



Manufactured by:  
Backyard Discovery  
3305 Airport Drive, Pittsburg, KS 66762  
800-856-4445

Basepoint Business Centre: Rivermead Drive, Westlea, Swindon SN5 7EX Phone: 0800-118-2476 J.P. Coenstraat 7, The Bridge, The Hague, 2595 WP, Netherlands Phone: 08005678990

# ARGENTINE SANTA MARIA HERITAGE GRILL

## MODEL # : 2404052



Please visit [www.backyarddiscovery.com](http://www.backyarddiscovery.com)  
For the most up to date assembly manual, to register your product, or to order replacement parts *Para obtener instrucciones en español, visite*  
[www.backyarddiscovery.com](http://www.backyarddiscovery.com)



EASY STEP-BY-STEP  
3D INTERACTIVE INSTRUCTIONS  
DOWNLOAD THE FREE APP



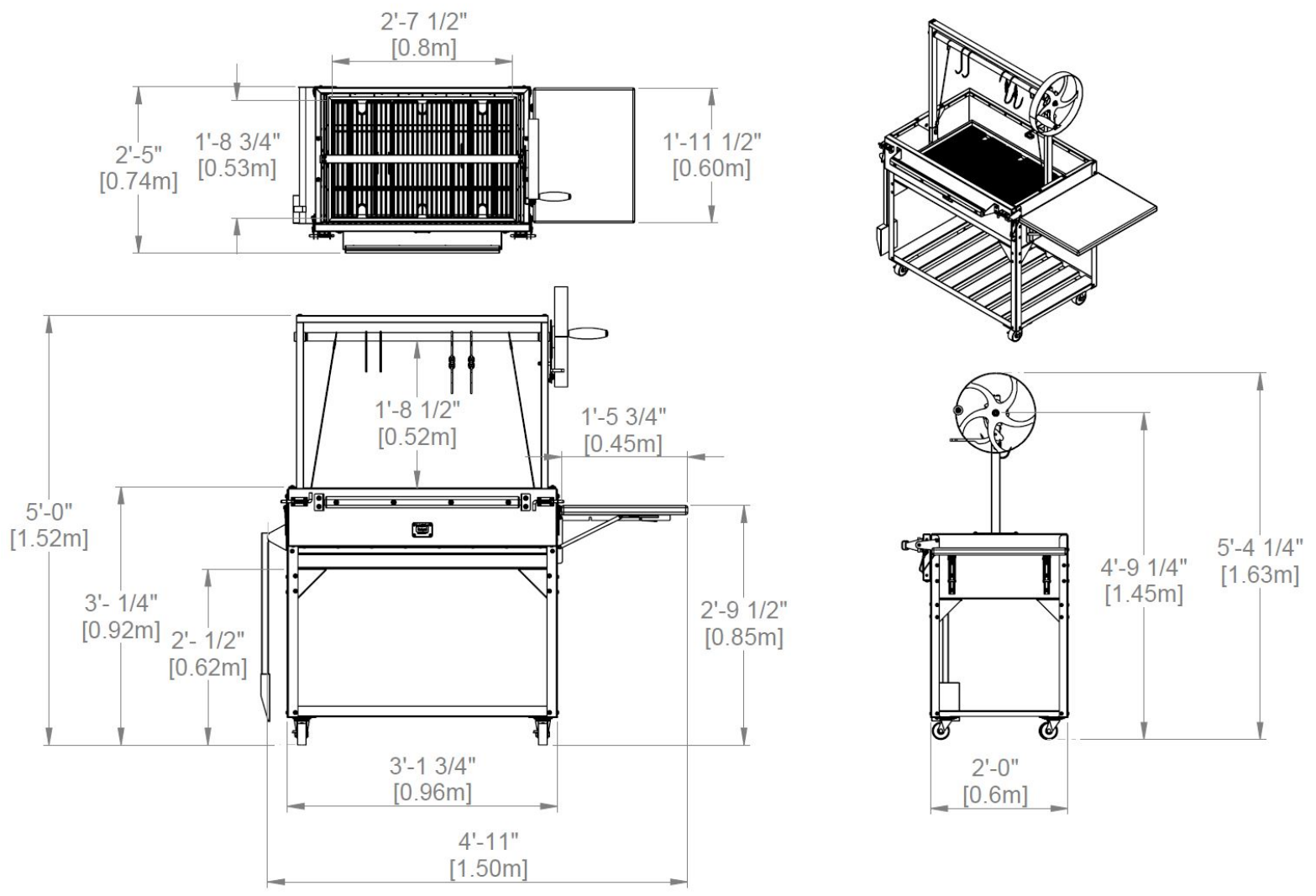
# OWNER'S MANUAL - BASIC SETUP DIMENSIONS & ASSEMBLY NOTES

It is critically important that you start with square and level footings, concrete pad or deck to attach your structure

- Pay close attention to the items needed for each step. Make sure you are using the correct hardware for each step. Using incorrect hardware may result in improper assembly

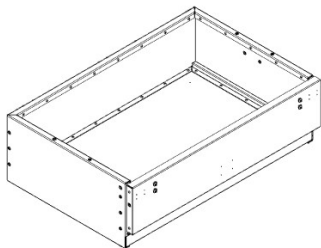
Post mounts are provided with your structure which allows you to permanently install your structure to a pre-existing or new wood or concrete surface. See Anchor Instructions for further details and recommendations.

- The hardware to attach the post mounts to the structure is included.
- The hardware to mount the structure permanently to a concrete surface is included.
- The hardware to mount the structure permanently to a wood deck is NOT included and will need to be purchased separately. You must ensure there is ample structural support under the deck before permanently attaching.

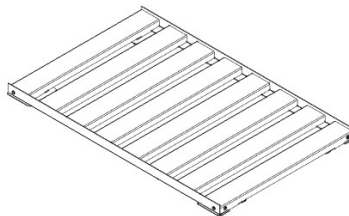


# OWNER'S MANUAL - PARTS IDENTIFICATION

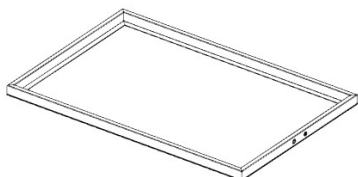
## METAL COMPONENTS (NOT TO SCALE)



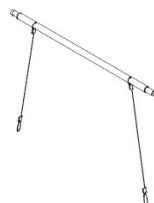
C01 COAL PAN ASSEMBLY - A4M02755  
(x1) 11 1/2"x25 1/4"x37 11/16" (292x642x957)



B02 BOTTOM RACK ASSEMBLY - A4M02757  
(x1) 1 5/8"x24 1/16"x37 7/8" (40.5x611.5x962.5)



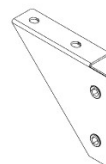
G01 GRATE TRAY ASSEMBLY - A4M02144  
(x1) 1 1/4"x21 13/16"x33 1/16" (31.80x554x839)



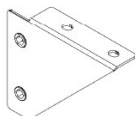
S01 SPINDLE ASSEMBLY - A4M02150  
(x1) 1 3/16"x37 5/8" (30x955)



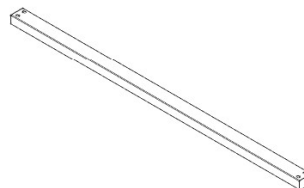
W01 WHEEL ASSEMBLY - A4M02146  
(x1) 2 3/8"x7" (59.7x178)



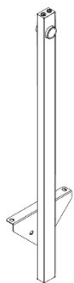
B01 LEG BRACE - A4M02136  
(x4) 1 1/8"x4"x4 15/16" (28x102x125)



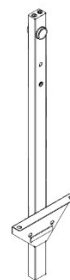
B04 LEG BRACE - A4M02387  
(x4) 1 1/8"x4"x4 15/16" (28x102x125)



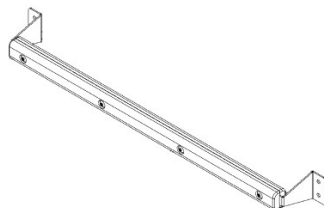
U03 TOP RAIL - A4M02149  
(x1) 1"x1 1/2"x35 1/4" (25x38x896)



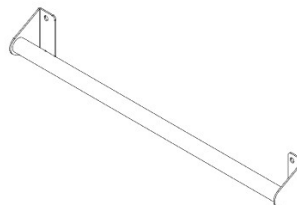
U01 UPRIGHT ASSEMBLY - A4M02758  
(x1) 2 5/16"x7 7/8"x31" (58.8x200x788)



U02 UPRIGHT ASSEMBLY - A4M02759  
(x1) 2 5/16"x7 7/8"x31" (58.8x200x788)



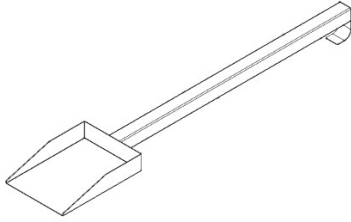
H01 DOOR HANDLE ASSEMBLY - A4M02761  
(x1) 2 3/8"x3 3/4"x30 1/4" (60x95x769)



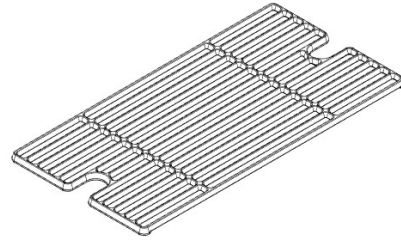
H03 HANDLE ASSEMBLY - A4M02152  
(x1) 2 3/4"x3 3/4"x23 15/16" (70x94.5x609)

# OWNER'S MANUAL - PARTS IDENTIFICATION

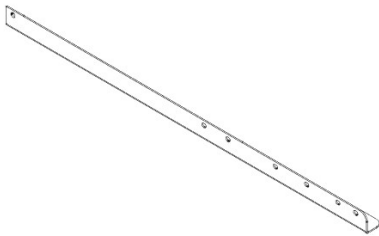
## METAL COMPONENTS (NOT TO SCALE)



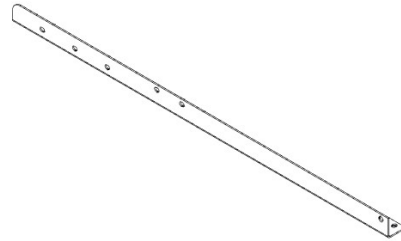
SH01 SHOVEL - A4M02513  
(x1) 2 1/4"x4 7/8"x31 5/16" (57x124x798)



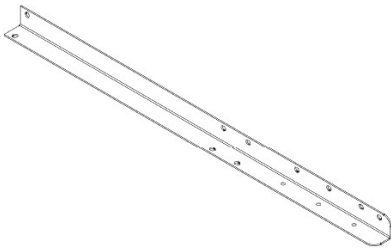
G02 GRATE - A4M02145  
(x3) 7/16"x10 1/2"x20 1/2" (12x266x520)



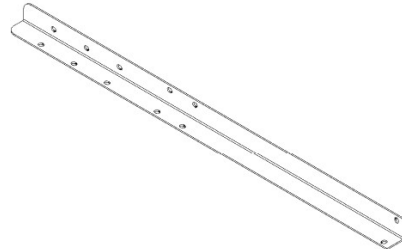
L01 LEG - A4M02414  
(x1) 1 1/2"x1 1/2"x31 13/16" (38x38x808)



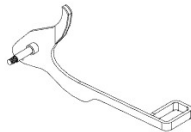
L02 LEG - A4M02415  
(x1) 1 1/2"x1 1/2"x31 13/16" (38x38x808)



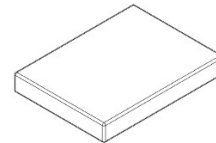
L03 LEG - A4M02416  
(x1) 1 1/2"x1 1/2"x31 13/16" (38x38x808)



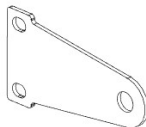
L04 LEG - A4M02417  
(x1) 1 1/2"x1 1/2"x31 13/16" (38x38x808)



H02 SPROCKET HANDLE ASSEMBLY - A4M02760  
(x1) 3 5/8"x4 1/2"x9 5/16" (92x115x236)



0729 FIRE BRICK - A6P00729  
(x32) 13/16"x4 3/16"x5 9/16" (20x107x142)



B03 LATCH BRACKET - A4M02413  
(x2) 1/8"x2 3/16"x4 1/8" (2.5x56x104)



S02 SPROCKET - A4M02147  
(x1) 3/16"x4 11/16"x4 11/16" (4x119x119)

# OWNER'S MANUAL - PARTS IDENTIFICATION

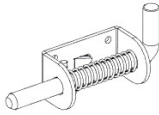
## METAL COMPONENTS (NOT TO SCALE)



MH01 MEAT HOOK - A4M02402  
(x2) 3/16"x3 7/8"x5 11/16" (5x98x145)



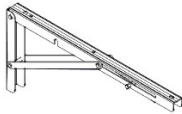
MH02 MEAT HOOK - A4M02407  
(x2) 3/16"x3"x8 13/16" (5x77x224)



DL01 DOOR LATCH - A4M02496  
(x2) 1 5/16"x1 7/8"x4 3/8" (33x47x111)



B05 UPRIGHT CABLE BRACKET - A4M02270  
(x2) 1 3/16"x2 15/16"x5 11/16" (30x74.5x143.8)



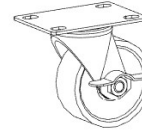
2094 FOLDING TABLE BRACKET - A4M02094  
(x2) 1 3/8"x6 13/16"x15 15/16" (34x173x405)



S03 SPRING - A4M02506  
(x1) 1/16"x7/16"x1 13/16" (1.5x11x46)



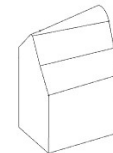
DC01 DOOR CABLE - A4M02504  
(x2) 1/8"x9 7/16" (2.5x240)



A4M02605 CASTER  
(x4)



A4M02499 BUSHING  
(x4)

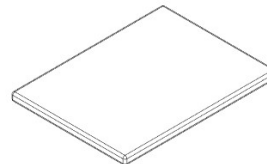


A6P00894 GRILL COVER  
(x1)

## WOOD COMPONENTS (NOT TO SCALE)



H04 WHEEL HANDLE - W4L19101  
(x1) 1 9/16"x5 1/8" (40x130)



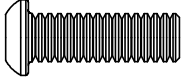
T01 TABLE TOP - W4L18241  
(x1) 1 1/4"x17 11/16"x23 5/8" (32x450x600)

# OWNER'S MANUAL - PARTS IDENTIFICATION

## HARDWARE COMPONENTS



**H101264 | TORX PAN HEAD**  
(x80) | 1/4-20 x 3/4" BLK (LOCTITE)



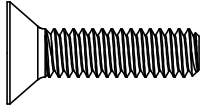
**H101265 | TORX PAN HEAD**  
(x13) | 1/4-20 x 3/4" SS (LOCTITE)



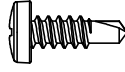
**H101279 | TORX PAN HEAD**  
(x4) | 1/4-20 x 1" BLK (LOCTITE)



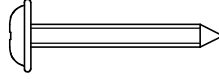
**H101200 | TORX PAN HEAD**  
(x4) | 1/4-20 x 2" SS (LOCTITE)



**H101266 | SCREW TFH**  
(x6) | 1/4-20 x 1 BLK (LOCTITE)



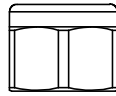
**H101159 | PHILLIPS ROUNDED HEAD**  
(x8) | 8-18 x 1/2" BLK



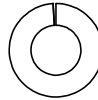
**H100797 | SCREW PWH**  
(x6) | 8 x 1 BLK



**H101273 | HEX JAM NUT**  
(x1) | 1/4-20 SS (LOCTITE)



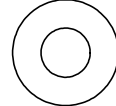
**H101274 | NUT LOCK**  
(x1) | 3/8-16 SS



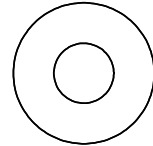
**H101182 | WASHER SPLIT**  
(x5) | 1/4 SS



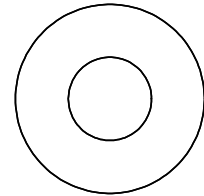
**H101183 | WASHER FLAT**  
(x18) | 8x16 SS



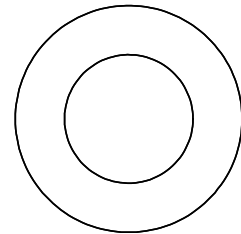
**H101280 | WASHER FLAT**  
(x84) | 7x14 SS



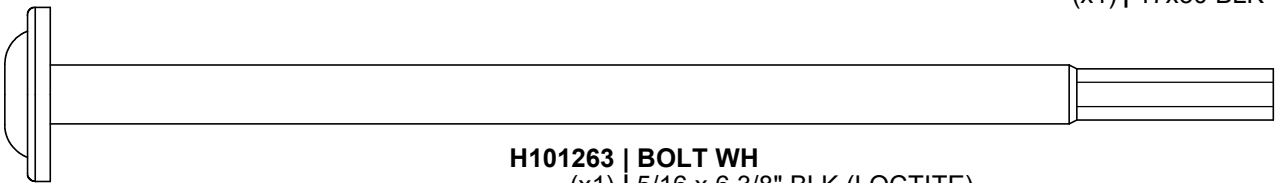
**H100630 | WASHER FLAT**  
(x2) | 8x19 BLK



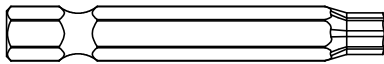
**H101167 | WASHER FLAT**  
(x1) | 11x25 BLK



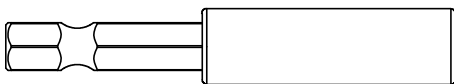
**H100497 | WASHER FLAT**  
(x1) | 17x30 BLK



**H101263 | BOLT WH**  
(x1) | 5/16 x 6 3/8" BLK (LOCTITE)



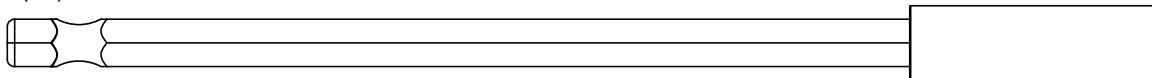
**H100147 | TORX BIT**  
(x1) T-30



**H101100 | MAGNETIC DRIVER**  
(x1)



**H100114 | TORX WRENCH**  
(x1) | T-30



**H101278 | 6" MAGNETIC DRIVER EXTENSION**  
(x1)

# PRE-ASSEMBLY STEP 1 - SORTING PARTS

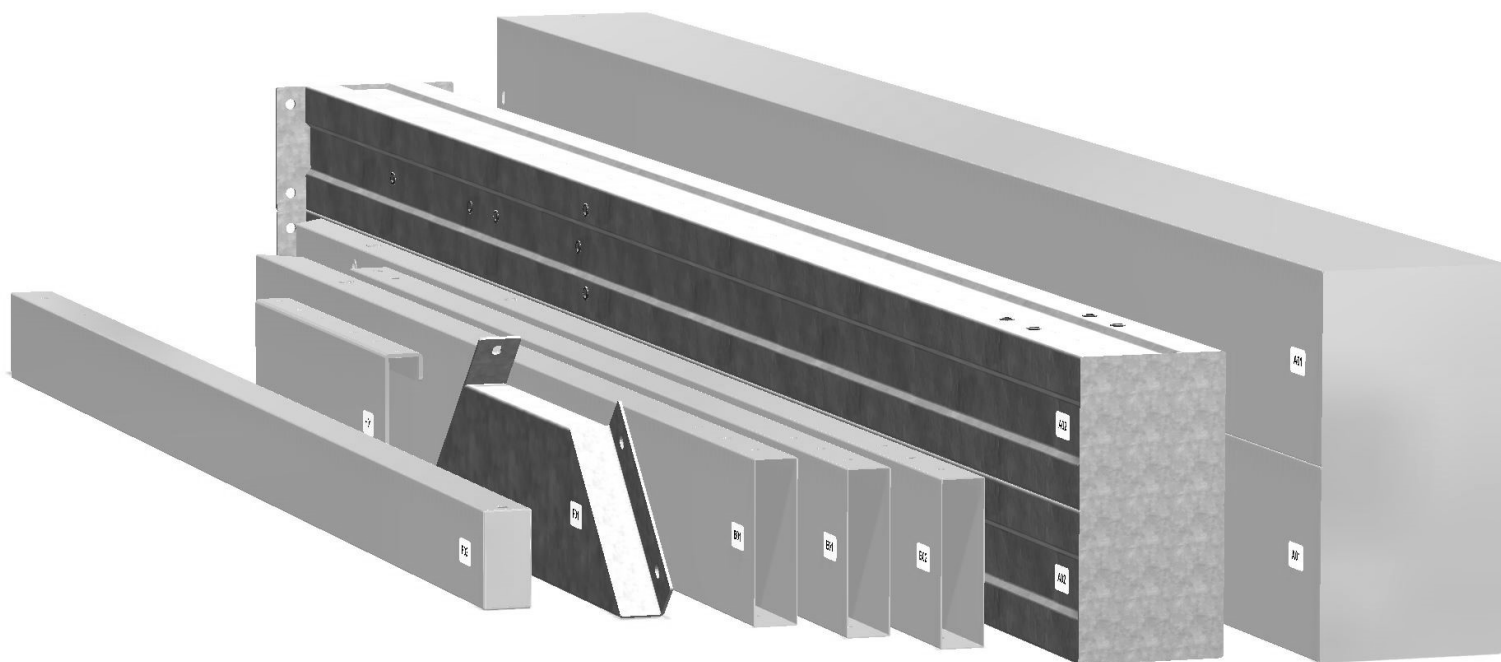
It is critical for ease of assembly that you take the time to sort and organize the parts and hardware.

---

## METAL PARTS:

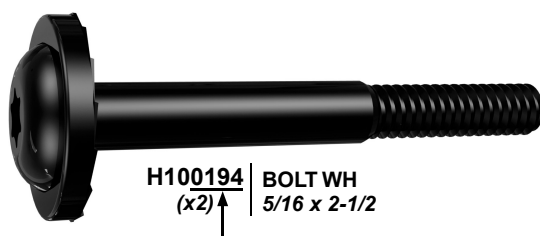
- Organize metal parts by the three-digit, alpha-numeric number stamped on each part (ex. P01).
- If there are multiple parts with the same stamped number, stack those pieces together.
- Stamps can be found on the flat surface of the parts or on the end of the parts.
- Allow yourself plenty of room - the parts can take up a significant amount of space.

**NOTE: CARTONS ARE NOT ORGANIZED BY PART NUMBER.**



## HARDWARE PARTS:

- We recommend that you have a separate table to organize the hardware.
- Hardware bags are printed with a seven-digit, alpha-numeric part number.
- You can organize your hardware by part number or group by hardware type (i.e. bolts, nuts, etc.).
- During assembly you only need to reference the last four digits of the number.



# PRE-ASSEMBLY STEP 2 - TOOLS REQUIRED



Cordless Drill or Electric Drill



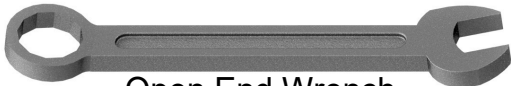
Drill Attachments:  
Phillips Head



1/8", 3/16", 3/8" & 7/16" Drill Bits



Phillips Screw Driver



Open End Wrench  
7/16"



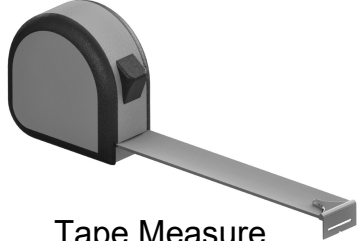
3/8" Drive Ratchet, 1/2" & 7/16" STD Sockets 1/2" & 7/16" Deep Sockets



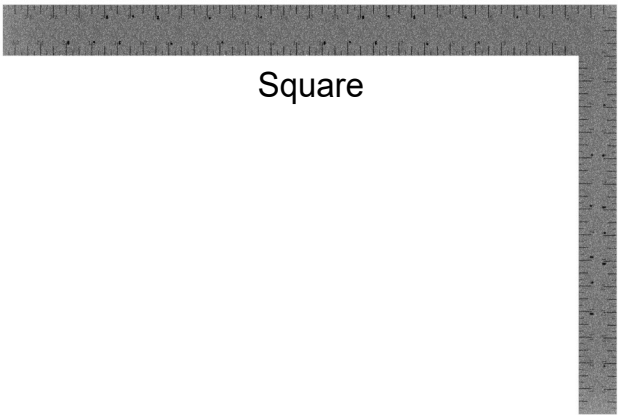
Claw Hammer



Rubber Mallet -  
Optional



Tape Measure



Square




Level 24"

# PRE-ASSEMBLY STEP 3 - CHOOSE YOUR ASSEMBLY METHOD

There are several types of assembly instructions available to you.

1. Printed Assembly Manual included with your set
2. BILT APP - 3D interactive instructions
3. Combination of the Printed Manual and BILT APP (Note: Step numbers can differ between the two methods)




**BILT.**

Scan for easy  
**3D instructions**

Download the BILT app  
before you begin

Download on the  
App Store

GET IT ON  
Google Play



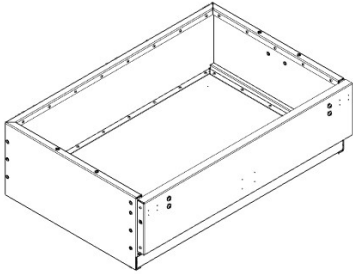
Hardware Needed

17

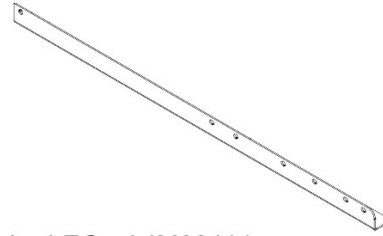
The image shows a smartphone screen displaying a 3D assembly instruction. The screen features a 3D model of a metal frame with a horizontal beam and several hanging components. A 'Hardware Needed' button is visible in the top left corner of the app interface. The step number '17' is shown in a circle in the bottom left corner. Navigation icons for back, play/pause, and forward are located at the bottom of the screen.

# STEP 1A - CART ASSEMBLY

QTY	PART NUMBER	DESCRIPTION
1	H101266	SCREW TFH 1/4-20 X 1 BLK (LOCTITE)

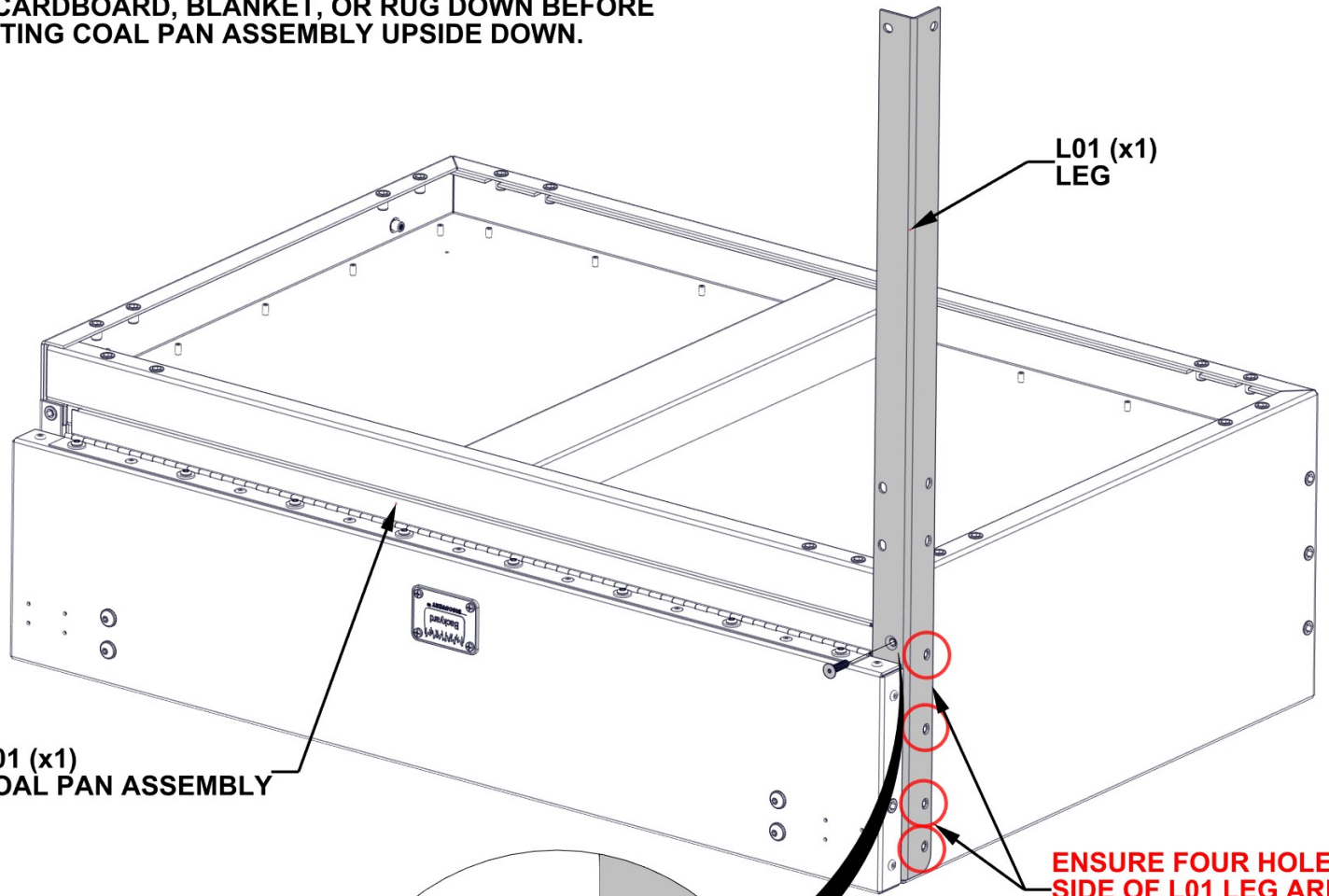


C01 COAL PAN ASSEMBLY - A4M02755  
(x1) 11 1/2"x25 1/4"x37 11/16" (292x642x957)



L01 LEG - A4M02414  
(x1) 1 1/2"x1 1/2"x31 13/16" (38x38x808)

- PLACE COAL PAN ASSEMBLY UPSIDE DOWN AND ATTACH LEG AS SHOWN BELOW.
- FOR EASE OF ASSEMBLY, WE RECOMMEND USING SAWHORSES FOR STEPS 1-7.
- IF ASSEMBLING ON THE GROUND, LAY A PIECE OF CARDBOARD, BLANKET, OR RUG DOWN BEFORE SETTING COAL PAN ASSEMBLY UPSIDE DOWN.

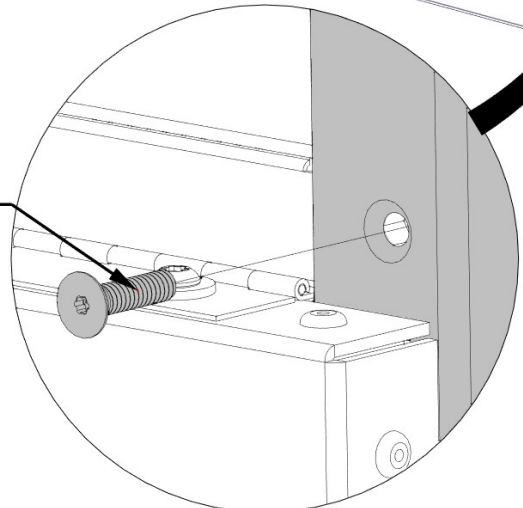


L01 (x1)  
LEG

C01 (x1)  
COAL PAN ASSEMBLY

**ENSURE FOUR HOLES ON SIDE OF L01 LEG ARE LEFT OPEN AS SHOWN**

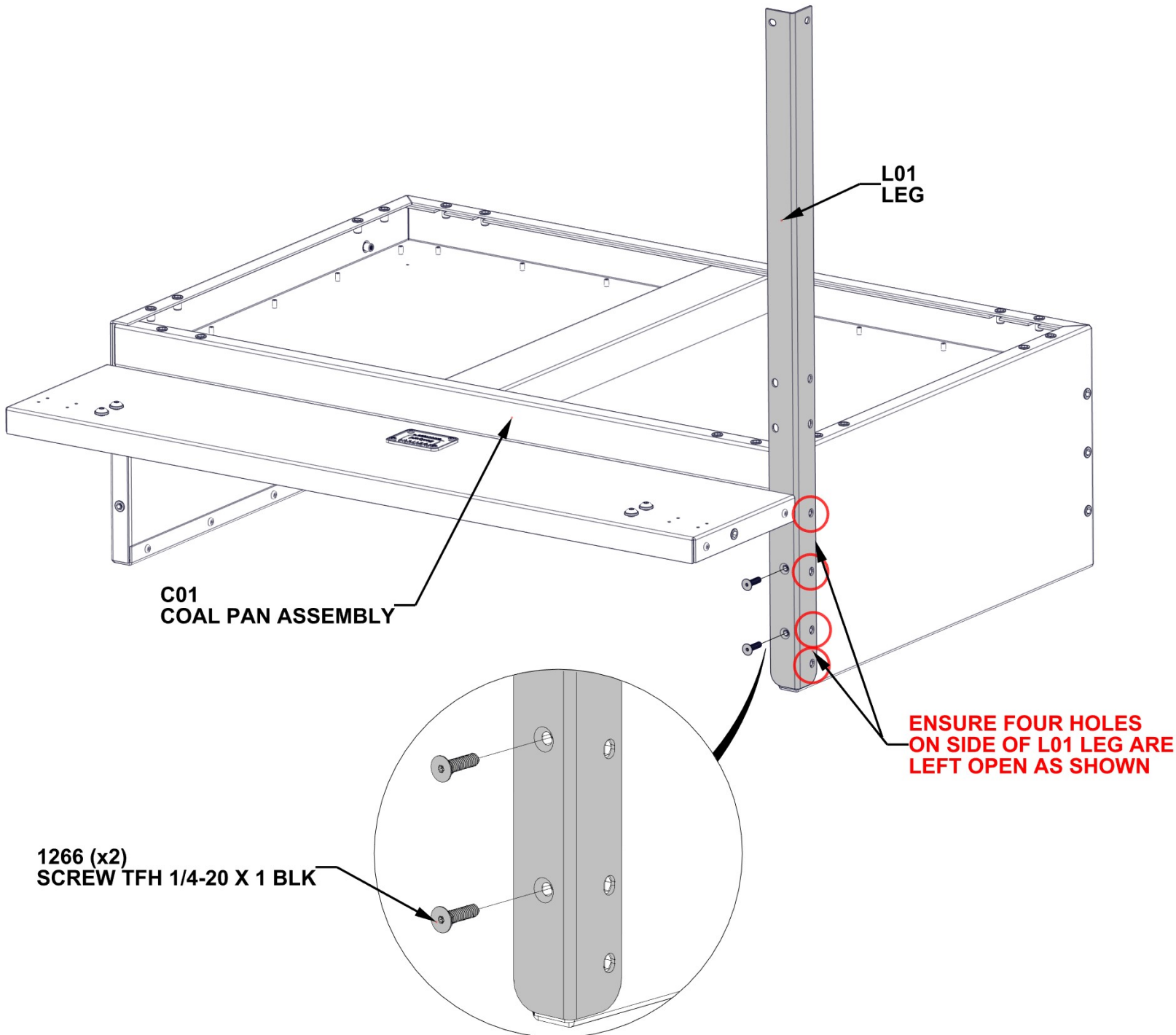
1266 (x1)  
SCREW TFH 1/4-20 X 1 BLK



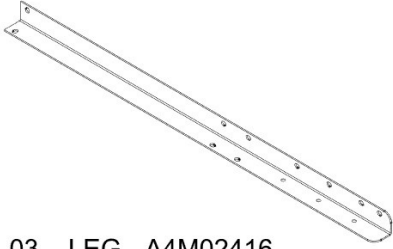
# STEP 1B - CART ASSEMBLY

QTY	PART NUMBER	DESCRIPTION
2	H101266	SCREW TFH 1/4-20 X 1 BLK (LOCTITE)

**- OPEN COAL PAN ASSEMBLY DOOR AND ATTACH LEG HARDWARE AS SHOWN BELOW.**



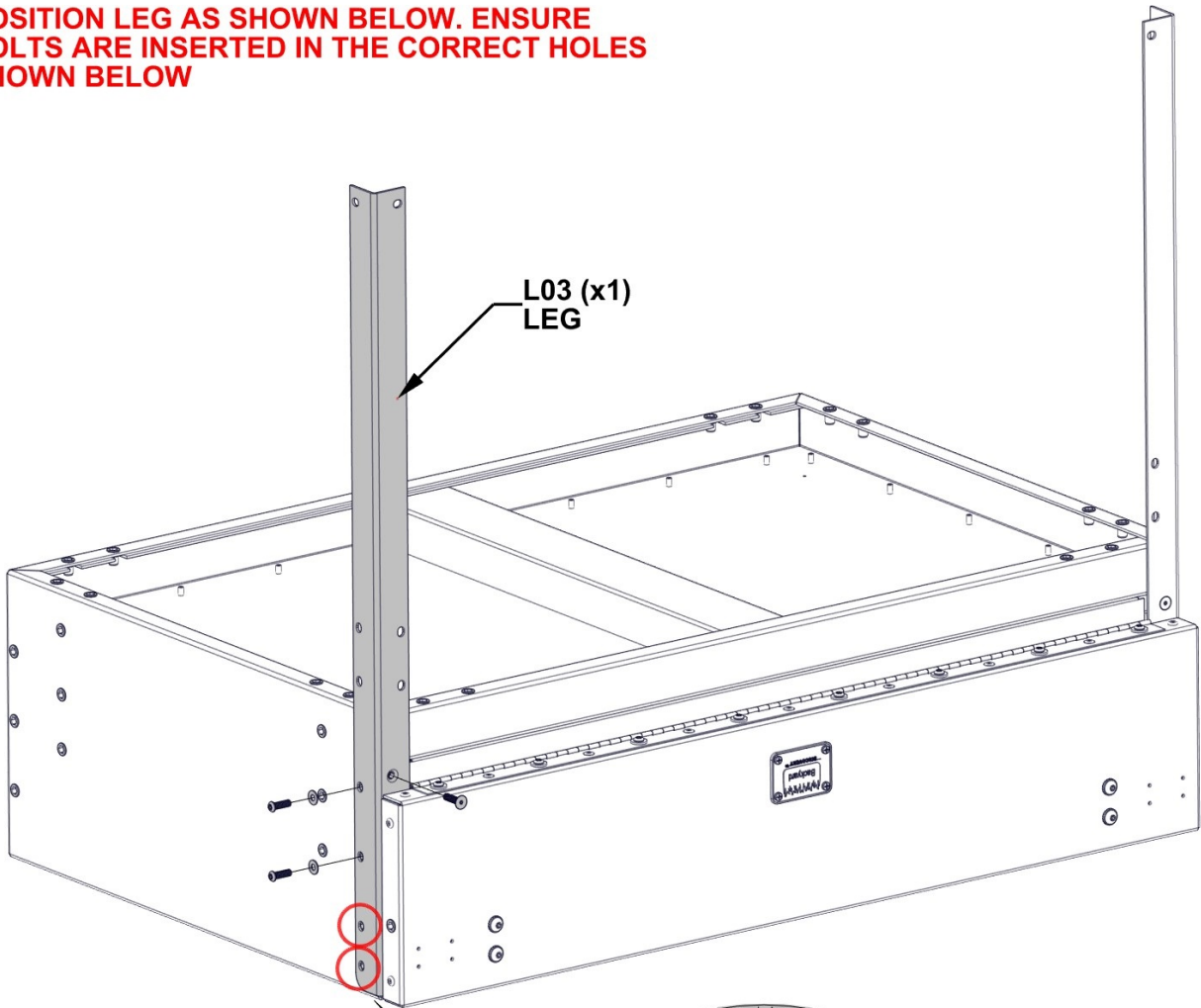
# STEP 2A - CART ASSEMBLY



L03 LEG - A4M02416  
 (x1) 1 1/2"x1 1/2"x31 13/16" (38x38x808)

QTY	PART NUMBER	DESCRIPTION
1	H101266	SCREW TFH 1/4-20 X 1 BLK (LOCTITE)
2	H101264	TORX PAN HEAD 1/4-20x3/4" BLK (LOCTITE)
2	H101280	WASHER FLAT 7x14 SS

**- POSITION LEG AS SHOWN BELOW. ENSURE BOLTS ARE INSERTED IN THE CORRECT HOLES SHOWN BELOW**



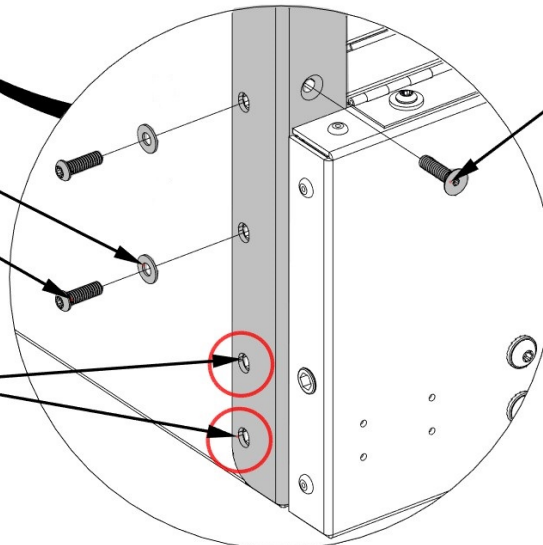
L03 (x1)  
LEG

1280 (x2)  
WASHER - 7x14

1266 (x1)  
SCREW TFH 1/4-20 X 1 BLK

1264 (x2)  
TORX PAN HEAD 1/4-20x3/4" BLK

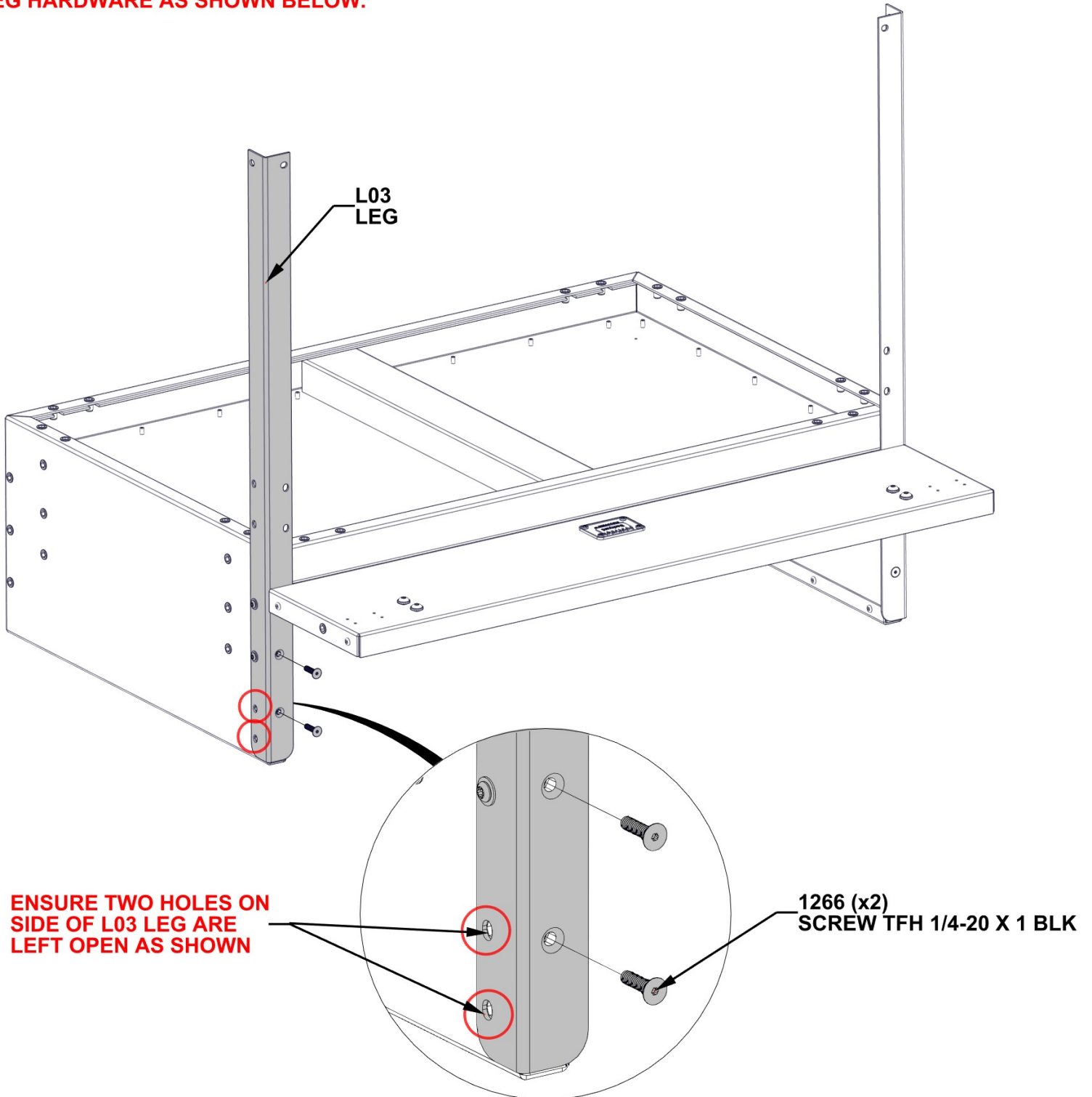
**ENSURE TWO HOLES ON SIDE OF L03 LEG ARE LEFT OPEN AS SHOWN**



# STEP 2B - CART ASSEMBLY

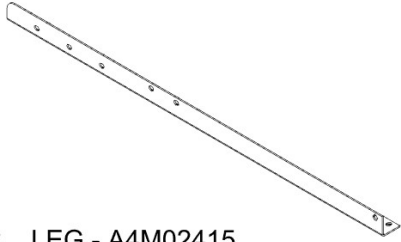
QTY	PART NUMBER	DESCRIPTION
2	H101266	SCREW TFH 1/4-20 X 1 BLK (LOCTITE)

- OPEN COAL PAN ASSEMBLY DOOR AND ATTACH LEG HARDWARE AS SHOWN BELOW.

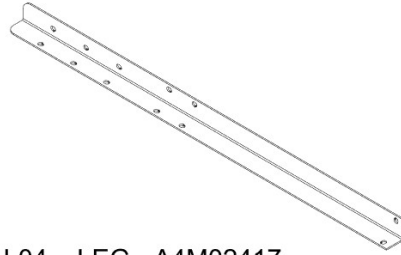


# STEP 3 - CART ASSEMBLY

QTY	PART NUMBER	DESCRIPTION
10	H101280	WASHER FLAT 7x14 SS
10	H101264	TORX PAN HEAD 1/4-20x3/4" BLK (LOCTITE)

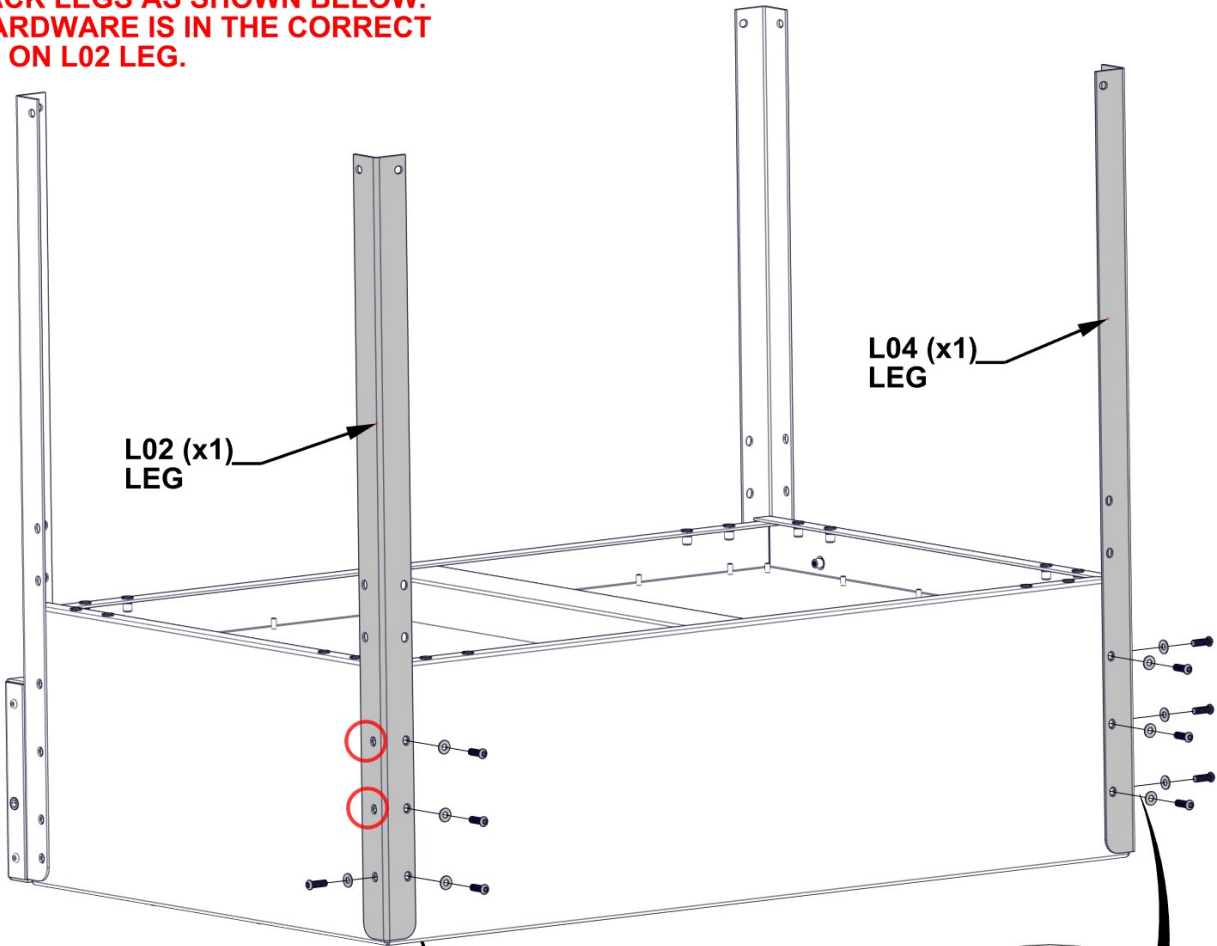


L02 LEG - A4M02415  
(x1) 1 1/2"x1 1/2"x31 13/16" (38x38x808)



L04 LEG - A4M02417  
(x1) 1 1/2"x1 1/2"x31 13/16" (38x38x808)

**- INSTALL BACK LEGS AS SHOWN BELOW.  
ENSURE HARDWARE IS IN THE CORRECT  
LOCATIONS ON L02 LEG.**



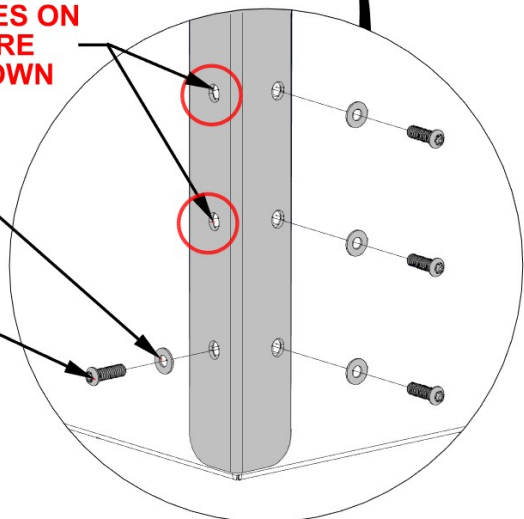
L02 (x1)  
LEG

L04 (x1)  
LEG

**ENSURE TWO HOLES ON  
SIDE OF L02 LEG ARE  
LEFT OPEN AS SHOWN**

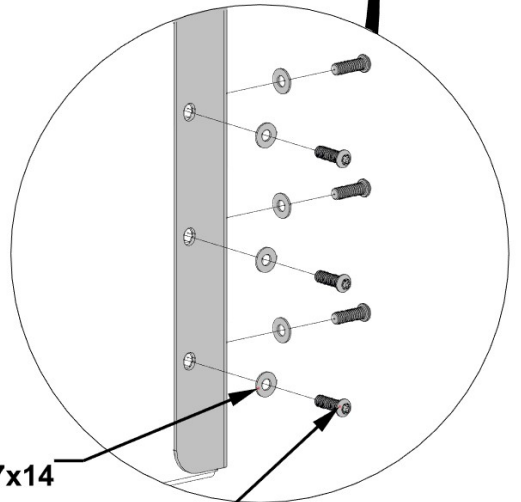
1280 (x4)  
WASHER - 7x14

1264 (x4)  
TORX PAN HEAD  
1/4-20x3/4" BLK

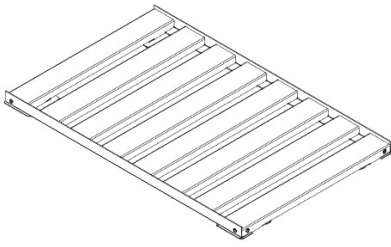


1280 (x6)  
WASHER - 7x14

1264 (x6)  
TORX PAN HEAD  
1/4-20x3/4" BLK



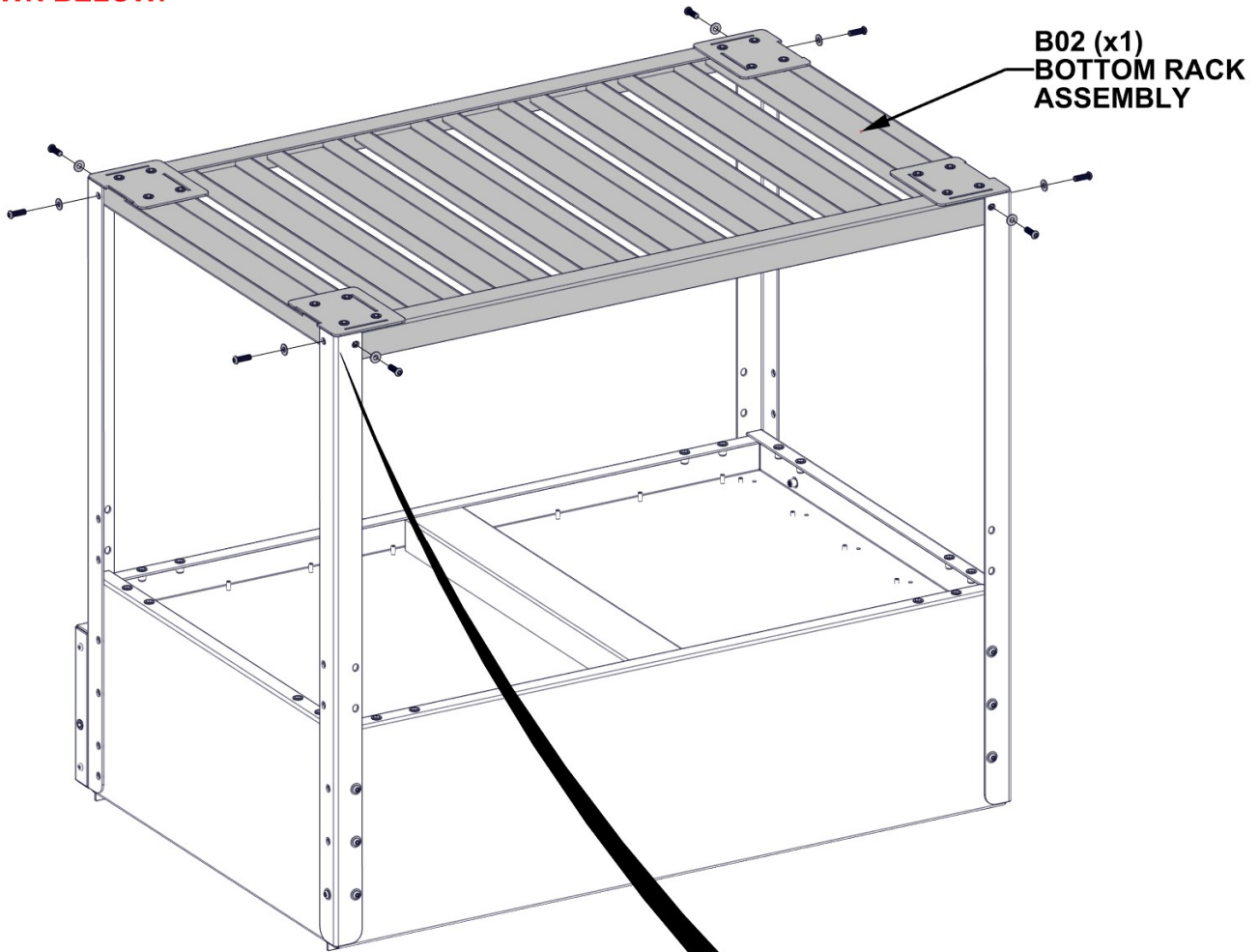
# STEP 4 - CART ASSEMBLY



QTY	PART NUMBER	DESCRIPTION
8	H101264	TORX PAN HEAD 1/4-20x3/4" BLK (LOCTITE)
8	H101280	WASHER FLAT 7x14 SS

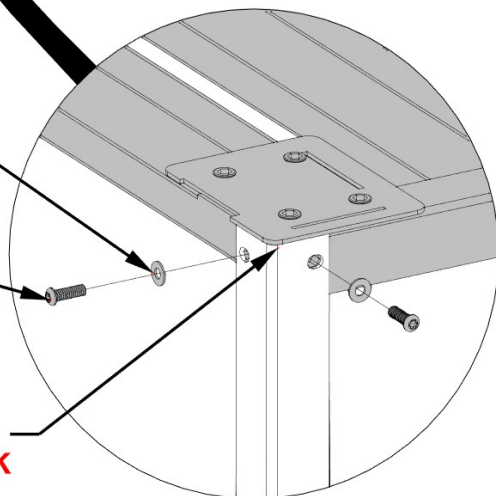
B02 BOTTOM RACK ASSEMBLY - A4M02757  
 (x1) 1 5/8"x24 1/16"x37 7/8" (40.5x611.5x962.5)

**- INSTALL BOTTOM RACK ASSEMBLY AS SHOWN BELOW.**



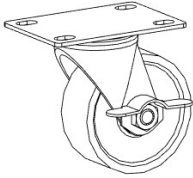
1280 (x8)  
 WASHER - 7x14

1264 (x8)  
 TORX PAN HEAD  
 1/4-20x3/4" BLK



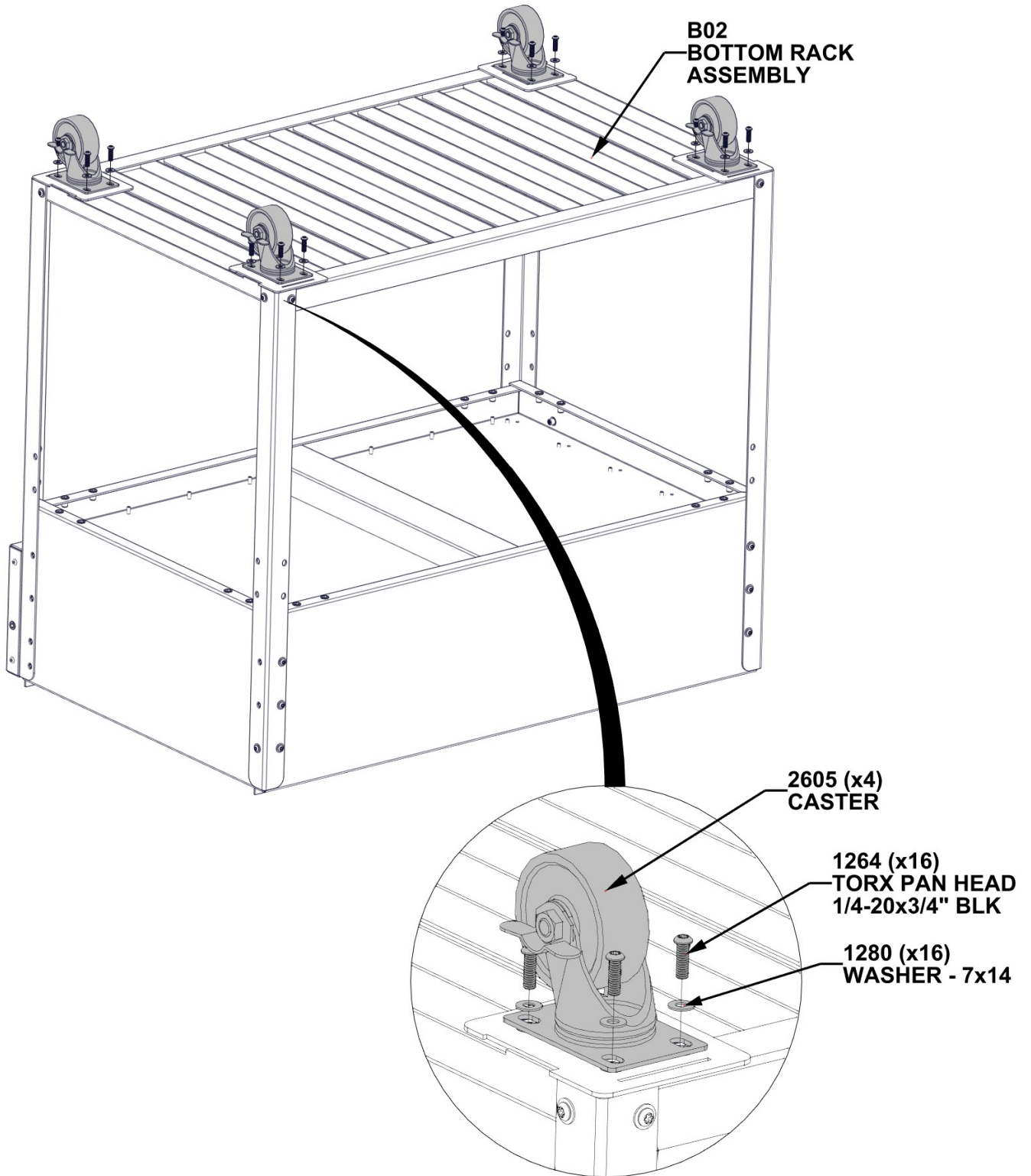
**CART LEGS  
 WILL REST ON  
 SURFACE OF RACK**

# STEP 5 - CART ASSEMBLY

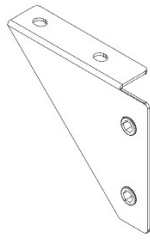


A4M02605 CASTER  
(x4)

QTY	PART NUMBER	DESCRIPTION
16	H101264	TORX PAN HEAD 1/4-20x3/4" BLK (LOCTITE)
16	H101280	WASHER FLAT 7x14 SS

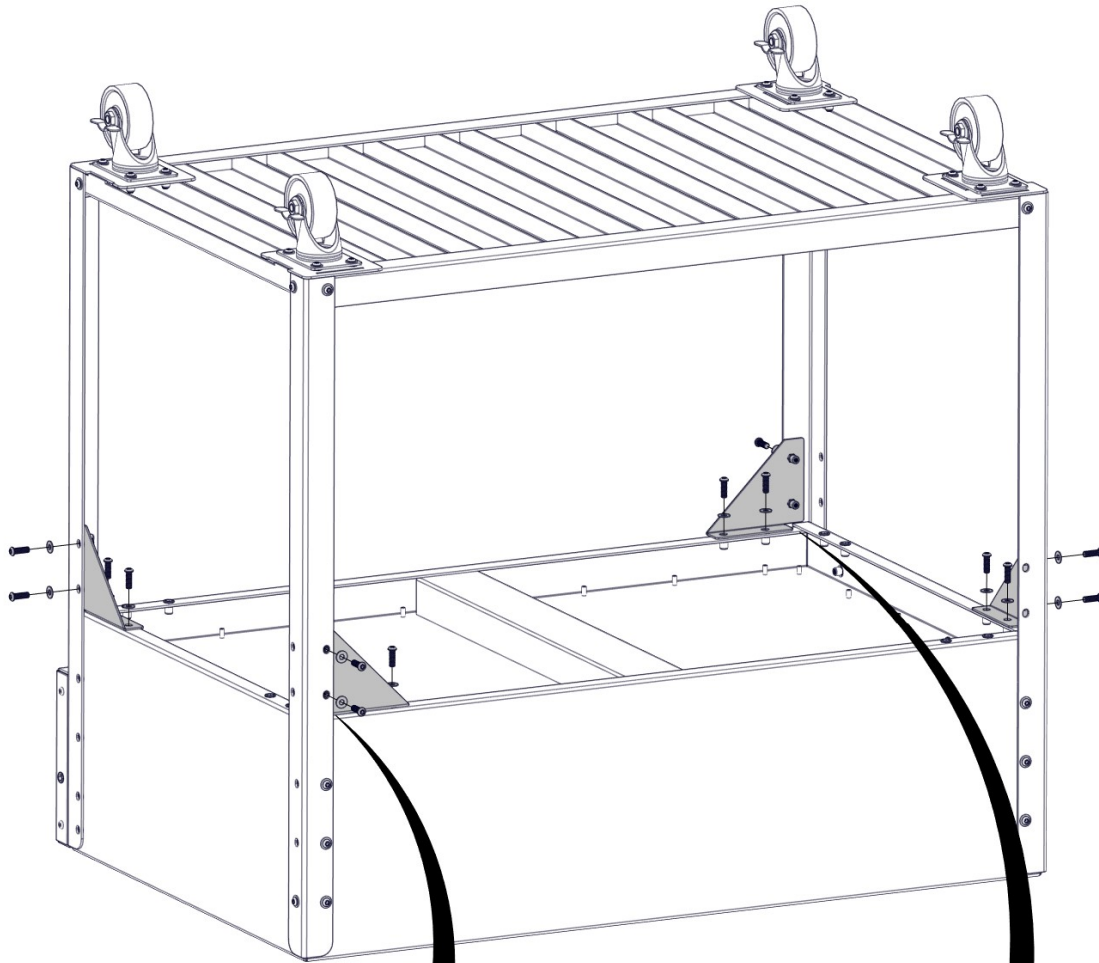


# STEP 6 - CART ASSEMBLY



QTY	PART NUMBER	DESCRIPTION
16	H101264	TORX PAN HEAD 1/4-20x3/4" BLK (LOCTITE)
16	H101280	WASHER FLAT 7x14 SS

B01 LEG BRACE - A4M02136  
 (x4) 1 1/8"x4"x4 15/16" (28x102x125)



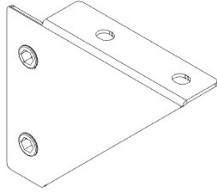
**HAND TIGHTEN ONLY**

1280 (x16)  
 WASHER - 7x14

1264 (x16)  
 TORX PAN HEAD  
 1/4-20x3/4" BLK

B01 (x4)  
 LEG BRACE

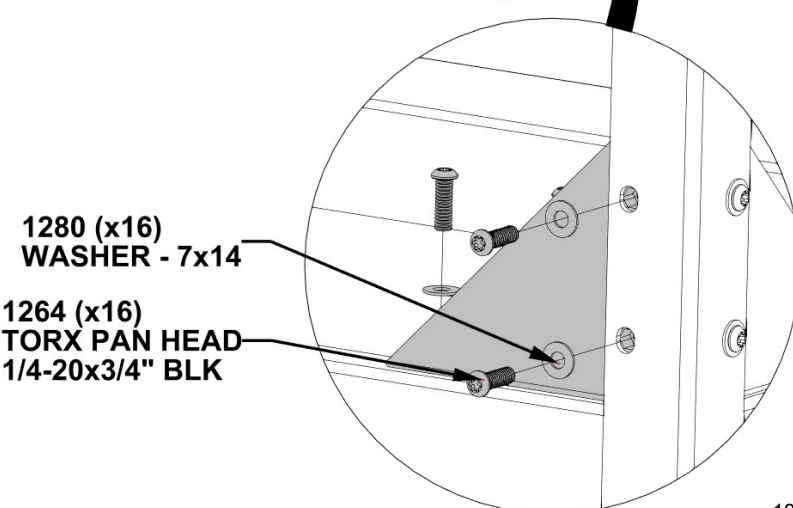
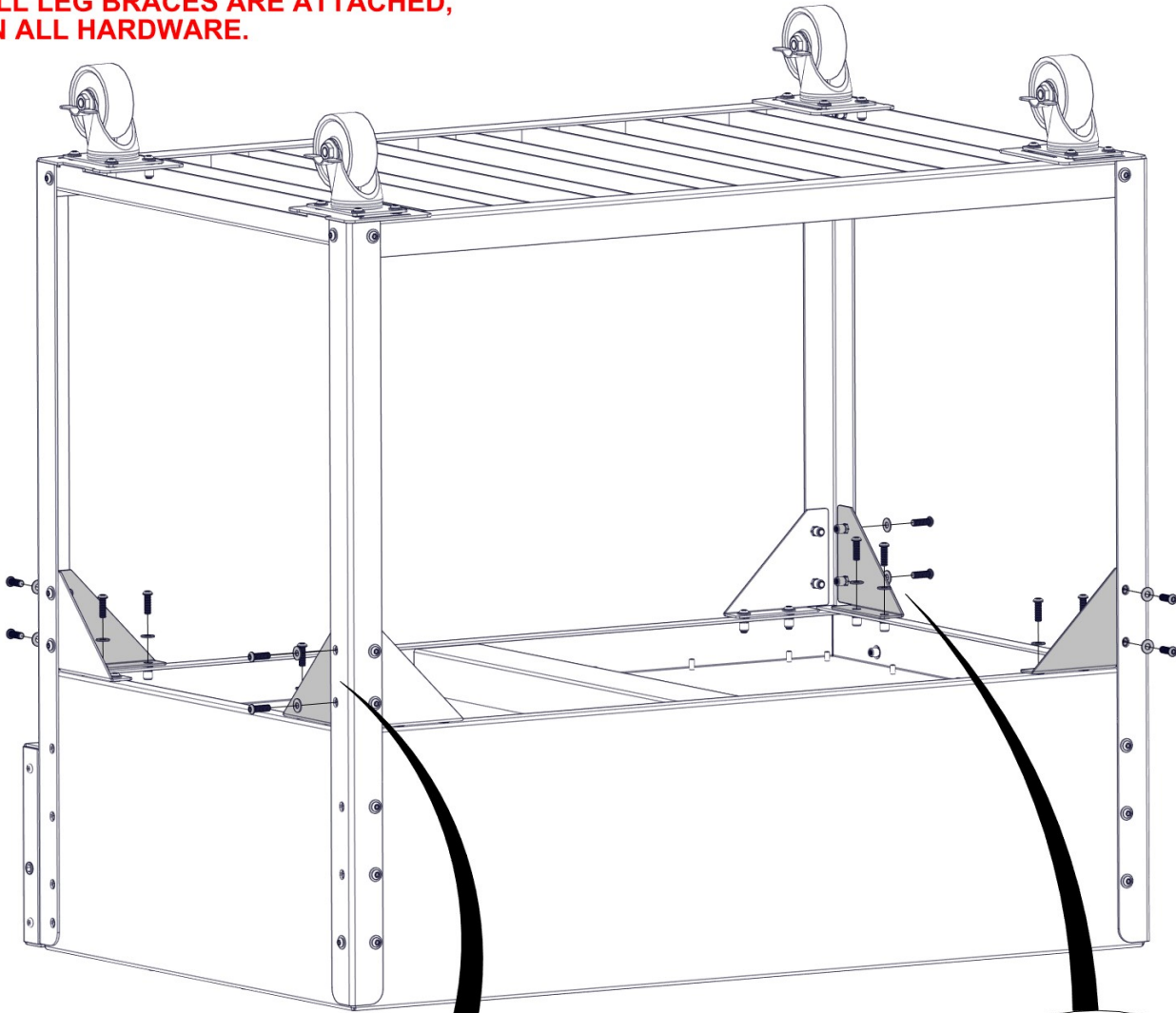
# STEP 7 - CART ASSEMBLY



QTY	PART NUMBER	DESCRIPTION
16	H101280	WASHER FLAT 7x14 SS
16	H101264	TORX PAN HEAD 1/4-20x3/4" BLK (LOCTITE)

B04 LEG BRACE - A4M02387  
 (x4) 1 1/8"x4"x4 15/16" (28x102x125)

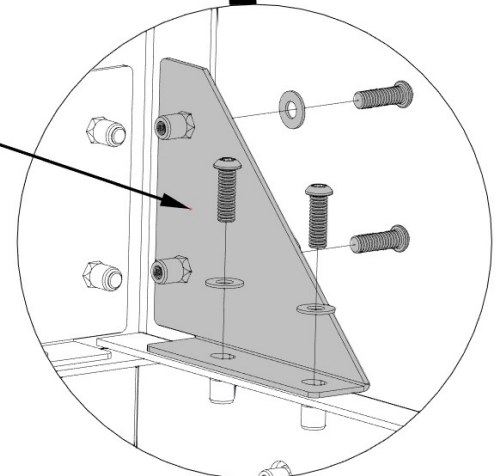
**- ONCE ALL LEG BRACES ARE ATTACHED,  
 TIGHTEN ALL HARDWARE.**



1280 (x16)  
 WASHER - 7x14

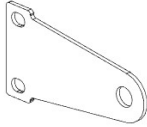
1264 (x16)  
 TORX PAN HEAD  
 1/4-20x3/4" BLK

B04 (x4)  
 LEG BRACE



# STEP 8 - CART ASSEMBLY

QTY	PART NUMBER	DESCRIPTION
2	H101264	TORX PAN HEAD 1/4-20x3/4" BLK (LOCTITE)
4	H101279	TORX PAN HEAD 1/4-20x1" (LOCTITE)
6	H101280	WASHER FLAT 7x14 SS

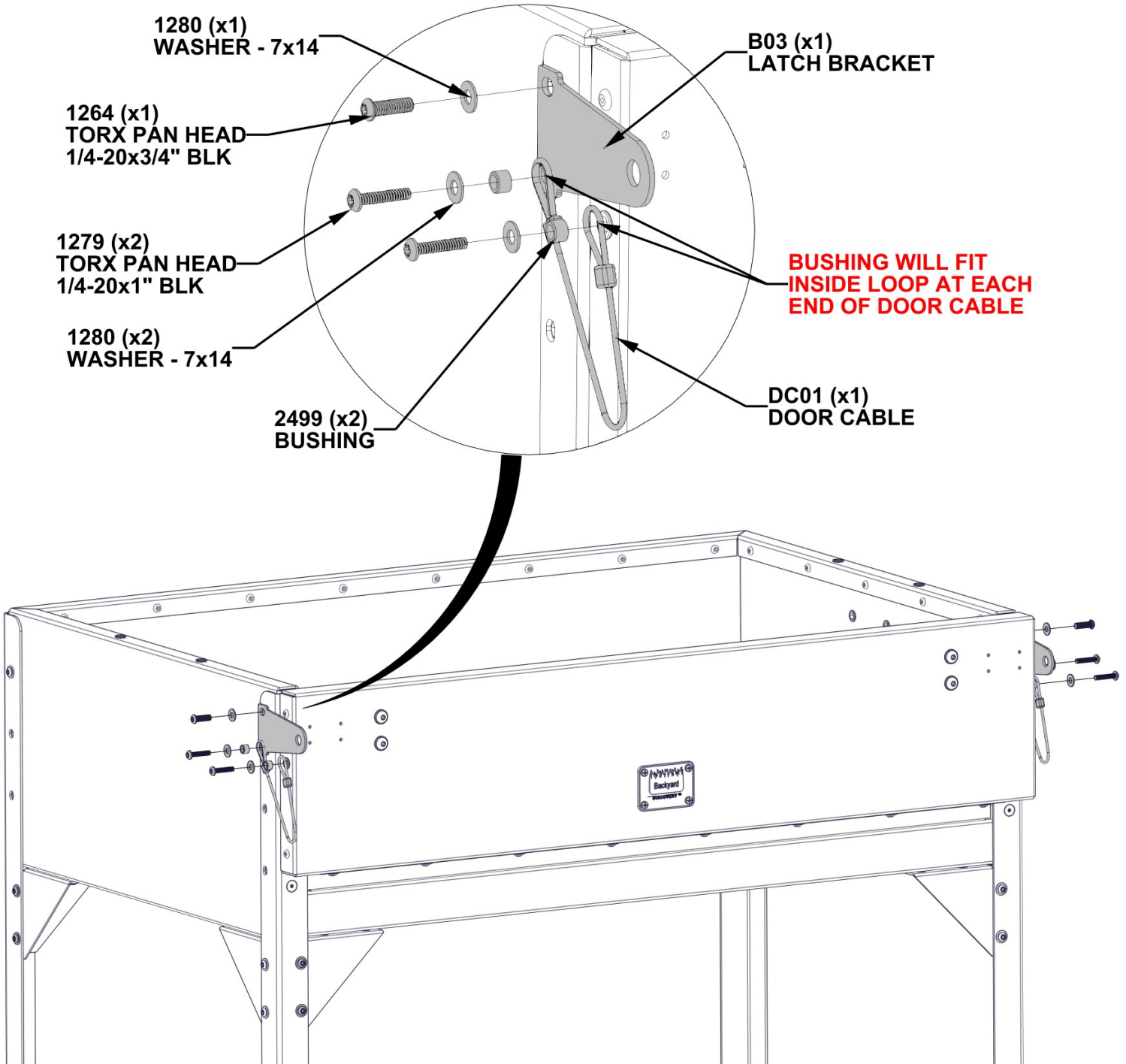


B03 LATCH BRACKET - A4M02413  
(x2) 1/8"x2 3/16"x4 1/8" (2.5x56x104)

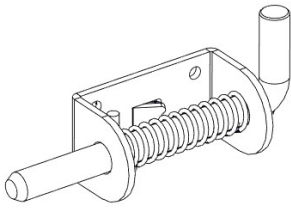
DC01 DOOR CABLE - A4M02504  
(x2) 1/8"x9 7/16" (2.5x240)

A4M02499 BUSHING  
(x4)

- WITH ATLEAST TWO PEOPLE, SET CART ASSEMBLY ON ALL FOUR CASTERS.
- ATTACH LATCH BRACKETS AS SHOWN.
- REPEAT THIS STEP ON BOTH SIDES OF COAL BOX DOOR.

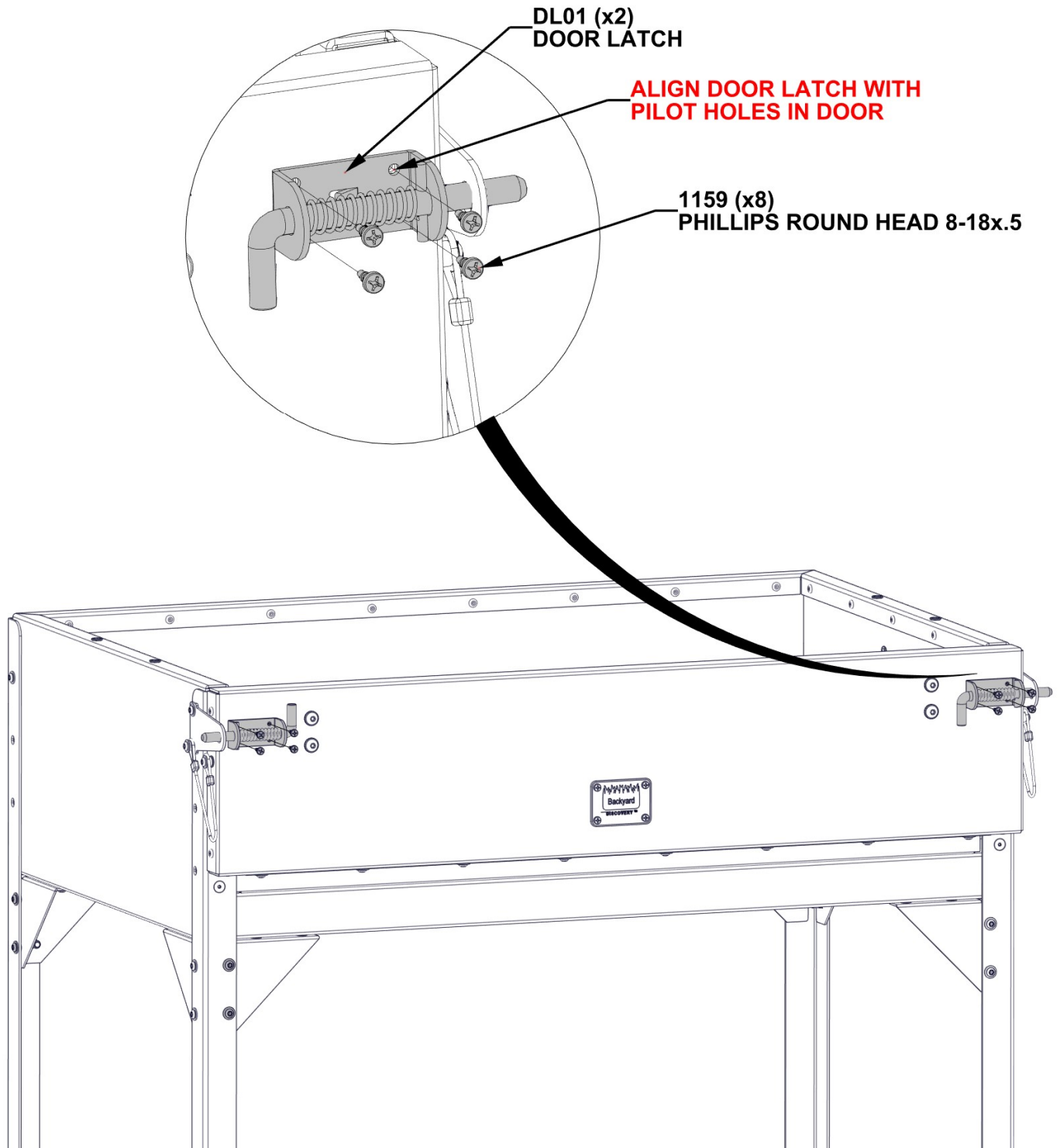


# STEP 9 - CART ASSEMBLY

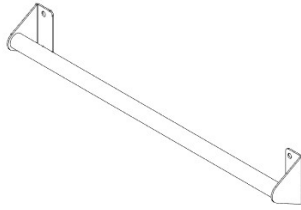


QTY	PART NUMBER	DESCRIPTION
8	H101159	PHILLIPS ROUND HEAD 8-18x.5

DL01 DOOR LATCH - A4M02496  
(x2) 1 5/16"x1 7/8"x4 3/8" (33x47x111)



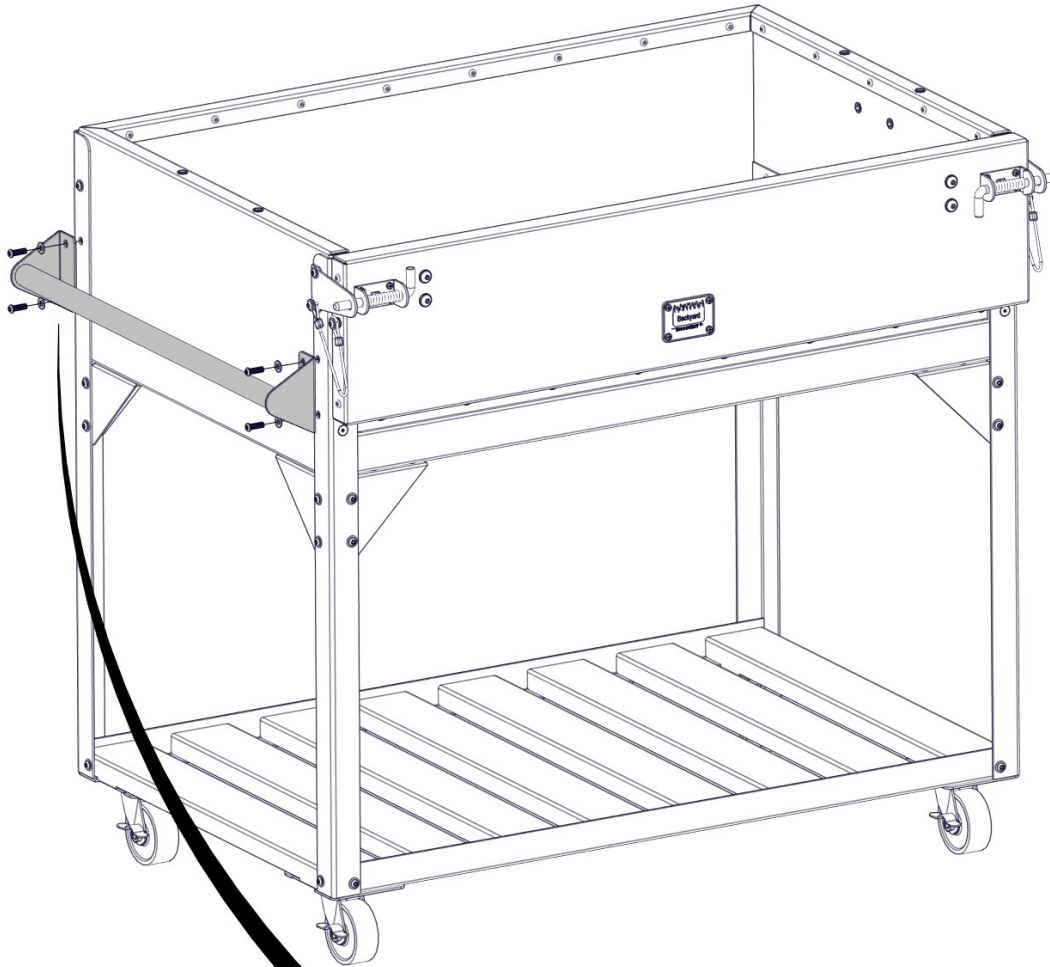
# STEP 10 - CART ASSEMBLY



QTY	PART NUMBER	DESCRIPTION
4	H101264	TORX PAN HEAD 1/4-20x3/4" BLK (LOCTITE)
4	H101280	WASHER FLAT 7x14 SS

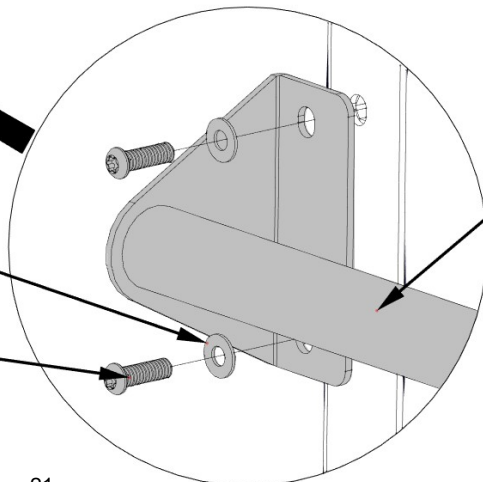
H03 HANDLE ASSEMBLY - A4M02152  
 (x1) 2 3/4"x3 3/4"x23 15/16" (70x94.5x609)

**- ATTACH HANDLE ASSEMBLY AS SHOWN BELOW.**



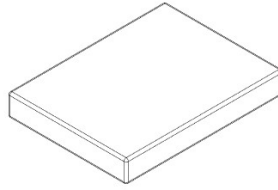
1280 (x4)  
 WASHER - 7x14

1264 (x4)  
 TORX PAN HEAD  
 1/4-20x3/4"



H03 (x1)  
 HANDLE ASSEMBLY

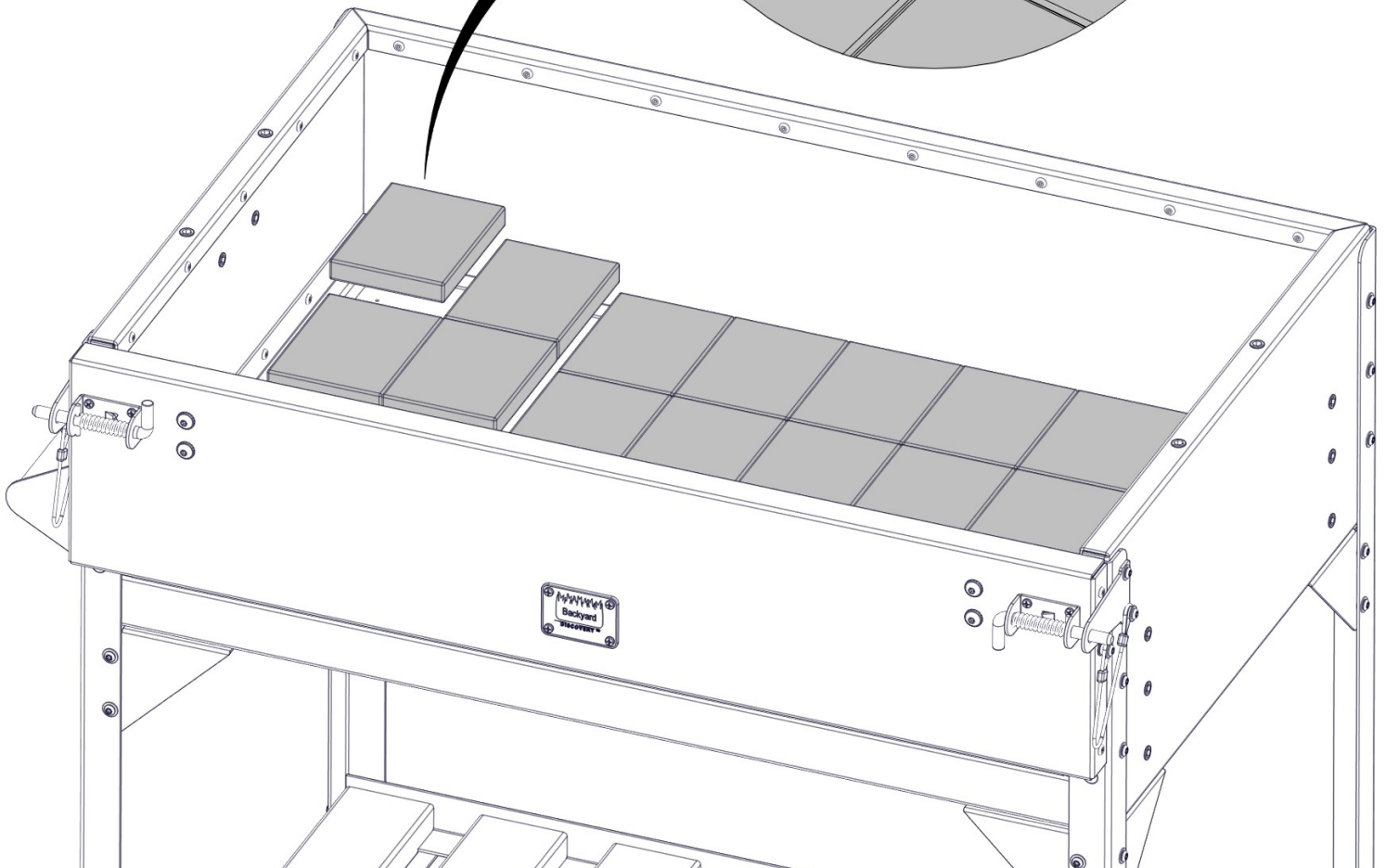
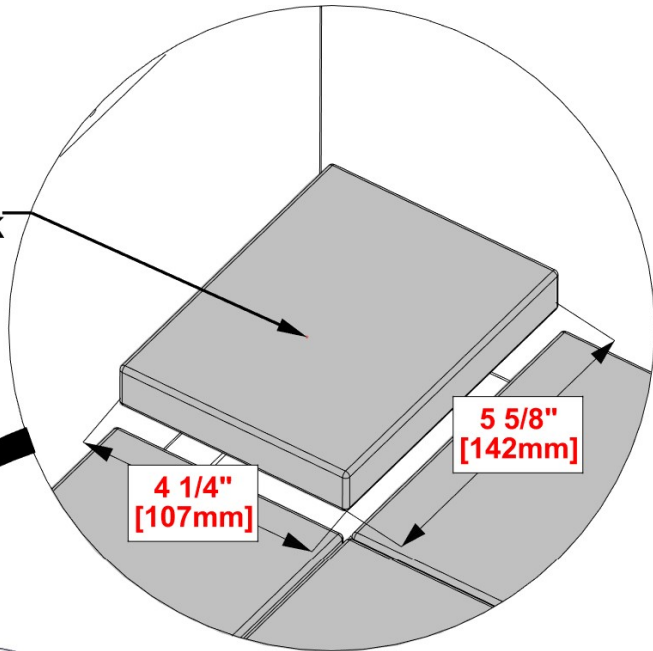
# STEP 11 - CART ASSEMBLY



0729 FIRE BRICK - A6P00729  
(x32) 13/16"x4 3/16"x5 9/16" (20x107x142)

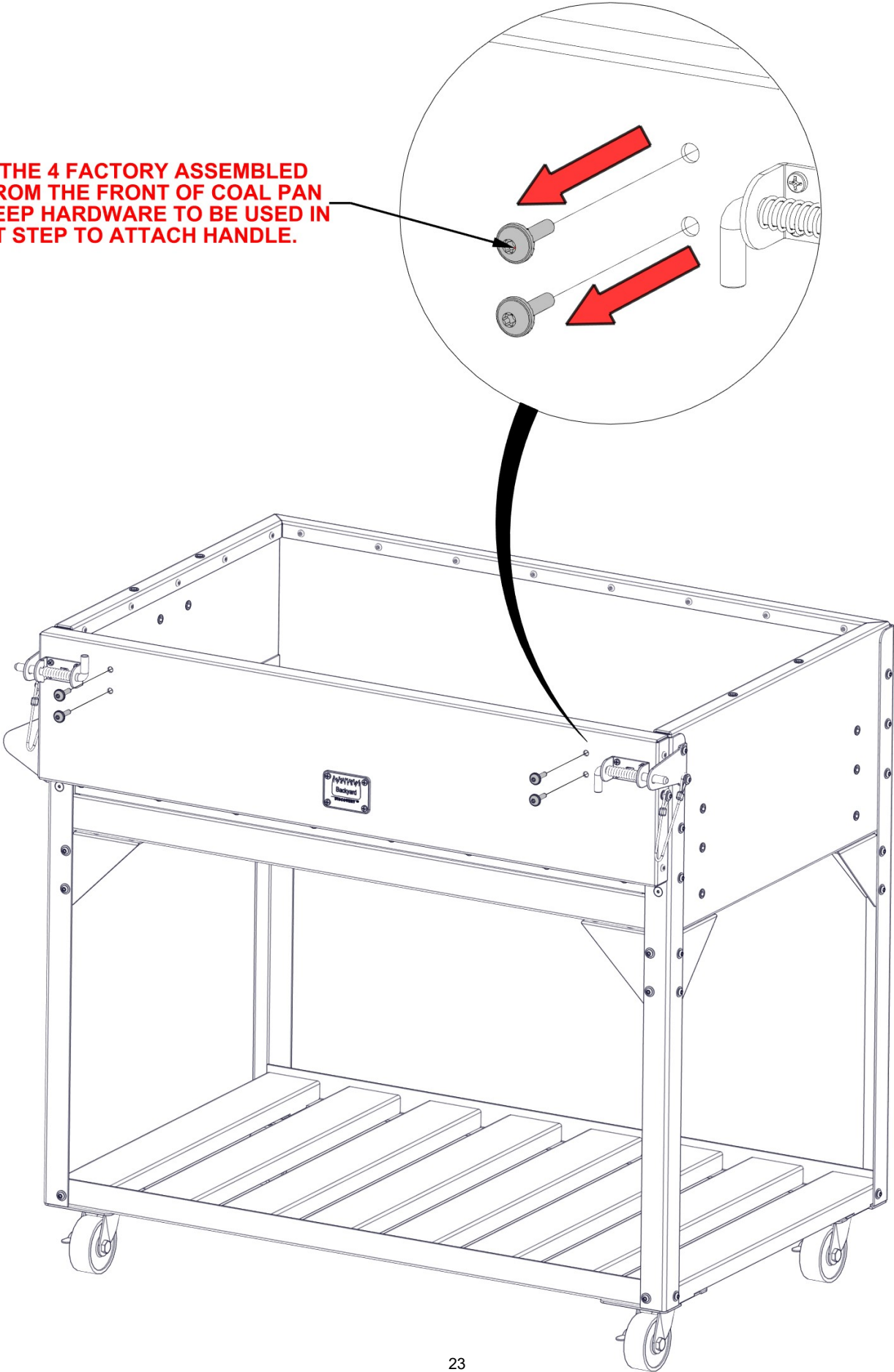
- PLACE ALL FIRE BRICKS IN THE GRILL CART. ENSURE BRICKS ARE ORIENTED AS SHOWN.
- EVENLY SPACE ALL BRICKS.

0729 (x32)  
FIRE BRICK



# STEP 12A - CART ASSEMBLY

**REMOVE THE 4 FACTORY ASSEMBLED BOLTS FROM THE FRONT OF COAL PAN DOOR. KEEP HARDWARE TO BE USED IN THE NEXT STEP TO ATTACH HANDLE.**



# STEP 12B - CART ASSEMBLY

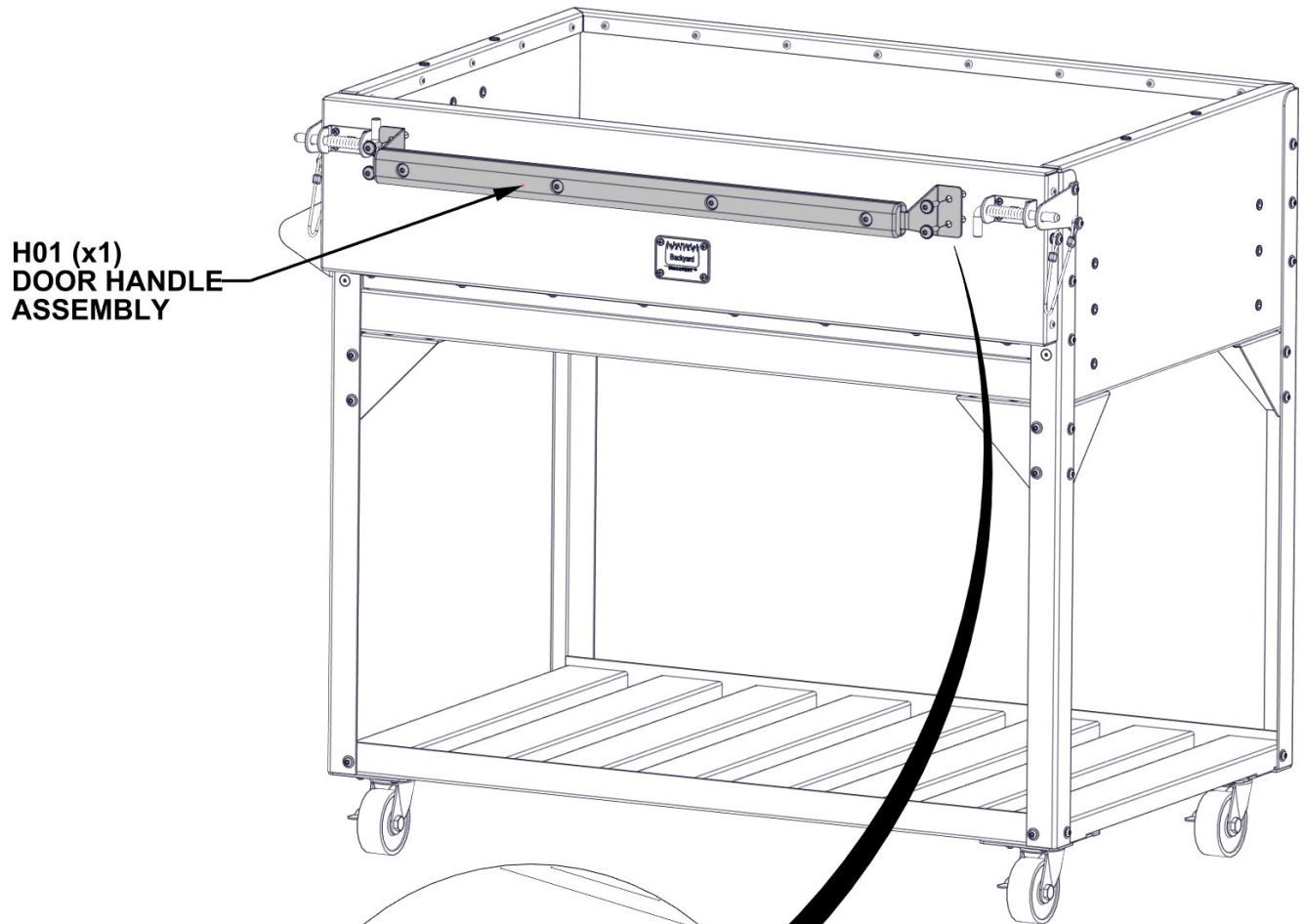


QTY	PART NUMBER	DESCRIPTION
4	H101277	BOLT WH 1/4x1 BLK (LOCTITE)

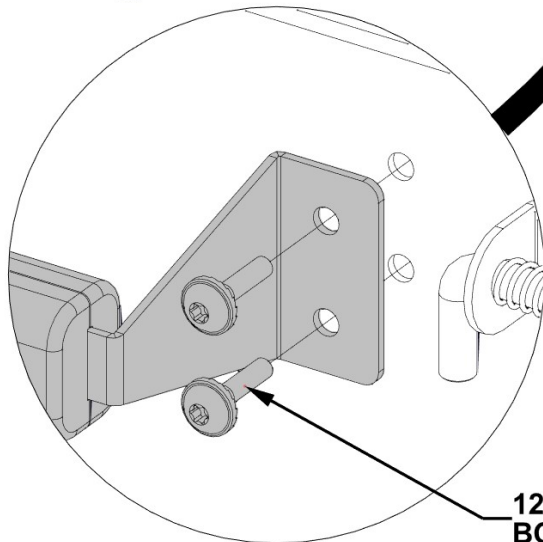
NOTE: USE HARDWARE FROM STEP 12A

H01 DOOR HANDLE ASSEMBLY - A4M02761  
(x1) 2 3/8"x3 3/4"x30 1/4" (60x95x769)

**- USING BOLTS FROM PREVIOUS STEP,  
ATTACH DOOR HANDLE AS SHOWN BELOW.**

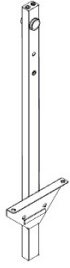


H01 (x1)  
DOOR HANDLE  
ASSEMBLY



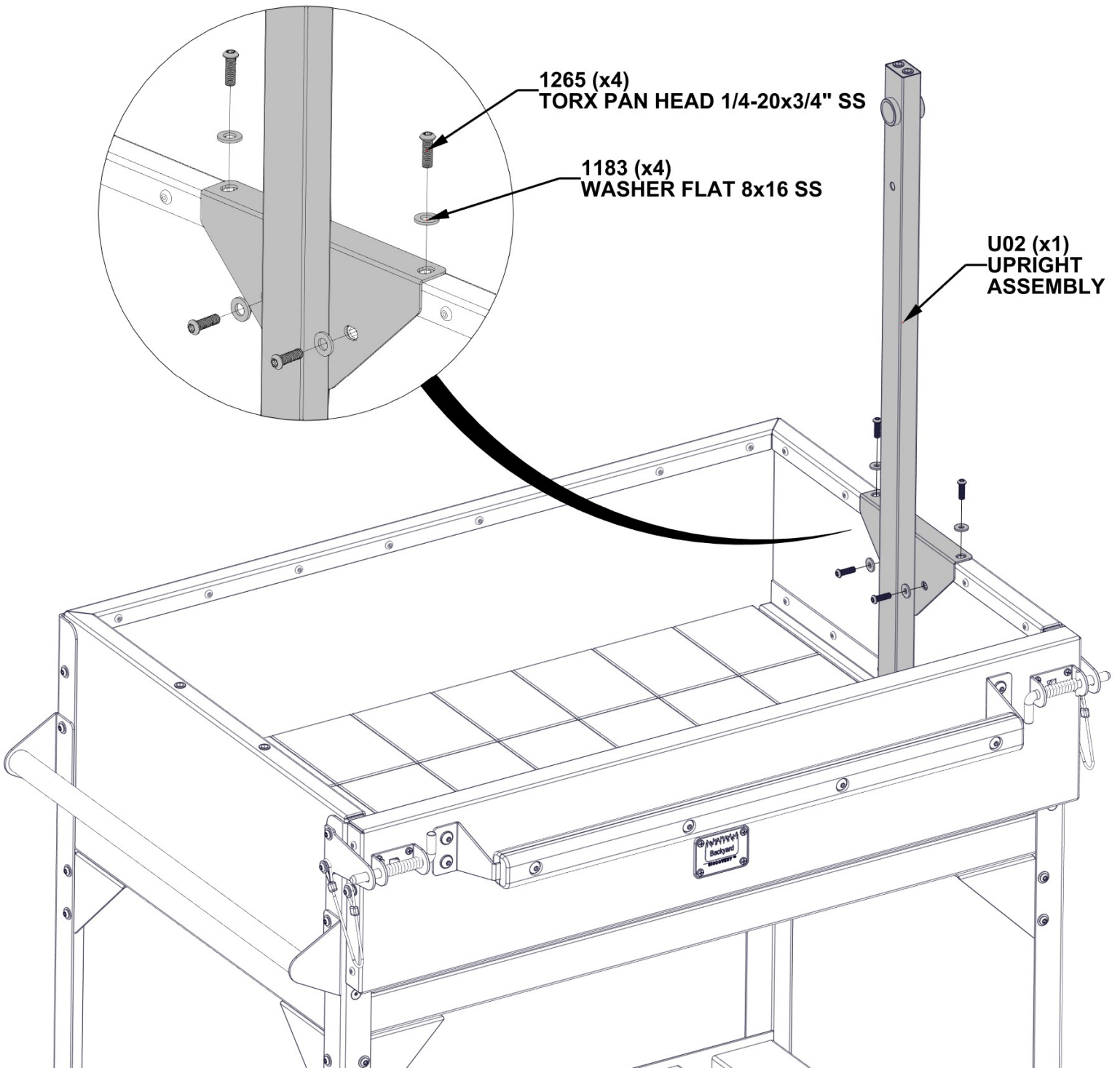
1277 (x4)  
BOLT - 1"

# STEP 13 - GRILL ASSEMBLY



QTY	PART NUMBER	DESCRIPTION
4	H101265	TORX PAN HEAD 1/4-20x3/4" SS (LOCTITE)
4	H101183	WASHER FLAT 8x16 SS

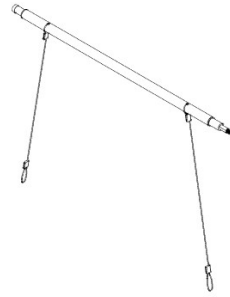
U02 UPRIGHT ASSEMBLY - A4M02759  
 (x1) 2 5/16"x7 7/8"x31" (58.8x200x788)



# STEP 14A - GRILL ASSEMBLY



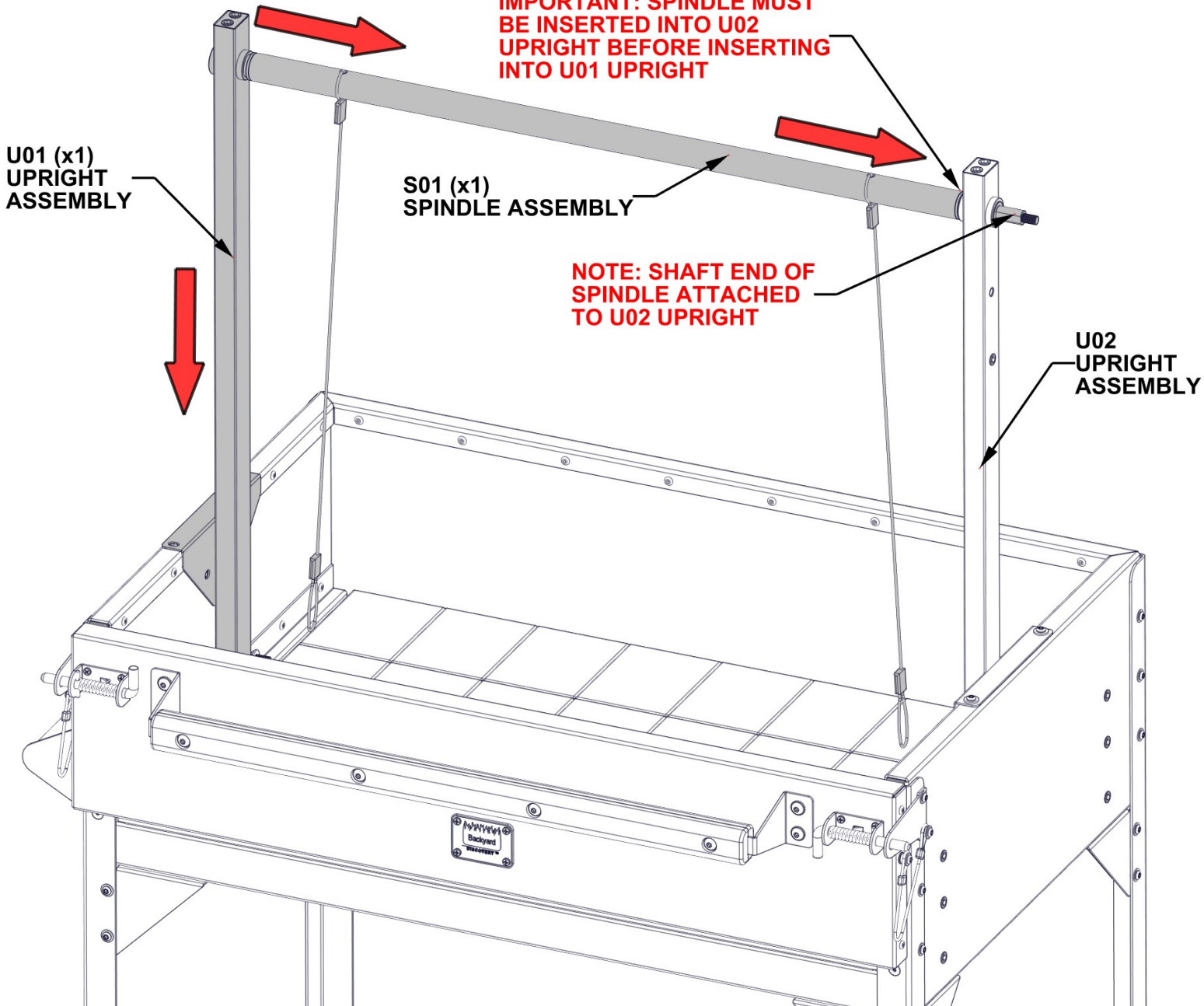
U01 UPRIGHT ASSEMBLY - A4M02758  
(x1) 2 5/16"x7 7/8"x31" (58.8x200x788)



S01 SPINDLE ASSEMBLY - A4M02150  
(x1) 1 3/16"x37 5/8" (x30x955)

- ATTACH SPINDLE AND UPRIGHT ASSEMBLY, BY SLIDING IN PLACE.
- SHAFT END OF SPINDLE WILL ATTACH TO U02 UPRIGHT ASSEMBLY.

**IMPORTANT: SPINDLE MUST BE INSERTED INTO U02 UPRIGHT BEFORE INSERTING INTO U01 UPRIGHT**



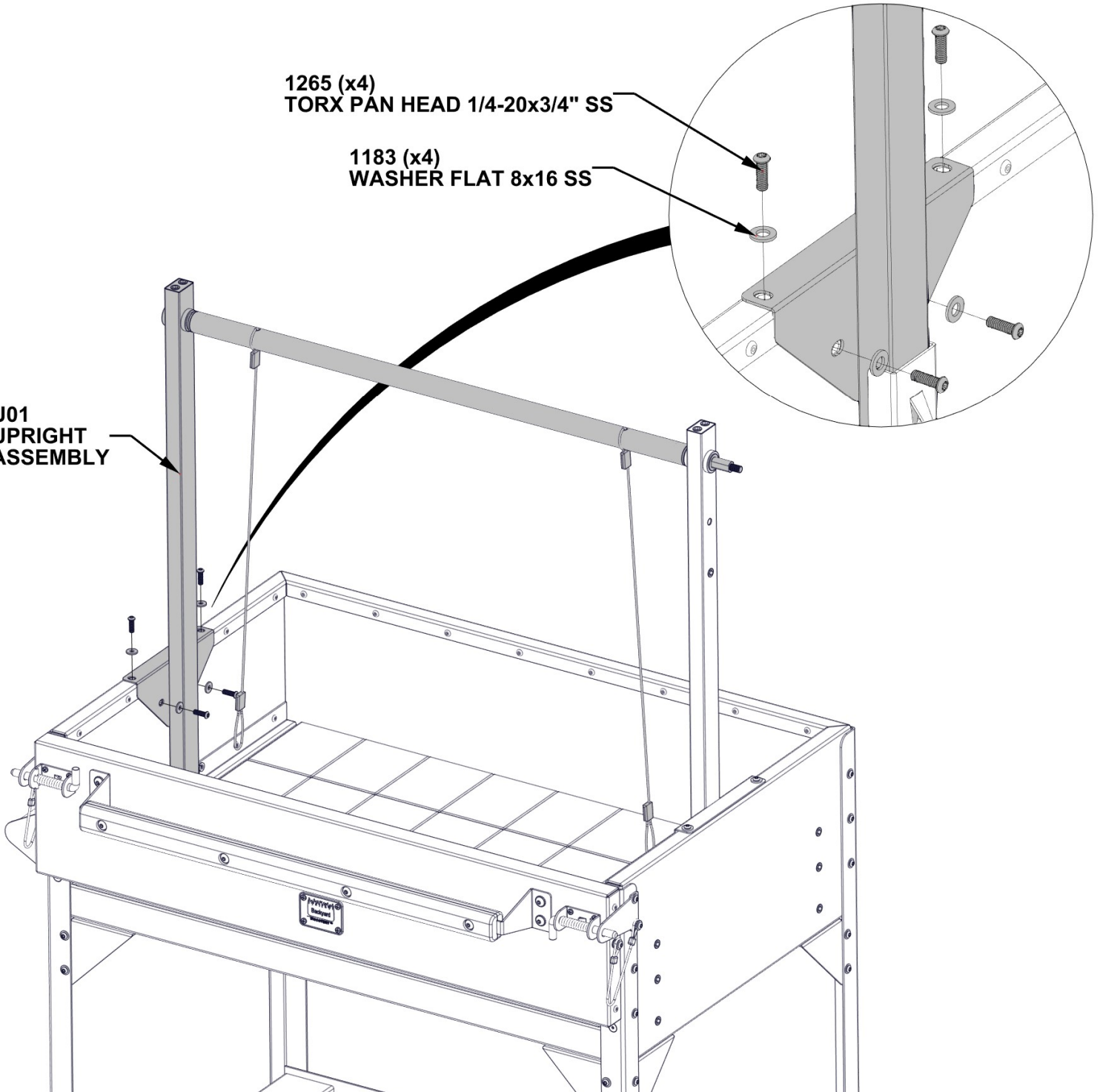
# STEP 14B - GRILL ASSEMBLY

QTY	PART NUMBER	DESCRIPTION
4	H101183	WASHER FLAT 8x16 SS
4	H101265	TORX PAN HEAD 1/4-20x3/4" SS (LOCTITE)

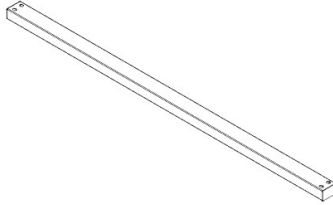
1265 (x4)  
TORX PAN HEAD 1/4-20x3/4" SS

1183 (x4)  
WASHER FLAT 8x16 SS

U01  
UPRIGHT  
ASSEMBLY

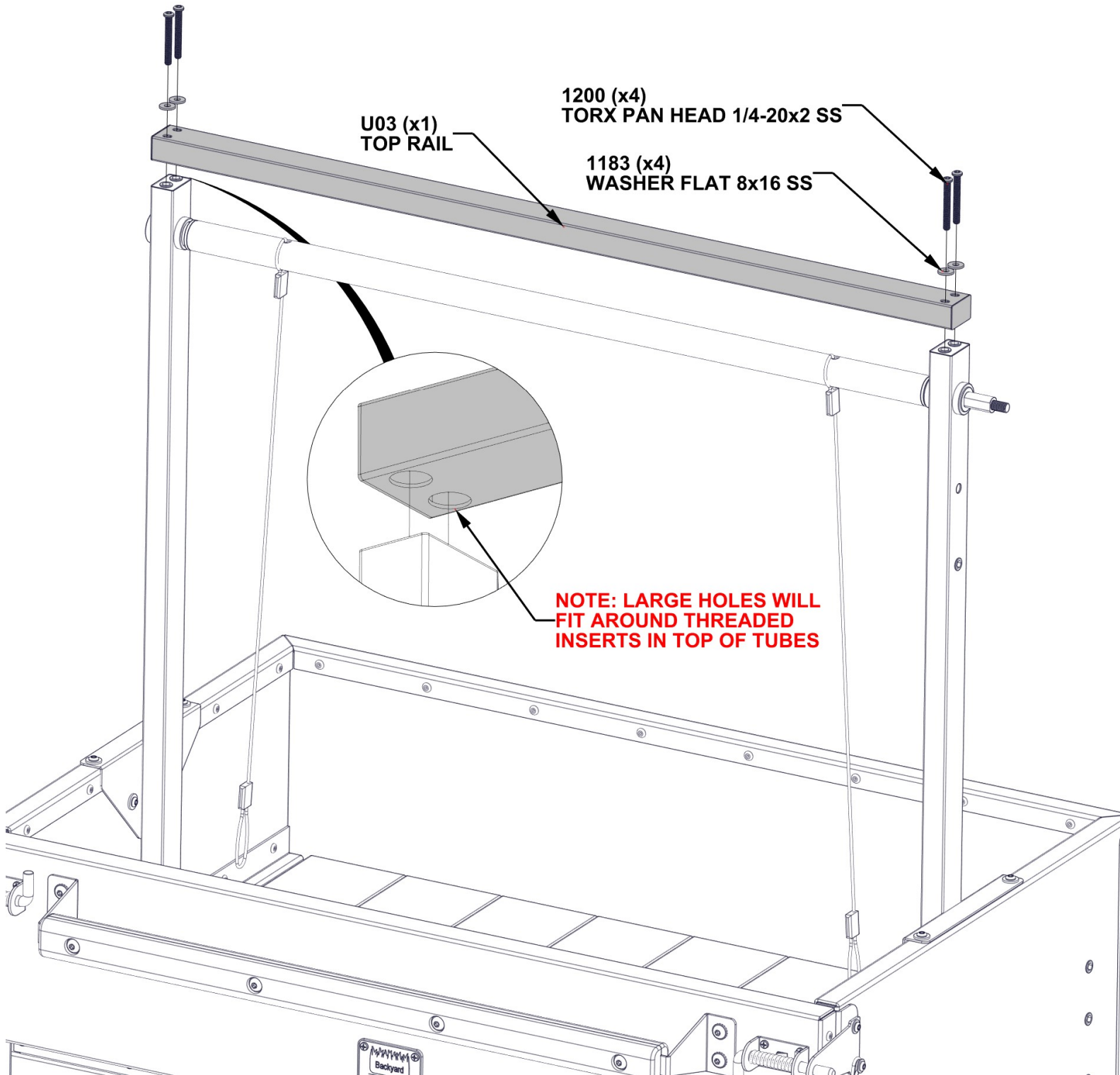


# STEP 15 - GRILL ASSEMBLY



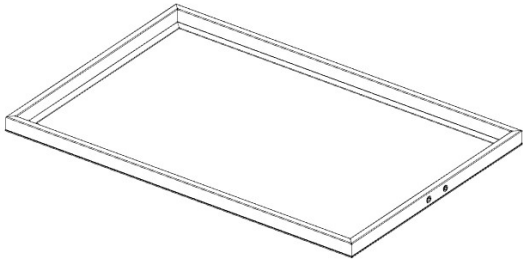
QTY	PART NUMBER	DESCRIPTION
4	H101200	TORX PAN HEAD 1/4-20x2 SS (LOCTITE)
4	H101183	WASHER FLAT 8x16 SS

U03 TOP RAIL - A4M02149  
 (x1) 1"x1 1/2"x35 1/4" (25x38x896)



# STEP 16 - GRILL ASSEMBLY

QTY	PART NUMBER	DESCRIPTION
4	H101265	TORX PAN HEAD 1/4-20x3/4" SS (LOCTITE)
4	H101183	WASHER FLAT 8x16 SS
4	H101182	WASHER SPLIT 1/4 SS

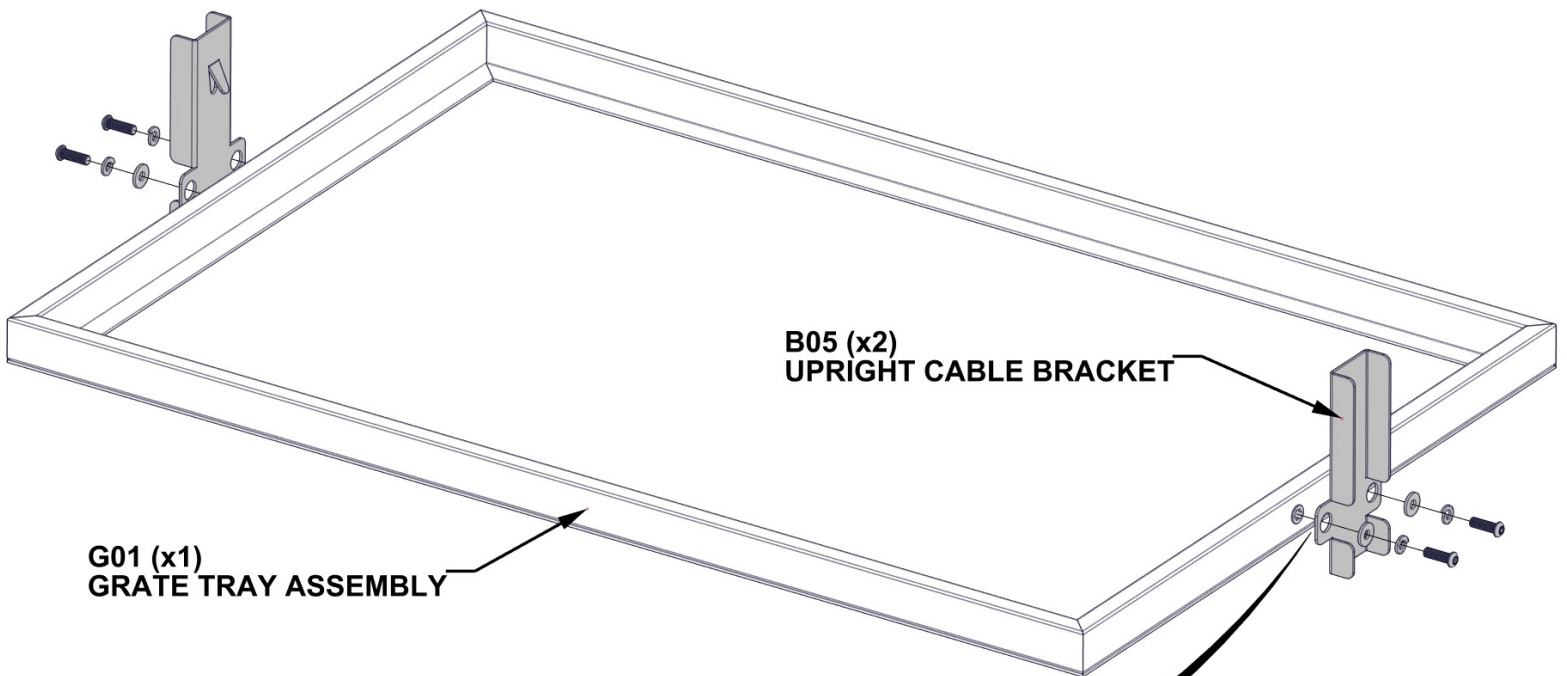


G01 GRATE TRAY ASSEMBLY - A4M02144  
(x1) 1 1/4"x21 13/16"x33 1/16" (31.80x554x839)



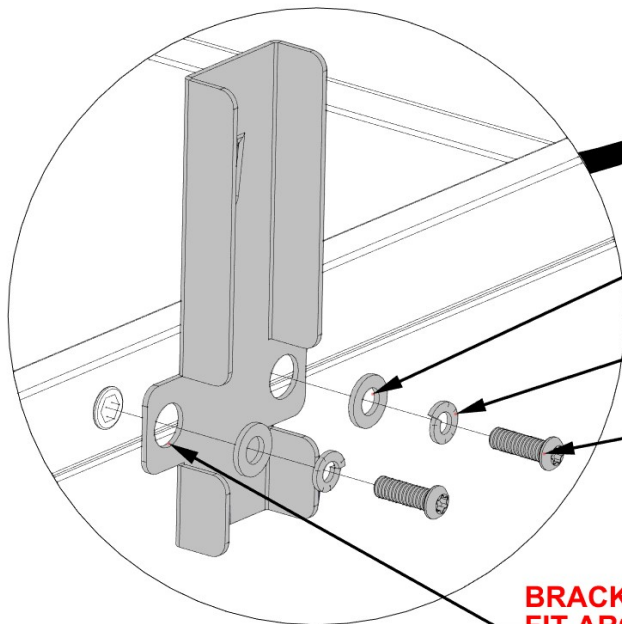
B05 UPRIGHT CABLE BRACKET - A4M02270  
(x2) 1 3/16"x2 15/16"x5 11/16" (30x74.5x143.8)

- ENSURE CORRECT ORIENTATION OF GRATE TRAY BRACKETS
- SQUARE UPRIGHT BRACKETS TO GRATE TRAY BEFORE TIGHTENING HARDWARE.



G01 (x1)  
GRATE TRAY ASSEMBLY

B05 (x2)  
UPRIGHT CABLE BRACKET



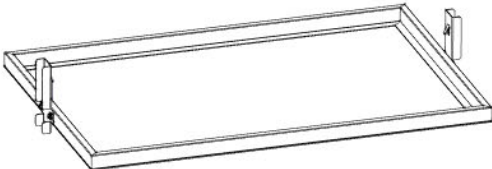
1183 (x4)  
WASHER FLAT 8x16 SS

1182 (x4)  
WASHER SPLIT 1/4 SS

1265 (x4)  
TORX PAN HEAD 1/4-20x3/4" SS

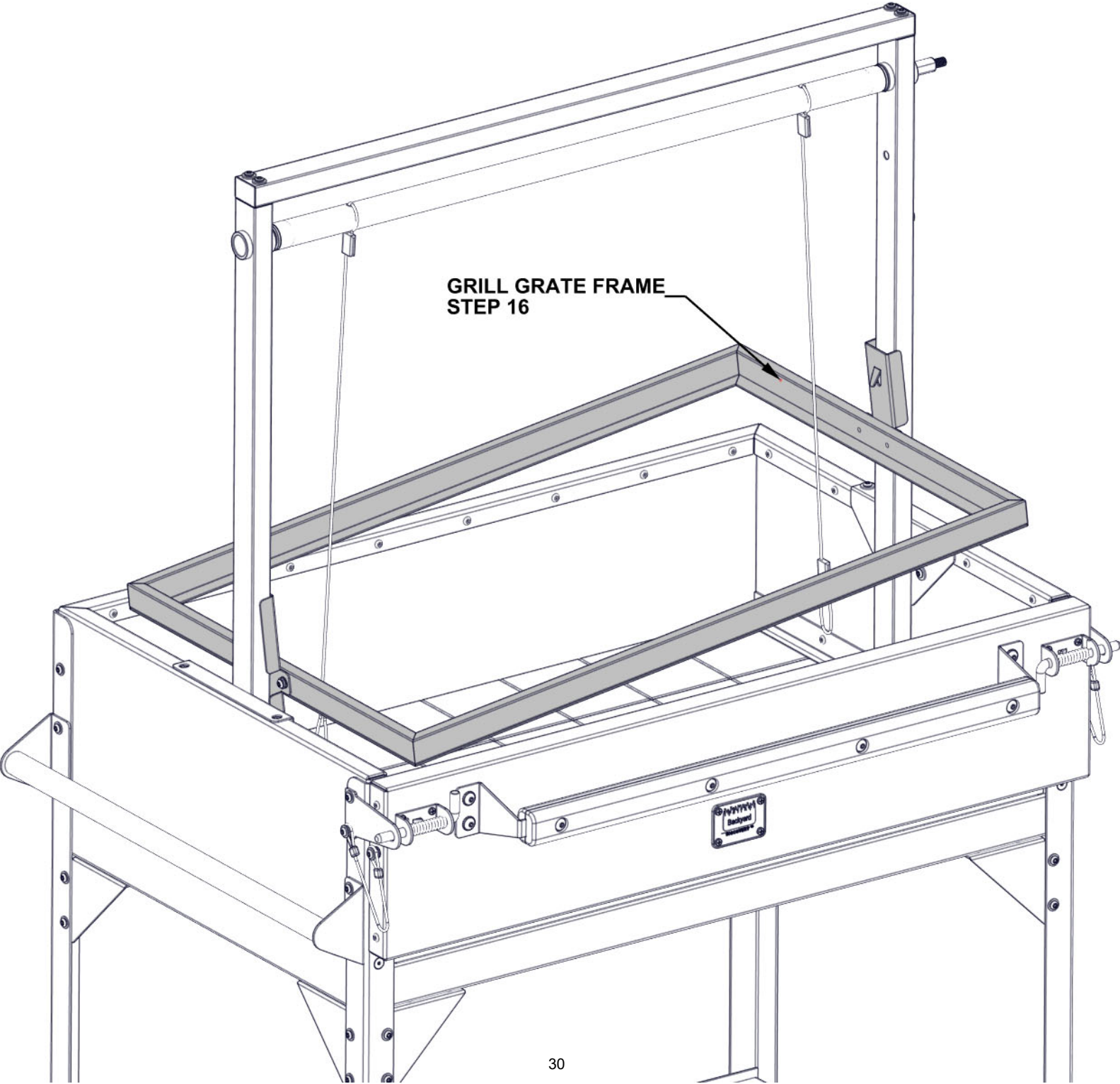
**BRACKET HOLES WILL FIT AROUND THREADED INSERTS IN GRATE TRAY**

# STEP 17 - GRILL ASSEMBLY

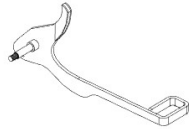


GRILL GRATE FRAME - FROM STEP 16

**- CAREFULLY SET GRILL GRATE FRAME INTO COAL PAN ASSEMBLY BY HOLDING FRAME AT AN ANGLE AS SHOWN BELOW.**



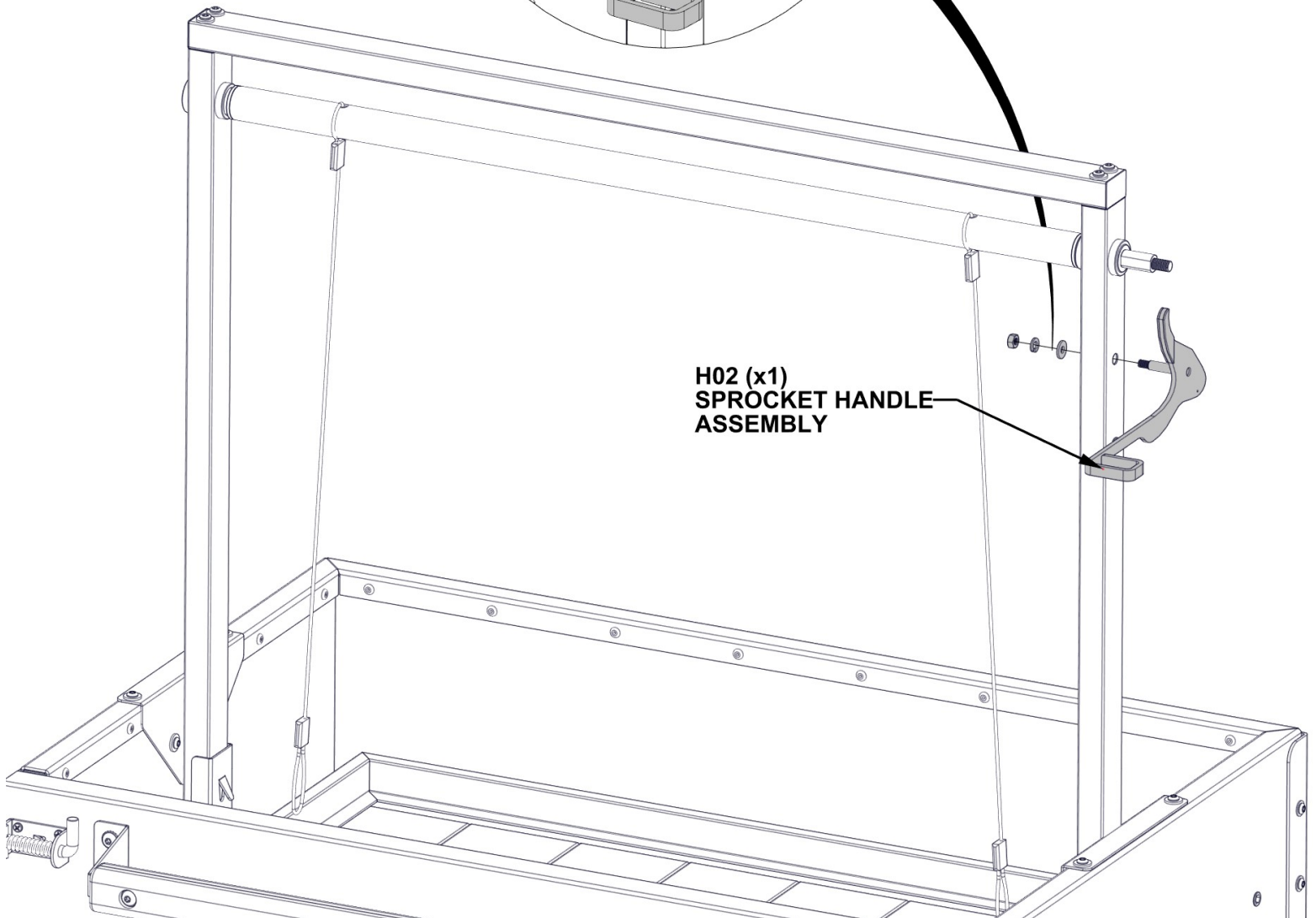
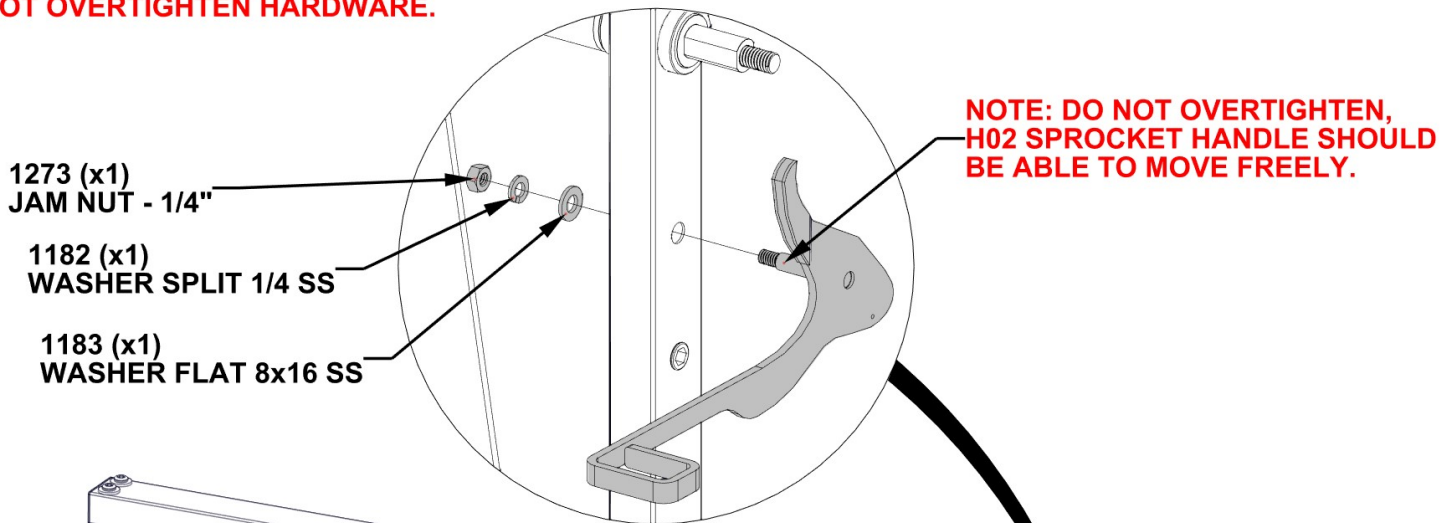
# STEP 18A - GRILL ASSEMBLY



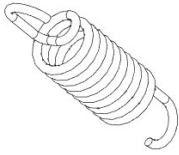
QTY	PART NUMBER	DESCRIPTION
1	H101273	HEX JAM NUT 1/4"-20 SS (LOCTITE)
1	H101182	WASHER SPLIT 1/4 SS
1	H101183	WASHER FLAT 8x16 SS

H02 SPROCKET HANDLE ASSEMBLY - A4M02760  
 (x1) 3 5/8"x4 1/2"x9 5/16" (92x115x236)

**- DO NOT OVERTIGHTEN HARDWARE.**



# STEP 18B - GRILL ASSEMBLY

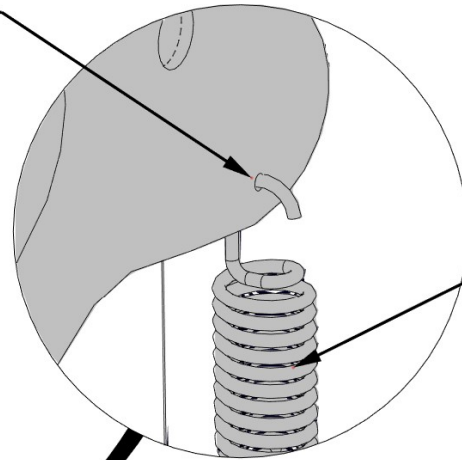


S03 SPRING - A4M02506  
(x1) 1/16"x7/16"x1 13/16" (1.5x11x46)

QTY	PART NUMBER	DESCRIPTION
1	H101265	TORX PAN HEAD 1/4-20x3/4" SS (LOCTITE)
1	H101183	WASHER FLAT 8x16 SS

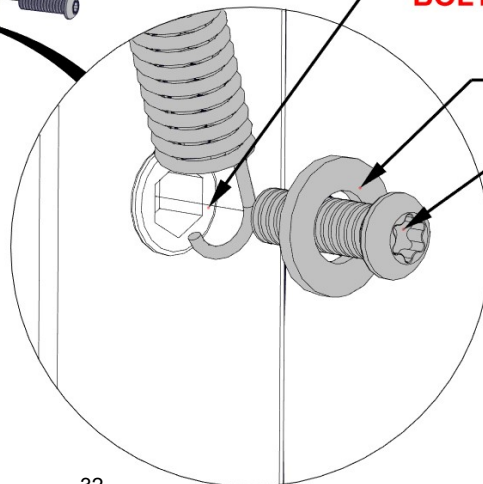
- DO NOT OVERTIGHTEN HARDWARE
- SPRING TENSION IS INTENDED TO BE TIGHT.
- YOU WILL NEED PLIERS TO ATTACH SPRING TO HANDLE.

**CONNECT END OF SPRING TO THRU HOLE IN H02 HANDLE**



S03 (x1)  
SPRING

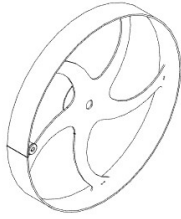
**ATTACH OPPOSITE END OF SPRING USING TORX BOLT AND WASHER**



1183 (x1)  
WASHER FLAT 8x16 SS  
1265 (x1)  
TORX PAN HEAD  
1/4-20x3/4" SS

# STEP 19 - GRILL ASSEMBLY

QTY	PART NUMBER	DESCRIPTION
1	H101274	NUT LOCK 3/8"-16 SS
1	H100497	WASHER FLAT 17x30 BLK
1	H101167	WASHER FLAT 11x25 BLK

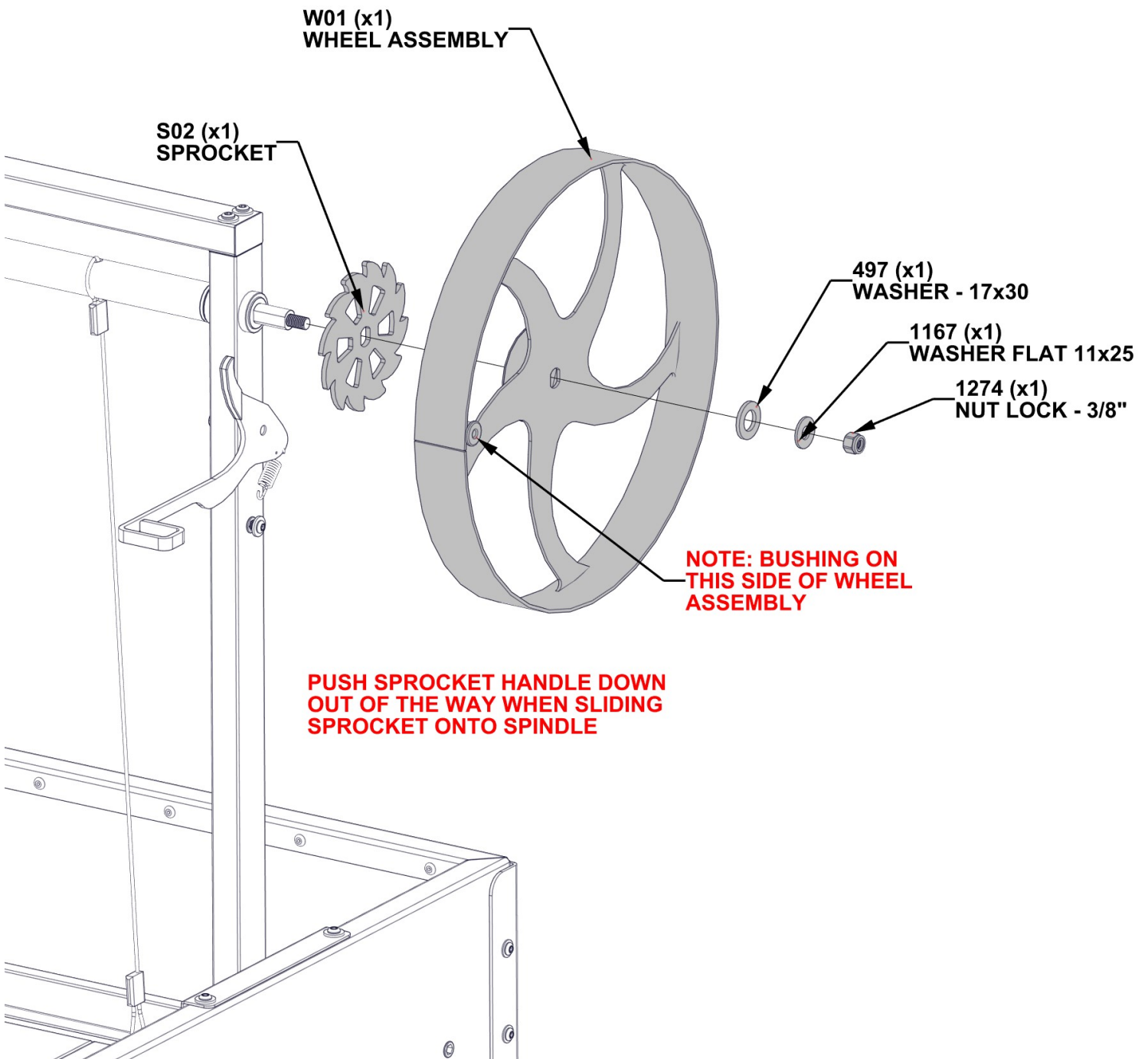


W01 WHEEL ASSEMBLY - A4M02146  
(x1) 2 3/8"x7" (59.7x178)

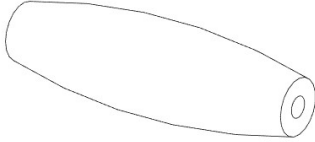


S02 SPROCKET - A4M02147  
(x1) 3/16"x4 11/16"x4 11/16" (4x119x119)

**- DO NOT OVERTIGHTEN HARDWARE**  
**- ORIENTATION OF SPROCKET AND WHEEL ASSEMBLY**  
**ARE CRITICAL AND SHOULD BE ORIENTED AS SHOWN BELOW.**

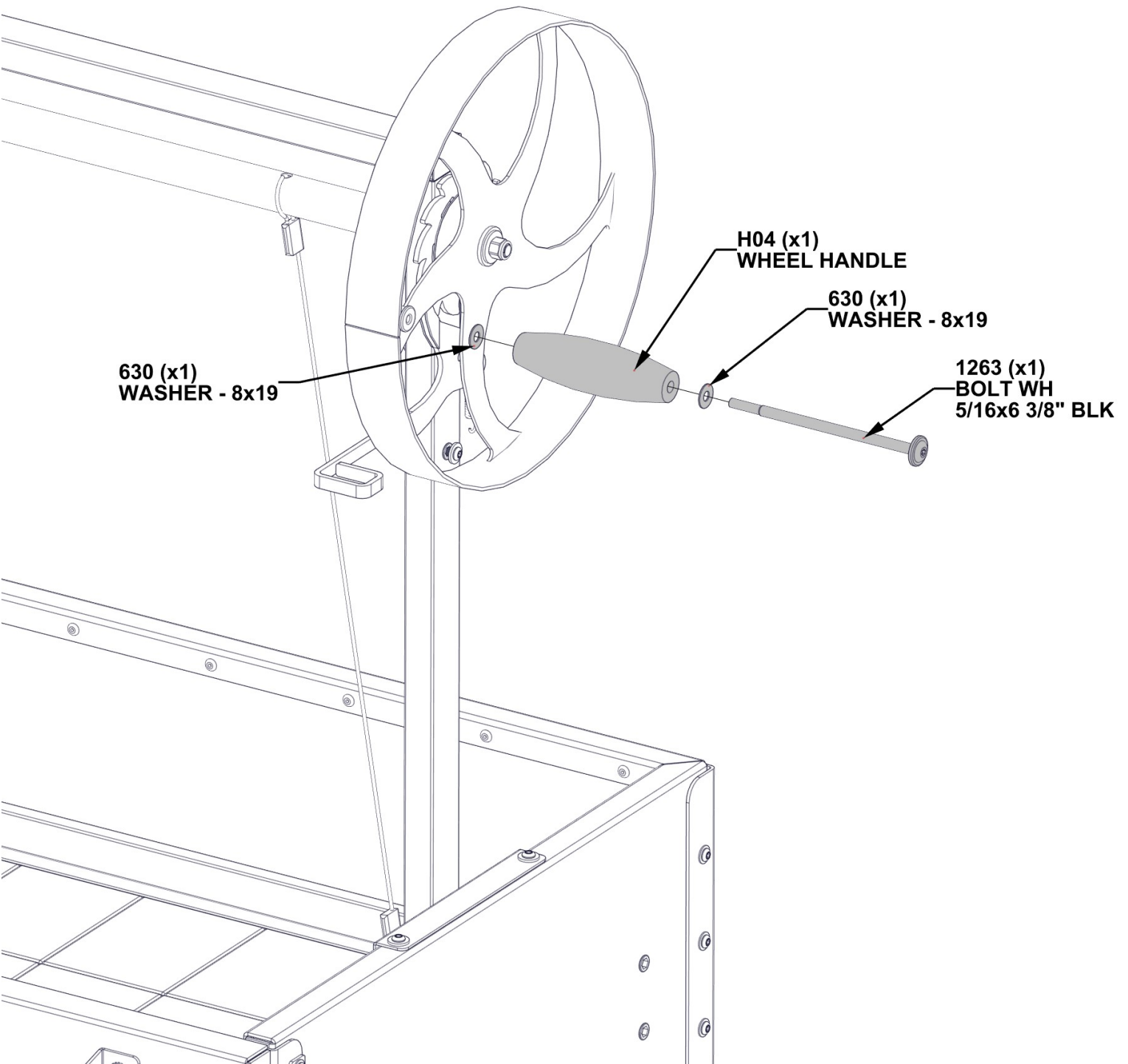


# STEP 20 - GRILL ASSEMBLY



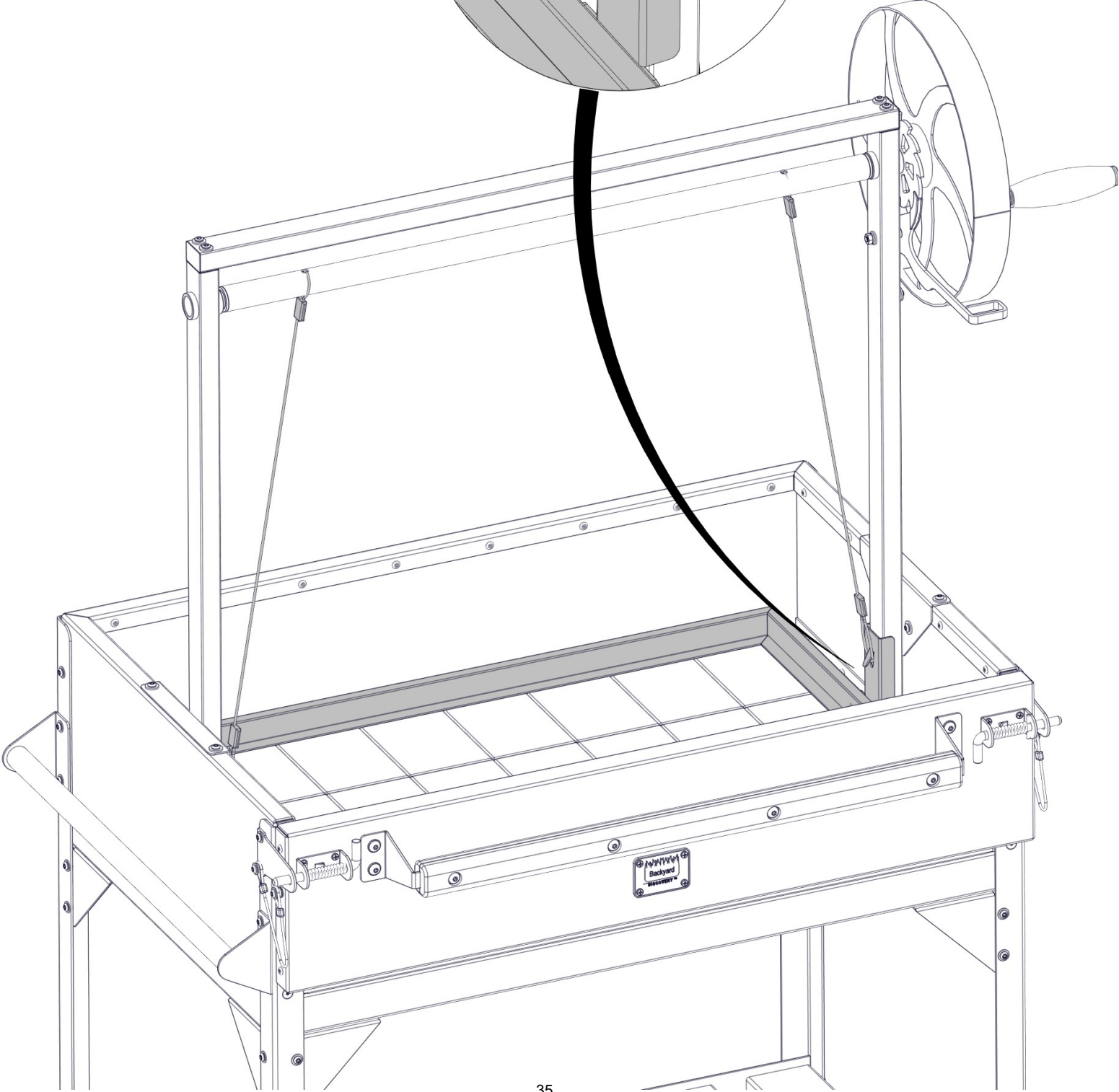
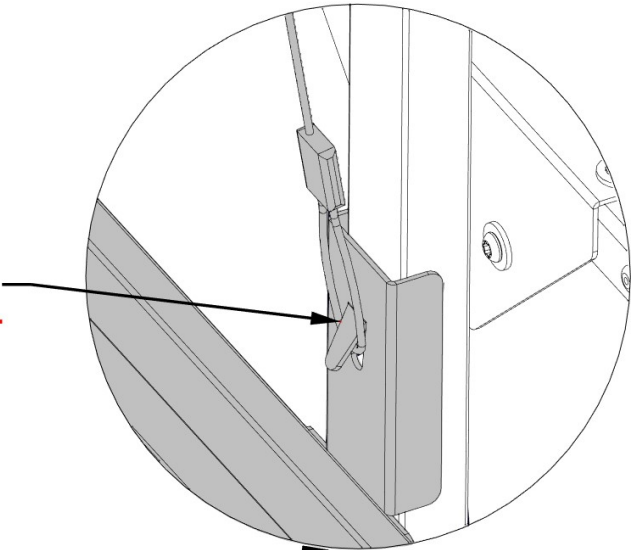
QTY	PART NUMBER	DESCRIPTION
1	H101263	BOLT WH 5/16x6 3/8 BLK (LOCTITE)
2	H100630	WASHER FLAT 8x19 BLK

H04 WHEEL HANDLE - W4L19101  
 (x1) 1 9/16"x5 1/8" (40x130)

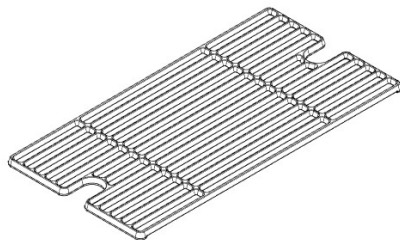


# STEP 21 - GRILL ASSEMBLY

**ATTACH LOOPED ENDS OF THE CABLES ONTO THE BRACKET TABS AS SHOWN.**



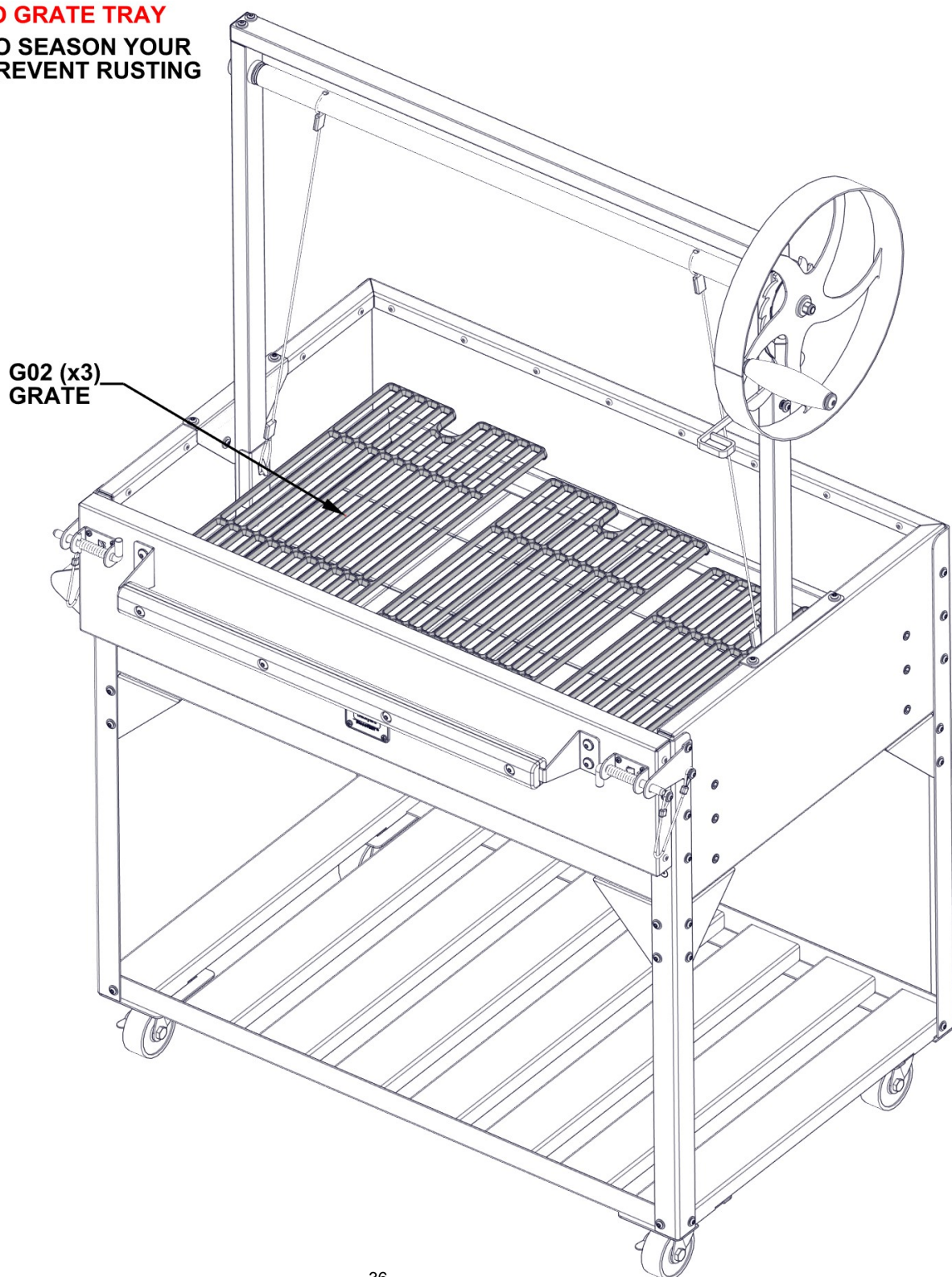
## STEP 22 - GRILL ASSEMBLY



G02 GRATE - A4M02145  
(x3) 7/16"x10 1/2"x20 1/2" (12x266x520)

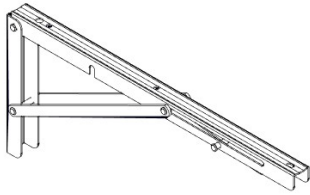
**- PLACE GRATES INTO GRATE TRAY**

**- IT IS RECOMMEND TO SEASON YOUR GRILL GRATES TO PREVENT RUSTING OVER TIME**

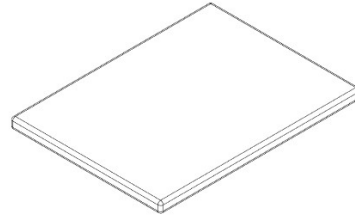


# STEP 23A - GRILL TABLE ASSEMBLY

QTY	PART NUMBER	DESCRIPTION
6	H100797	SCREW PWH 8x1 BLK



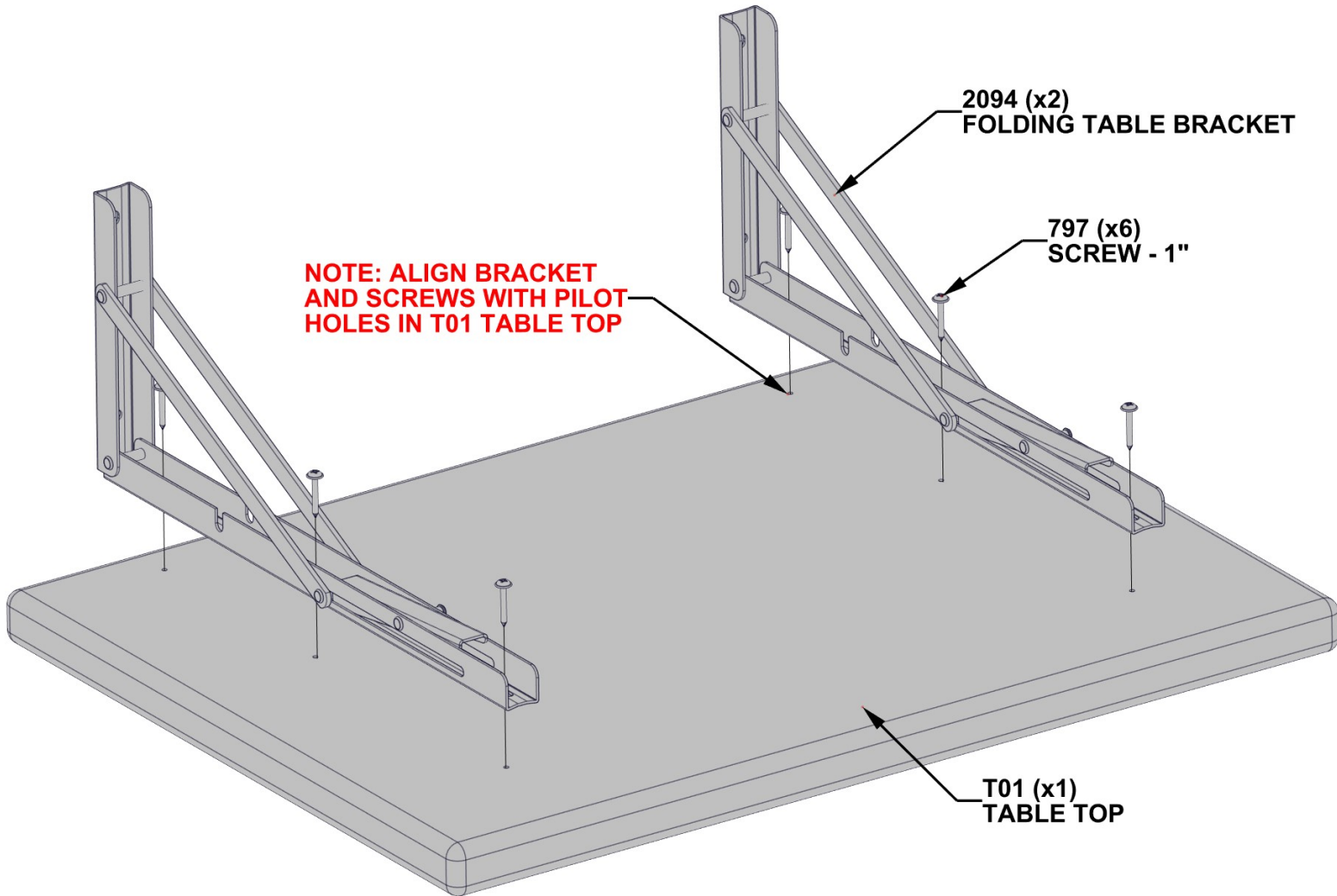
2094 FOLDING TABLE BRACKET - A4M02094  
(x2) 1 3/8"x6 13/16"x15 15/16" (34x173x405)



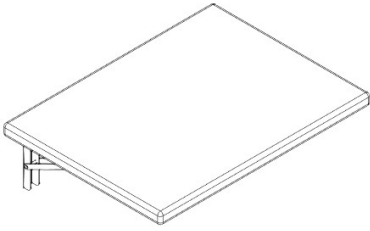
T01 TABLE TOP - W4L18241  
(x1) 1 1/4"x17 11/16"x23 5/8" (32x450x600)

**- DO NOT OVERTIGHTEN SCREWS**

**- IT IS RECOMMENDED TO USE THE 6" MAGNETIC DRIVER EXTENSION PROVIDED IN YOUR HARDWARE KIT FOR THIS STEP**



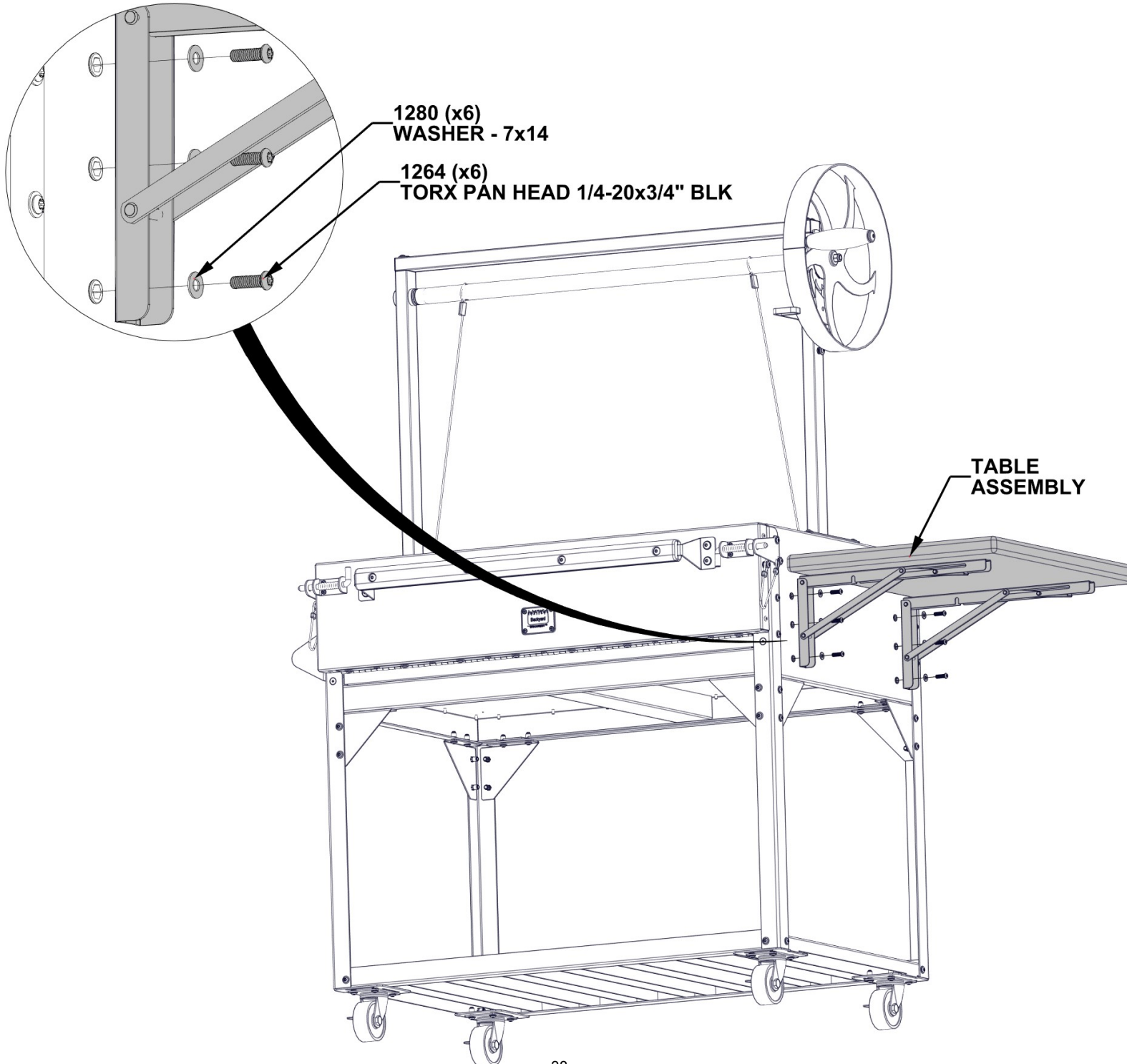
# STEP 23B - GRILL TABLE ASSEMBLY



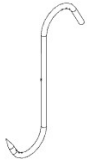
QTY	PART NUMBER	DESCRIPTION
6	H101264	TORX PAN HEAD 1/4-20x3/4" BLK (LOCTITE)
6	H101280	WASHER FLAT 7x14 SS

TABLE ASSEMBLY - FROM PREVIOUS STEP

- IT IS RECOMMENDED TO USE THE 6" MAGNETIC DRIVER EXTENSION PROVIDED IN YOUR HARDWARE KIT FOR THIS STEP



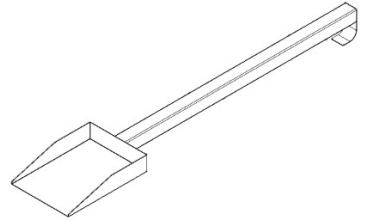
# STEP 24 - GRILL CART ASSEMBLY



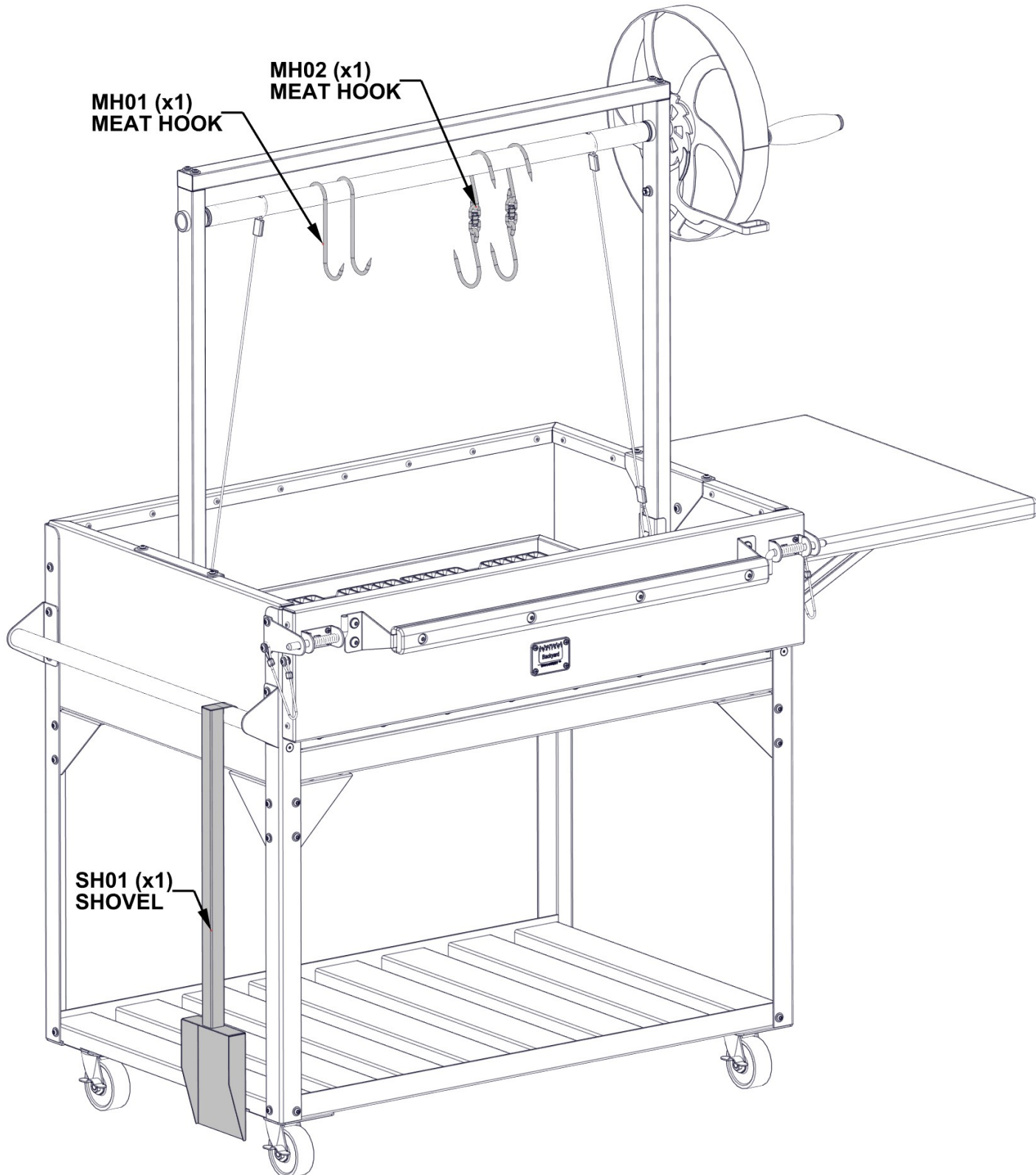
MH01 MEAT HOOK - A4M02402  
(x2) 3/16"x3 7/8"x5 11/16" (5x98x145)



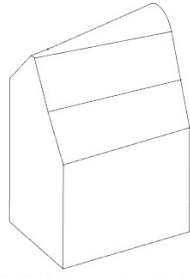
MH02 MEAT HOOK - A4M02407  
(x2) 3/16"x3"x8 13/16" (5x77x224)



SH01 SHOVEL - A4M02513  
(x1) 2 1/4"x4 7/8"x26 7/16" (57x124x671)



# STEP 25 - GRILL CART ASSEMBLY



A6P00894 GRILL COVER  
(x1)

- INSTALL COVER TO PROPERLY CARE FOR YOUR GRILL WHEN NOT IN USE.
- MAKE SURE GRILL HAS COOLED TO AN AMBIENT TEMPERATURE BEFORE COVERING WITH COVER.

894 (x1)  
GRILL COVER

