



Manufactured by:  
Backyard Discovery  
3305 Airport Drive, Pittsburg, KS 66762  
800-856-4445

Basepoint Business Centre: Rivermead Drive, Westlea, Swindon SN5 7EX Phone: 0800-118-2476  
J.P. Coenstraat 7, The Bridge, The Hague, 2595 WP, Netherlands Phone: 08005678990

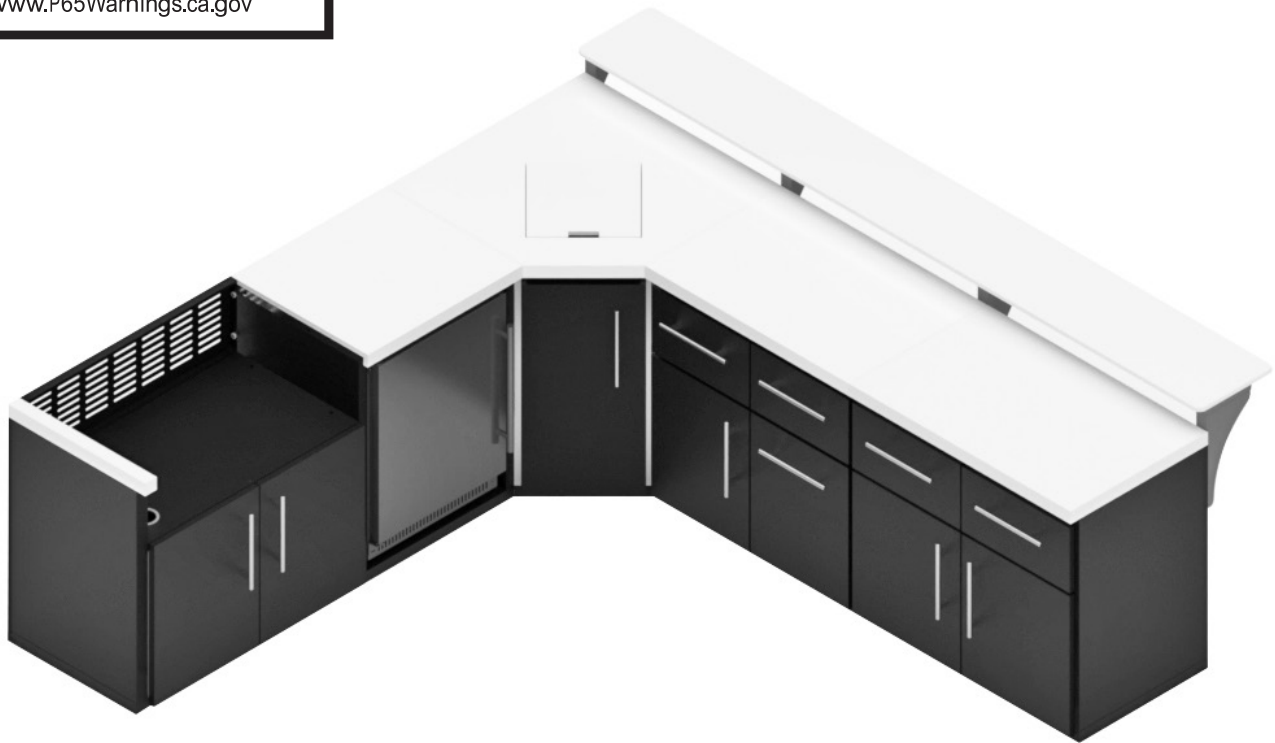
# EMORY CORNER OUTDOOR KITCHEN ISLAND AND BAR - LEFT

MODEL #: 2504196B



## WARNING

Cancer and Reproductive Harm  
[www.P65Warnings.ca.gov](http://www.P65Warnings.ca.gov)



Please visit [www.backyarddiscovery.com](http://www.backyarddiscovery.com)  
For the most up to date assembly manual, to register your product, or to order  
replacement parts Para obtener instrucciones en español, visite  
[www.backyarddiscovery.com](http://www.backyarddiscovery.com)



EASY STEP-BY-STEP

3D INTERACTIVE INSTRUCTIONS  
DOWNLOAD THE FREE APP



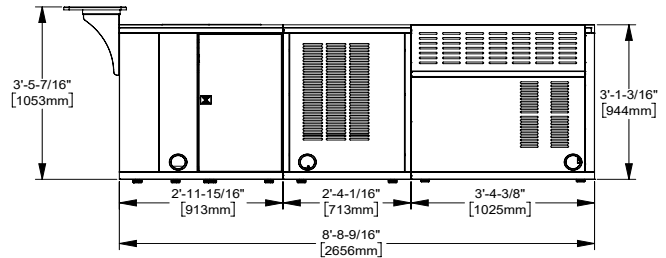
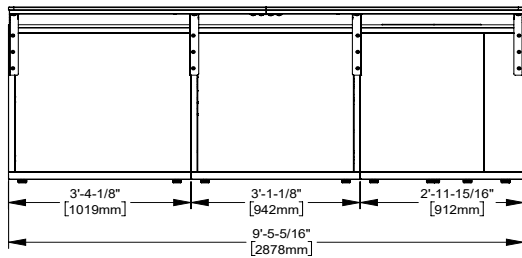
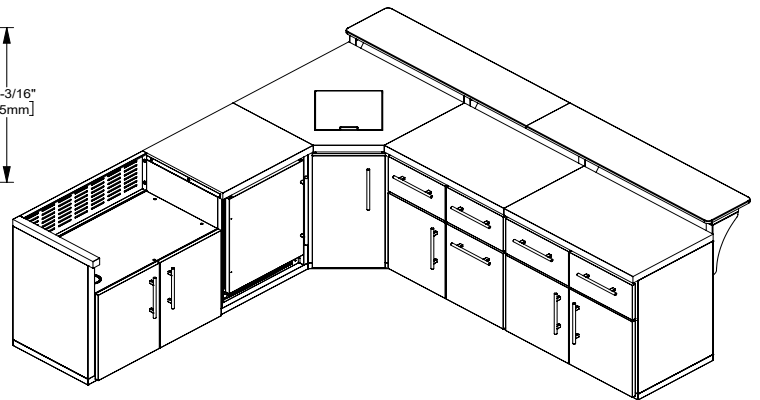
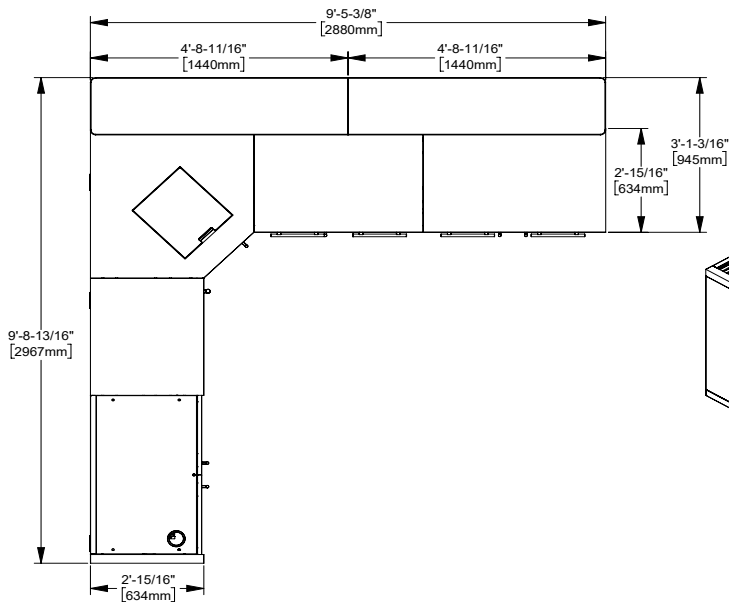
# OWNER'S MANUAL - BASIC SETUP DIMENSIONS & ASSEMBLY NOTES

It is critically important that you start with square and level footings or concrete pad to attach your structure.

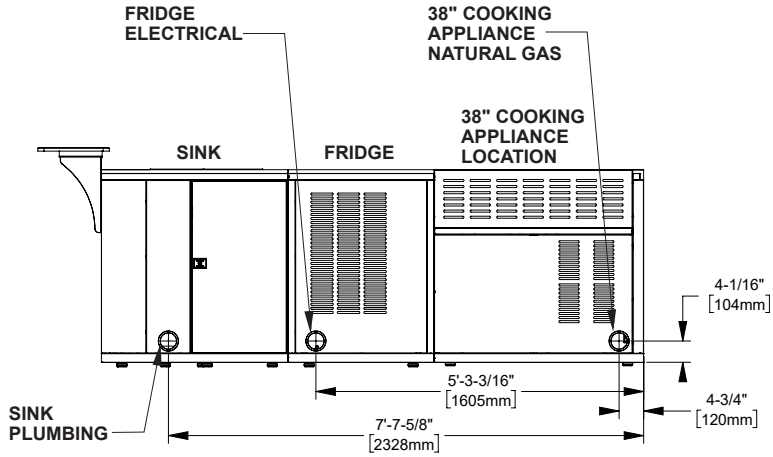
- Pay close attention to the items needed for each step. Make sure you are using the correct hardware for each step. Using incorrect hardware may result in improper assembly
- Remember to double check for underground utilities and overhead electrical lines

Post mounts are provided with your structure which allows you to permanently install your structure to a pre-existing or new wood or concrete surface. See Anchor Instructions for further details and recommendations.

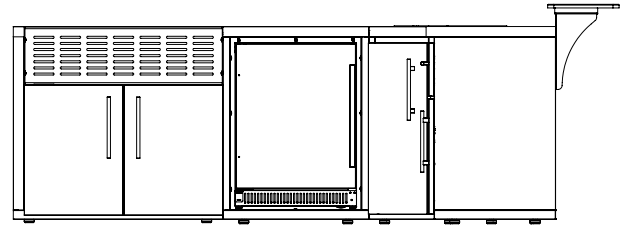
- The hardware to attach the post mounts to the structure is included.
- The hardware to mount the structure permanently to a concrete surface is included.
- The hardware to mount the structure permanently to a wood deck is **NOT** included and will need to be purchased separately. You must ensure there is ample structural support under the deck before permanently attaching.



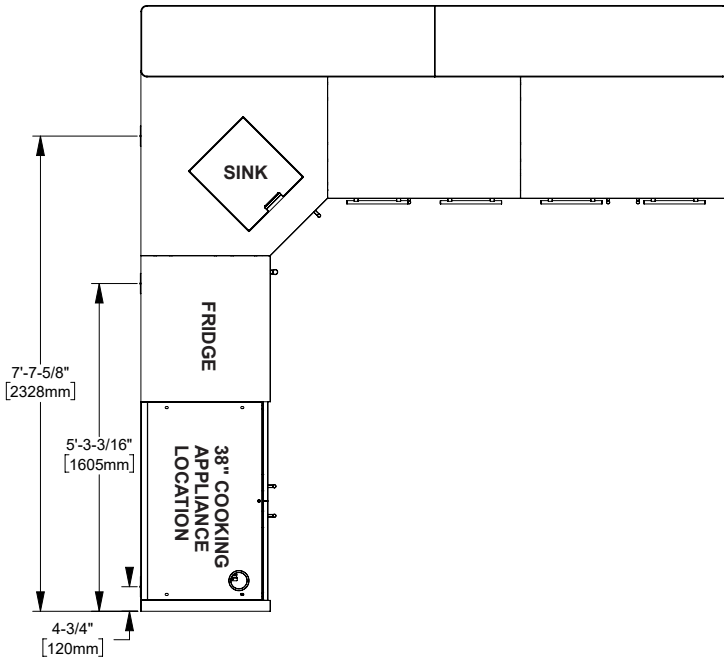
# OWNER'S MANUAL - UTILITY LAYOUT



LEFT SIDE VIEW



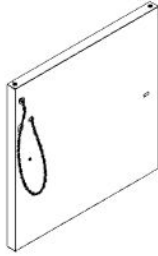
RIGHT SIDE VIEW



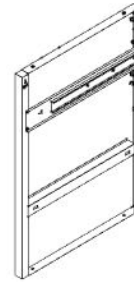
TOP SIDE VIEW

# OWNER'S MANUAL - PARTS IDENTIFICATION

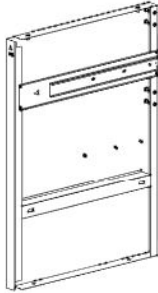
METAL COMPONENTS (NOT TO SCALE)



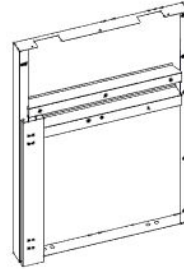
**S6 CABINET SIDE PANEL ASSEMBLY M - A4M03586**  
(x1) 23 3/8"x22 7/8"x1 3/8" (35x581x593)



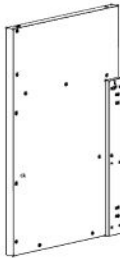
**S17 CABINET SIDE PANEL ASSEMBLY M - A4M05647**  
(x1) 33 3/8"x23 3/8"x1 3/8" (35.00x593.20x847.20)



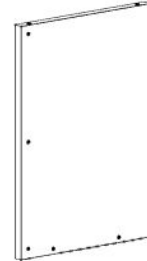
**S24 CABINET SIDE PANEL ASSEMBLY M - A4M04705**  
(x1) 33 3/8"x23 3/8"x2 3/16" (56.2x593x847)



**S27 CABINET SIDE PANEL ASSEMBLY - A4M04835**  
(x1) 33 7/16"x23 3/8"x2 13/16" (71.00x594.00x849.00)



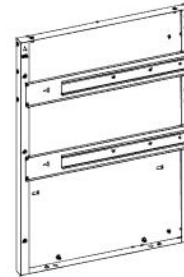
**S28 CABINET SIDE PANEL ASSEMBLY - A4M04832**  
(x1) 33 7/16"x23 3/8"x2 1/16" (53x594x849.7)



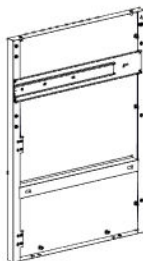
**S29 CABINET SIDE PANEL ASSEMBLY - A4M04833**  
(x1) 33 3/8"x23 3/8"x1 3/8" (35.00x594x848.20)



**S30 CABINET CORNER PANEL ASSEMBLY - A4M04847**  
(x1) 33 3/8"x8 11/16"x8 11/16" (220.00x220.00x848.00)



**S31 CABINET SIDE PANEL ASSEMBLY - A4M04838**  
(x1) 33 3/8"x23 3/8"x1 15/16" (49.00x594x848.20)



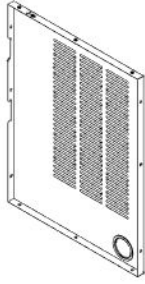
**S32 CABINET SIDE PANEL ASSEMBLY - A4M04837**  
(x1) 33 3/8"x23 3/8"x1 3/8" (35.00x594.00x848.20)



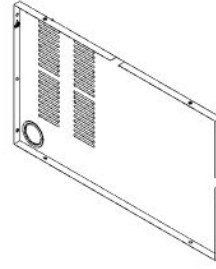
**S33 CABINET SIDE PANEL ASSEMBLY - A4M04836**  
(x1) 33 3/8"x23 3/8"x1 15/16" (49.00x594x848)

# OWNER'S MANUAL - PARTS IDENTIFICATION

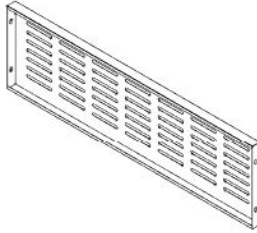
METAL COMPONENTS (NOT TO SCALE)



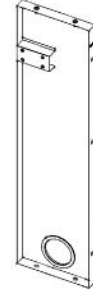
**G4 CABINET BACK PANEL ASSEMBLY - A4M03599**  
(x1) 25 5/16"x33 3/8"x1 3/16" (30x847x643)



**G10 CABINET BACK PANEL ASSEMBLY - A4M03055**  
(x1) 1 3/16"x22 7/8"x38 3/16" (30x581x970)



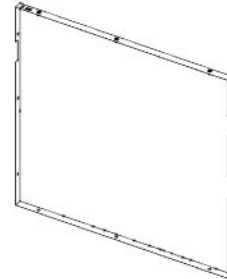
**G11 VENTILATION PANEL - A4M03056**  
(x1) 1 5/16"x11 3/16"x38 3/16" (33x284x970)



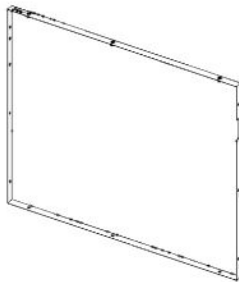
**G13 CABINET BACK PANEL ASSEMBLY - A4M04715**  
(x1) 33 3/8"x8 1/2"x1 3/16" (30x215x848)



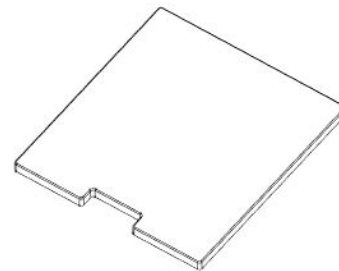
**G14 CABINET BACK PANEL ASSEMBLY - A4M04716**  
(x1) 27 5/16"x33 3/8"x1 3/16" (30x847x693)



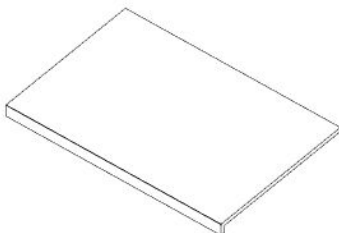
**G15 CABINET BACK PANEL ASSEMBLY - A4M04707**  
(x1) 34 5/16"x33 3/8"x1 3/16" (30x847x1049)



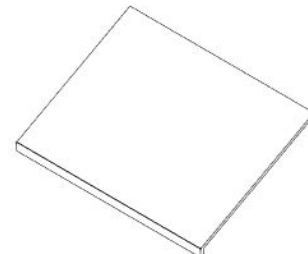
**G16 CABINET BACK PANEL ASSEMBLY - A4M04839**  
(x1) 38 3/4"x33 3/8"x1 3/16" (30.00x847.20847.20x984.00)



**M5 SINK COVER COUNTERTOP - A4M05949**  
(x1) 11/16"x14 3/4"x16 5/16" (18x375x415)



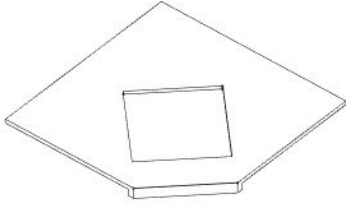
**M12 COUNTERTOP - A4M05955**  
(x1) 37 3/16"x24 15/16"x1 15/16" (50x634x944)



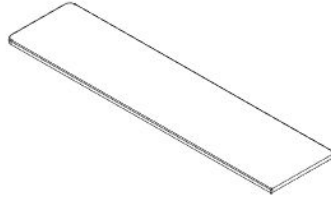
**M13 COUNTERTOP - A4M05953**  
(x1) 28 1/8"x24 15/16"x1 15/16" (50x634x715)

# OWNER'S MANUAL - PARTS IDENTIFICATION

## METAL COMPONENTS (NOT TO SCALE)



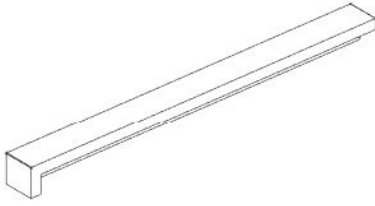
**M14 COUNTERTOP - A4M05954**  
(x1) 36"x36"x1 15/16" (50x914x914)



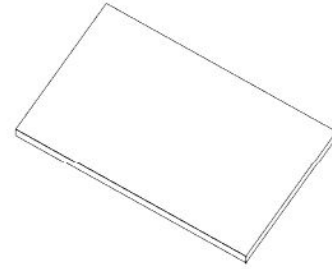
**M15 COUNTERTOP - A4M05958**  
(x1) 56 11/16"x13 3/4"x11/16" (18x350x1440)



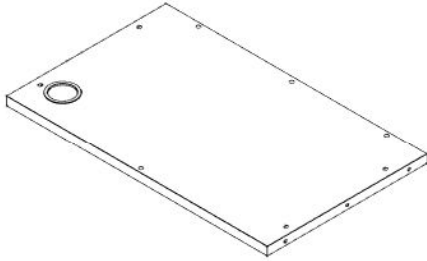
**M22 COUNTERTOP - A4M05956**  
(x1) 56 11/16"x13 3/4"x11/16" (18x350x1440)



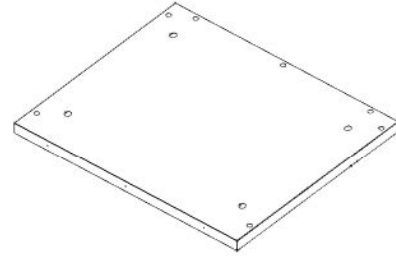
**M16 COUNTERTOP - A4M05959**  
(x1) 24 15/16"x2 1/16"x1 15/16" (50x53x634)



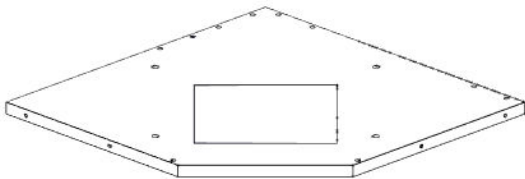
**M18 COUNTERTOP - A4M05960**  
(x1) 40 3/16"x24 15/16"x1 15/16" (50x634x1020)



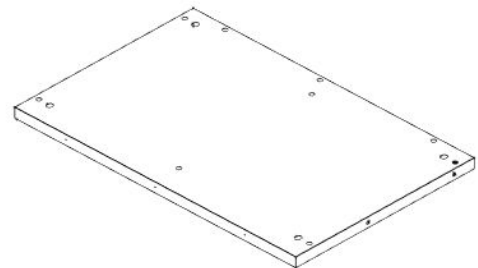
**T13 TABLETOP ASSEMBLY - A4M04668**  
(x1) 1 1/4"x23 3/8"x38 3/16" (32x594x970)



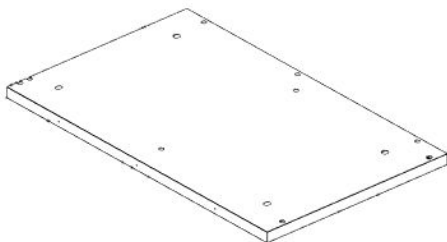
**T14 CABINET TABLETOP PANEL ASSEMBLY - A4M04701**  
(x1) 28 1/8"x24 1/8"x1 1/4" (32x612x715)



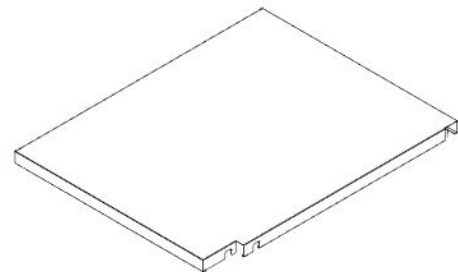
**T15 CABINET TABLETOP FRAME - A4M04713**  
(x1) 36"x914.00x1 1/4" (32x914x914)



**T16 CABINET TABLETOP ASSEMBLY - A4M04708**  
(x1) 37 3/16"x24 1/8"x1 1/4" (32x612x944)



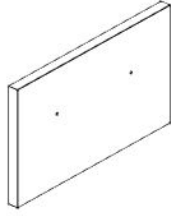
**T17 CABINET TABLETOP PANEL ASSEMBLY - A4M04842**  
(x1) 39 7/16"x24 1/8"x1 1/4"x1 1/4" (32.00x612.00x1001.00)



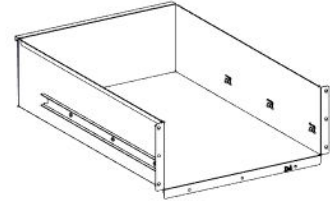
**L2 CABINET SHELF ASSEMBLY - A4M03589**  
(x1) 23 1/4"x18 3/8"x1" (25x467x591)

# OWNER'S MANUAL - PARTS IDENTIFICATION

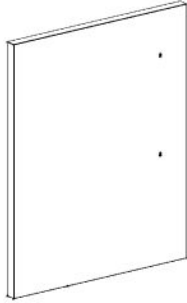
## METAL COMPONENTS (NOT TO SCALE)



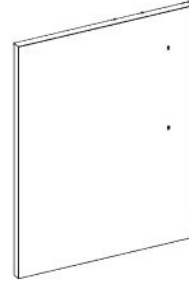
**D3 CABINET DRAWER PANEL ASSEMBLY - A4M03569**  
(x2) 17 3/4"x10 1/4"x15/16" (24x260x451)



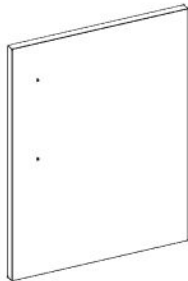
**D4 CABINET DRAWER BODY ASSEMBLY - A4M03571**  
(x2) 22 1/4"x16 1/16"x6 7/16" (164x408x565)



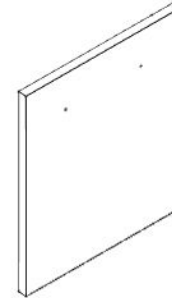
**D6 CABINET DOOR ASSEMBLY L - A4M03577**  
(x1) 22 1/4"x17 13/16"x15/16" (24x452x565)



**D7 CABINET DOOR ASSEMBLY L - A4M03587**  
(x1) 24 13/16"x19 1/16"x15/16" (24x484x630)



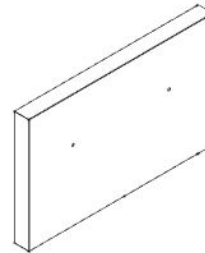
**D8 CABINET DOOR ASSEMBLY R - A4M03590**  
(x1) 24 13/16"x19 1/16"x15/16" (24x484x630)



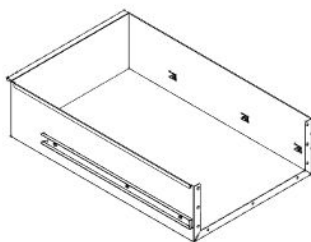
**D9 TRASH CAN PANEL ASSEMBLY - A4M03608**  
(x1) 22 1/4"x17 3/4"x15/16" (24x451x565)



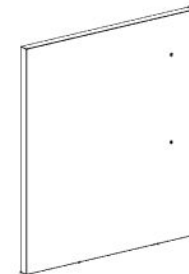
**D17 CABINET DOOR ASSEMBLY - A4M03682**  
(x1) 33 7/8"x18 1/4"x15/16" (23x463x860)



**D18 DRAWER PANEL ASSEMBLY L - A4M03696**  
(x1) 19 9/16"x10 1/4"x15/16" (24x260x498)



**D19 DRAWER BODY ASSEMBLY - A4M03698**  
(x2) 22 1/4"x17 3/4"x5 3/4" (145x450x565)



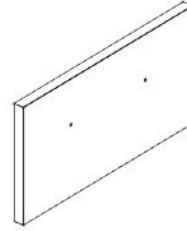
**D20 DOOR PANEL ASSEMBLY L - A4M03701**  
(x1) 22 1/4"x19 5/8"x15/16" (24x498.28x565.50)

# OWNER'S MANUAL - PARTS IDENTIFICATION

## METAL COMPONENTS (NOT TO SCALE)



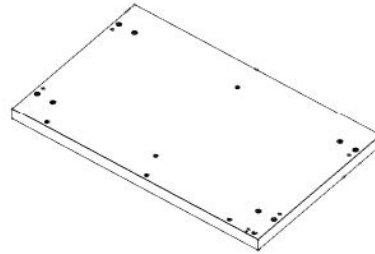
**D21 DOOR PANEL ASSEMBLY R - A4M03703**  
(x1) 22 1/4"x19 5/8"x15/16" (24x498.26x565.50)



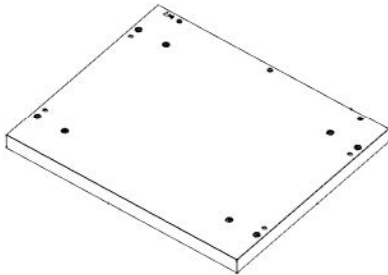
**D22 DRAWER PANEL ASSEMBLY R - A4M03706**  
(x1) 19 9/16"x10 1/4"x15/16" (24x260x498)



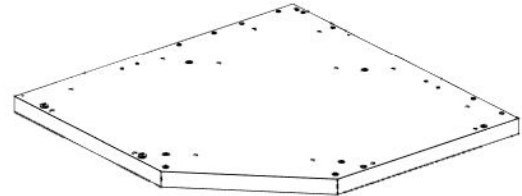
**D23 CABINET FRONT DOOR ASSEMBLY - A4M04720**  
(x1) 33 1/16"x16 1/16"x15/16" (24x408x840)



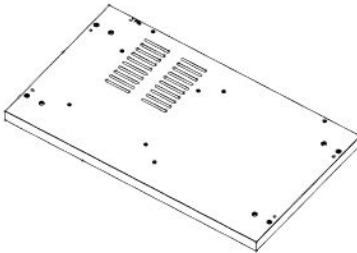
**F3 CABINET FLOOR PANEL ASSEMBLY - A4M03560**  
(x1) 37 3/16"x23 3/8"x2 5/8" (66x594x944)



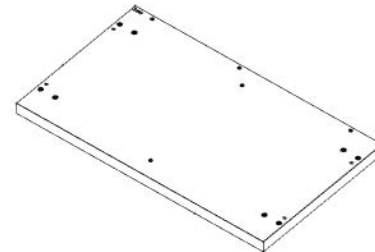
**F4 CABINET FLOOR PANEL ASSEMBLY - A4M03595**  
(x1) 28 1/8"x23 3/8"x2 5/8" (66x594x715)



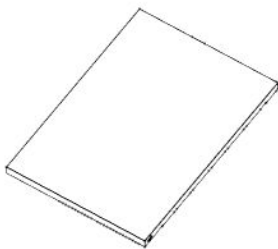
**F9 CABINET FLOOR PANEL ASSEMBLY - A4M04702**  
(x1) 36"x36"x2 5/8" (66x914x914)



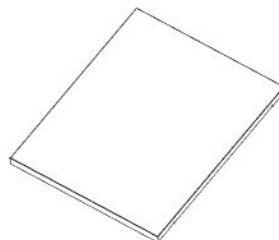
**F10 CABINET FLOOR PANEL ASSEMBLY - A4M04834**  
(x1) 2 5/8"x23 3/8"x40 3/8" (66x594x1025)



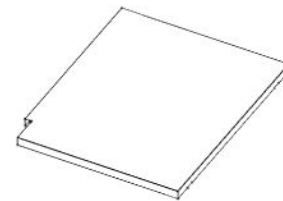
**F11 CABINET FLOOR PANEL ASSEMBLY - A4M04840**  
(x1) 40 3/16"x23 3/8"x2 5/8" (66x594x1020)



**L8 SHELF - A4M05644**  
(x1) 23 1/4"x16 1/4"x1" (25x412x591)



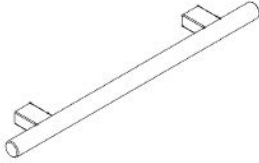
**L9 SHELF - A4M05645**  
(x1) 23 1/4"x18 1/4"x1" (25x463x591)



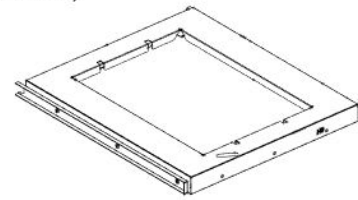
**L10 SHELF - A4M05646**  
(x1) 23 1/4"x19"x1" (25x482x591)

# OWNER'S MANUAL - PARTS IDENTIFICATION

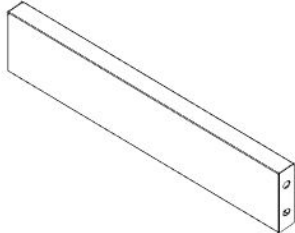
## METAL COMPONENTS (NOT TO SCALE)



**H2 STAINLESS STEEL HANDLE - A4M03024**  
(x11) 5/8"x1 9/16"x11 13/16" (16x40x300)



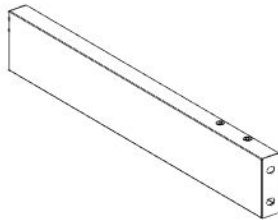
**H3 TRASH CAN BRACKET ASSEMBLY - A4M03610**  
(x1) 18 1/16"x15 13/16"x1 3/8" (35x401x458)



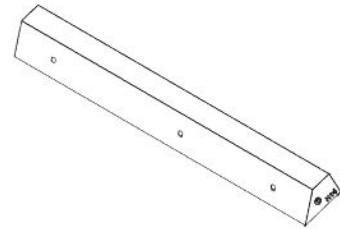
**H4 CABINET HORIZONTAL BEAM ASSEMBLY - A4M03575**  
(x4) 16 1/4"x3 3/8"x1" (25x85x413)



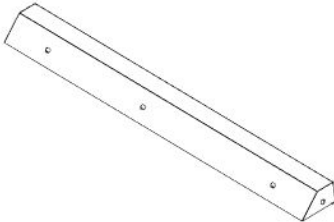
**H11 DRAWER FIXING PIECE ASSEMBLY - A4M03692**  
(x1) 5 3/8"x1 1/16"x11/16" (17x27x137)



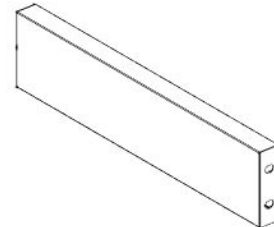
**H12 HORIZONTAL BEAM ASSEMBLY - A4M03695**  
(x4) 18 1/4"x2 15/16"x1" (25x75x464)



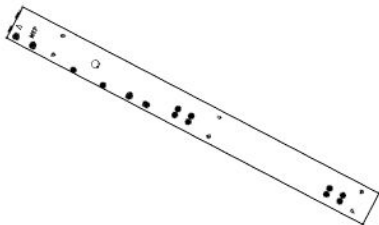
**H14 CABINET FRONT DOOR BRACKET ASSEMBLY - A4M04717**  
(x1) 33 3/8"x3 1/4"x1 3/4" (45x83x848)



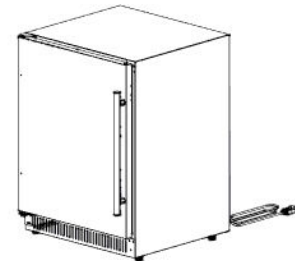
**H15 CABINET FRONT DOOR HINGE BRACKET ASSEMBLY - A4M04718**  
(x1) 33 3/8"x3 1/4"x1 3/4" (45x83x848)



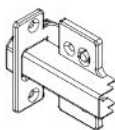
**H16 CABINET HORIZONTAL BEAM ASSEMBLY - A4M04719**  
(x1) 14 5/8"x3 3/8"x1" (25x85x372)



**H17 HINGE CHANNEL ASSEMBLY - A4M04841**  
(x1) 33 3/8"x2 15/16"x11/16" (18.00x74.80x847.00)



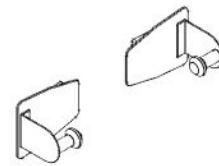
**9230132 OUTDOOR KITCHEN FRIDGE - LEFT OPEN**  
(x1)



**A4M03025 FULL OVERLAY HINGE**  
(x12)



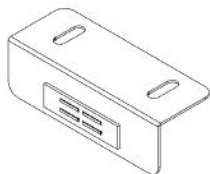
**A4M03151 GARDEN HOSE ADAPTER**  
(x1)



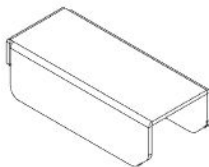
**A4M02290 MAGNETIC PAPER TOWEL HOLDER**  
(x1)

# OWNER'S MANUAL - PARTS IDENTIFICATION

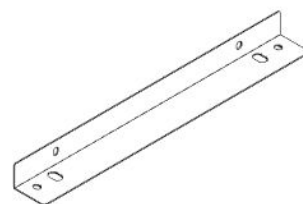
## METAL COMPONENTS (NOT TO SCALE)



**A2 MAGNET BRACKET - A4M03026**  
(x7) 1"x1 1/4"x3 1/8" (25x31x80)



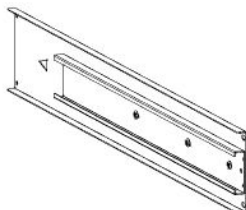
**A5 SHELF BRACKET - A4M03141**  
(x14) 5/8"x7/8"x2 1/16" (16x22x53)



**A6 ANGLED BRACKET - A4M03053**  
(x4) 1 3/8"x1 15/16"x17 1/8" (35x50x435)



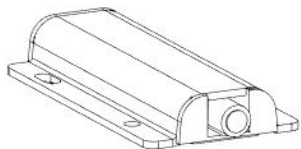
**A9 HOSE BRACKET ASSEMBLY - A4M03060**  
(x1) 1 1/4"x1 7/16"x2 9/16" (31x36x65)



**A10 SLIDE BRACKET ASSEMBLY - A4M03083**  
(x1) 15/16"x3 3/8"x22 5/8" (23x85x575)



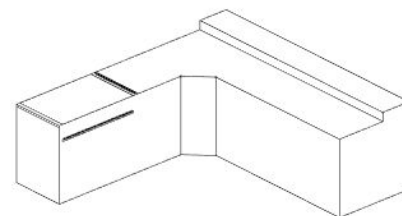
**A11 TRIANGLE PANEL - A4M03086**  
(x2) 13/16"x13 3/4"x13 3/4" (20x350x350)



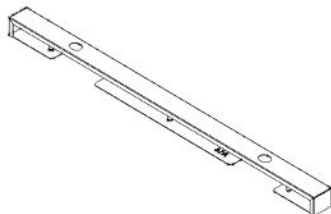
**A12 DOOR STOPPER - A4M04128**  
(x1) 3 11/16"x1 3/4"x1/2" (13x45x94)



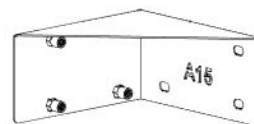
**A13 GAS TANK HOLDER ASSEMBLY - A4M03047**  
(x1) 1 15/16"x12 7/8"x14 3/4" (49x327x374)



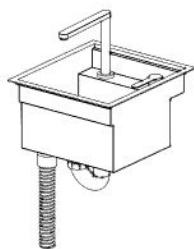
**A6P01439 COVER**  
(x1)



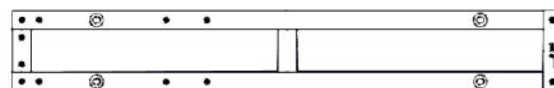
**A14 COUNTERTOP BRACKET ASSEMBLY - A4M04846**  
(x1) 24 3/16"x1 3/8"x1 1/4" (31x35x614)



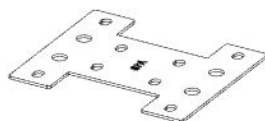
**A15 DOOR STOPPER BRACKET ASSEMBLY - A4M04480**  
(x1) 3 15/16"x3 3/4"x1 15/16" (50x95x100)



**A16 SINK ASSEMBLY - A4M03143**  
(x1) 15 1/8"x15 5/16"x16 7/8" (384x389x429)



**A17 SUPPORT FRAME ASSEMBLY - A4M04723**  
(x2) 54 1/2"x8 1/4"x1" (25x210x1384.8)



**A18 SUPPORT FRAME CONNECTING PIECE - A4M04724**  
(x1) 1/8"x7 1/16"x8 1/4" (3x180x210)



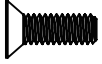
**A19 TRIANGLE BRACKET L - A4M04727**  
(x2) 14 11/16"x7 7/8"x1 15/16" (50x200.00x373.1)



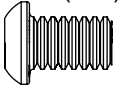
**A20 TRIANGLE BRACKET R - A4M04728**  
(x2) 14 11/16"x7 7/8"x1 15/16" (50x200x373)

# OWNER'S MANUAL - PARTS IDENTIFICATION

## HARDWARE COMPONENTS



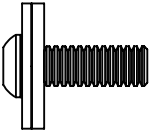
**H101185 | PHILLIPS FLAT HEAD**  
(x72) | 8-32x.5



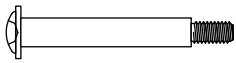
**H101292 | TORX PAN HEAD**  
(x30) | 1/4-20x13/32"



**H101289 | PAN HEAD SCREW**  
(x85) | 8-32x1/2" SS



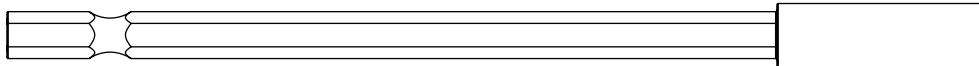
**H101202 | TORX PAN HEAD**  
(x174) | 1/4-20x3/4 ASSY



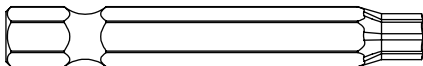
**H101307 | SHOULDER BOLT**  
(x22) | 8-32x30mm SS



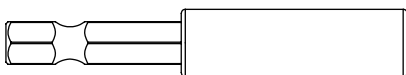
**H101404 | TORX SOCKET SCREW**  
(x4) | 5/16-18x1 1/16"



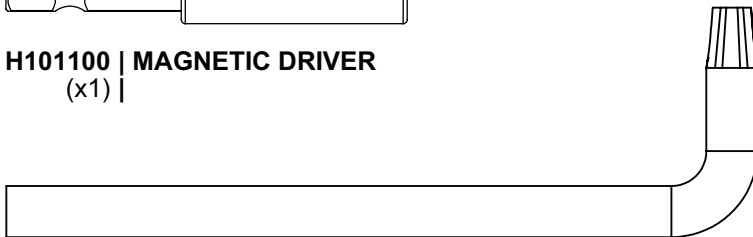
**H101278 | MAGNETIC DRIVER EXTENSION**  
(x1) | 6"



**H100147 | TORX BIT**  
(x1) | T-30



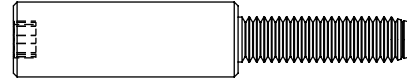
**H101100 | MAGNETIC DRIVER**  
(x1) |



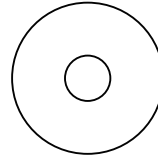
**H100114 | TORX BIT**  
(x1) | T-30



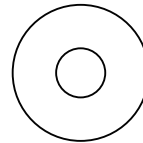
**H101287 | PAN HEAD SCREW**  
(x6) | 8-32x1" SS



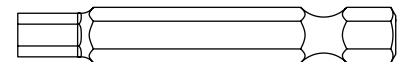
**H101103 | TORX SOCKET SCREW**  
(x39) | 1/4-20



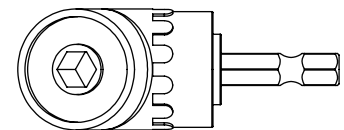
**H101053 | STEEL WASHER**  
(x26) | 6x20



**H101054 | SEALANT WASHER**  
(x26) | 6.5x18



**H101294 | HEX DRIVER**  
(x1) |



**H101114 | RIGHT ANGLE  
DRILL ADAPTER**  
(x1) |

# PRE-ASSEMBLY STEP 1 - SORTING PARTS

It is critical for ease of assembly that you take the time to sort and organize the parts and hardware.

---

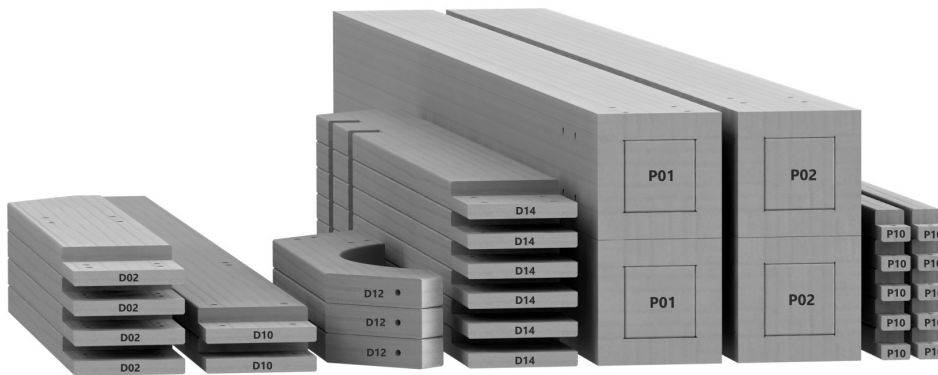
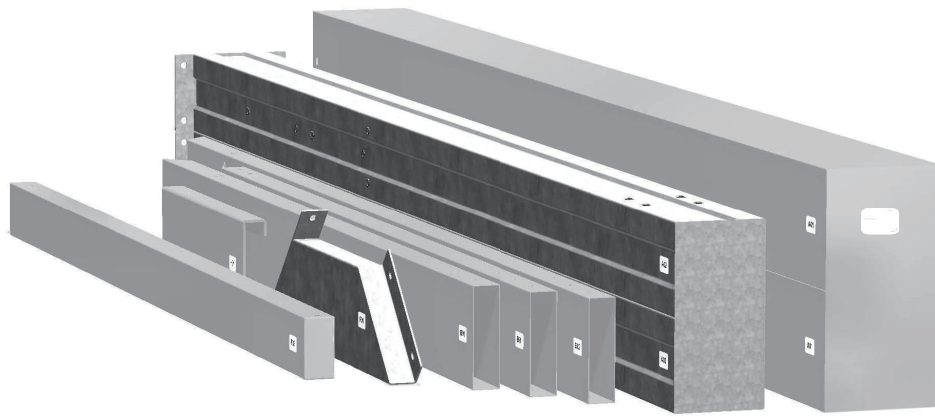
## METAL PARTS:

- Organize metal parts by the three-digit, alpha-numeric number stamped on each part (ex. P01).
- If there are multiple parts with the same stamped number, stack those pieces together.
- Stamps can be found on the flat surface of the parts or on the end of the parts.
- Allow yourself plenty of room - the parts can take up a significant amount of space.

## WOOD PARTS:

- Organize wood parts by the three-digit, alpha-numeric number stamped on each board (ex. P01).
- If there are multiple boards with the same stamped number, stack those pieces together.
- Stamps can be found on the flat surface of the boards or on the end of the boards.
- Allow yourself plenty of room - the wood pieces can take up a significant amount of space.

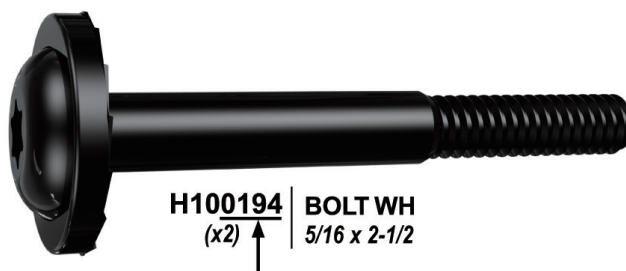
**NOTE: CARTONS ARE NOT ORGANIZED BY PART OR STEP NUMBER.**



---

## HARDWARE PARTS:

- We recommend that you have a separate table to organize the hardware.
- Hardware bags are printed with a seven-digit, alpha-numeric part number.
- You can organize your hardware by part number or group by hardware type (e.g. bolts, nuts, etc.).
- During assembly you only need to reference the last four digits of the number.



# PRE-ASSEMBLY STEP 2 - TOOLS REQUIRED



Cordless Drill or  
Electric Drill



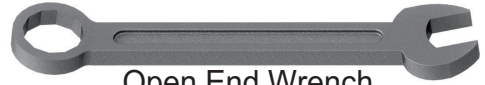
Drill Attachments:  
Phillips Head



1/8", 3/16", 3/8" &  
7/16" Drill Bits



Phillips Screw Driver



Open End Wrench  
7/16"



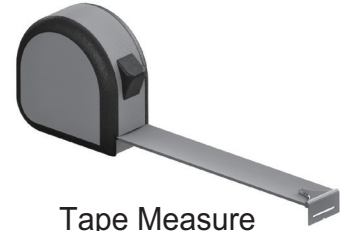
3/8" Drive Ratchet, 1/2" &  
7/16" STD Sockets 1/2" & 7/16"  
Deep Sockets



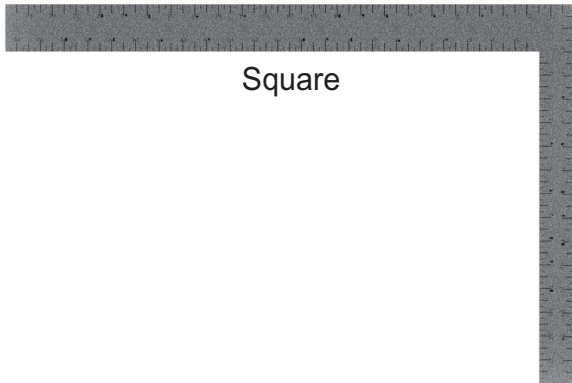
Claw Hammer



Rubber Mallet -  
Optional



Tape Measure



Square

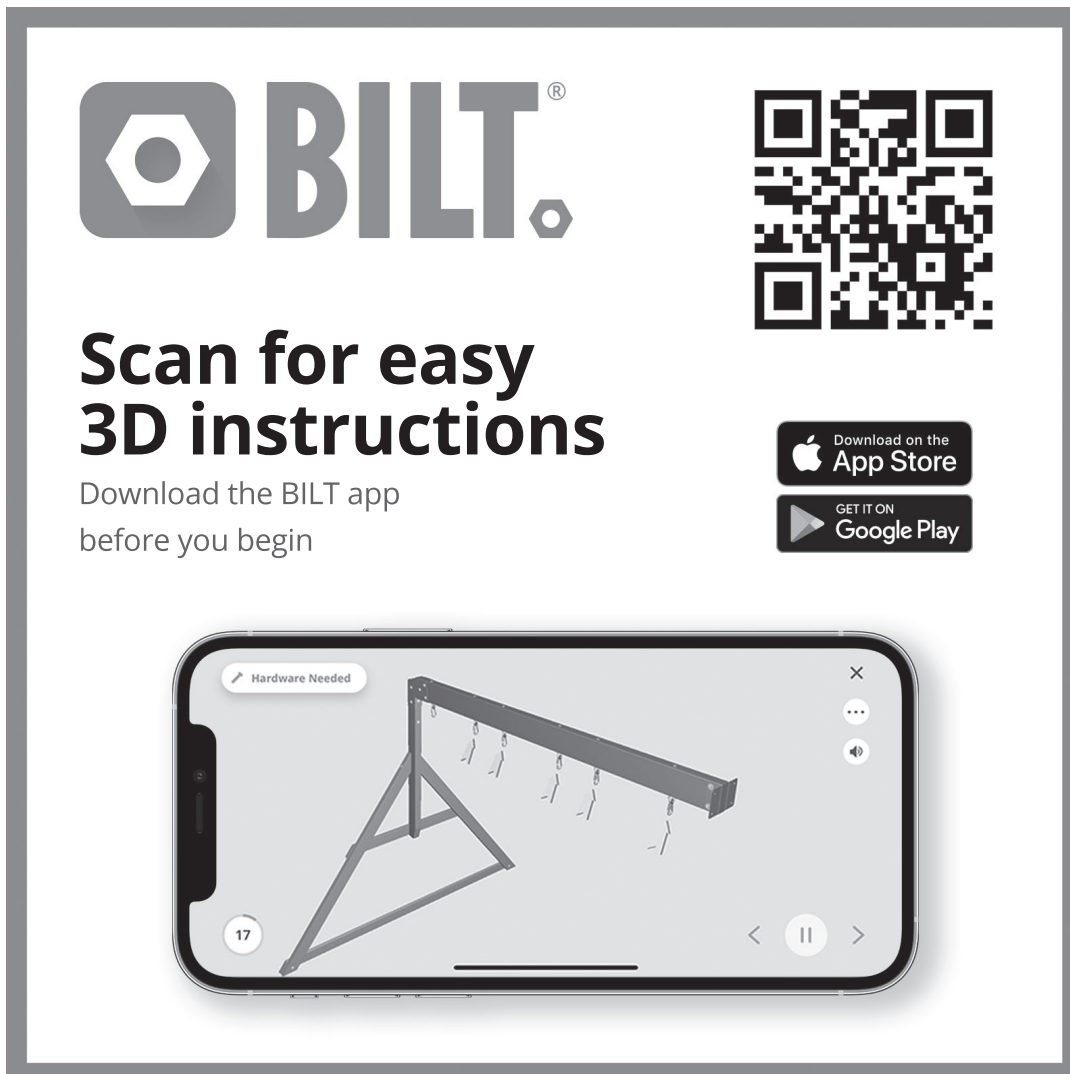


Level 24"

# PRE-ASSEMBLY STEP 3 - CHOOSE YOUR ASSEMBLY METHOD

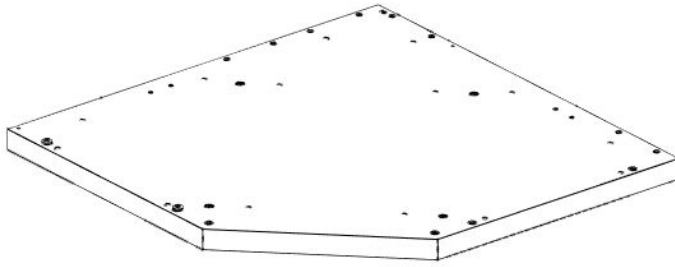
There are several types of assembly instructions available to you.

1. Printed Assembly Manual included with your set
2. BILT APP - 3D interactive instructions
3. Combination of the Printed Manual and BILT APP (Note: Step numbers can differ between the two methods)



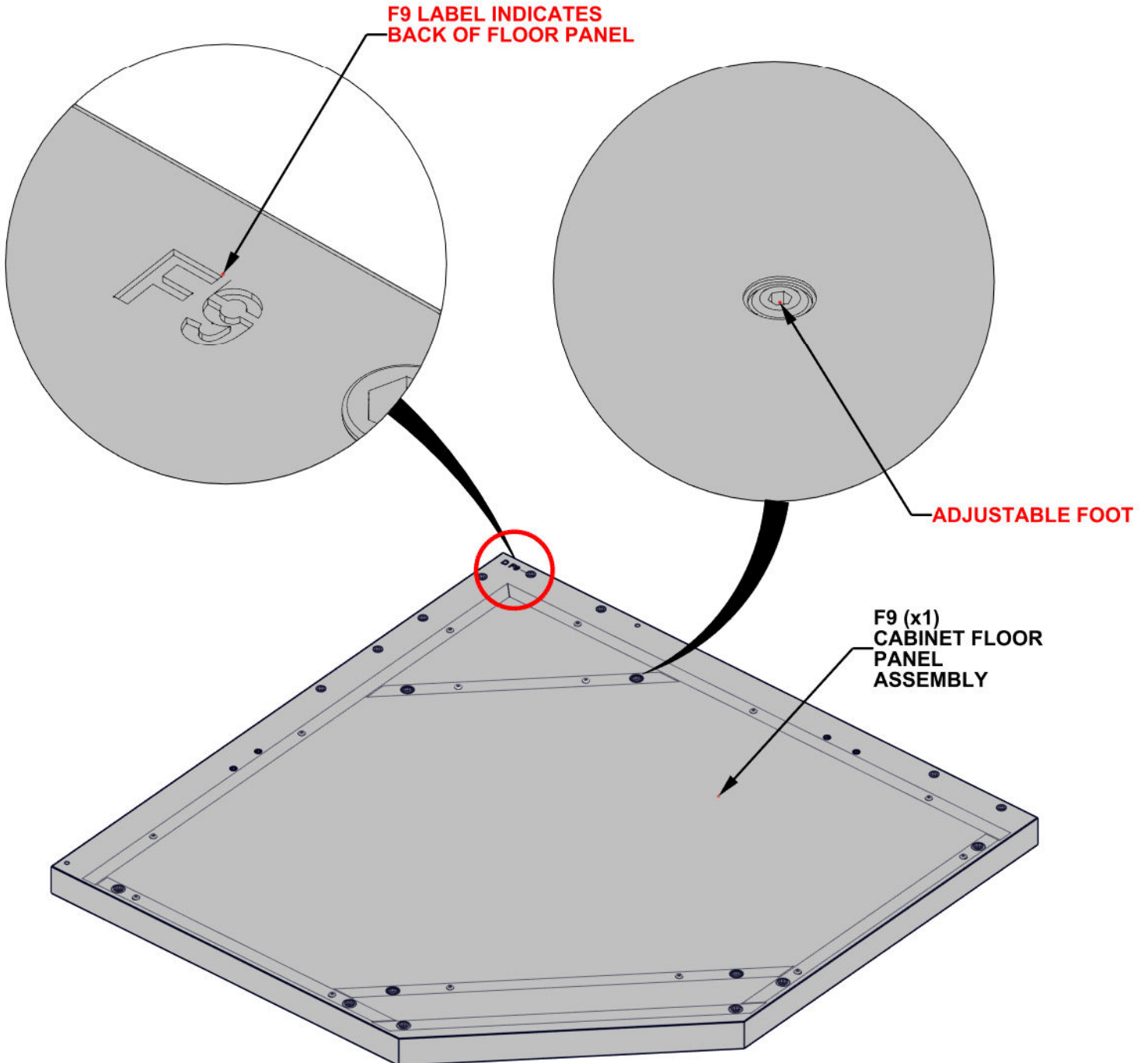
The graphic is a rectangular frame containing the BILT logo (a hexagon with a dot inside) and the word "BILT." with a registered trademark symbol. To the right is a large QR code. Below the logo is the text "Scan for easy 3D instructions" and "Download the BILT app before you begin". To the right of this text are two buttons: "Download on the App Store" and "GET IT ON Google Play". At the bottom is a smartphone displaying a 3D assembly instruction for a metal frame, with a "Hardware Needed" label, a close button, a menu button, a volume icon, a page number "17", and navigation arrows.

# STEP 1A - CABINET FLOOR PANEL ASSEMBLY

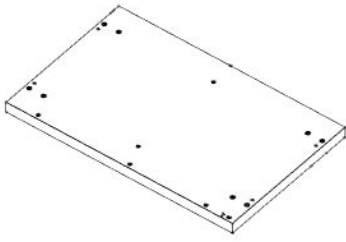


F9 CABINET FLOOR PANEL ASSEMBLY - A4M04702  
(x1) 36"x36"x2 5/8" (66x914x914)

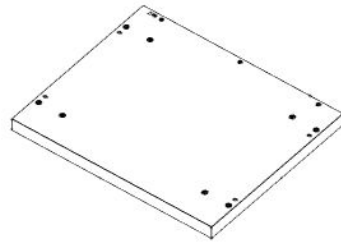
- POSITION CABINET FLOOR PANEL IN THE PROXIMITY OF WHERE THE CORNER OF YOUR KITCHEN ISLAND WILL BE.
- EACH FLOOR PANEL HAS FACTORY INSTALLED ADJUSTABLE FEET. USE PROVIDED HEX DRIVER TO ADJUST EACH FOOT UNTIL PANEL IS LEVEL.



# STEP 1B - CABINET FLOOR PANEL ASSEMBLY

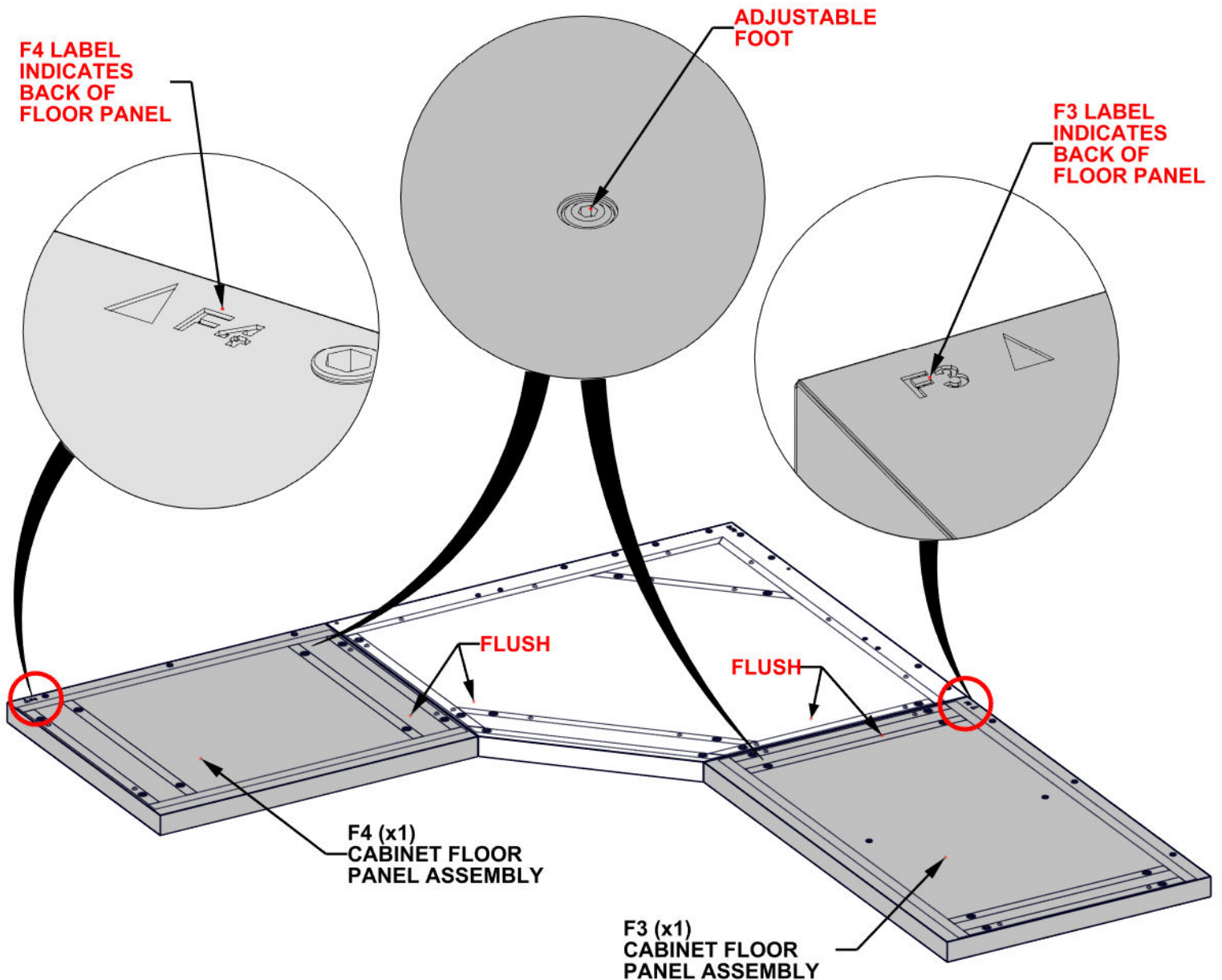


F3 CABINET FLOOR PANEL ASSEMBLY - A4M03560  
(x1) 37 3/16"x23 3/8"x2 5/8" (66x594x944)



F4 CABINET FLOOR PANEL ASSEMBLY - A4M03595  
(x1) 28 1/8"x23 3/8"x2 5/8" (66x594x715)

- POSITION CABINET FLOOR PANELS (F3/F4) AS SHOWN BELOW .
- EACH FLOOR PANEL HAS FACTORY INSTALLED ADJUSTABLE FEET. USE PROVIDED HEX DRIVER TO ADJUST EACH FOOT UNTIL PANEL IS LEVEL.
- **FLUSH ALL SIDES OF FLOOR PANELS.**

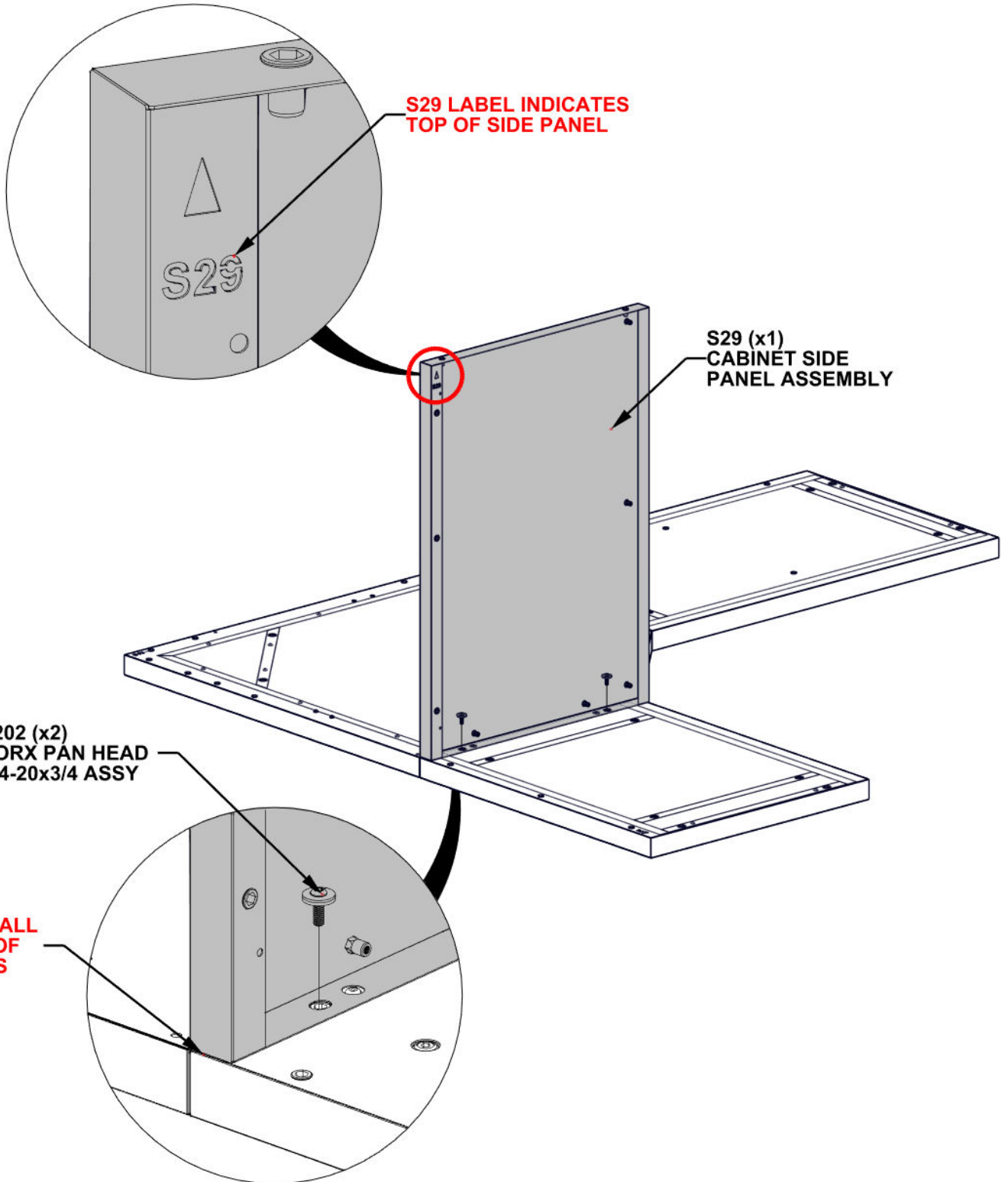


# STEP 2 - SINK CABINET ASSEMBLY

Qty	PartNo	Description
2	H101202	TORX PAN HEAD 1/4-20x3/4 ASSY

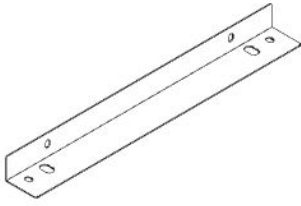


**S29 CABINET SIDE PANEL ASSEMBLY - A4M04833**  
(x1) 33 3/8"x23 3/8"x1 3/8" (35.00x594x848.20)

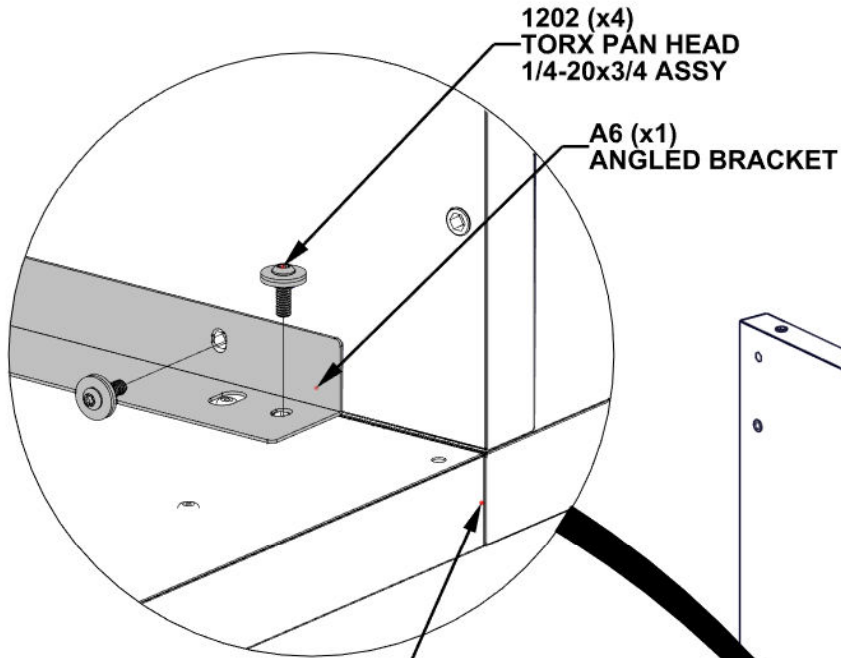


# STEP 3 - SINK CABINET ASSEMBLY

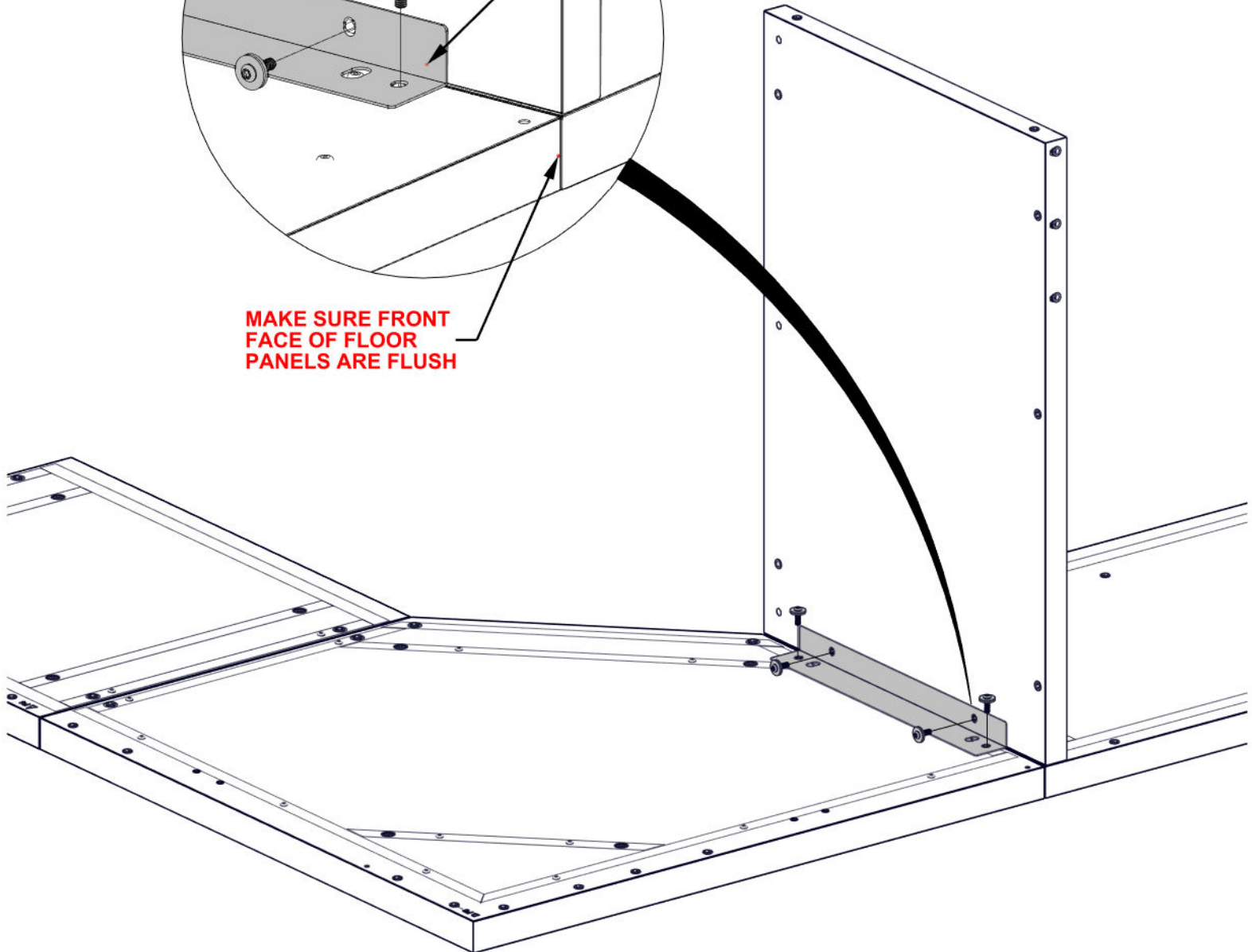
Qty	PartNo	Description
4	H101202	TORX PAN HEAD 1/4-20x3/4 ASSY



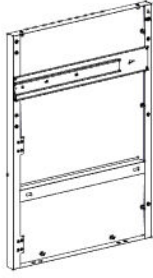
**A6 ANGLED BRACKET - A4M03053**  
(x1) 1 3/8"x1 15/16"x17 1/8" (35x50x435)



**MAKE SURE FRONT  
FACE OF FLOOR  
PANELS ARE FLUSH**



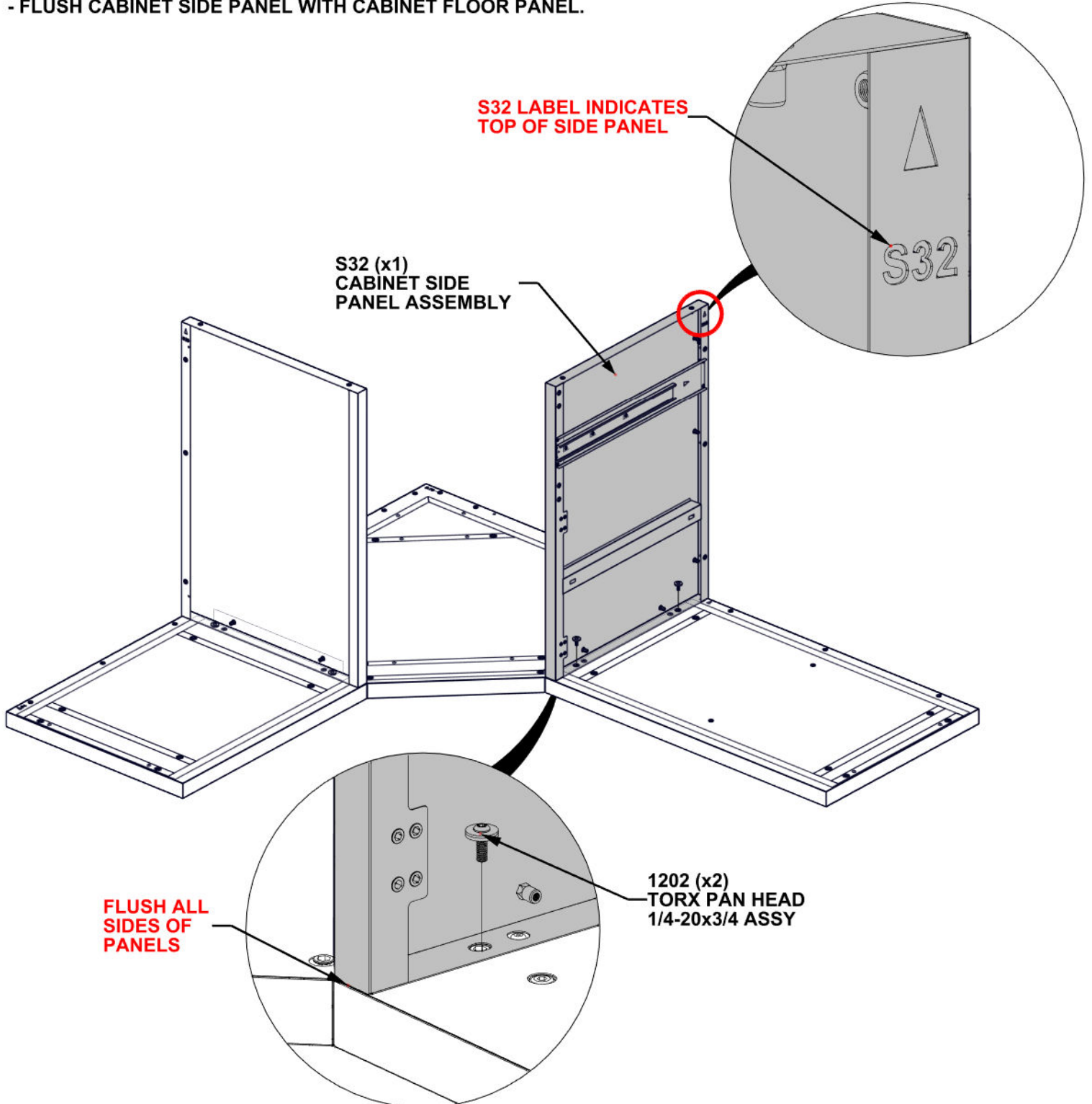
# STEP 4 - SINK CABINET ASSEMBLY



Qty	PartNo	Description
2	H101202	TORX PAN HEAD 1/4-20x3/4 ASSY

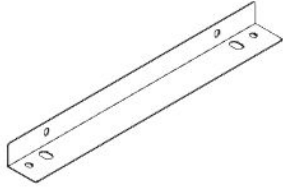
S32 CABINET SIDE PANEL ASSEMBLY - A4M04837  
 (x1) 33 3/8"x23 3/8"x1 3/8" (35.00x594.00x848.20)

- POSITION CABINET SIDE PANEL AS SHOWN BELOW.
- FLUSH CABINET SIDE PANEL WITH CABINET FLOOR PANEL.

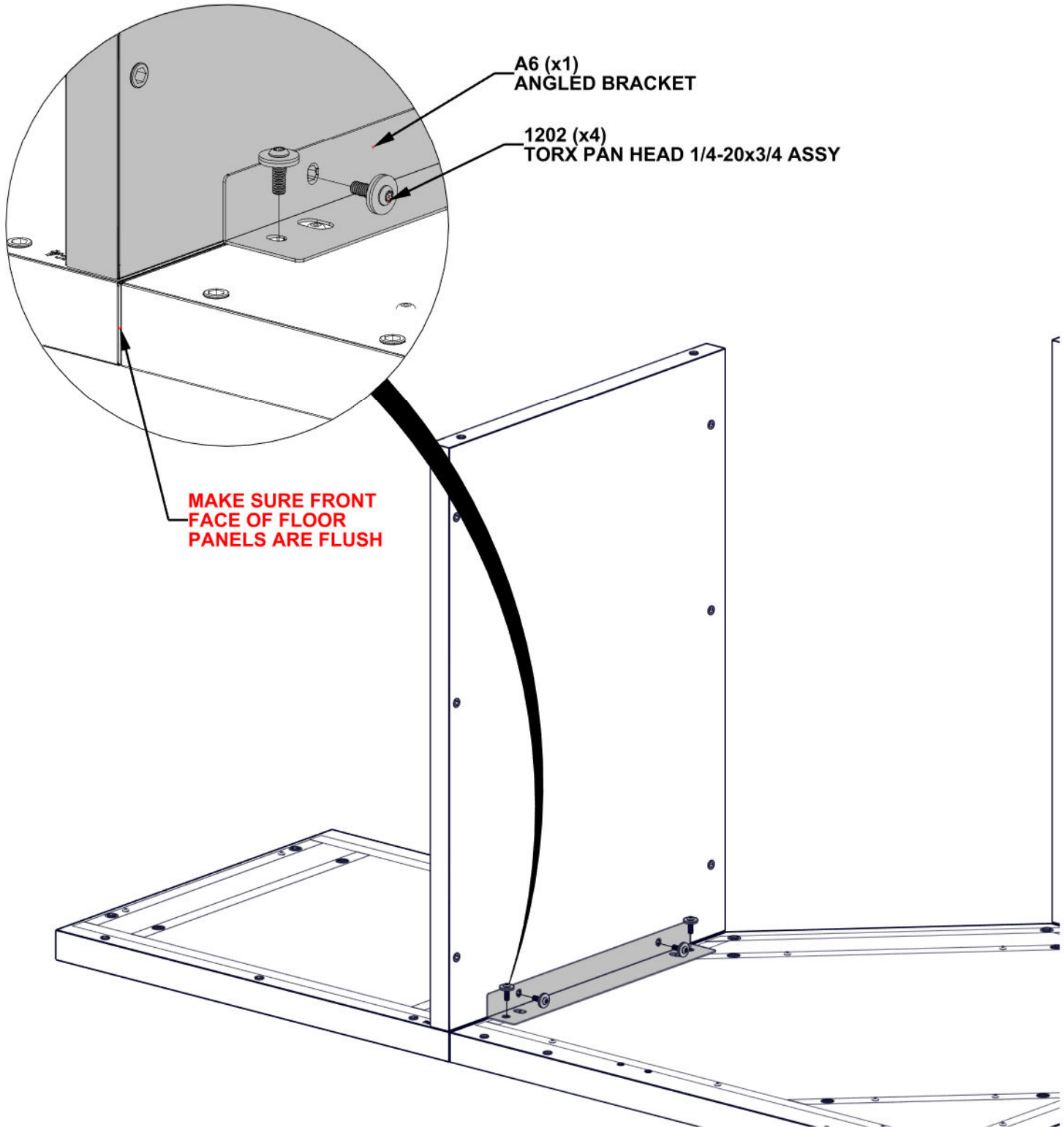


# STEP 5 - SINK CABINET ASSEMBLY

Qty	PartNo	Description
4	H101202	TORX PAN HEAD 1/4-20x3/4 ASSY

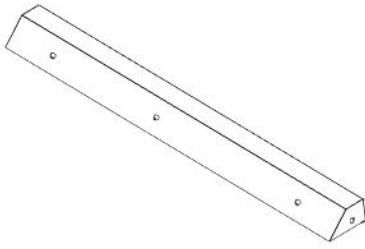


**A6 ANGLED BRACKET - A4M03053**  
(x1) 1 3/8"x1 15/16"x17 1/8" (35x50x435)

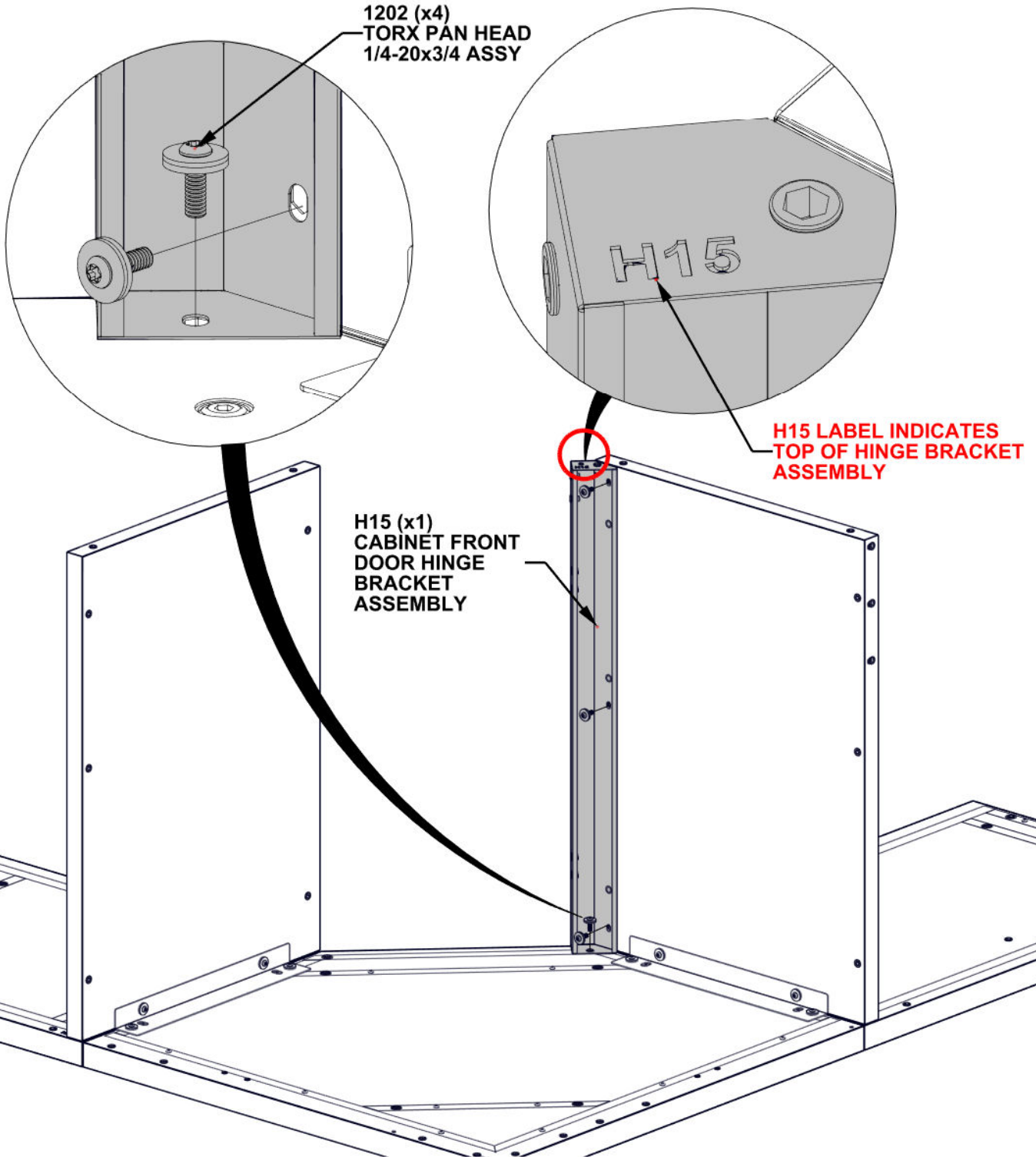


# STEP 6 - SINK CABINET ASSEMBLY

Qty	PartNo	Description
4	H101202	TORX PAN HEAD 1/4-20x3/4 ASSY

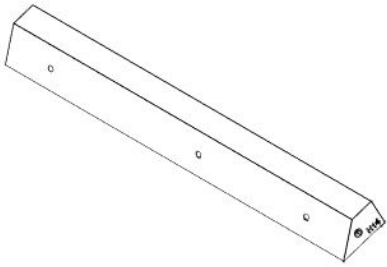


H15 CABINET FRONT DOOR HINGE BRACKET ASSEMBLY - A4M04718  
(x1) 33 3/8"x3 1/4"x1 3/4" (45x83x848)

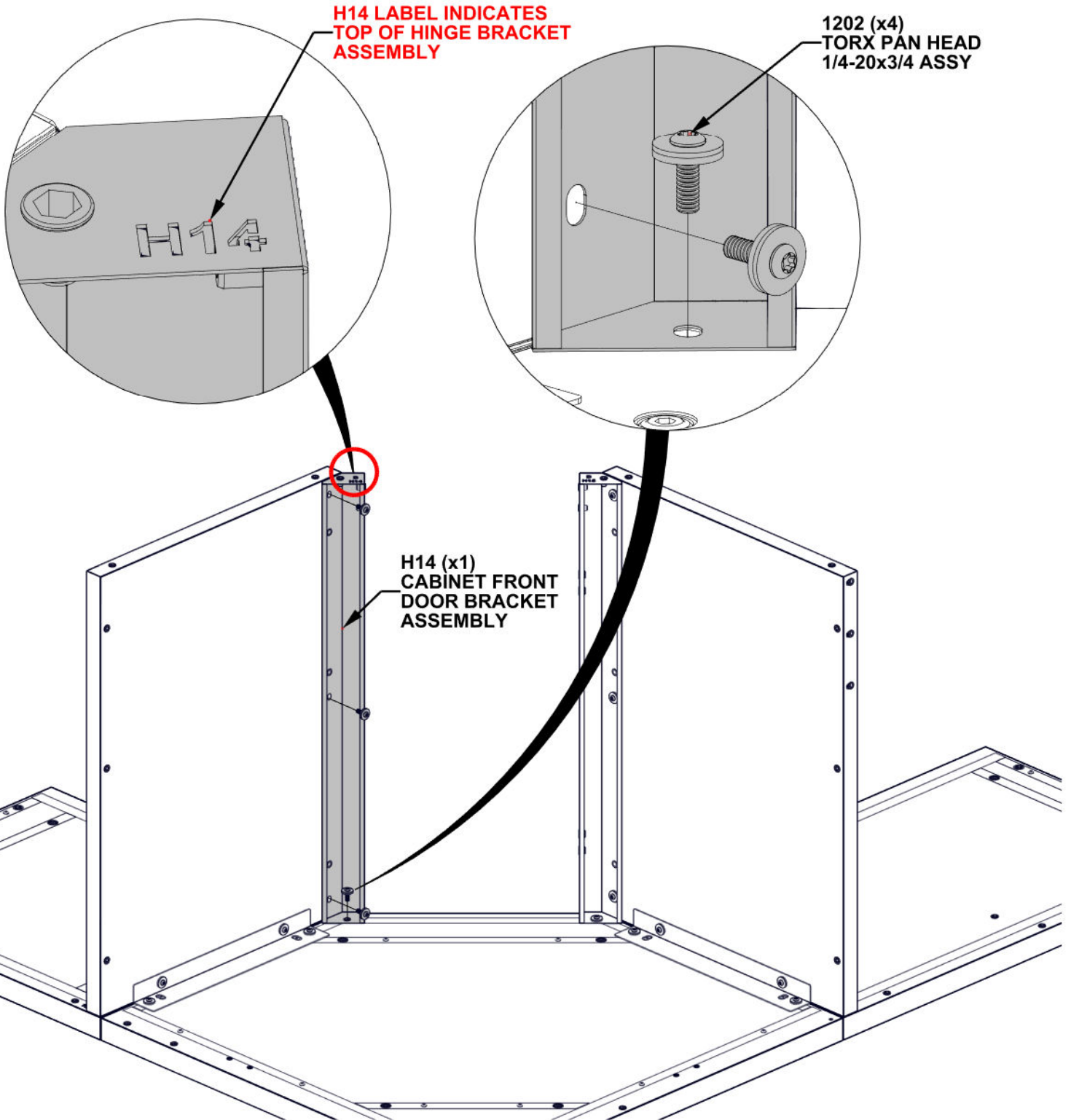


# STEP 7 - SINK CABINET ASSEMBLY

Qty	PartNo	Description
4	H101202	TORX PAN HEAD 1/4-20x3/4 ASSY

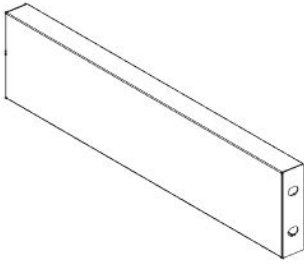


**H14 CABINET FRONT DOOR BRACKET ASSEMBLY - A4M04717**  
(x1) 33 3/8"x3 1/4"x1 3/4" (45x83x848)



# STEP 8 - SINK CABINET ASSEMBLY

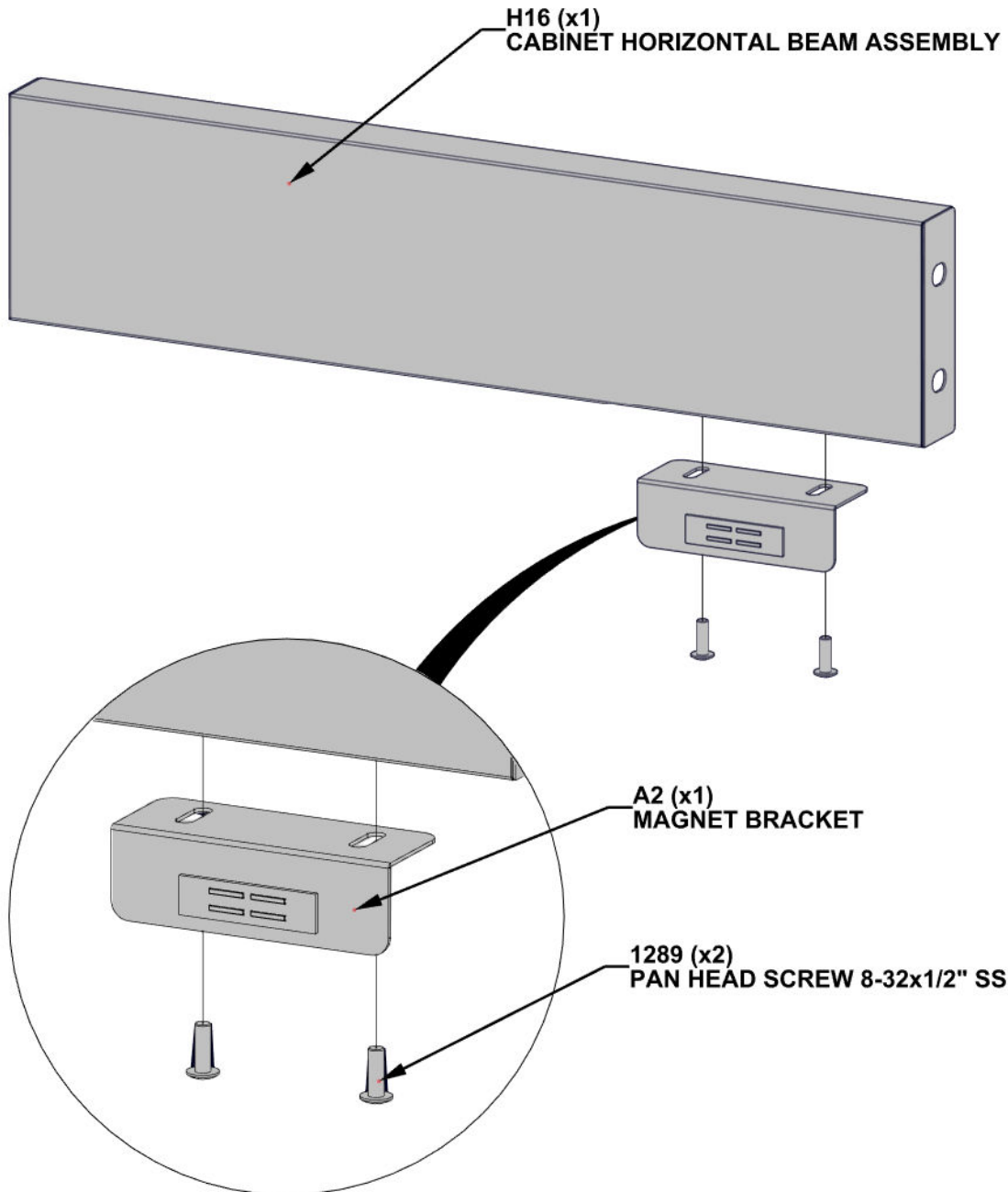
Qty	PartNo	Description
2	H101289	PAN HEAD SCREW 8-32x1/2" SS



**H16 CABINET HORIZONTAL BEAM ASSEMBLY - A4M04719**  
 (x1) 14 5/8"x3 3/8"x1" (25x85x372)

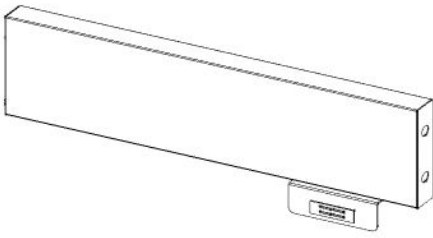


**A2 MAGNET BRACKET - A4M03026**  
 (x1) 1"x1 1/4"x3 1/8" (25x31x80)



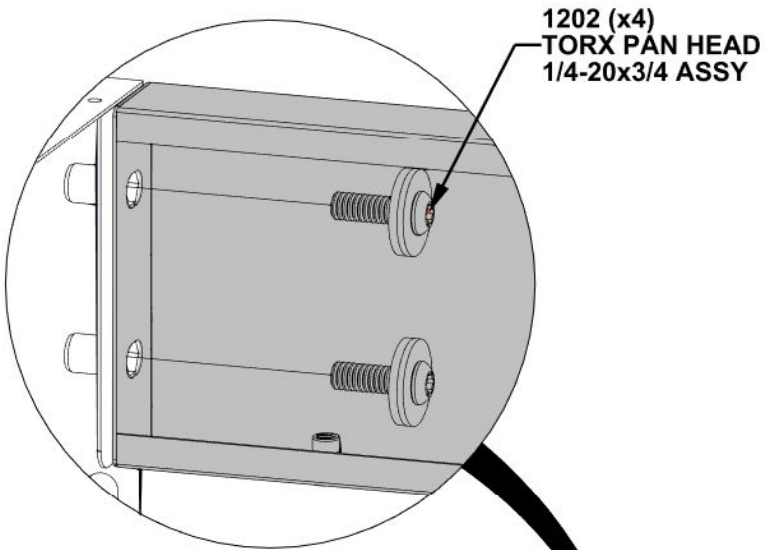
# STEP 9 - SINK CABINET ASSEMBLY

Qty	PartNo	Description
4	H101202	TORX PAN HEAD 1/4-20x3/4 ASSY

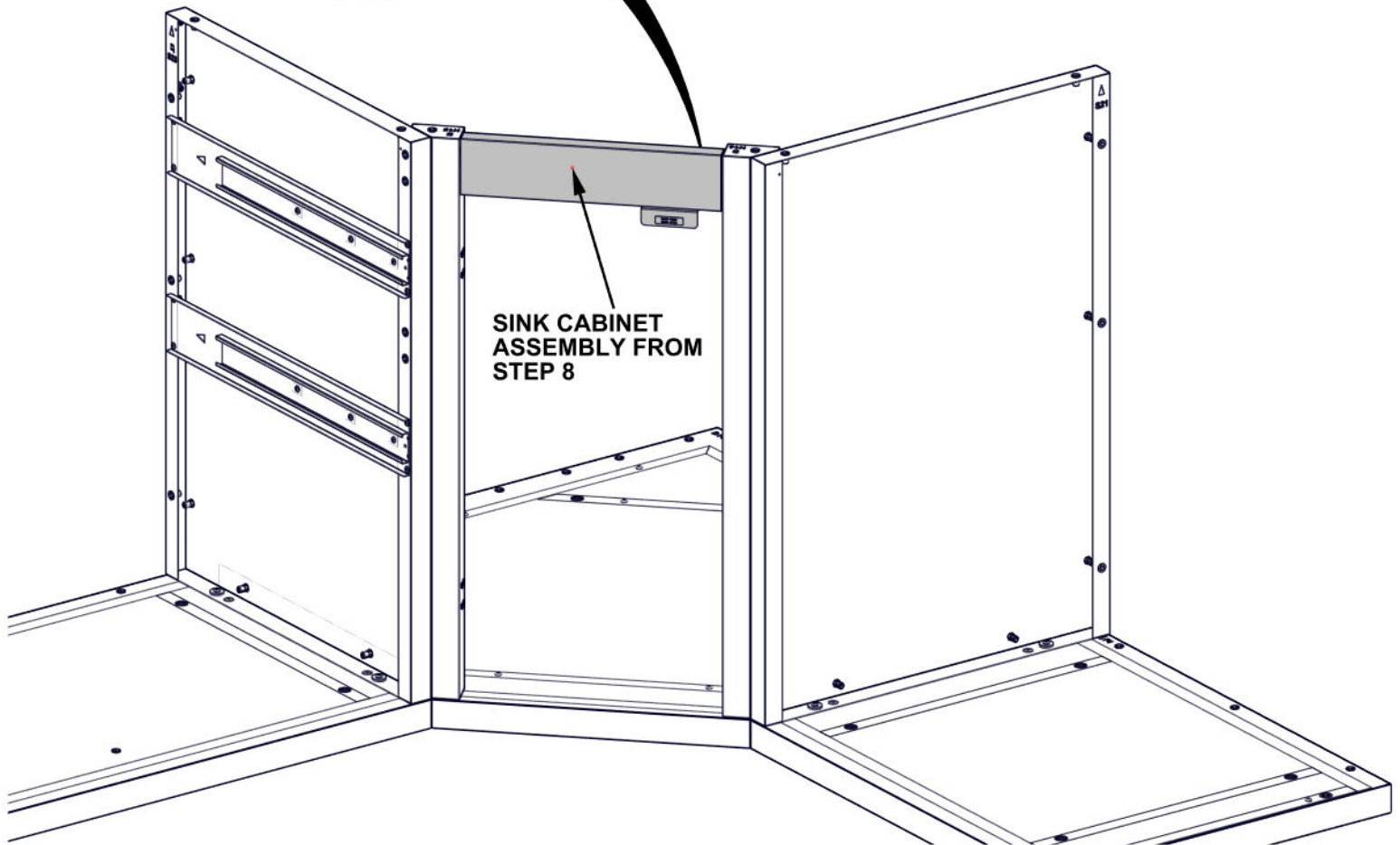


SINK CABINET ASSEMBLY FROM STEP 8

## - HARDWARE ATTACHES ON INSIDE OF CABINET



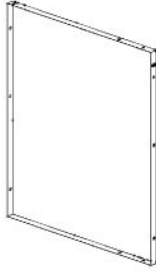
1202 (x4)  
TORX PAN HEAD  
1/4-20x3/4 ASSY



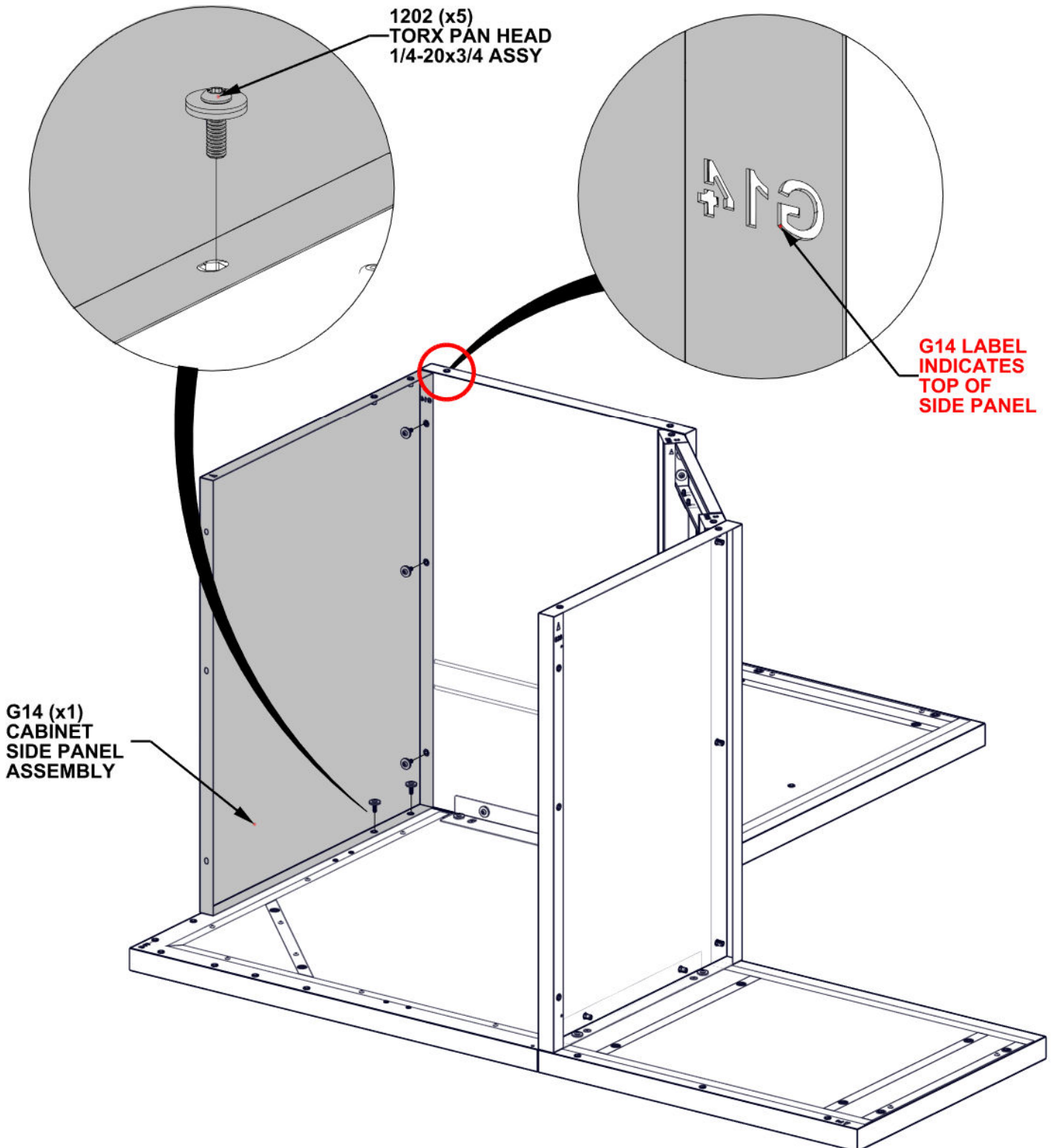
SINK CABINET  
ASSEMBLY FROM  
STEP 8

# STEP 10 - SINK CABINET ASSEMBLY

Qty	PartNo	Description
5	H101202	TORX PAN HEAD 1/4-20x3/4 ASSY



G14 SINK CABINET SIDE PANEL ASSEMBLY - A4M04716  
(x1) 27 5/16"x33 3/8"x1 3/16" (30x847.2x693)

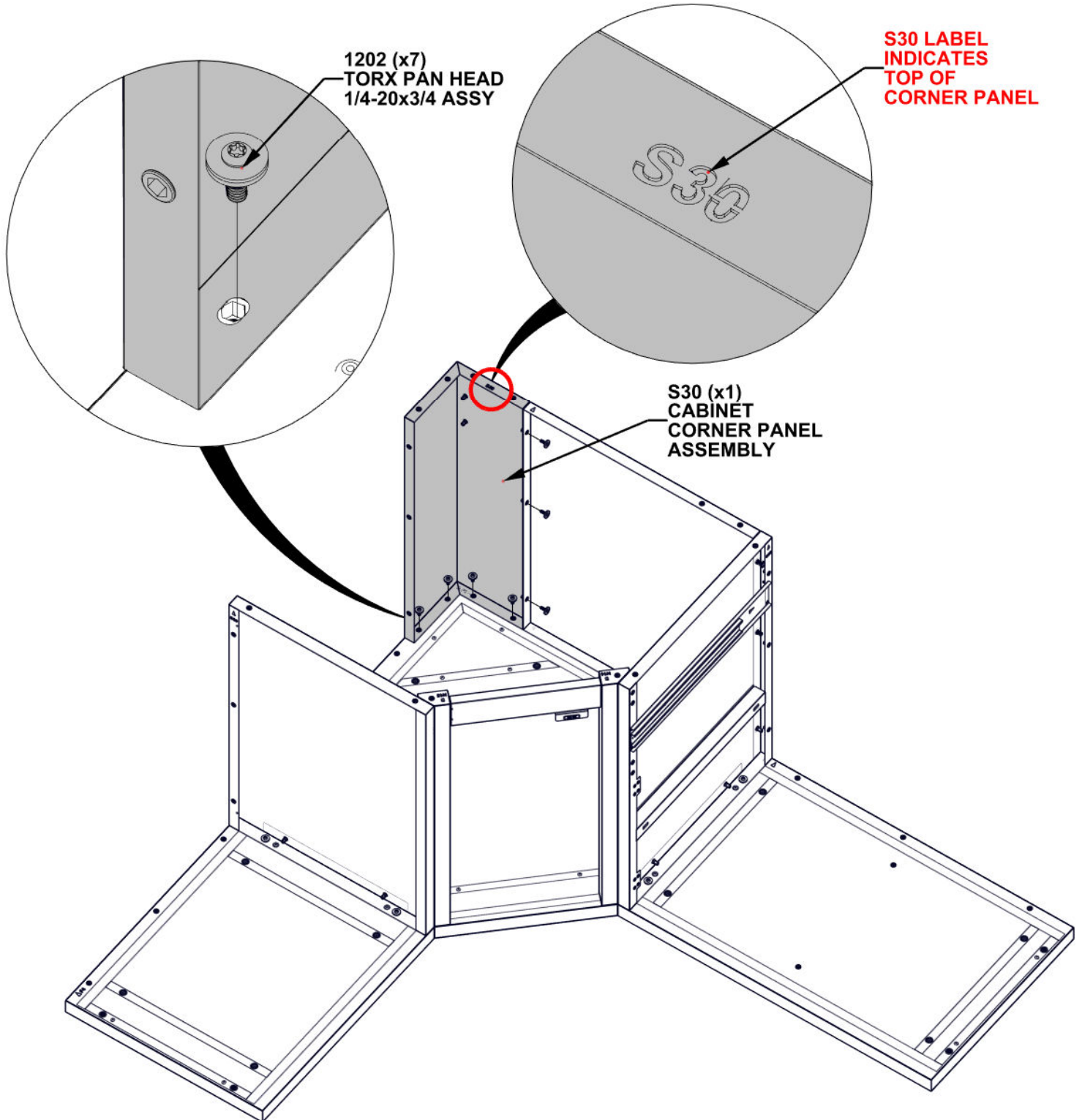


# STEP 11 - SINK CABINET ASSEMBLY



Qty	PartNo	Description
7	H101202	TORX PAN HEAD 1/4-20x3/4 ASSY

S30 CABINET CORNER PANEL ASSEMBLY - A4M04847  
 (x1) 33 3/8"x8 11/16"x8 11/16" (220.00x220.00x848.00)

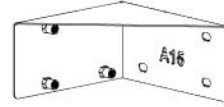


# STEP 12 - SINK CABINET ASSEMBLY

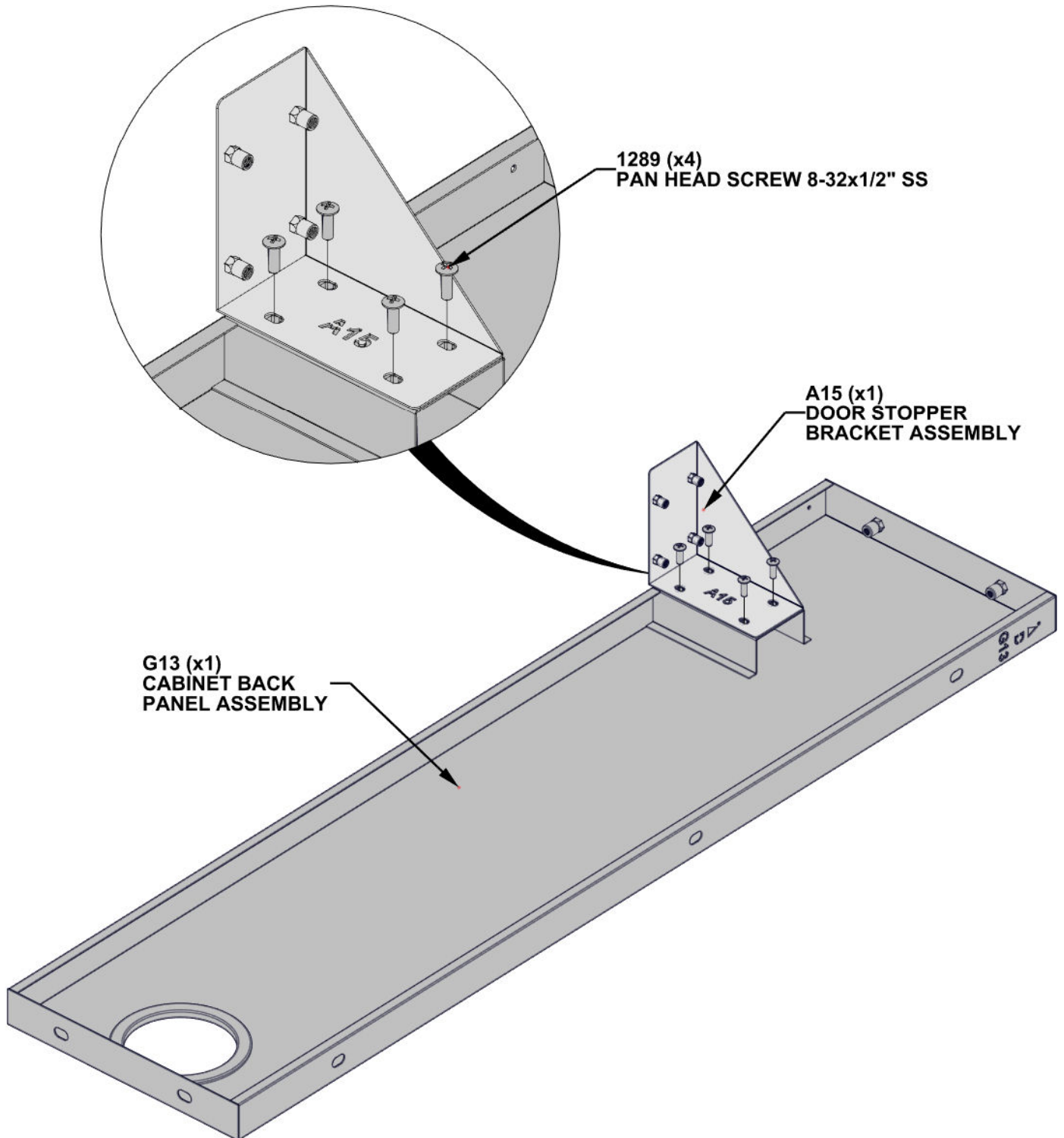


**G13 CABINET BACK PANEL ASSEMBLY - A4M04715**  
(x1) 33 3/8"x8 1/2"x1 3/16" (30x215x848)

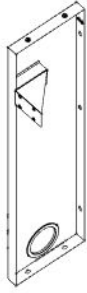
Qty	PartNo	Description
4	H101289	PAN HEAD SCREW 8-32x1/2" SS



**A15 DOOR STOPPER BRACKET ASSEMBLY - A4M04480**  
(x1) 3 15/16"x3 3/4"x1 15/16" (50x95x100)

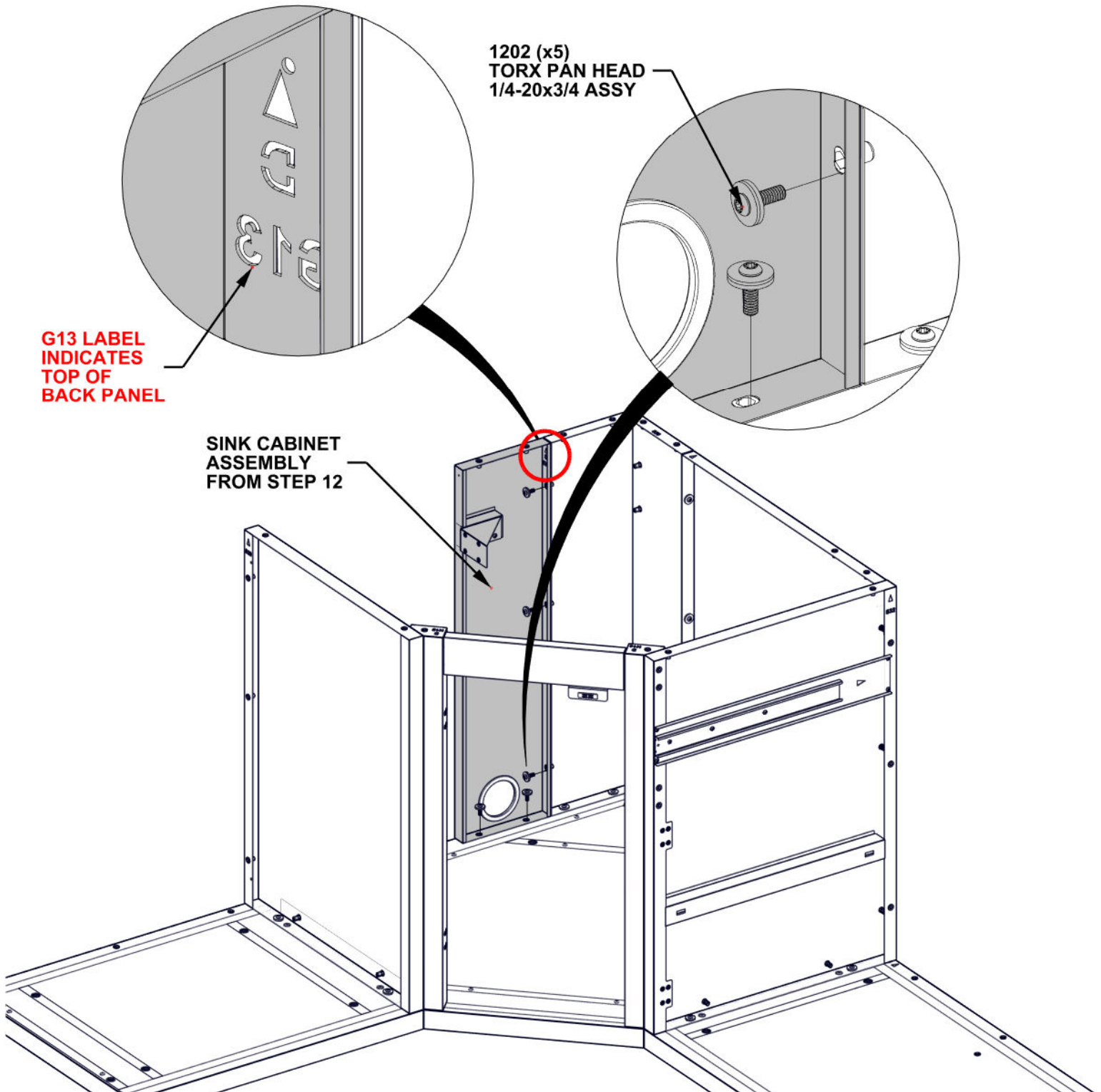


# STEP 13 - SINK CABINET ASSEMBLY



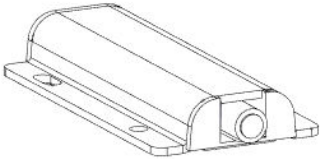
Qty	PartNo	Description
5	H101202	TORX PAN HEAD 1/4-20x3/4 ASSY

SINK CABINET ASSEMBLY FROM STEP 12

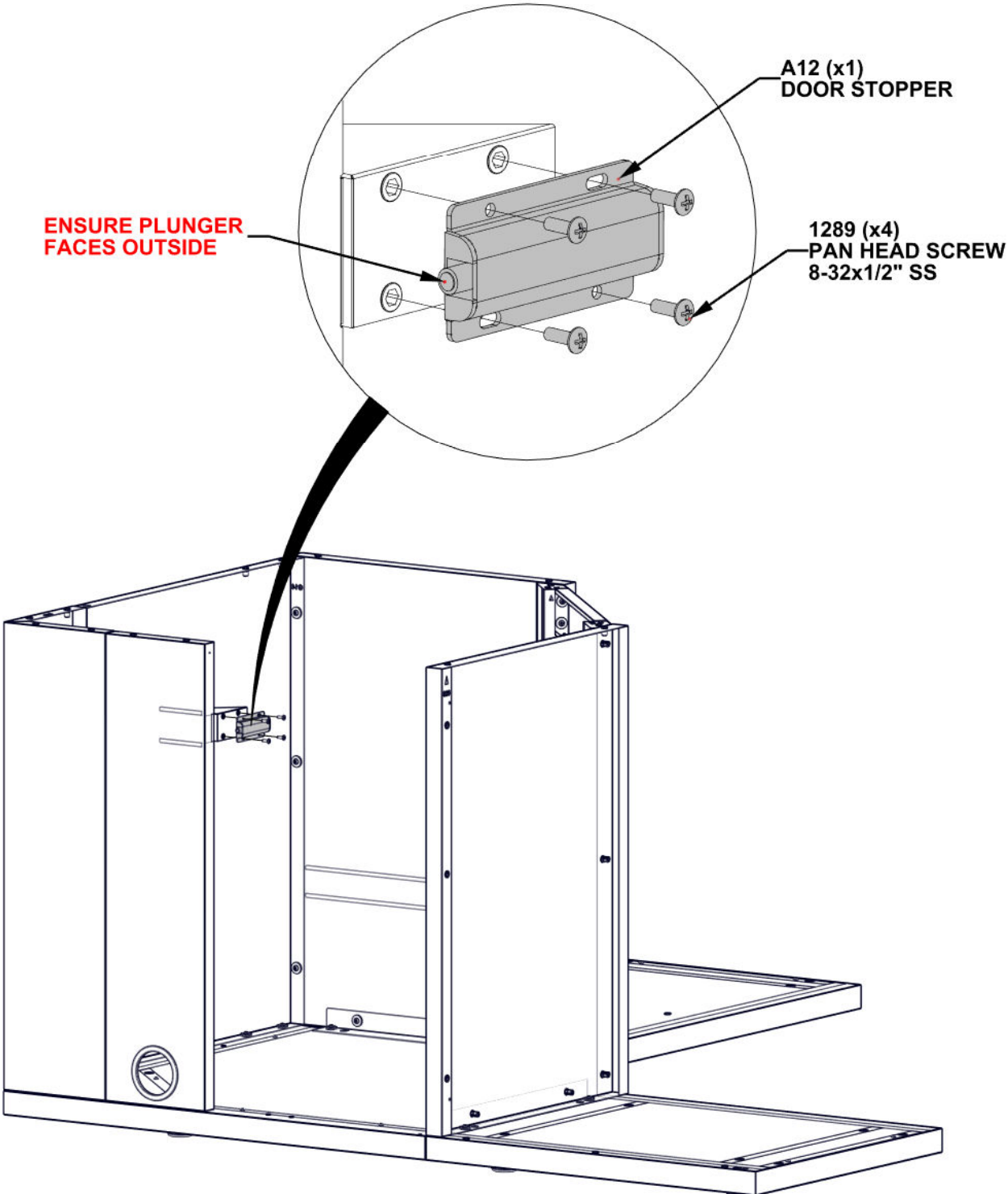


# STEP 14 - SINK CABINET ASSEMBLY

Qty	PartNo	Description
4	H101289	PAN HEAD SCREW 8-32x1/2" SS



**A12 DOOR STOPPER - A4M04128**  
(x1) 3 11/16"x1 3/4"x1/2" (13.3x45x94)

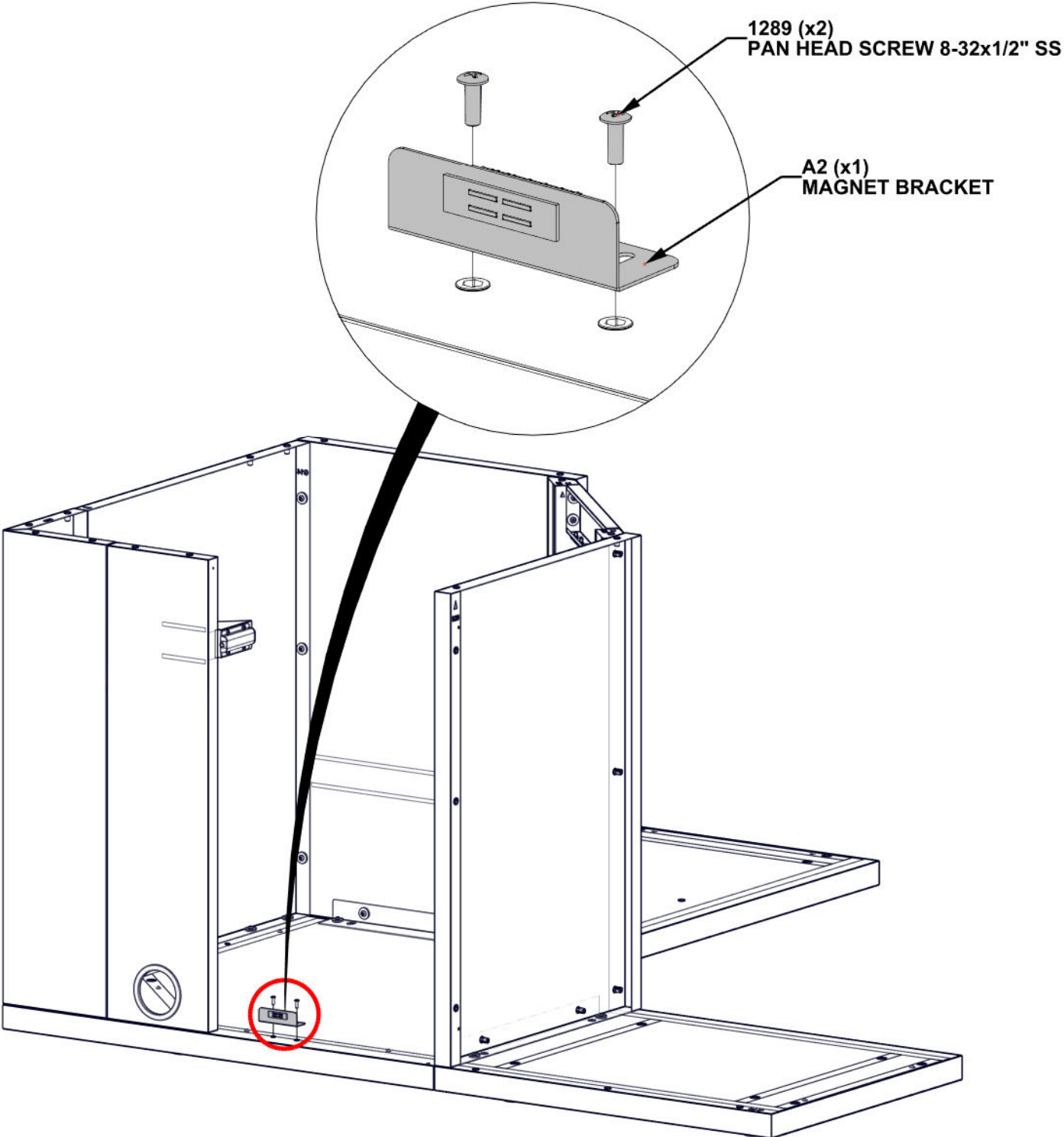


# STEP 15 - SINK CABINET ASSEMBLY

Qty	PartNo	Description
2	H101289	PAN HEAD SCREW 8-32x1/2" SS

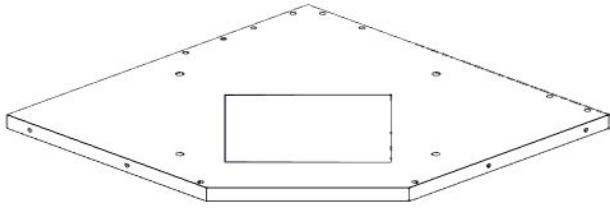


**A2 MAGNET BRACKET - A4M03026**  
(x1) 1"x1 1/4"x3 1/8" (25x31x80)



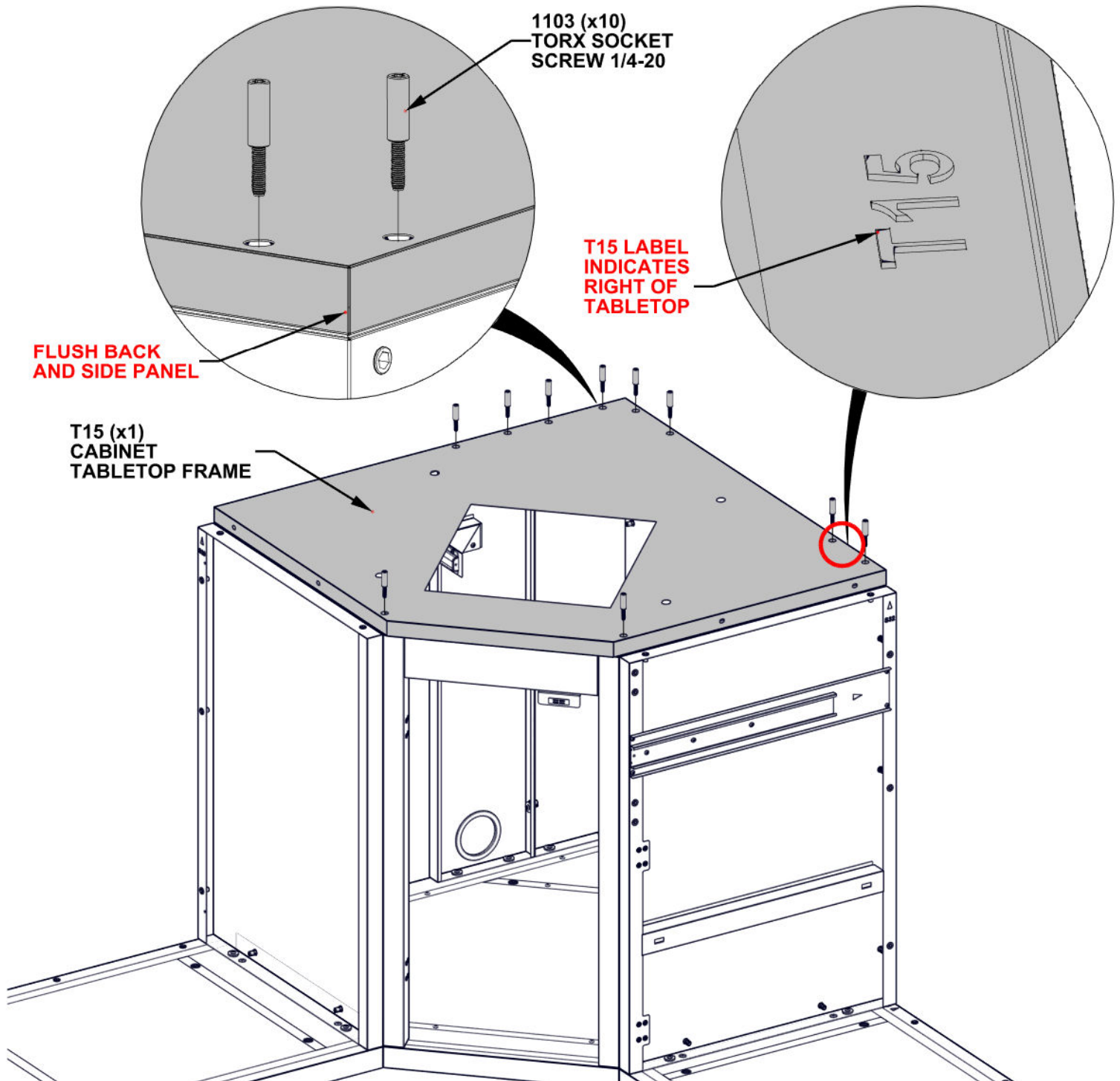
# STEP 16 - SINK CABINET ASSEMBLY

Qty	PartNo	Description
10	H101103	TORX SOCKET SCREW 1/4-20



T15 SINK CABINET TABLETOP FRAME - A4M04713  
(x1) 36"x914.00x1 1/4" (32x914x914)

- FLUSH BACK AND SIDES OF PANEL ASSEMBLY.
- **SQUARE ALL SIDES OF CABINET BEFORE TIGHTENING HARDWARE.**

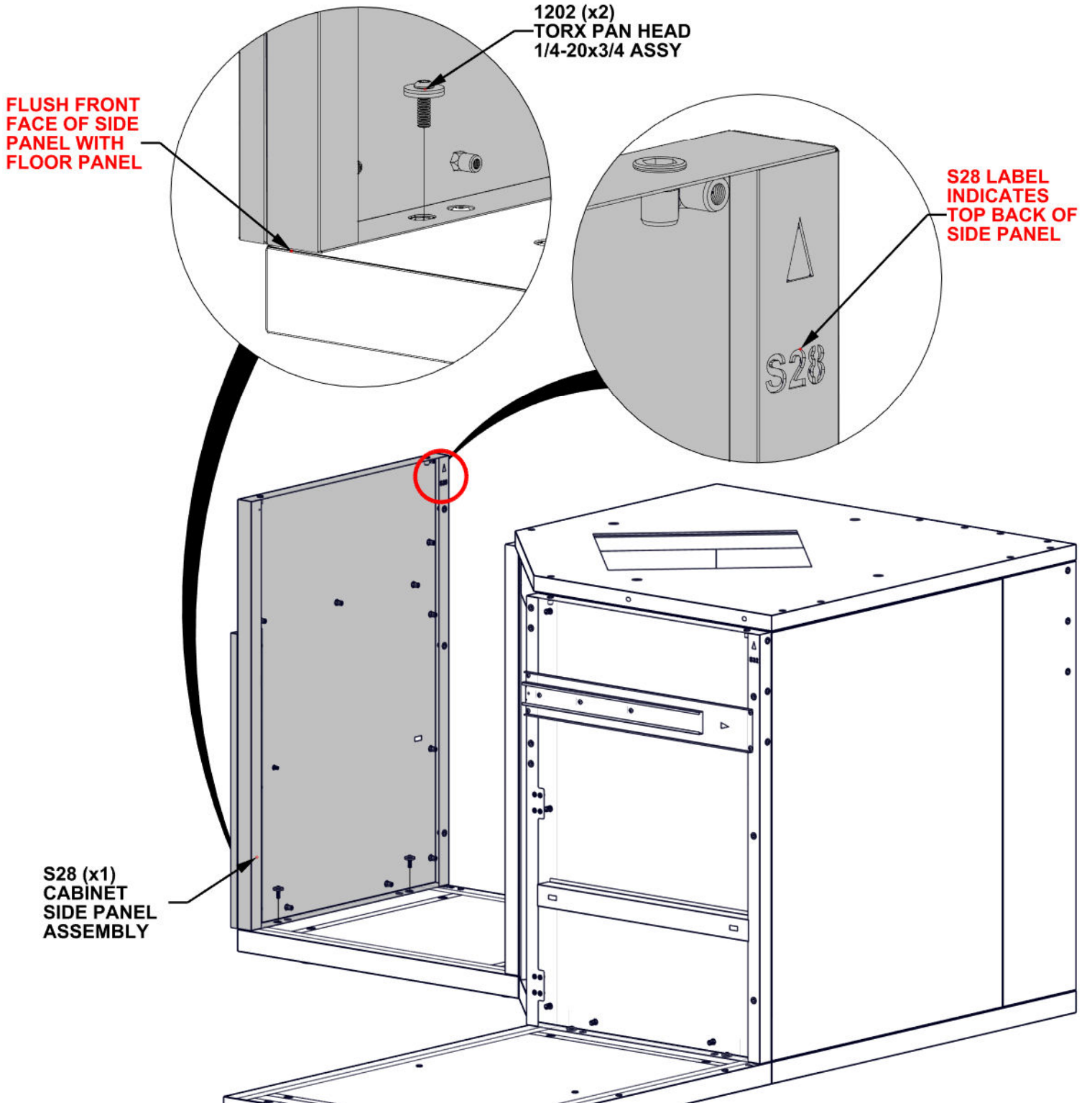


# STEP 17 - FRIDGE CABINET ASSEMBLY

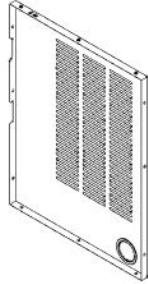
Qty	PartNo	Description
2	H101202	TORX PAN HEAD 1/4-20x3/4 ASSY



**S28 CABINET SIDE PANEL ASSEMBLY - A4M04832**  
 (x1) 33 7/16"x23 3/8"x2 1/16" (53x594x849.7)

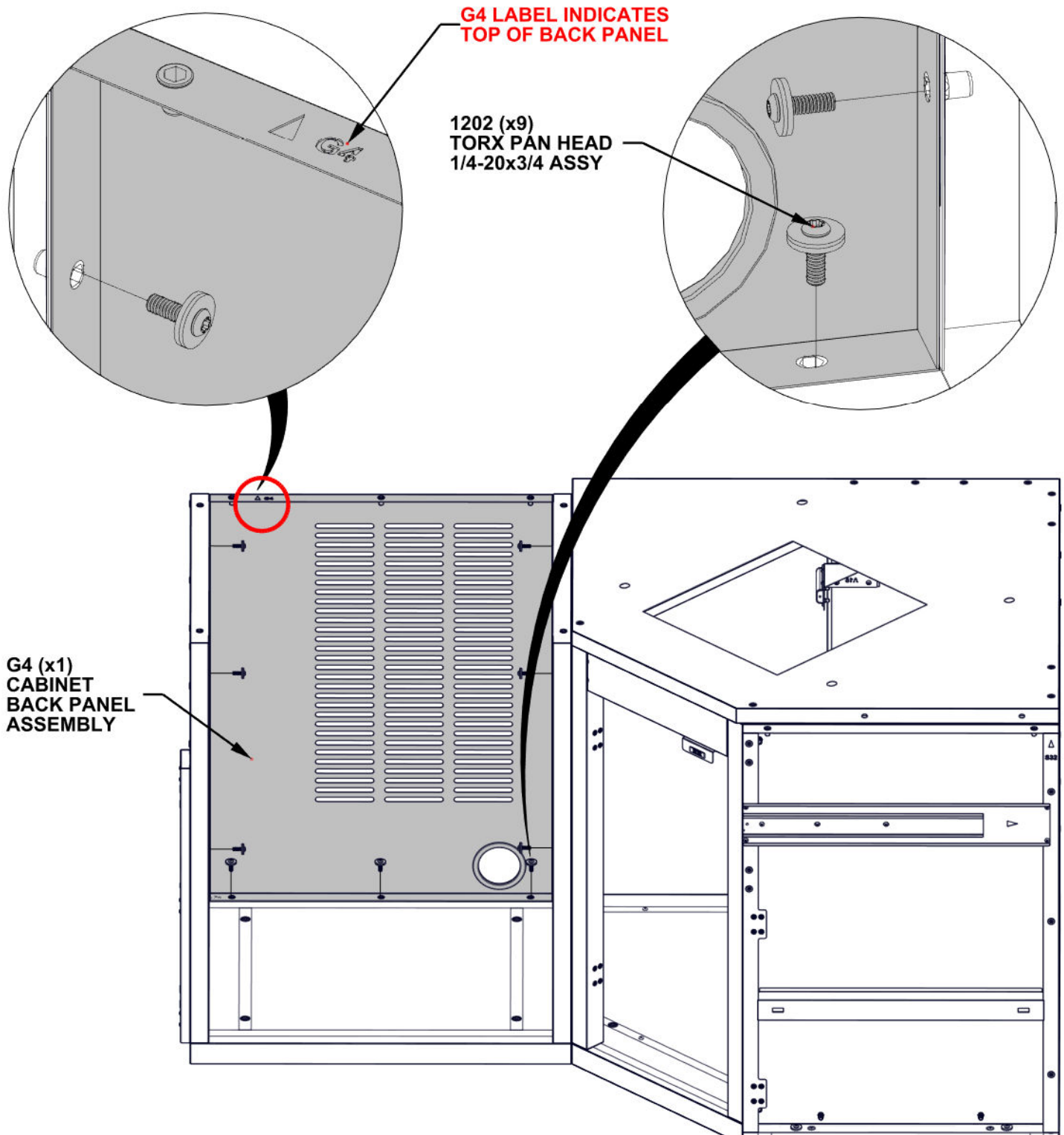


# STEP 18 - FRIDGE CABINET ASSEMBLY



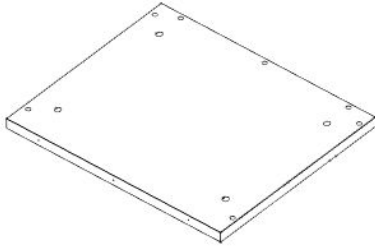
Qty	PartNo	Description
9	H101202	TORX PAN HEAD 1/4-20x3/4 ASSY

**G4 CABINET BACK PANEL ASSEMBLY - A4M03599**  
 (x1) 25 5/16"x33 3/8"x1 3/16" (30x847.2x643)



# STEP 19 - FRIDGE CABINET ASSEMBLY

Qty	PartNo	Description
7	H101103	TORX SOCKET SCREW 1/4-20



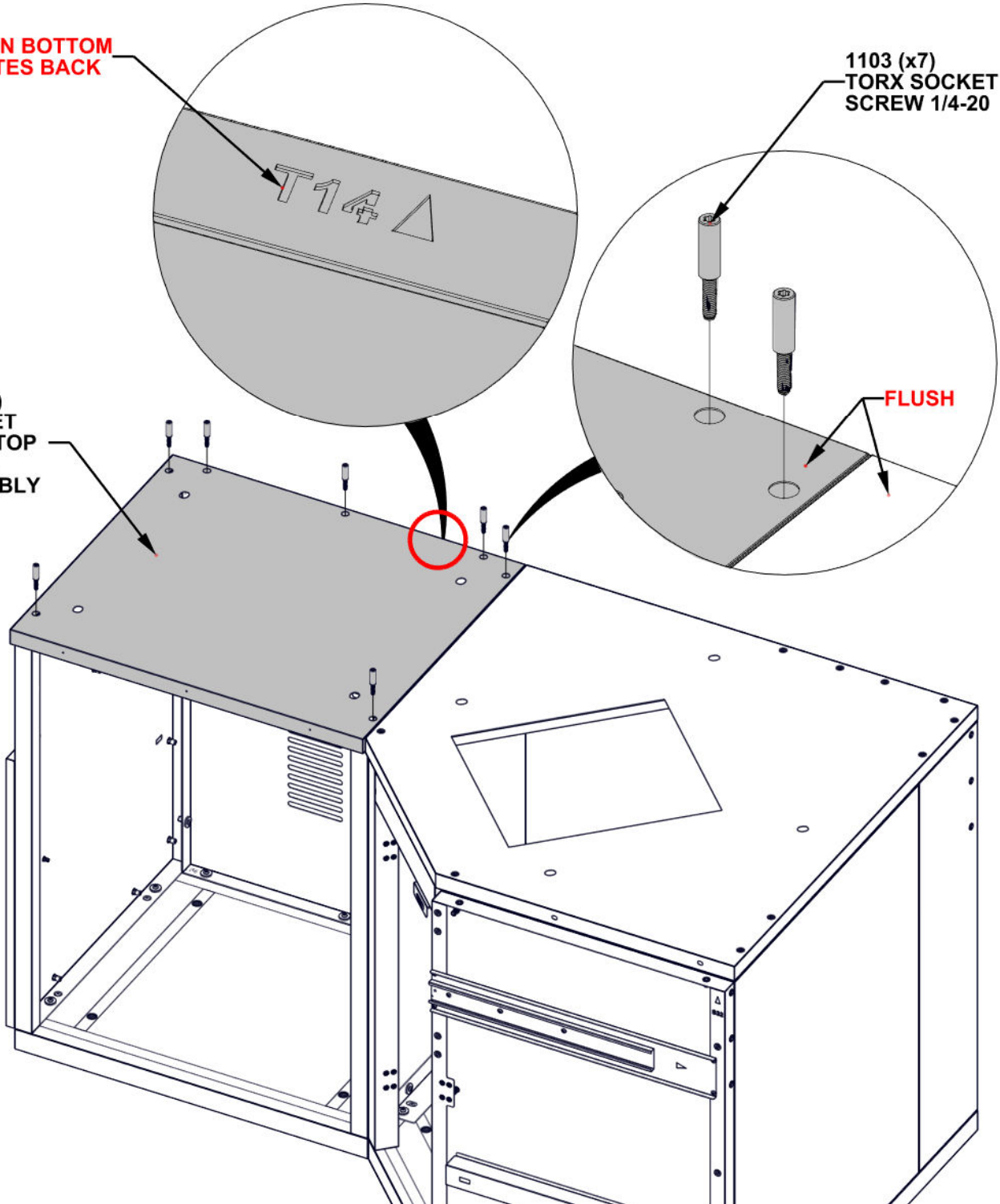
T14 CABINET TABLETOP PANEL ASSEMBLY - A4M04701  
(x1) 28 1/8"x24 1/8"x1 1/4" (32x612x715)

- FLUSH BACK AND SIDES OF PANEL ASSEMBLY.
- SQUARE ALL SIDES OF CABINET BEFORE TIGHTENING HARDWARE.

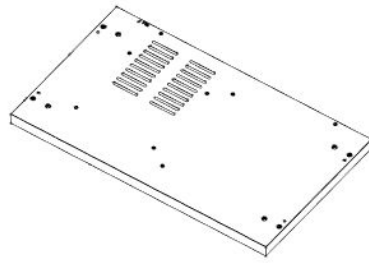
T14 LABEL ON BOTTOM SIDE INDICATES BACK

1103 (x7)  
TORX SOCKET  
SCREW 1/4-20

T14 (x1)  
CABINET  
TABLETOP  
PANEL  
ASSEMBLY

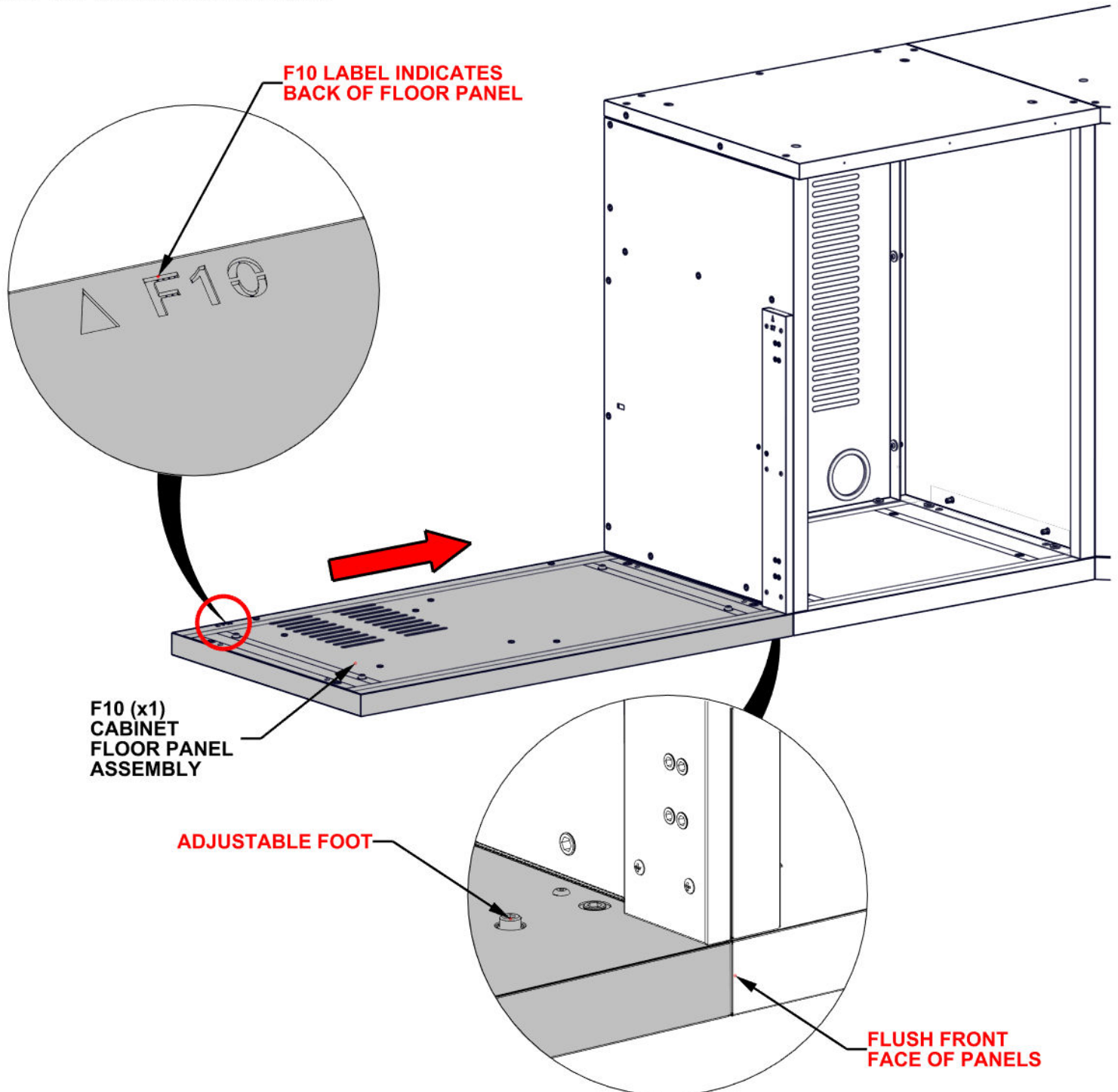


# STEP 20A - CABINET ASSEMBLY



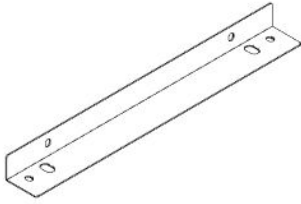
F10 CABINET FLOOR PANEL ASSEMBLY - A4M04834  
(x1) 2 5/8"x23 3/8"x40 3/8" (66x594x1025)

- POSITION FLOOR PANEL AS SHOWN BELOW.
- EACH FLOOR PANEL HAS FACTORY INSTALLED ADJUSTABLE FEET. USE PROVIDED HEX DRIVER TO ADJUST EACH FOOT UNTIL PANEL IS LEVEL.

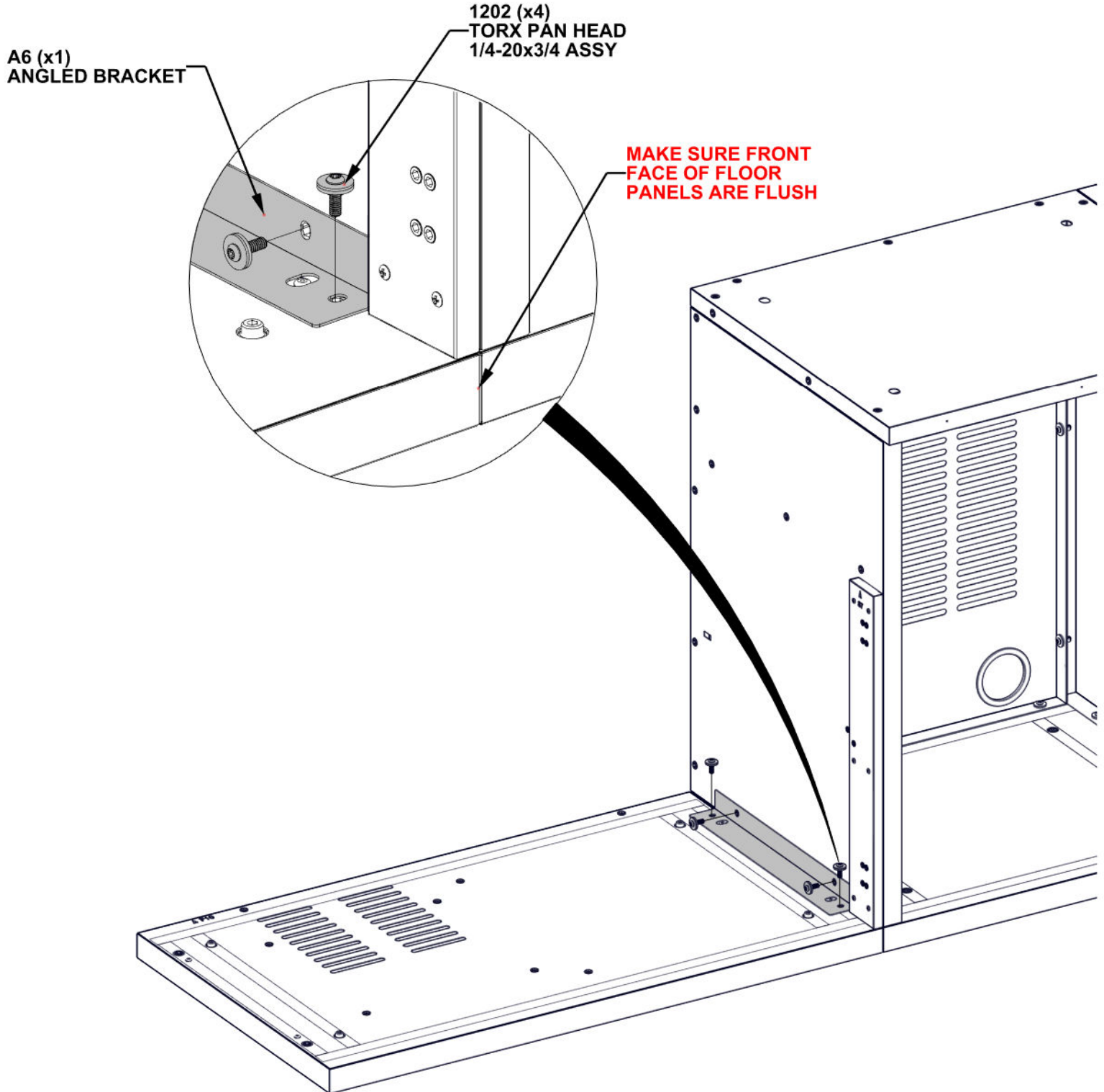


# STEP 20B - CABINET ASSEMBLY

Qty	PartNo	Description
4	H101202	TORX PAN HEAD 1/4-20x3/4 ASSY

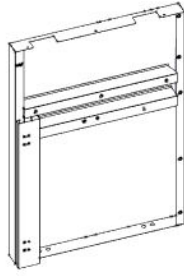


**A6 ANGLED BRACKET - A4M03053**  
(x1) 1 3/8"x1 15/16"x17 1/8" (35x50x435)

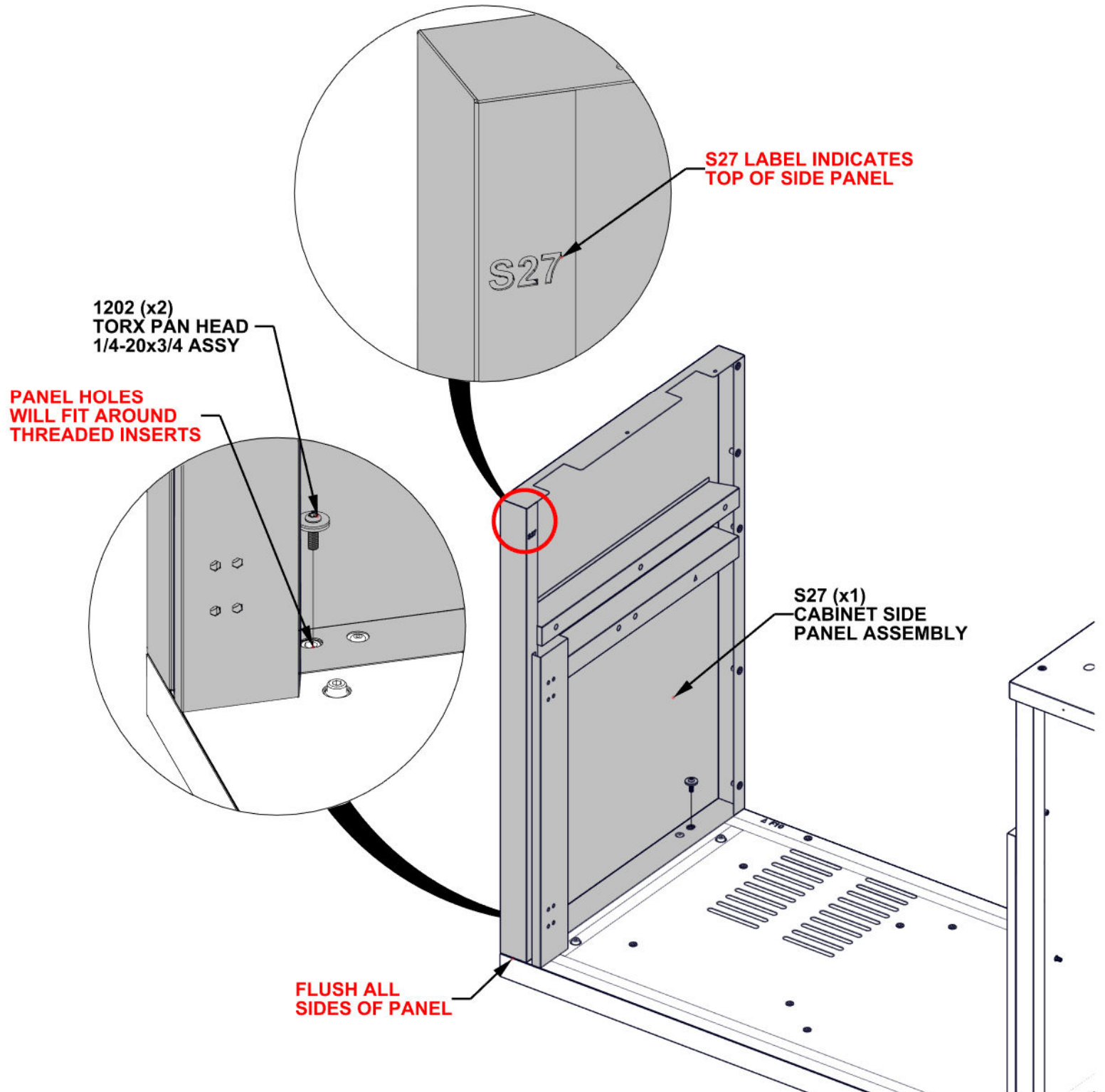


# STEP 21 - CABINET ASSEMBLY

Qty	PartNo	Description
2	H101202	TORX PAN HEAD 1/4-20x3/4 ASSY

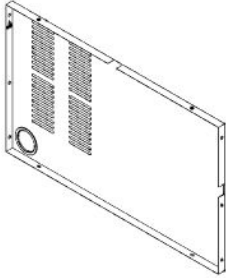


**S27 CABINET SIDE PANEL ASSEMBLY - A4M04835**  
(x1) 33 7/16"x23 3/8"x2 13/16" (71.00x594.00x849.00)

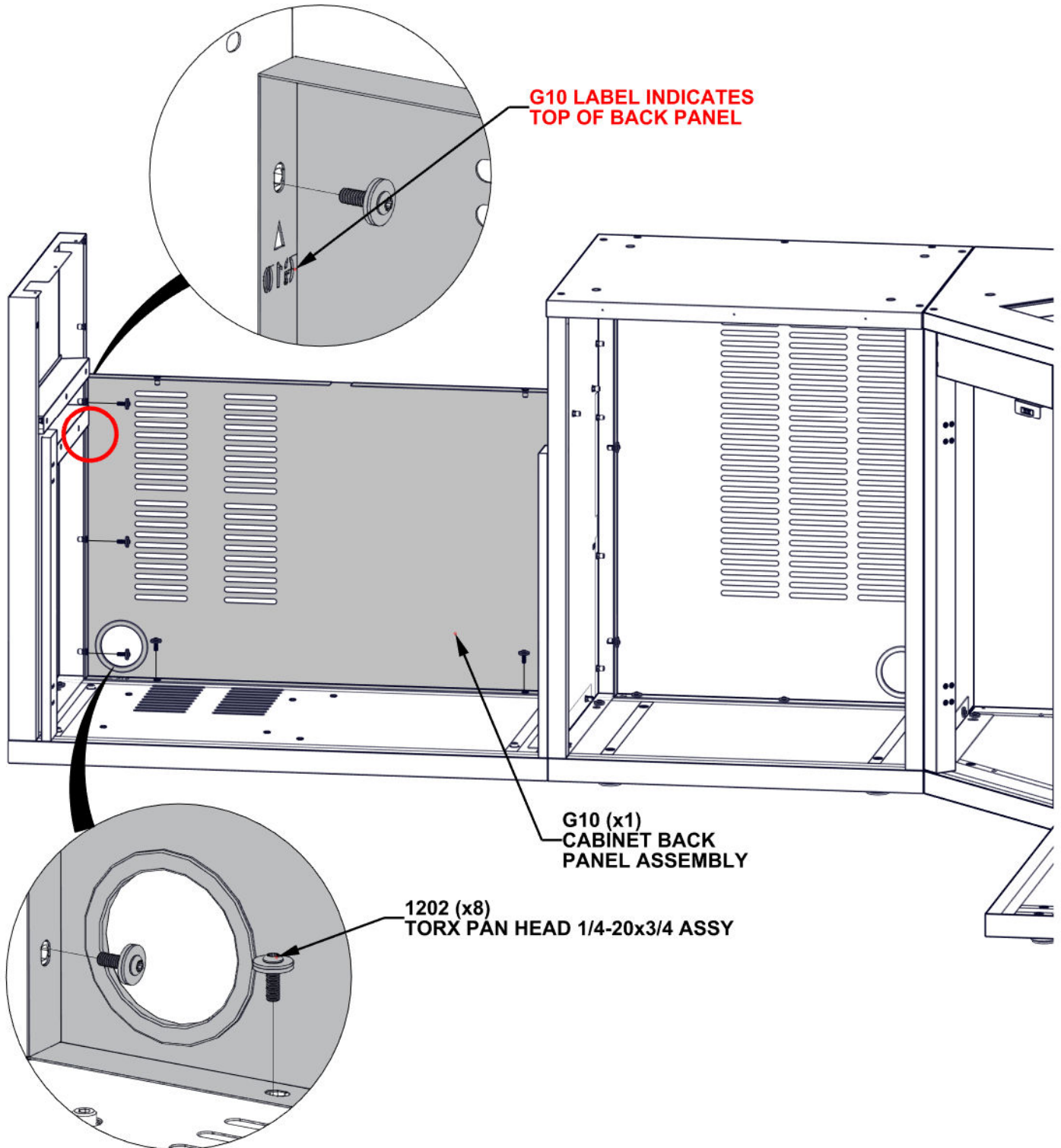


# STEP 22 - CABINET ASSEMBLY

Qty	PartNo	Description
8	H101202	TORX PAN HEAD 1/4-20x3/4 ASSY

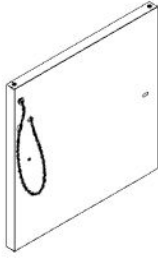


**G10 CABINET BACK PANEL ASSEMBLY - A4M03055**  
(x1) 1 3/16"x22 7/8"x38 3/16" (30x581x970)



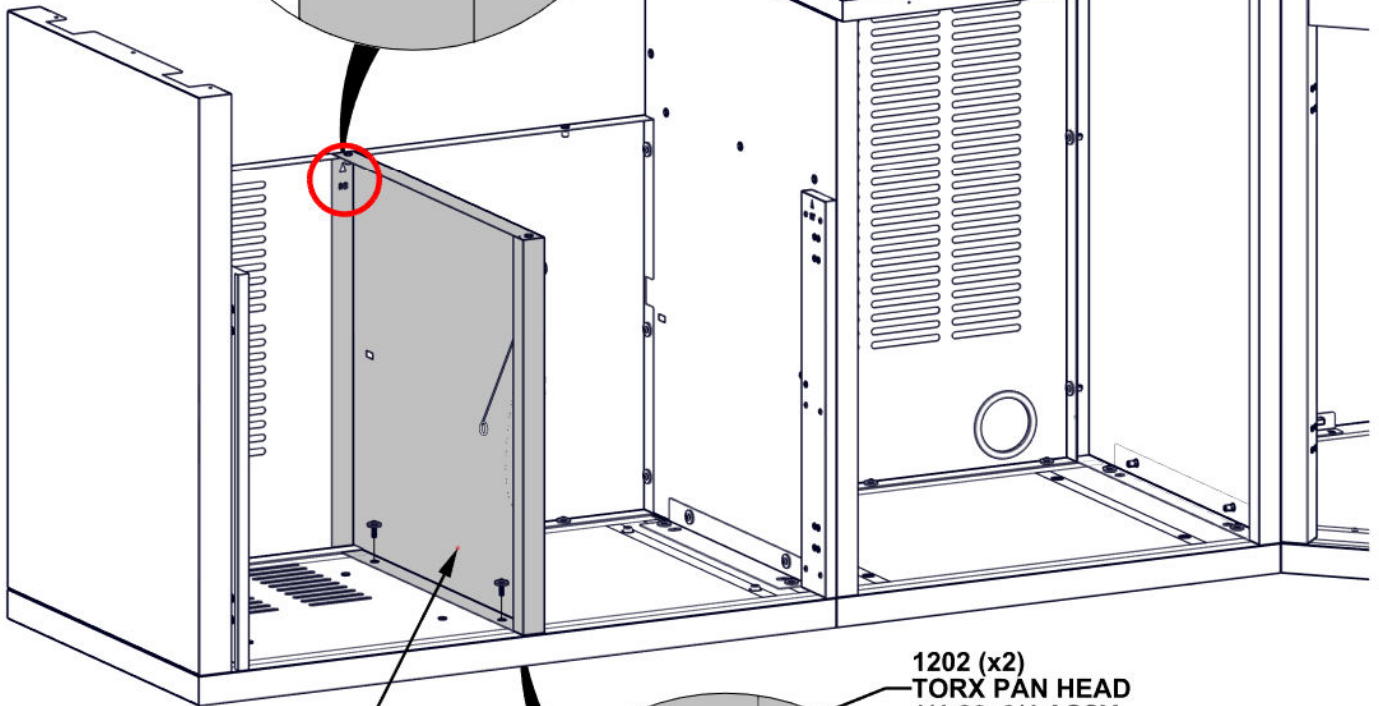
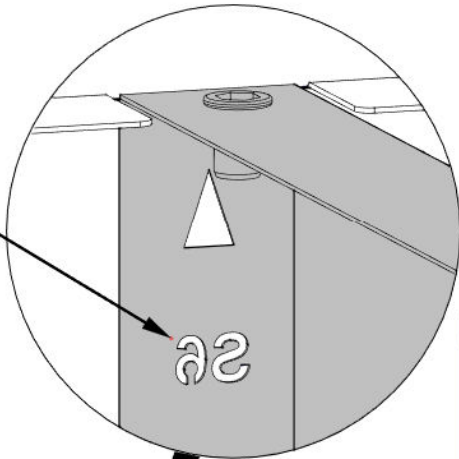
# STEP 23 - CABINET ASSEMBLY

Qty	PartNo	Description
2	H101202	TORX PAN HEAD 1/4-20x3/4 ASSY



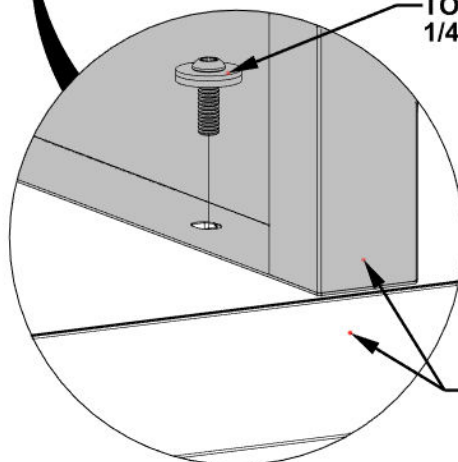
**S6 CABINET SIDE PANEL ASSEMBLY M - A4M03586**  
 (x1) 23 3/8"x22 7/8"x1 3/8" (35x581x593)

**S6 LABEL INDICATES  
TOP OF SIDE PANEL**



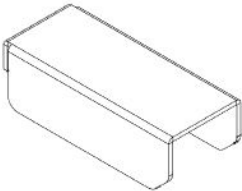
**S6 (x1)  
CABINET SIDE PANEL  
ASSEMBLY M**

**1202 (x2)  
TORX PAN HEAD  
1/4-20x3/4 ASSY**



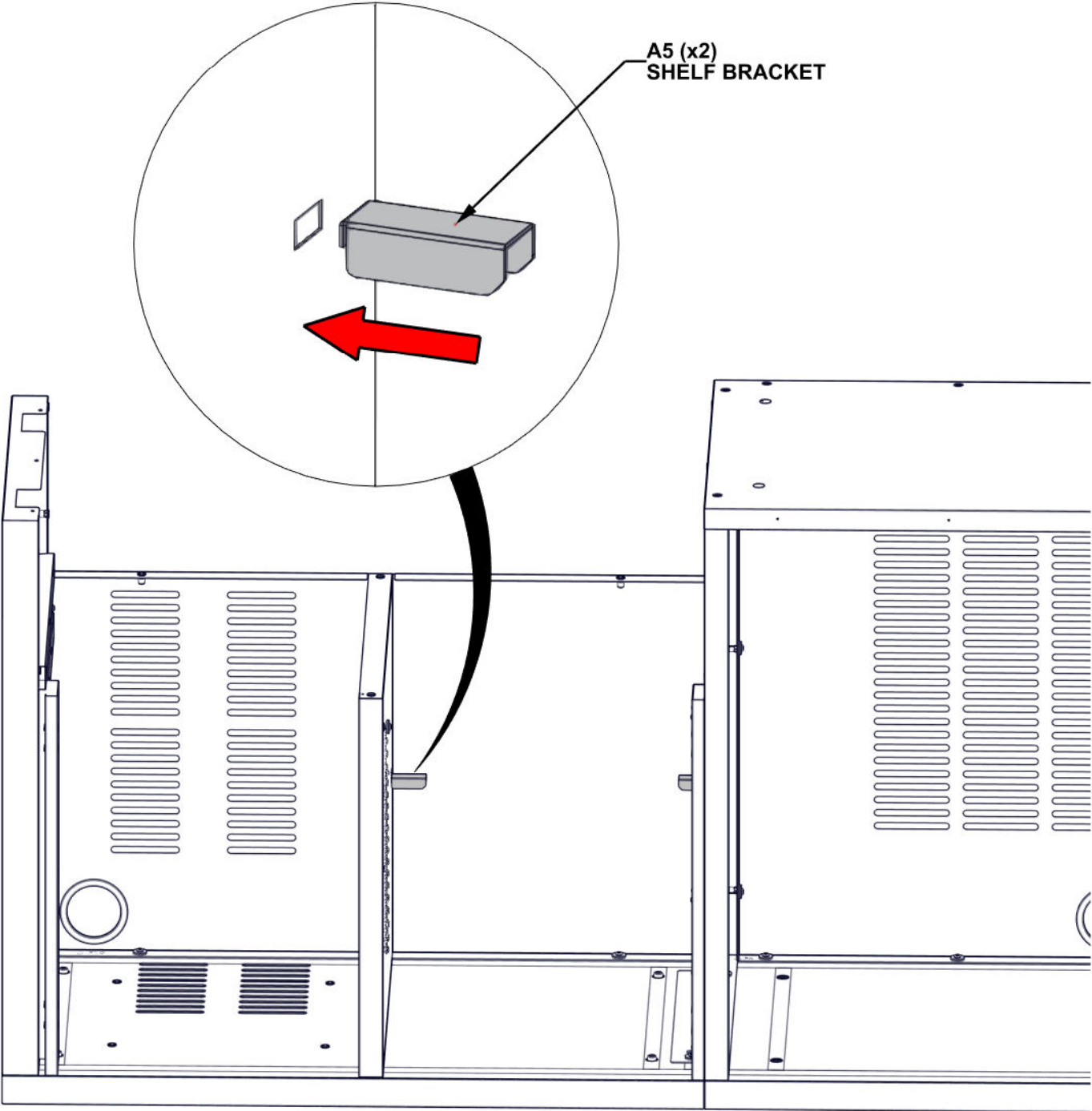
**FLUSH FRONT FACE  
OF SIDE PANEL WITH  
FLOOR PANEL**

# STEP 24A - CABINET ASSEMBLY



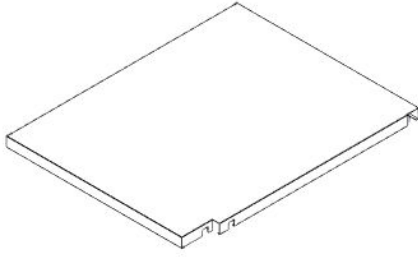
A5 SHELF BRACKET - A4M03141  
(x2) 5/8"x7/8"x2 1/16" (16x22x53)

- ATTACH SHELF BRACKETS ON BOTH SIDES OF CENTER CABINET.

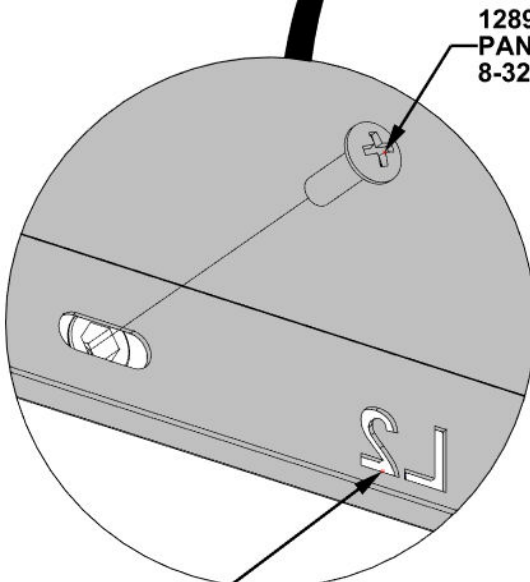
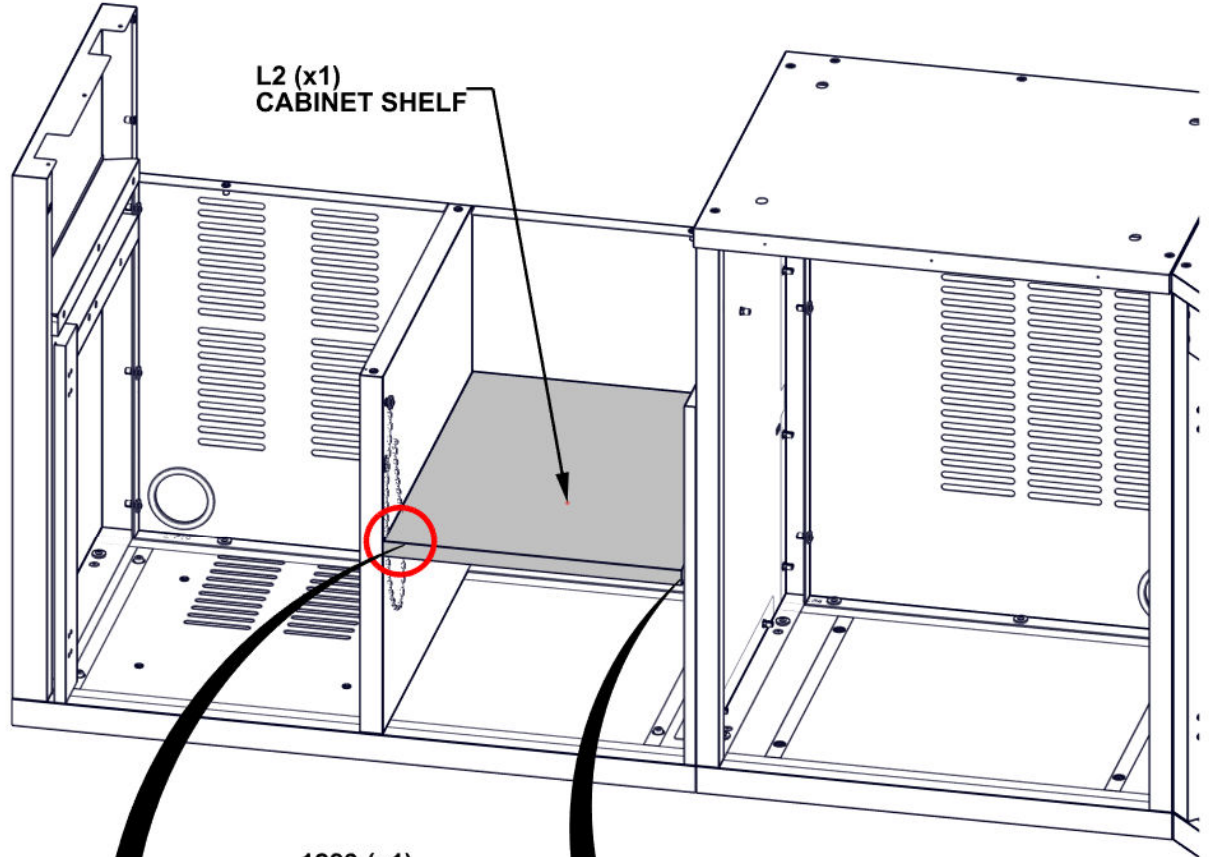


# STEP 24B - CABINET ASSEMBLY

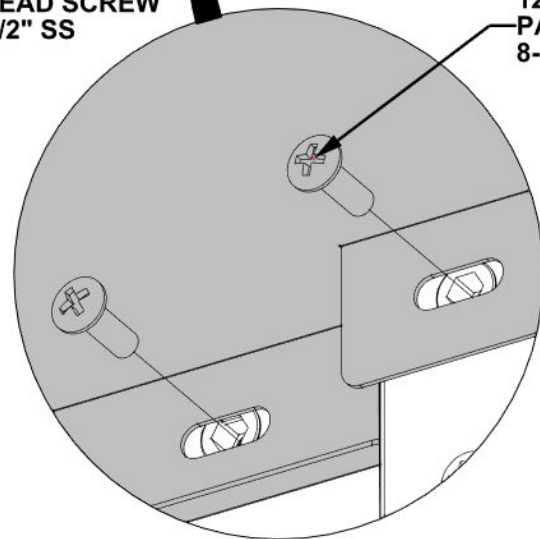
Qty	PartNo	Description
3	H101289	PAN HEAD SCREW 8-32x1/2" SS



L2 CABINET SHELF - A4M03589  
(x1) 23 1/4"x18 3/8"x1" (25.00x467.00x591.00)



1289 (x1)  
PAN HEAD SCREW  
8-32x1/2" SS

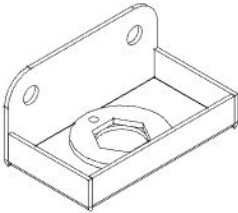


1289 (x2)  
PAN HEAD SCREW  
8-32x1/2" SS

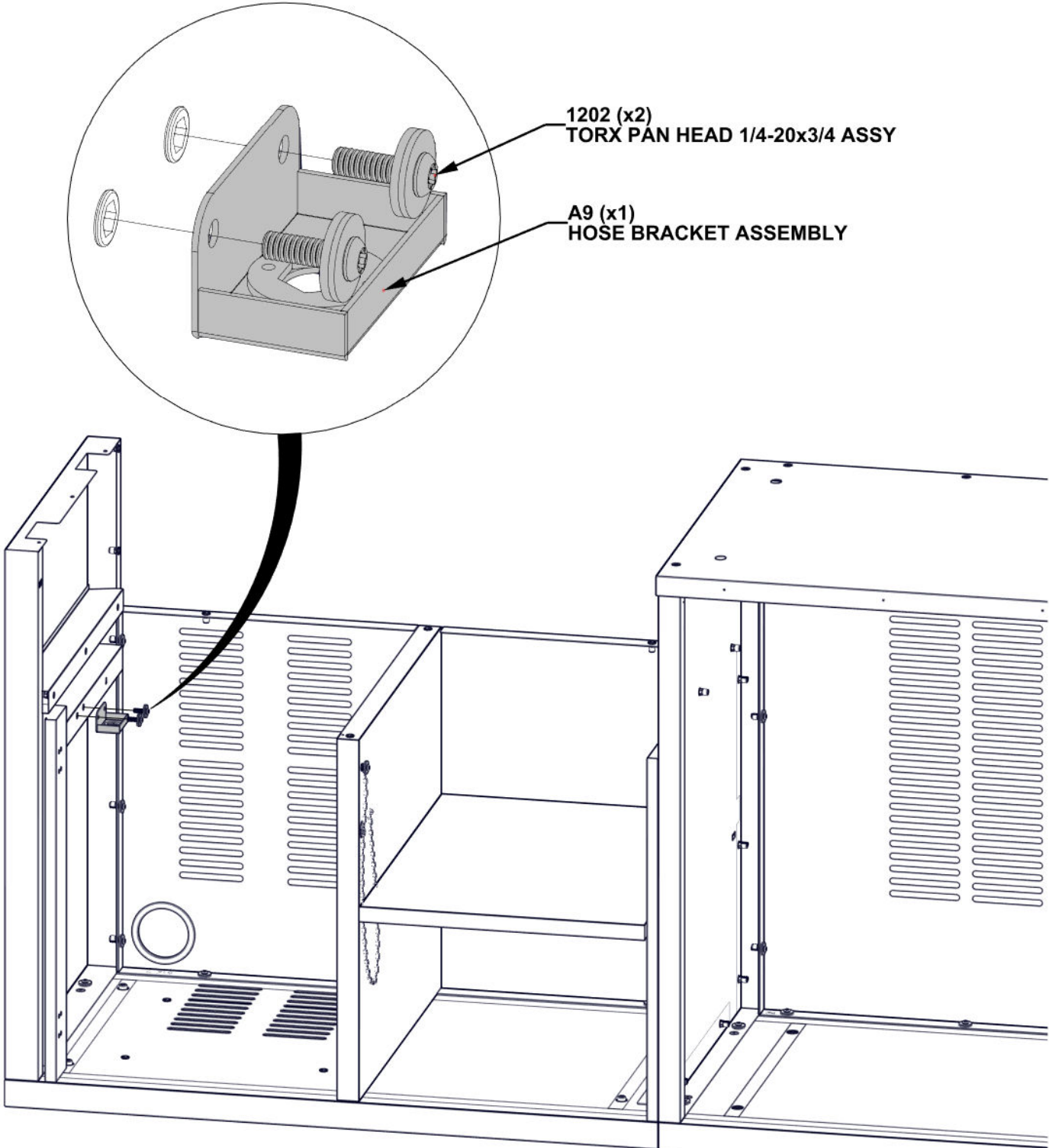
L2 LABEL INDICATES  
FRONT OF SHELF

# STEP 25 - CABINET ASSEMBLY

Qty	PartNo	Description
2	H101202	TORX PAN HEAD 1/4-20x3/4 ASSY



**A9 HOSE BRACKET ASSEMBLY - A4M03060**  
(x1) 1 1/4"x1 7/16"x2 9/16" (31.5x36.5x65)

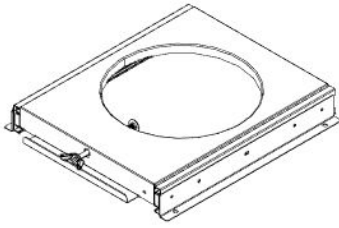


**1202 (x2)**  
**TORX PAN HEAD 1/4-20x3/4 ASSY**

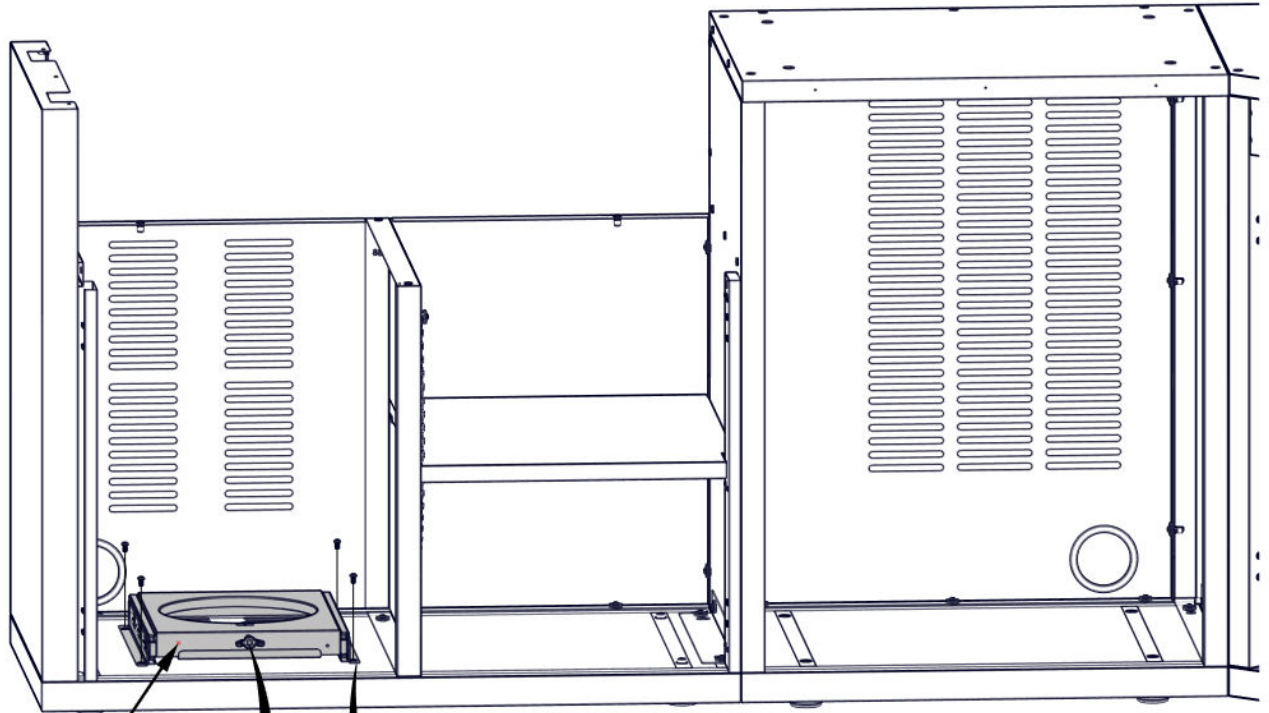
**A9 (x1)**  
**HOSE BRACKET ASSEMBLY**

# STEP 26 - CABINET ASSEMBLY

Qty	PartNo	Description
4	H101292	TORX PAN HEAD 1/4-20x13/32"

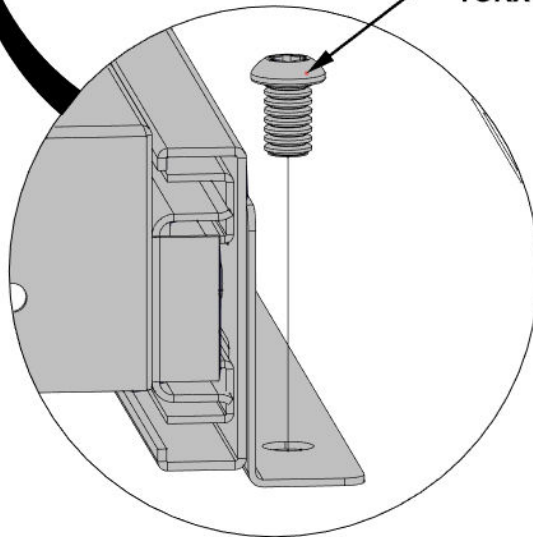
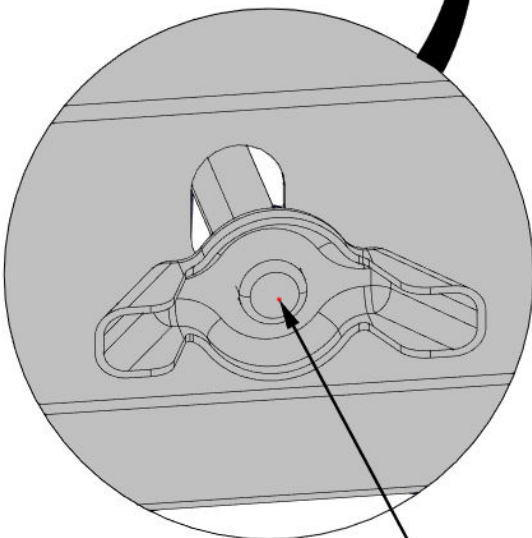


**A13 GAS TANK HOLDER ASSEMBLY - A4M03047**  
(x1) 1 15/16"x12 7/8"x14 3/4" (49x327x374)



**A13 (x1)**  
**GAS TANK HOLDER**  
**ASSEMBLY**

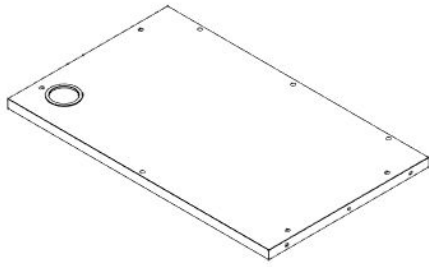
**1292 (x4)**  
**TORX PAN HEAD 1/4-20x13/32"**



**NOTE ORIENTATION OF**  
**WING NUT TOWARDS FRONT**

# STEP 27A - CABINET ASSEMBLY

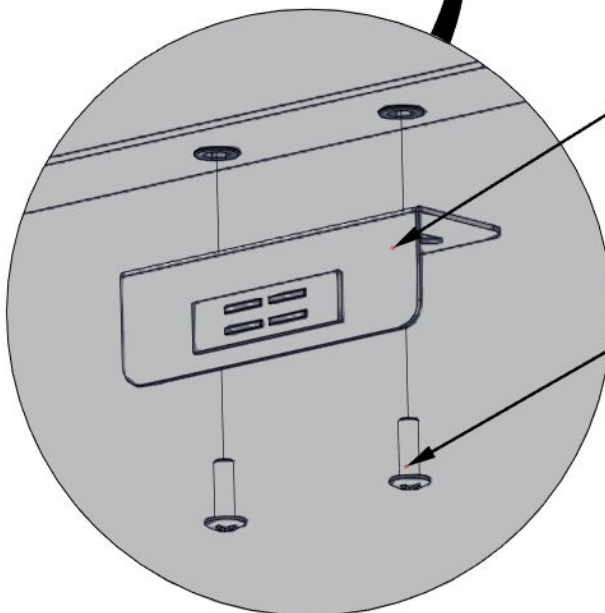
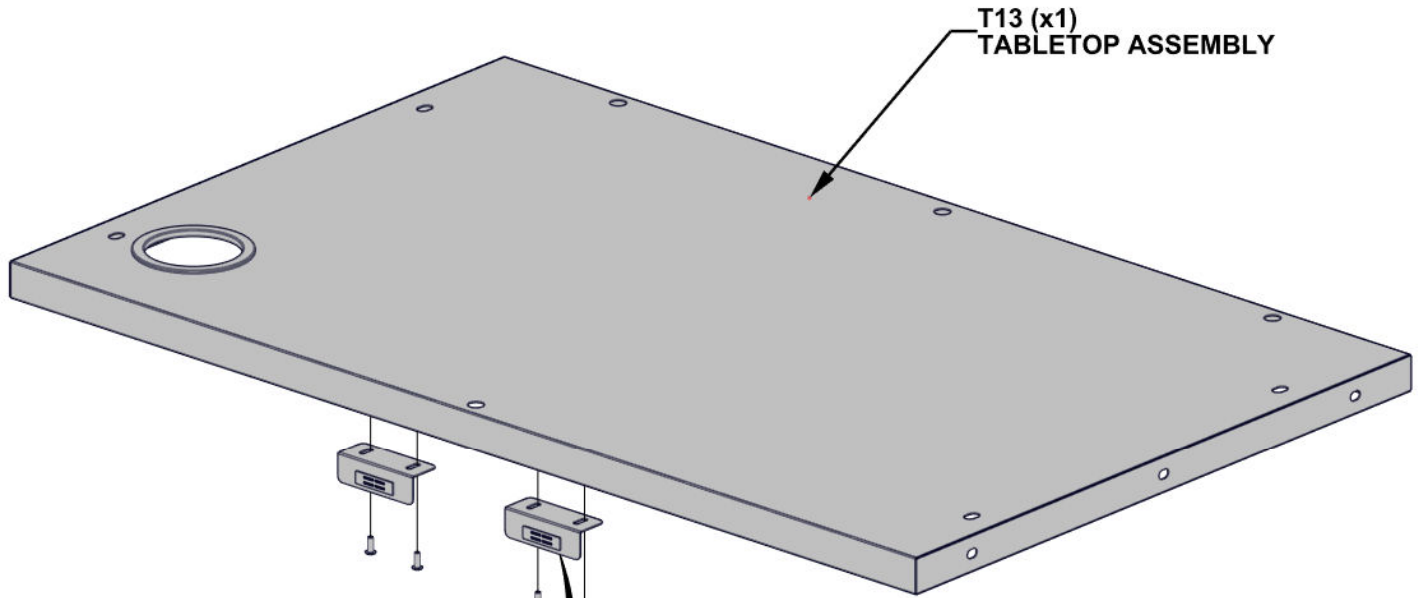
Qty	PartNo	Description
4	H101289	PAN HEAD SCREW 8-32x1/2" SS



**T13 TABLETOP ASSEMBLY - A4M04668**  
 (x1) 1 1/4"x23 3/8"x38 3/16" (32x594x970)



**A2 MAGNET BRACKET - A4M03026**  
 (x2) 1"x1 1/4"x3 1/8" (25x31x80)

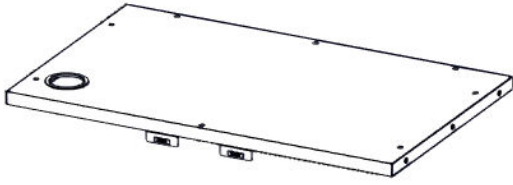


**A2 (x2) MAGNET BRACKET**

**1289 (x4) PAN HEAD SCREW 8-32x1/2" SS**

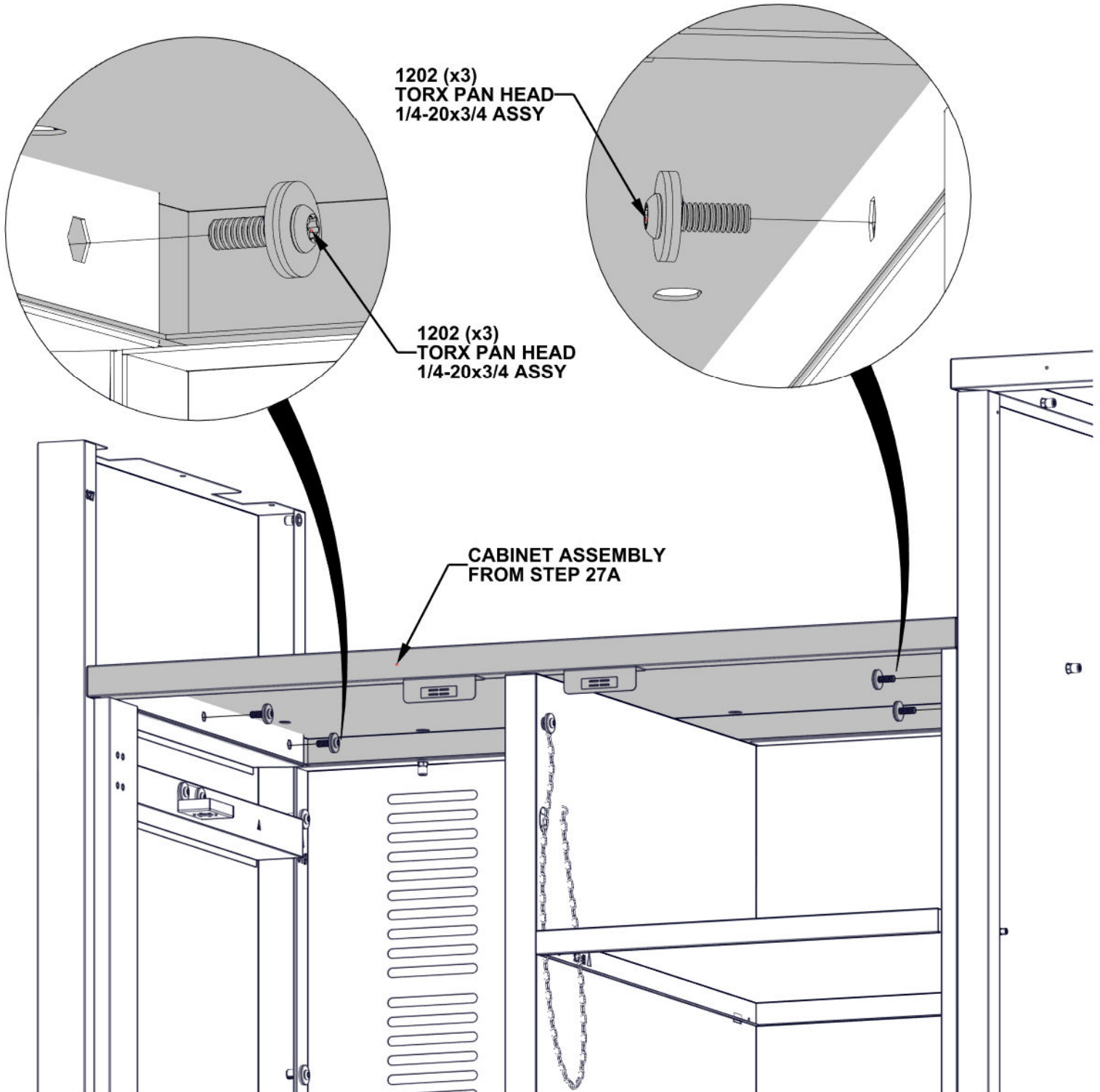
# STEP 27B - CABINET ASSEMBLY

Qty	PartNo	Description
6	H101202	TORX PAN HEAD 1/4-20x3/4 ASSY



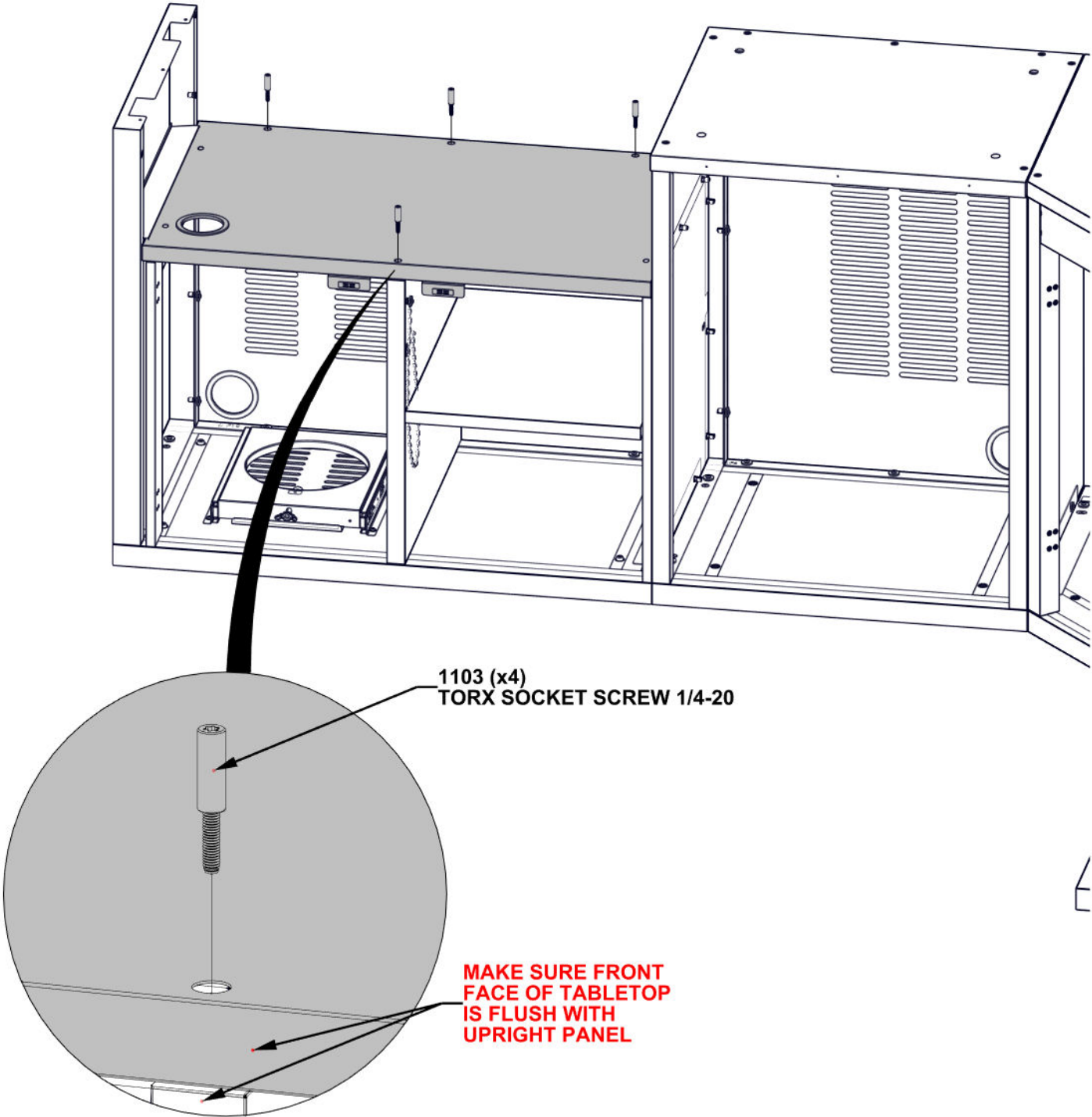
CABINET ASSEMBLY FROM STEP 27A

## - HARDWARE ATTACHES ON INSIDE OF CABINET

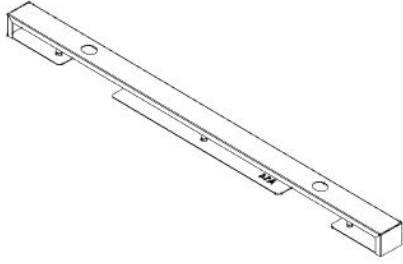


# STEP 27C - CABINET ASSEMBLY

Qty	PartNo	Description
4	H101103	TORX SOCKET SCREW 1/4-20



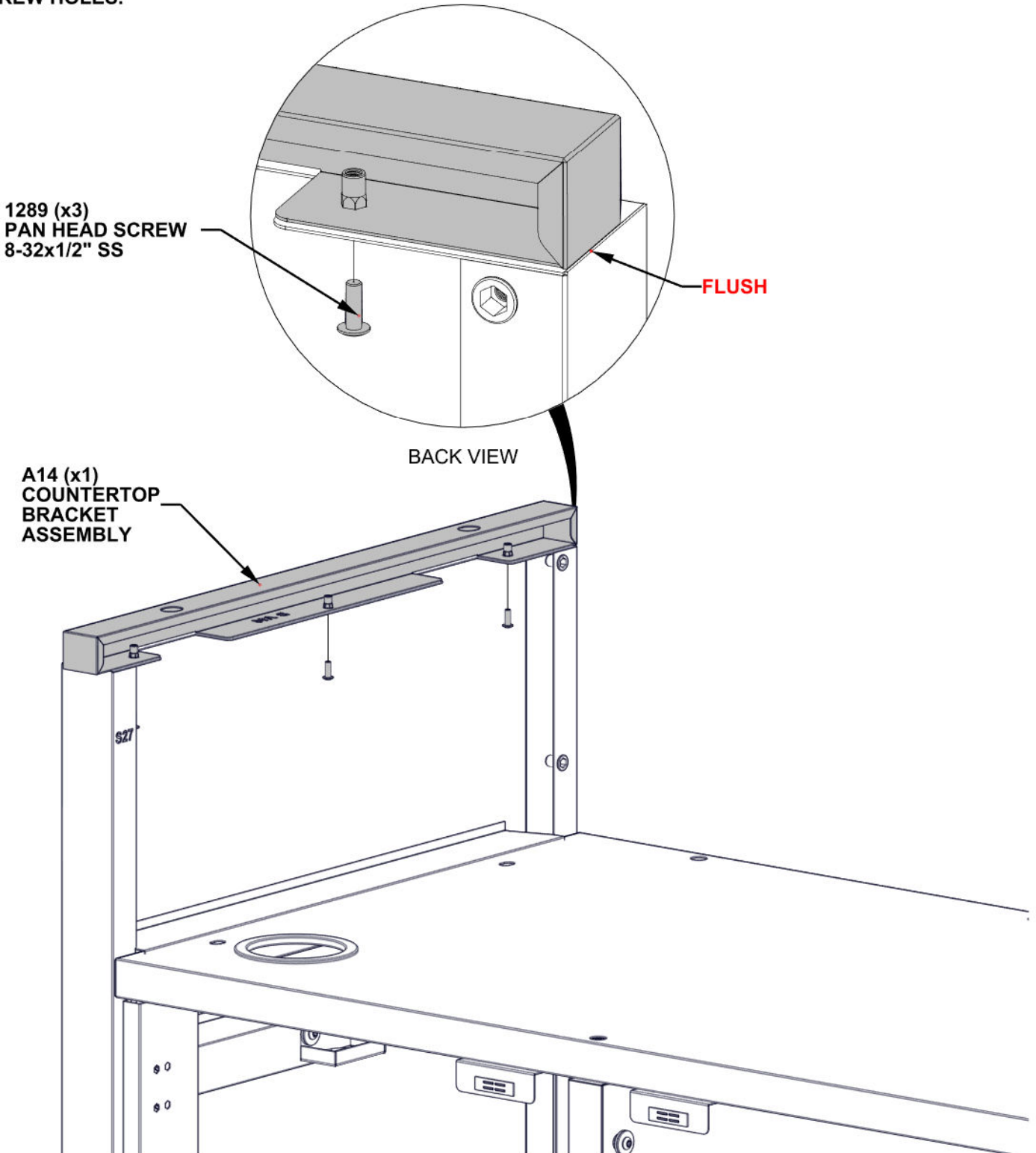
# STEP 28 - CABINET ASSEMBLY



Qty	PartNo	Description
3	H101289	PAN HEAD SCREW 8-32x1/2" SS

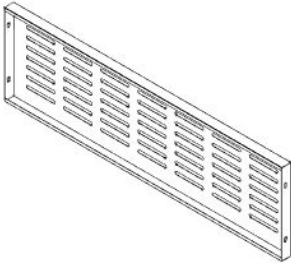
A14 COUNTERTOP BRACKET ASSEMBLY - A4M04846  
(x1) 24 3/16"x1 3/8"x1 1/4" (31.00x35.00x614.00)

- ALIGN SCREW HOLES.



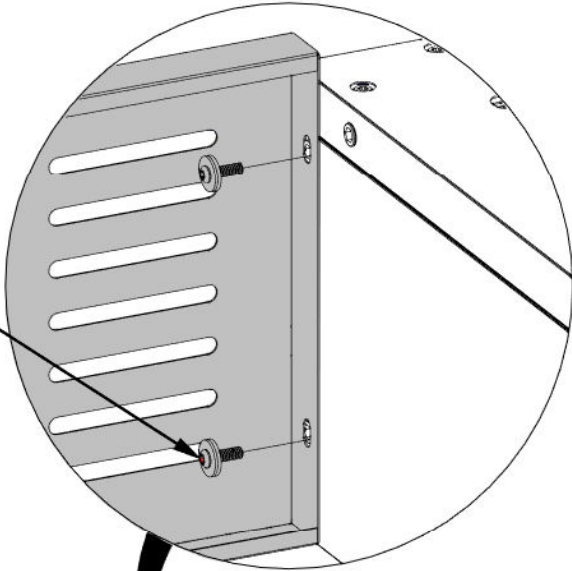
# STEP 29 - CABINET ASSEMBLY

Qty	PartNo	Description
4	H101202	TORX PAN HEAD 1/4-20x3/4 ASSY

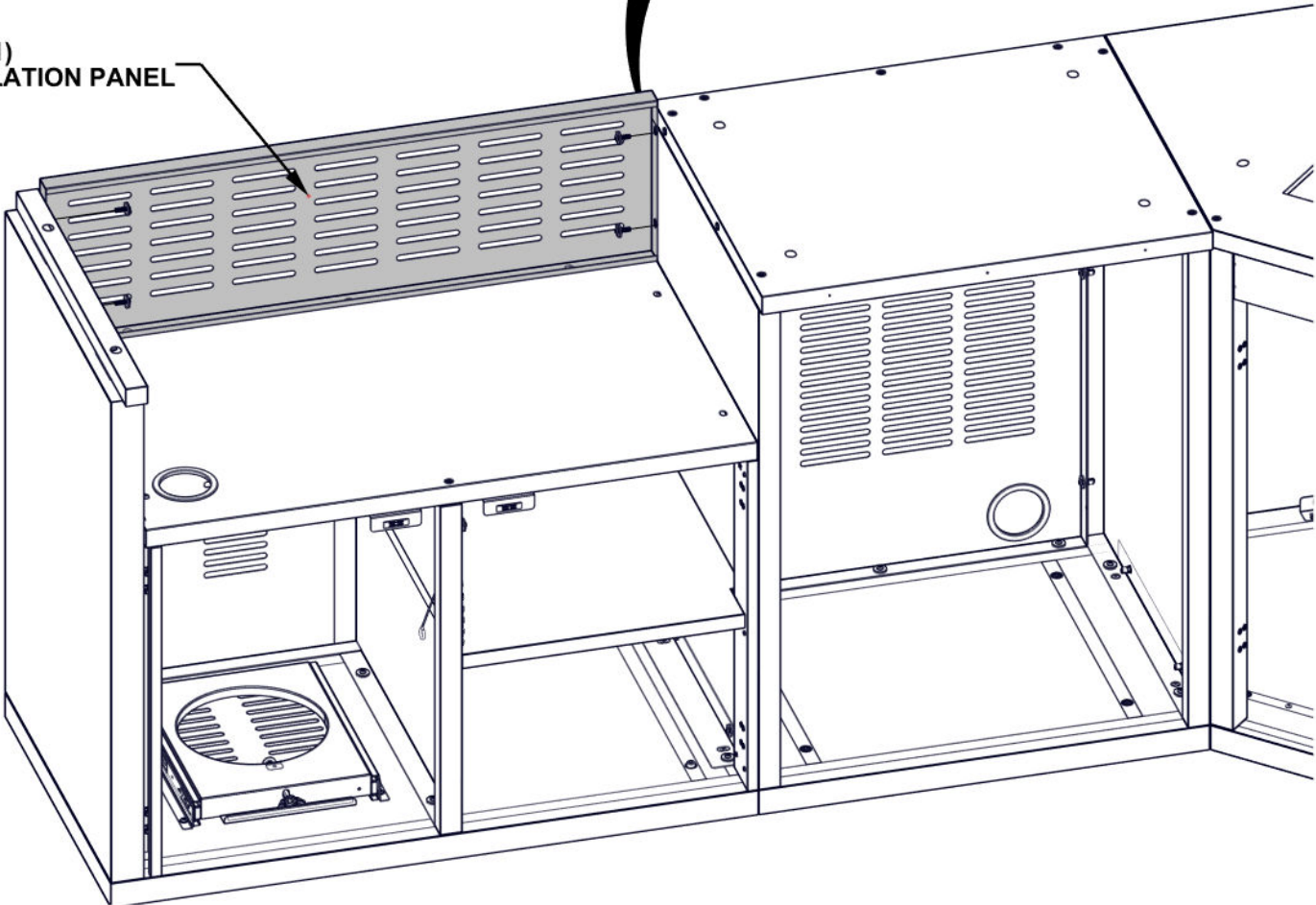


G11 VENTILATION PANEL - A4M03056  
(x1) 1 5/16"x11 3/16"x38 3/16" (33x284x970)

1202 (x4)  
TORX PAN HEAD 1/4-20x3/4 ASSY



G11 (x1)  
VENTILATION PANEL

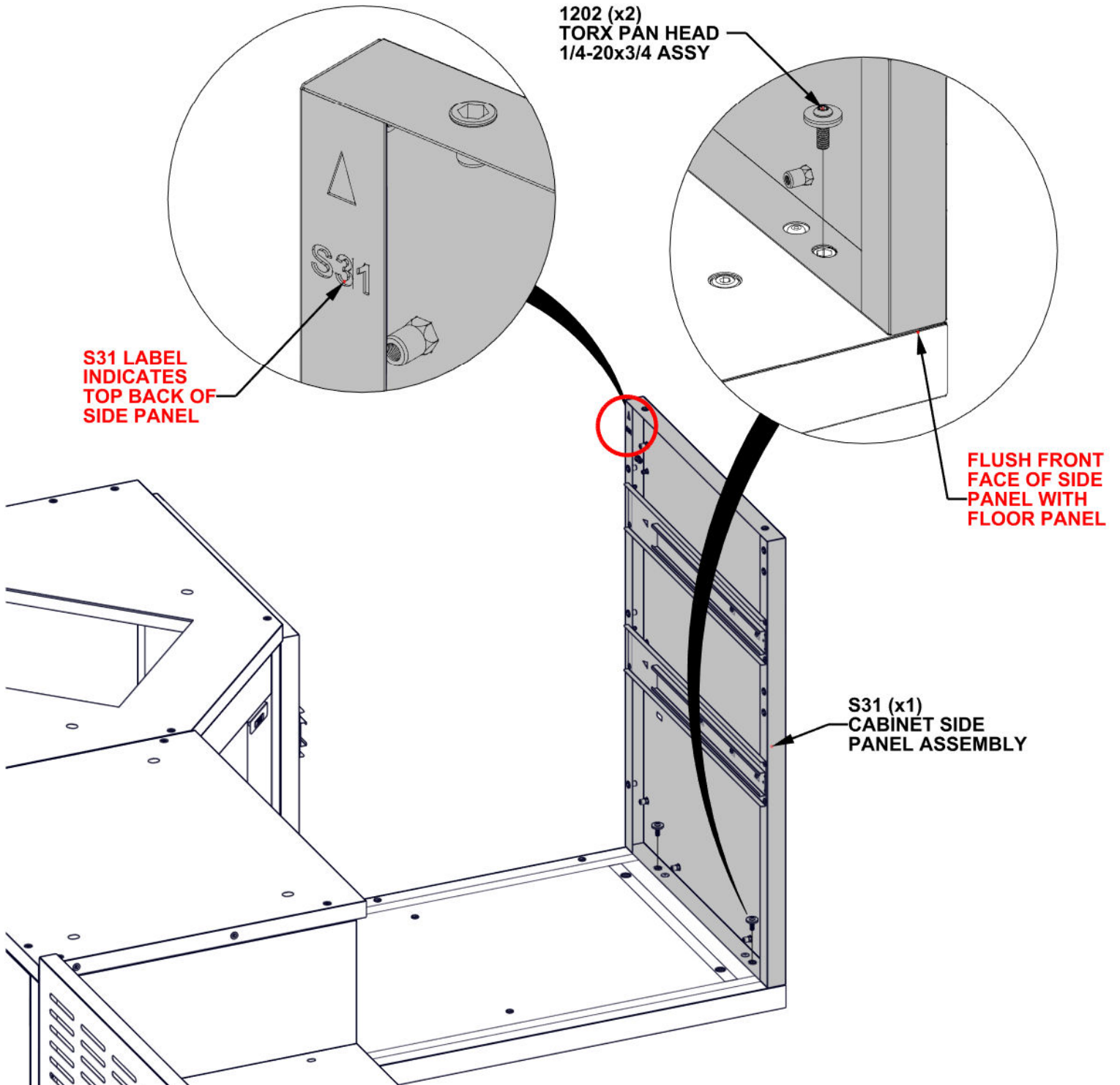


# STEP 30 - LEFT STORAGE CABINET ASSEMBLY



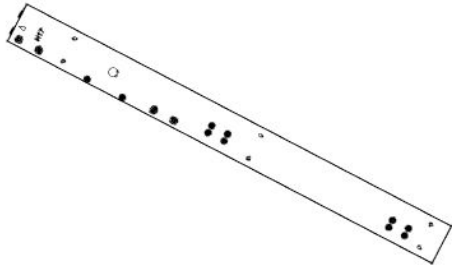
Qty	PartNo	Description
2	H101202	TORX PAN HEAD 1/4-20x3/4 ASSY

S31 CABINET SIDE PANEL ASSEMBLY - A4M04838  
(x1) 33 3/8"x23 3/8"x1 15/16" (49.00x594x848.20)

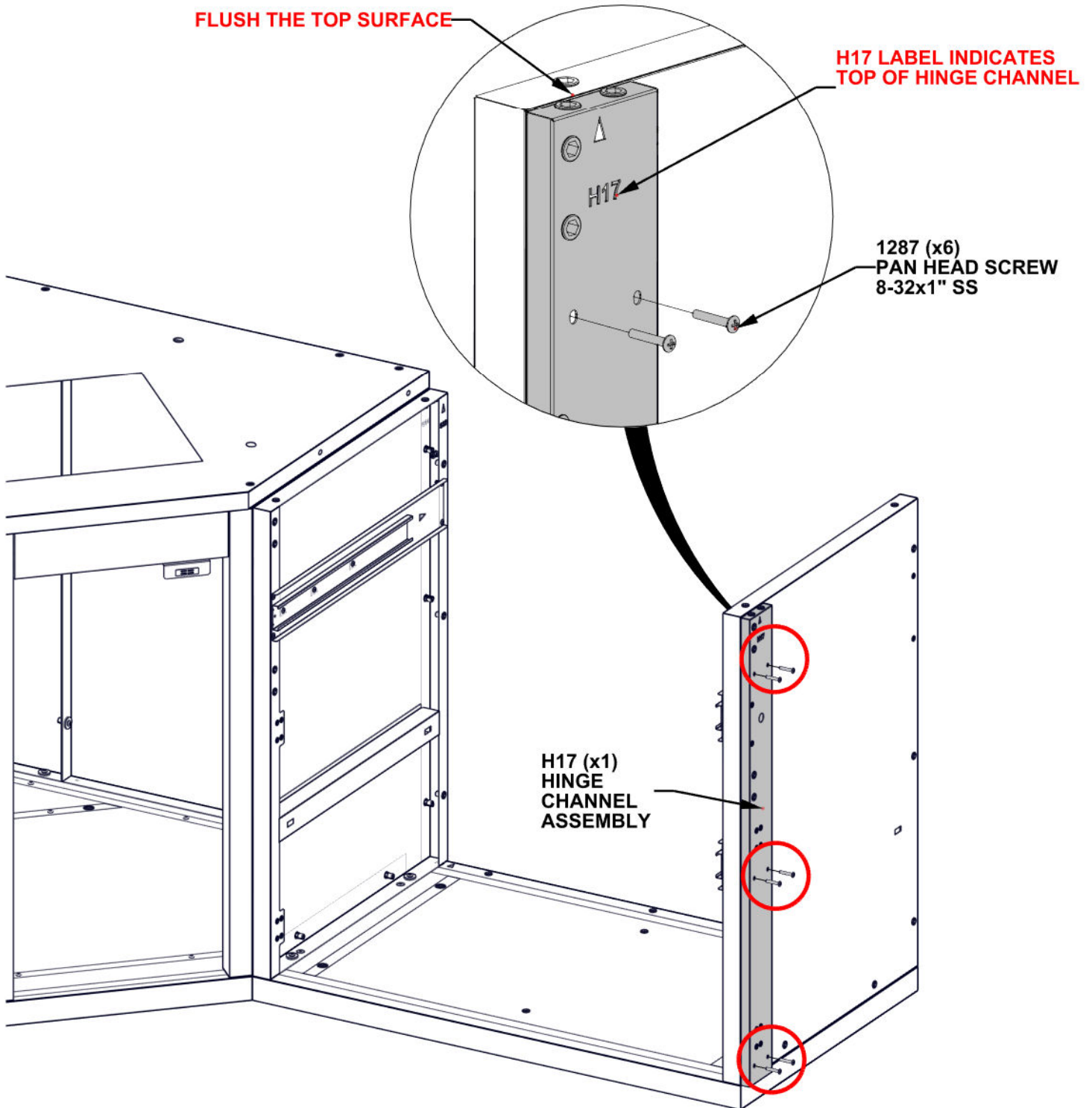


# STEP 31 - LEFT STORAGE CABINET ASSEMBLY

Qty	PartNo	Description
6	H101287	PAN HEAD SCREW 8-32x1" SS

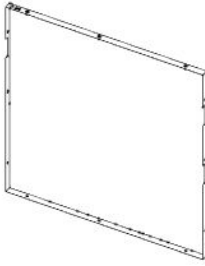


H17 HINGE CHANNEL ASSEMBLY - A4M04841  
(x1) 33 3/8"x2 15/16"x11/16" (18.00x74.80x847.00)



# STEP 32 - LEFT STORAGE CABINET ASSEMBLY

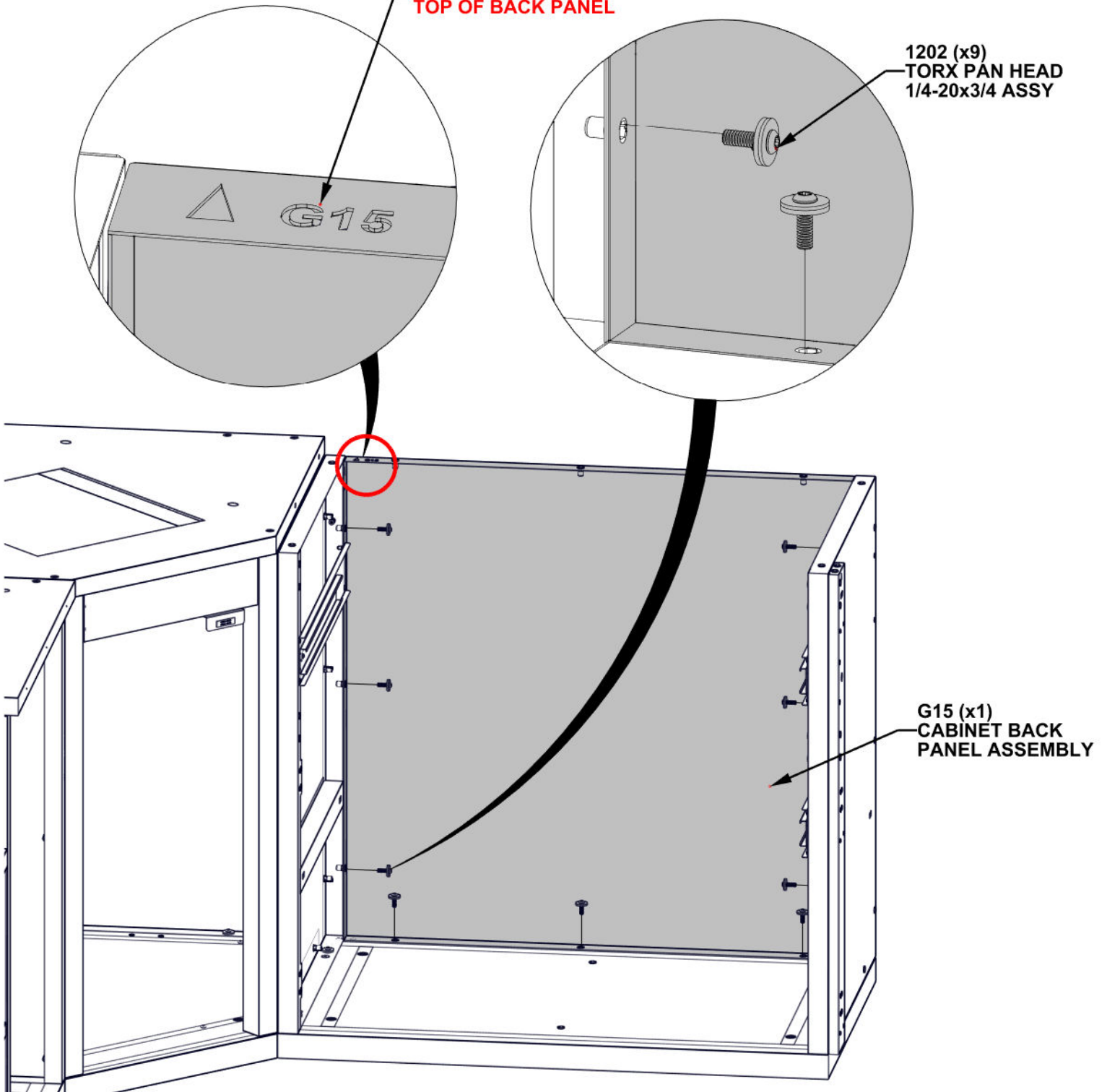
Qty	PartNo	Description
9	H101202	TORX PAN HEAD 1/4-20x3/4 ASSY



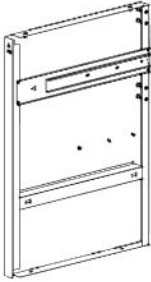
**G15 CABINET BACK PANEL ASSEMBLY - A4M04707**  
(x1) 34 5/16"x33 3/8"x1 3/16" (30x847.2x1049)

**G15 LABEL INDICATES  
TOP OF BACK PANEL**

**1202 (x9)  
TORX PAN HEAD  
1/4-20x3/4 ASSY**

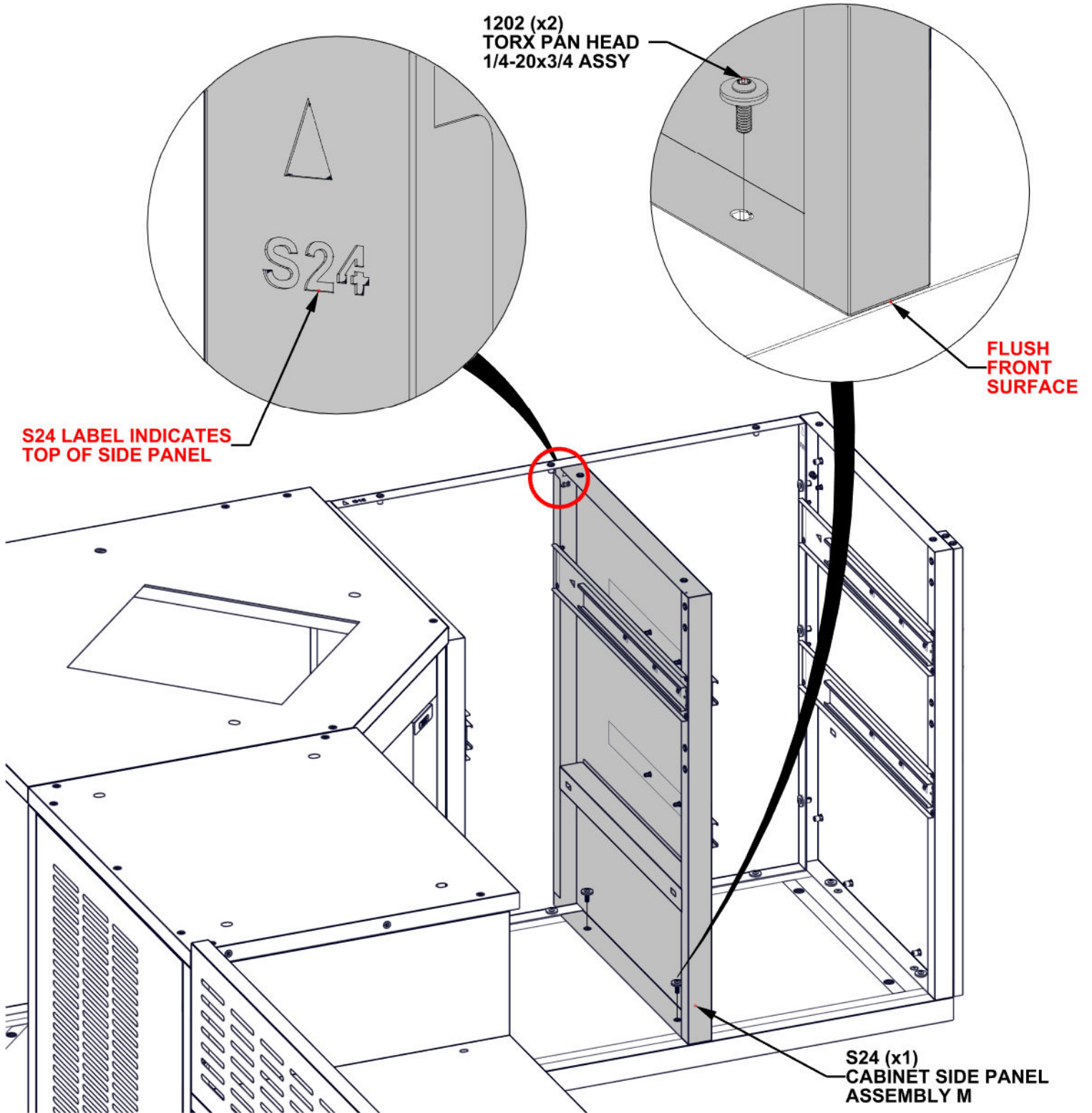


# STEP 33 - LEFT STORAGE CABINET ASSEMBLY

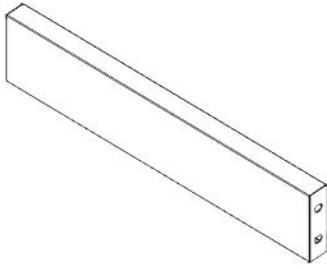


Qty	PartNo	Description
2	H101202	TORX PAN HEAD 1/4-20x3/4 ASSY

**S24 CABINET SIDE PANEL ASSEMBLY M - A4M04705**  
 (x1) 33 3/8"x23 3/8"x2 3/16" (56.2x593x847)



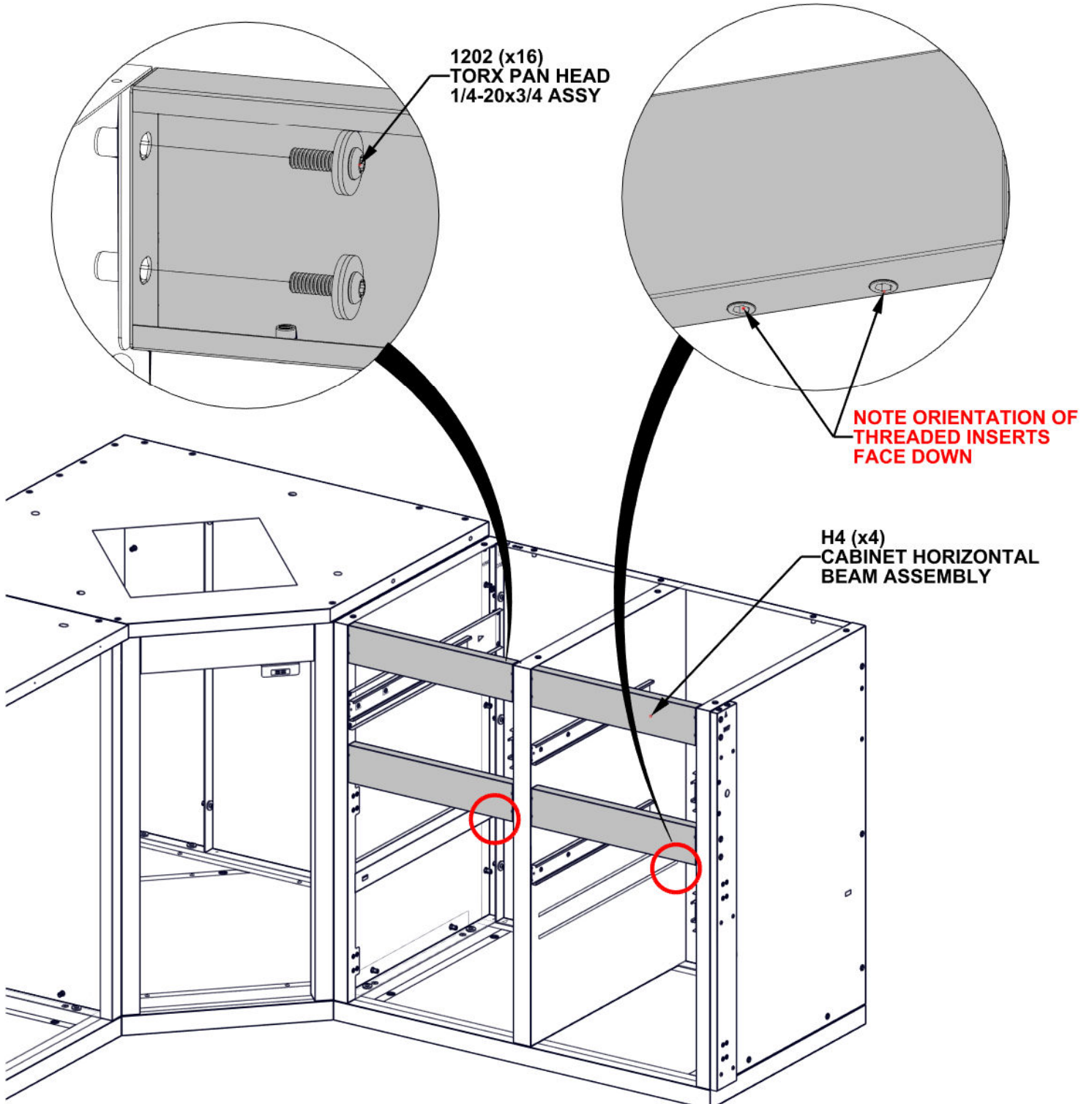
# STEP 34 - LEFT STORAGE CABINET ASSEMBLY



Qty	PartNo	Description
16	H101202	TORX PAN HEAD 1/4-20x3/4 ASSY

H4 CABINET HORIZONTAL BEAM ASSEMBLY - A4M03575  
(x4) 16 1/4"x3 3/8"x1" (25x85x413)

## - HARDWARE ATTACHES ON INSIDE OF CABINET



# STEP 35 - LEFT STORAGE CABINET ASSEMBLY

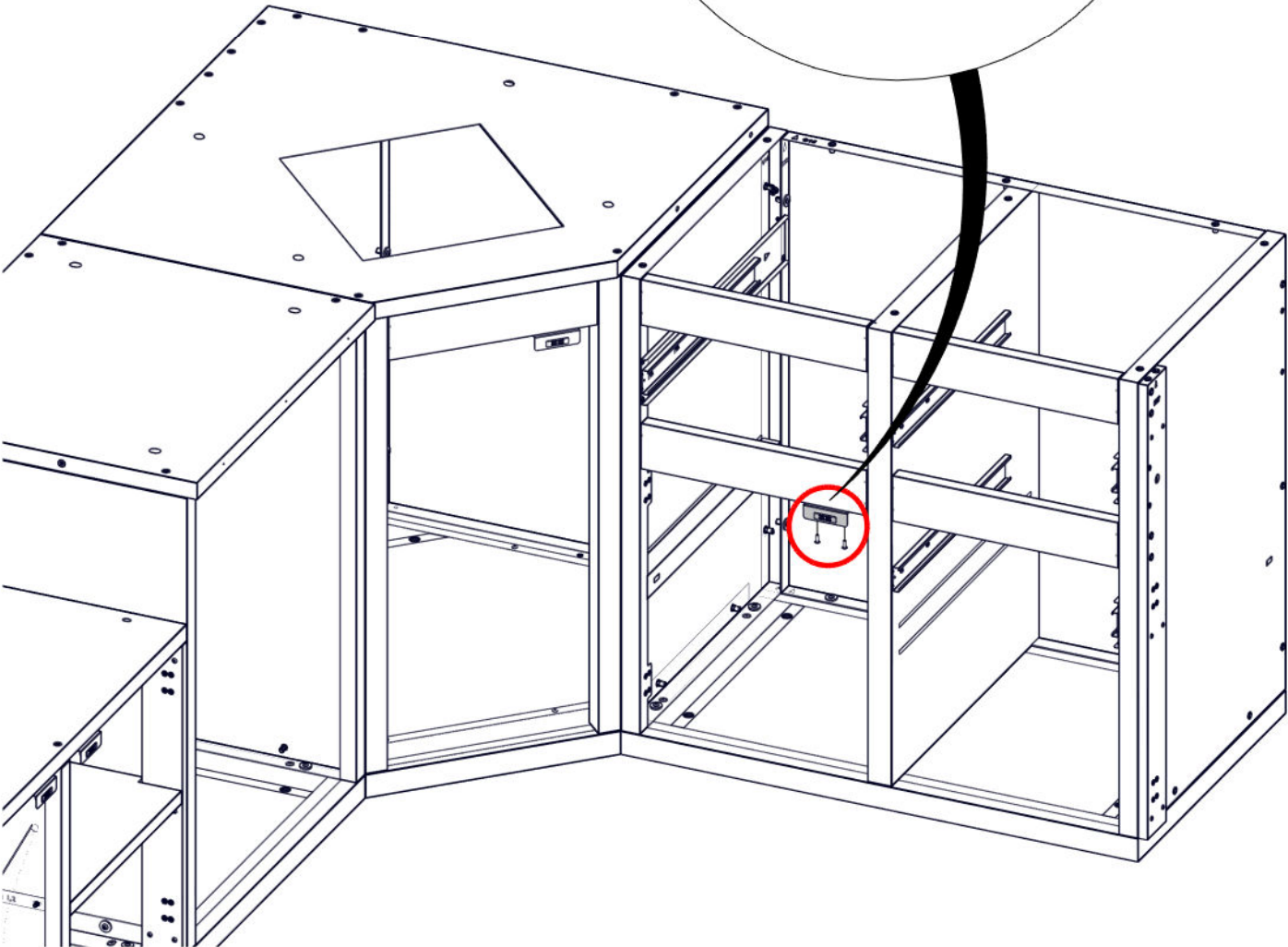
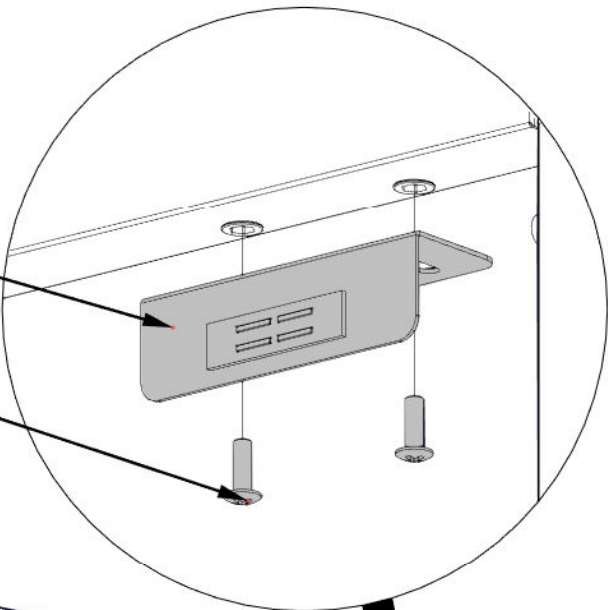
Qty	PartNo	Description
2	H101289	PAN HEAD SCREW 8-32x1/2" SS



**A2** MAGNET BRACKET - A4M03026  
(x1) 1"x1 1/4"x3 1/8" (25x31x80)

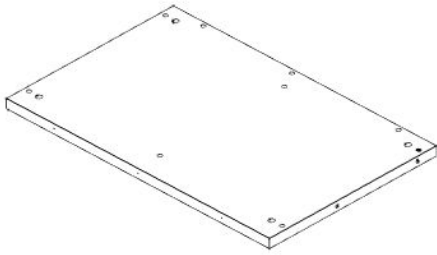
**A2 (x1)**  
MAGNET BRACKET

**1289 (x2)**  
PAN HEAD SCREW 8-32x1/2" SS



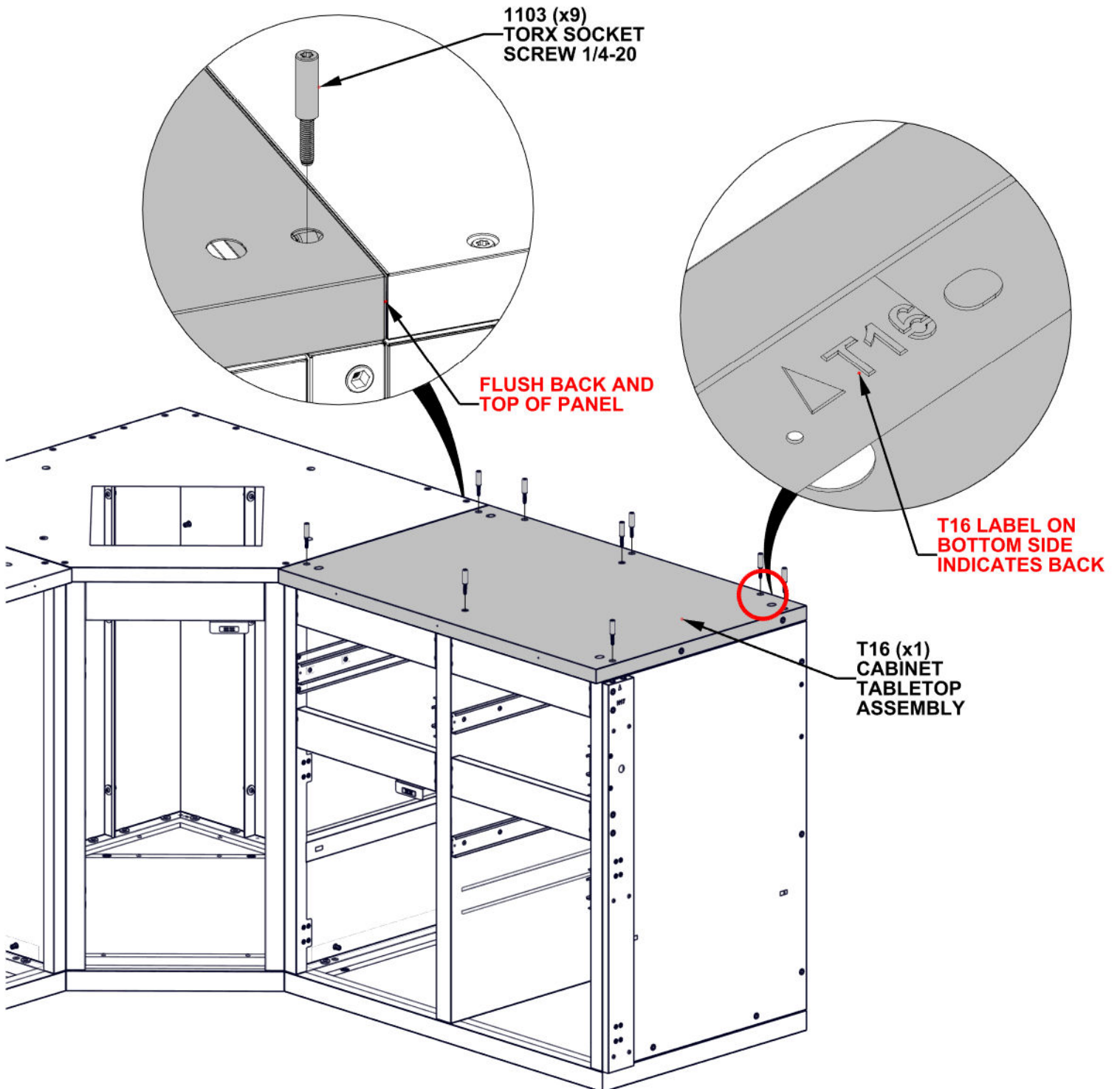
# STEP 36 - LEFT STORAGE CABINET ASSEMBLY

Qty	PartNo	Description
9	H101103	TORX SOCKET SCREW 1/4-20



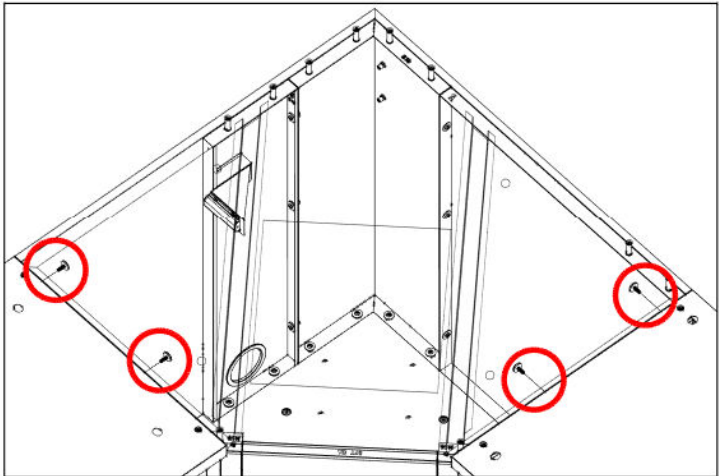
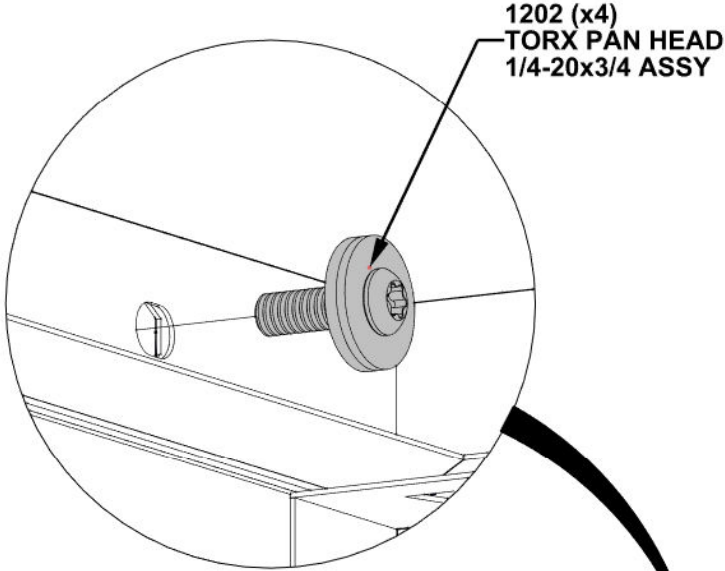
T16 CABINET TABLETOP ASSEMBLY - A4M04708  
(x1) 37 3/16"x24 1/8"x1 1/4" (32x612x944)

- FLUSH BACK AND SIDES OF PANEL ASSEMBLY.
- SQUARE ALL SIDES OF CABINET BEFORE TIGHTENING HARDWARE.

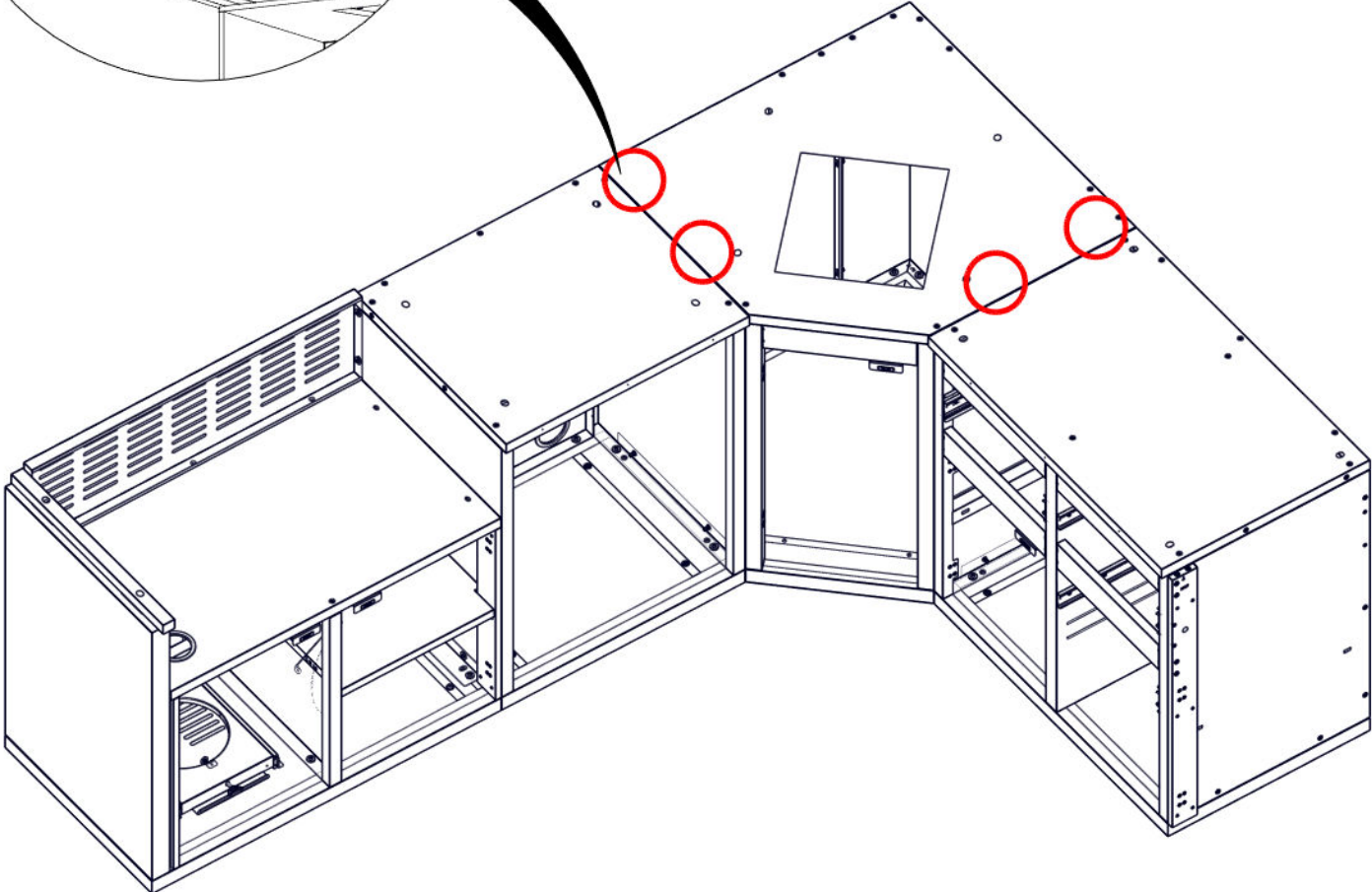


# STEP 37 - CONNECT TABLETOPS

Qty	PartNo	Description
4	H101202	TORX PAN HEAD 1/4-20x3/4 ASSY

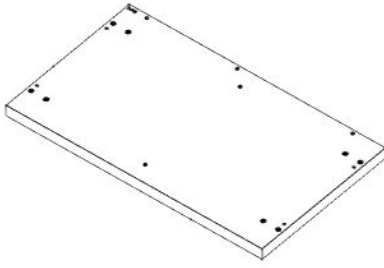


SCREW LOCATION

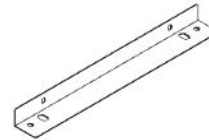


# STEP 38 - RIGHT STORAGE CABINET ASSEMBLY

Qty	PartNo	Description
4	H101202	TORX PAN HEAD 1/4-20x3/4 ASSY

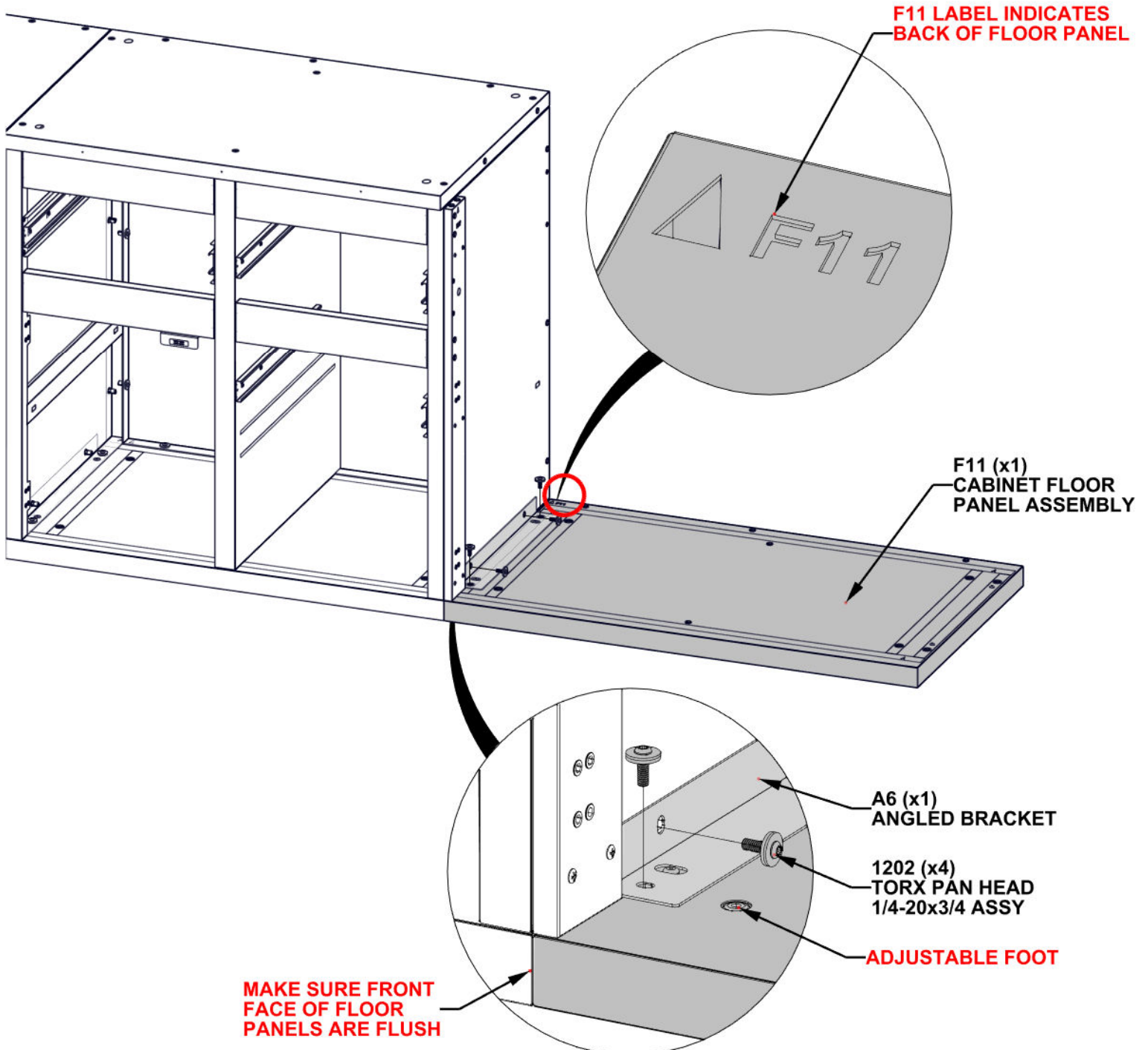


**F11 CABINET FLOOR PANEL ASSEMBLY - A4M04840**  
 (x1) 40 3/16"x23 3/8"x2 5/8" (66x594x1020)



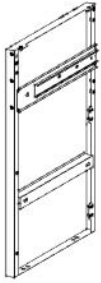
**A6 ANGLED BRACKET - A4M03053**  
 (x1) 1 3/8"x1 15/16"x17 1/8" (35x50x435)

- POSITION FLOOR PANEL AS SHOWN BELOW.
- EACH FLOOR PANEL HAS FACTORY INSTALLED ADJUSTABLE FEET. USE PROVIDED HEX DRIVER TO ADJUST EACH FOOT UNTIL PANEL IS LEVEL.

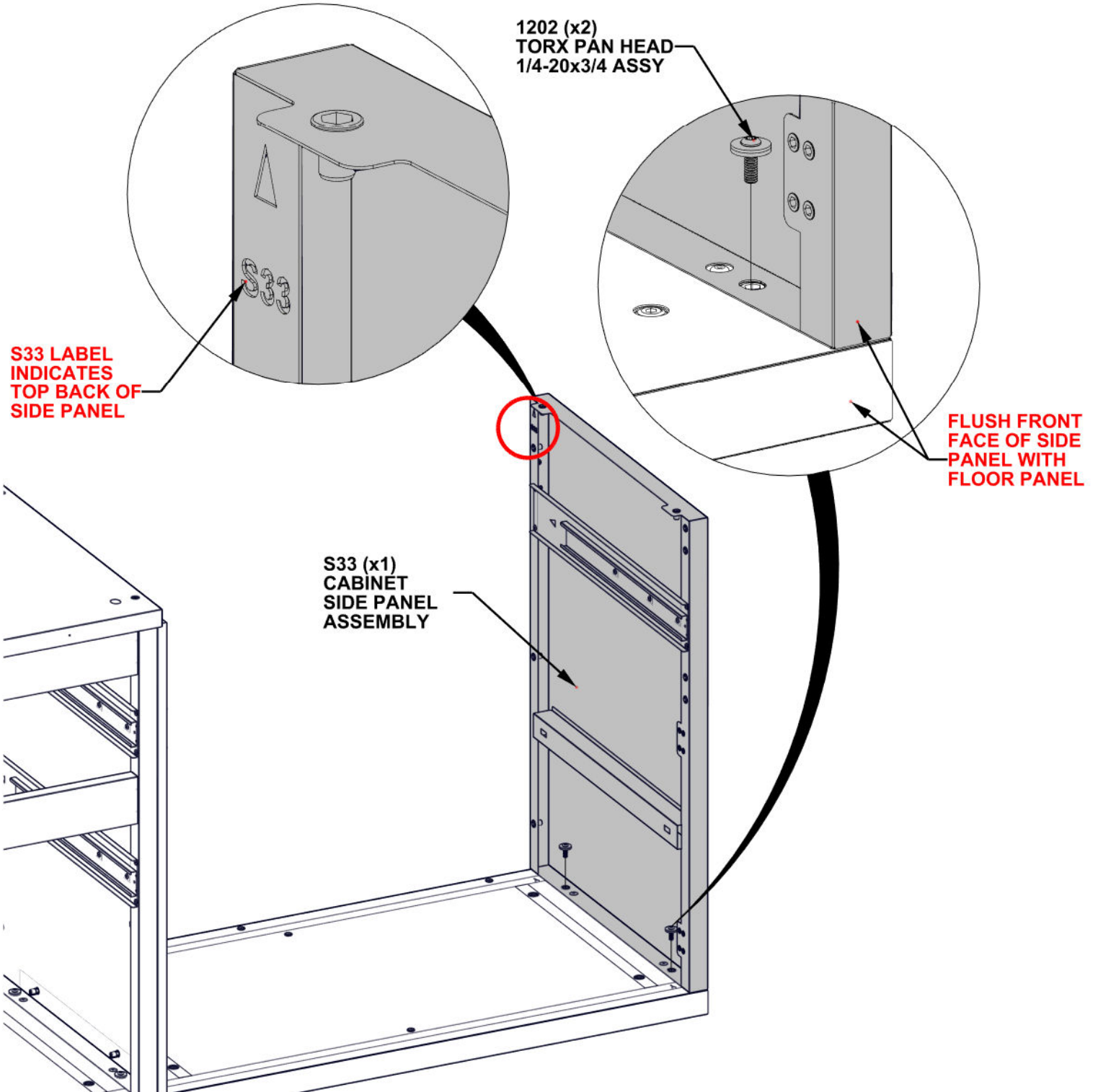


# STEP 39 - RIGHT STORAGE CABINET ASSEMBLY

Qty	PartNo	Description
2	H101202	TORX PAN HEAD 1/4-20x3/4 ASSY

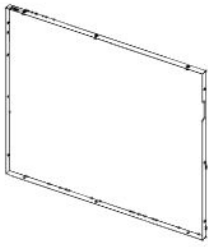


S33 CABINET SIDE PANEL ASSEMBLY - A4M04836  
 (x1) 33 3/8"x23 3/8"x1 15/16" (49.00x594x848)

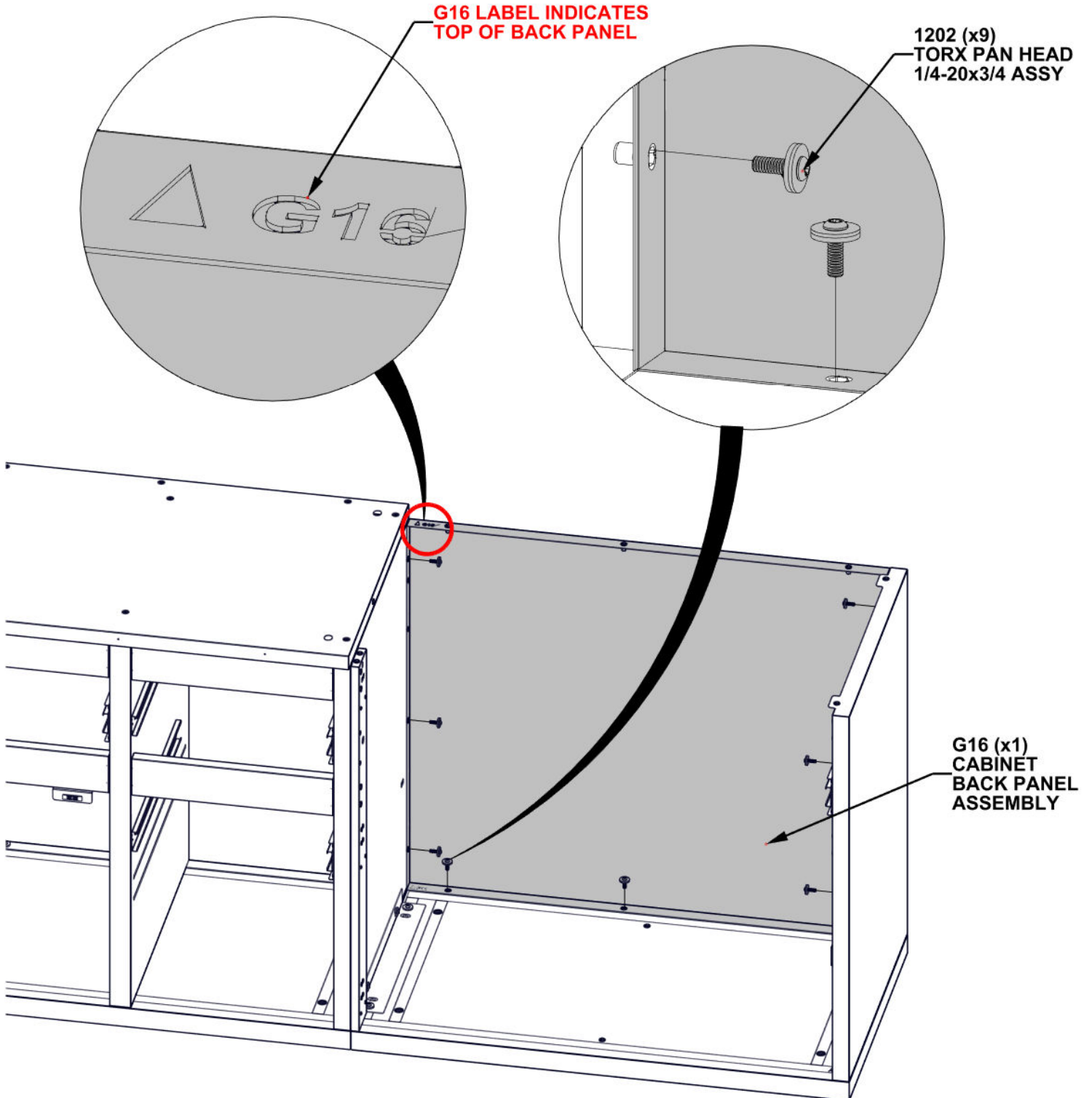


# STEP 40 - RIGHT STORAGE CABINET ASSEMBLY

Qty	PartNo	Description
9	H101202	TORX PAN HEAD 1/4-20x3/4 ASSY



G16 CABINET BACK PANEL ASSEMBLY - A4M04839  
(x1) 38 3/4"x33 3/8"x1 3/16" (30.00x847.20847.20x984.00)

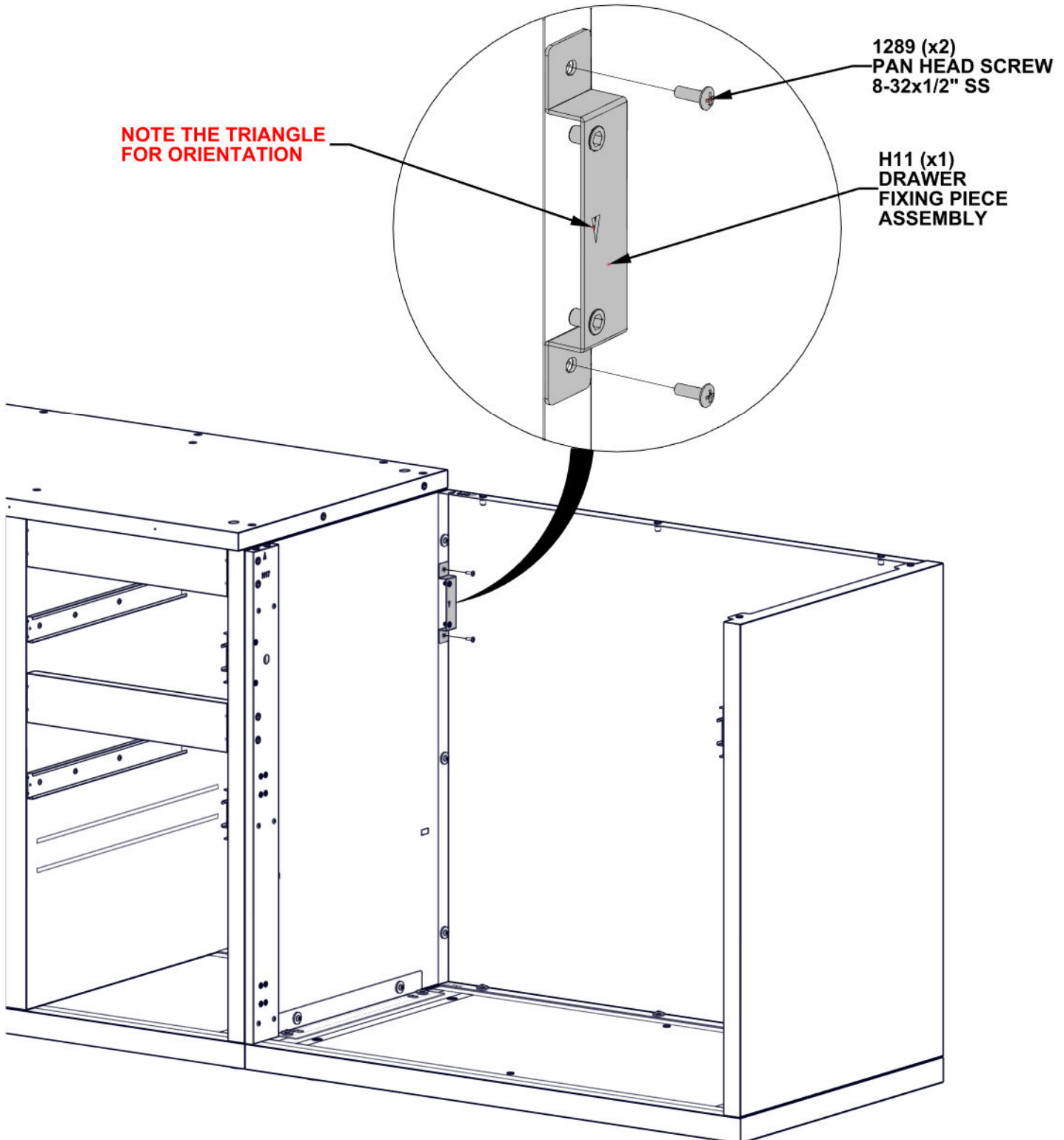


# STEP 41A - RIGHT STORAGE CABINET ASSEMBLY

Qty	PartNo	Description
2	H101289	PAN HEAD SCREW 8-32x1/2" SS

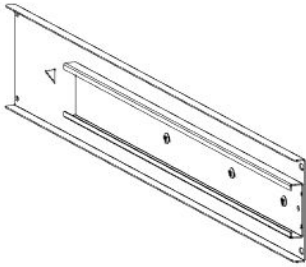


H11 DRAWER FIXING PIECE ASSEMBLY - A4M03692  
(x1) 5 3/8"x1 1/16"x11/16" (17.20x27.00x137.00)



# STEP 41B - RIGHT STORAGE CABINET ASSEMBLY

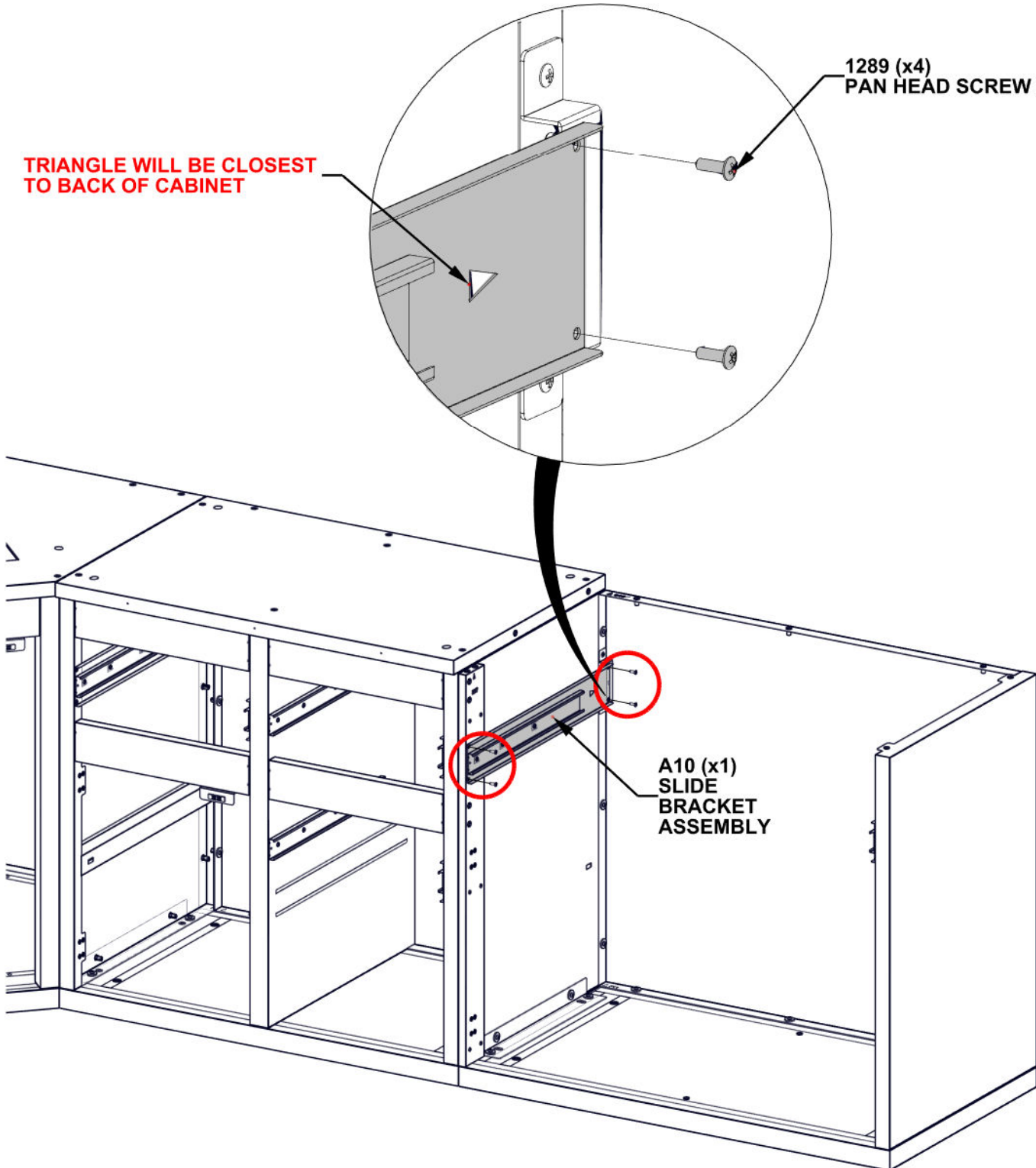
Qty	PartNo	Description
4	H101289	PAN HEAD SCREW 8-32x1/2" SS



**A10 SLIDE BRACKET ASSEMBLY - A4M03083**  
(x1) 15/16"x3 3/8"x22 5/8" (23x85x575)

**TRIANGLE WILL BE CLOSEST TO BACK OF CABINET**

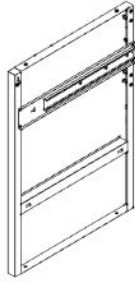
**1289 (x4)**  
**PAN HEAD SCREW 8-32x1/2" SS**



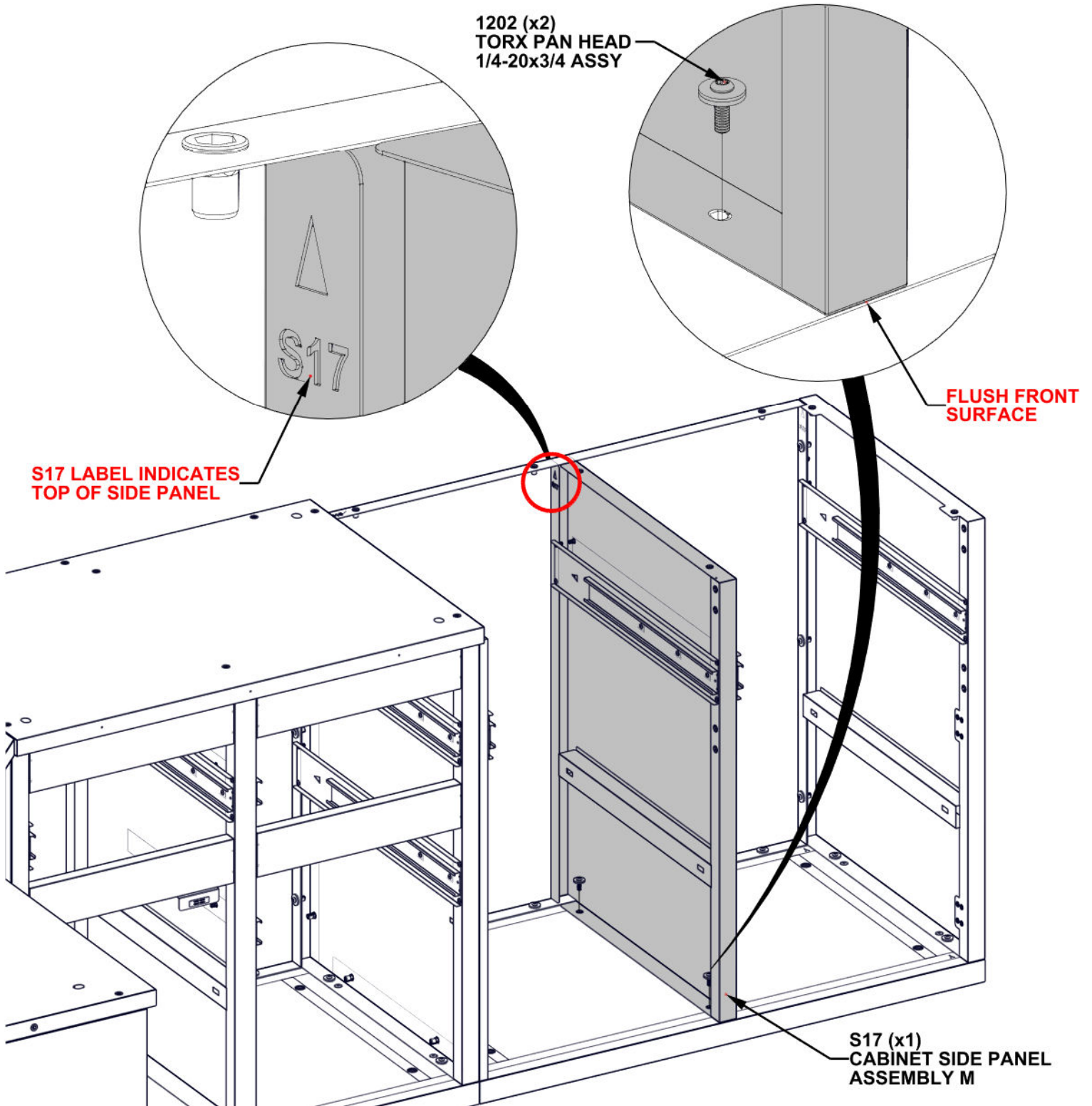
**A10 (x1)**  
**SLIDE**  
**BRACKET**  
**ASSEMBLY**

# STEP 42 - RIGHT STORAGE CABINET ASSEMBLY

Qty	PartNo	Description
2	H101202	TORX PAN HEAD 1/4-20x3/4 ASSY

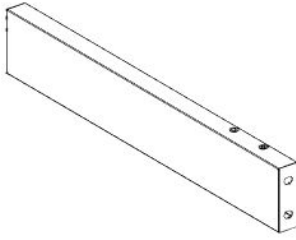


**S17 CABINET SIDE PANEL ASSEMBLY M - A4M05647**  
 (x1) 33 3/8"x23 3/8"x1 3/8" (35.00x593.20x847.20)



# STEP 43 - RIGHT STORAGE CABINET ASSEMBLY

Qty	PartNo	Description
16	H101202	TORX PAN HEAD 1/4-20x3/4 ASSY

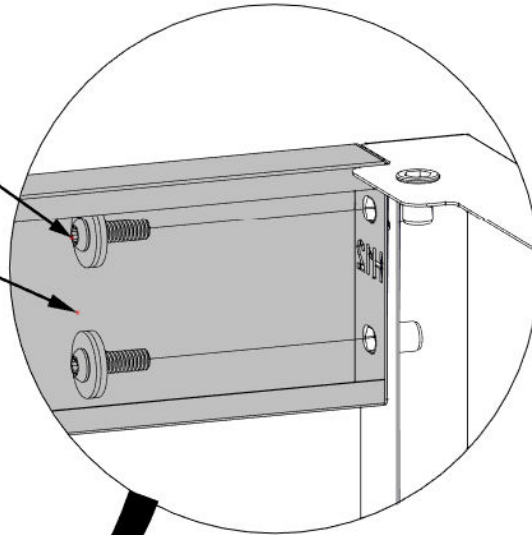


H12 HORIZONTAL BEAM ASSEMBLY - A4M03695  
(x4) 18 1/4"x2 15/16"x1" (25.00x75.00x464.00)

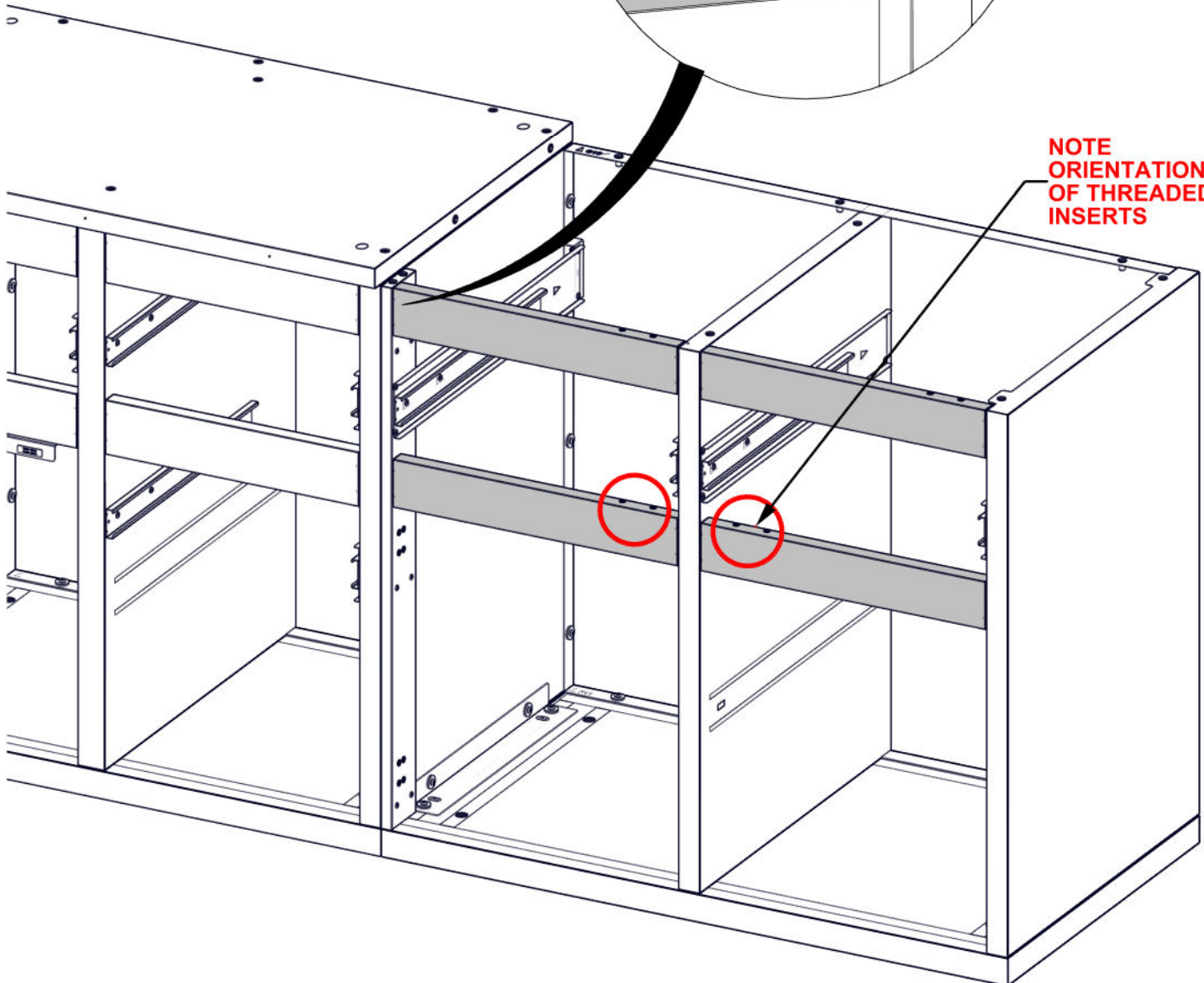
## - HARDWARE ATTACHES ON INSIDE OF CABINET

1202 (x16)  
TORX PAN HEAD 1/4-20x3/4 ASSY

H12 (x4)  
HORIZONTAL BEAM ASSEMBLY

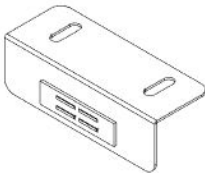


**NOTE  
ORIENTATION  
OF THREADED  
INSERTS**

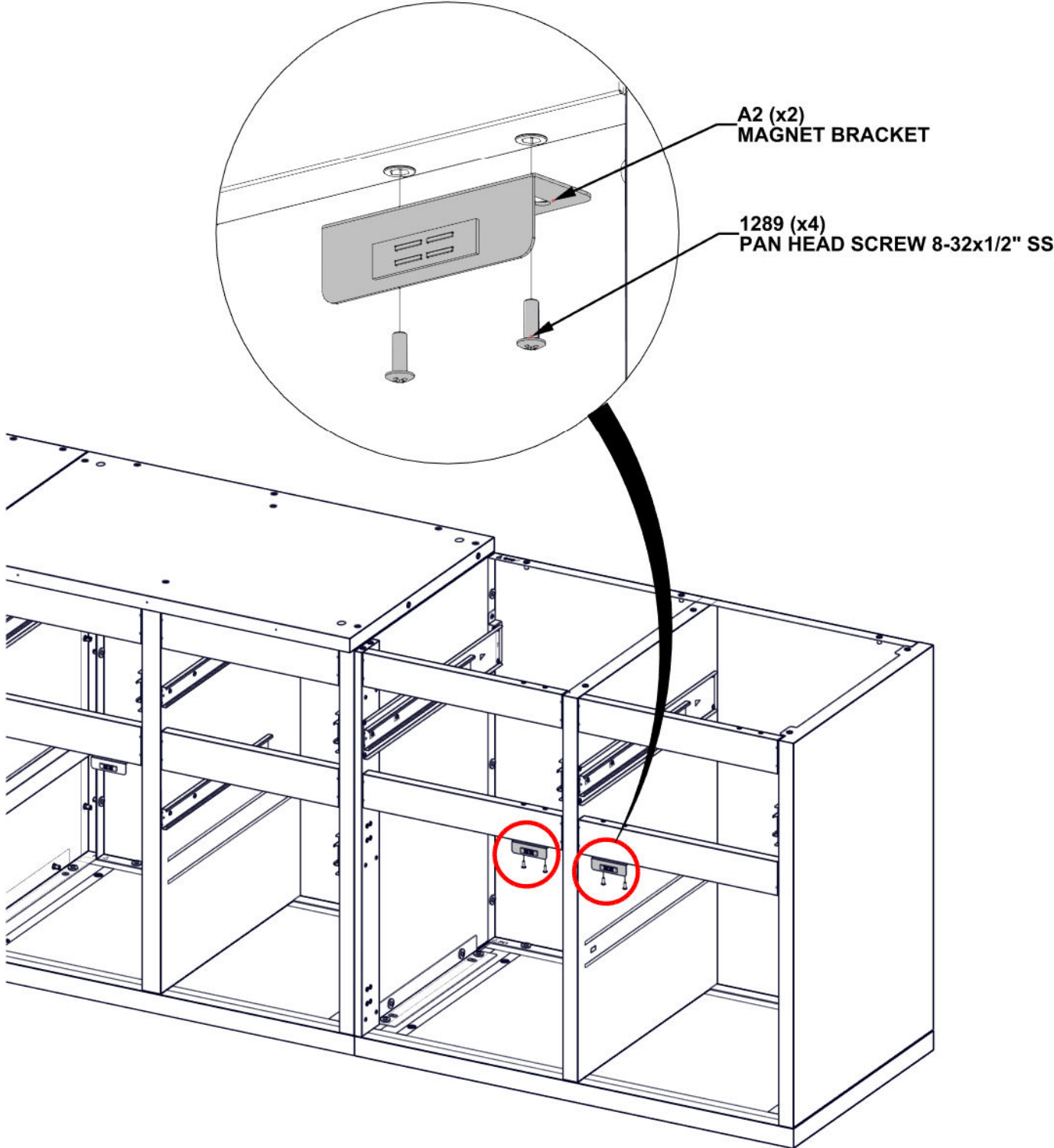


# STEP 44 - RIGHT STORAGE CABINET ASSEMBLY

Qty	PartNo	Description
4	H101289	PAN HEAD SCREW 8-32x1/2" SS

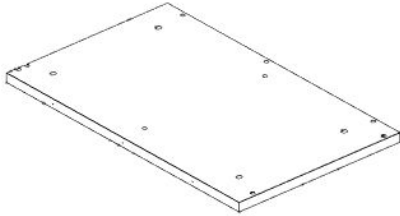


**A2 MAGNET BRACKET - A4M03026**  
(x2) 1"x1 1/4"x3 1/8" (25x31x80)



# STEP 45 - RIGHT STORAGE CABINET ASSEMBLY

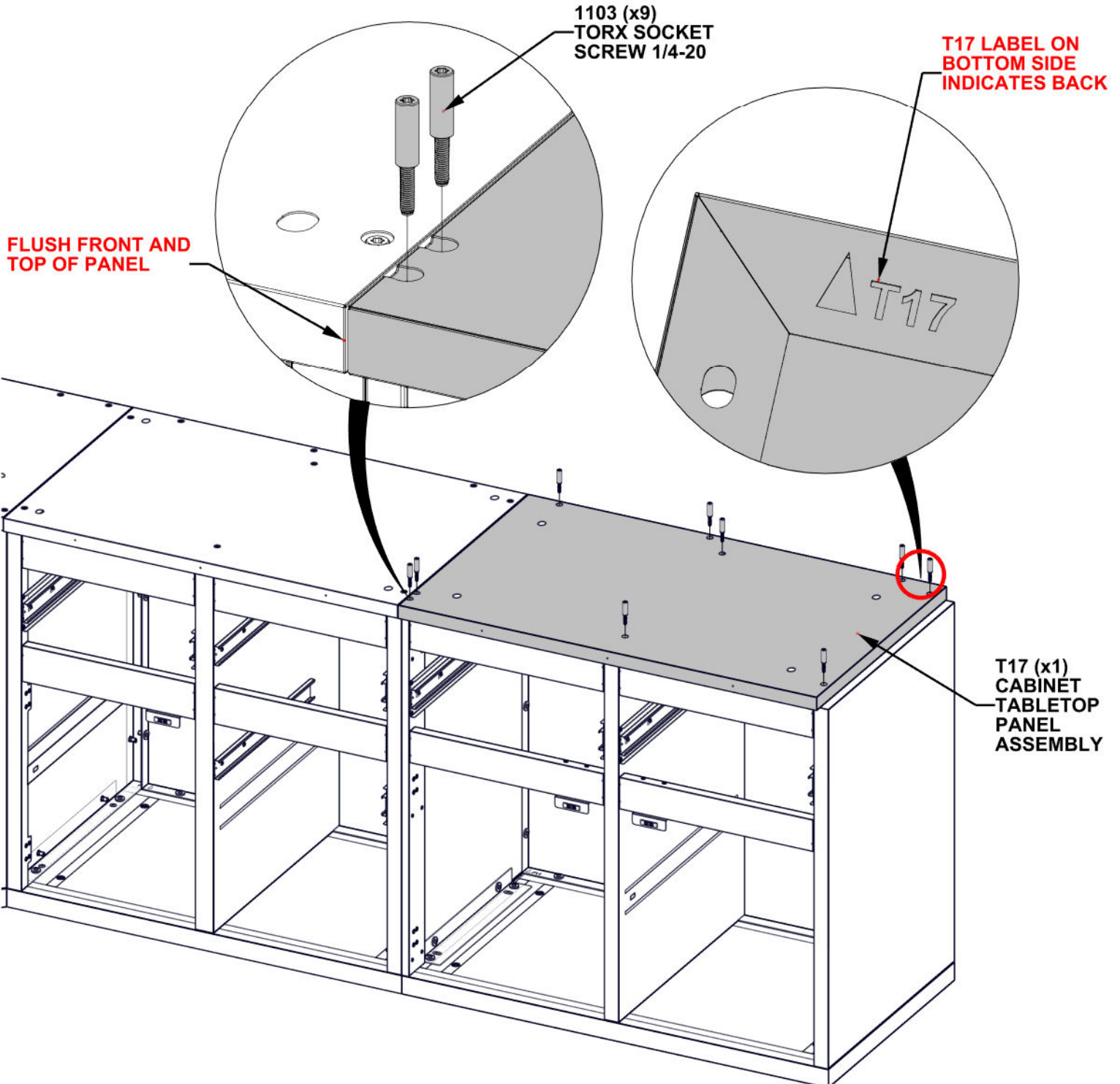
Qty	PartNo	Description
9	H101103	TORX SOCKET SCREW 1/4-20



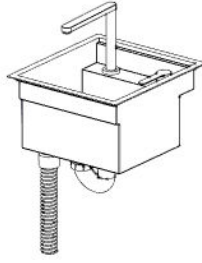
T17 CABINET TABLETOP PANEL ASSEMBLY - A4M04842  
(x1) 39 7/16"x24 1/8"x1 1/4"x1 1/4" (32.00x612.00x1001.00)

- FLUSH BACK AND SIDES OF PANEL ASSEMBLY.

- SQUARE ALL SIDES OF CABINET BEFORE TIGHTENING HARDWARE.



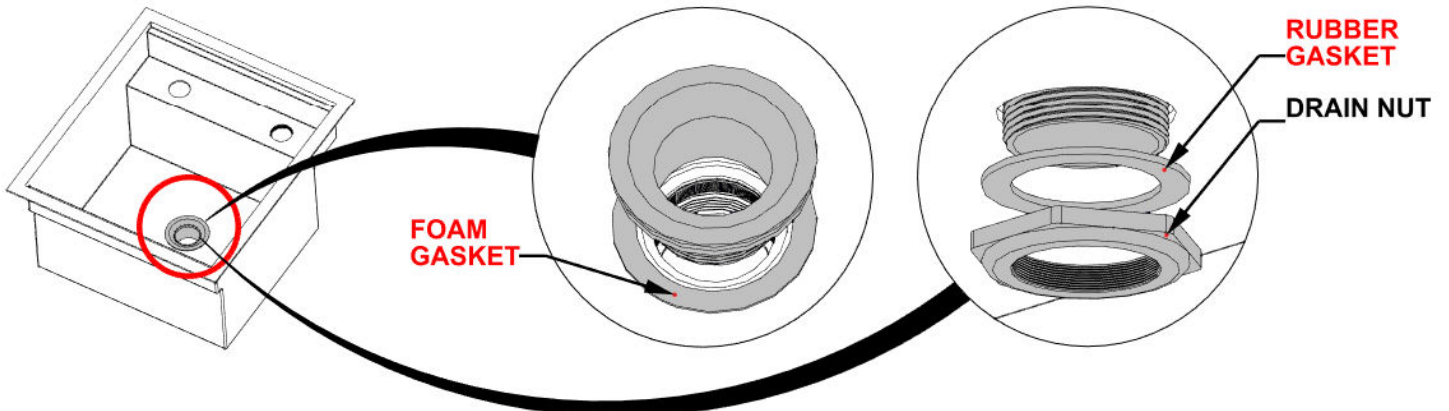
# STEP 46A - SINK INSTALLATION



A16 SINK ASSEMBLY - A4M03143  
(x1) 15 1/8"x15 5/16"x16 7/8" (384x389x429)

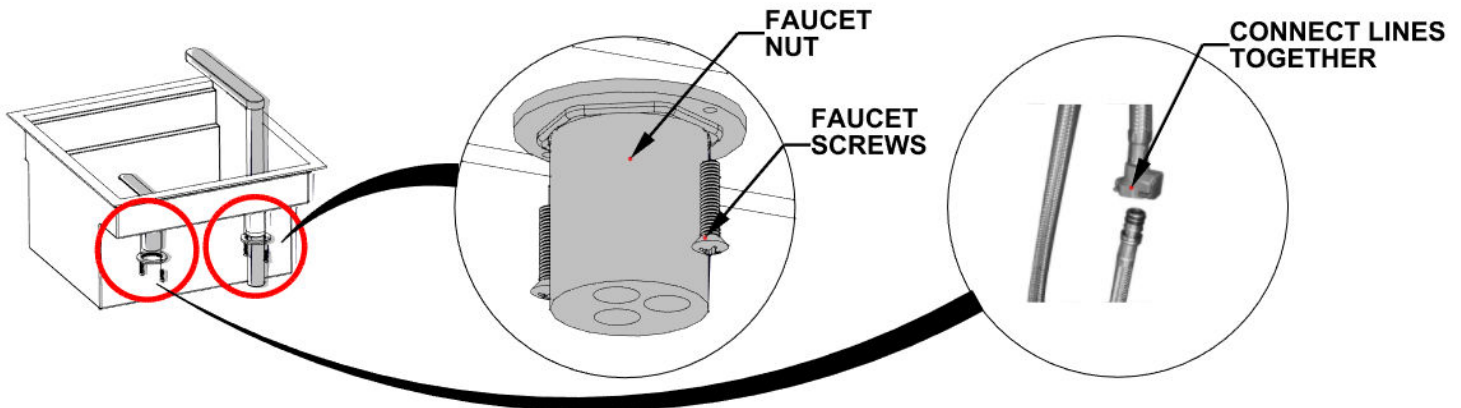
## 1. INSTALLING THE SINK DRAIN

- SET DRAIN INSIDE OF SINK BODY, PLACING FOAM GASKET BETWEEN SURFACES.
- FASTEN IN PLACE USING RUBBER GASKET AND DRAIN NUT FROM BOTTOM SIDE.



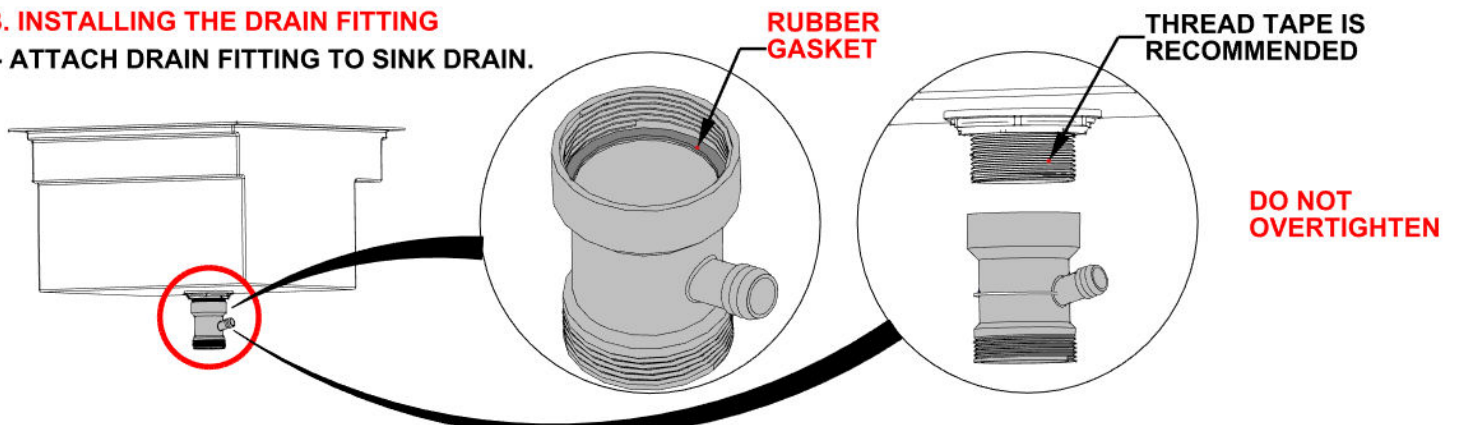
## 2. INSTALLING THE FAUCET

- INSTALL FAUCET BY PLACING HANDLE AND SPOUT INTO SINK OPENINGS AND SECURING IN PLACE VIA NUT.
- INSERT SCREWS TO LOCK.
- CONNECT WATER FAUCET LINES TOGETHER.

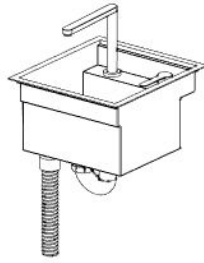


## 3. INSTALLING THE DRAIN FITTING

- ATTACH DRAIN FITTING TO SINK DRAIN.



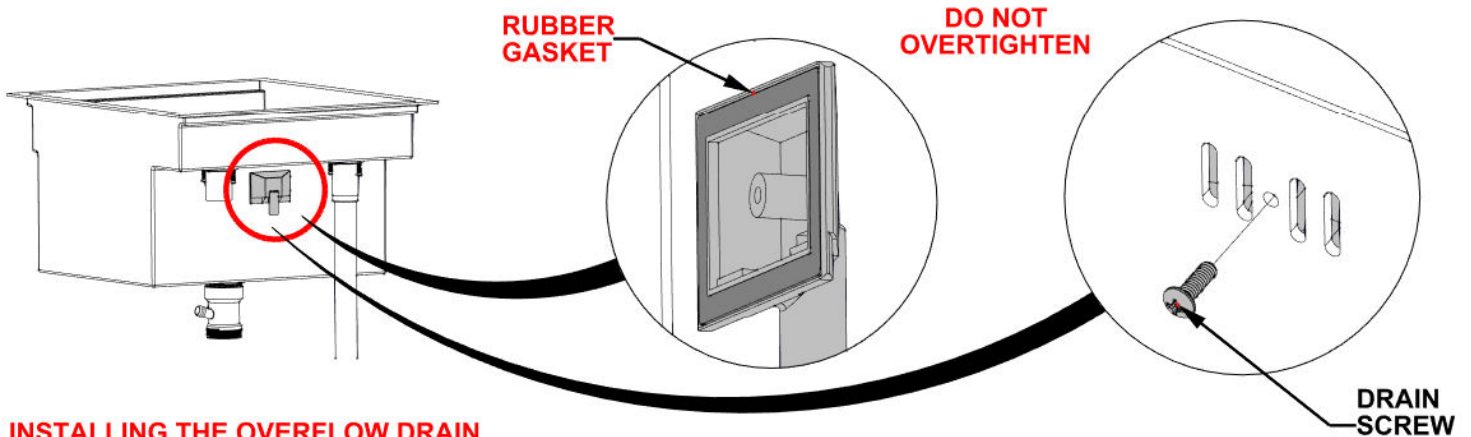
# STEP 46B - SINK INSTALLATION



A16 SINK ASSEMBLY - A4M03143  
(x1) 15 1/8"x15 5/16"x16 7/8" (384x389x429)

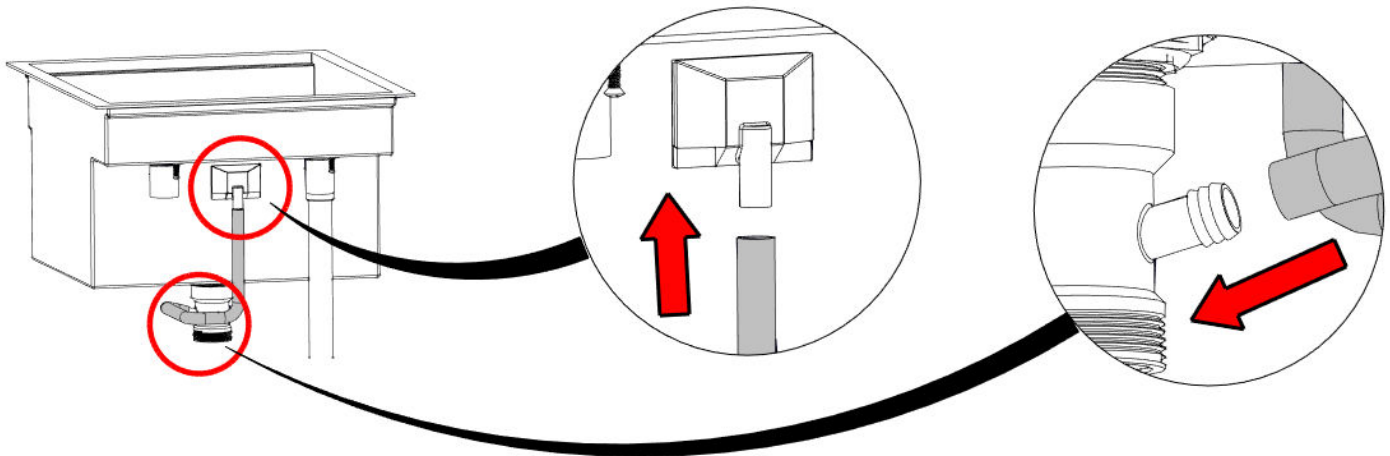
## 4. INSTALLING THE OVERFLOW DRAIN

- MAKE SURE RUBBER GASKET IS INSTALLED IN OVERFLOW DRAIN.
- INSERT DRAIN SCREW TO HOLD IN PLACE.



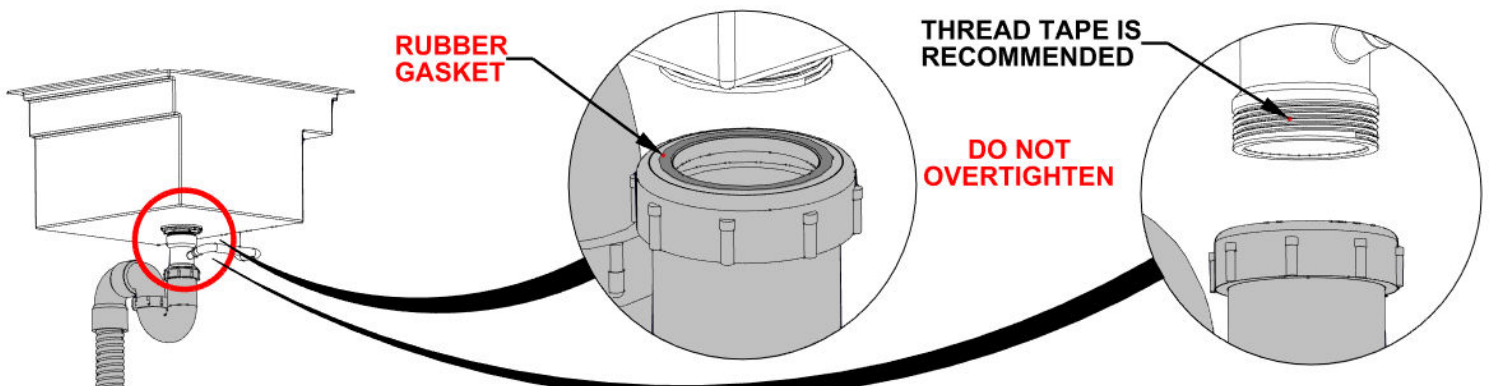
## 5. INSTALLING THE OVERFLOW DRAIN

- ATTACH OVERFLOW DRAIN BY CONNECTING EACH END AS SHOWN.

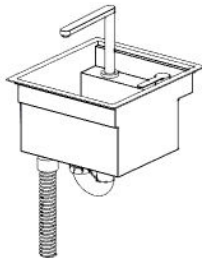


## 6. INSTALLING THE MAIN DRAIN AND TRAP

- ATTACH TRAP AND CORRUGATED DRAIN HOSE TO DRAIN FITTING.



# STEP 46C - SINK INSTALLATION



A16 SINK ASSEMBLY - A4M03143  
(x1) 15 1/8"x15 5/16"x16 7/8" (384x389x429)



A4M03151 GARDEN HOSE ADAPTER  
(x1)

- SINK IS DESIGNED TO FIT SNUG. GENTLY PRESS THE SIDES OF THE SINK IN AS YOU LOWER SINK BODY INTO PANEL.
- DRAIN STRAINER MUST BE USED WHEN DISCARDING FOOD INSIDE OF SINK.
- DO NOT LET SOLID MATERIAL ENTER SINK BASIN.

## OPTIONS FOR WATER INLET SUPPLY HOOKUP:

- GARDEN HOSE ATTACHMENT USING PROVIDED ADAPTER
- WATER INLET SUPPLY LINE

## OPTIONS FOR DRAIN DISCHARGE:

- BUCKET OR GREY WATER CONTAINER
- FRENCH DRAIN OR DRY BASIN
- INTEGRATED SEWER SYSTEM
- CHECK YOUR LOCAL REQUIREMENTS.

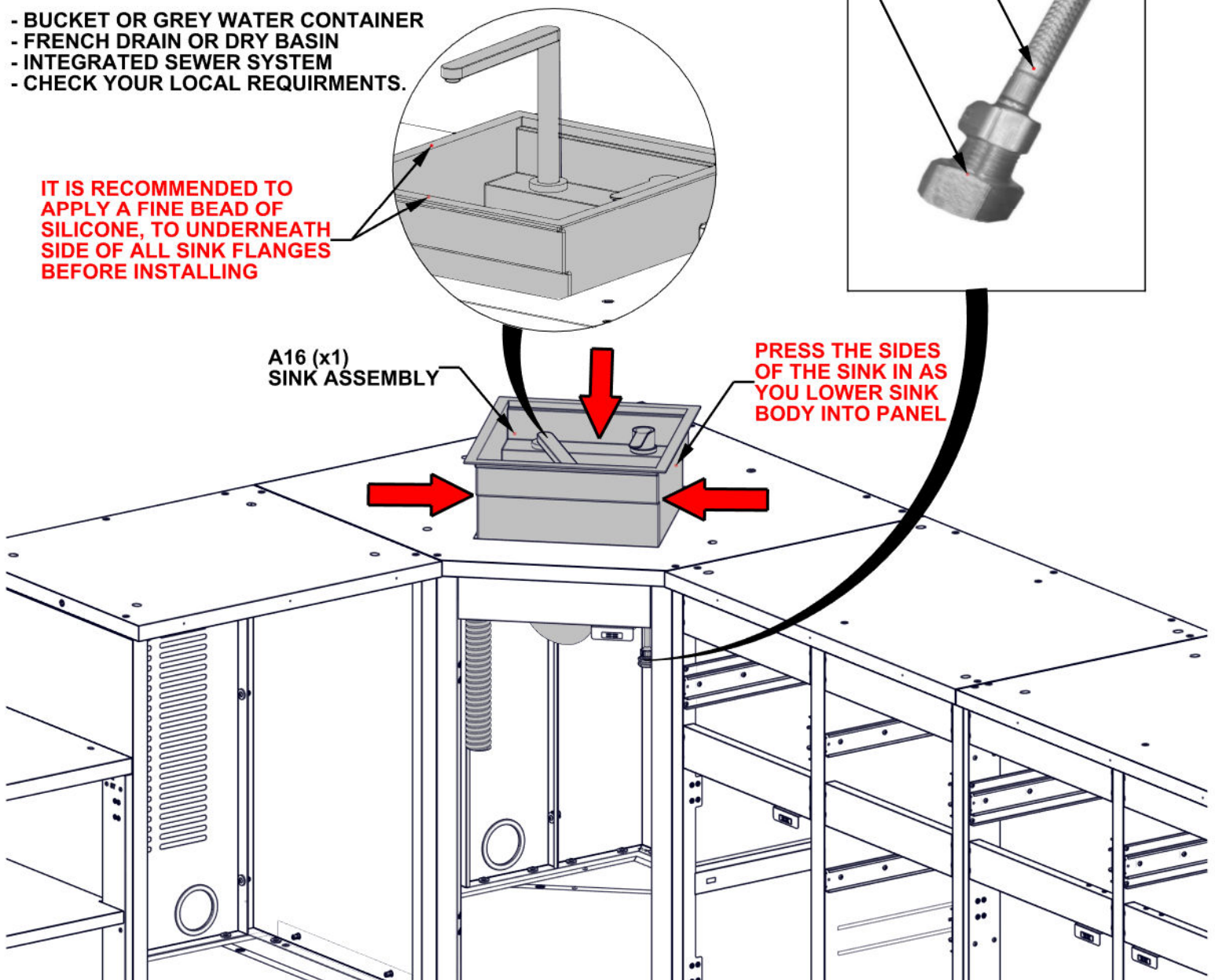
ATTACH ADAPTER  
TO INLET LINE AND  
TIGHTEN WITH WRENCH

3151 (x1)  
GARDEN HOSE  
ADAPTER

IT IS RECOMMENDED TO  
APPLY A FINE BEAD OF  
SILICONE, TO UNDERNEATH  
SIDE OF ALL SINK FLANGES  
BEFORE INSTALLING

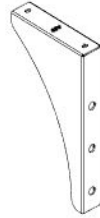
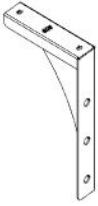
A16 (x1)  
SINK ASSEMBLY

PRESS THE SIDES  
OF THE SINK IN AS  
YOU LOWER SINK  
BODY INTO PANEL



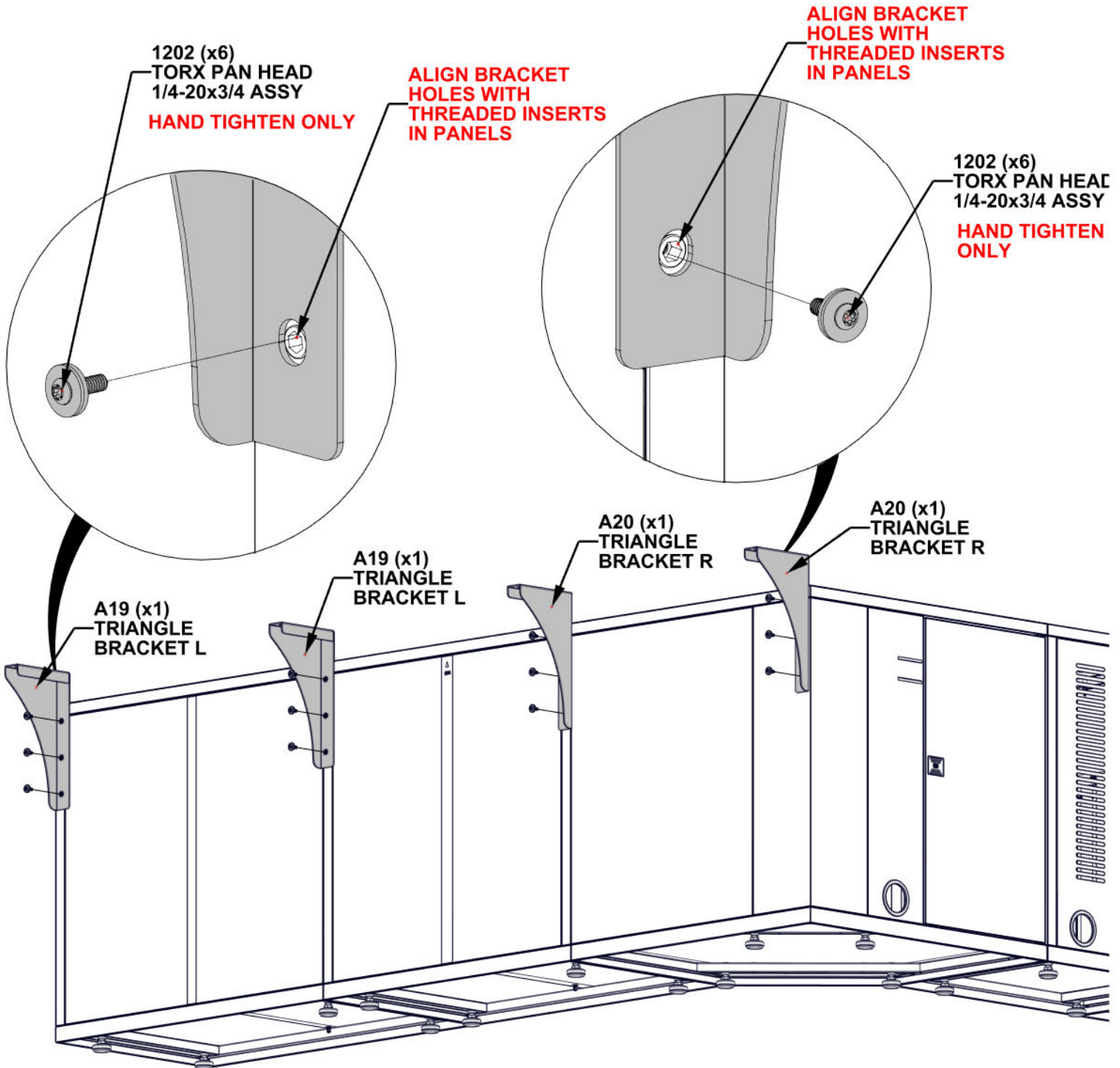
# STEP 47A - BAR TABLE INSTALLATION

Qty	PartNo	Description
12	H101202	TORX PAN HEAD 1/4-20x3/4 ASSY



A19 TRIANGLE BRACKET L - A4M04727  
(x2) 14 11/16"x7 7/8"x1 15/16" (50x200.00x373.1)

A20 TRIANGLE BRACKET R - A4M04722  
(x2) 14 11/16"x7 7/8"x1 15/16" (50x200x373.1)

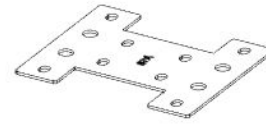


# STEP 47B - BAR TABLE INSTALLATION

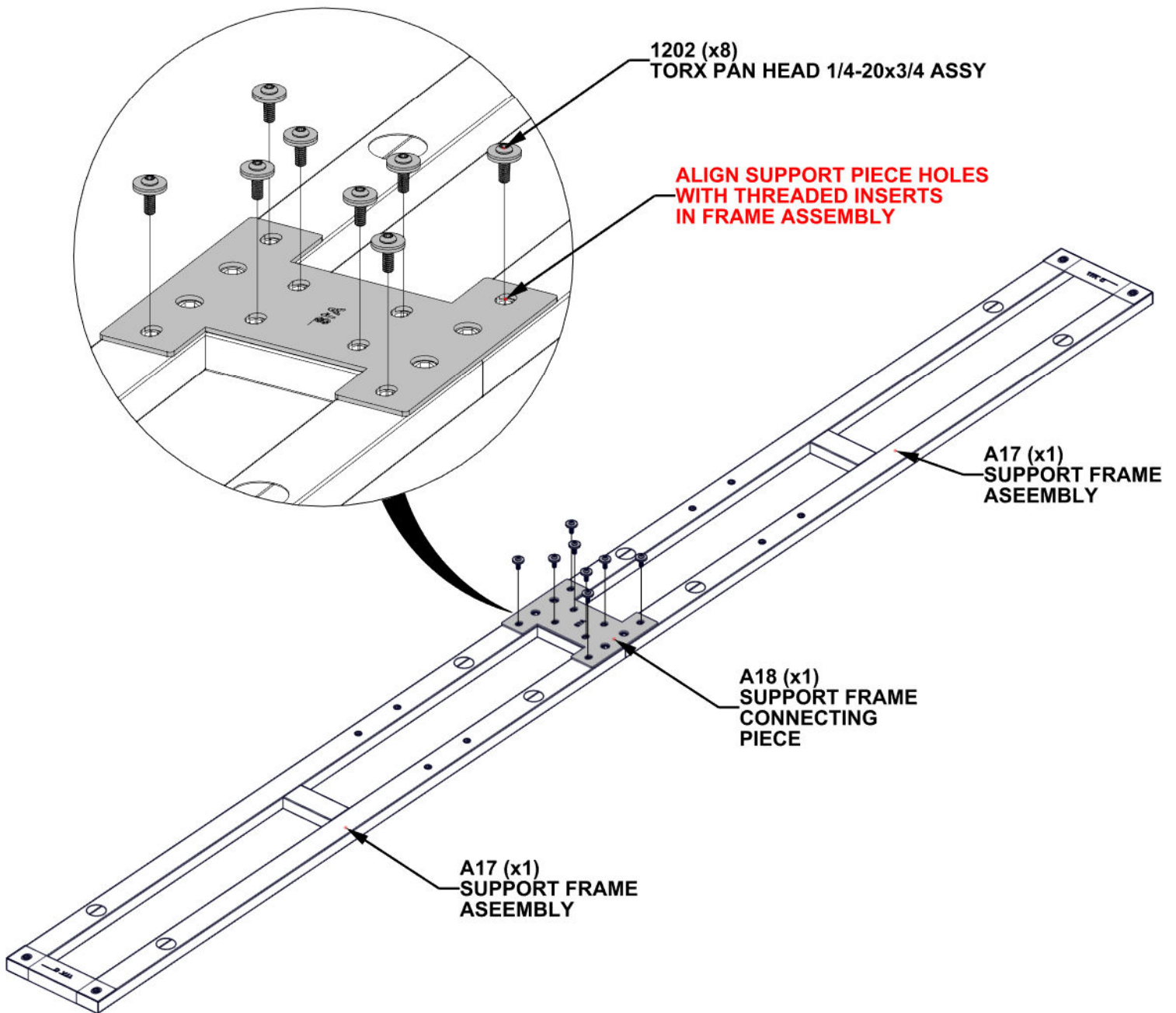
Qty	PartNo	Description
8	H101202	TORX PAN HEAD 1/4-20x3/4 ASSY



A17 SUPPORT FRAME ASEMBLY - A4M04723  
(x2) 54 1/2"x8 1/4"x1" (25x210x1384.8)

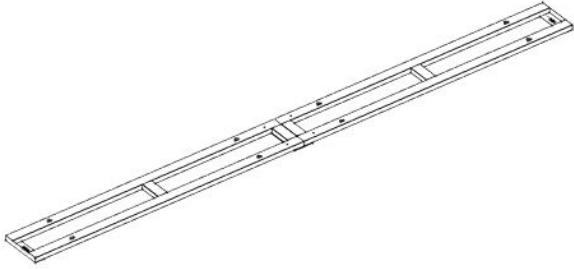


A18 SUPPORT FRAME CONNECTING PIECE - A4M04724  
(x1) 1/8"x7 1/16"x8 1/4" (3x180x210)



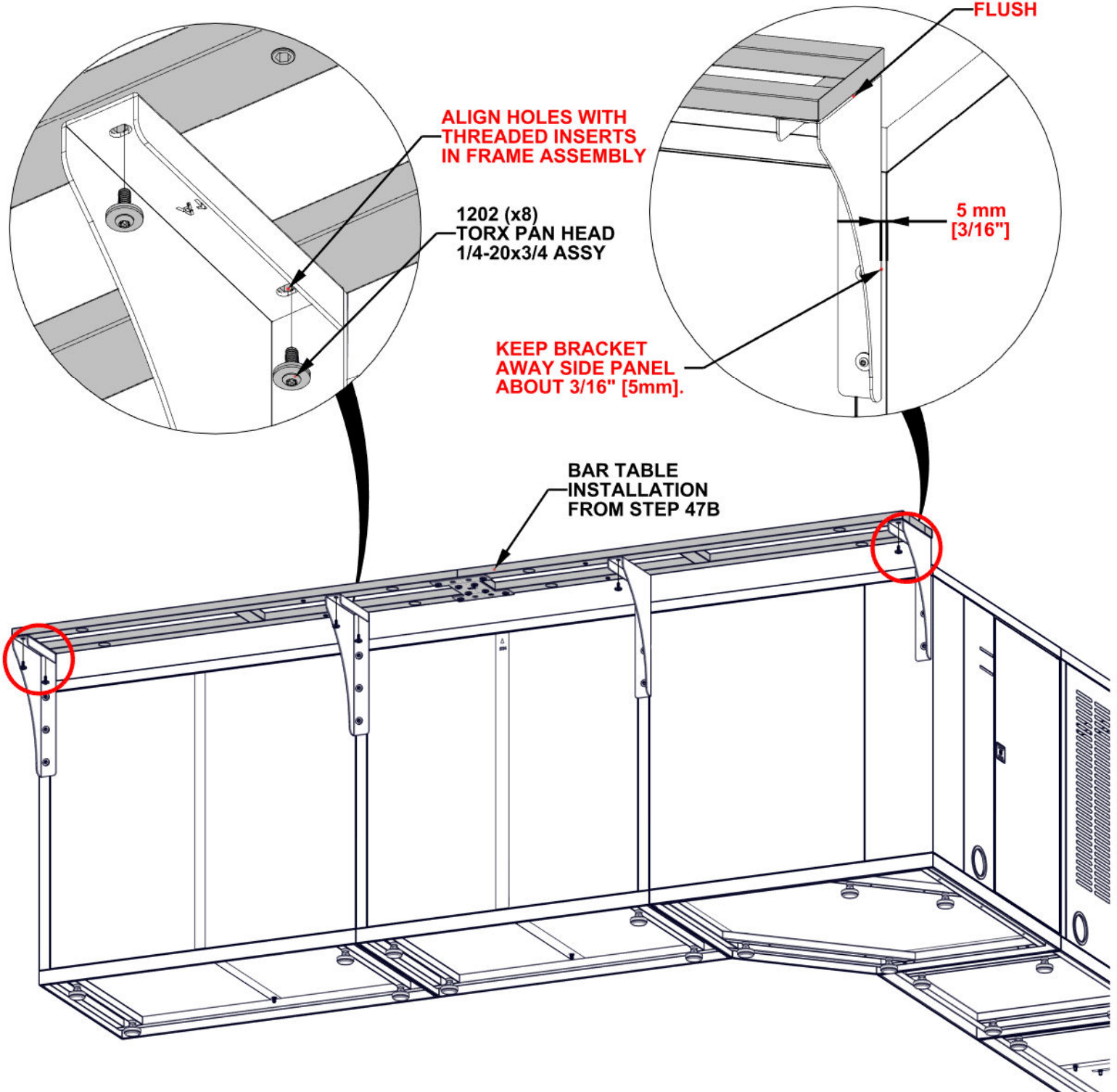
# STEP 47C - BAR TABLE INSTALLATION

Qty	PartNo	Description
8	H101202	TORX PAN HEAD 1/4-20x3/4 ASSY

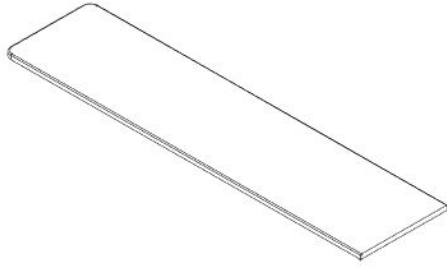


BAR TABLE INSTALLATION FROM STEP 47B

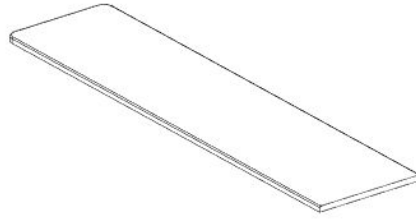
- LEVEL BAR TABLE AS NEEDED BEFORE TIGHTENING HARDWARE.
- TIGHTEN ALL HARDWARE FROM STEP 47A.



# STEP 48A - BAR TABLE COUNTERTOP INSTALLATION

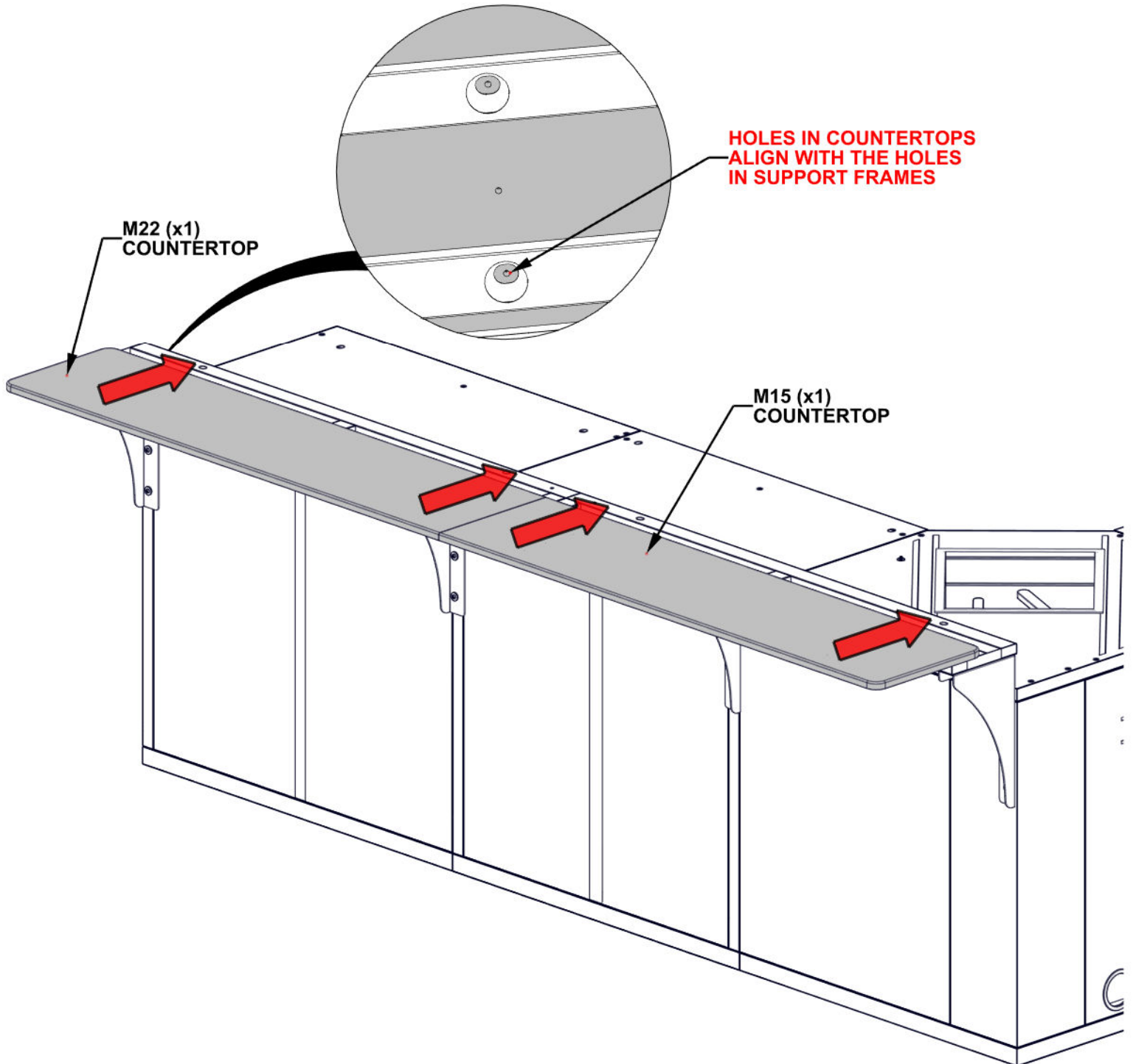


M15 COUNTERTOP - A4M05958  
(x1) 56 11/16"x13 3/4"x11/16" (18x350x1440)



M22 COUNTERTOP - A4M05956  
(x1) 56 11/16"x13 3/4"x11/16" (18x350x1440)

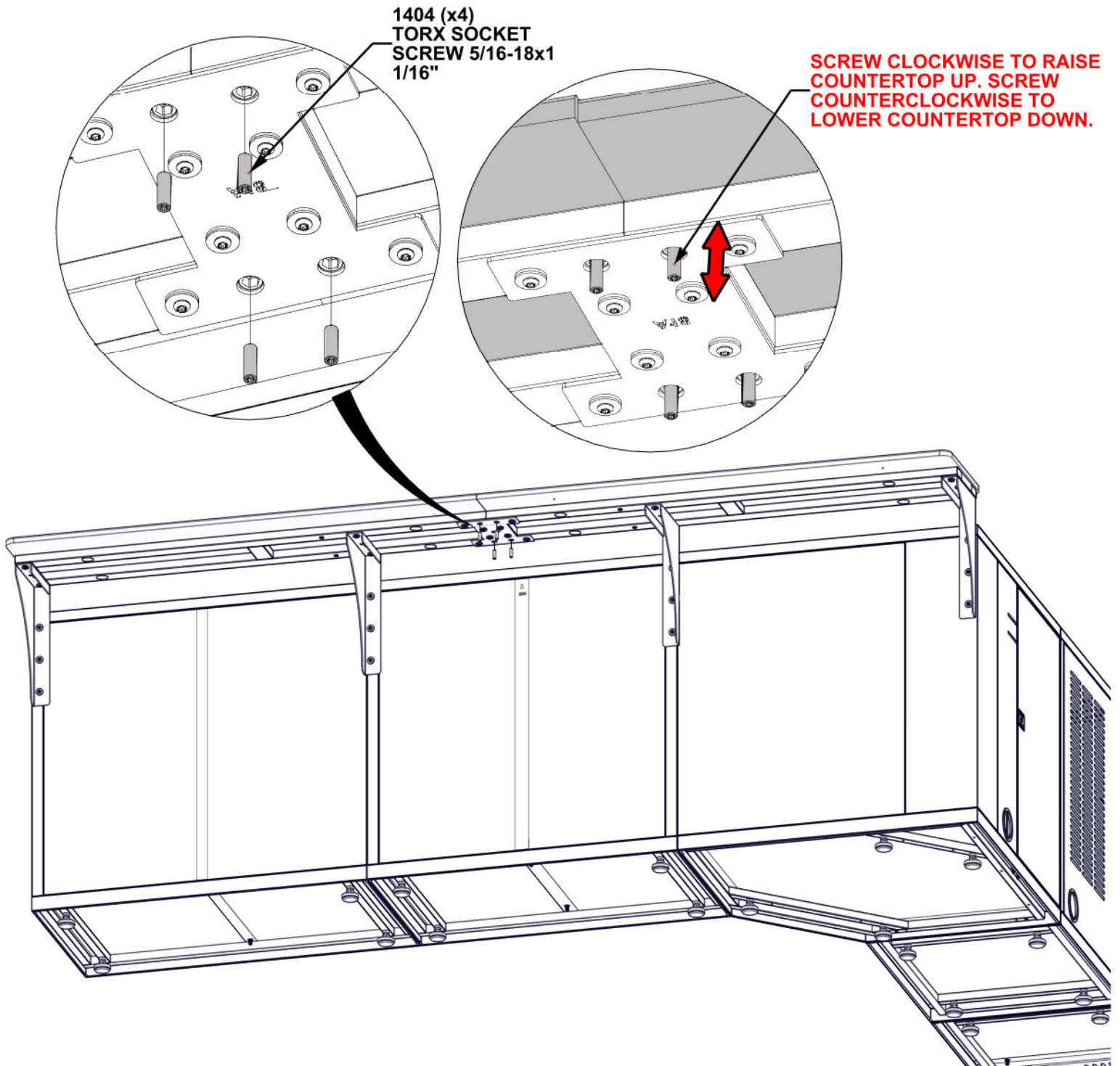
- IT IS RECOMMENDED TO HAVE AT LEAST TWO PEOPLE SET COUNTERTOP IN PLACE.
- SLIDE IN PLACE UNTIL HOLES IN COUNTERTOP ALIGN WITH THE HOLES IN SUPPORT FRAME.
- **WHEN SETTING COUNTERTOP IN PLACE, MAKE SURE YOUR FINGERS ARE CLEAR AND NOT UNDERNEATH COUNTERTOP.**



# STEP 48B - BAR TABLE COUNTERTOP ADJUSTMENT (AS NEEDED)

Qty	PartNo	Description
4	H101404	TORX SOCKET SCREW 5/16-18x1 1/16"

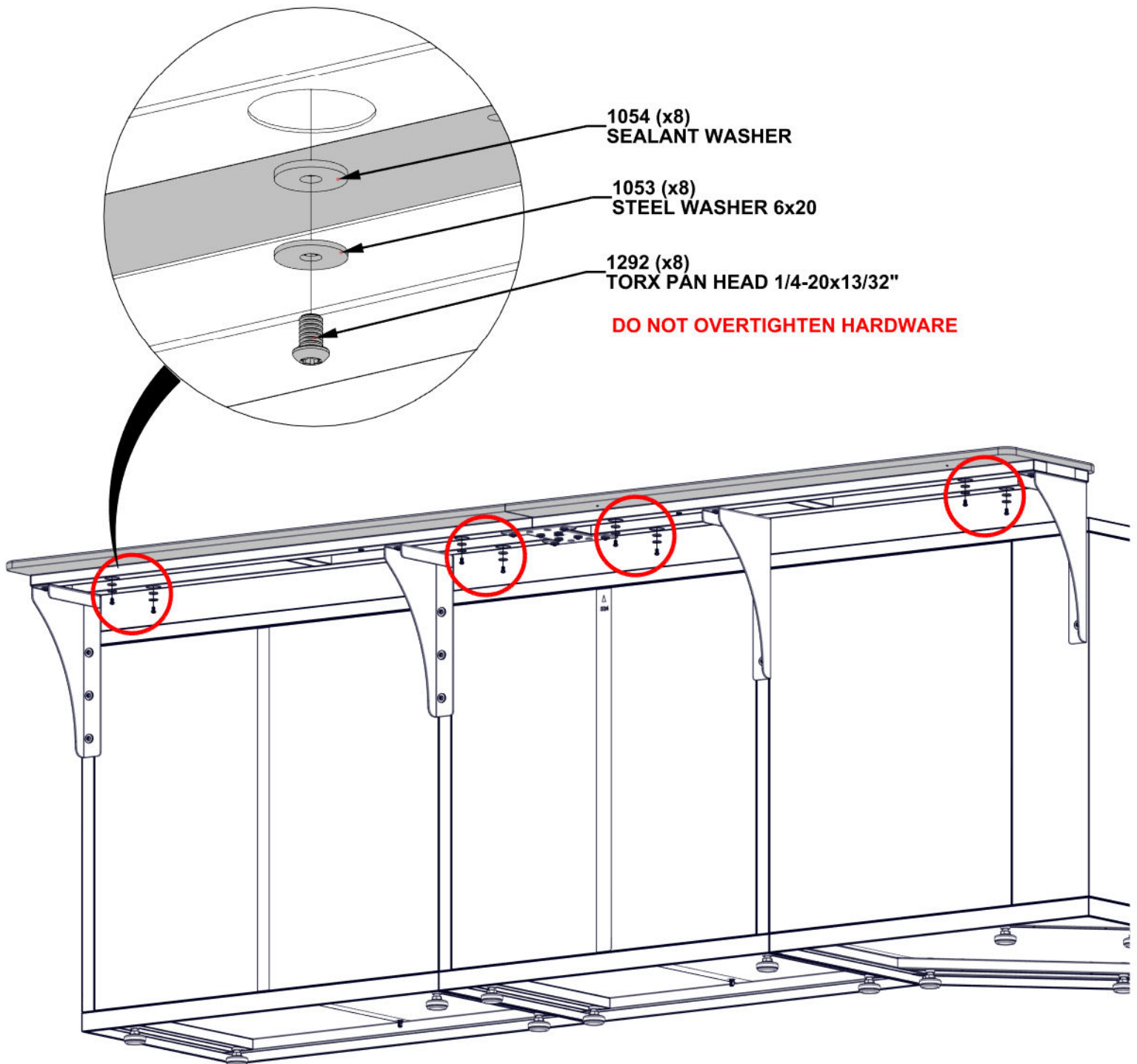
- LEVEL COUNTERTOP AS NEEDED BEFORE INSERTING HARDWARE.
- USE TORX SOCKET SCREWS TO FINE TUNE ADJUST THE COUNTERTOP SEAM UNTIL TOP SURFACES ARE FLUSH.



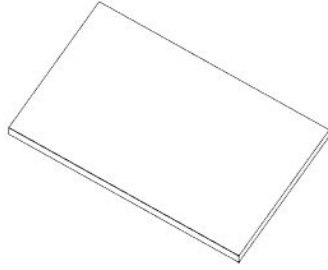
# STEP 48C - BAR TABLE COUNTERTOP INSTALLATION

Qty	PartNo	Description
8	H101292	TORX PAN HEAD 1/4-20x13/32"
8	H101053	STEEL WASHER 6x20
8	H101054	SEALANT WASHER

- MAKE SURE YOU ARE USING THE CORRECT HARDWARE FOR THIS STEP.
- ONCE COUNTERTOP IS IN PLACE, IT IS RECOMMENDED TO COVER WITH A PIECE OF CARDBOARD OR FOAM UNTIL ASSEMBLY IS FINISHED TO PREVENT DAMAGE.
- DO NOT USE COUNTERTOP SURFACE AS A WORK BENCH.

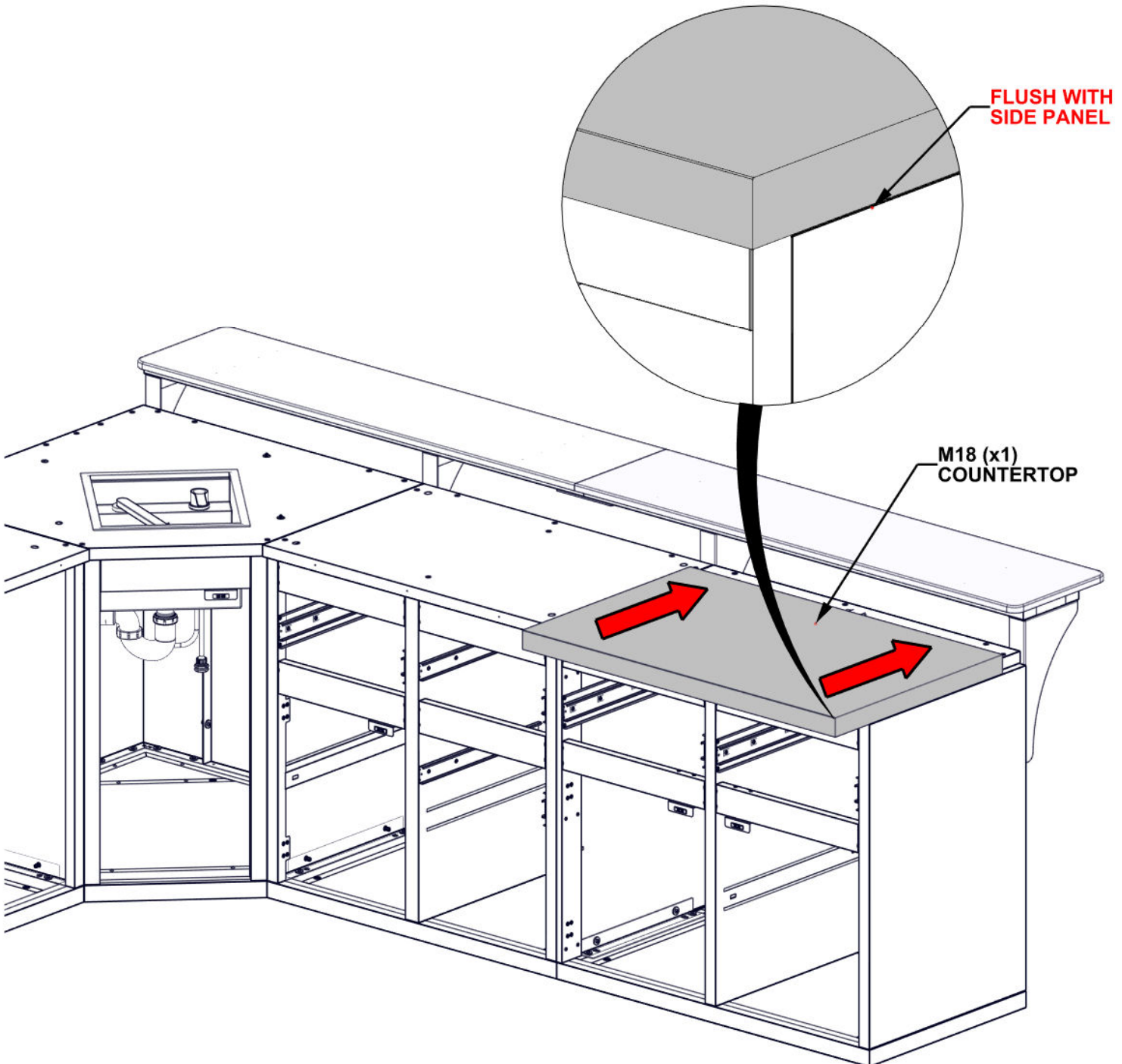


# STEP 49A - CABINET COUNTERTOP INSTALLATION



M18 COUNTERTOP - A4M05960  
(x1) 40 3/16"x24 15/16"x1 15/16" (50x634x1020)

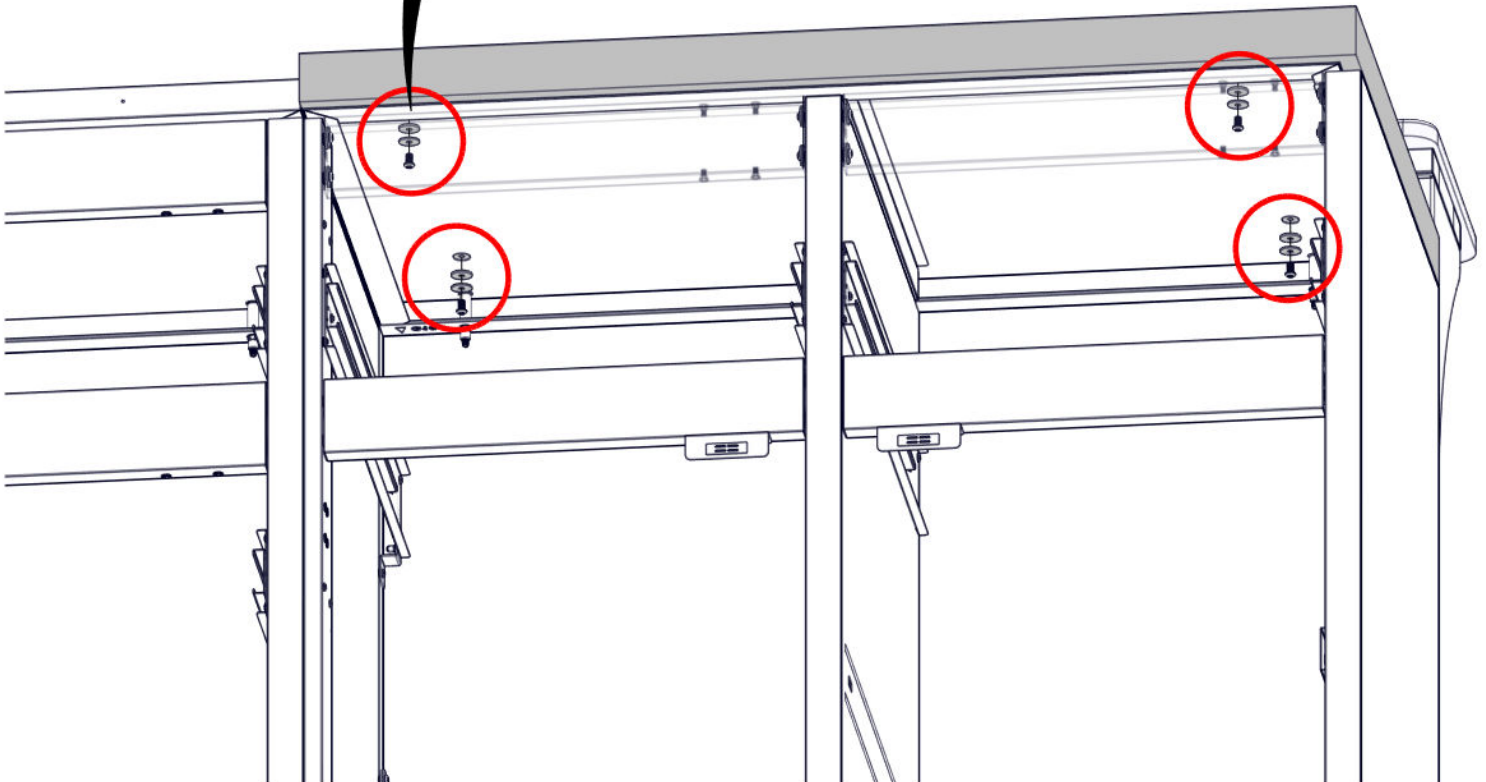
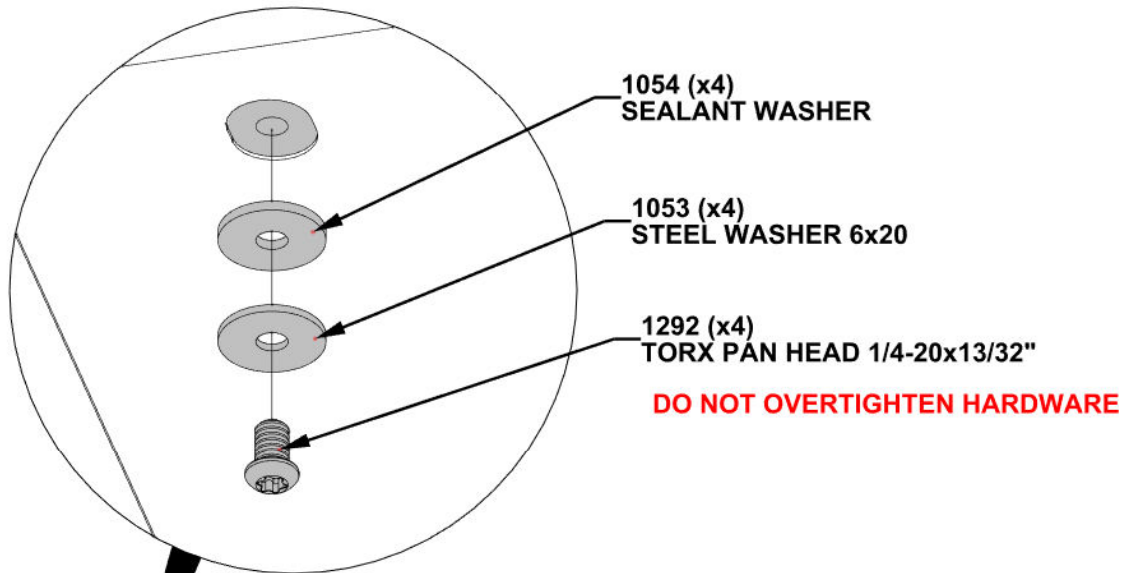
- IT IS RECOMMENDED TO HAVE AT LEAST TWO PEOPLE SET COUNTERTOP IN PLACE.
- SLIDE IN PLACE UNTIL HOLES IN COUNTERTOP ALIGN WITH THE HOLES IN SUPPORT FRAME.
- **WHEN SETTING COUNTERTOP IN PLACE, MAKE SURE YOUR FINGERS ARE CLEAR AND NOT UNDERNEATH COUNTERTOP.**



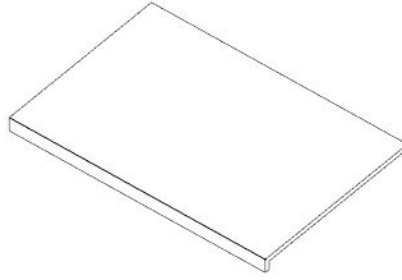
# STEP 49B - CABINET COUNTERTOP INSTALLATION

Qty	PartNo	Description
4	H101292	TORX PAN HEAD 1/4-20x13/32"
4	H101053	STEEL WASHER 6x20
4	H101054	SEALANT WASHER

- MAKE SURE YOU ARE USING THE CORRECT HARDWARE FOR THIS STEP.
- ONCE COUNTERTOP IS IN PLACE, IT IS RECOMMENDED TO COVER WITH A PIECE OF CARDBOARD OR FOAM UNTIL ASSEMBLY IS FINISHED TO PREVENT DAMAGE.
- DO NOT USE COUNTERTOP SURFACE AS A WORK BENCH.

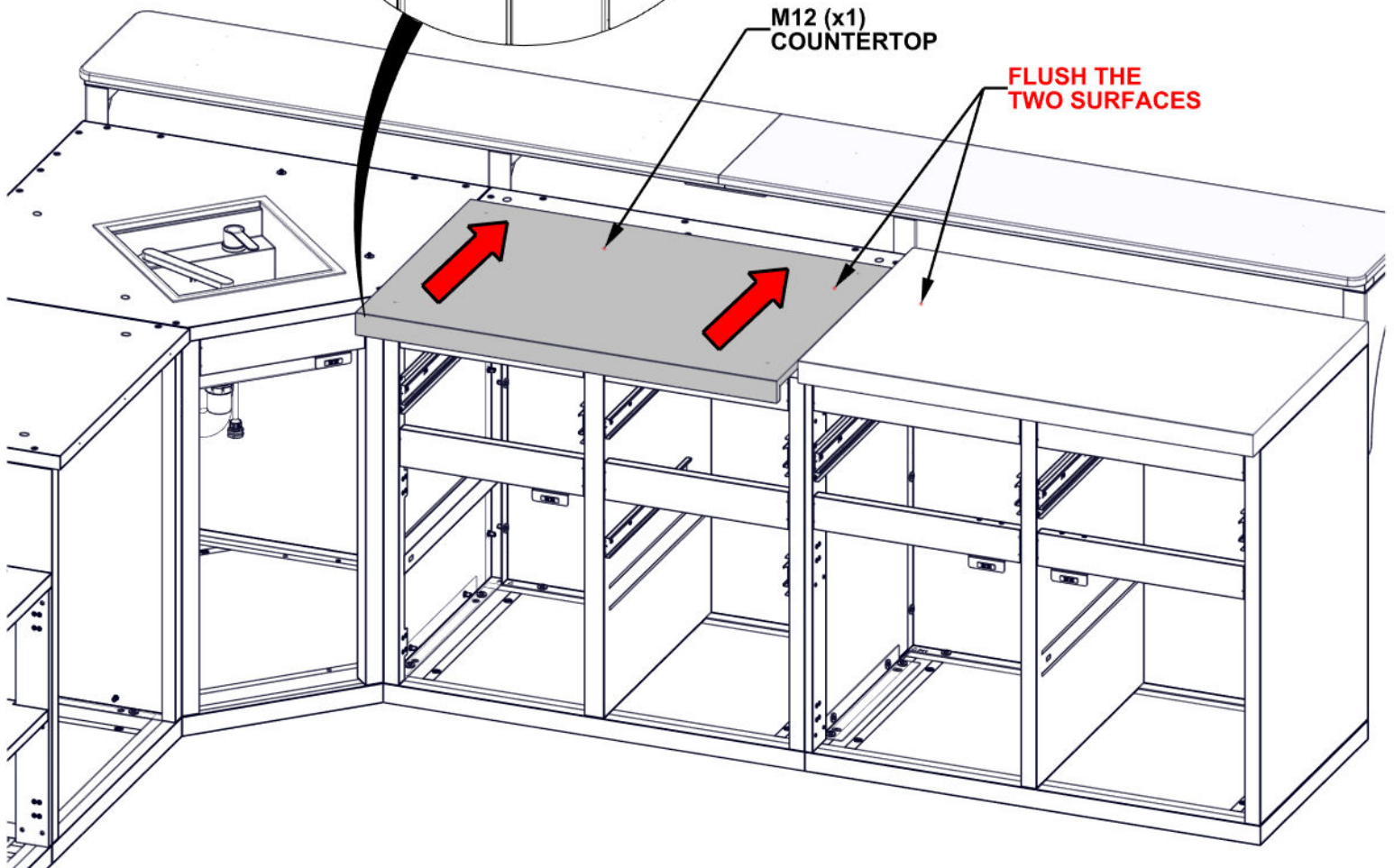
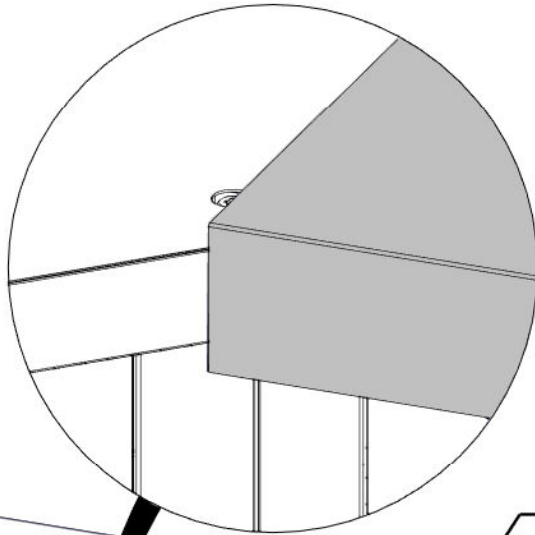


# STEP 50A - CABINET COUNTERTOP INSTALLATION



M12 COUNTERTOP - A4M05955  
(x1) 37 3/16"x24 15/16"x1 15/16" (50x634x944)

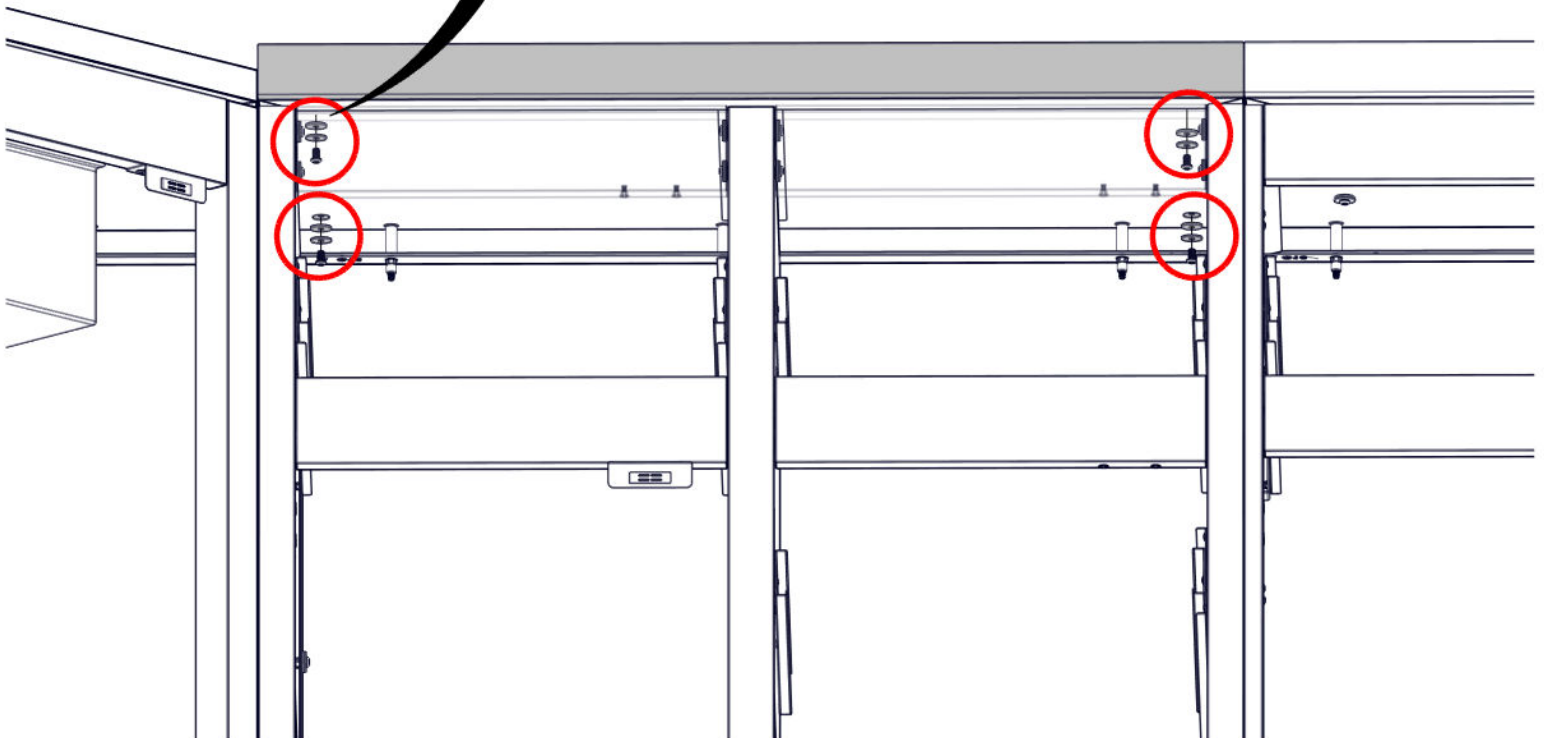
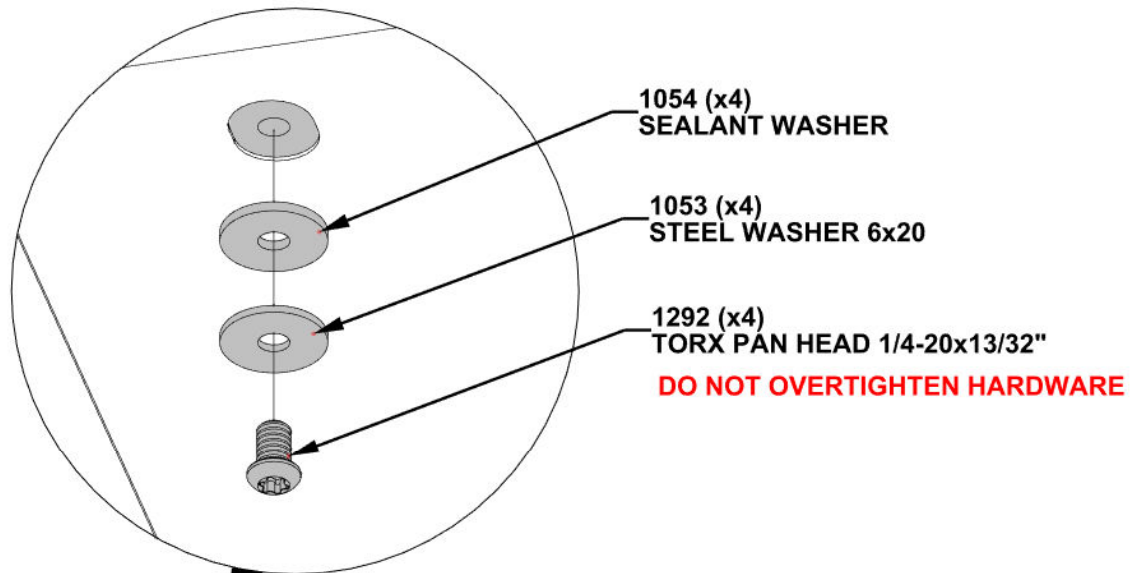
- IT IS RECOMMENDED TO HAVE AT LEAST TWO PEOPLE SET COUNTERTOP IN PLACE.
- SLIDE IN PLACE UNTIL HOLES IN COUNTERTOP ALIGN WITH THE HOLES IN SUPPORT FRAME.
- **WHEN SETTING COUNTERTOP IN PLACE, MAKE SURE YOUR FINGERS ARE CLEAR AND NOT UNDERNEATH COUNTERTOP.**



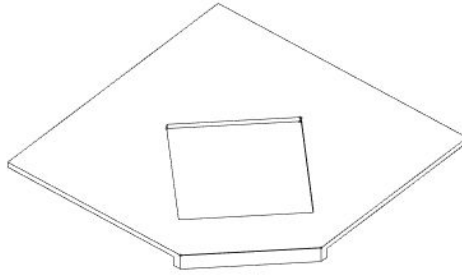
# STEP 50B - CABINET COUNTERTOP INSTALLATION

Qty	PartNo	Description
4	H101292	TORX PAN HEAD 1/4-20x13/32"
4	H101053	STEEL WASHER 6x20
4	H101054	SEALANT WASHER

- MAKE SURE YOU ARE USING THE CORRECT HARDWARE FOR THIS STEP.
- ONCE COUNTERTOP IS IN PLACE, IT IS RECOMMENDED TO COVER WITH A PIECE OF CARDBOARD OR FOAM UNTIL ASSEMBLY IS FINISHED TO PREVENT DAMAGE.
- DO NOT USE COUNTERTOP SURFACE AS A WORK BENCH.

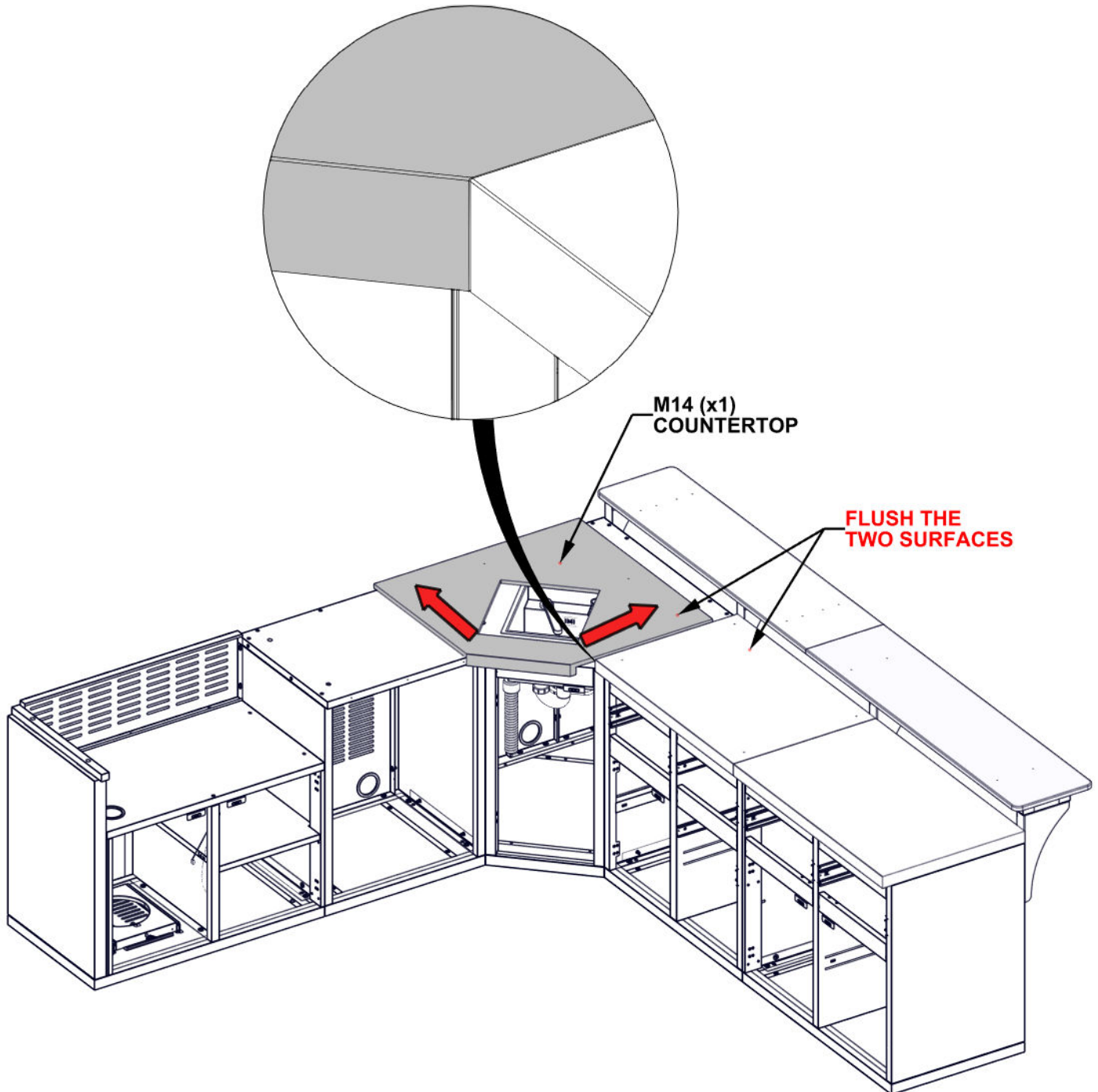


# STEP 51A - SINK CABINET COUNTERTOP INSTALLATION



M14 COUNTERTOP - A4M05954  
(x1) 36"x36"x1 15/16" (50x914x914)

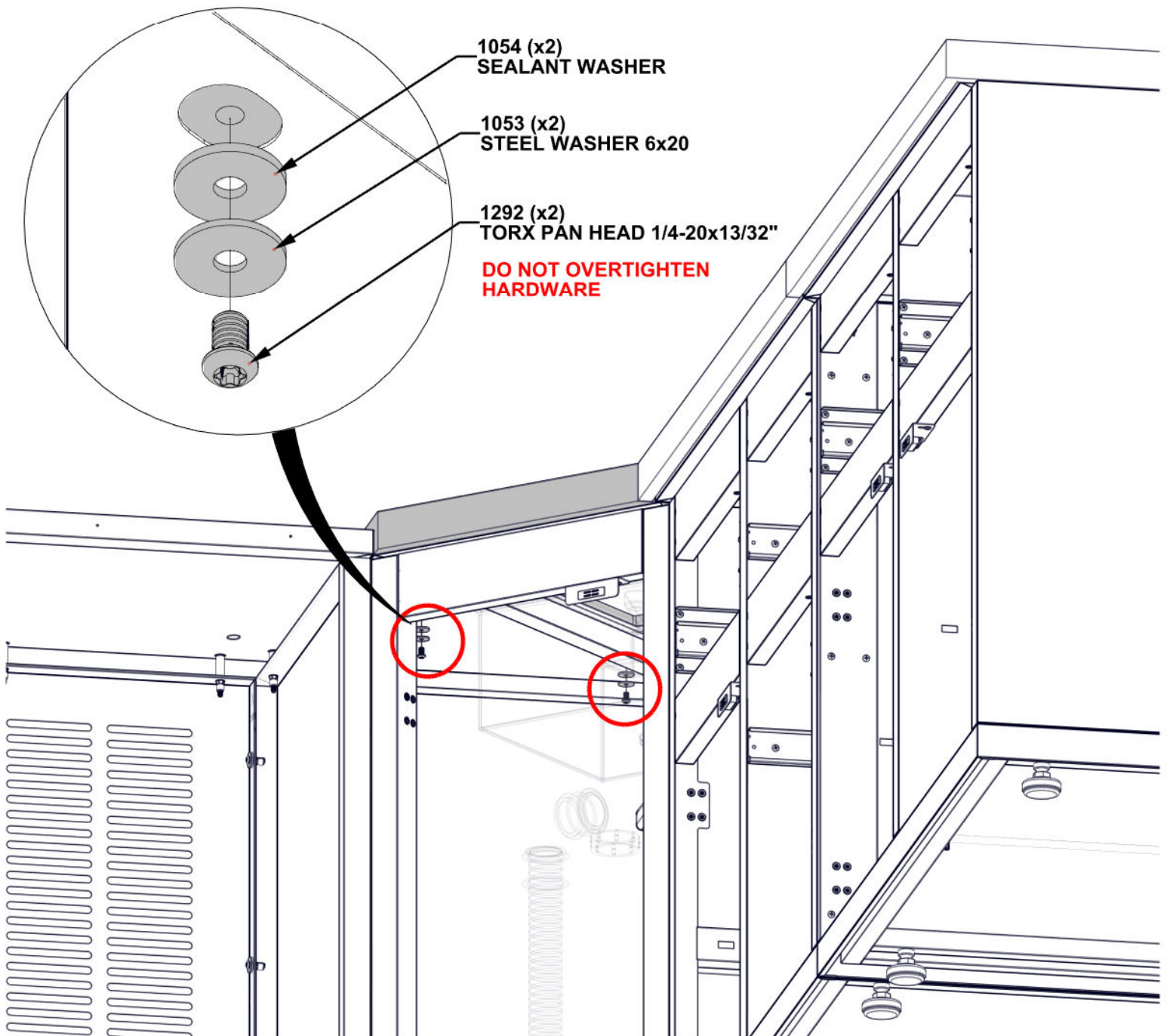
- IT IS RECOMMENDED TO HAVE AT LEAST TWO PEOPLE SET COUNTERTOP IN PLACE.
- SLIDE IN PLACE UNTIL HOLES IN COUNTERTOP ALIGN WITH THE HOLES IN SUPPORT FRAME.
- **WHEN SETTING COUNTERTOP IN PLACE, MAKE SURE YOUR FINGERS ARE CLEAR AND NOT UNDERNEATH COUNTERTOP.**



# STEP 51B - SINK CABINET COUNTERTOP INSTALLATION

Qty	PartNo	Description
2	H101292	TORX PAN HEAD 1/4-20x13/32"
2	H101053	STEEL WASHER 6x20
2	H101054	SEALANT WASHER

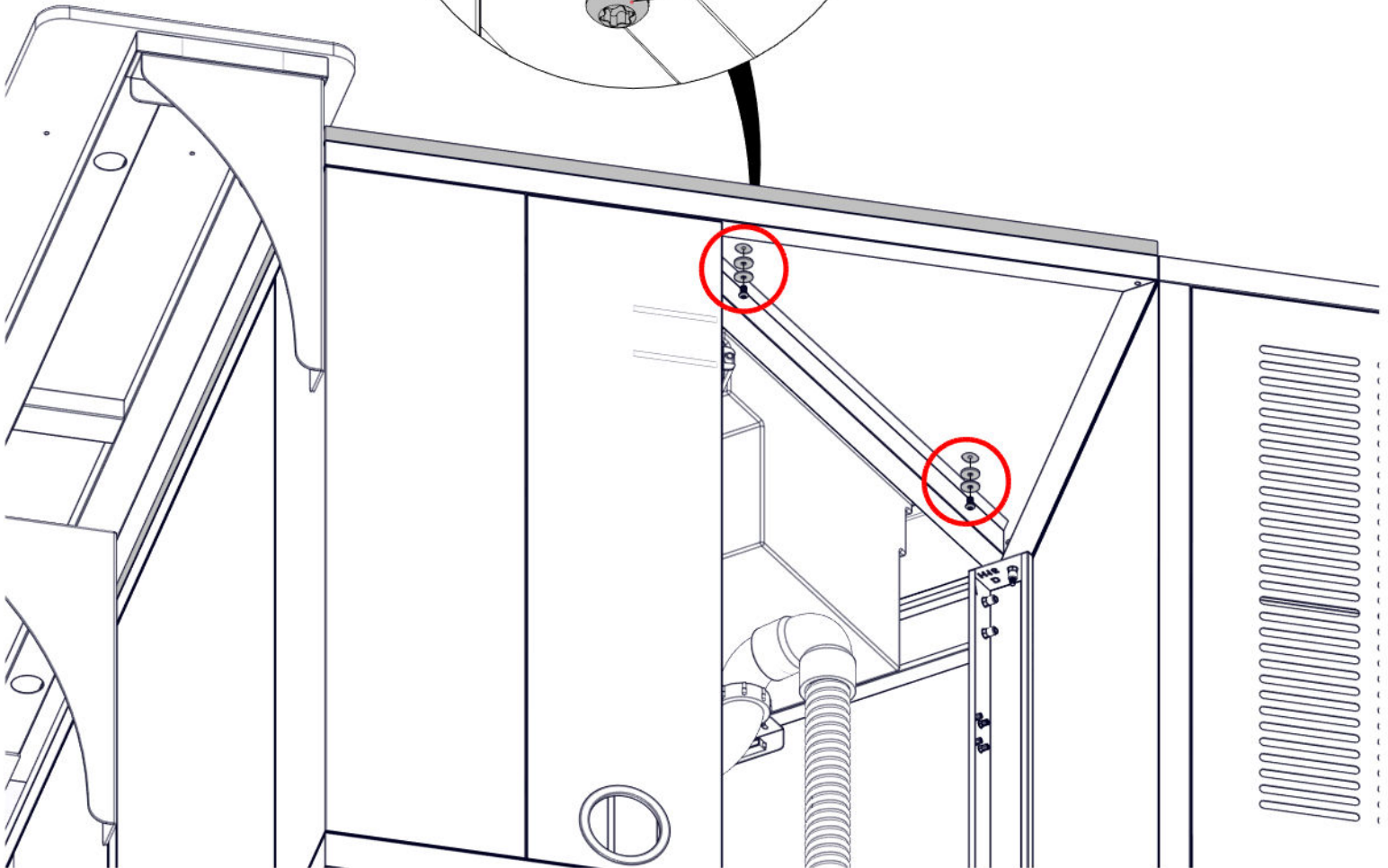
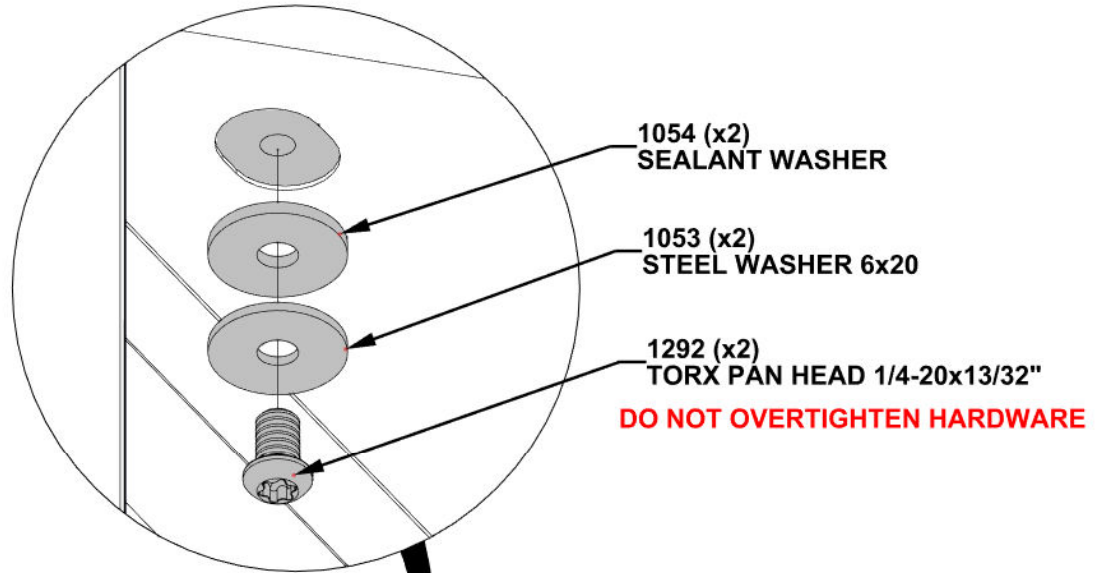
- IT IS RECOMMENDED TO USE THE 6" MAGNETIC DRIVER EXTENSION PROVIDED IN YOUR HARDWARE KIT FOR THIS STEP.
- MAKE SURE YOU ARE USING THE CORRECT HARDWARE FOR THIS STEP.
- ONCE COUNTERTOP IS IN PLACE, IT IS RECOMMENDED TO COVER WITH A PIECE OF CARDBOARD OR FOAM UNTIL ASSEMBLY IS FINISHED TO PREVENT DAMAGE.
- DO NOT USE COUNTERTOP SURFACE AS A WORK BENCH.



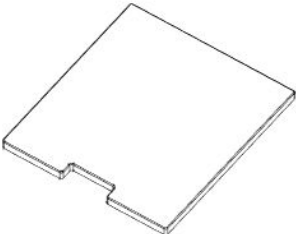
# STEP 51C - SINK CABINET COUNTERTOP INSTALLATION

Qty	PartNo	Description
2	H101292	TORX PAN HEAD 1/4-20x13/32"
2	H101053	STEEL WASHER 6x20
2	H101054	SEALANT WASHER

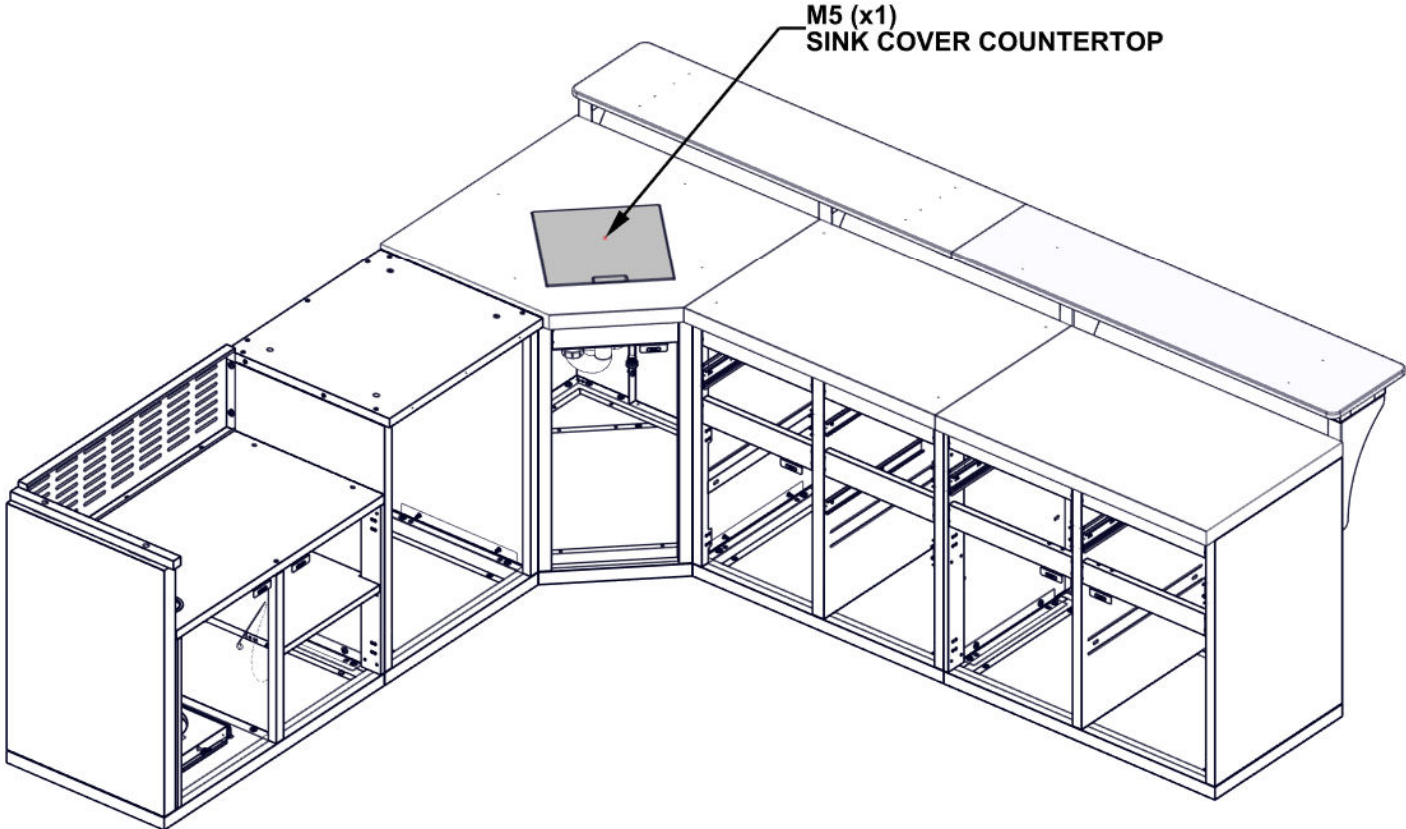
- MAKE SURE YOU ARE USING THE CORRECT HARDWARE FOR THIS STEP.
- ONCE COUNTERTOP IS IN PLACE, IT IS RECOMMENDED TO COVER WITH A PIECE OF CARDBOARD OR FOAM UNTIL ASSEMBLY IS FINISHED TO PREVENT DAMAGE.
- DO NOT USE COUNTERTOP SURFACE AS A WORK BENCH.



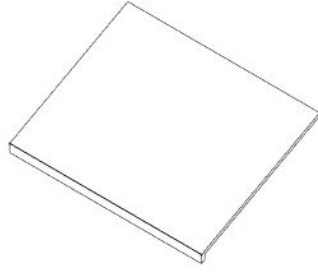
# STEP 52 - SINK CABINET COUNTERTOP INSTALLATION



**M5 SINK COVER COUNTERTOP - A4M05949**  
**(x1) 11/16"x14 3/4"x16 5/16" (18x375x415)**

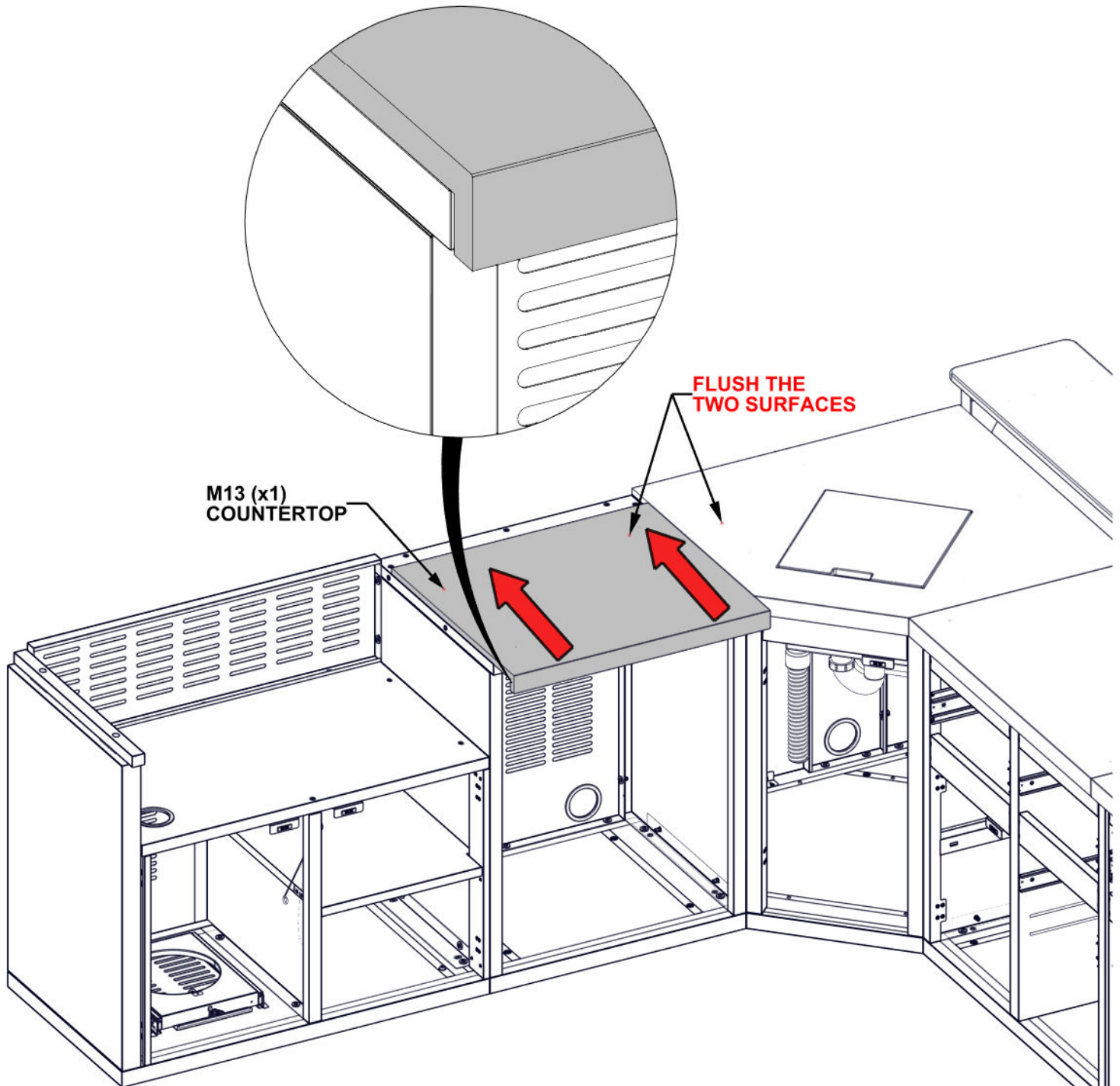


# STEP 53A - FRIDGE CABINET COUNTERTOP INSTALLATION



M13 COUNTERTOP - A4M05953  
(x1) 28 1/8"x24 15/16"x1 15/16" (50x634x715)

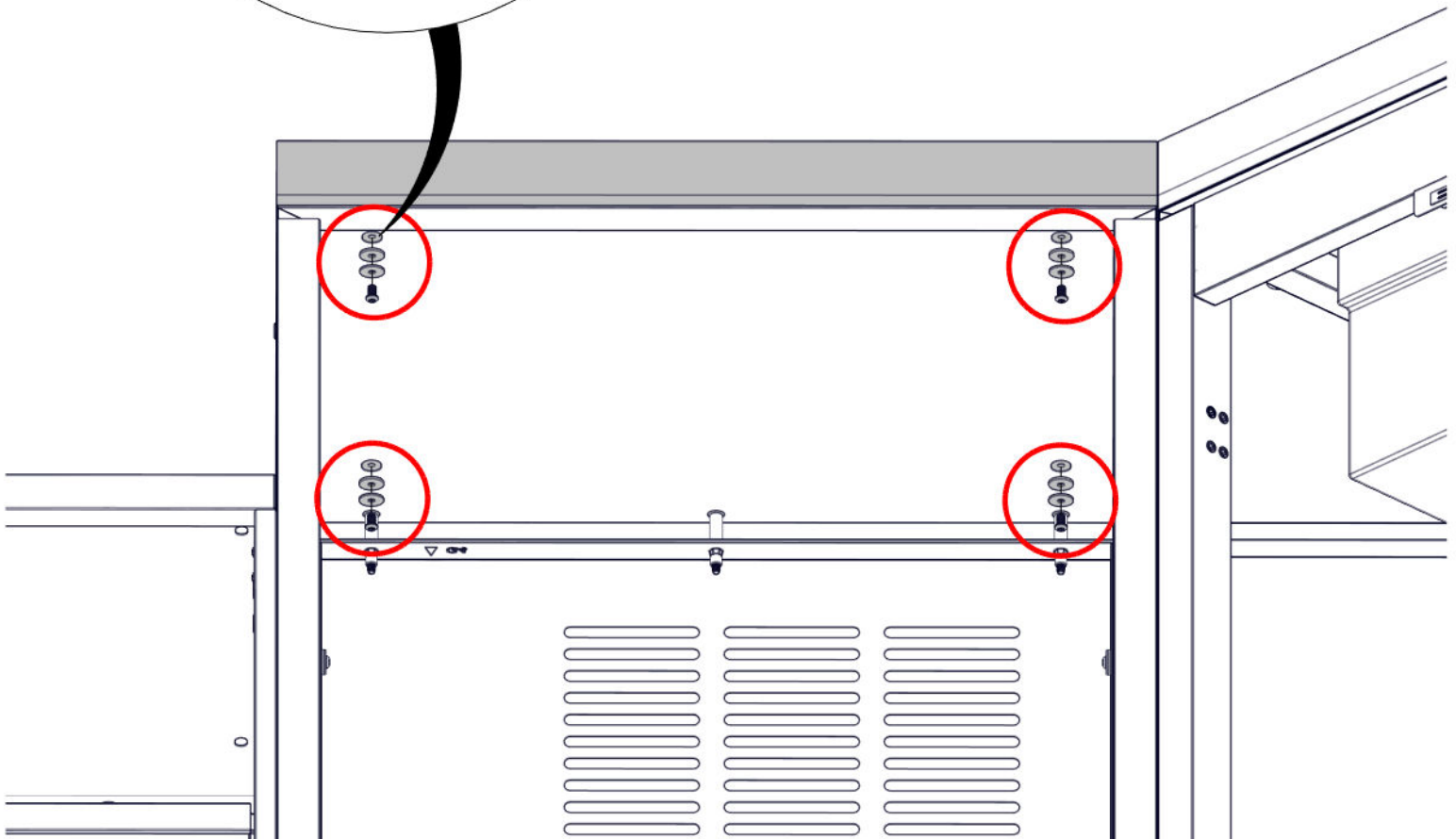
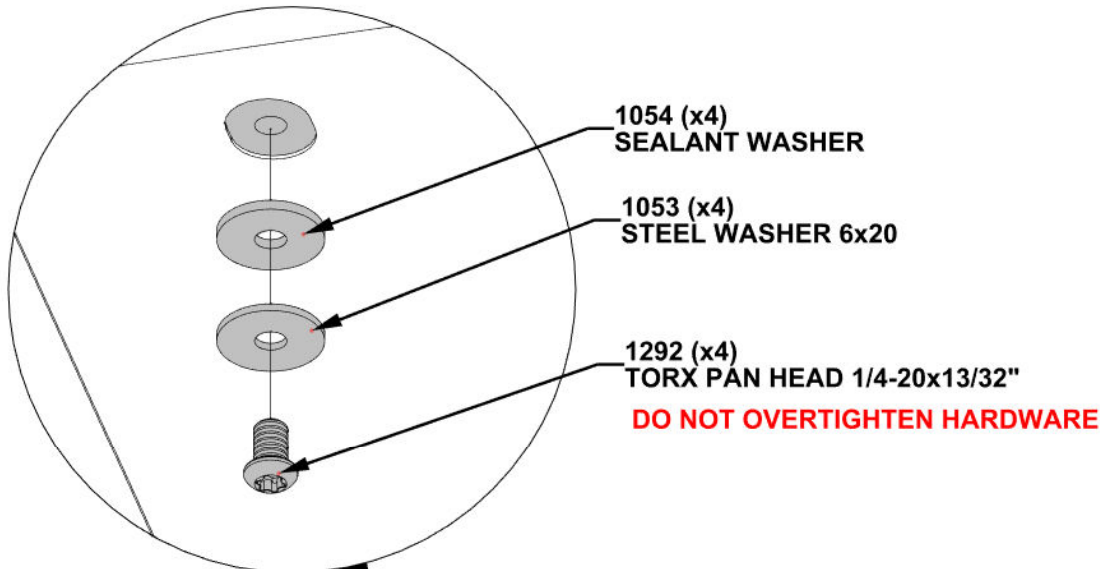
- IT IS RECOMMENDED TO HAVE AT LEAST TWO PEOPLE SET COUNTERTOP IN PLACE.
- SLIDE IN PLACE UNTIL HOLES IN COUNTERTOP ALIGN WITH THE HOLES IN SUPPORT FRAME.
- **WHEN SETTING COUNTERTOP IN PLACE, MAKE SURE YOUR FINGERS ARE CLEAR AND NOT UNDERNEATH COUNTERTOP.**



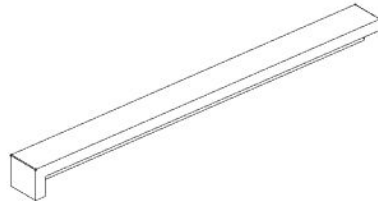
# STEP 53B - FRIDGE CABINET COUNTERTOP INSTALLATION

Qty	PartNo	Description
4	H101292	TORX PAN HEAD 1/4-20x13/32"
4	H101053	STEEL WASHER 6x20
4	H101054	SEALANT WASHER

- MAKE SURE YOU ARE USING THE CORRECT HARDWARE FOR THIS STEP.
- ONCE COUNTERTOP IS IN PLACE, IT IS RECOMMENDED TO COVER WITH A PIECE OF CARDBOARD OR FOAM UNTIL ASSEMBLY IS FINISHED TO PREVENT DAMAGE.
- DO NOT USE COUNTERTOP SURFACE AS A WORK BENCH.

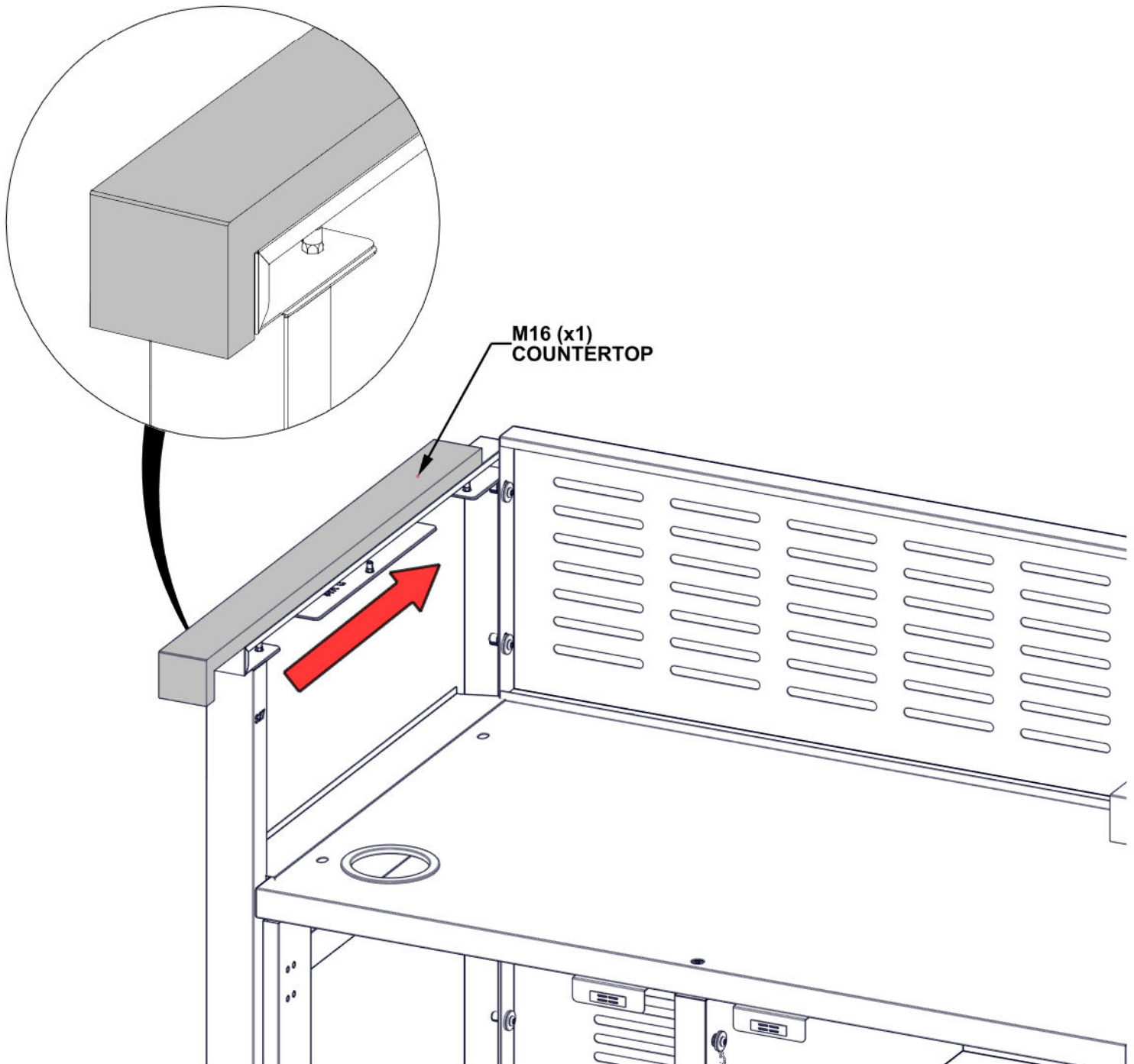


# STEP 54A - CABINET COUNTERTOP INSTALLATION



M16 COUNTERTOP - A4M05959  
(x1) 24 15/16"x2 1/16"x1 15/16" (50x53x634)

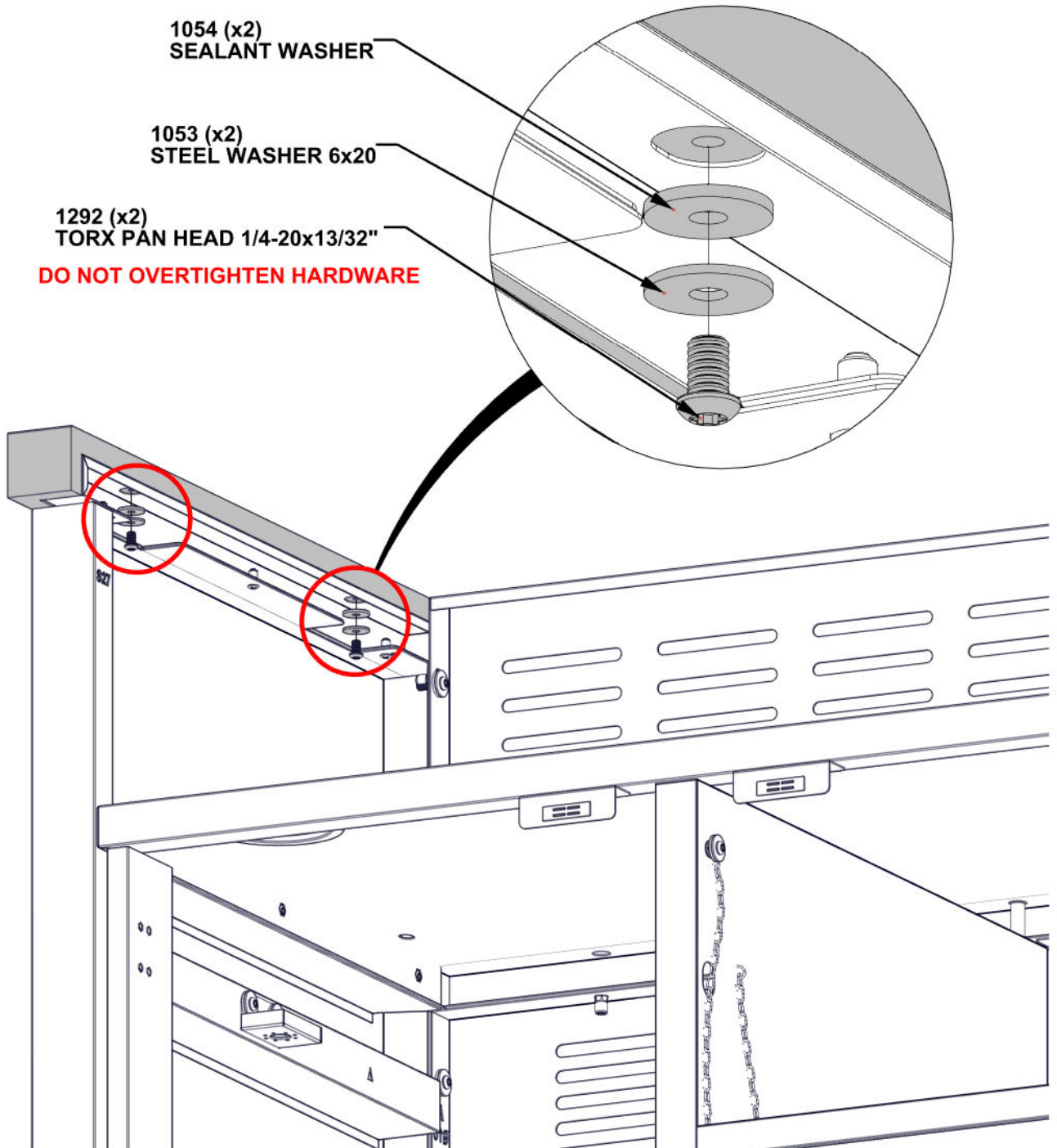
- IT IS RECOMMENDED TO HAVE AT LEAST TWO PEOPLE SET COUNTERTOP IN PLACE.
- SLIDE IN PLACE UNTIL HOLES IN COUNTERTOP ALIGN WITH THE HOLES IN SUPPORT FRAME.
- **WHEN SETTING COUNTERTOP IN PLACE, MAKE SURE YOUR FINGERS ARE CLEAR AND NOT UNDERNEATH COUNTERTOP.**



# STEP 54B - CABINET COUNTERTOP INSTALLATION

Qty	PartNo	Description
2	H101292	TORX PAN HEAD 1/4-20x13/32"
2	H101053	STEEL WASHER 6x20
2	H101054	SEALANT WASHER

- MAKE SURE YOU ARE USING THE CORRECT HARDWARE FOR THIS STEP.
- ONCE COUNTERTOP IS IN PLACE, IT IS RECOMMENDED TO COVER WITH A PIECE OF CARDBOARD OR FOAM UNTIL ASSEMBLY IS FINISHED TO PREVENT DAMAGE.
- DO NOT USE COUNTERTOP SURFACE AS A WORK BENCH.

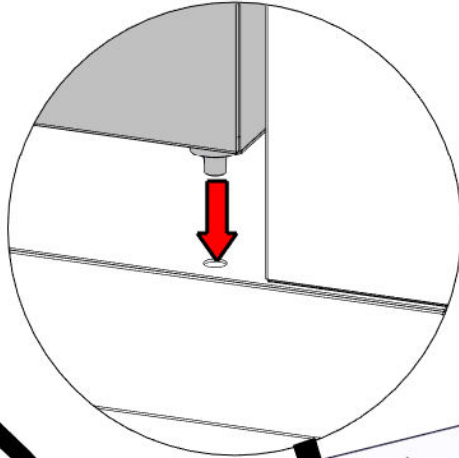
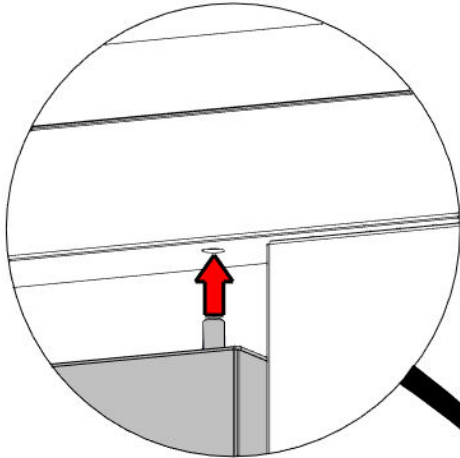


# STEP 55 - SINK CABINET DOOR INSTALLATION

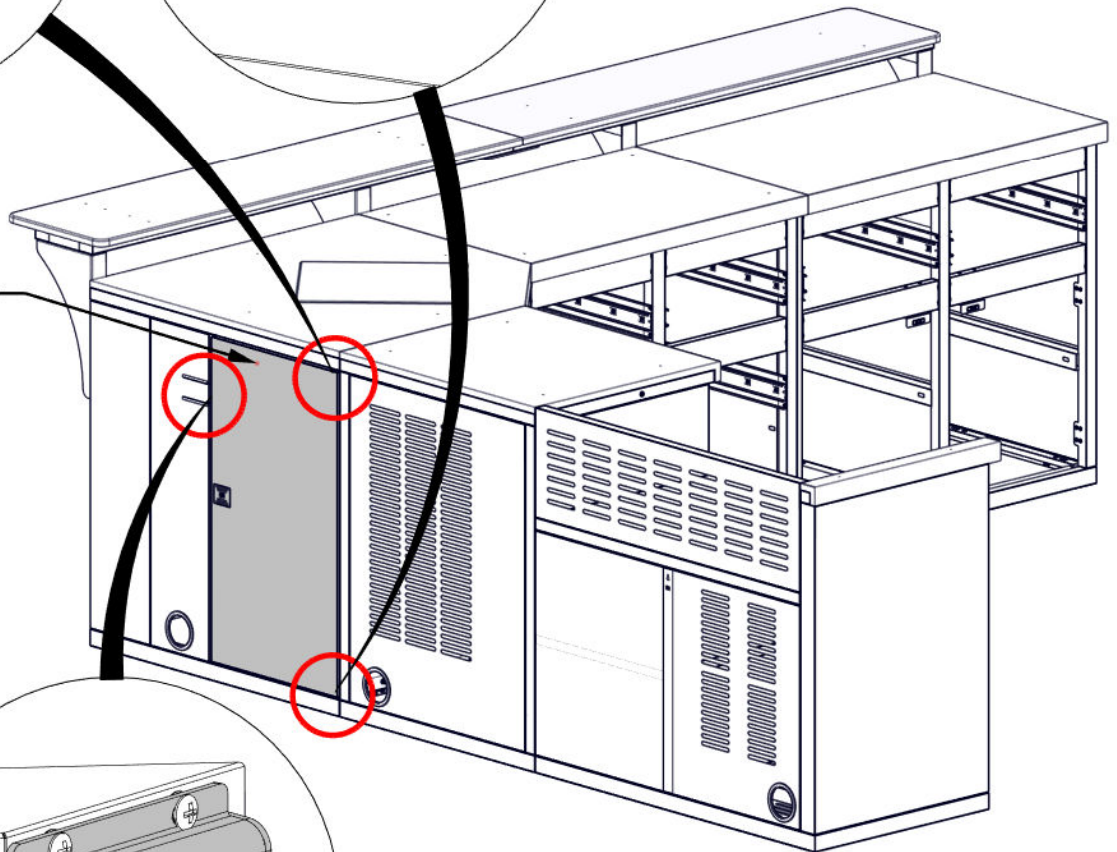


D17 CABINET DOOR ASSEMBLY - A4M03682  
(x1) 33 7/8"x18 1/4"x15/16" (23.20x463x860.40)

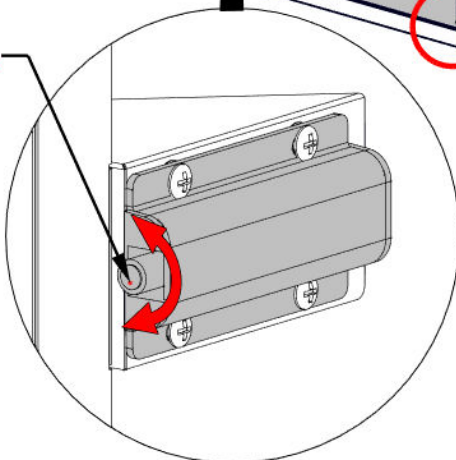
- INSERT HINGE PIN ON BOTTOM DOOR INTO THE HOLE ON FLOOR PANEL.
- PRESS DOWN HINGE PIN ON TOP DOOR INTO THE HOLE ON TOPTABLE ASSEMBLY.



D17 (x1)  
CABINET DOOR  
ASSEMBLY

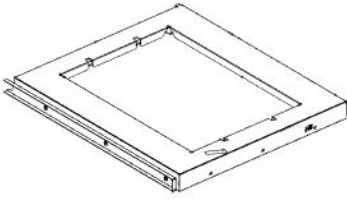


**ADJUST DOOR  
STOPPER TO  
KEEP D17 LEVEL  
WITH TWO SINK  
BACK PANELS.**



# STEP 56A - TRASH CAN ASSEMBLY

Qty	PartNo	Description
6	H101289	PAN HEAD SCREW 8-32x1/2" SS

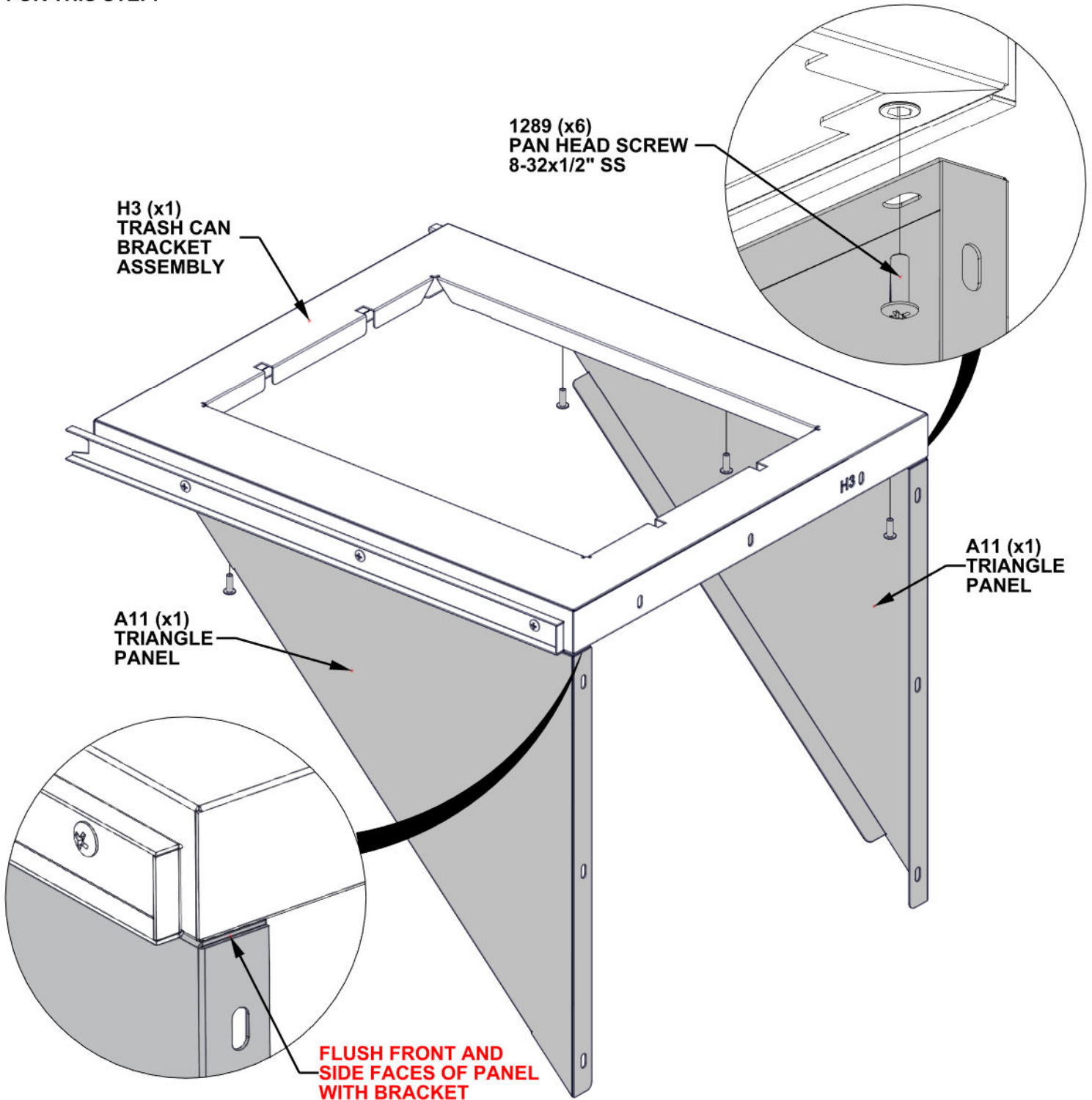


**H3 TRASH CAN BRACKET ASSEMBLY - A4M03610**  
 (x1) 18 1/16"x15 13/16"x1 3/8" (35x401x458)



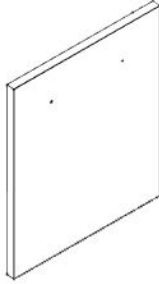
**A11 TRIANGLE PANEL - A4M03086**  
 (x2) 13/16"x13 3/4"x13 3/4" (20x350x350)

- IT IS RECOMMENDED TO USE THE 6" MAGNETIC DRIVER EXTENSION PROVIDED IN YOUR HARDWARE KIT FOR THIS STEP.



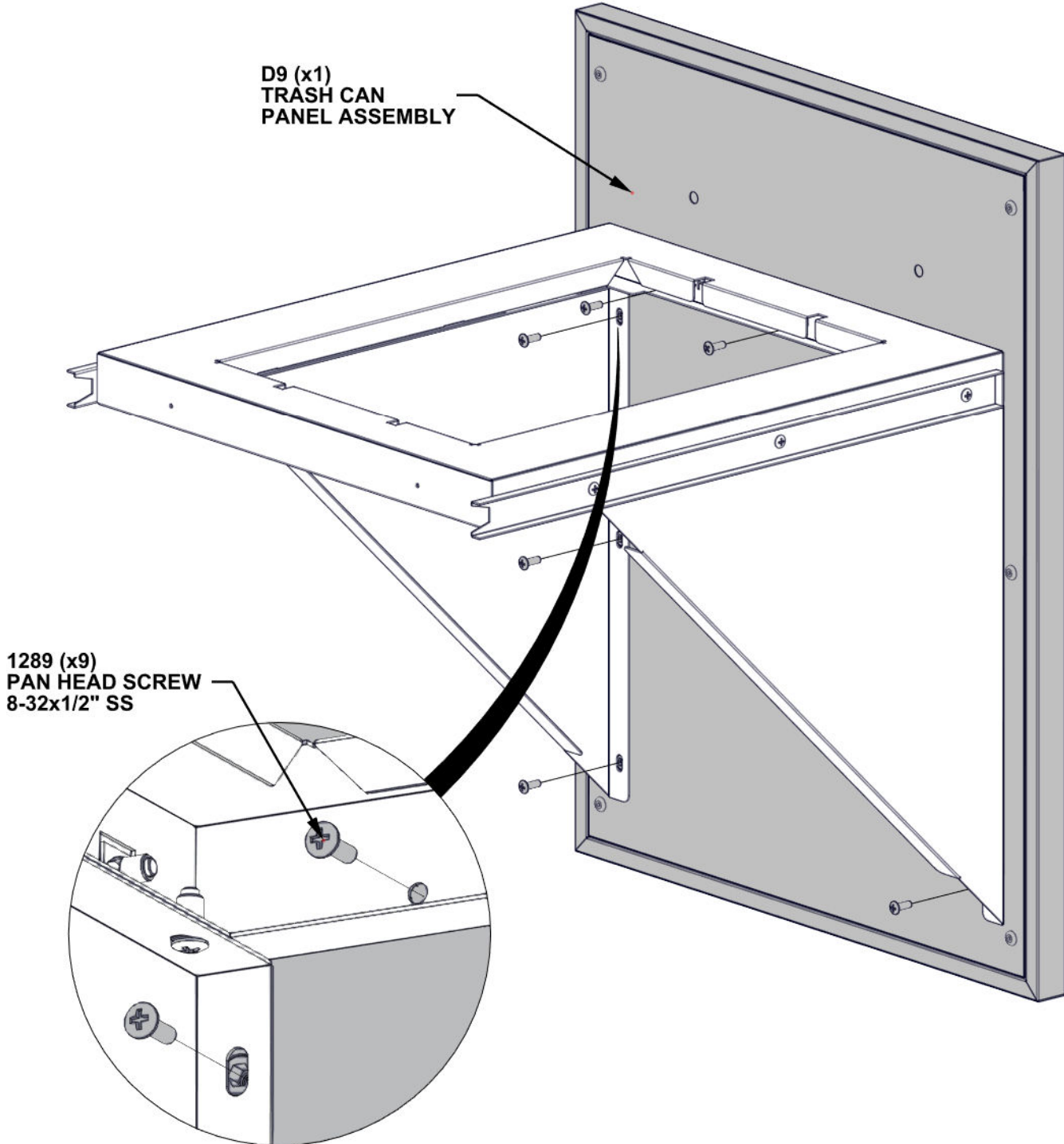
# STEP 56B - TRASH CAN ASSEMBLY

Qty	PartNo	Description
9	H101289	PAN HEAD SCREW 8-32x1/2" SS



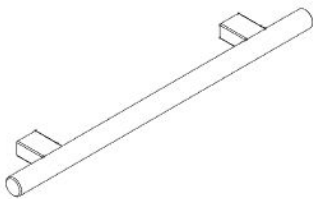
D9 TRASH CAN PANEL ASSEMBLY - A4M03608  
(x1) 22 1/4"x17 3/4"x15/16" (24x451x565)

- IT IS RECOMMENDED TO USE THE 6" MAGNETIC DRIVER EXTENSION PROVIDED IN YOUR HARDWARE KIT FOR THIS STEP.

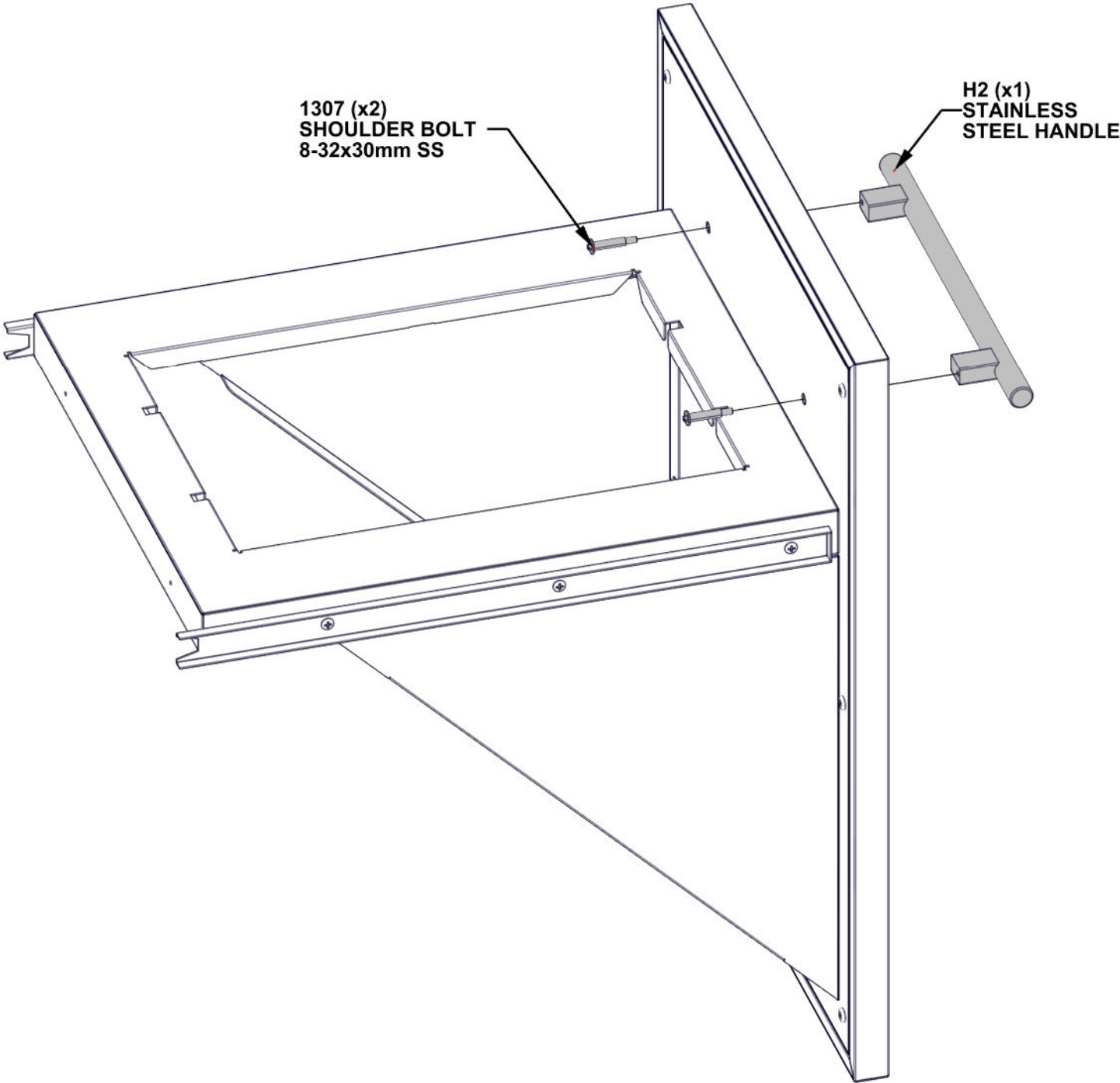


# STEP 56C - TRASH CAN ASSEMBLY

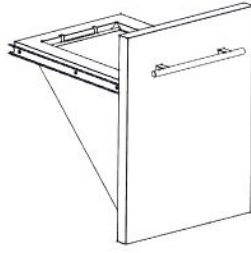
Qty	PartNo	Description
2	H101307	SHOULDER BOLT 8-32x30mm SS



**H2 STAINLESS STEEL HANDLE - A4M03024**  
**(x1) 5/8"x1 9/16"x11 13/16" (16x40x300)**

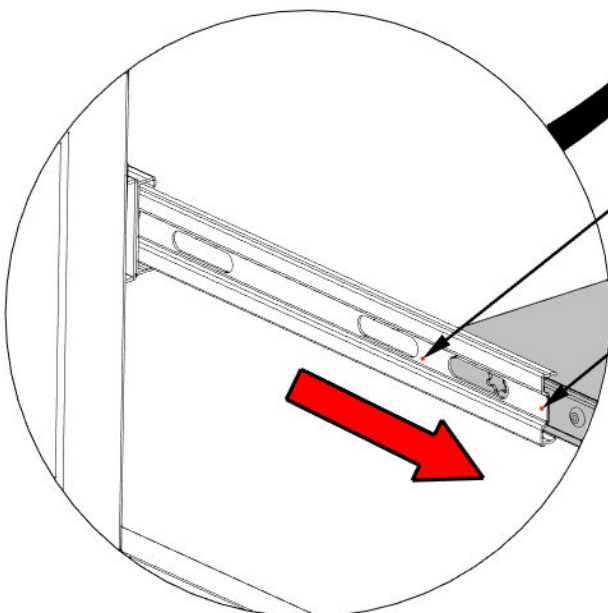
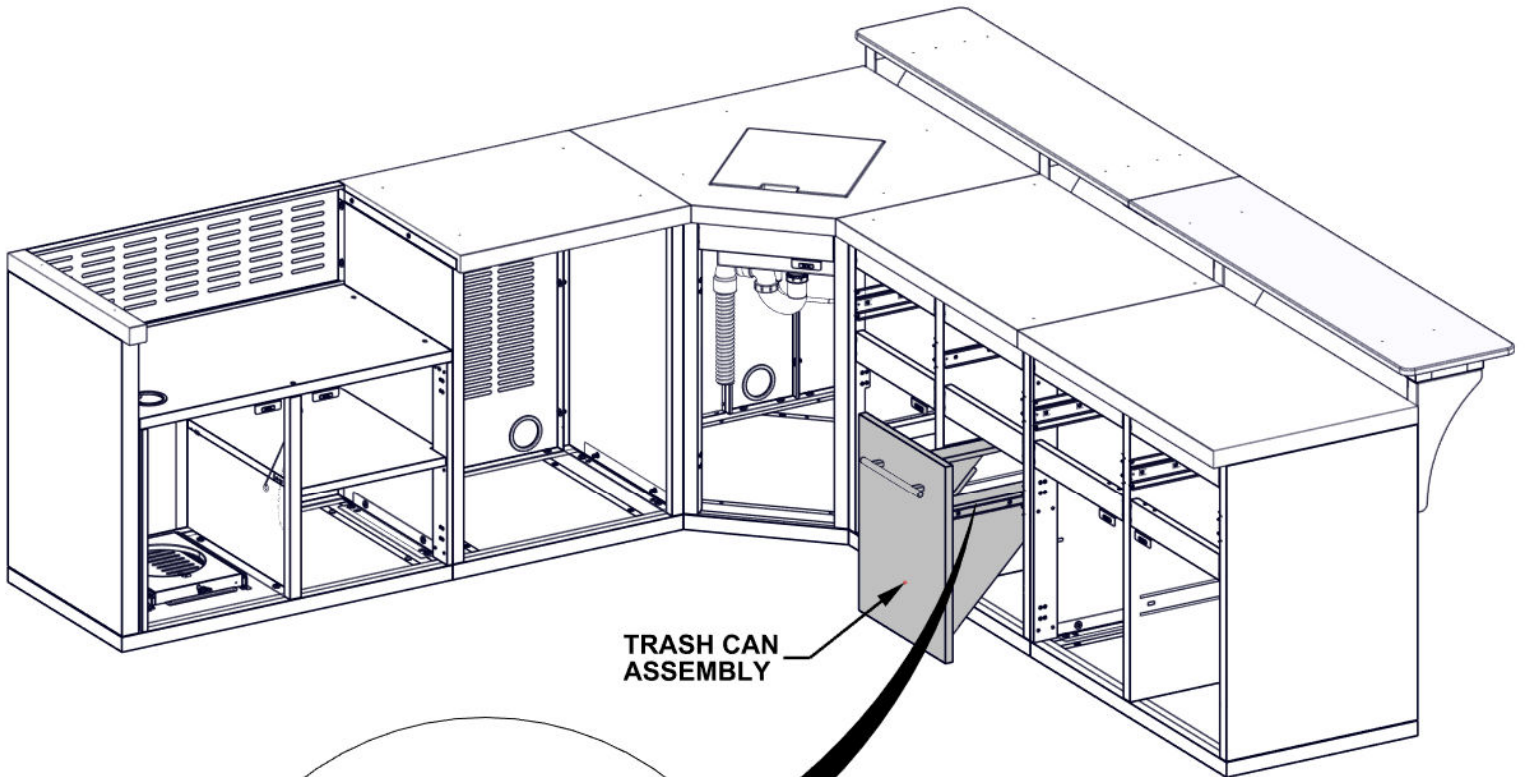


# STEP 57 - TRASH CAN INSTALLATION



TRASH CAN ASSEMBLY STEPS FROM 56A -56C

- ATTACH TRASH CAN ASSEMBLY BY ALIGNING BOTH ENDS OF FACTORY ASSEMBLED DRAWER SLIDES WITH ONE ANOTHER.
- PRESS TOGETHER UNTIL DRAWER SLIDES CONNECT.

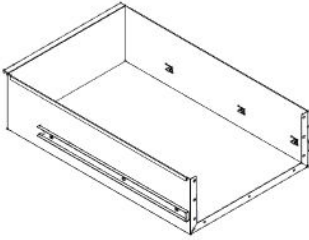


SLIDE INNER RACE  
OF DRAWER SLIDE OUT  
BEFORE ATTACHING SLIDES

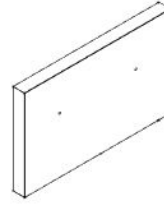
ALIGN DRAWER SLIDES  
ON BOTH SIDES OF  
TRASH CAN HOLDER

# STEP 58A - DRAWER ASSEMBLY

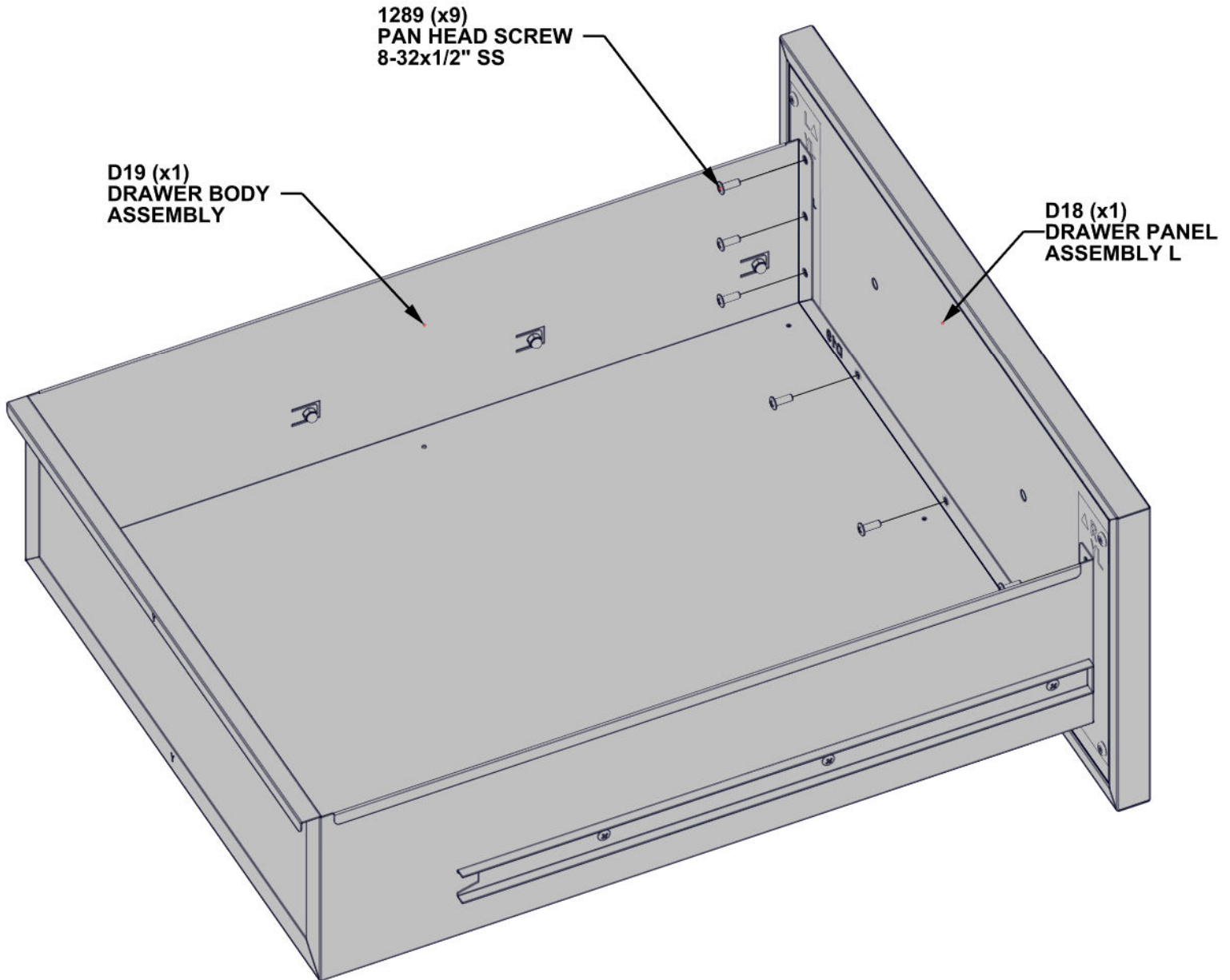
Qty	PartNo	Description
9	H101289	PAN HEAD SCREW 8-32x1/2" SS



**D19 DRAWER BODY ASSEMBLY - A4M03698**  
 (x1) 22 1/4"x17 3/4"x5 3/4" (145x450x565)

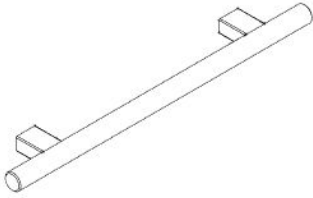


**D18 DRAWER PANEL ASSEMBLY L - A4M03696**  
 (x1) 19 9/16"x10 1/4"x15/16" (24x260x498)



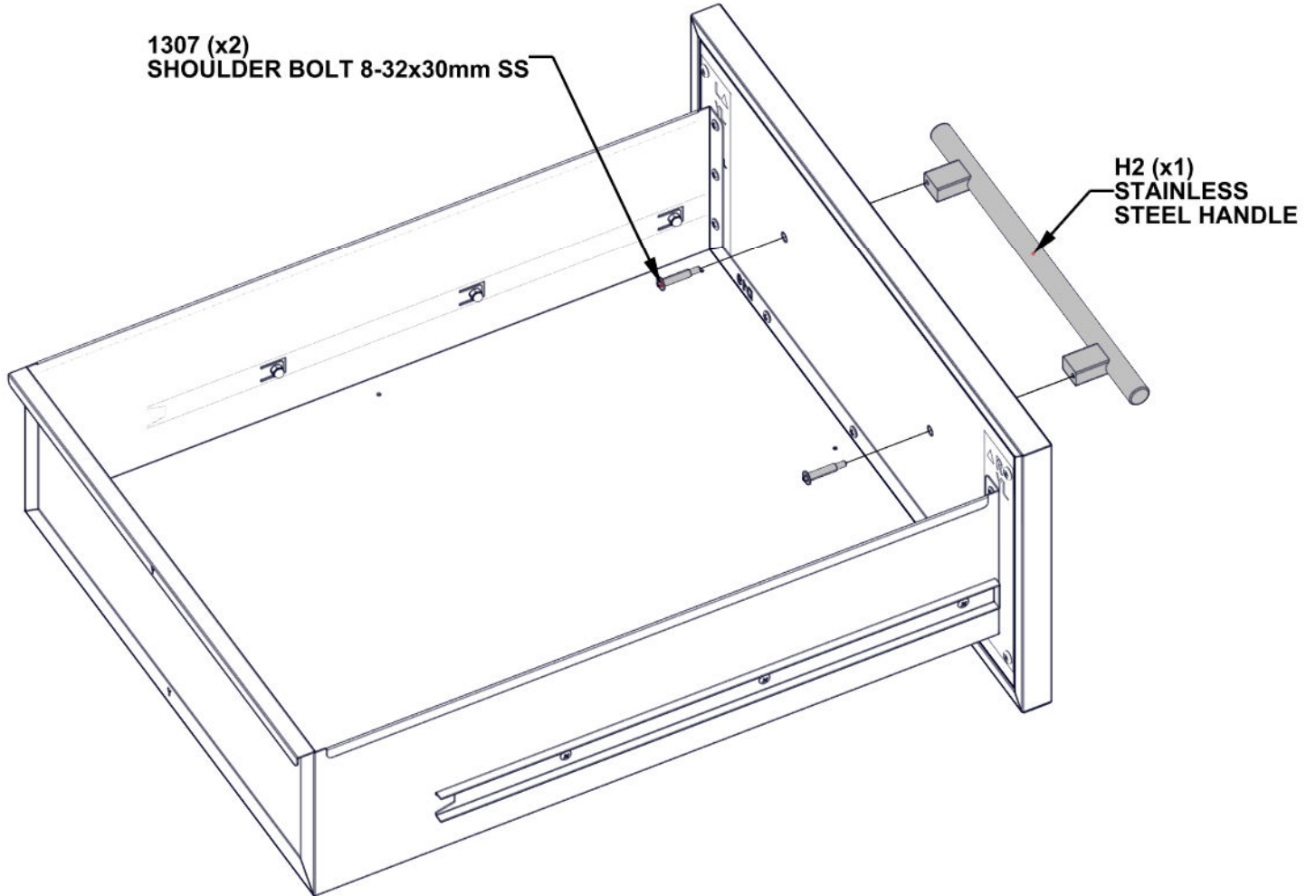
# STEP 58B - DRAWER ASSEMBLY

Qty	PartNo	Description
2	H101307	SHOULDER BOLT 8-32x30mm SS



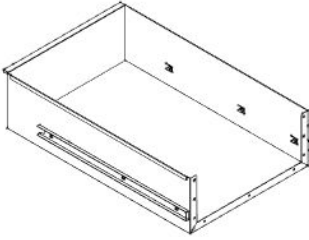
H2 STAINLESS STEEL HANDLE - A4M03024  
(x1) 5/8"x1 9/16"x11 13/16" (16x40x300)

- INSTALL DRAWER HANDLE TO DRAWER.

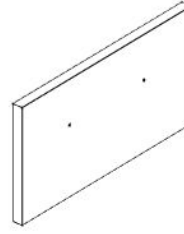


# STEP 59A - DRAWER ASSEMBLY

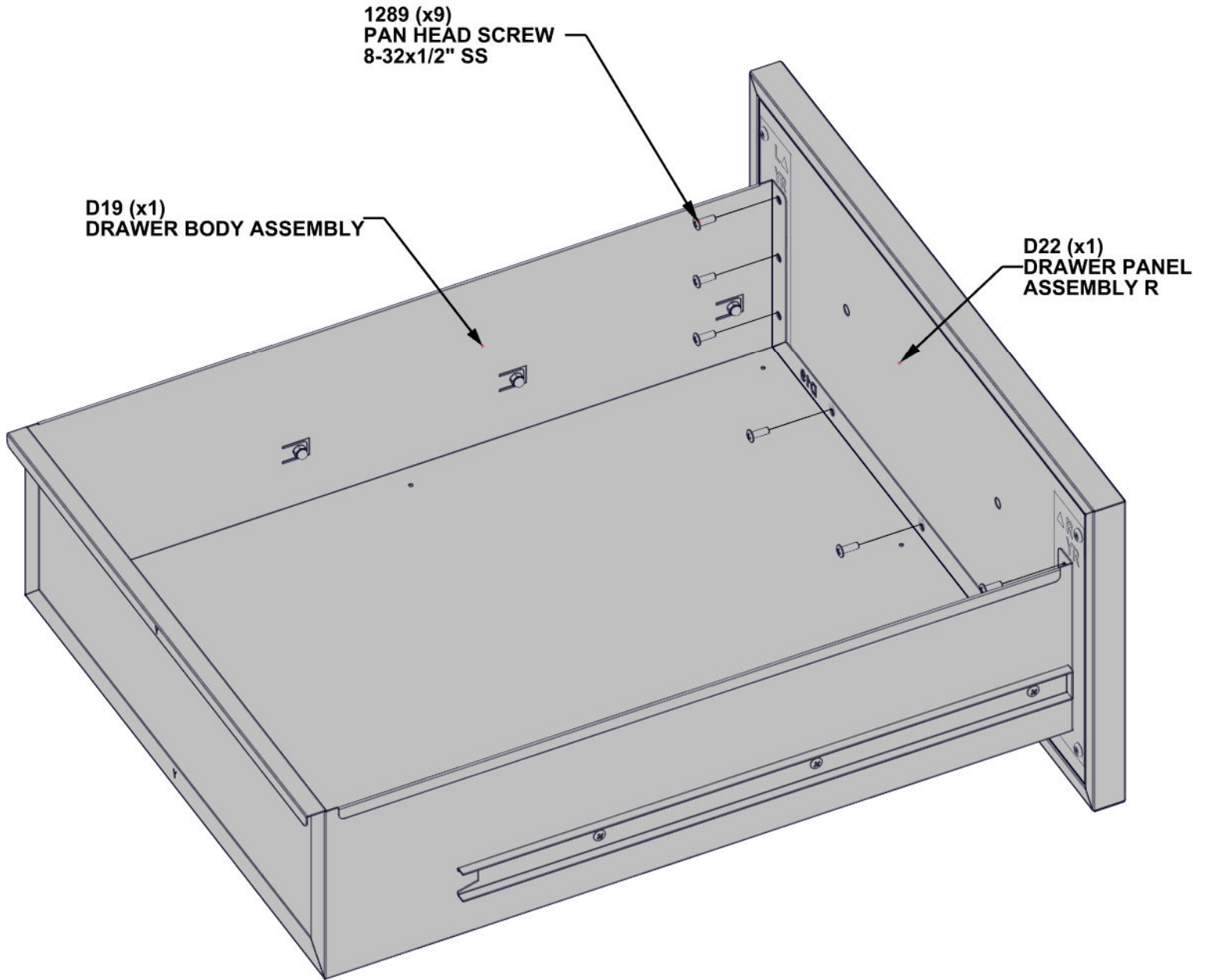
Qty	PartNo	Description
9	H101289	PAN HEAD SCREW 8-32x1/2" SS



**D19 DRAWER BODY ASSEMBLY - A4M03698**  
 (x1) 22 1/4"x17 3/4"x5 3/4" (145x450x565)

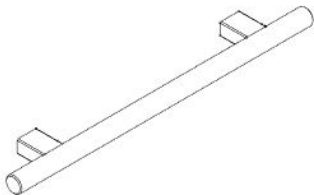


**D22 DRAWER PANEL ASSEMBLY R - A4M03706**  
 (x1) 19 9/16"x10 1/4"x15/16" (24x260x498)



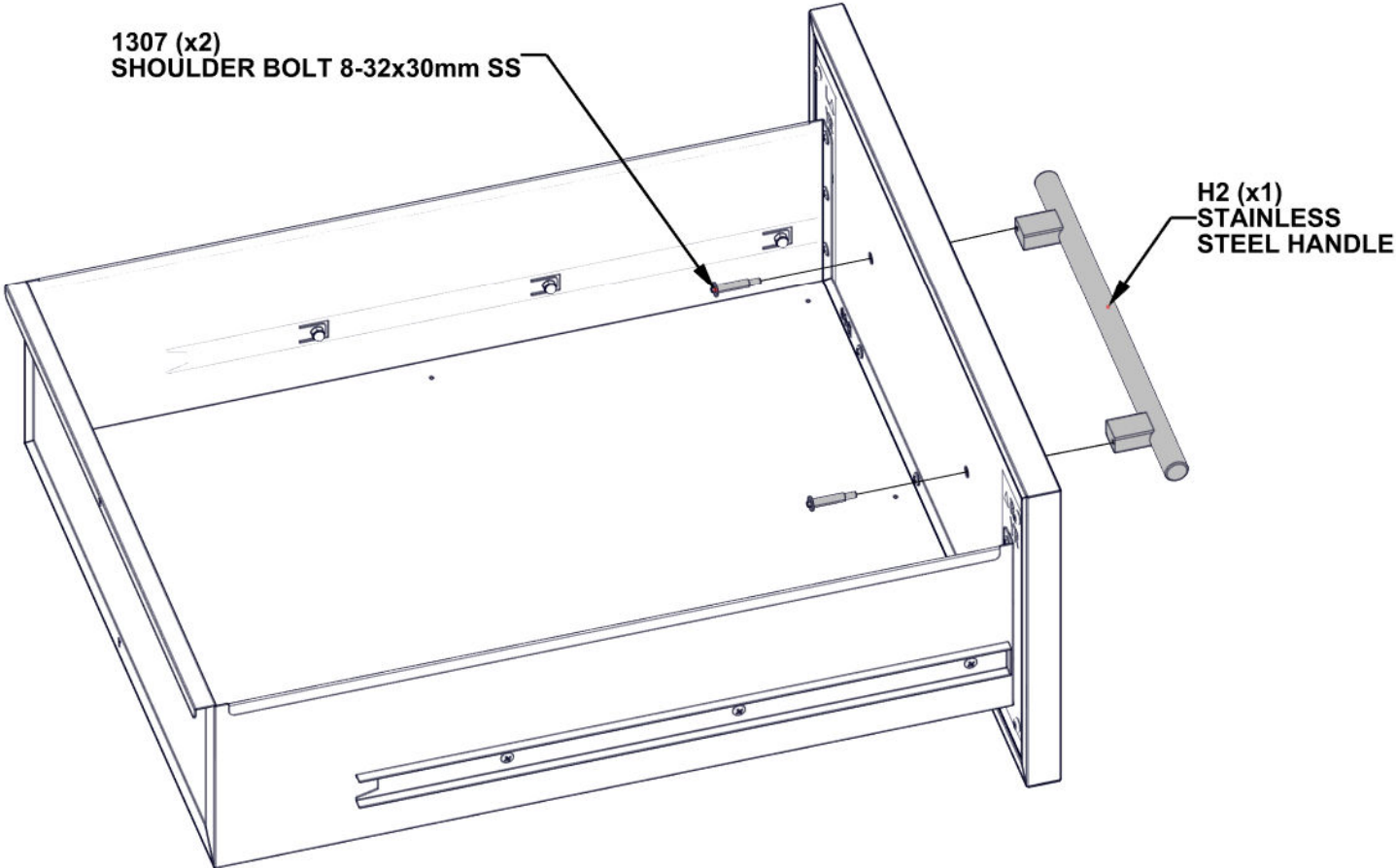
# STEP 59B - DRAWER ASSEMBLY

Qty	PartNo	Description
2	H101307	SHOULDER BOLT 8-32x30mm SS



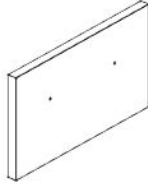
H2 STAINLESS STEEL HANDLE - A4M03024  
(x1) 5/8"x1 9/16"x11 13/16" (16x40x300)

- INSTALL DRAWER HANDLE TO DRAWER.



# STEP 60A - DRAWER ASSEMBLY

Qty	PartNo	Description
18	H101289	PAN HEAD SCREW 8-32x1/2" SS

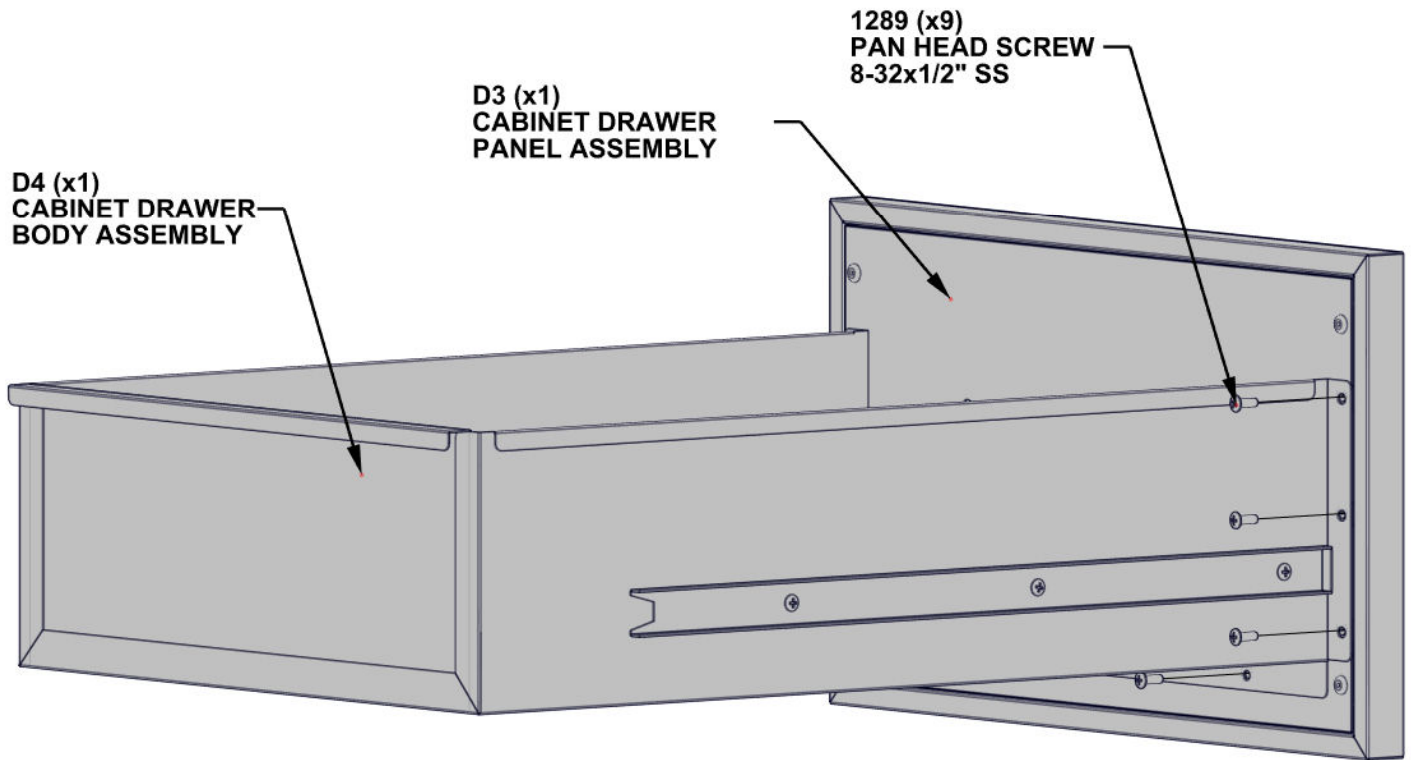


D3 CABINET DRAWER PANEL ASSEMBLY - A4M03569  
(x2) 17 3/4"x10 1/4"x15/16" (24x260x451)



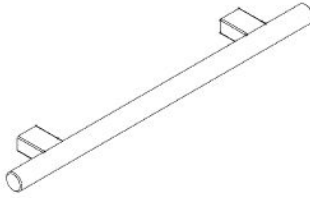
D4 CABINET DRAWER BODY ASSEMBLY - A4M03571  
(x2) 22 1/4"x16 1/16"x6 7/16" (164x408x565)

**- REPEAT THIS STEP 2 TIMES.**



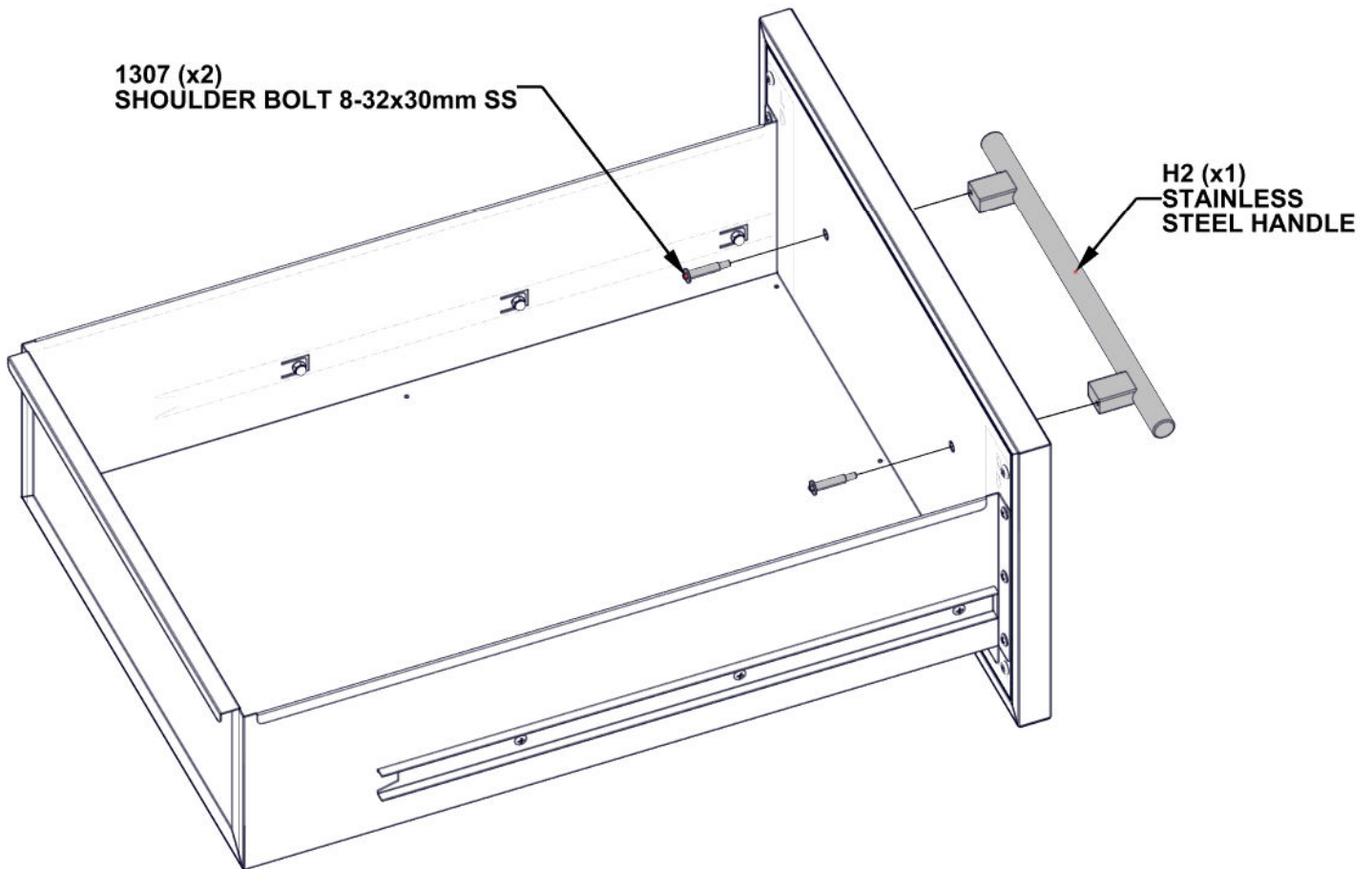
# STEP 60B - DRAWER ASSEMBLY

Qty	PartNo	Description
4	H101307	SHOULDER BOLT 8-32x30mm SS

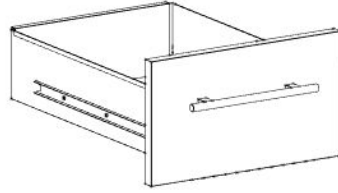


H2 STAINLESS STEEL HANDLE - A4M03024  
(x2) 5/8"x1 9/16"x11 13/16" (16x40x300)

- INSTALL DRAWER HANDLE TO DRAWER.
- REPEAT THIS STEP 2 TIMES.

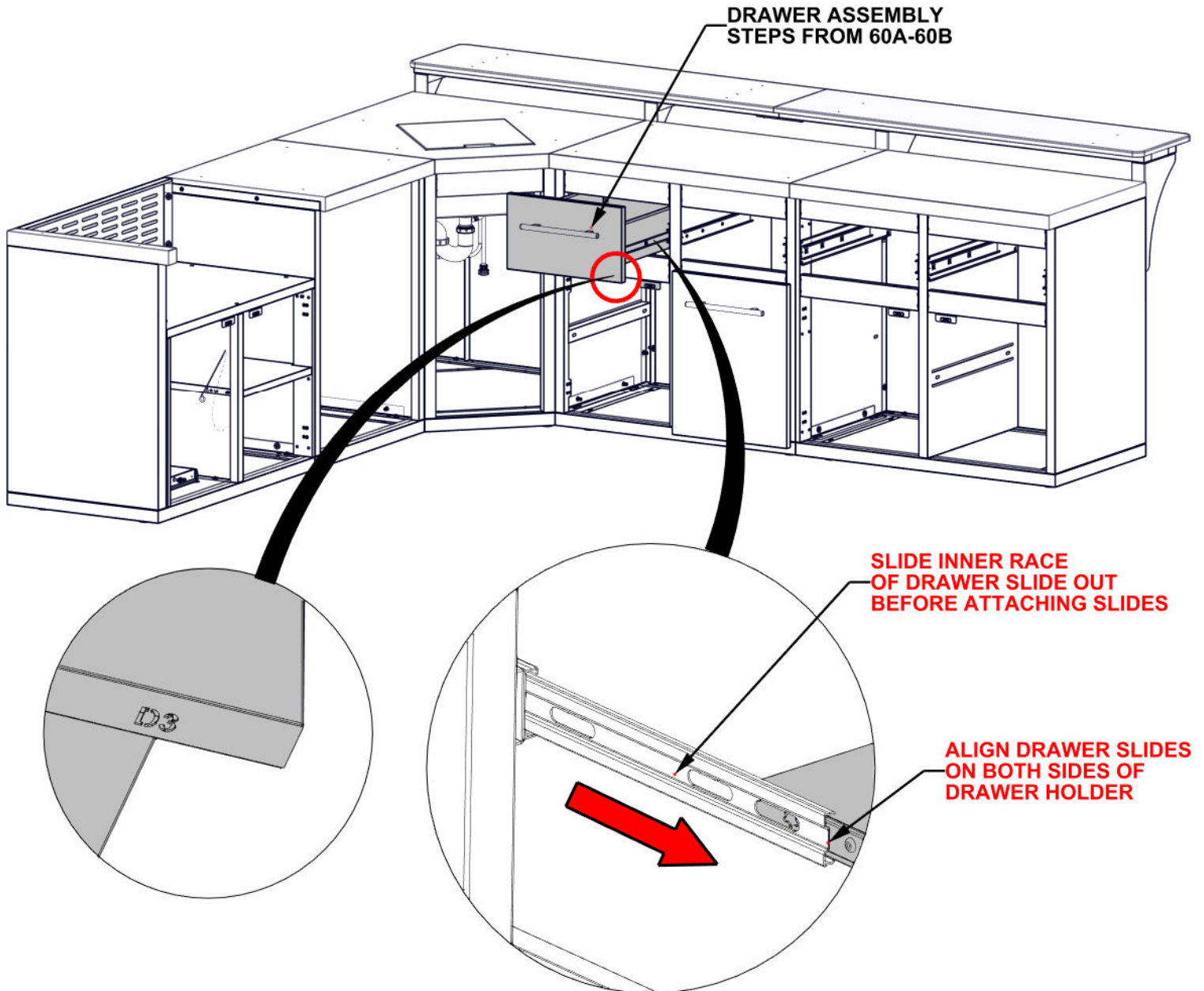


# STEP 61A - CABINET DRAWER ATTACHMENT

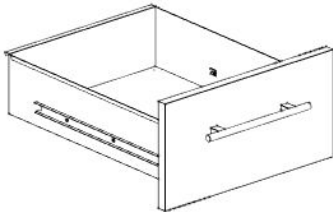


DRAWER ASSEMBLY STEPS FROM 60A-60B

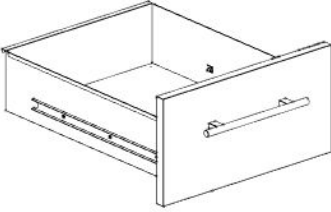
- ATTACH DRAWER ASSEMBLY BY ALIGNING BOTH ENDS OF FACTORY ASSEMBLED DRAWER SLIDES WITH ONE ANOTHER.
- PRESS TOGETHER UNTIL DRAWER SLIDES CONNECT.



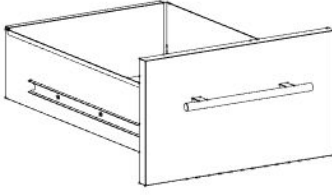
# STEP 61B - CABINET DRAWER ATTACHMENT



DRAWER ASSEMBLY STEPS 58A-58B

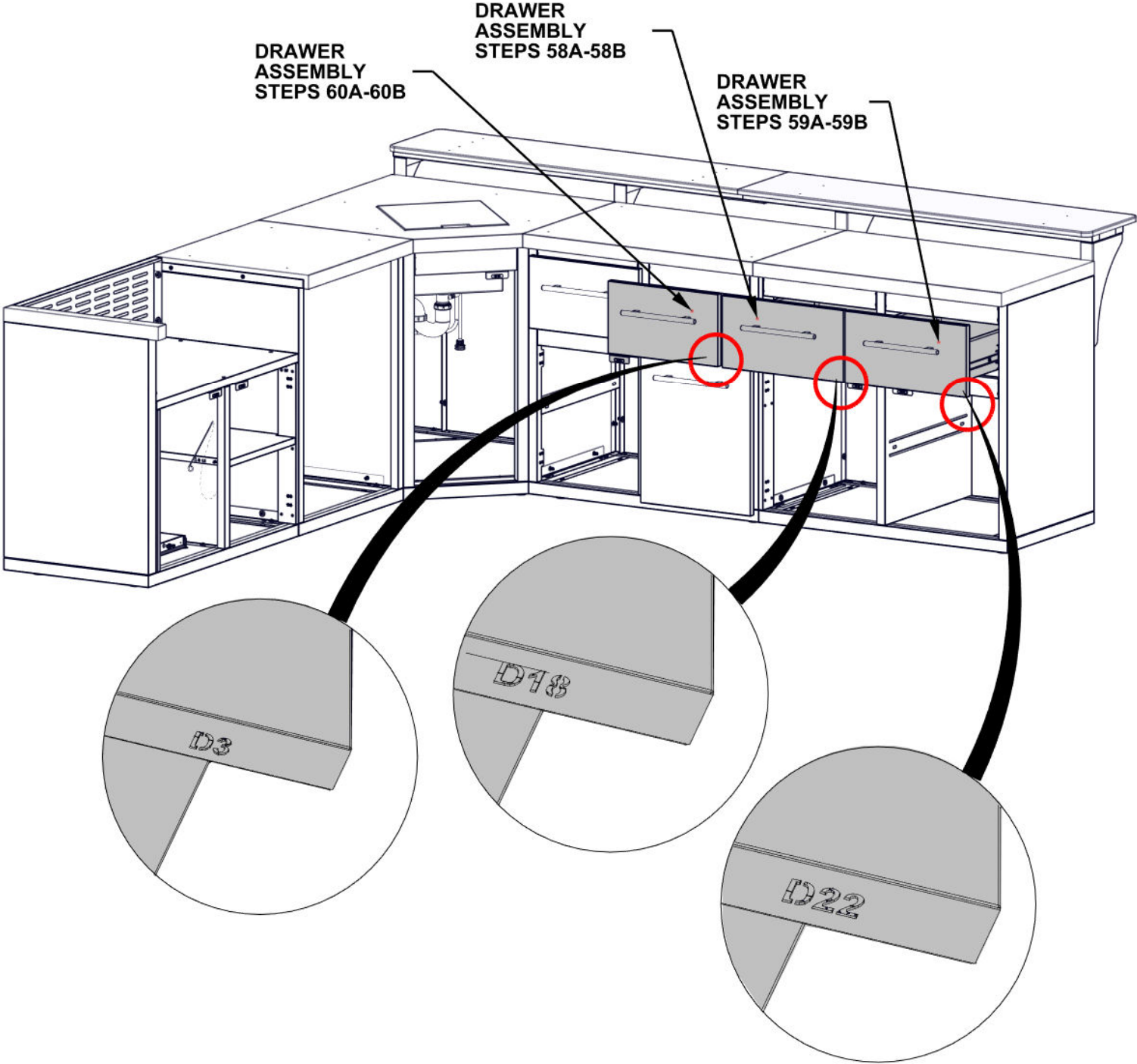


DRAWER ASSEMBLY STEPS 59A-59B

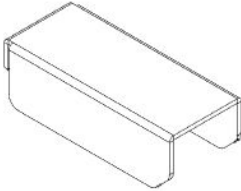


DRAWER ASSEMBLY STEPS 60A-60B

**- REPEAT STEP 61A TO INSTALL REMAINING THREE DRAWERS.**

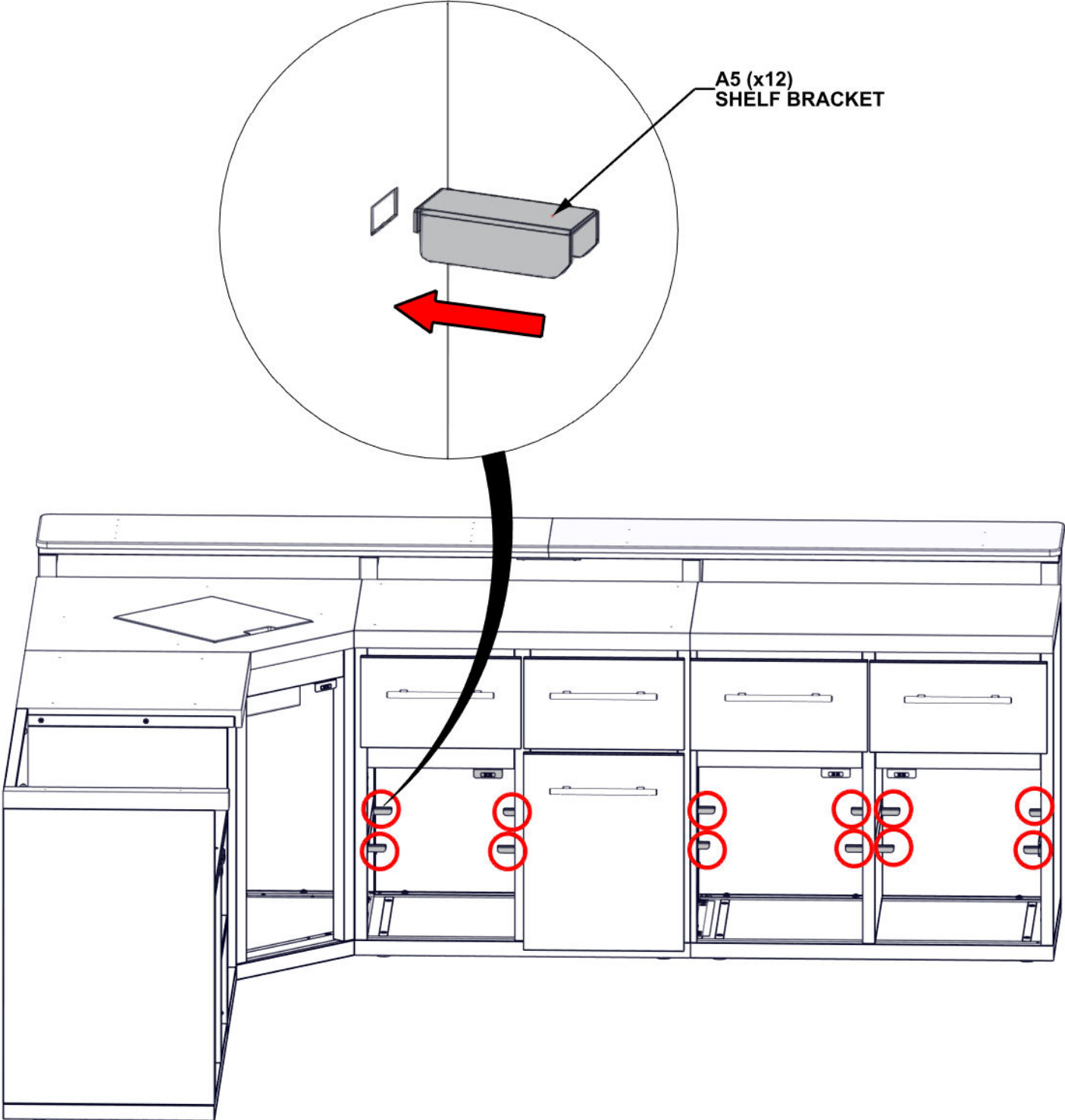


# STEP 62A - CABINET SHELF ASSEMBLY

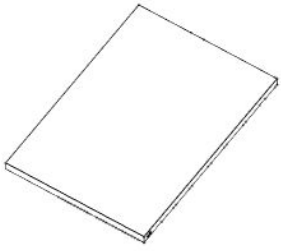


A5 SHELF BRACKET - A4M03141  
(x12) 5/8"x7/8"x2 1/16" (16x22x53)

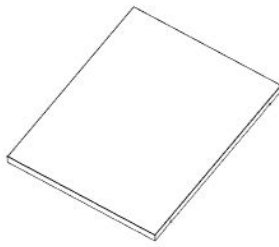
- ATTACH SHELF BRACKETS ON BOTH SIDES OF CENTER CABINET.



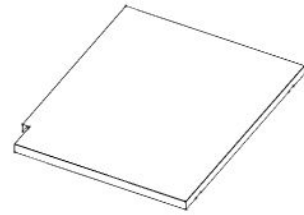
# STEP 62B - CABINET SHELF ASSEMBLY



L8 SHELF - A4M05644  
(x1) 23 1/4"x16 1/4"x1" (25x412x591)

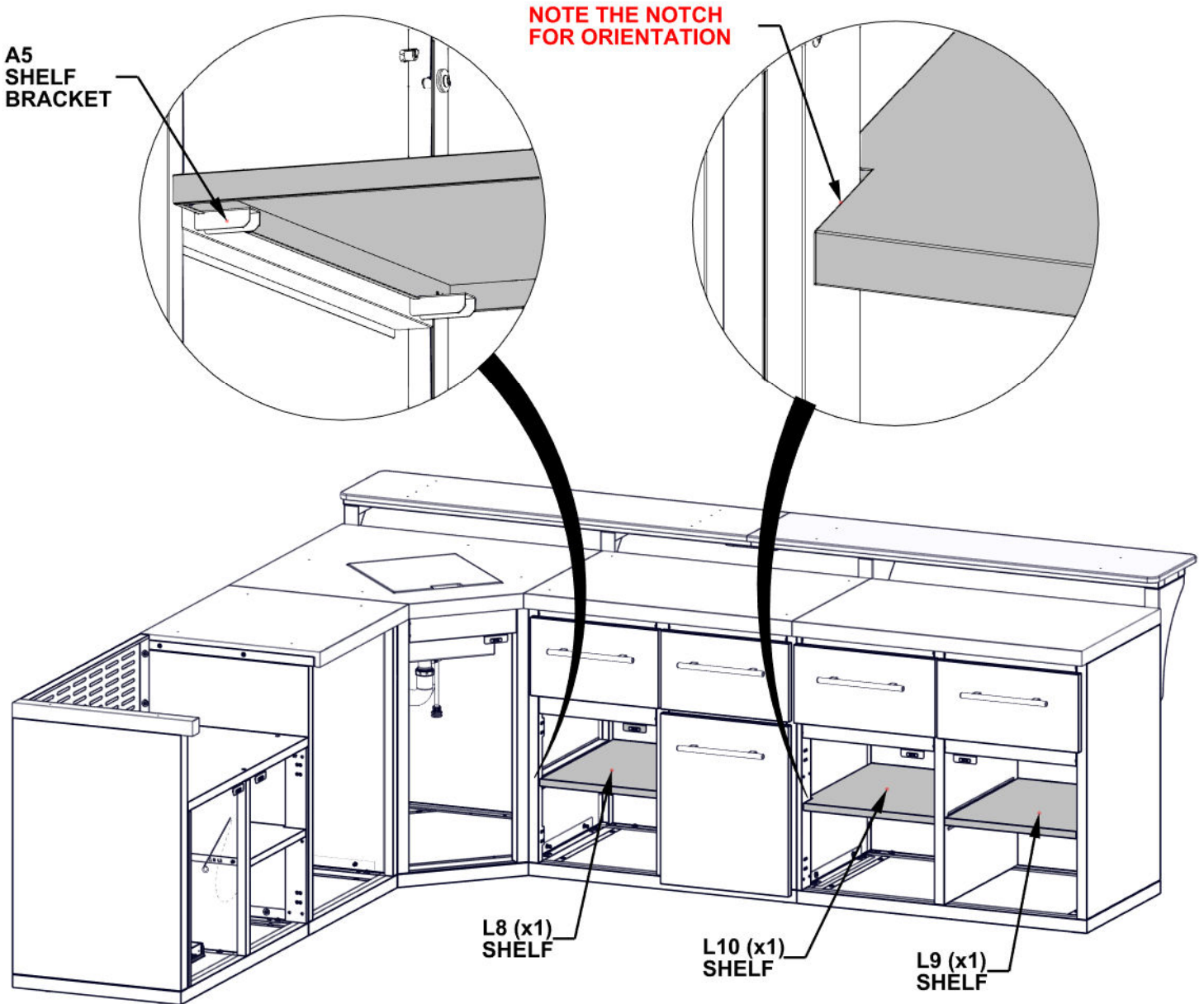


L9 SHELF - A4M05645  
(x1) 23 1/4"x18 1/4"x1" (25x463x591)



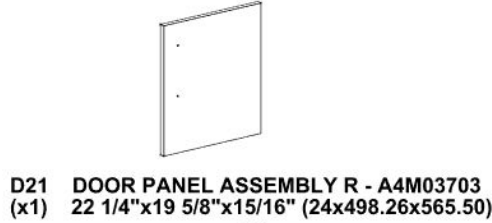
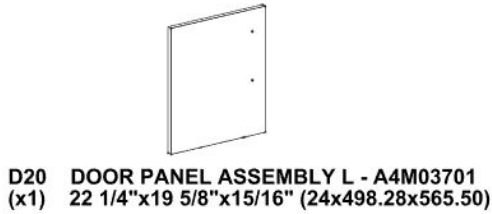
L10 SHELF - A4M05646  
(x1) 23 1/4"x19"x1" (25x482x591)

- PUT SHELVES ON THE SHELF BRACKETS.

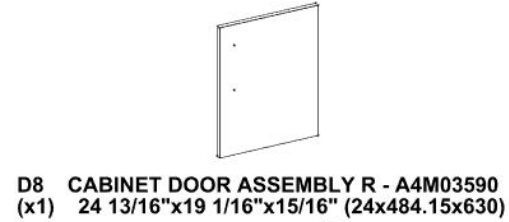


# STEP 63A - DOOR ASSEMBLY

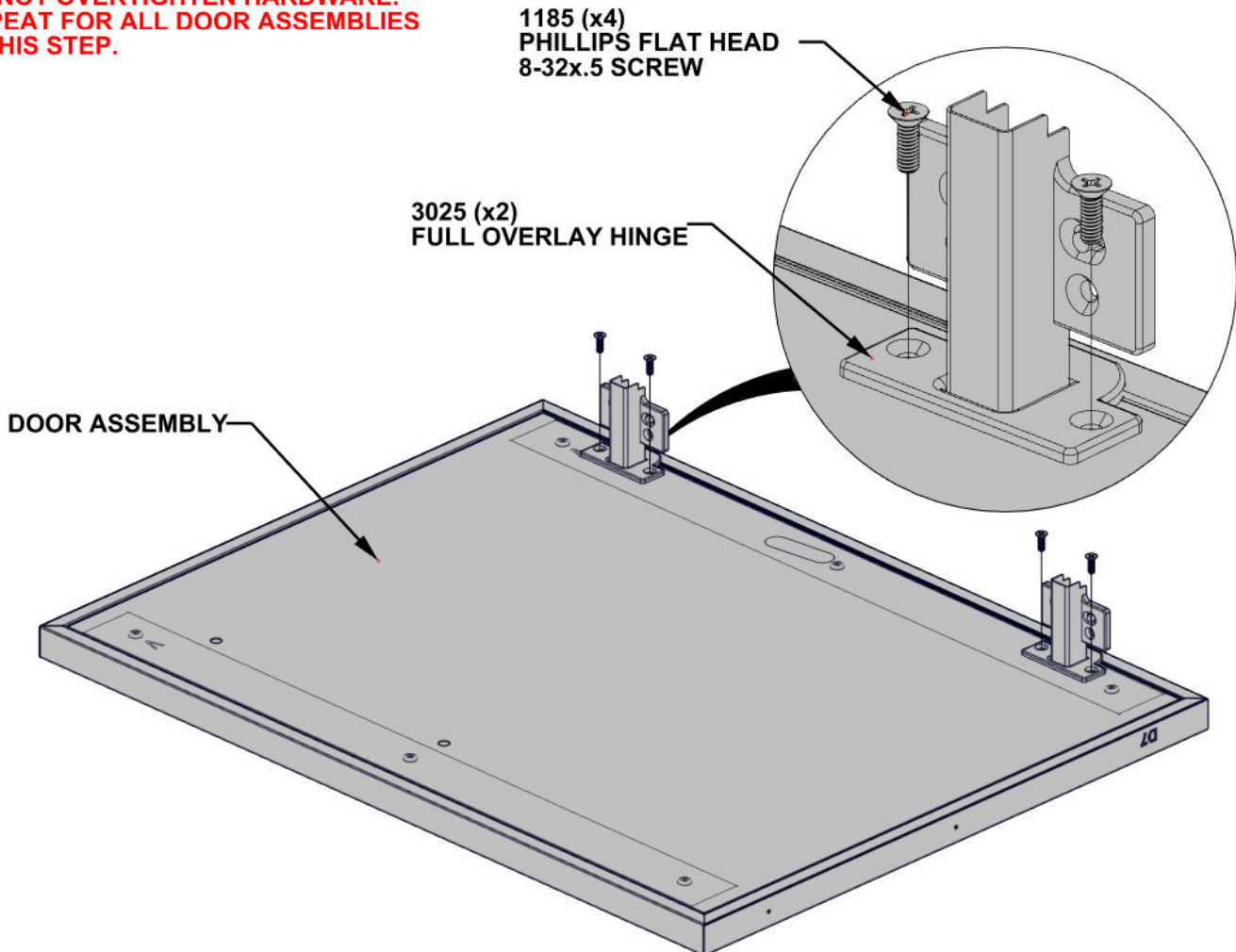
Qty	PartNo	Description
24	H101185	PHILLIPS FLAT HEAD 8-32x.5 SCREW



A4M03025 FULL OVERLAY HINGE  
(x12)

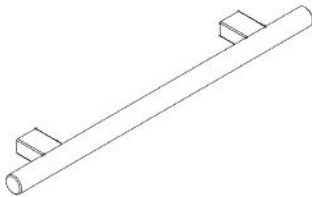


- INSTALL CABINET HINGES TO ALL DOORS.
- **DO NOT OVERTIGHTEN HARDWARE.**
- **REPEAT FOR ALL DOOR ASSEMBLIES IN THIS STEP.**



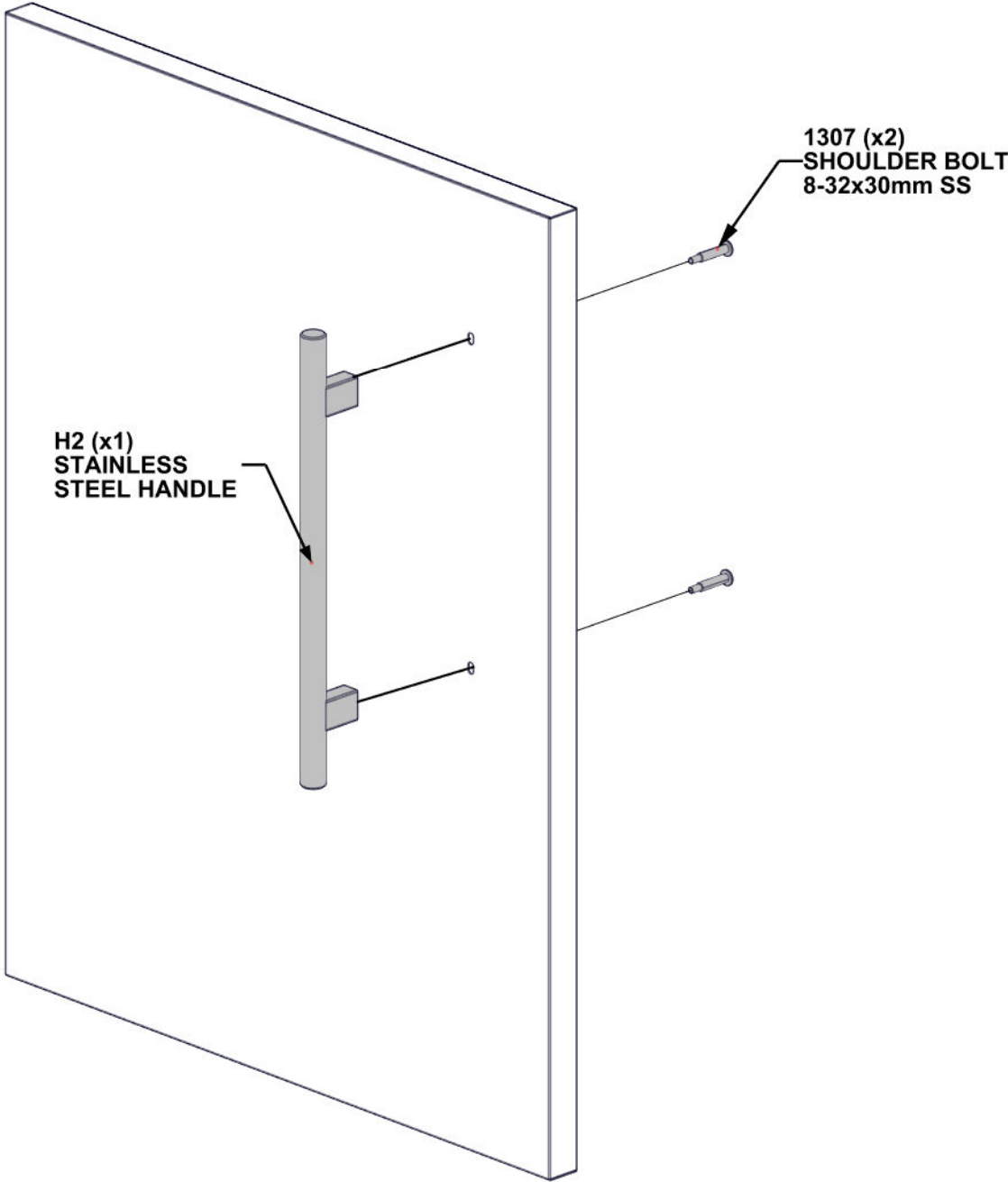
# STEP 63B - DOOR ASSEMBLY

Qty	PartNo	Description
12	H101307	SHOULDER BOLT 8-32x30mm SS

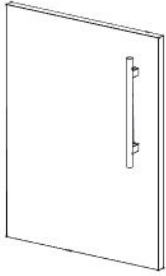


H2 STAINLESS STEEL HANDLE - A4M03024  
(x6) 5/8"x1 9/16"x11 13/16" (16x40x300)

- INSTALL CABINET HANDLES TO ALL DOORS.
- REPEAT THIS STEP 6 TIMES.



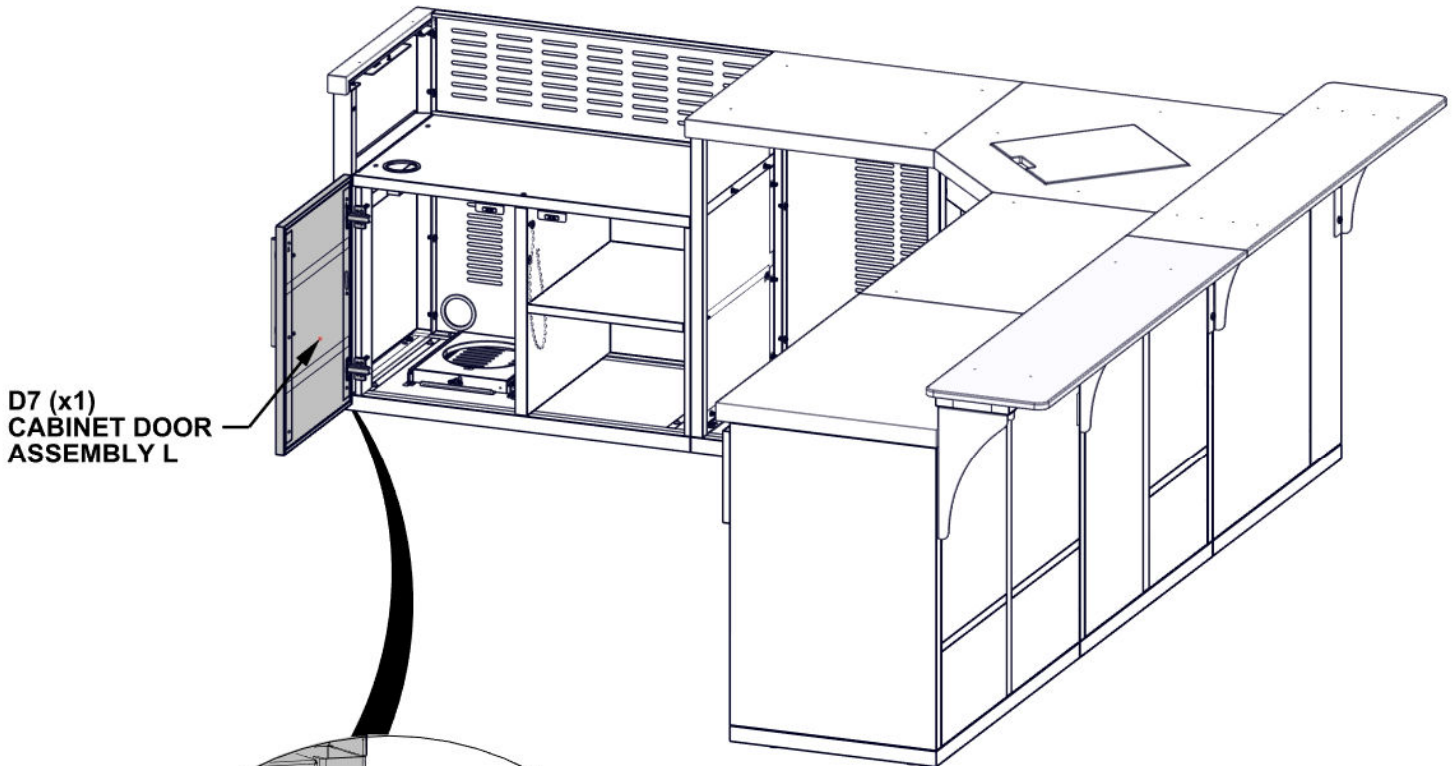
# STEP 64 - CABINET DOOR ATTACHMENT



Qty	PartNo	Description
8	H101185	PHILLIPS FLAT HEAD 8-32x.5 SCREW

D7 CABINET DOOR ASSEMBLY L - A4M03587  
(x1) 24 13/16"x19 1/16"x15/16" (24x484.15x630)

- FOR THIS STEP IT IS HELPFUL TO HAVE AN ADDITIONAL PERSON HELP HOLD DOOR IN PLACE.
- WITH CABINET HINGES ATTACHED TO DOOR, ALIGN HOLES IN HINGE BRACKET WITH THREADED INSERTS IN SIDE OF CABINET PANEL.



D7 (x1)  
CABINET DOOR  
ASSEMBLY L

**ALIGN HINGE BRACKET WITH  
THREADED INSERTS IN PANEL**

**1185 (x8)  
PHILLIPS FLAT HEAD 8-32x.5 SCREW  
DO NOT OVERTIGHTEN HARDWARE**

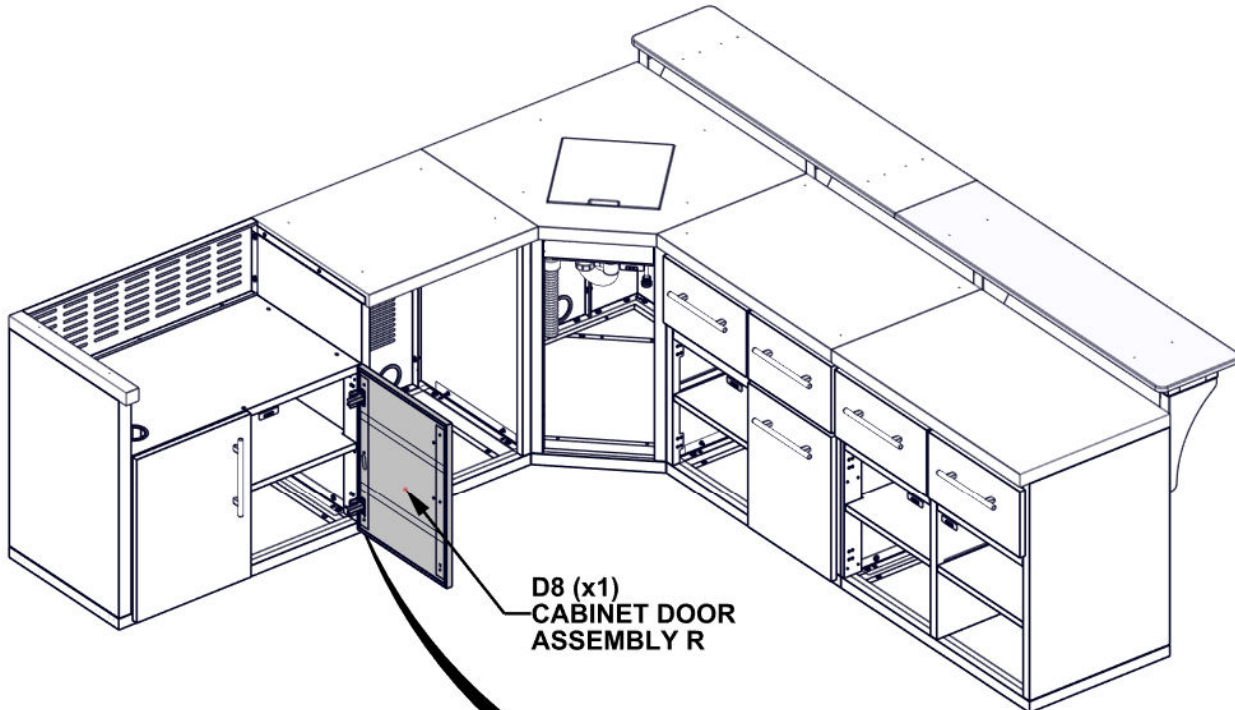
# STEP 65 - CABINET DOOR ATTACHMENT



Qty	PartNo	Description
8	H101185	PHILLIPS FLAT HEAD 8-32x.5 SCREW

D8 CABINET DOOR ASSEMBLY R - A4M03590  
(x1) 24 13/16"x19 1/16"x15/16" (24x484.15x630)

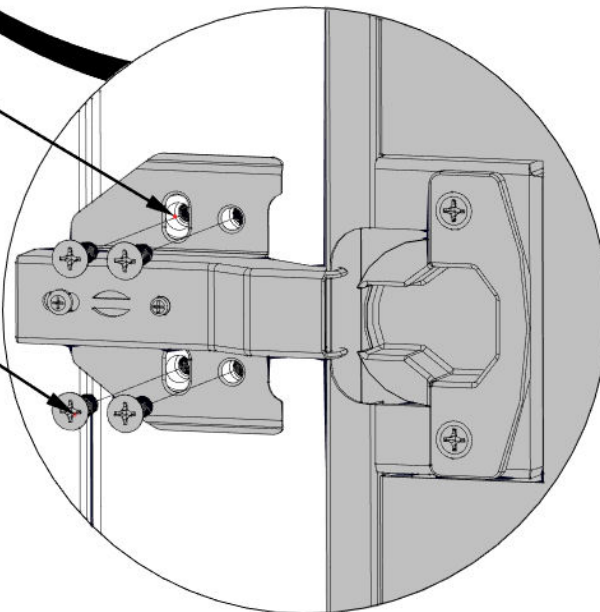
- FOR THIS STEP IT IS HELPFUL TO HAVE AN ADDITIONAL PERSON HELP HOLD DOOR IN PLACE.
- WITH CABINET HINGES ATTACHED TO DOOR, ALIGN HOLES IN HINGE BRACKET WITH THREADED INSERTS IN SIDE OF CABINET PANEL.



**ALIGN HINGE BRACKET WITH  
THREADED INSERTS IN PANEL**

**1185 (x8)  
PHILLIPS FLAT HEAD 8-32x.5 SCREW**

**DO NOT OVERTIGHTEN HARDWARE**



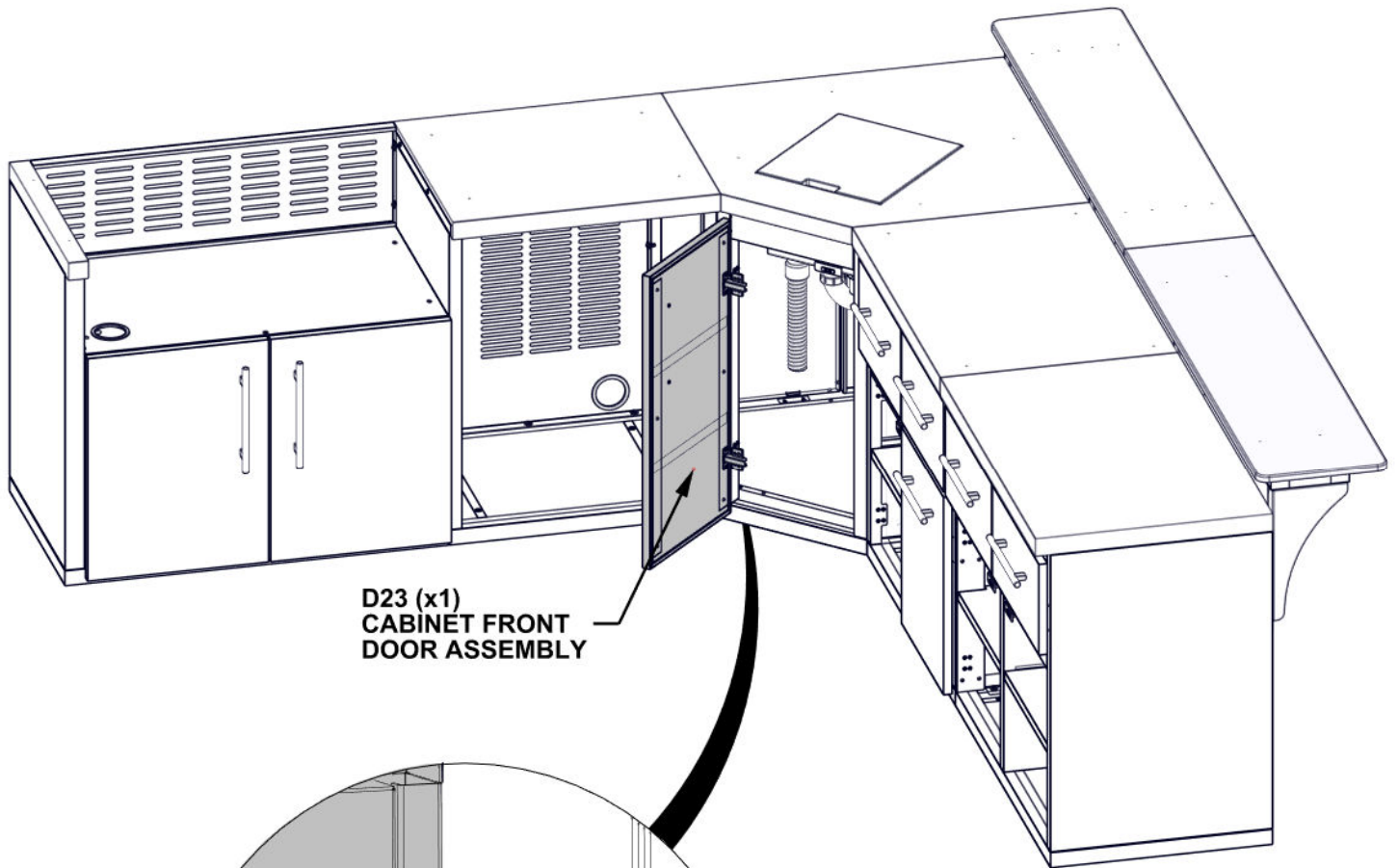
# STEP 66 - CABINET DOOR ATTACHMENT



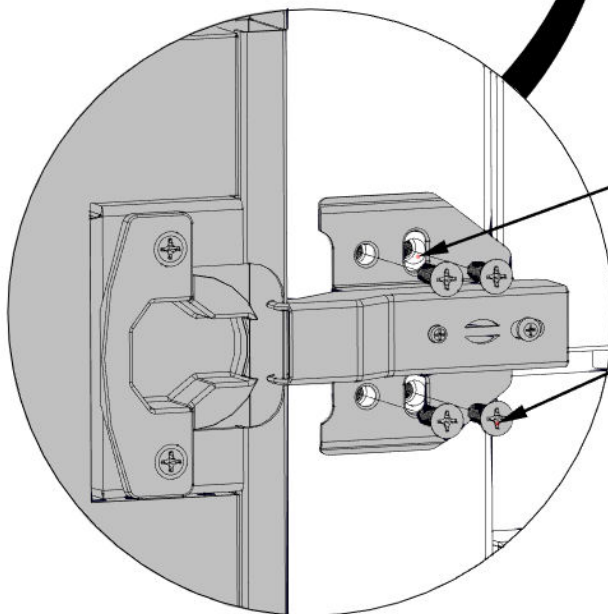
Qty	PartNo	Description
8	H101185	PHILLIPS FLAT HEAD 8-32x.5 SCREW

D23 CABINET FRONT DOOR ASSEMBLY - A4M04720  
(x1) 33 1/16"x16 1/16"x15/16" (24x408x840)

- FOR THIS STEP IT IS HELPFUL TO HAVE AN ADDITIONAL PERSON HELP HOLD DOOR IN PLACE.
- WITH CABINET HINGES ATTACHED TO DOOR, ALIGN HOLES IN HINGE BRACKET WITH THREADED INSERTS IN SIDE OF CABINET PANEL.



D23 (x1)  
CABINET FRONT  
DOOR ASSEMBLY

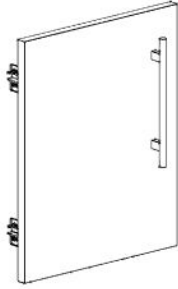


**ALIGN HINGE BRACKET WITH  
THREADED INSERTS IN PANEL**

1185 (x8)  
PHILLIPS FLAT HEAD 8-32x.5 SCREW

**DO NOT OVERTIGHTEN HARDWARE**

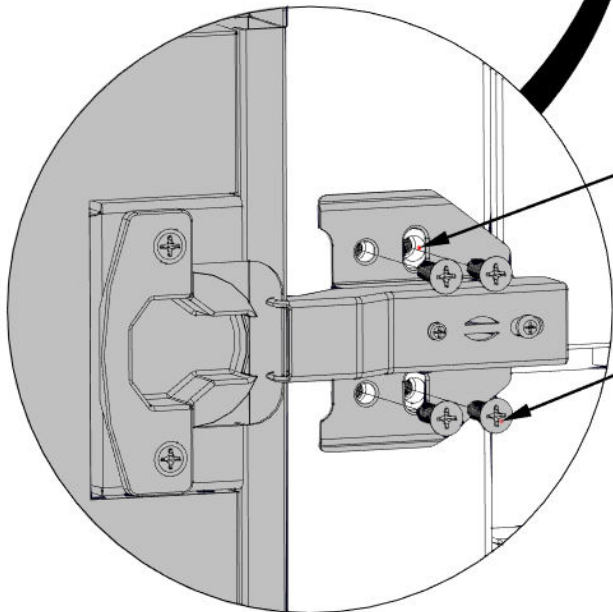
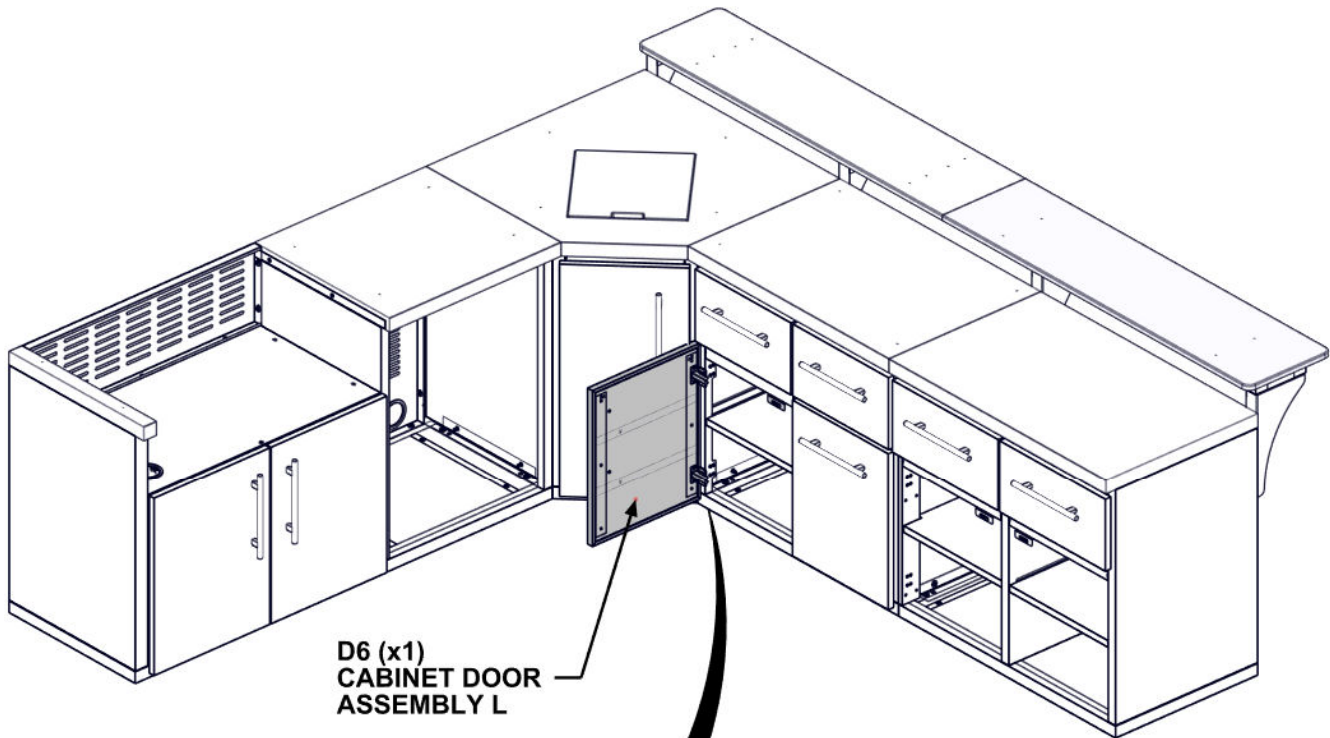
# STEP 67 - CABINET DOOR ATTACHMENT



Qty	PartNo	Description
8	H101185	PHILLIPS FLAT HEAD 8-32x.5 SCREW

D6 CABINET DOOR ASSEMBLY L - A4M03577  
(x1) 22 1/4"x17 13/16"x15/16" (24x452x565)

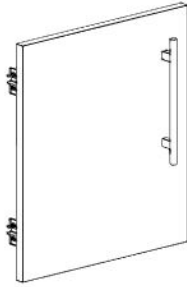
- FOR THIS STEP IT IS HELPFUL TO HAVE AN ADDITIONAL PERSON HELP HOLD DOOR IN PLACE.
- WITH CABINET HINGES ATTACHED TO DOOR, ALIGN HOLES IN HINGE BRACKET WITH THREADED INSERTS IN SIDE OF CABINET PANEL.



**ALIGN HINGE BRACKET WITH  
THREADED INSERTS IN PANEL**

**1185 (x8)  
PHILLIPS FLAT HEAD 8-32x.5 SCREW  
DO NOT OVERTIGHTEN HARDWARE**

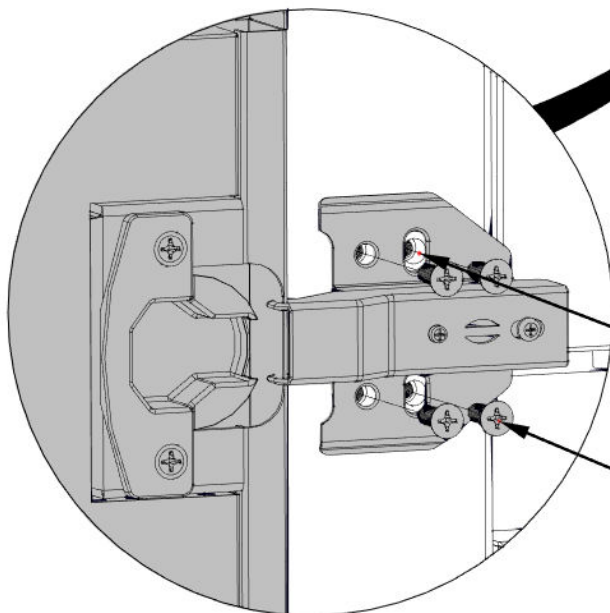
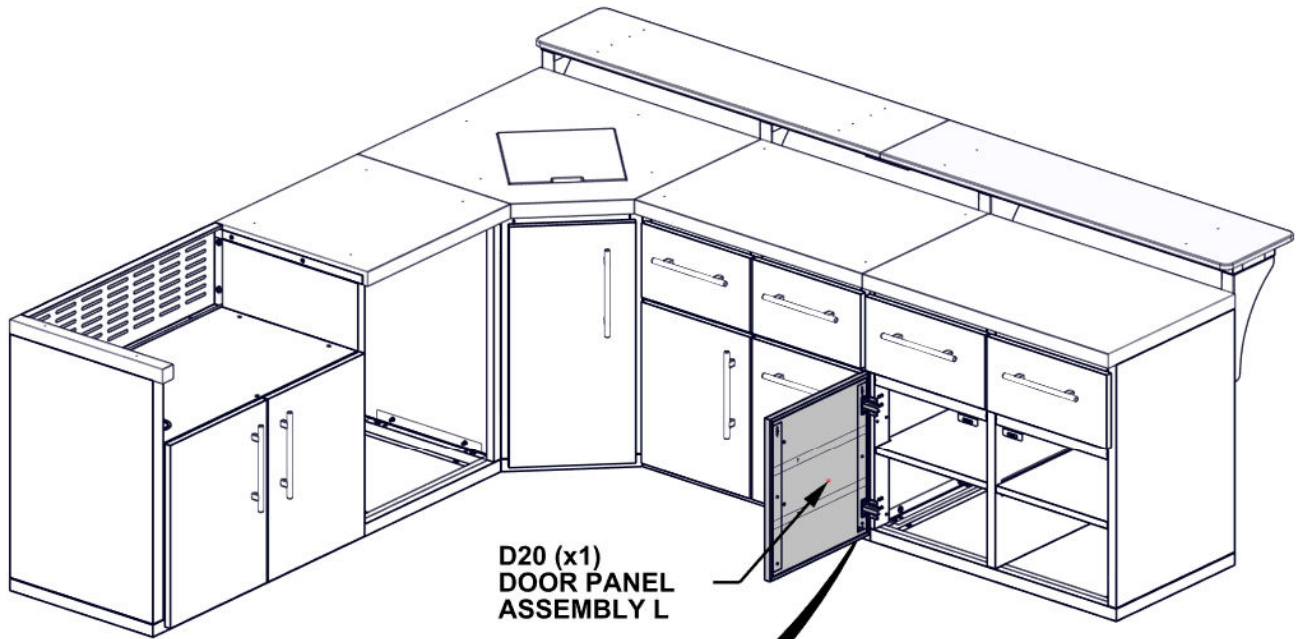
# STEP 68 - CABINET DOOR ATTACHMENT



D20 DOOR PANEL ASSEMBLY L - A4M03701  
(x1) 22 1/4"x19 5/8"x15/16" (24x498.28x565.50)

Qty	PartNo	Description
8	H101185	PHILLIPS FLAT HEAD 8-32x.5 SCREW

- FOR THIS STEP IT IS HELPFUL TO HAVE AN ADDITIONAL PERSON HELP HOLD DOOR IN PLACE.
- WITH CABINET HINGES ATTACHED TO DOOR, ALIGN HOLES IN HINGE BRACKET WITH THREADED INSERTS IN SIDE OF CABINET PANEL.

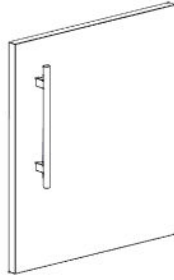


**ALIGN HINGE BRACKET WITH  
THREADED INSERTS IN PANEL**

**1185 (x8)  
PHILLIPS FLAT HEAD 8-32x.5 SCREW**

**DO NOT OVERTIGHTEN HARDWARE**

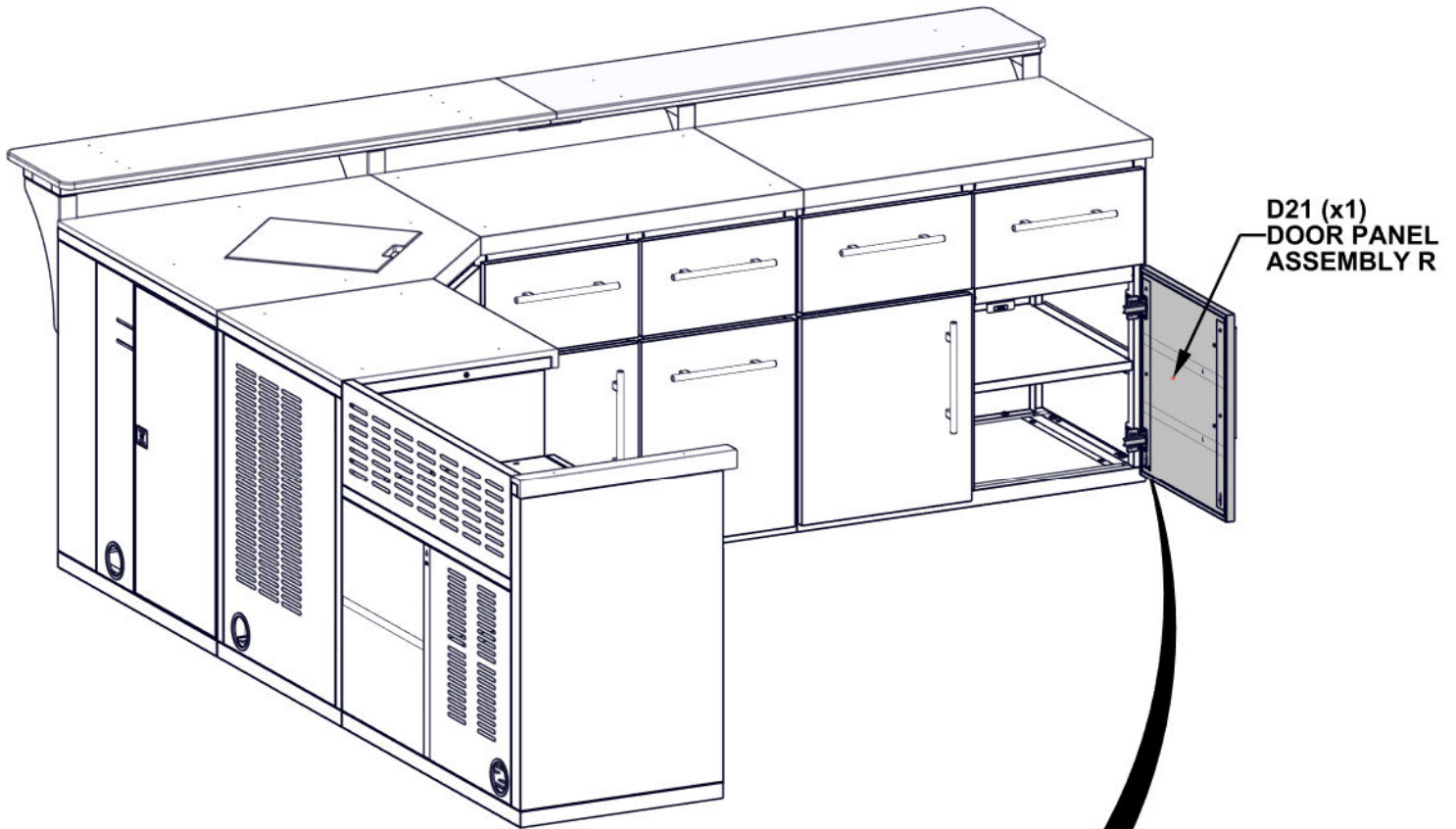
# STEP 69 - CABINET DOOR ATTACHMENT



Qty	PartNo	Description
8	H101185	PHILLIPS FLAT HEAD 8-32x.5 SCREW

D21 DOOR PANEL ASSEMBLY R - A4M03703  
(x1) 22 1/4"x19 5/8"x15/16" (24x498.26x565.50)

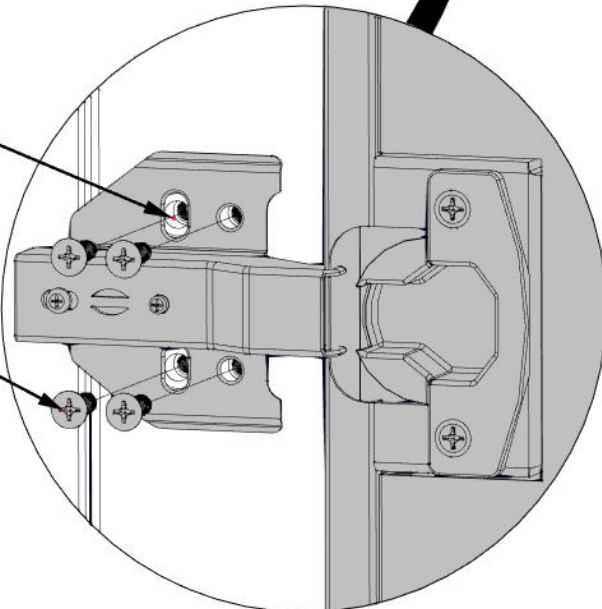
- FOR THIS STEP IT IS HELPFUL TO HAVE AN ADDITIONAL PERSON HELP HOLD DOOR IN PLACE.
- WITH CABINET HINGES ATTACHED TO DOOR, ALIGN HOLES IN HINGE BRACKET WITH THREADED INSERTS IN SIDE OF CABINET PANEL.



**ALIGN HINGE BRACKET WITH  
THREADED INSERTS IN PANEL**

1185 (x8)  
PHILLIPS FLAT HEAD 8-32x.5 SCREW

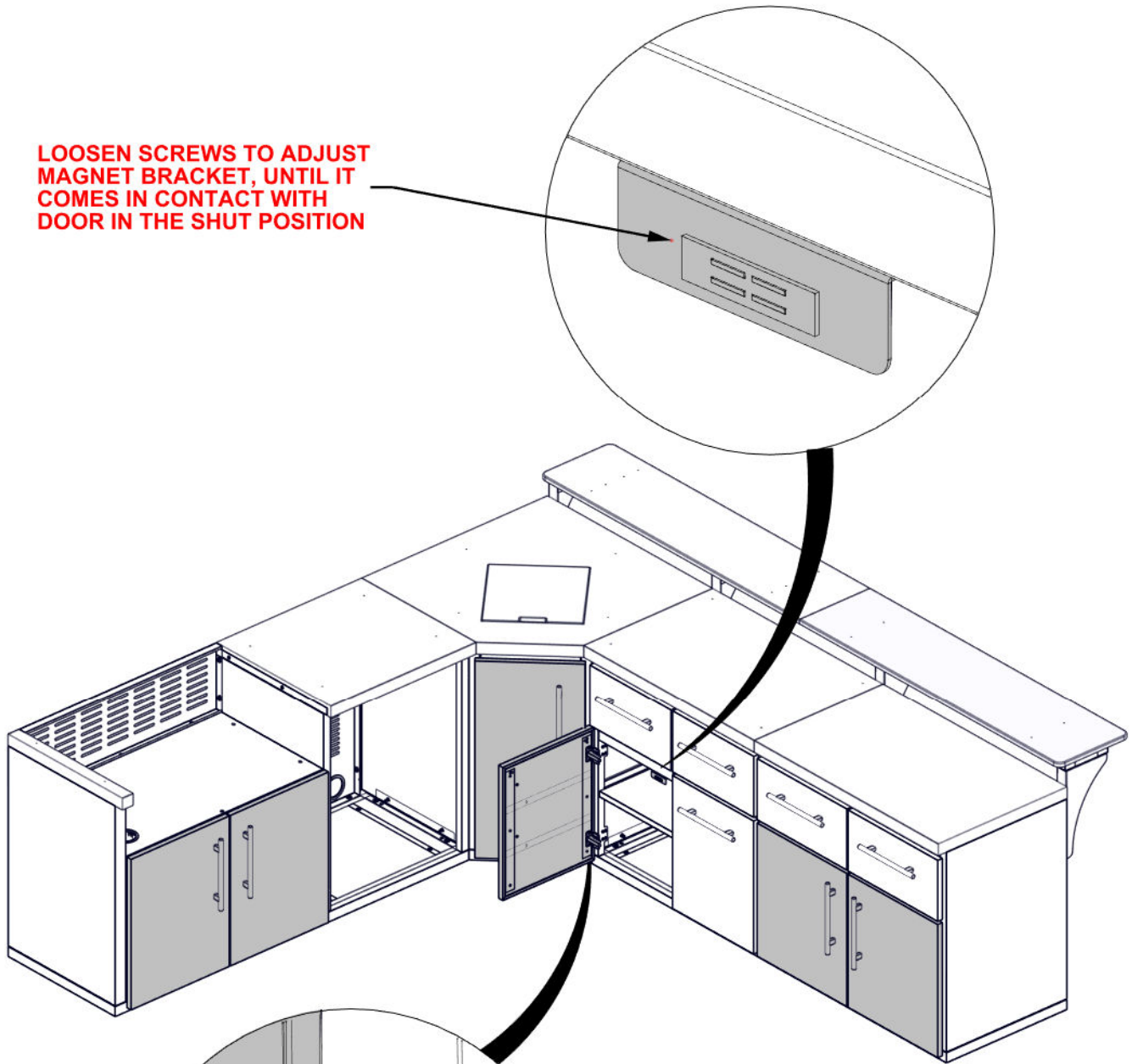
**DO NOT OVERTIGHTEN HARDWARE**



# STEP 70 - CABINET DOOR ADJUSTMENT (AS NEEDED)

- ADJUST HINGES (AS NEEDED) SO THAT THE GAP AROUND ALL DOORS IS THE SAME AND THERE IS NO INTERFERENCE BETWEEN DOORS AND CABINETS.
- ADJUST MAGNET CATCH BRACKETS AS NEEDED.

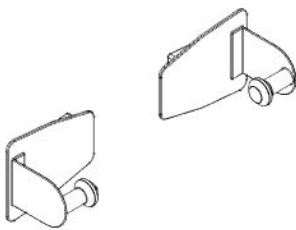
**LOOSEN SCREWS TO ADJUST  
MAGNET BRACKET, UNTIL IT  
COMES IN CONTACT WITH  
DOOR IN THE SHUT POSITION**



**SCREW #2:  
LOOSEN THESE SCREWS TO  
SLIDE DOOR TOWARD CABINET  
OR AWAY FROM CABINET**

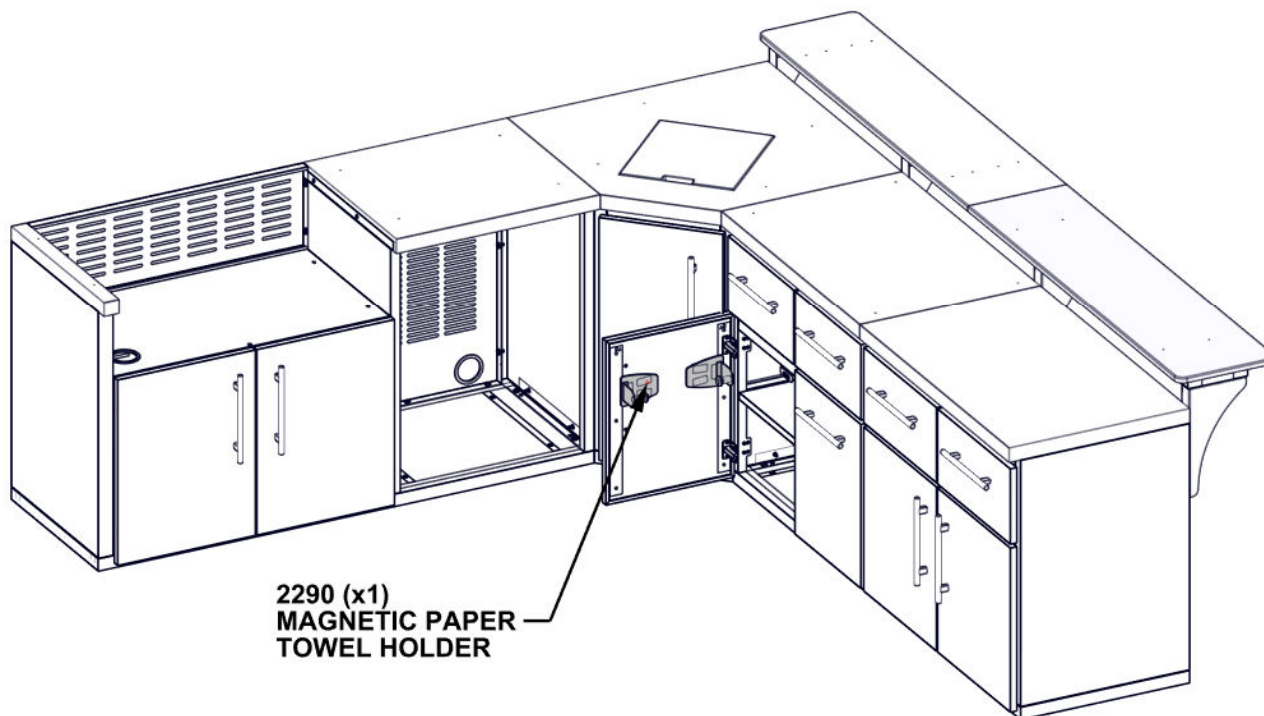
**SCREW #1:  
SCREW CLOCKWISE TO BRING  
EDGE OF DOOR AWAY FROM  
CABINET. SCREW COUNTER  
CLOCKWISE TO BRING EDGE OF  
DOOR CLOSER TO CABINET**

## STEP 71 - KITCHEN ACCESSORY



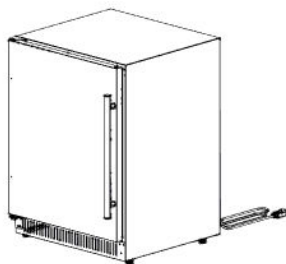
A4M02290 MAGNETIC PAPER TOWEL HOLDER  
(x1)

- MAGNETIC PAPER TOWEL HOLDER CAN BE ATTACHED TO ANY METAL SURFACE ON KITCHEN.
- WE RECOMMEND ATTACHING TO THE INSIDE OF CABINET DOOR.
- **MAKE SURE TO KEEP PAPER TOWEL HOLDER AT A SAFE DISTANCE FROM GRILLING SURFACE.**



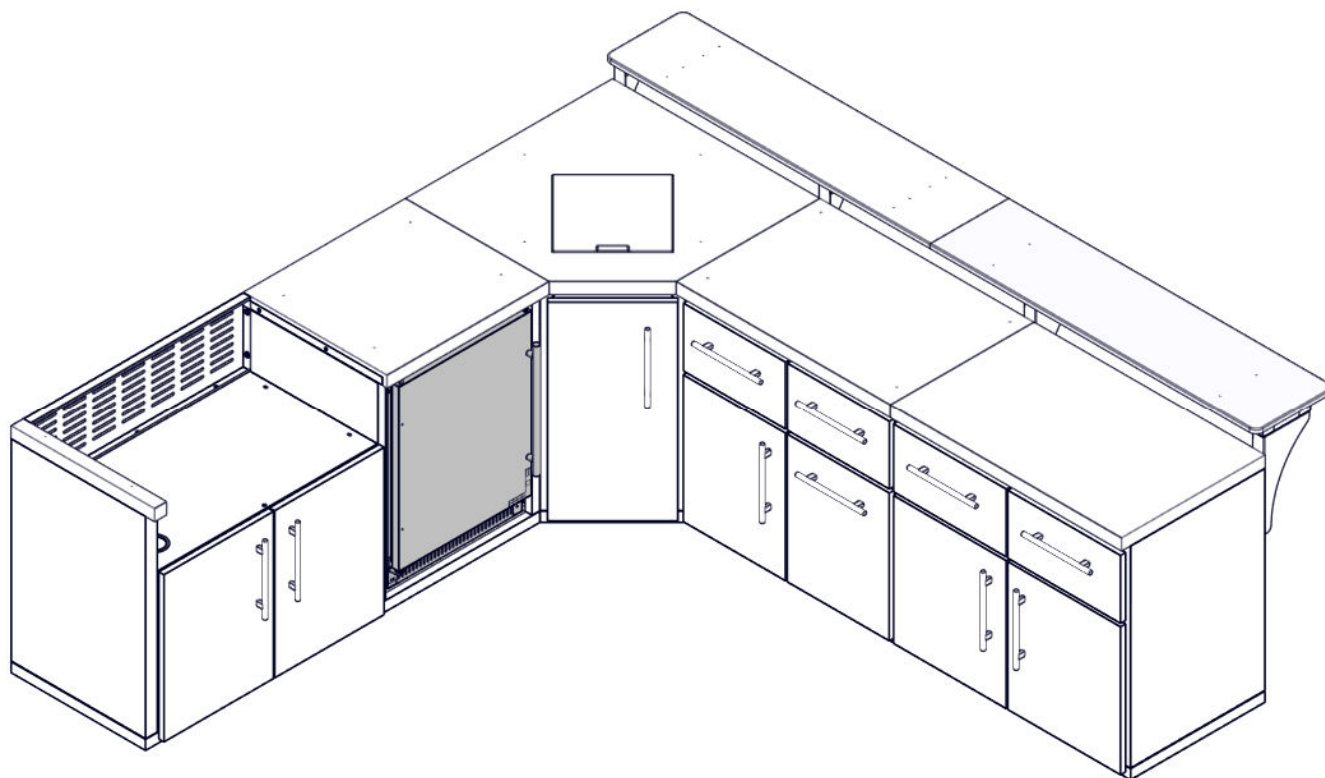
2290 (x1)  
MAGNETIC PAPER  
TOWEL HOLDER

# OUTDOOR KITCHEN FRIDGE



9230132 OUTDOOR KITCHEN FRIDGE - LEFT OPEN  
(x1)

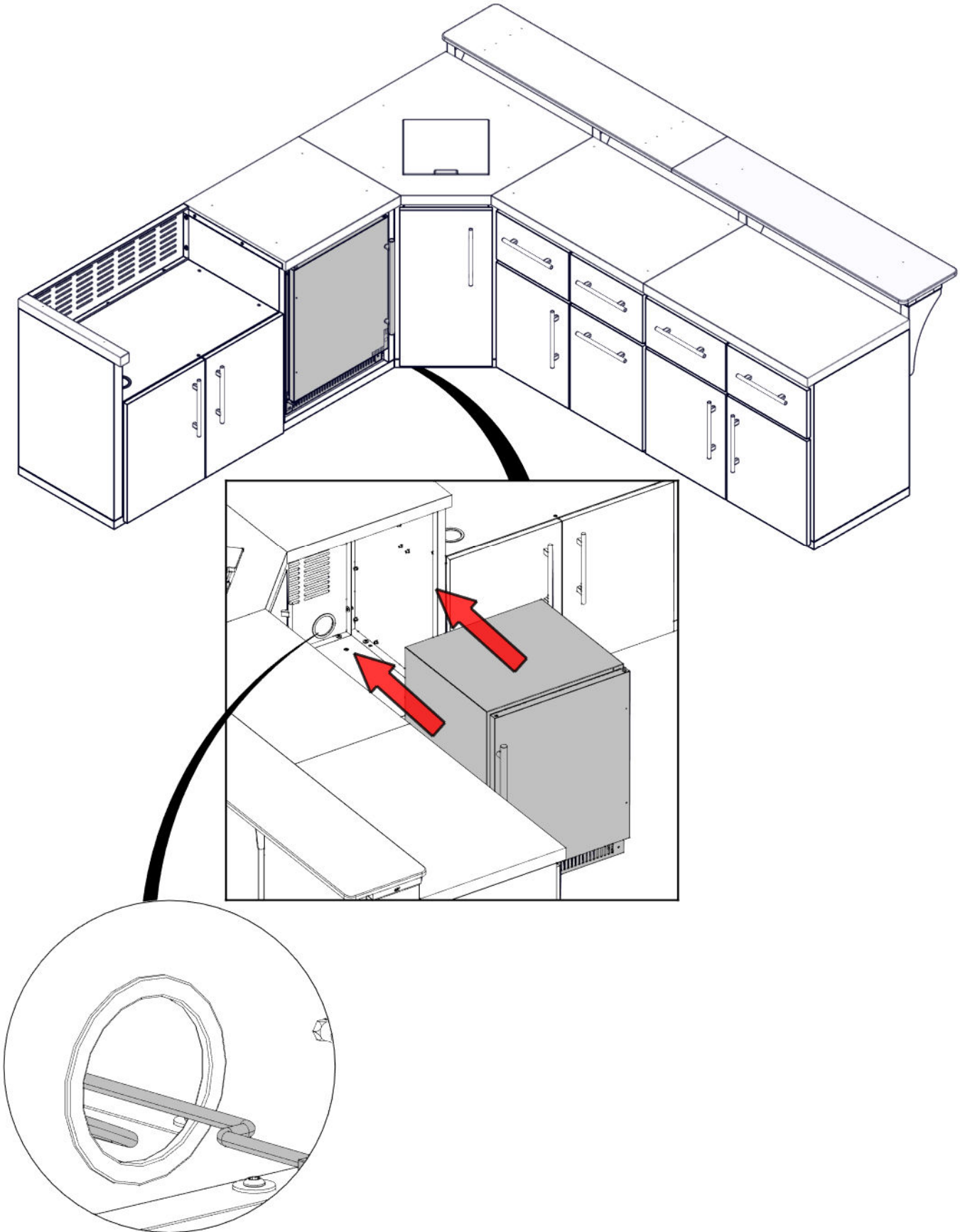
- FOR INSTALLATION OF OUTDOOR KITCHEN FRIDGE, REFER TO PAGES IN THIS INSTRUCTION MANUAL.
- FOR DETAILED INFORMATION OF OUTDOOR KITCHEN FRIDGE, REFER TO ASSEMBLY INSTRUCTIONS THAT COME PACKAGED WITH THE OUTDOOR KITCHEN FRIDGE.
- FOLLOW DIRECTIONS FOR PROPER CARE AND USE.



# OUTDOOR KITCHEN FRIDGE

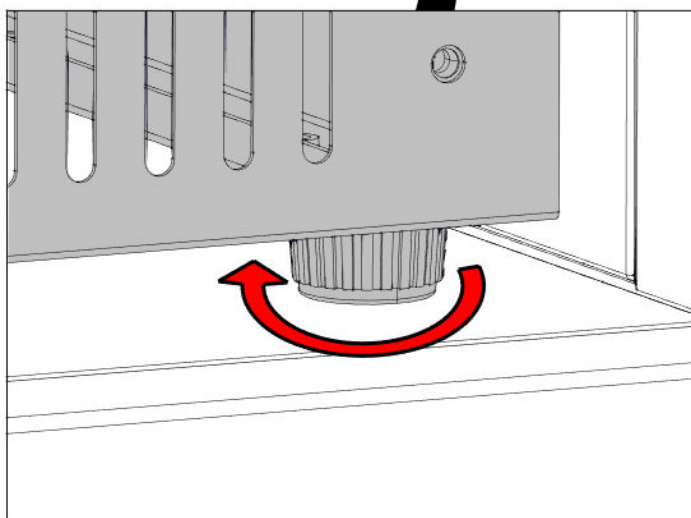
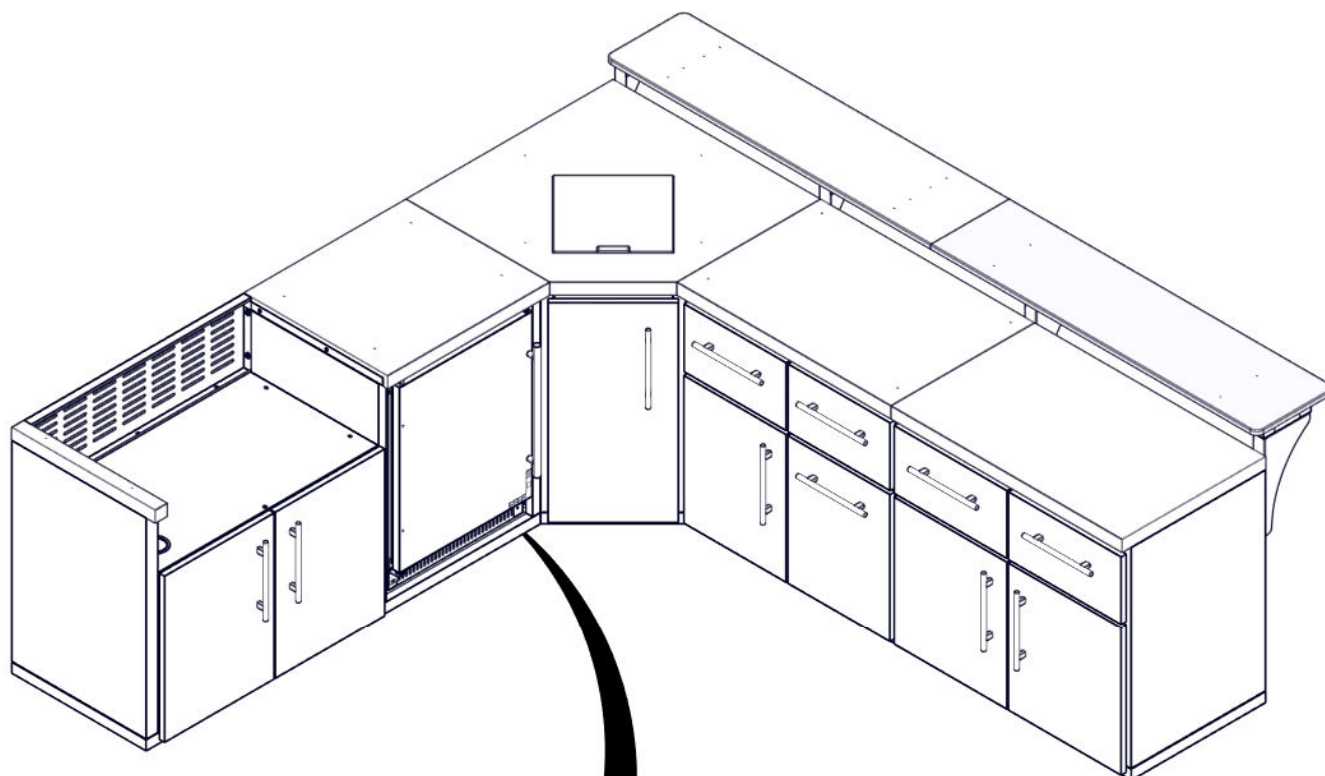
- CAREFULLY SLIDE FRIDGE INTO CABINET OPENING MAKING SURE THAT THE ELECTRICAL CORD IS ROUTED THROUGH THE HOLES IN THE BACK PANELS OF THE CABINET.

- IF FRIDGE IS NOT IN UPRIGHT POSITION, PLEASE LET SIT FOR 24 HRS BEFORE PLUGGING INTO RECEPTACLE.
- FRIDGE CANNOT BE CONNECTED TO ELECTRICAL ENCLOSURE ATTACHED TO OUTDOOR STRUCTURE.

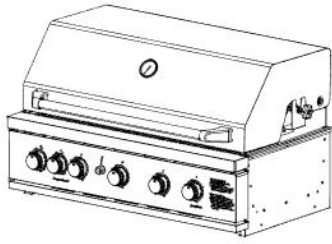


# OUTDOOR KITCHEN FRIDGE

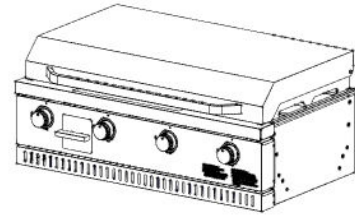
- ALIGN FEET ON FRIDGE UNIT SO THAT IT IS LEVEL AND DOES NOT TILT.
- TURN FEET CLOCKWISE TO EXTEND THEM AND COUNTERCLOCKWISE TO SHORTEN. REPEAT THIS FOR ALL FOUR FRIDGE FEET AS NEEDED TO LEVEL.



# OUTDOOR KITCHEN APPLIANCE INSTALLATION



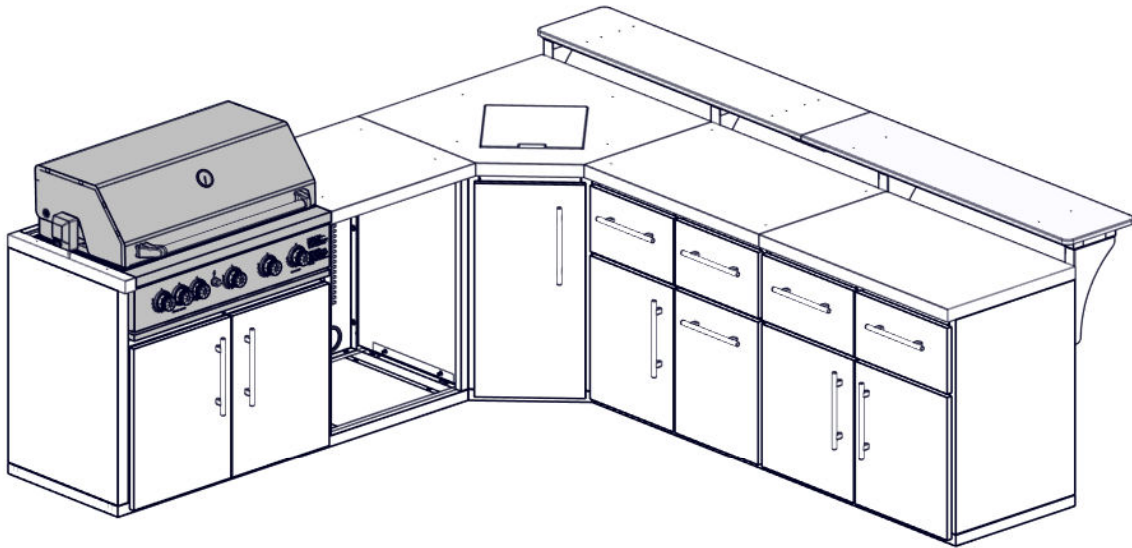
OR



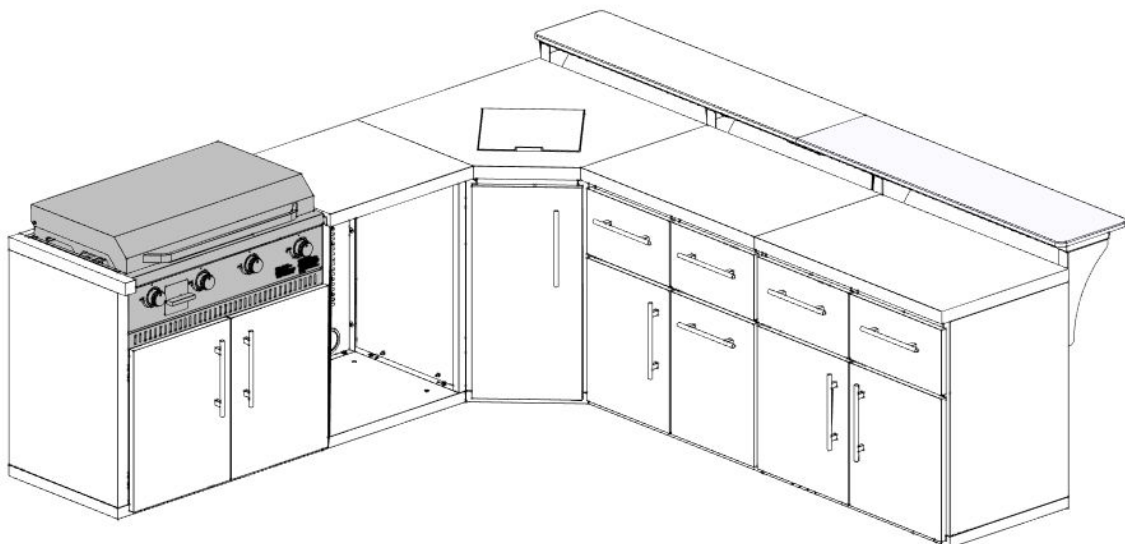
9240025 OUTDOOR KITCHEN GRILL KIT  
(x1)

9240742 OUTDOOR KITCHEN GRIDDLE KIT  
(x1)

- FOR INSTALLATION AND DETAILED INFORMATION OF OUTDOOR KITCHEN GRILL KIT, REFER TO ASSEMBLY INSTRUCTIONS THAT COME PACKAGED WITH THE OUTDOOR KITCHEN GRILL KIT.
- FOLLOW DIRECTIONS FOR PROPER CARE AND USE.



- FOR INSTALLATION AND DETAILED INFORMATION OF OUTDOOR KITCHEN GRIDDLE KIT, REFER TO ASSEMBLY INSTRUCTIONS THAT COME PACKAGED WITH THE OUTDOOR KITCHEN GRIDDLE KIT.
- FOLLOW DIRECTIONS FOR PROPER CARE AND USE.



**NATURAL GAS CONVERSION KIT AVAILABLE BY CONTACTING BACKYARD DISCOVERY AT  
[www.backyarddiscovery.com](http://www.backyarddiscovery.com) 1-800-856-4445**

# OUTDOOR KITCHEN APPLIANCE COVER INSTALLATION

- APPLIANCE COVERS WILL COME PACKAGED WITH EACH RESPECTIVE APPLIANCE.
- CABINET COVER WILL HAVE CUTOUTS FOR EACH APPLIANCE LOCATION.
- INSTALL CABINET COVER OVER FULLY ASSEMBLED KITCHEN PACKAGE.  
NOTE: COVER SHOULD GO ON AFTER APPLIANCES ARE INSTALLED.
- INSTALL INDIVIDUAL APPLIANCE COVERS OVER EACH APPLIANCE, MAKING SURE FLAPS ARE ON THE OUTSIDE OF THE CABINET COVER, AND VELCRO STRIPS ARE FIRMLY CONNECTED.

