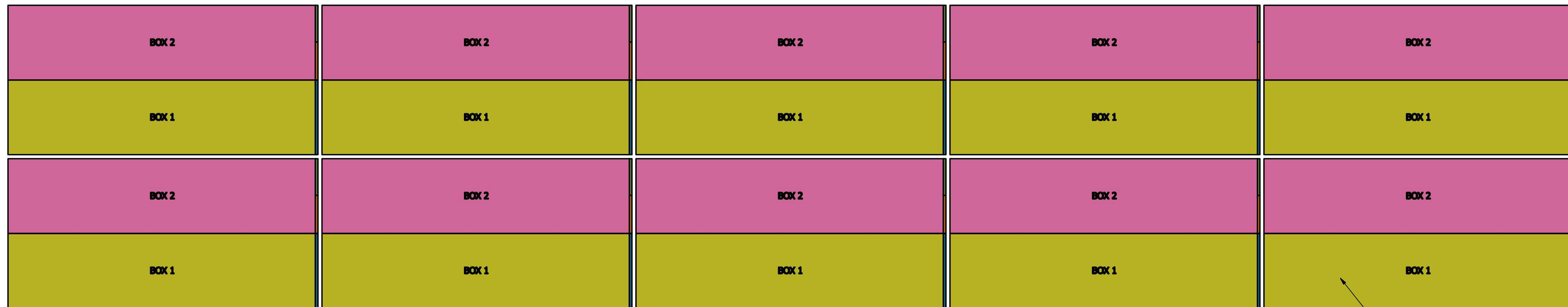


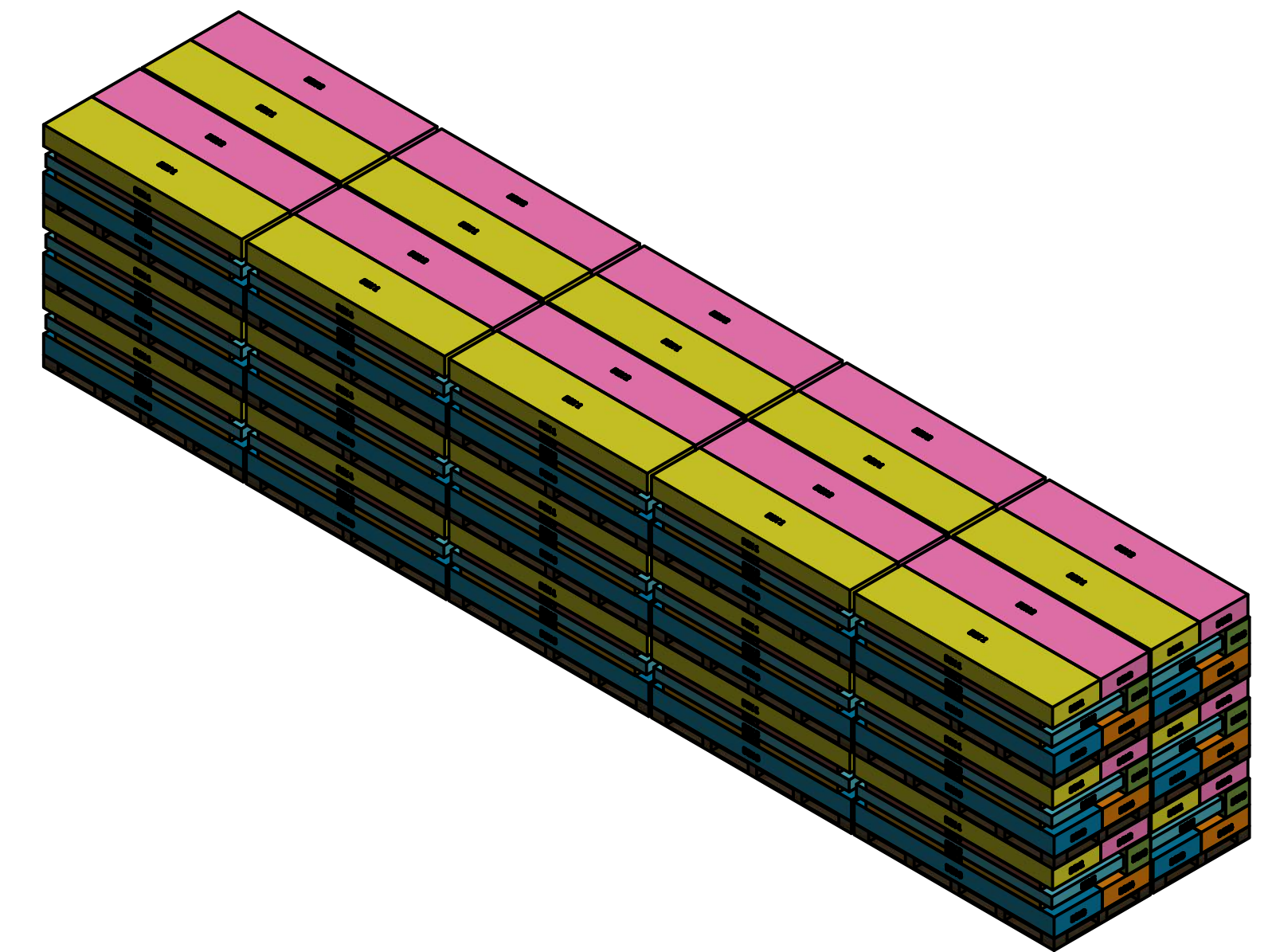
2406049 24x12 NORWOOD GAZEBO Container Loading Diagram

(1 set=8 boxes 30 sets/40HQ, 30 pallets/ 40HQ, Weight: 20880Kg)

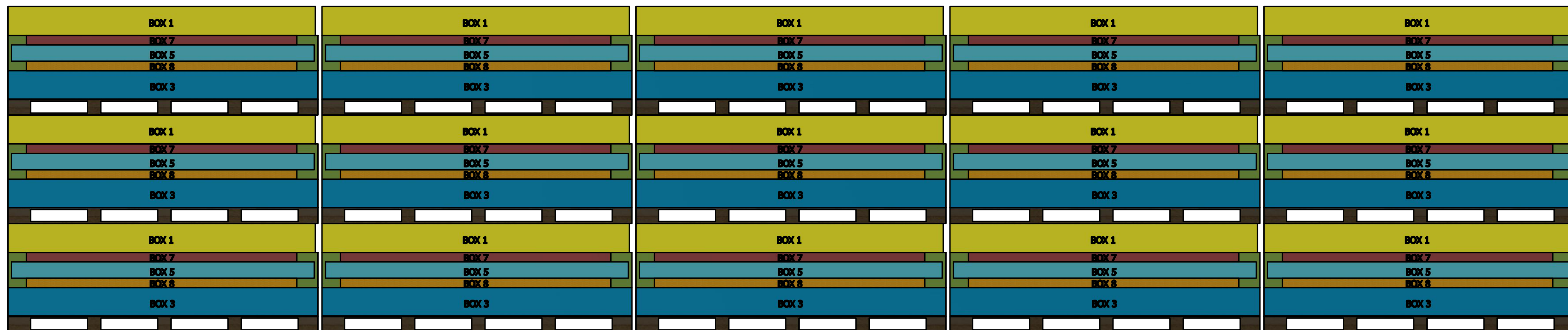
Top view



Pallet A * 30

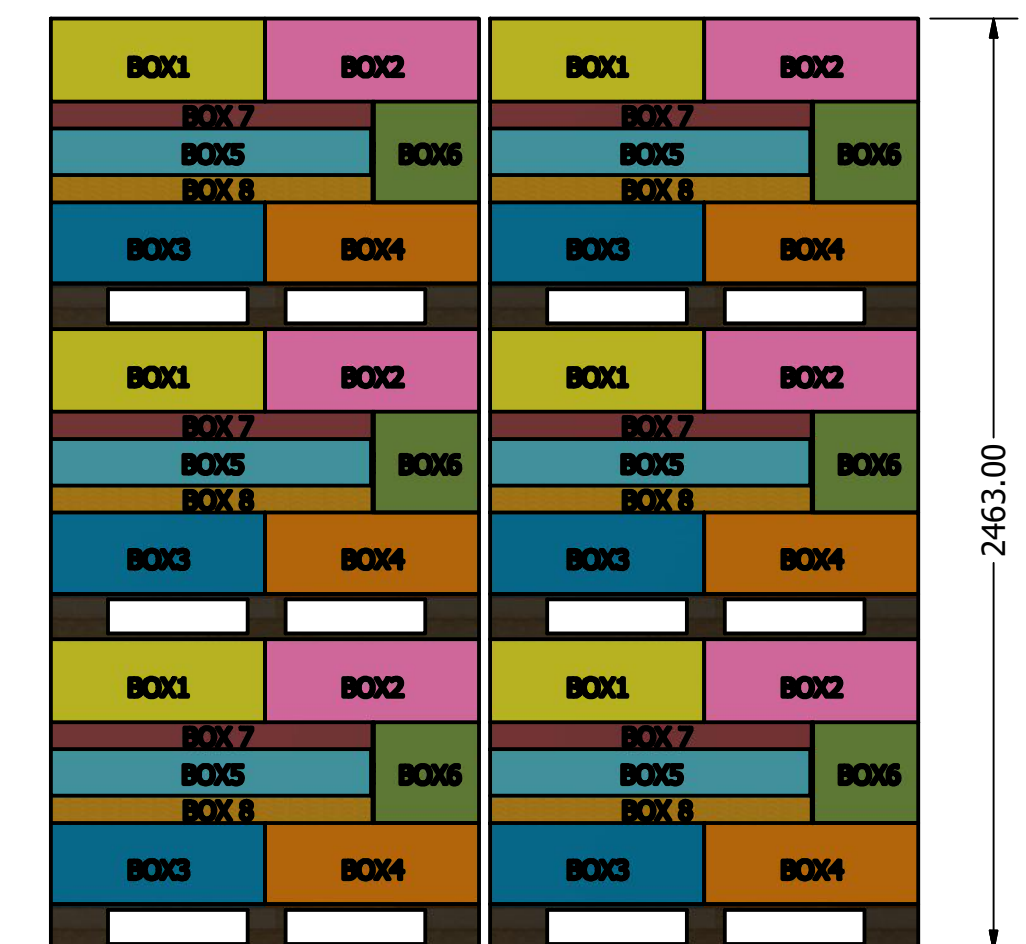


Side view



11750.00

End view

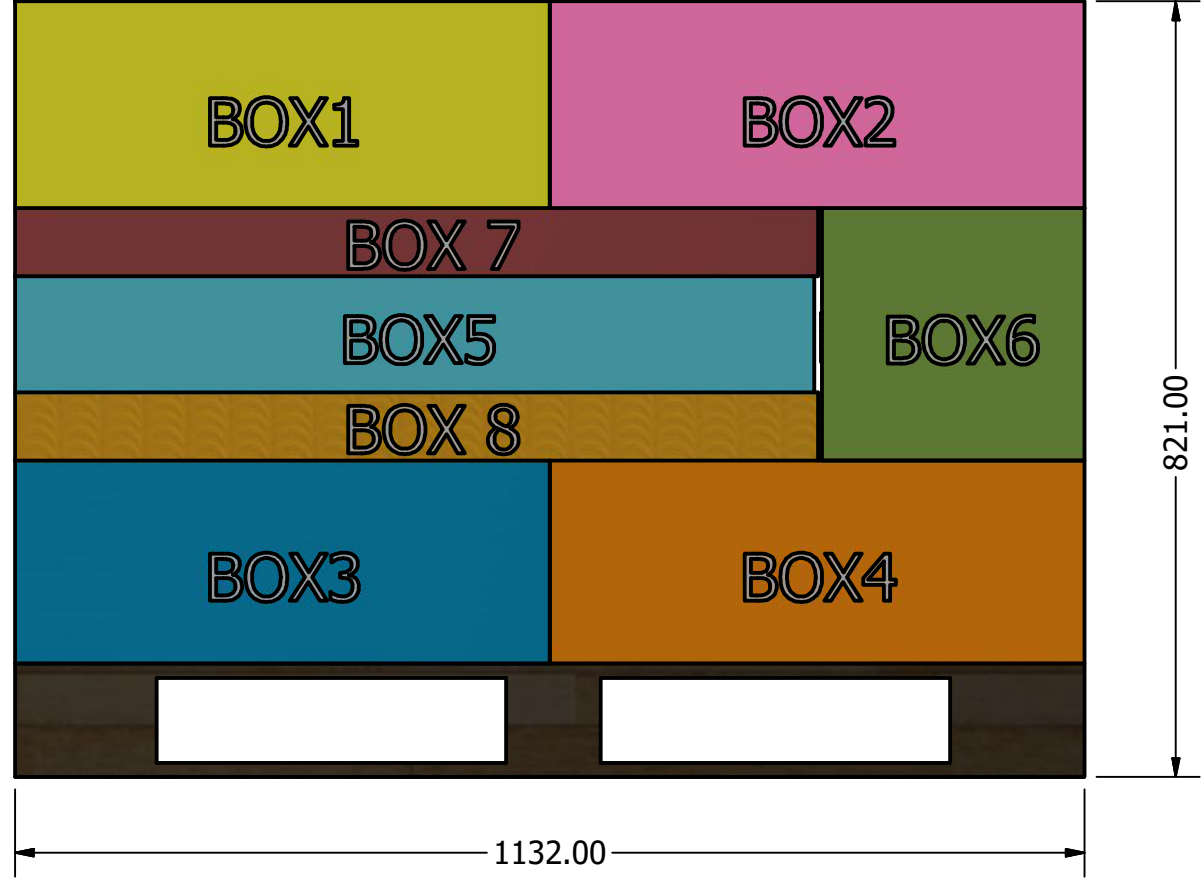
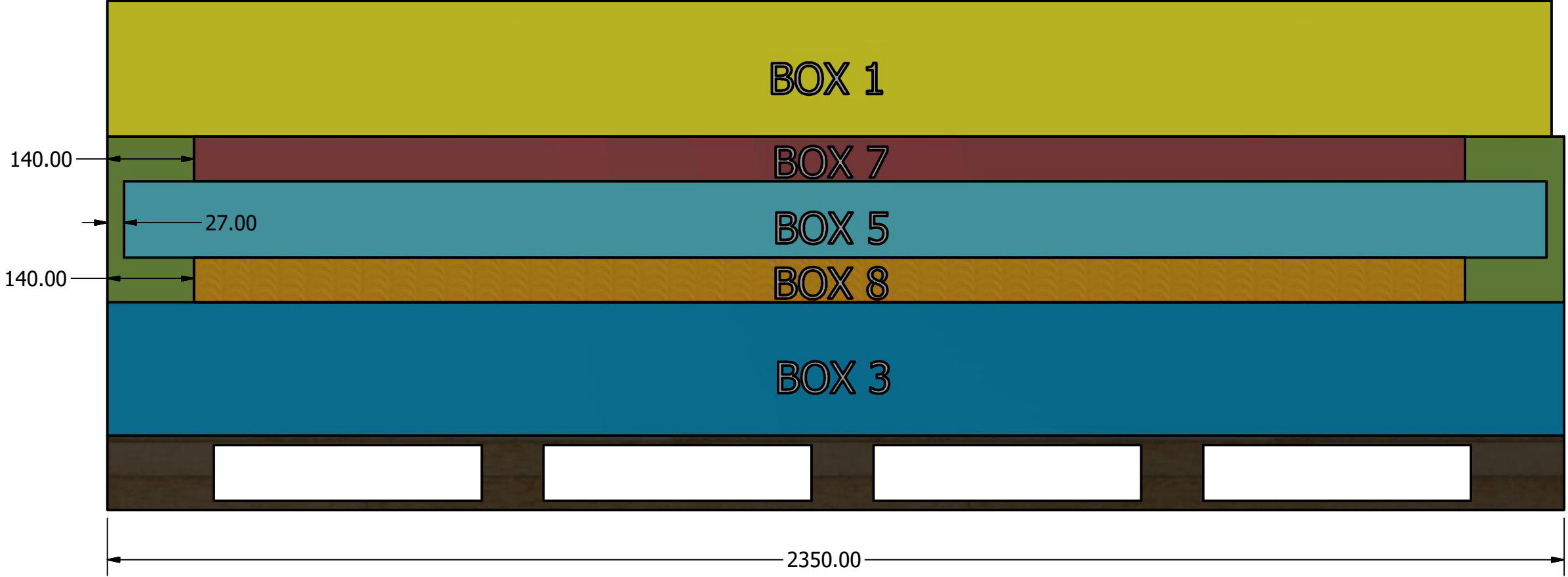
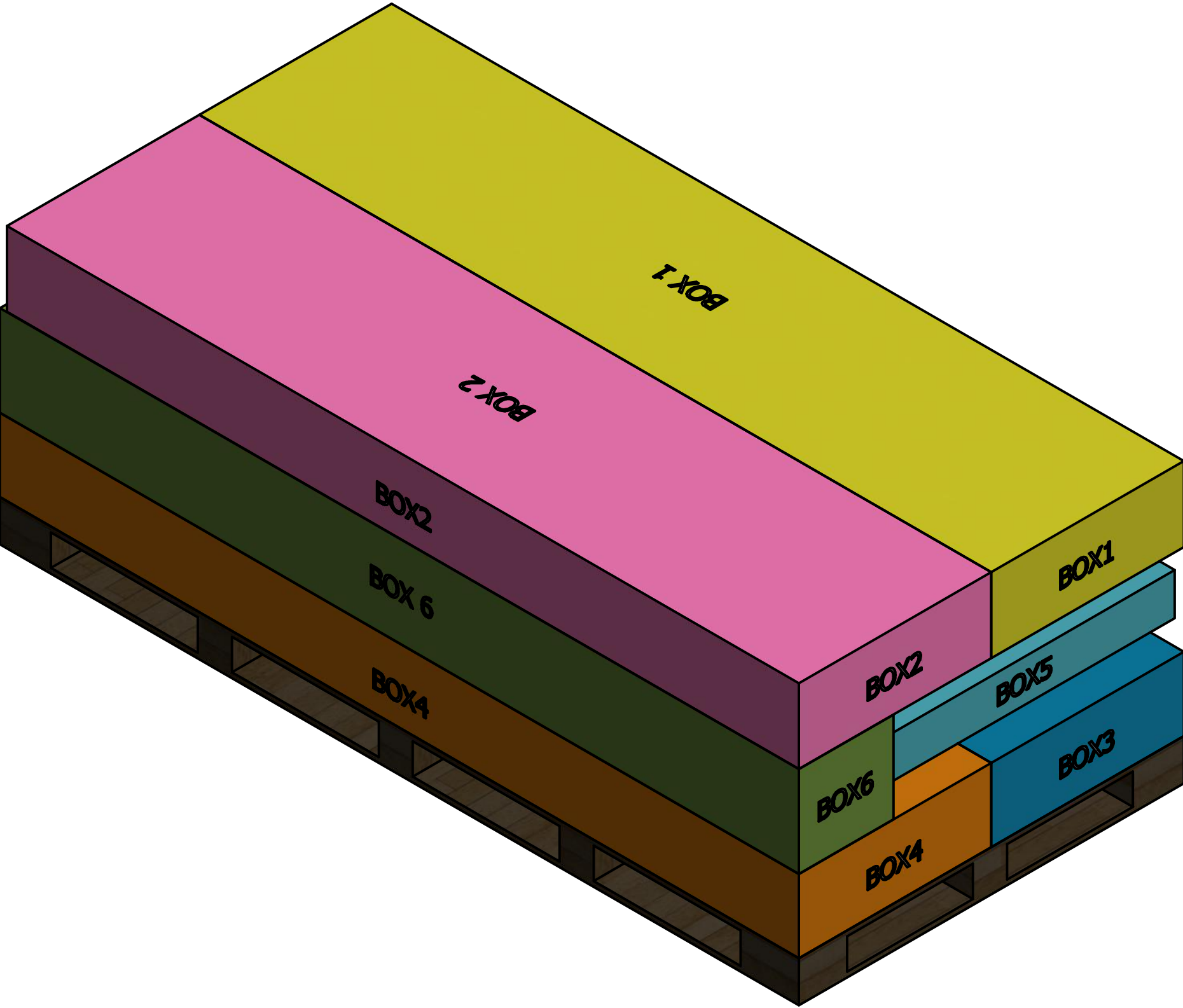
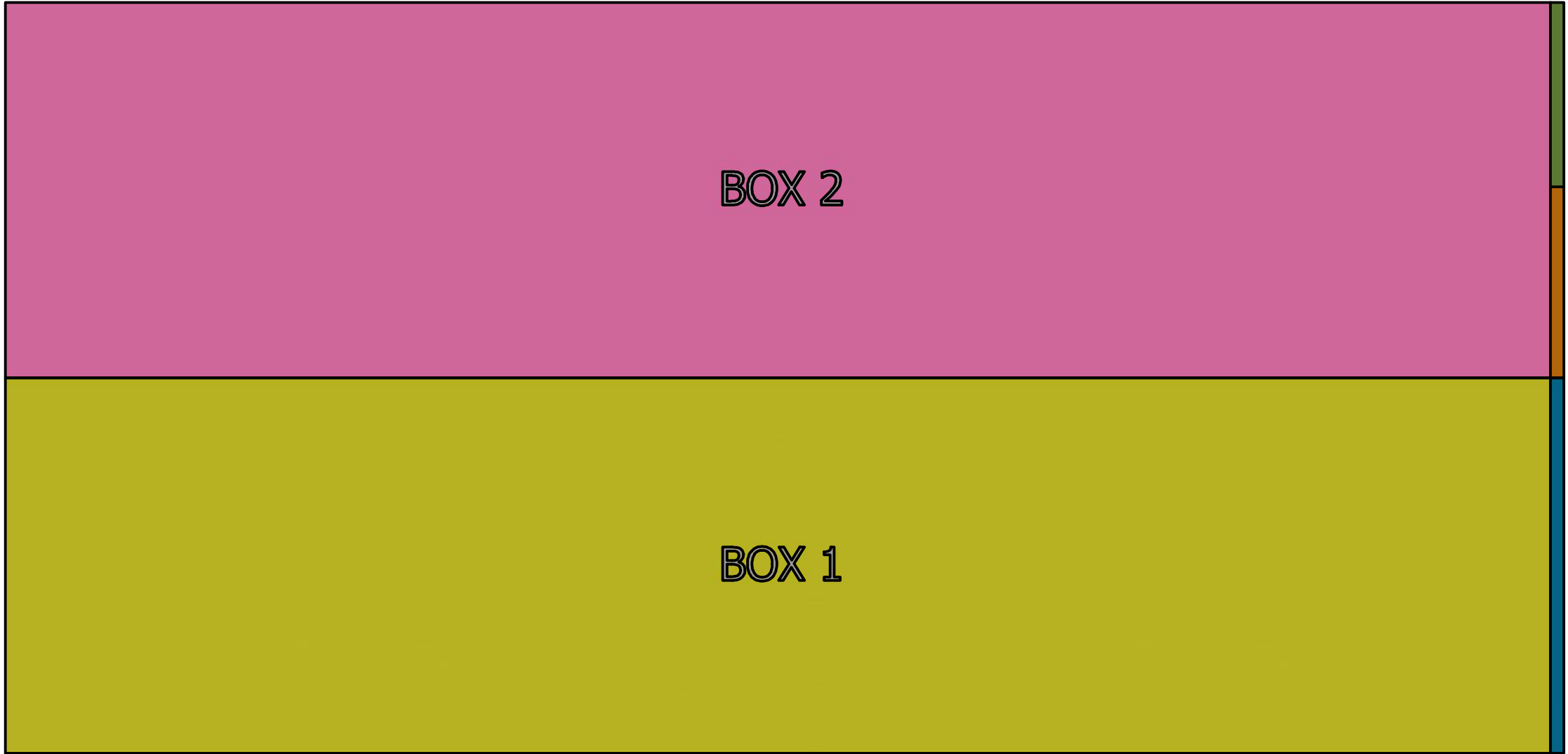


2463.00

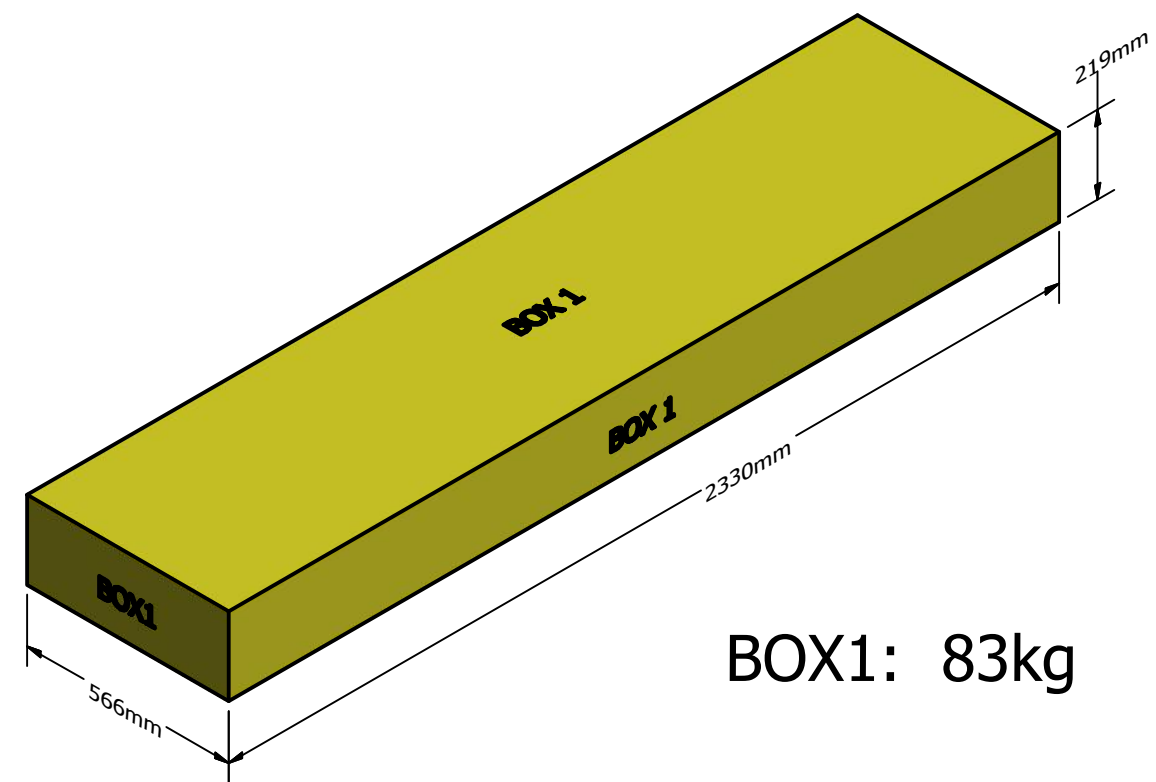
2264.00

DRAWN Rudy		TITLE		
CHECKED				
QA		DWG NO		
MFG				
APPROVED		SIZE D	REV	
		SCALE 1 / 20	SHEET 1 OF 1	

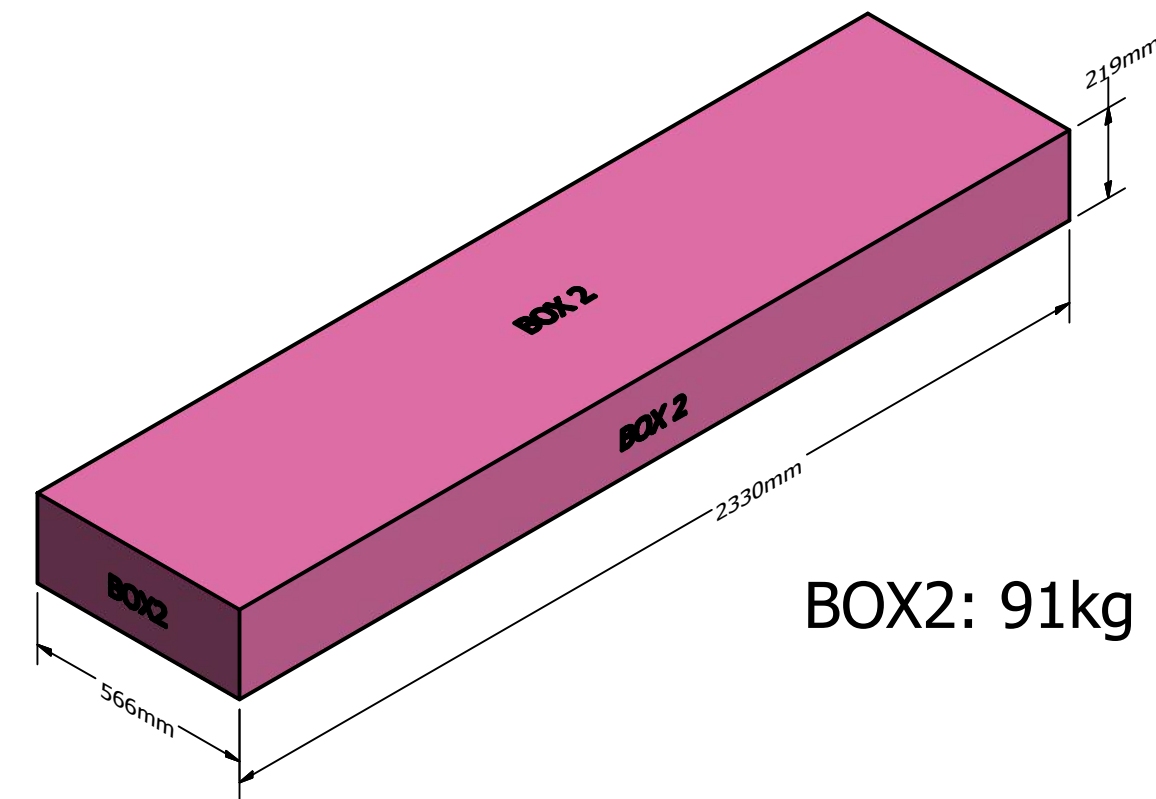
Pallet A (1 set/pallet)



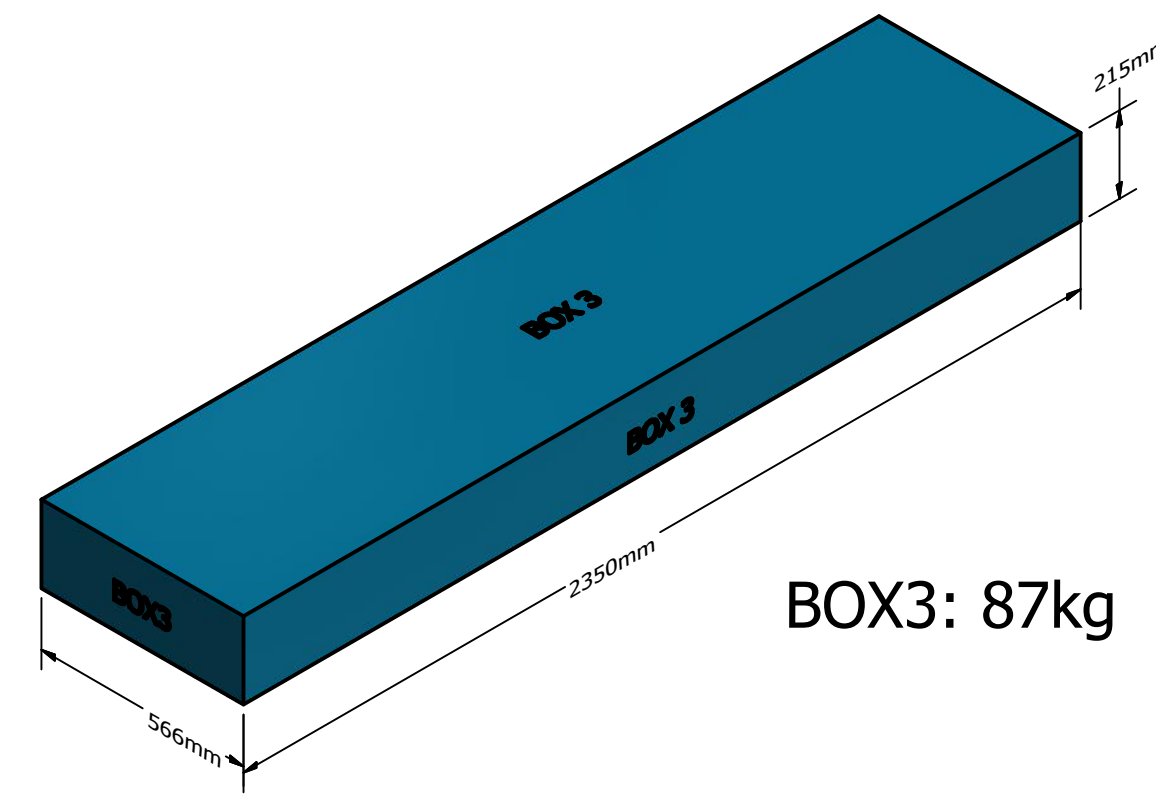
DRAWN Rudy	2019/8/19		
CHECKED		TITLE	
QA			
MFG			
APPROVED			
		SIZE D	DWG NO Pallet A
		SCALE 1: 8	REV
		SHEET 1 OF 1	



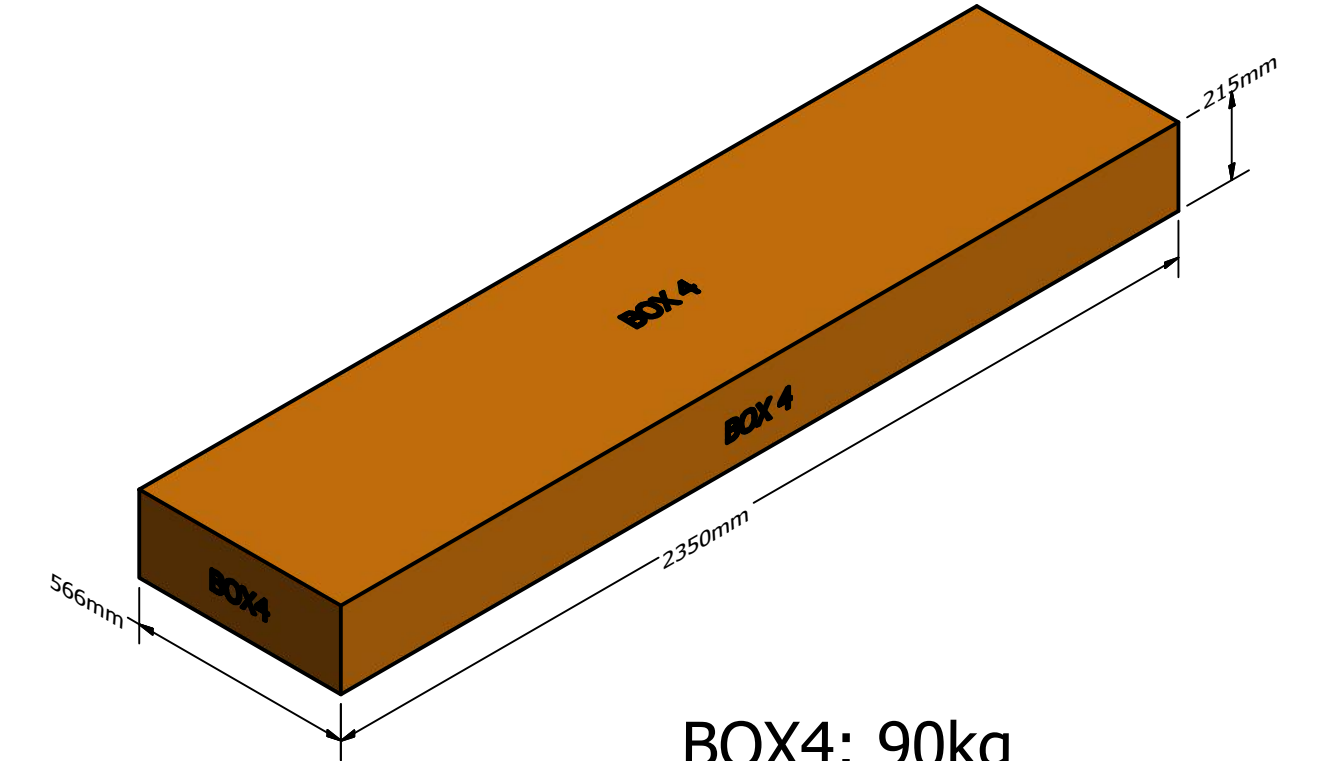
BOX1: 83kg



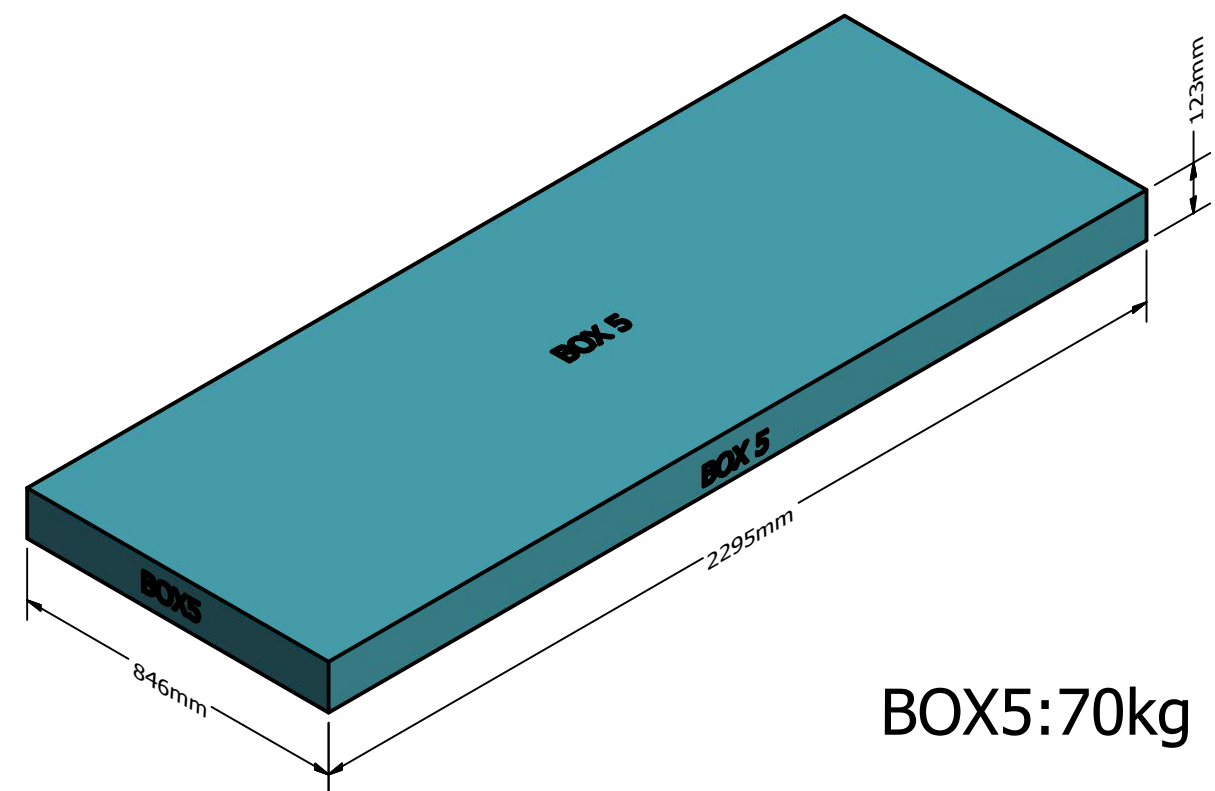
BOX2: 91kg



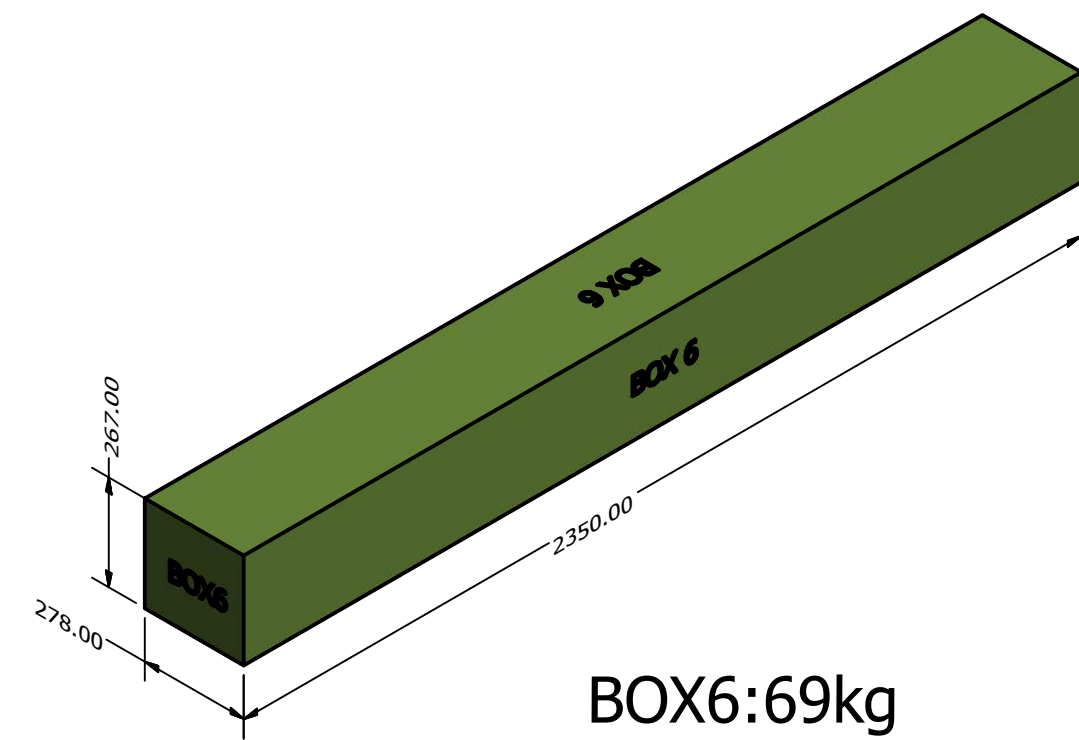
BOX3: 87kg



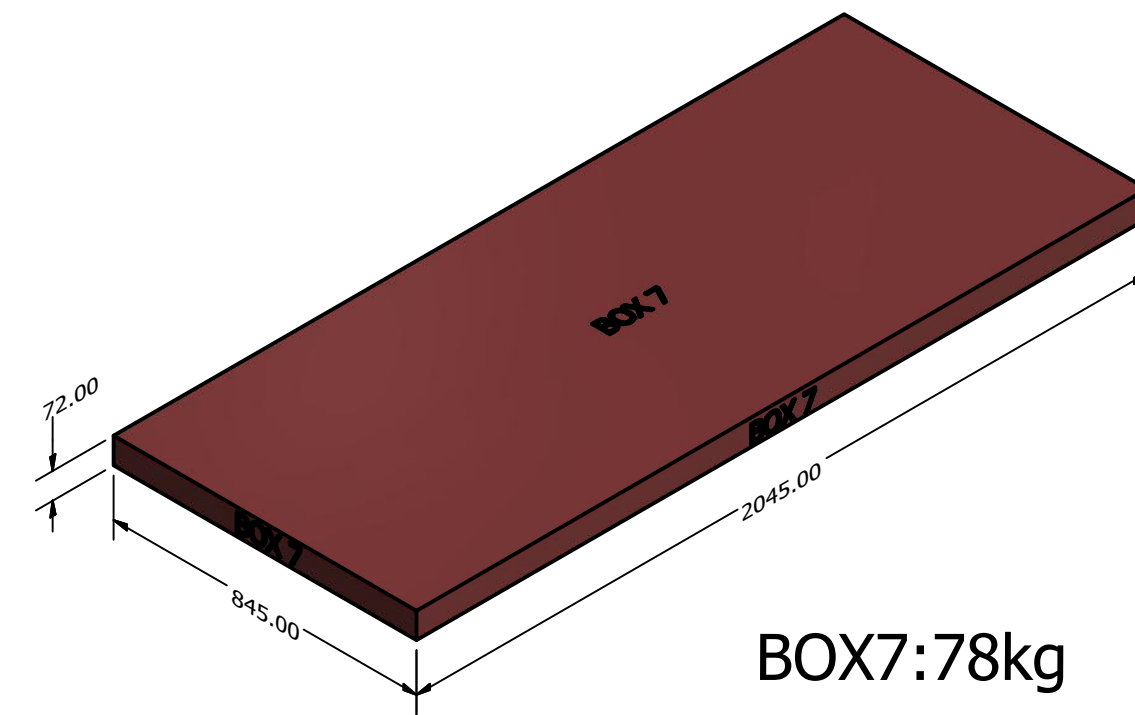
BOX4: 90kg



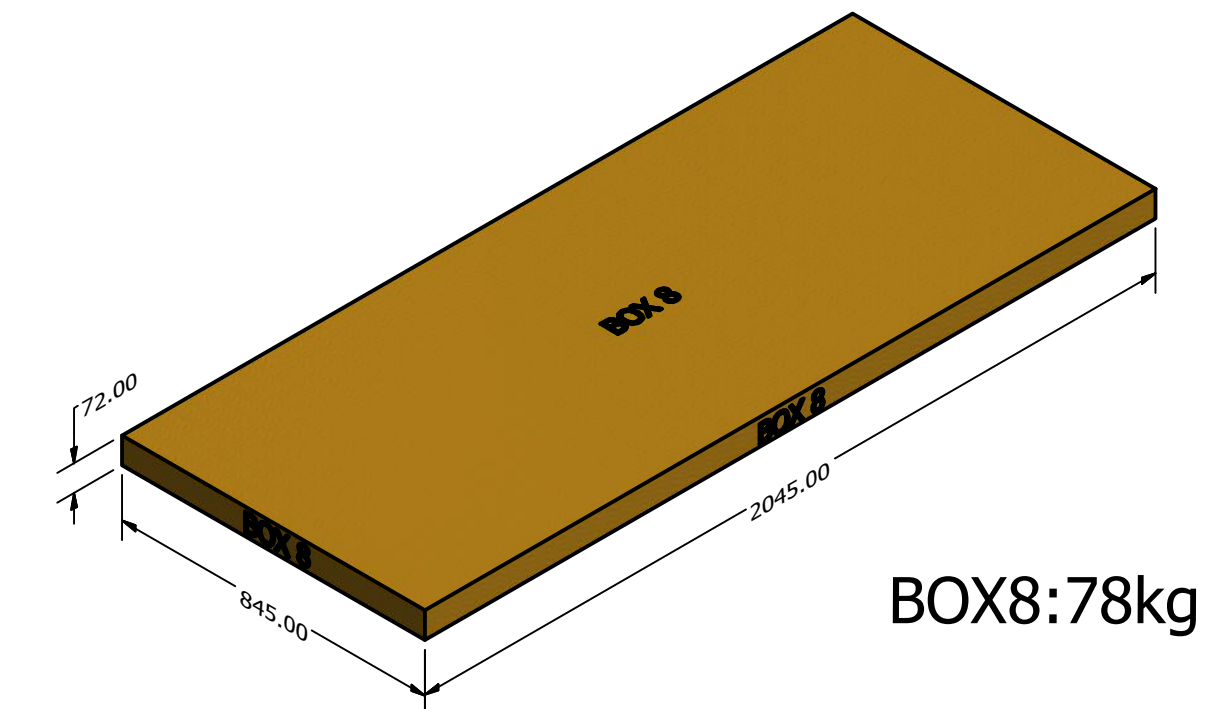
BOX5:70kg



BOX6:69kg



BOX7:78kg



BOX8:78kg

DRAWN Rudy	2019/8/19			
CHECKED		TITLE		
QA				
MFG				
APPROVED				
		SIZE D	DWG NO	REV
		SCALE 1 / 15	SHEET 1 OF 1	