



Manufactured by:  
Backyard Discovery  
3305 Airport Drive, Pittsburg, KS 66762  
800-856-4445

Basepoint Business Centre: Rivermead Drive, Westlea, Swindon SN5 7EX Phone: 0800-118-2476  
J.P. Coenstraat 7, The Bridge, The Hague, 2595 WP, Netherlands Phone: 08005678990

# 14x10 SARASOTA LOUVERED PERGOLA

## MODEL # : 2305052B / 2305052B-I



Please visit [www.backyarddiscovery.com](http://www.backyarddiscovery.com)  
For the most up to date assembly manual, to register your product, or to order replacement parts *Para obtener instrucciones en español, visite*  
[www.backyarddiscovery.com](http://www.backyarddiscovery.com)



EASY STEP-BY-STEP  
3D INTERACTIVE INSTRUCTIONS  
DOWNLOAD THE FREE APP



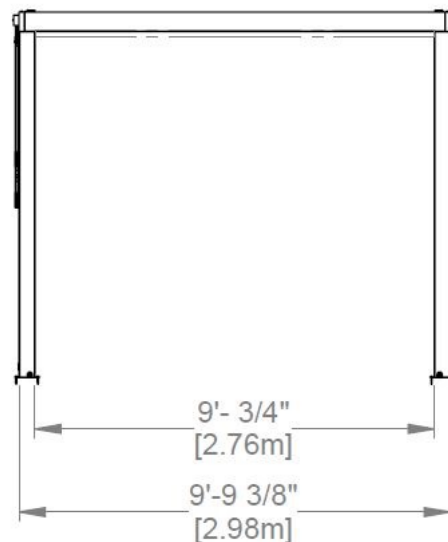
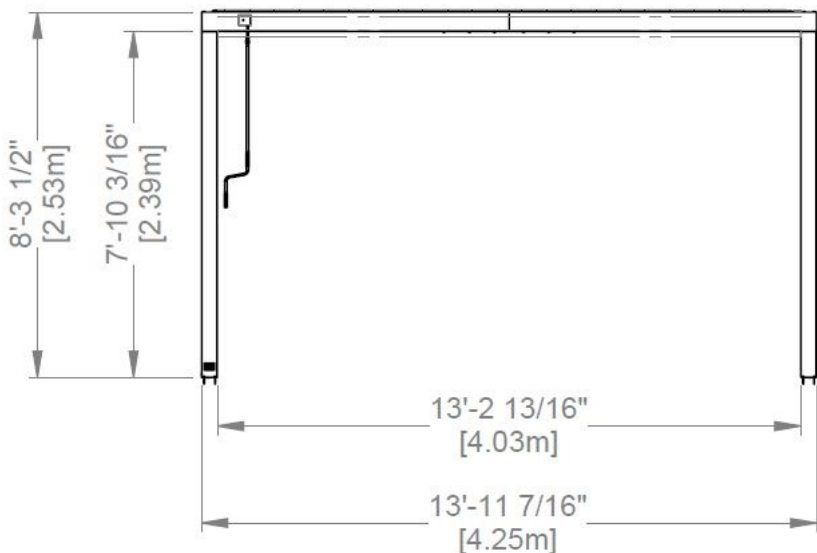
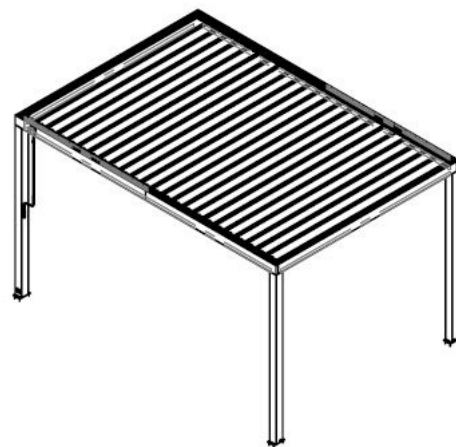
# OWNER'S MANUAL - BASIC SETUP DIMENSIONS & ASSEMBLY NOTES

It is critically important that you start with square and level footings, concrete pad or deck to attach your structure

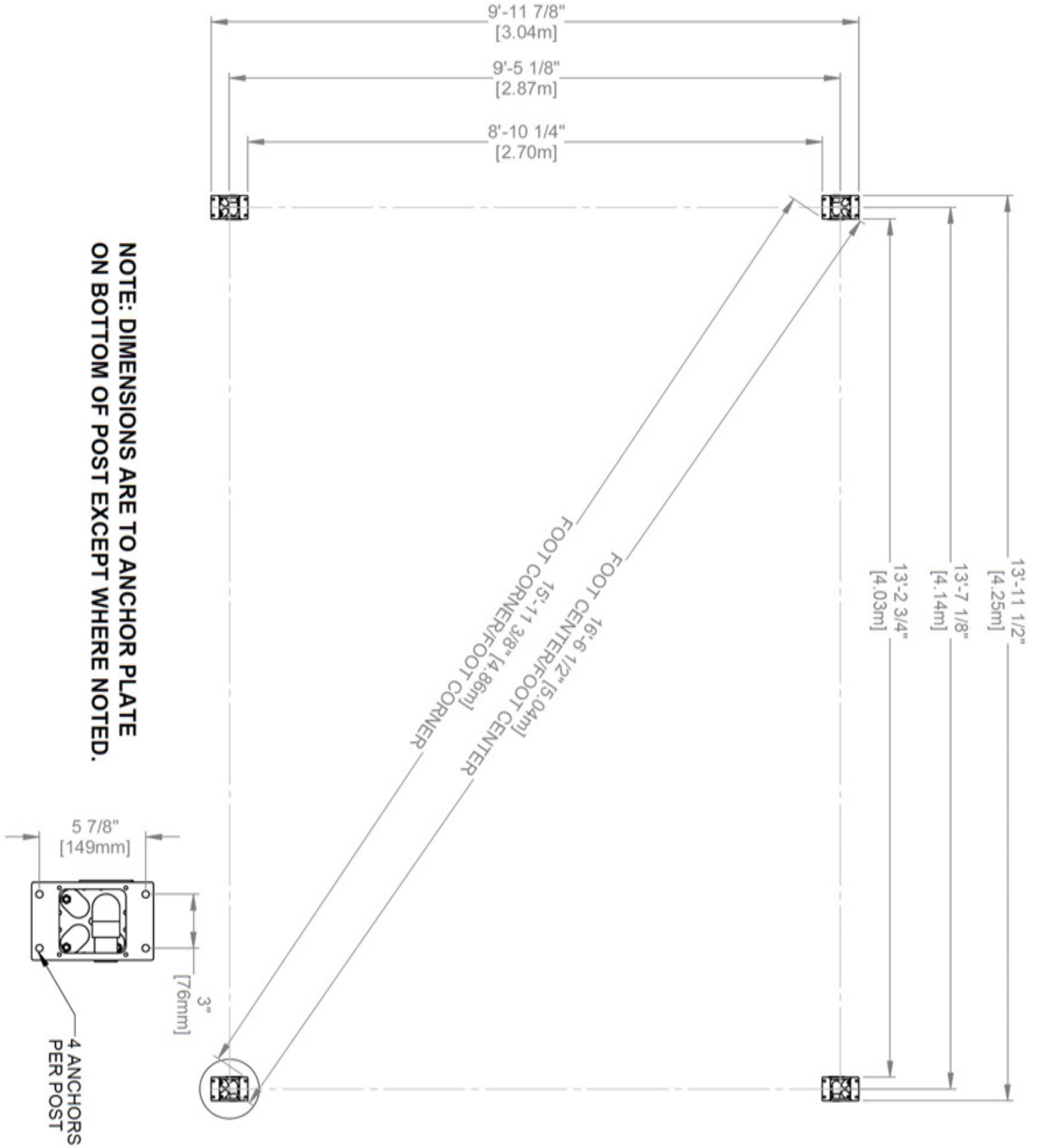
- Pay close attention to the items needed for each step. Make sure you are using the correct hardware for each step. Using incorrect hardware may result in improper assembly
- Remember to double check for underground utilities and overhead electrical lines

Post mounts are provided with your structure which allows you to permanently install your structure to a pre-existing or new wood or concrete surface. See Anchor Instructions for further details and recommendations.

- The hardware to attach the post mounts to the structure is included.
- The hardware to mount the structure permanently to a concrete surface is included.
- The hardware to mount the structure permanently to a wood deck is NOT included and will need to be purchased separately. You must ensure there is ample structural support under the deck before permanently attaching.

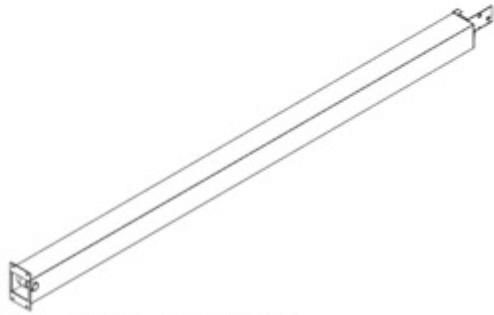


# OWNER'S MANUAL - ANCHORING LAYOUT

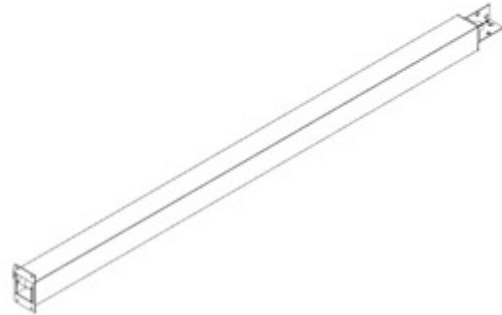


# OWNER'S MANUAL - PARTS IDENTIFICATION

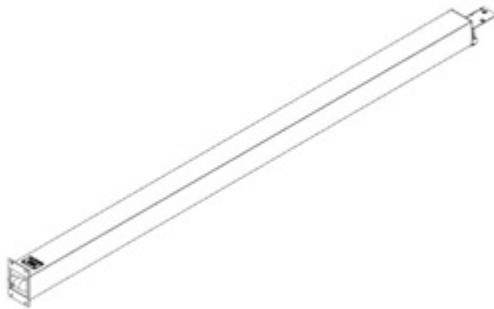
## METAL COMPONENTS (NOT TO SCALE)



P01 POST - A4M01983  
(x1) 4 5/16"x6 3/4"x99 1/2" (110x172x2527)



P02 POST - A4M01984  
(x2) 4 5/16"x6 3/4"x99 1/2" (110x172x2527)



P03 POST - A4M02131  
(x1) 4 5/16"x6 3/4"x99 1/2" (110x172x2527)



L01 LOUVER - A4M04137  
(x24) 1 11/16"x7 3/4"x114 5/16" (42x196x2904)



G01 GUTTER - A4M01993  
(x2) 1 9/16"x1 15/16"x108 7/8" (40x50x2765)



G04 GUTTER - A4M01999  
(x2) 1 9/16"x1 15/16"x79 7/16" (40x50x2017)



G03 GUTTER - A4M01998  
(x2) 1 9/16"x1 15/16"x79 7/16" (40x50x2017)



M01 LOUVER MOUNT - A4M01991  
(x2) 1"x1 15/16"x79 5/16" (25x49x2015)

# OWNER'S MANUAL - PARTS IDENTIFICATION

## METAL COMPONENTS (NOT TO SCALE)



M02 LOUVER MOUNT - A4M01992  
(x1) 1"x1 15/16"x79 5/16" (25x49x2015)



M03 LOUVER MOUNT - A4M01996  
(x1) 1"x1 15/16"x79 5/16" (25x49x2015)



F01 FLAT BAR - A4M02129  
(x4) 1/16"x1"x79 5/16" (2x25x2015)



F02 LOUVER TIE STRAP - A4M02130  
(x4) 1/8"x13/16"x81 9/16" (3x20x2072)



B01 BEAM - A4M01986  
(x2) 1 7/16"x5 1/4"x114 1/2" (36x134x2910)



B02 BEAM - A4M01988  
(x1) 1 7/16"x5 1/4"x83 11/16" (36x134x2126)



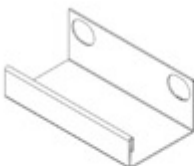
B03 BEAM - A4M01989  
(x2) 1 7/16"x5 1/4"x83 11/16" (36x134x2126)



B04 BEAM - A4M01990  
(x1) 1 7/16"x5 1/4"x83 11/16" (36x134x2126)



J1 SPLICE BRACKET - A4M02230  
(x2) 1 5/16"x5 3/16"x39 3/8" (33.2x131.2x1000)



G05 GUTTER SPLICE - A4M02004  
(x2) 1 7/16"x2 1/16"x3 15/16" (36x52.5x100)



F06 SPACER - A4M02227  
(x1) 1/16"x2 3/16"x2 3/4" (1.5x56x70)



A6P00796 SILICONE  
(x1)

# OWNER'S MANUAL - PARTS IDENTIFICATION

## METAL COMPONENTS (NOT TO SCALE)



L02 LOUVER DRIVE SIDE PLATE - A4M04139  
(x1) 1/16"x2 3/16"x6 9/16" (2x55x167)



L03 LOUVER SIDE PLATE - A4M04138  
(x47) 1/16"x2 3/16"x6 9/16" (2x55x167)



F05 KEY STOCK - A4M02226  
(x1) 1/2"x1/2"x3 3/4" (13x13x95)



F07 COVER - A4M02228  
(x1) 1 9/16"x2 7/8"x3 1/4" (39.5x73x82)



F04 LINKAGE STRAP - A4M02225  
(x1) 1/8"x13/16"x2 5/8" (3x20x66)



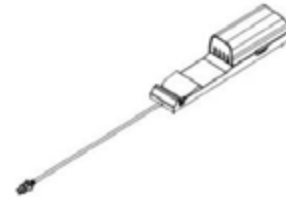
F03 LINKAGE STRAP - A4M02229  
(x1) 1/2"x11/16"x3 13/16" (13x17x97)



L04 LOUVER MECHANISM  
(x1) A4M02132



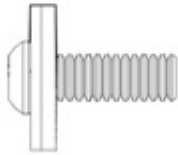
H01 HANDLE  
(x1) A4M04022



9205413 ELECTRICAL  
(x1) ENCLOSURE

# OWNER'S MANUAL - PARTS IDENTIFICATION

## HARDWARE COMPONENTS (NOT TO SCALE)



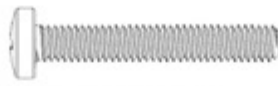
H101202 TORX PAN HEAD  
(x120) 1/4-20x3/4" ASSY



H101101 TORX PAN HEAD  
(x1) 1/4-20x3/4" BLK



H101126 TORX PAN HEAD  
(x4) 1/4-20x2 1/8" BLK



H101187 BOLT PPH  
(x1) 8-32x1 1/8" BLK



H101189 LOW PROFILE SHOULDER BOLT  
(x2) 1/4-20x3/8" BLK



H100408 SCREW PWH  
(x96) 8x1/2 BLK



H100120 CONCRETE ANCHOR  
(x16)



H101230 BOLT WH  
(x16) 5/16x6 S.S



H101161 COTTER PIN  
(x48)



H100474 WASHER FLAT  
(x5) 9x19 BLK



H100630 WASHER FLAT  
(x16) 8x19 BLK



H100653 NUT LOCK  
(x2) 1/4 BLK



H100774 WASHER SPLIT  
(x1) 1/4 BLK



H100147 TORX BIT  
(x1) T-30



H100114 TORX WRENCH  
(x1) T-30



H101100 MAGNETIC DRIVER  
(x1)



H101114 RIGHT ANGLE DRILL ADAPTER  
(x1)

# PRE-ASSEMBLY STEP 1 - SORTING PARTS

It is critical for ease of assembly that you take the time to sort and organize the parts and hardware.

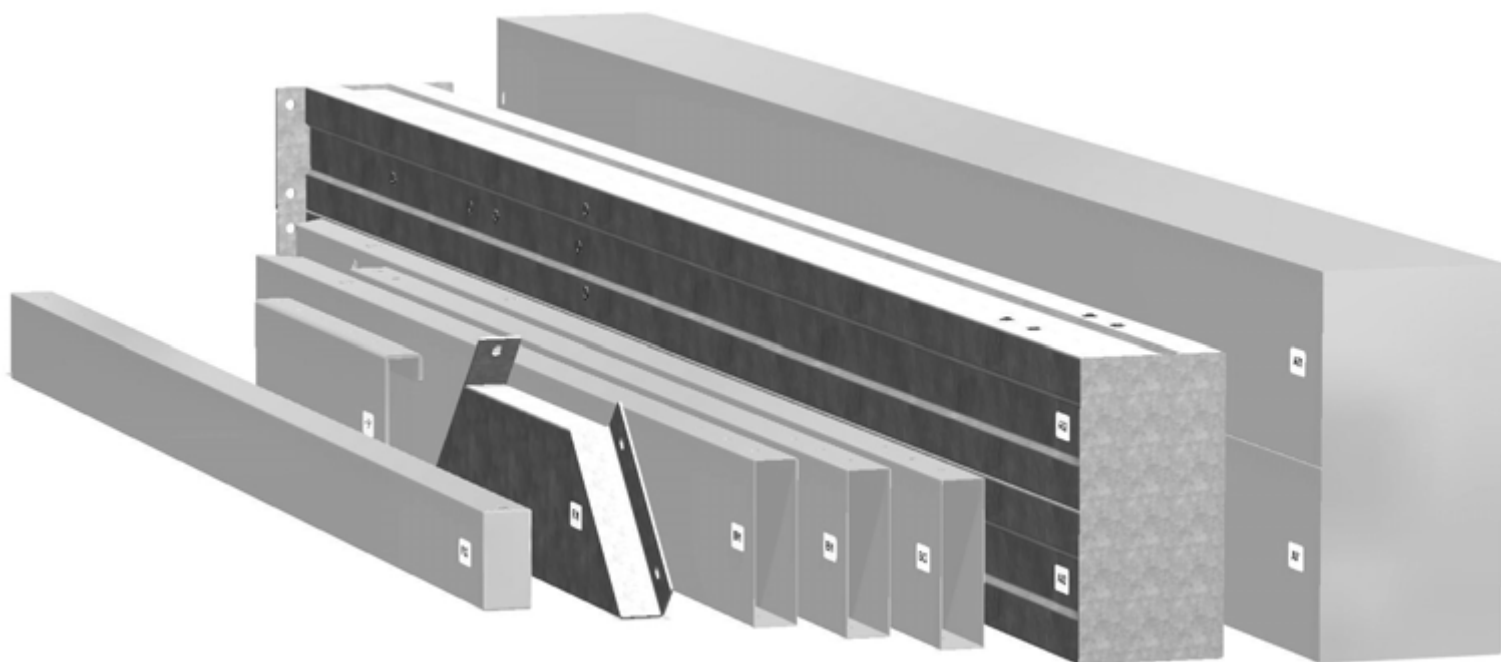
---

## METAL PARTS:

- Organize metal parts by the three-digit, alpha-numeric number stamped on each part (ex. P01).
- If there are multiple parts with the same stamped number, stack those pieces together.
- Stamps can be found on the flat surface of the parts or on the end of the parts.
- Allow yourself plenty of room - the parts can take up a significant amount of space.

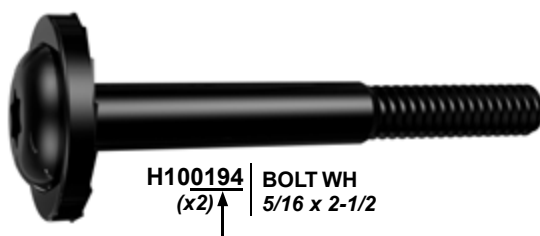
**NOTE: CARTONS ARE NOT ORGANIZED BY PART NUMBER.**

**IT IS RECOMMENDED TO LEAVE LOUVER ASSEMBLIES IN BOX UNTIL NEEDED.**



## HARDWARE PARTS:

- We recommend that you have a separate table to organize the hardware.
- Hardware bags are printed with a seven-digit, alpha-numeric part number.
- You can organize your hardware by part number or group by hardware type (i.e. bolts, nuts, etc.).
- During assembly you only need to reference the last four digits of the number.



# PRE-ASSEMBLY STEP 2 - TOOLS REQUIRED



Cordless Drill or Electric Drill



Drill Attachments:  
Phillips Head



1/8", 3/16", 3/8" &  
7/16" Drill Bits



Phillips Screw Driver



Open End Wrench  
7/16"



3/8" Drive Ratchet, 1/2" &  
7/16" STD Sockets 1/2" & 7/16"  
Deep Sockets



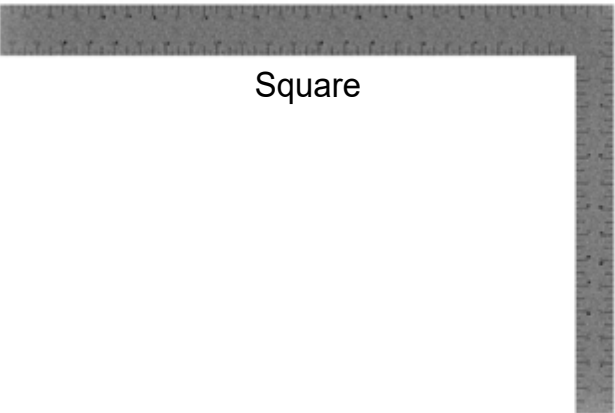
Claw Hammer



Rubber Mallet -  
Optional



Tape Measure



Square

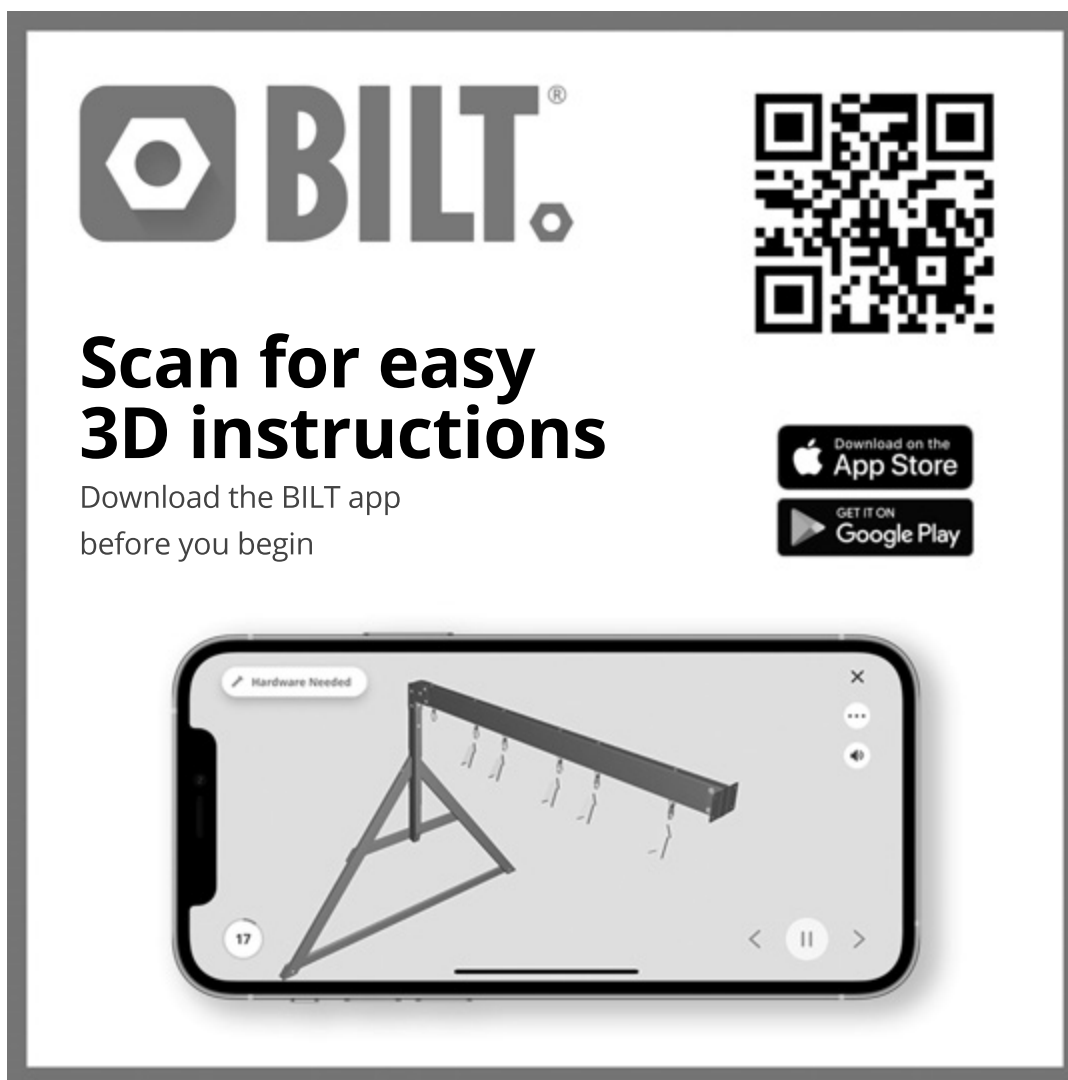


Level 24"

# PRE-ASSEMBLY STEP 3 - CHOOSE YOUR ASSEMBLY METHOD

There are several types of assembly instructions available to you.

1. Printed Assembly Manual included with your set
2. BILT APP - 3D interactive instructions
3. Combination of the Printed Manual and BILT APP (Note: Step numbers can differ between the two methods)



The graphic features the BILT logo (a hexagon with a bolt head inside) and the word "BILT." in a bold, sans-serif font. To the right is a large QR code. Below the logo, the text "Scan for easy 3D instructions" is written in a large, bold font. Underneath that, it says "Download the BILT app before you begin". To the right of this text are two buttons: "Download on the App Store" and "GET IT ON Google Play". At the bottom, a smartphone screen displays a 3D assembly instruction for step 17, showing a metal frame with a horizontal beam and several bolts being attached. The screen has a "Hardware Needed" label at the top left, a close button (X) at the top right, and navigation arrows at the bottom.

# STEP 1 - BEAM ASSEMBLY

QTY	PartNo	Description
6	H101202	TORX PAN HEAD 1/4-20x3/4 ASSY



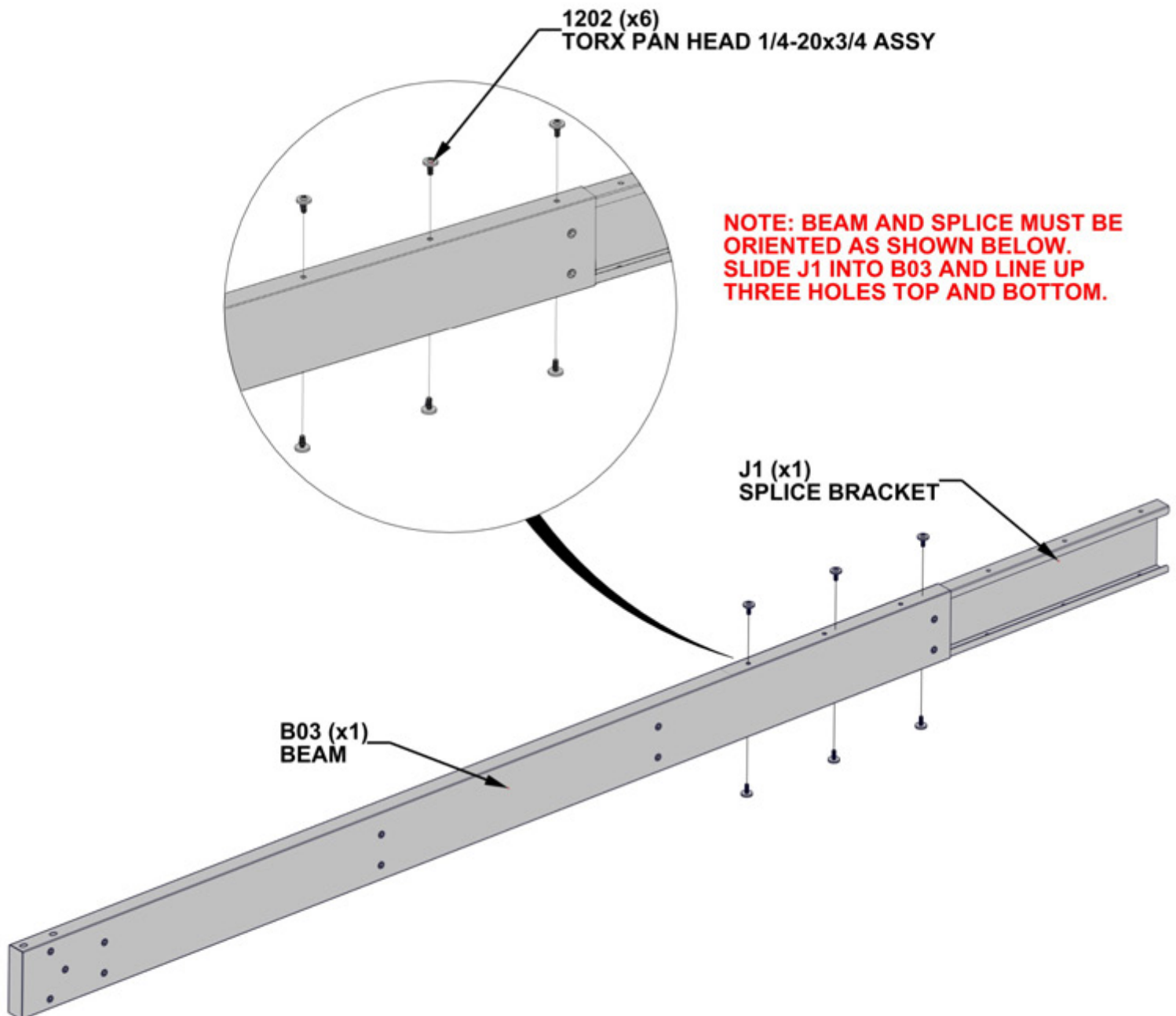
B03 BEAM - A4M01989  
(x1) 1 7/16"x5 1/4"x83 11/16" (36x134x2126)



J1 SPLICE BRACKET - A4M02230  
(x1) 1 5/16"x5 3/16"x39 3/8" (33.2x131.2x1000)

**DO NOT TIGHTEN HARDWARE AT THIS STEP**

FOR EASE OF ASSEMBLY, WE RECOMMEND USING SAW HORSES FOR STEPS 1 - 7



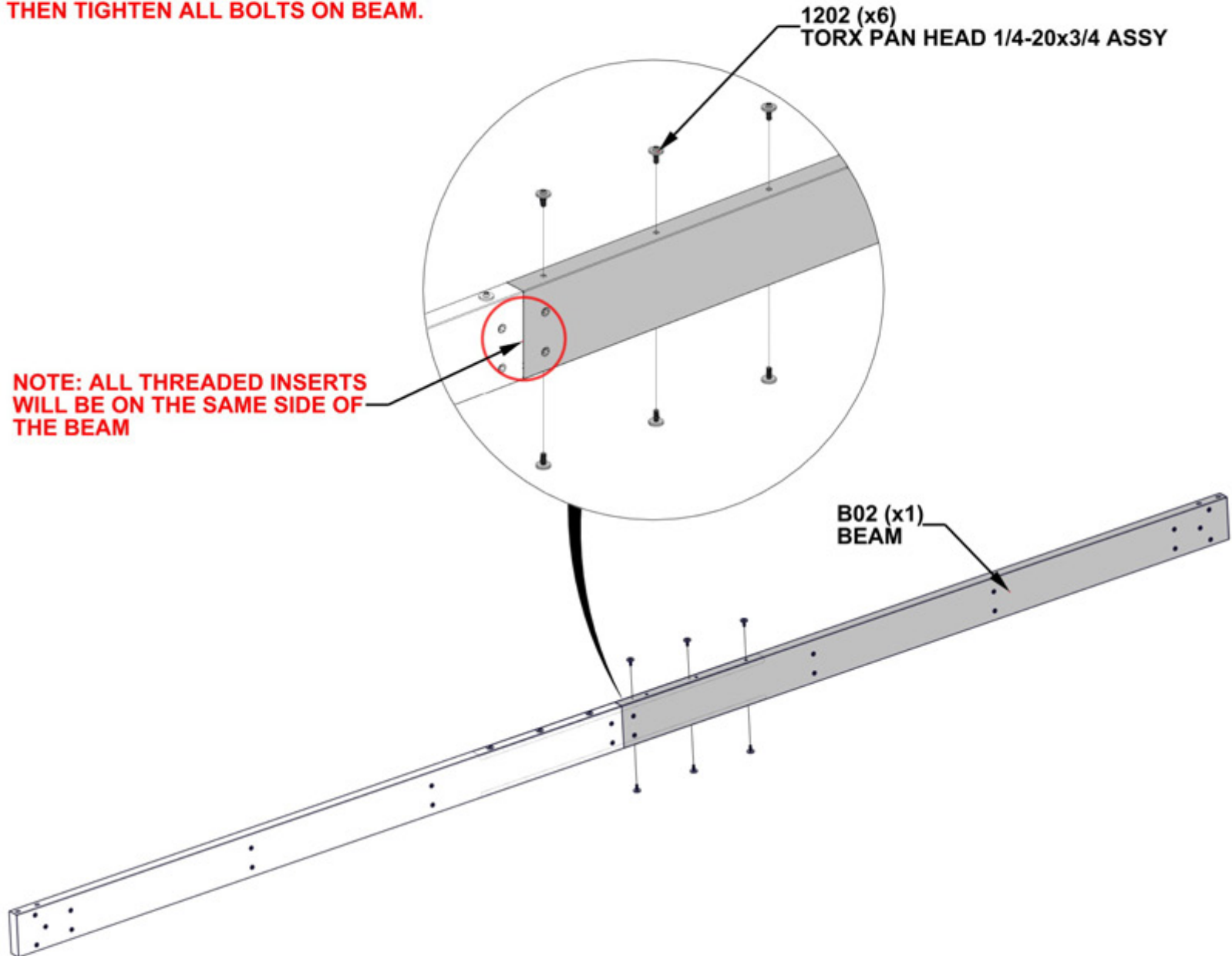
# STEP 2 - BEAM ASSEMBLY

QTY	PartNo	Description
6	H101202	TORX PAN HEAD 1/4-20x3/4 ASSY



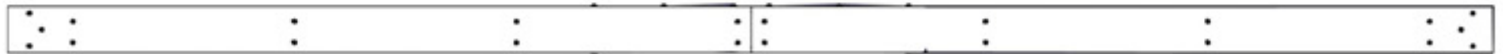
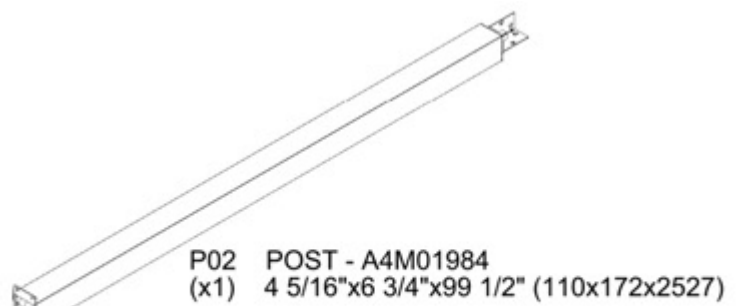
B02 BEAM - A4M01988  
(x1) 1 7/16"x5 1/4"x83 11/16" (36x134x2126)

**SLIDE B02 INTO SPLICE BRACKET.  
GENTLY TAP ENDS OF ASSEMBLY WITH  
RUBBER Mallet UNTIL GAP CLOSES,  
THEN TIGHTEN ALL BOLTS ON BEAM.**



# STEP 3A - FRAME ASSEMBLY

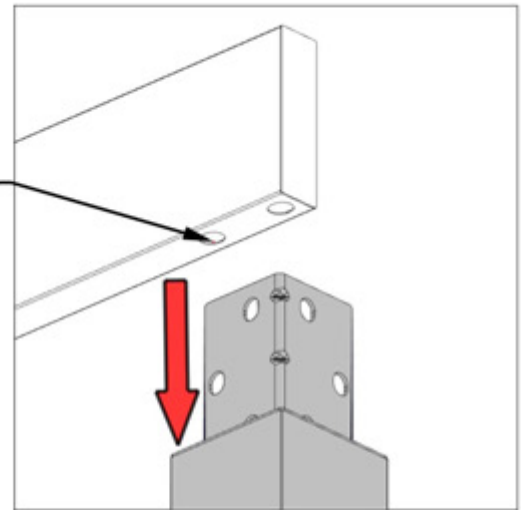
QTY	PartNo	Description
2	H101230	BOLT WH 5/16x6 S.S.



BEAM ASSEMBLY  
STEP 1 - 2

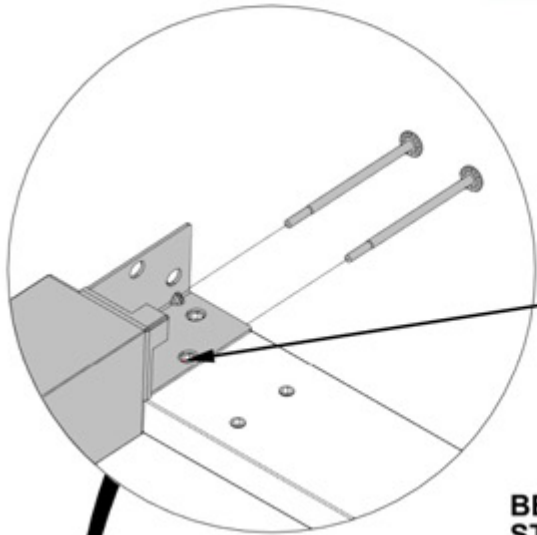
**ATTACH BEAM ASSEMBLY TO POST BY ALIGNING SLOTS IN BEAM WITH THREADED INSERTS ON TOP POST PLATE. FLUSH ALL SIDES OF BEAM AND POST BEFORE TIGHTENING HARDWARE.**

**NOTE: LARGE SLOTS INDICATE BOTTOM SURFACE OF BEAM. SLOTS WILL FIT AROUND THREADED INSERTS IN POST PLATE.**

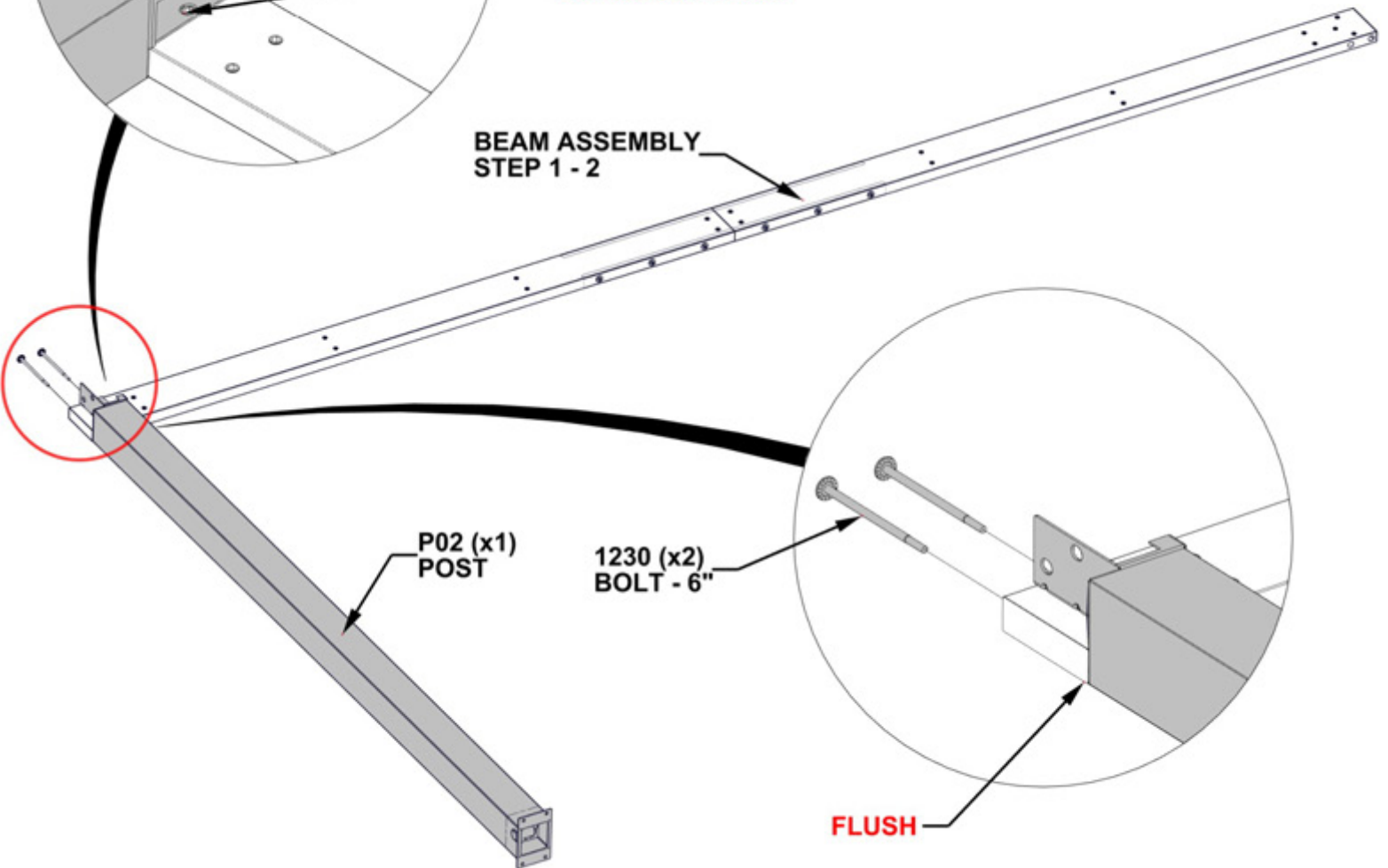


BACK VIEW

**NOTE: POST BRACKET WILL FIT AROUND THREADED INSERTS IN BEAM**



BEAM ASSEMBLY  
STEP 1 - 2



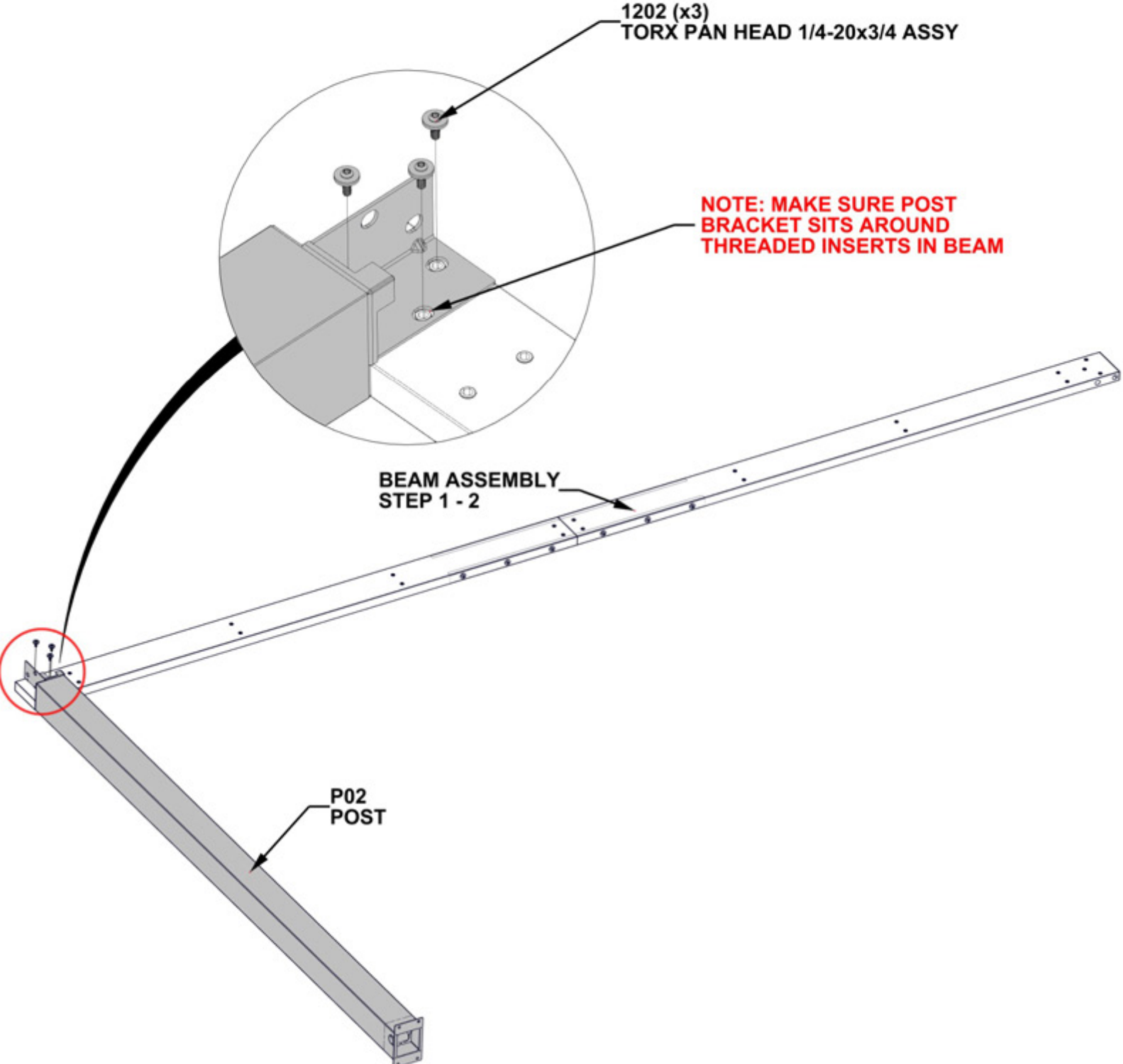
P02 (x1)  
POST

1230 (x2)  
BOLT - 6"

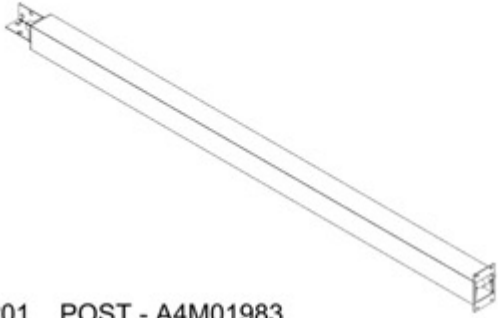
FLUSH

# STEP 3B - FRAME ASSEMBLY

QTY	PartNo	Description
3	H101202	TORX PAN HEAD 1/4-20x3/4 ASSY



# STEP 4A - FRAME ASSEMBLY

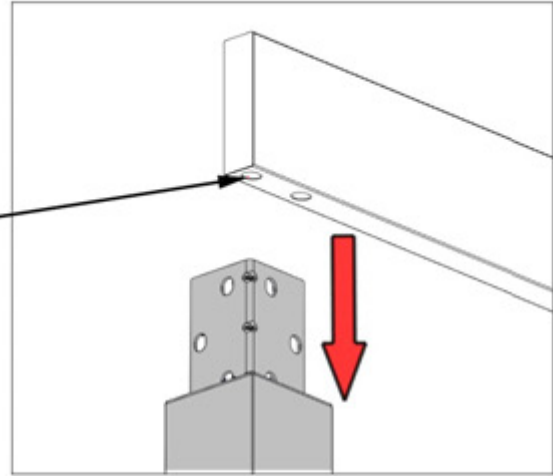


QTY	PartNo	Description
2	H101230	BOLT WH 5/16x6 S.S.

P01 POST - A4M01983  
(x1) 4 5/16"x6 3/4"x99 1/2" (110x172x2527)

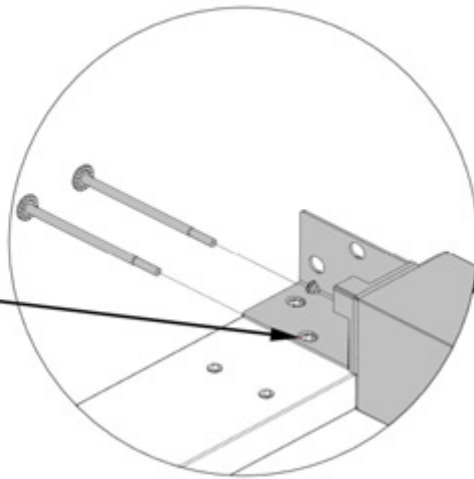
**ATTACH BEAM TO POST BY ALIGNING SLOTS IN BEAM WITH THREADED INSERTS ON TOP POST PLATE. FLUSH ALL SIDES OF BEAM AND POST BEFORE TIGHTENING HARDWARE.**

**NOTE: LARGE SLOTS INDICATE BOTTOM SURFACE OF BEAM. SLOTS WILL FIT AROUND THREADED INSERTS IN POST PLATE.**



BACK VIEW

**NOTE: POST BRACKET WILL FIT AROUND THREADED INSERTS IN BEAM**

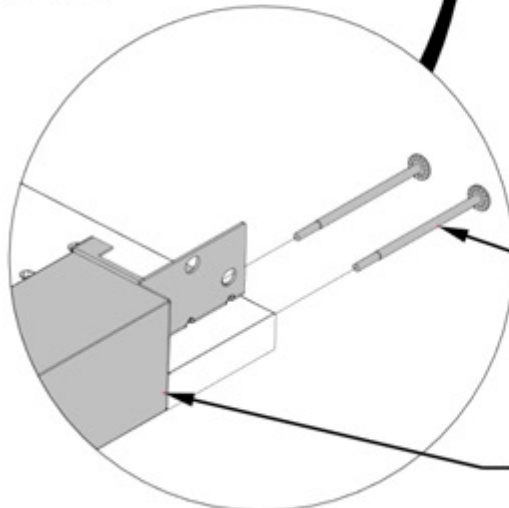


BEAM ASSEMBLY STEP 1 - 2

P02 POST

P01 (x1) POST

1230 (x2) BOLT - 6"



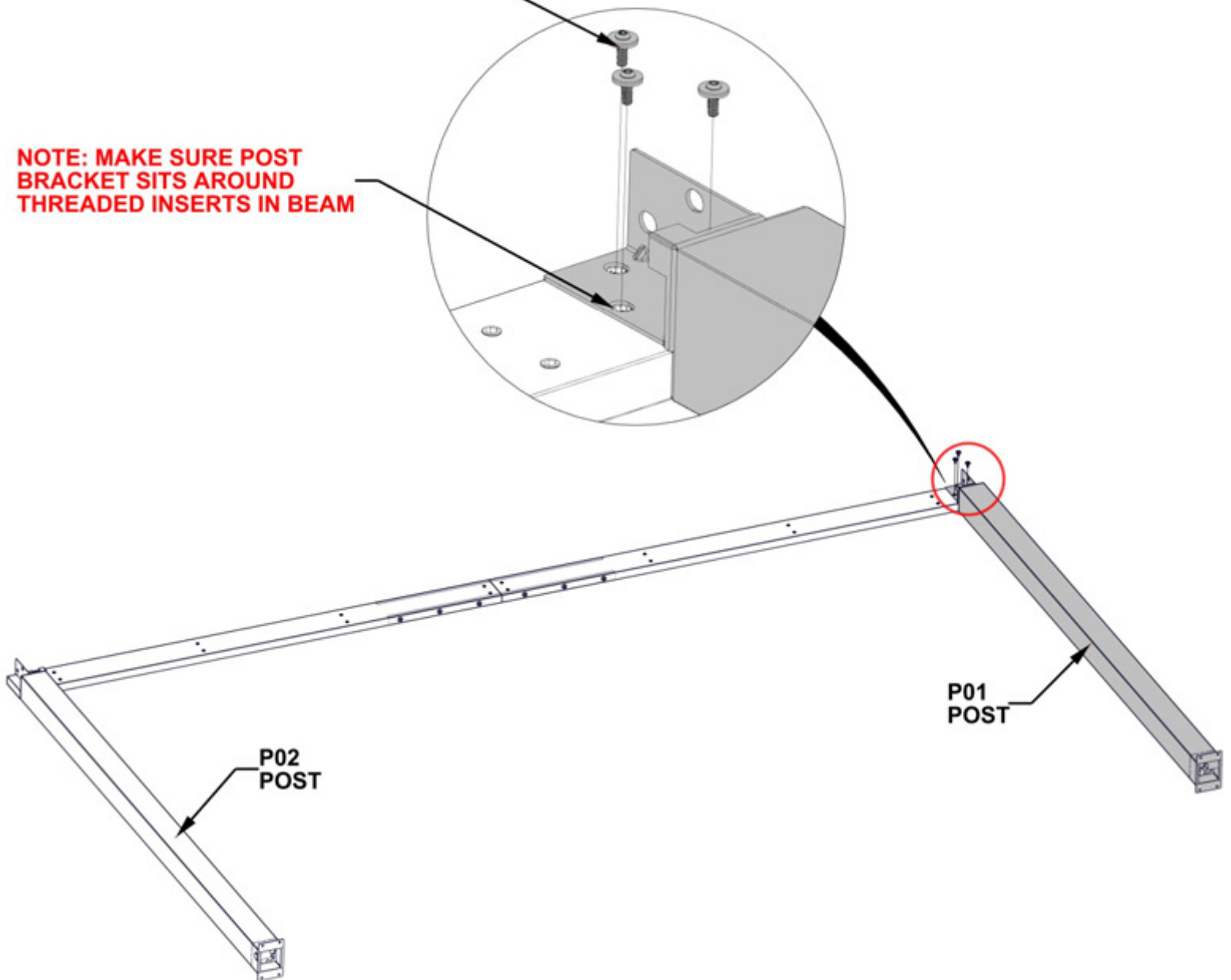
FLUSH

# STEP 4B - FRAME ASSEMBLY

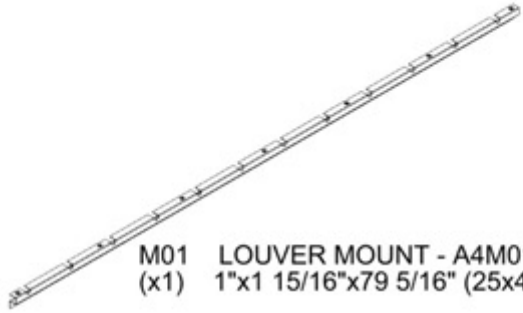
QTY	PartNo	Description
3	H101202	TORX PAN HEAD 1/4-20x3/4 ASSY

1202 (x3)  
TORX PAN HEAD 1/4-20x3/4 ASSY

**NOTE: MAKE SURE POST  
BRACKET SITS AROUND  
THREADED INSERTS IN BEAM**



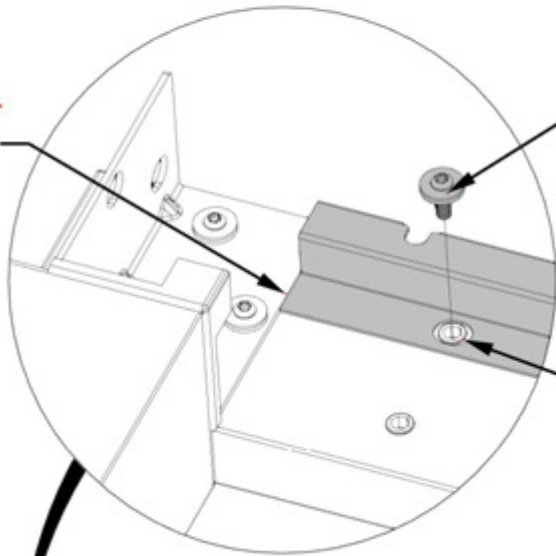
# STEP 5 - LOUVER MOUNT ATTACHMENT



M01 LOUVER MOUNT - A4M01991  
(x1) 1"x1 15/16"x79 5/16" (25x49x2015)

QTY	PartNo	Description
4	H101202	TORX PAN HEAD 1/4-20x3/4 ASSY

**NOTE: FLUSH MOUNT WITH EDGE OF POST BRACKET**



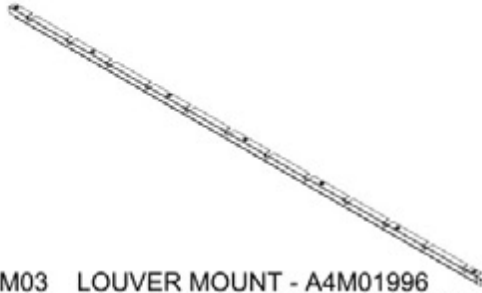
1202 (x4)  
TORX PAN HEAD 1/4-20x3/4 ASSY

**NOTE: LOUVER MOUNT WILL FIT AROUND THREADED INSERTS IN BEAM**

M01 (x1)  
LOUVER MOUNT

P02  
POST

# STEP 6 - LOUVER MOUNT ATTACHMENT



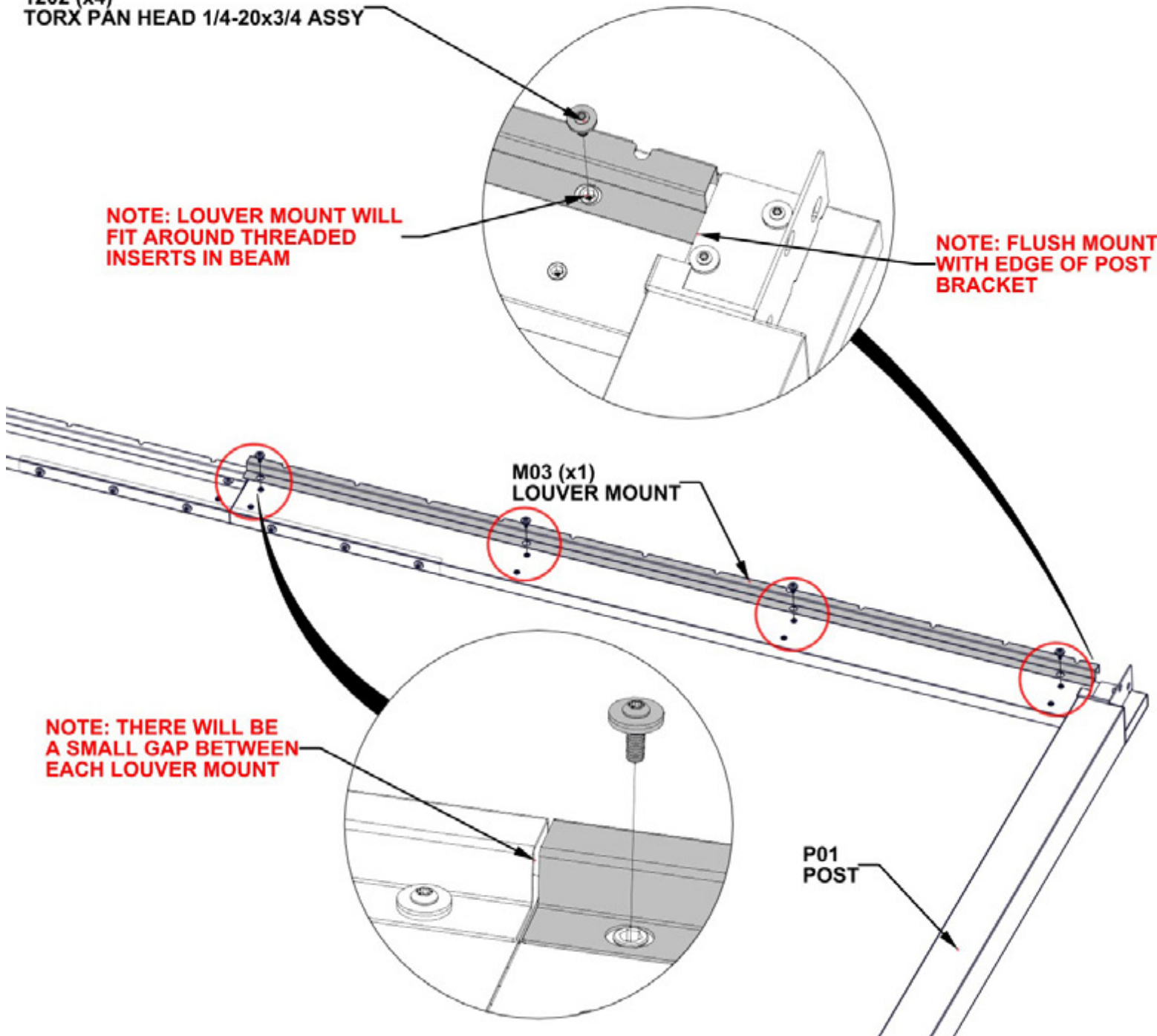
QTY	PartNo	Description
4	H101202	TORX PAN HEAD 1/4-20x3/4 ASSY

M03 LOUVER MOUNT - A4M01996  
 (x1) 1"x1 15/16"x79 5/16" (25x49x2015)

1202 (x4)  
 TORX PAN HEAD 1/4-20x3/4 ASSY

**NOTE: LOUVER MOUNT WILL FIT AROUND THREADED INSERTS IN BEAM**

**NOTE: FLUSH MOUNT WITH EDGE OF POST BRACKET**



**NOTE: THERE WILL BE A SMALL GAP BETWEEN EACH LOUVER MOUNT**

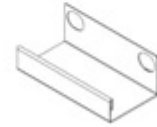
M03 (x1)  
 LOUVER MOUNT

P01  
 POST

# STEP 7A - GUTTER ASSEMBLY



A6P00796 SILICONE (x1)



G05 GUTTER SPLICE - A4M02004

G03 GUTTER - A4M01998

G04 GUTTER - A4M01999

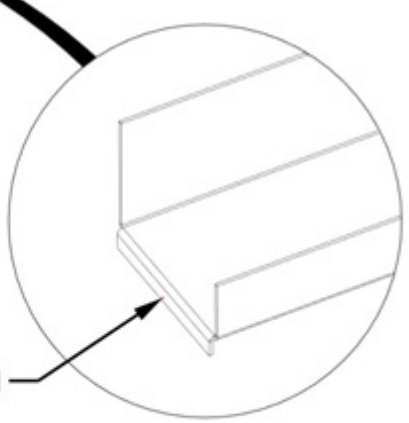
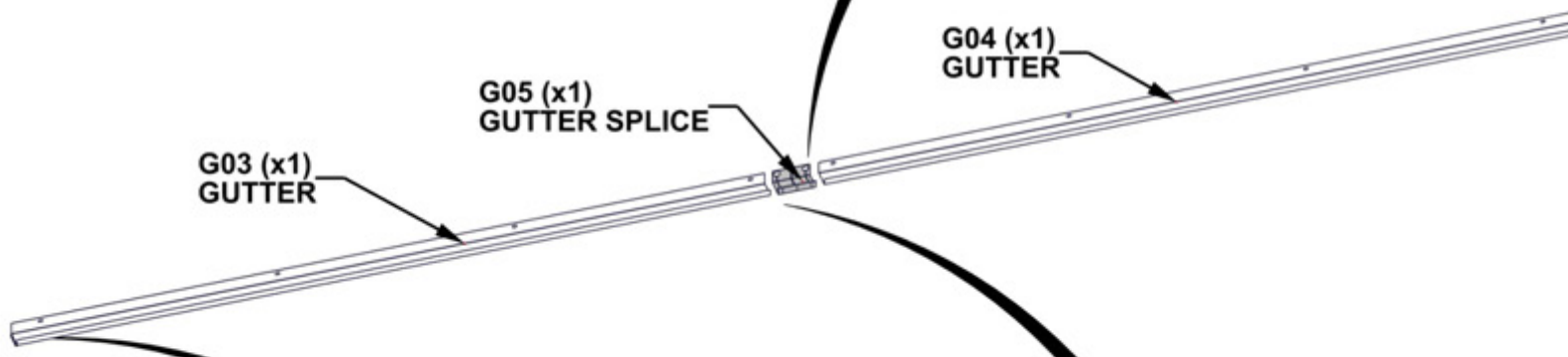
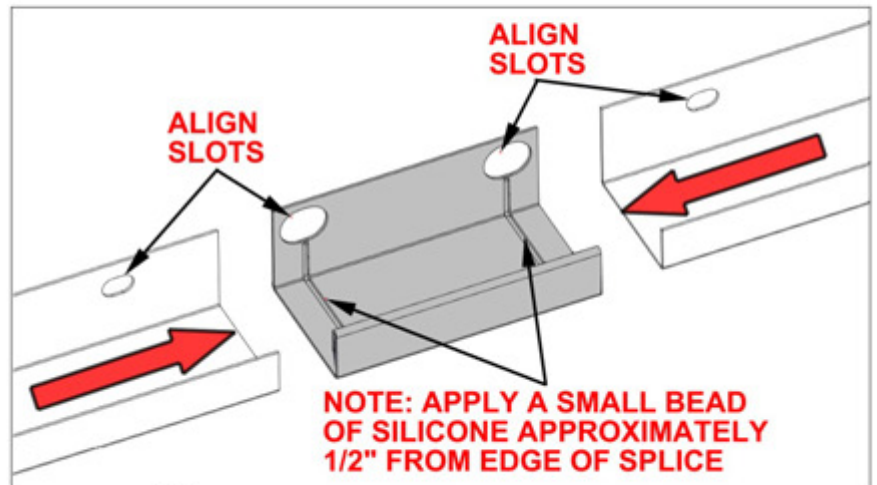
(x1) 1 9/16"x1 15/16"x79 7/16" (40x50x2017) (x1) 1 9/16"x1 15/16"x79 7/16" (40x50x2017) (x1) 1 7/16"x2 1/16"x3 15/16" (36x52.5x100)

**MEASURE APPROXIMATELY 1/2" [12.7mm] FROM EACH END OF GUTTER SPLICE AND APPLY A FINE BEAD OF SILICONE.**

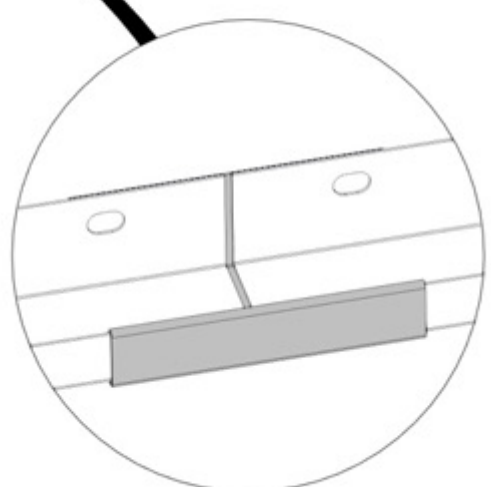
**SLIDE BOTH G03 AND G04 GUTTERS INTO SPLICE UNTIL ENDS ARE ALMOST TOUCHING. WIPE EXCESS SILICONE USING A RAG OR PAPER TOWEL.**

TIP: GLOVES ARE RECOMMENDED WHEN APPLYING SILICONE

MAKE SURE SURFACE OF GUTTER SPLICE IS CLEAN, DRY, AND FREE OF ANY DIRT/DEBRIS

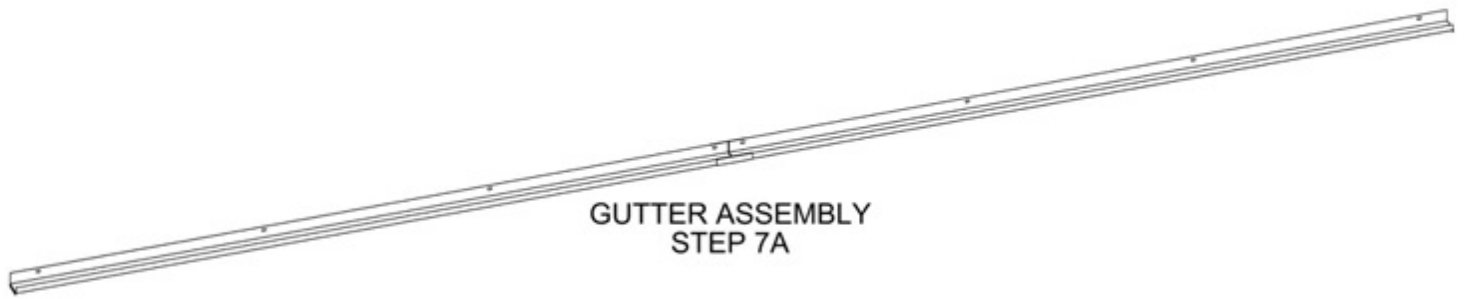


**NOTE: GUTTER ENDS WILL HAVE A BOTTOM FLANGE**



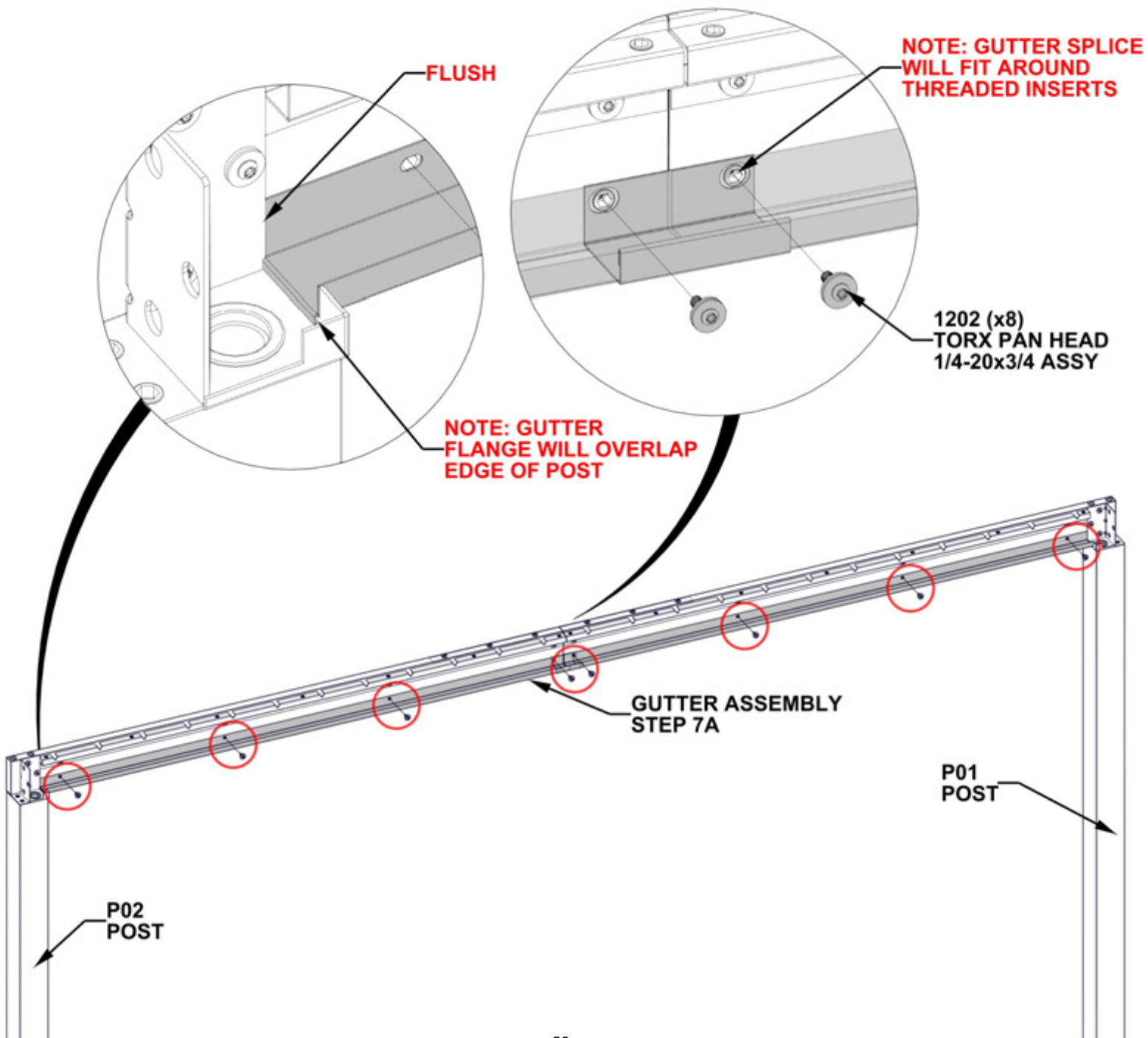
# STEP 7B - GUTTER ATTACHMENT

QTY	PartNo	Description
8	H101202	TORX PAN HEAD 1/4-20x3/4 ASSY



**WITH AT LEAST TWO PEOPLE ATTACH GUTTER ASSEMBLY FROM PREVIOUS STEP TO BEAM.**

**MAKE SURE ENDS OF GUTTER SIT ON TOP SURFACE OF EACH POST BRACKET.**



# STEP 7C - GUTTER ATTACHMENT



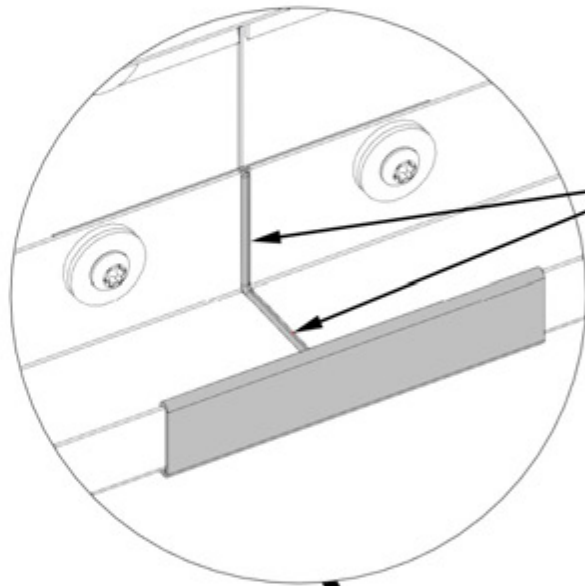
A6P00796 SILICONE  
(x1)

**APPLY A FINE BEAD OF SILICONE ALONG INSIDE SURFACE OF GUTTER WHERE TWO GUTTER PIECES MEET.**

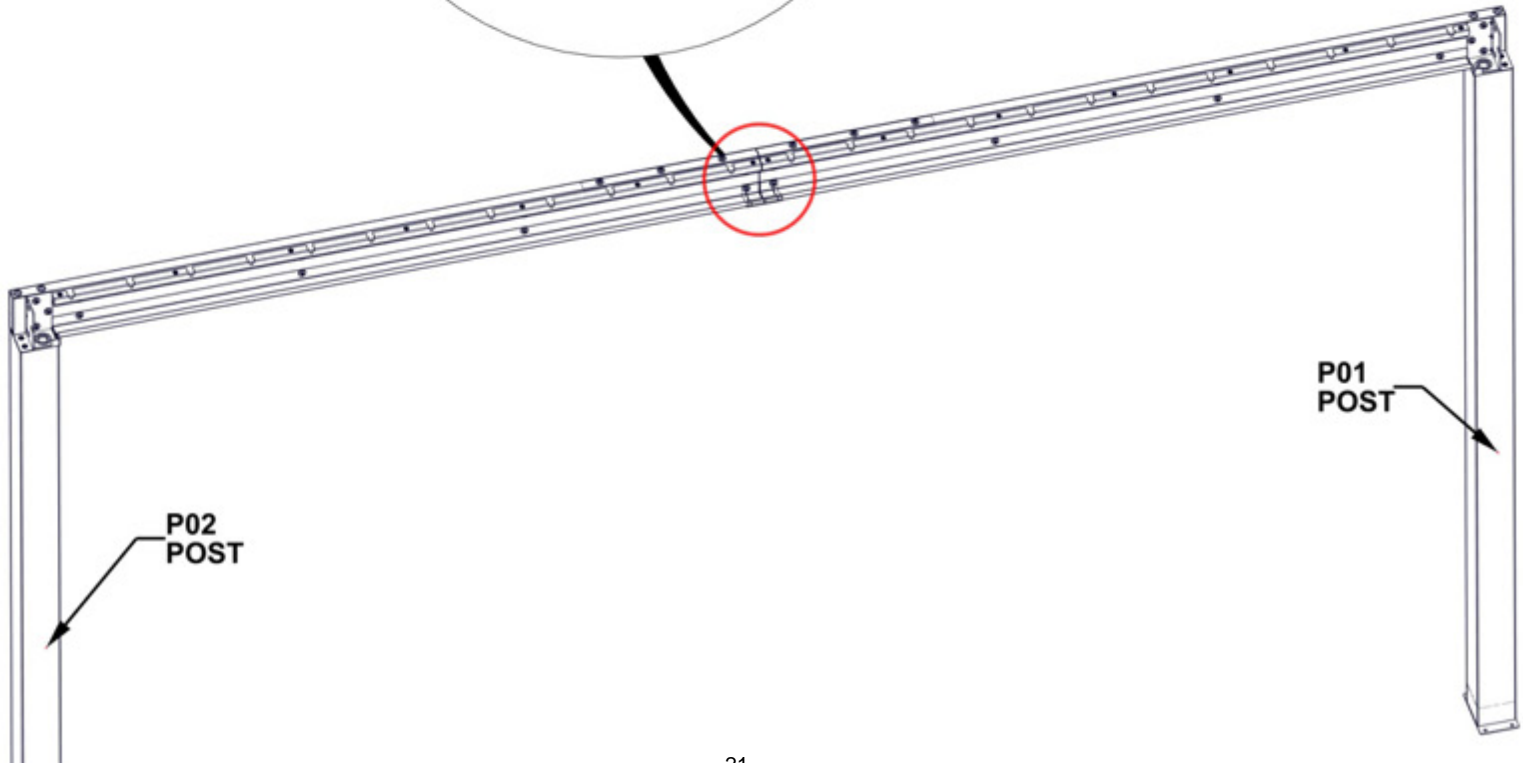
**SMOOTH SILICONE ALONG SEAM, WIPING EXCESS USING A RAG OR PAPERTOWEL**

TIP: GLOVES ARE RECOMMENDED WHEN APPLYING SILICONE.

MAKE SURE SURFACE OF GUTTER IS CLEAN, DRY, AND FREE OF ANY DIRT/DEBRIS



**NOTE: APPLY A FINE BEAD OF SILICONE ALONG INSIDE SEAM OF GUTTER**



# STEP 8A - FRAME ASSEMBLY

QTY	PartNo	Description
4	H101230	BOLT WH 5/16x6 S.S.



P03 POST - A4M02131  
(x1) 4 5/16"x6 3/4"x99 1/2" (110x172x2527)



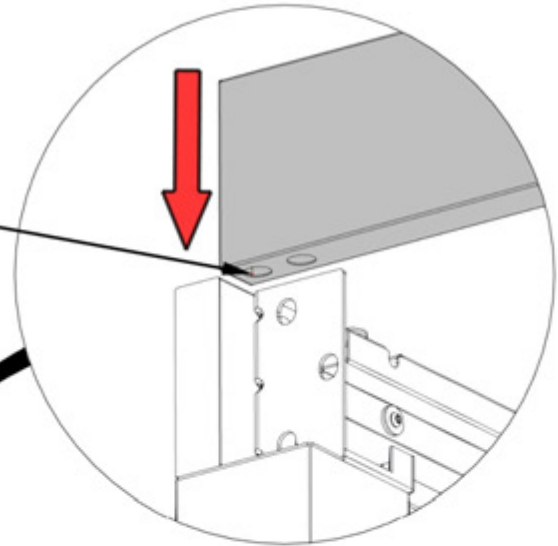
B01 BEAM - A4M01986  
(x1) 1 7/16"x5 1/4"x114 1/2" (36x134x2910)

**WITH AT LEAST TWO EXTRA PEOPLE, ATTACH B01 BEAM TO P02 AND P03 POST.**

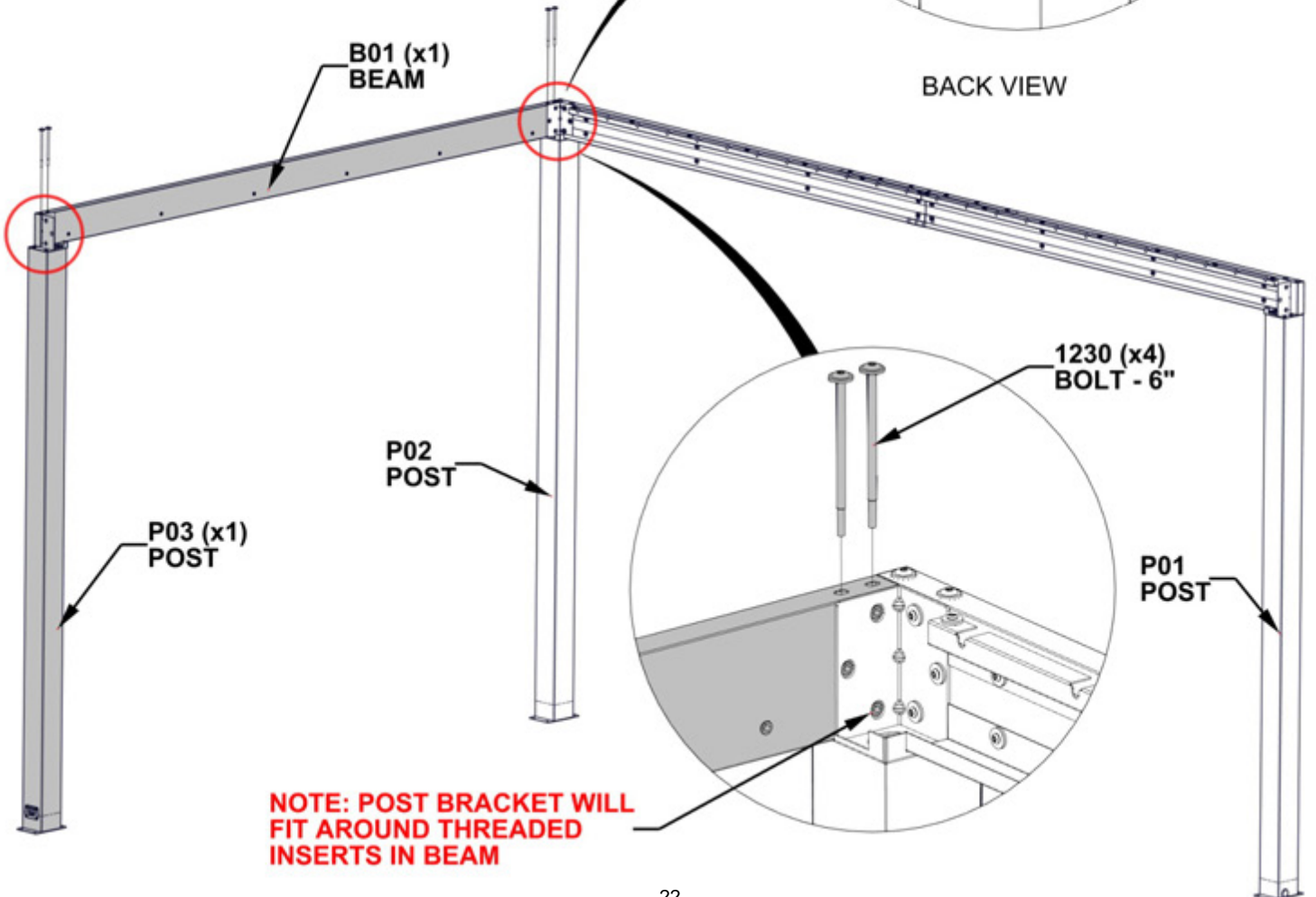
**ALIGN SLOTS IN BEAM WITH THREADED INSERTS ON TOP PLATE. FLUSH ALL SIDES OF BEAM AND POST.**

**DO NOT TIGHTEN HARDWARE AT THIS STEP.**

**NOTE: LARGE SLOTS INDICATE BOTTOM SURFACE OF BEAM. SLOTS WILL FIT AROUND THREADED INSERTS IN POST PLATE.**



BACK VIEW

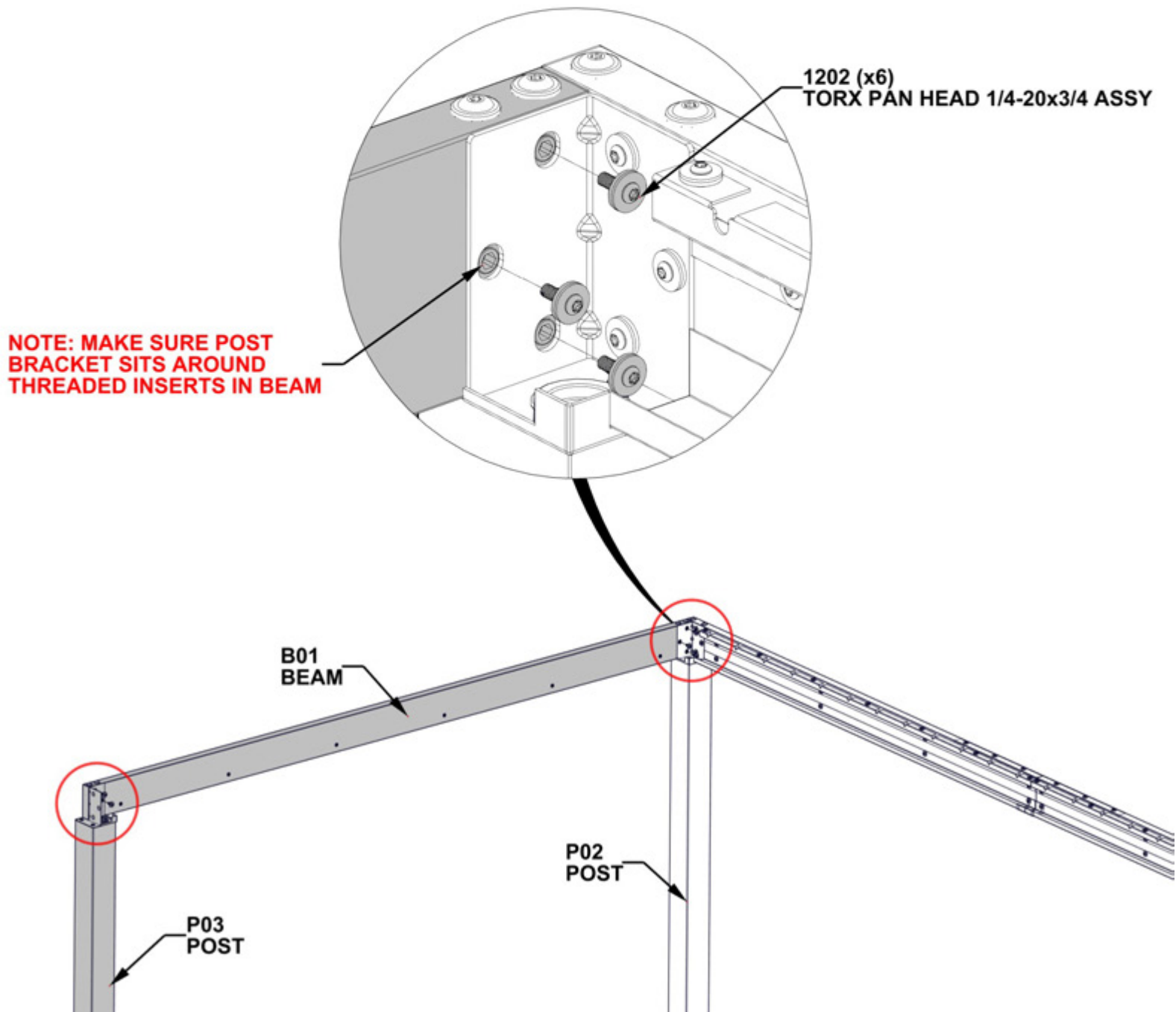


**NOTE: POST BRACKET WILL FIT AROUND THREADED INSERTS IN BEAM**

# STEP 8B - FRAME ASSEMBLY

QTY	PartNo	Description
6	H101202	TORX PAN HEAD 1/4-20x3/4 ASSY

**DO NOT TIGHTEN HARDWARE AT THIS STEP**



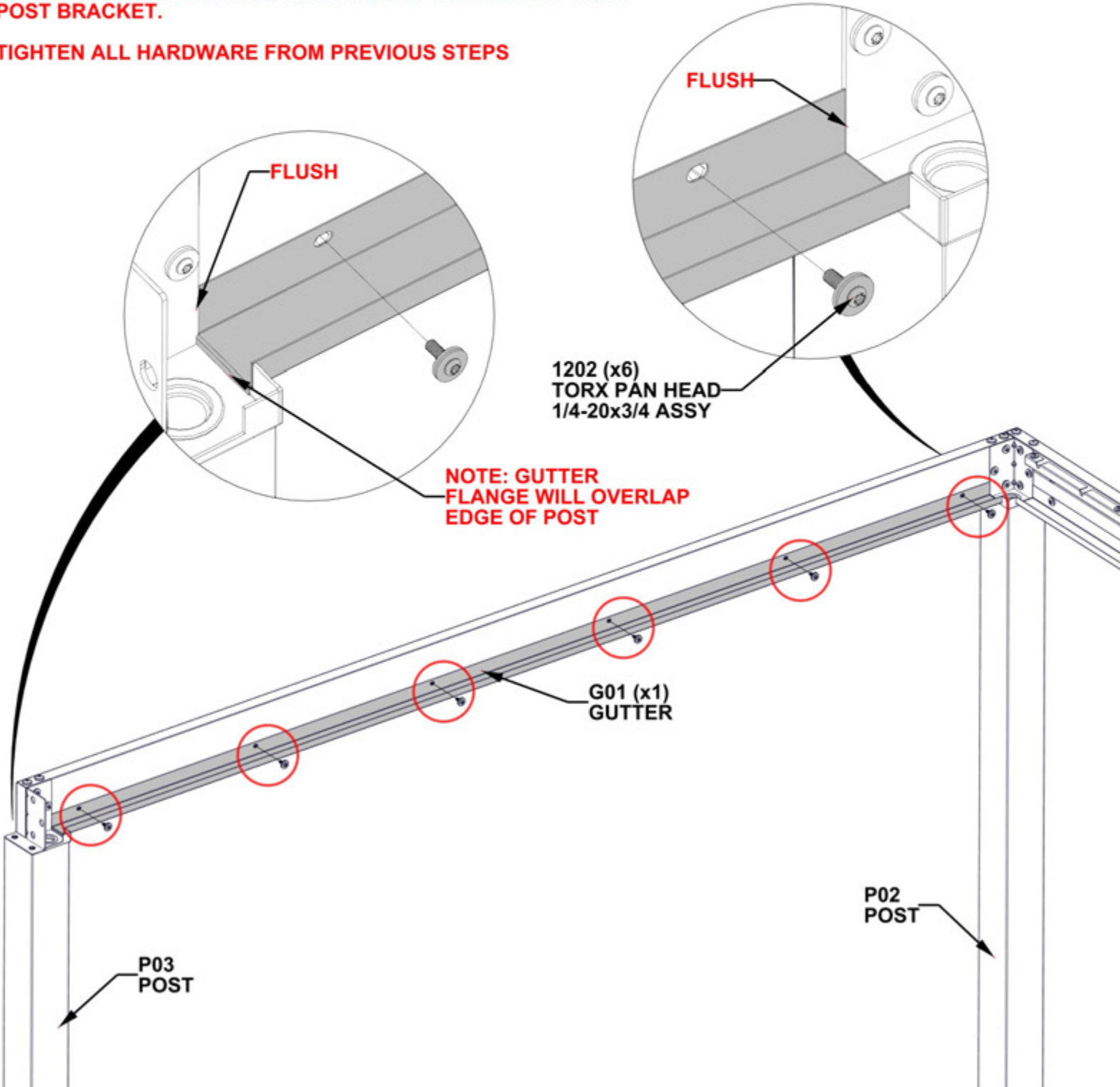
# STEP 9 - GUTTER ATTACHMENT



QTY	PartNo	Description
6	H101202	TORX PAN HEAD 1/4-20x3/4 ASSY

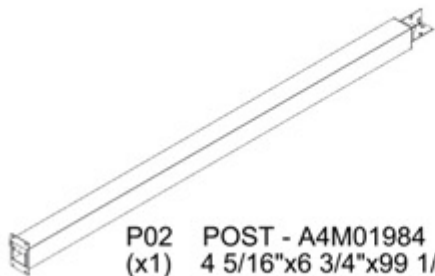
**WITH AN ADDITIONAL PERSON, ATTACH GUTTER TO BEAM.  
MAKE SURE ENDS OF GUTTER SIT ON TOP SURFACE OF EACH  
POST BRACKET.**

**TIGHTEN ALL HARDWARE FROM PREVIOUS STEPS**



# STEP 10A - FRAME ASSEMBLY

QTY	PartNo	Description
4	H101230	BOLT WH 5/16x6 S.S.



P02 POST - A4M01984  
(x1) 4 5/16"x6 3/4"x99 1/2" (110x172x2527)



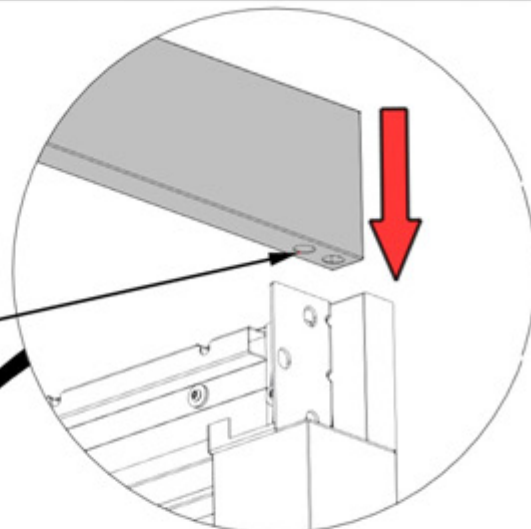
B01 BEAM - A4M01986  
(x1) 1 7/16"x5 1/4"x114 1/2" (36x134x2910)

**WITH ATLEAST TWO EXTRA PEOPLE, ATTACH B01 BEAM TO P02 AND P01 POST.**

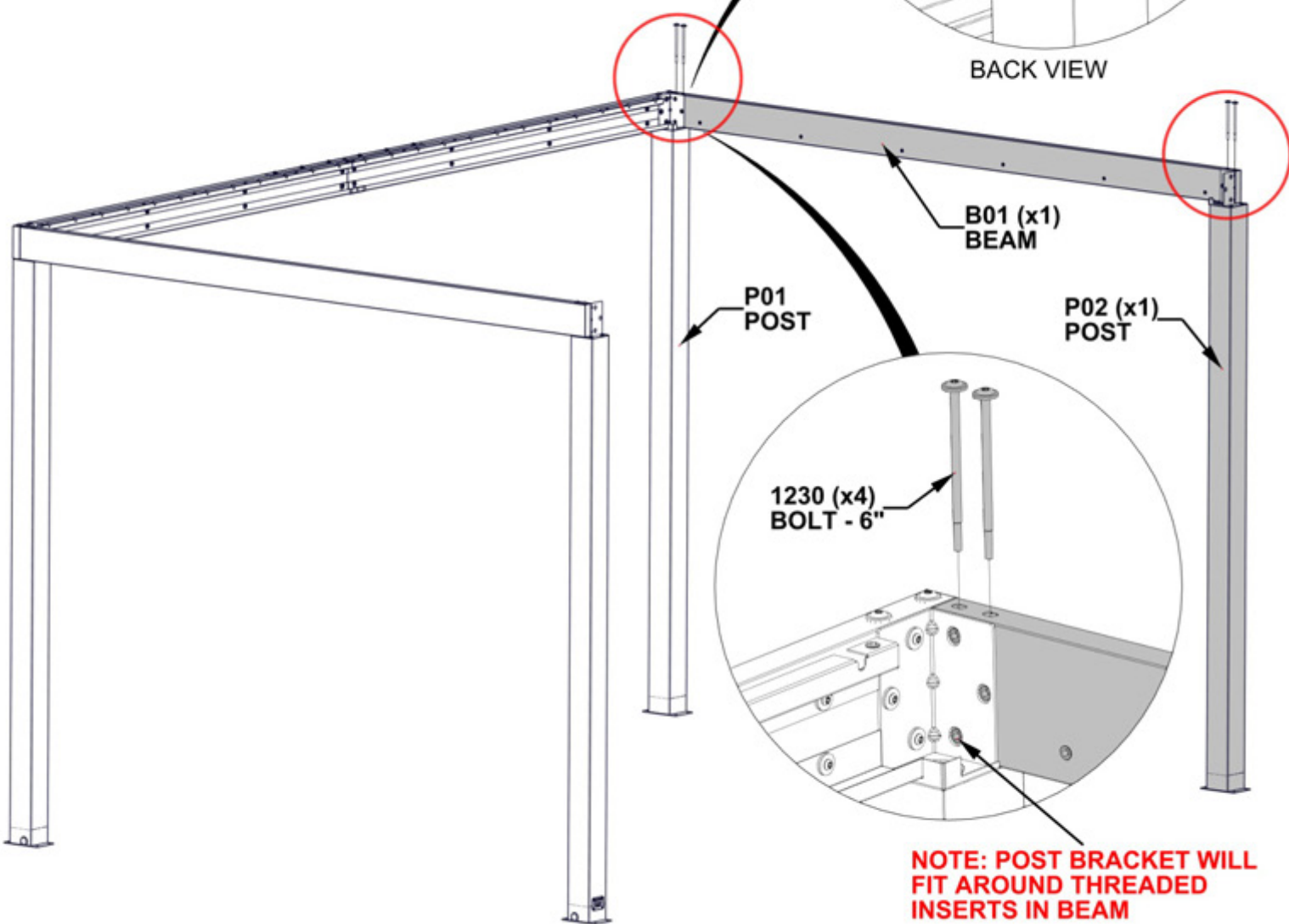
**ALIGN SLOTS IN BEAM WITH THREADED INSERTS ON TOP PLATE. FLUSH ALL SIDES OF BEAM AND POST.**

**DO NOT TIGHTEN HARDWARE AT THIS STEP.**

**NOTE: LARGE SLOTS INDICATE BOTTOM SURFACE OF BEAM. SLOTS WILL FIT AROUND THREADED INSERTS IN POST PLATE.**



BACK VIEW



**NOTE: POST BRACKET WILL FIT AROUND THREADED INSERTS IN BEAM**

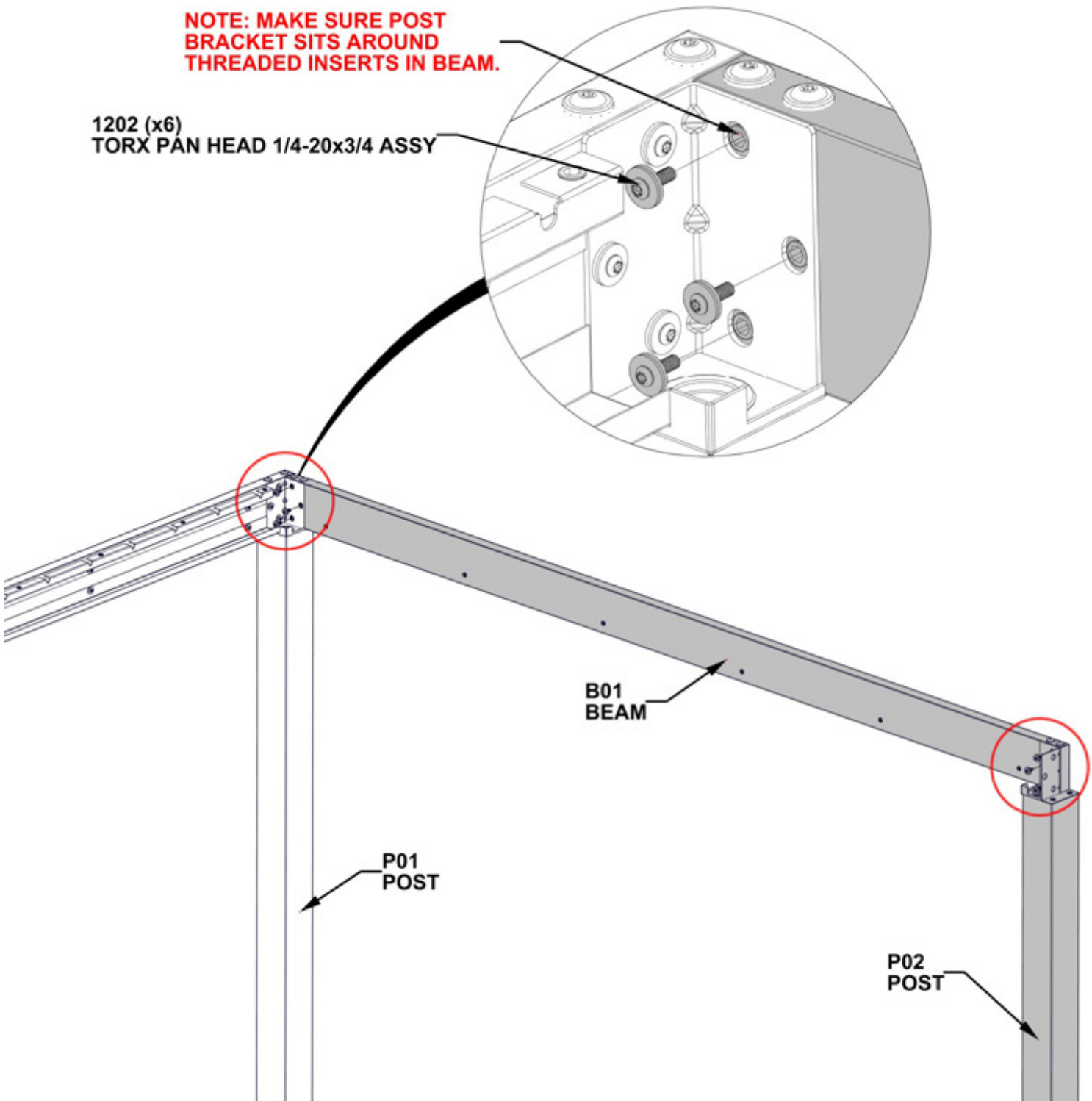
# STEP 10B - FRAME ASSEMBLY

QTY	PartNo	Description
6	H101202	TORX PAN HEAD 1/4-20x3/4 ASSY

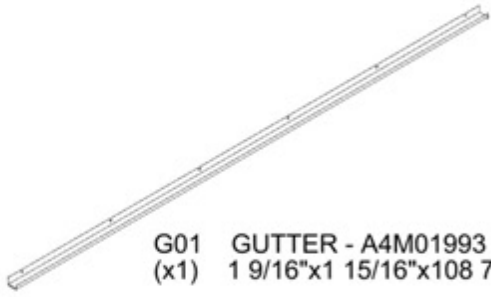
**DO NOT TIGHTEN HARDWARE AT THIS STEP**

**NOTE: MAKE SURE POST BRACKET SITS AROUND THREADED INSERTS IN BEAM.**

1202 (x6)  
TORX PAN HEAD 1/4-20x3/4 ASSY



# STEP 11 - GUTTER ATTACHMENT

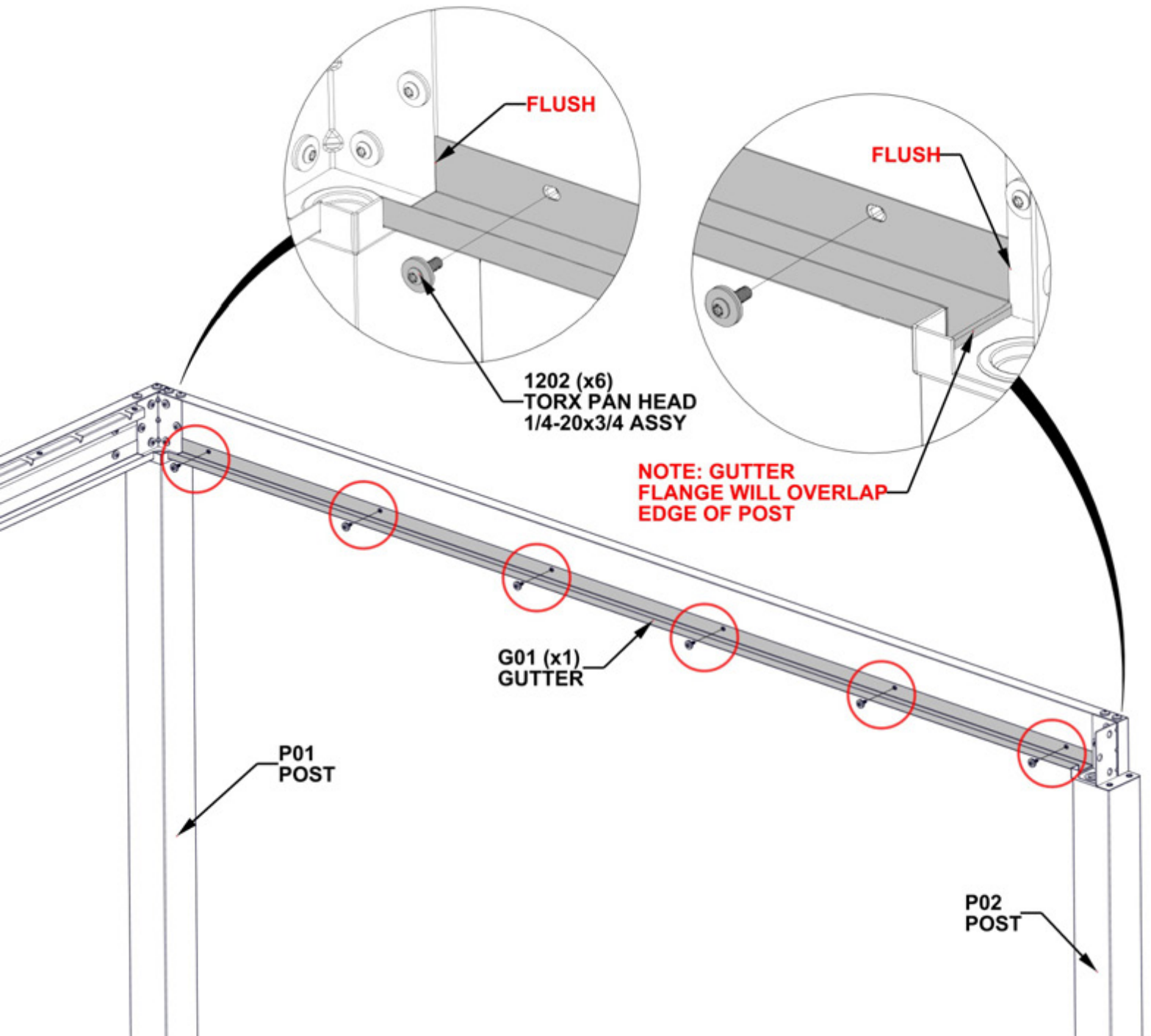


G01 GUTTER - A4M01993  
(x1) 1 9/16"x1 15/16"x108 7/8" (40x50x2765)

QTY	PartNo	Description
6	H101202	TORX PAN HEAD 1/4-20x3/4 ASSY

**WITH AN ADDITIONAL PERSON, ATTACH GUTTER TO BEAM.  
MAKE SURE ENDS OF GUTTER SIT ON TOP SURFACE OF EACH  
POST BRACKET.**

**TIGHTEN ALL HARDWARE FROM PREVIOUS STEPS**



# STEP 12 - BEAM ASSEMBLY

QTY	PartNo	Description
6	H101202	TORX PAN HEAD 1/4-20x3/4 ASSY

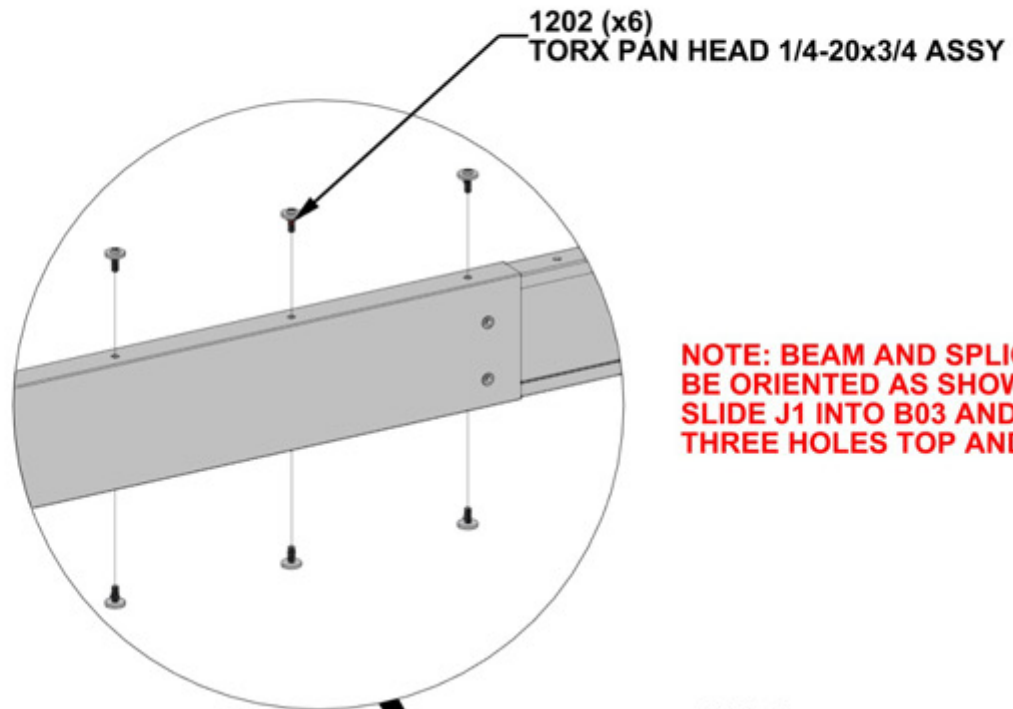


B03 BEAM - A4M01989  
(x1) 1 7/16"x5 1/4"x83 11/16" (36x134x2126)

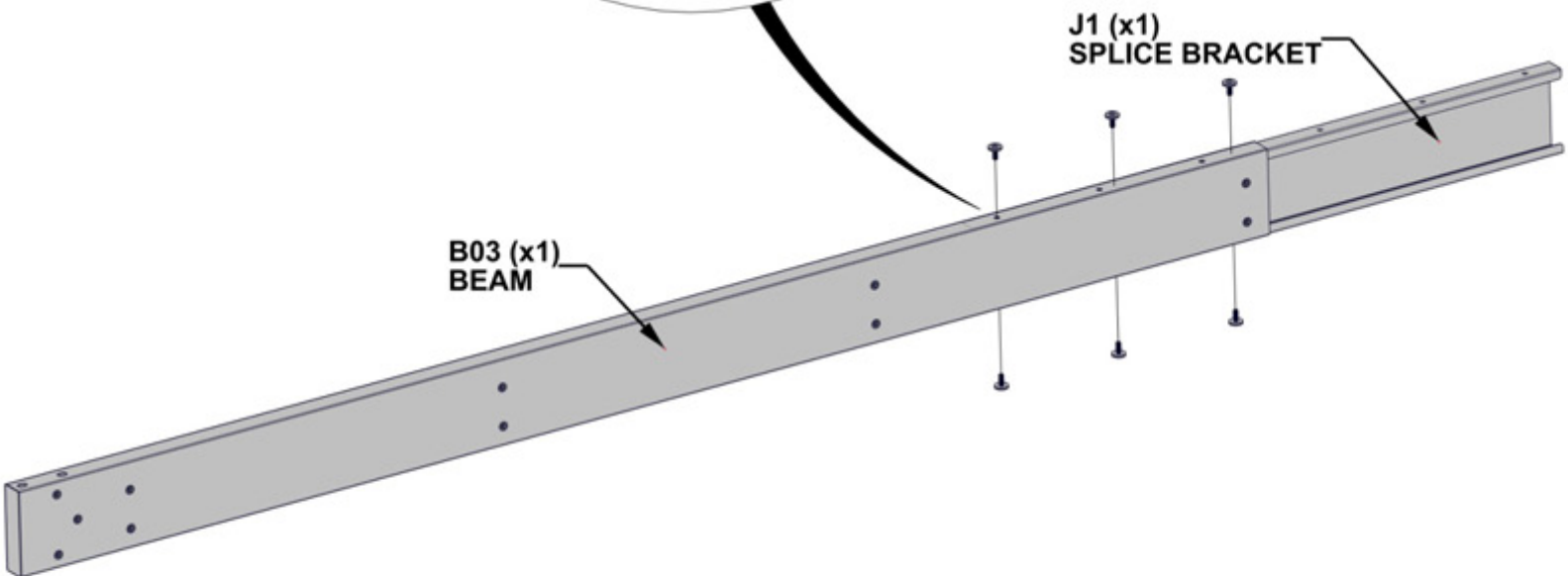


J1 SPLICE BRACKET - A4M02230  
(x1) 1 5/16"x5 3/16"x39 3/8" (33.2x131.2x1000)

**DO NOT TIGHTEN HARDWARE AT THIS STEP**



**NOTE: BEAM AND SPLICE MUST BE ORIENTED AS SHOWN BELOW. SLIDE J1 INTO B03 AND LINE UP THREE HOLES TOP AND BOTTOM.**



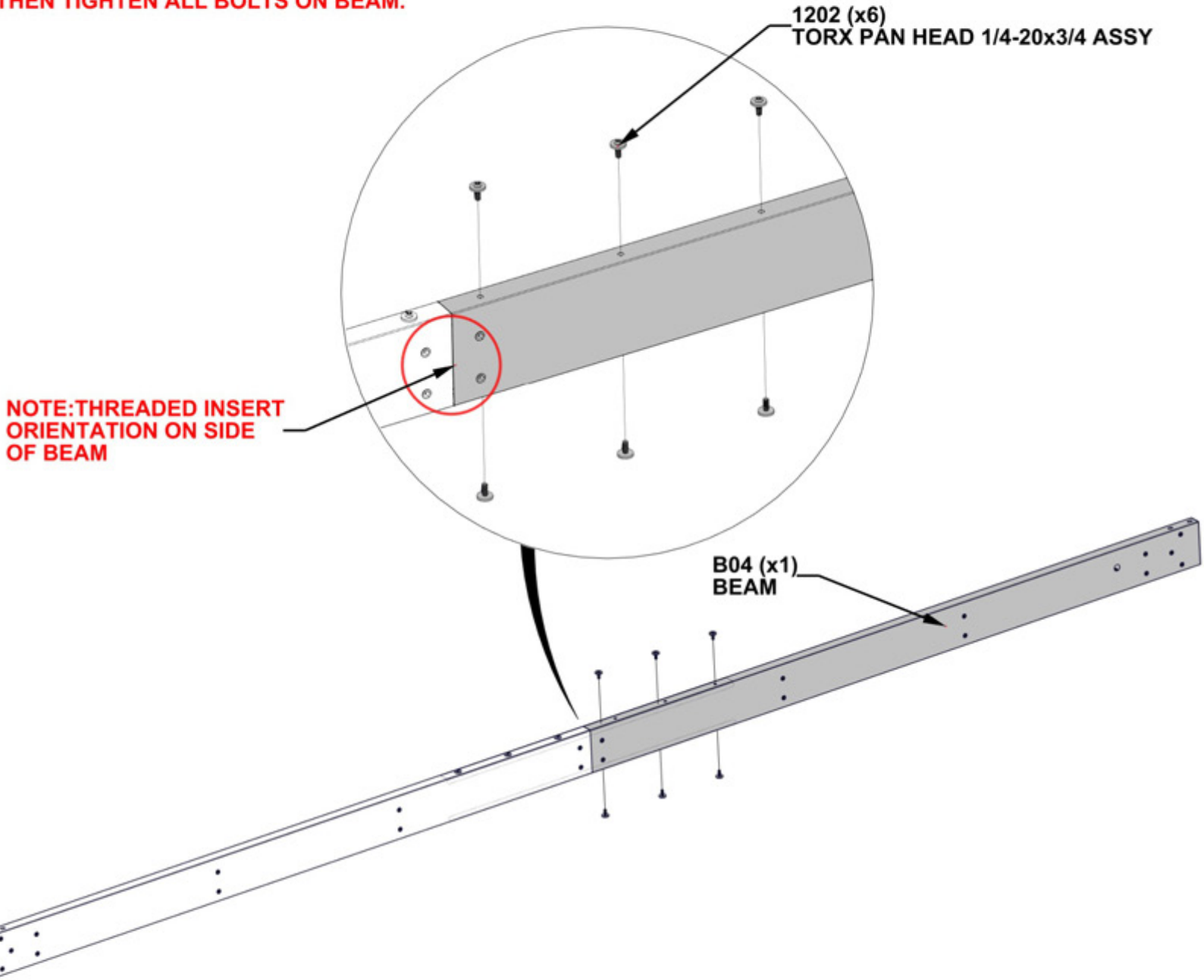
# STEP 13 - BEAM ASSEMBLY

QTY	PartNo	Description
6	H101202	TORX PAN HEAD 1/4-20x3/4 ASSY



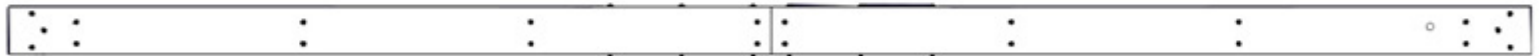
B04 BEAM - A4M01990  
(x1) 1 7/16"x5 1/4"x83 11/16" (36x134x2126)

**SLIDE B04 INTO SPLICE BRACKET.  
GENTLY TAP ENDS OF ASSEMBLY WITH  
RUBBER Mallet UNTIL GAP CLOSES,  
THEN TIGHTEN ALL BOLTS ON BEAM.**



# STEP 14A - FRAME ASSEMBLY

QTY	PartNo	Description
4	H101230	BOLT WH 5/16x6 S.S.

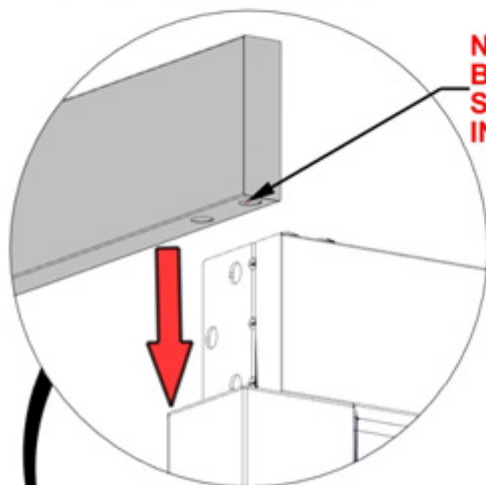


BEAM ASSEMBLY  
STEP 12 -13

**WITH AT LEAST TWO EXTRA PEOPLE, ATTACH BEAM ASSEMBLY FROM PREVIOUS STEPS TO P02 AND P03 POST.**

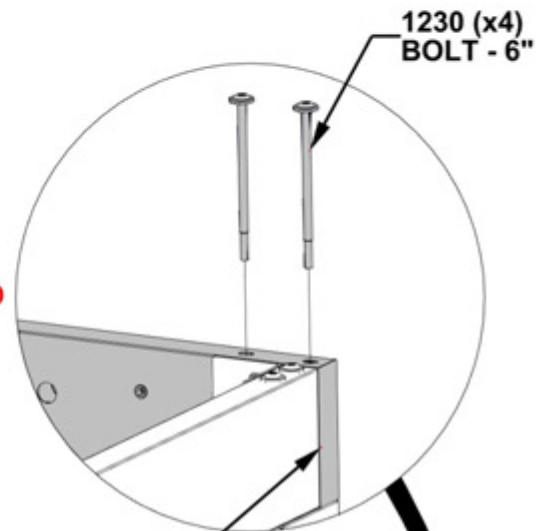
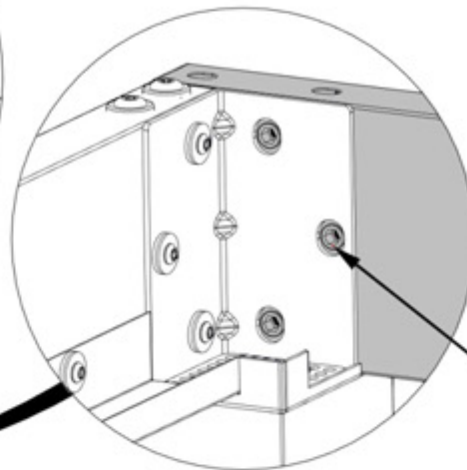
**ALIGN SLOTS IN BEAM WITH THREADED INSERTS ON TOP PLATE. FLUSH ALL SIDES OF BEAM AND POST.**

**DO NOT TIGHTEN HARDWARE AT THIS STEP.**



BACK VIEW

**NOTE: LARGE SLOTS INDICATE BOTTOM SURFACE OF BEAM. SLOTS WILL FIT AROUND THREADED INSERTS IN POST PLATE.**



FLUSH

**NOTE: POST BRACKET WILL FIT AROUND THREADED INSERTS IN BEAM**

BEAM ASSEMBLY  
STEP 12 -13

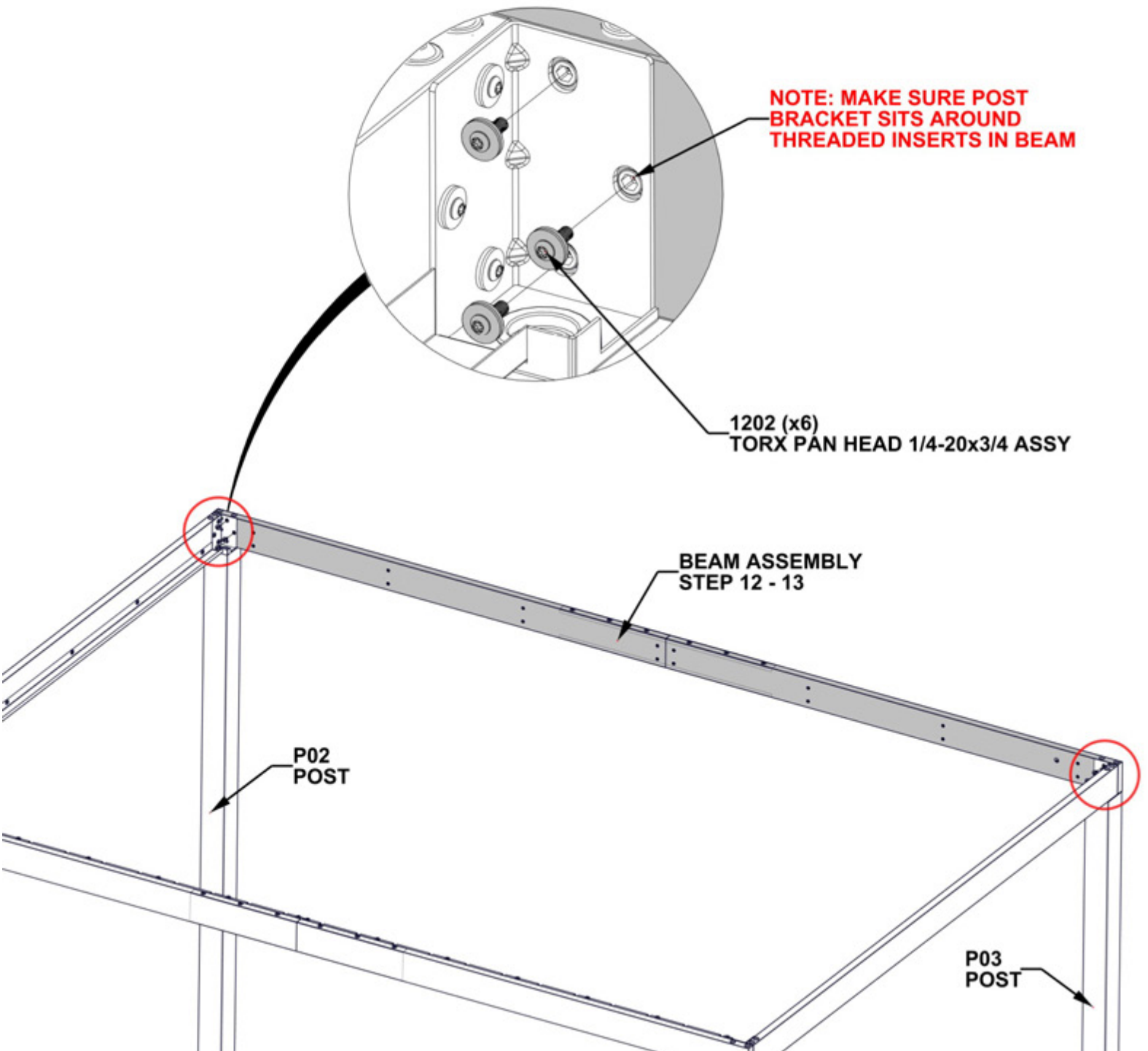
P02  
POST

P03  
POST

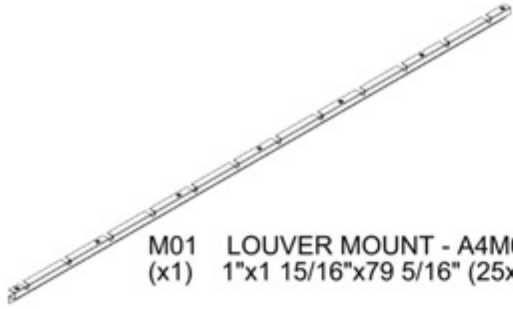
# STEP 14B - FRAME ASSEMBLY

QTY	PartNo	Description
6	H101202	TORX PAN HEAD 1/4-20x3/4 ASSY

**TIGHTEN ALL HARDWARE FROM PREVIOUS STEPS**



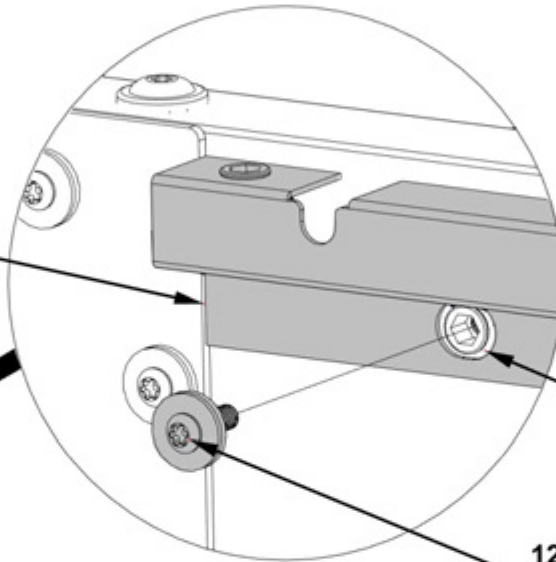
# STEP 15 - LOUVER MOUNT ATTACHMENT



M01 LOUVER MOUNT - A4M01991  
(x1) 1"x1 15/16"x79 5/16" (25x49x2015)

QTY	PartNo	Description
4	H101202	TORX PAN HEAD 1/4-20x3/4 ASSY

**NOTE: FLUSH MOUNT WITH EDGE OF POST BRACKET**

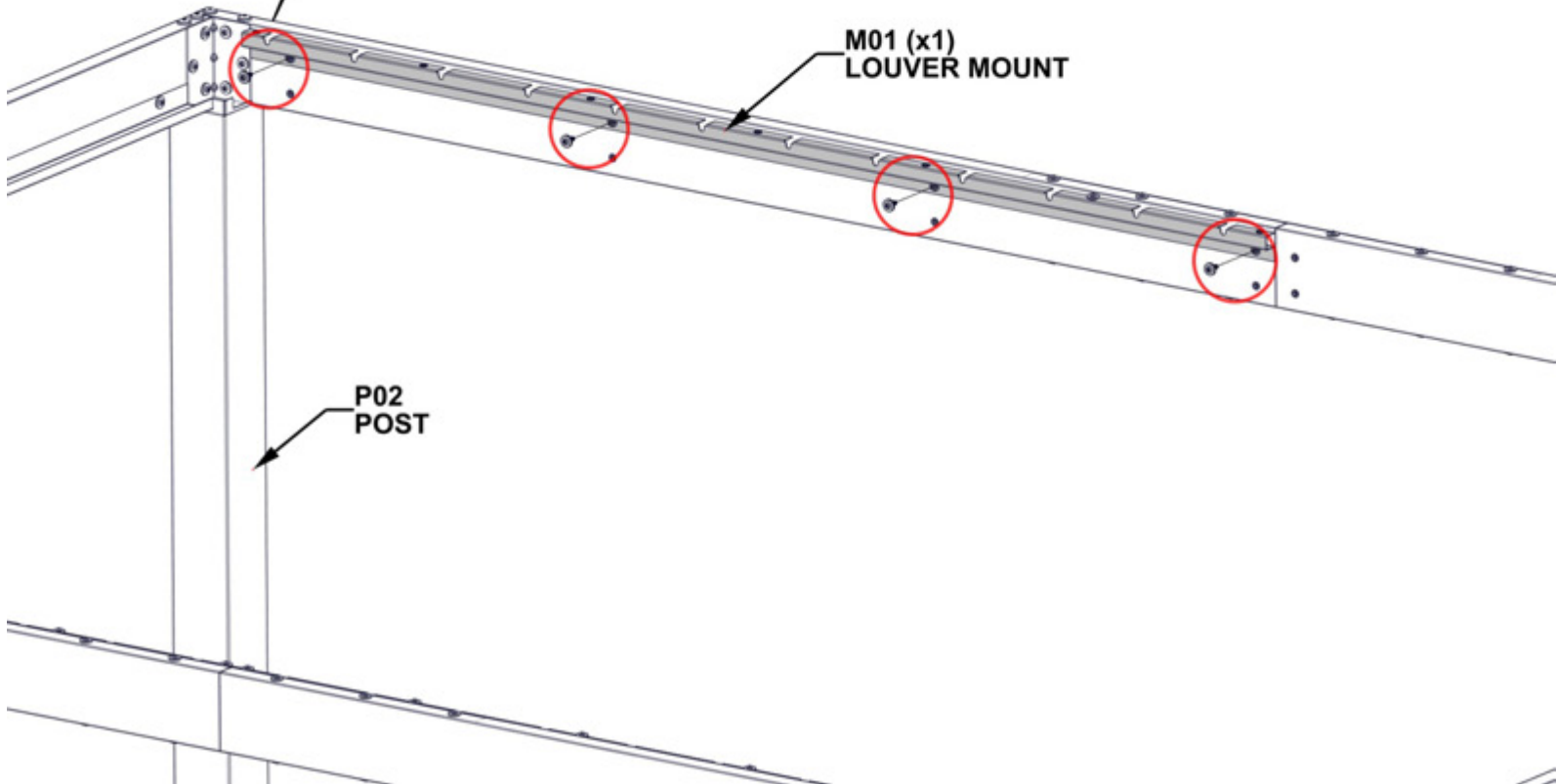


**NOTE: LOUVER MOUNT WILL FIT AROUND THREADED INSERTS IN BEAM**

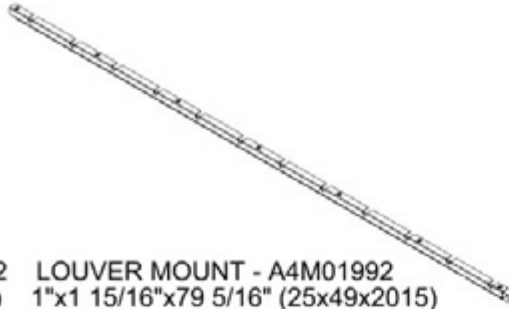
1202 (x4)  
TORX PAN HEAD 1/4-20x3/4 ASSY

M01 (x1)  
LOUVER MOUNT

P02  
POST



# STEP 16 - LOUVER MOUNT ATTACHMENT



QTY	PartNo	Description
4	H101202	TORX PAN HEAD 1/4-20x3/4 ASSY

M02 LOUVER MOUNT - A4M01992  
(x1) 1"x1 15/16"x79 5/16" (25x49x2015)

**NOTE: FLUSH MOUNT WITH EDGE OF POST BRACKET**

**NOTE: LOUVER MOUNT WILL FIT AROUND THREADED INSERTS IN BEAM**

1202 (x4)  
TORX PAN HEAD  
1/4-20x3/4 ASSY

**NOTE: ALIGN NOTCH IN LOUVER MOUNT WITH THRU HOLE IN BEAM**

M02 (x1)  
LOUVER MOUNT

**NOTE: THERE WILL BE A SMALL GAP BETWEEN EACH LOUVER MOUNT**

P03  
POST

# STEP 17A - GUTTER ASSEMBLY



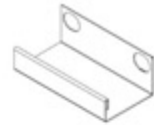
G03 GUTTER - A4M01998  
(x1) 1 9/16"x1 15/16"x79 7/16" (40x50x2017)



G04 GUTTER - A4M01999  
(x1) 1 9/16"x1 15/16"x79 7/16" (40x50x2017)



A6P00796 SILICONE  
(x1)



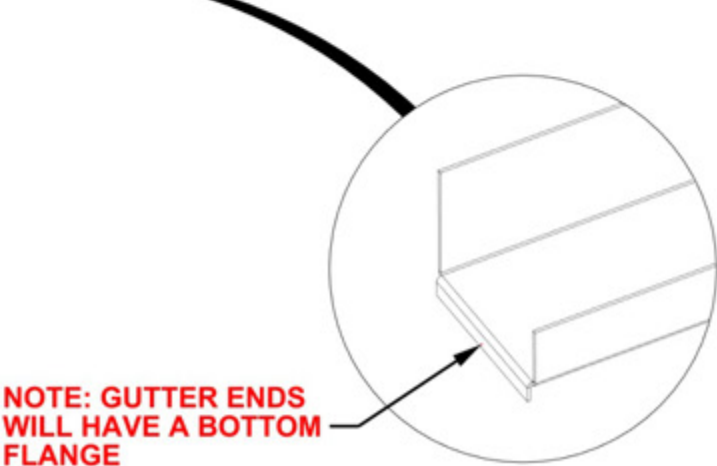
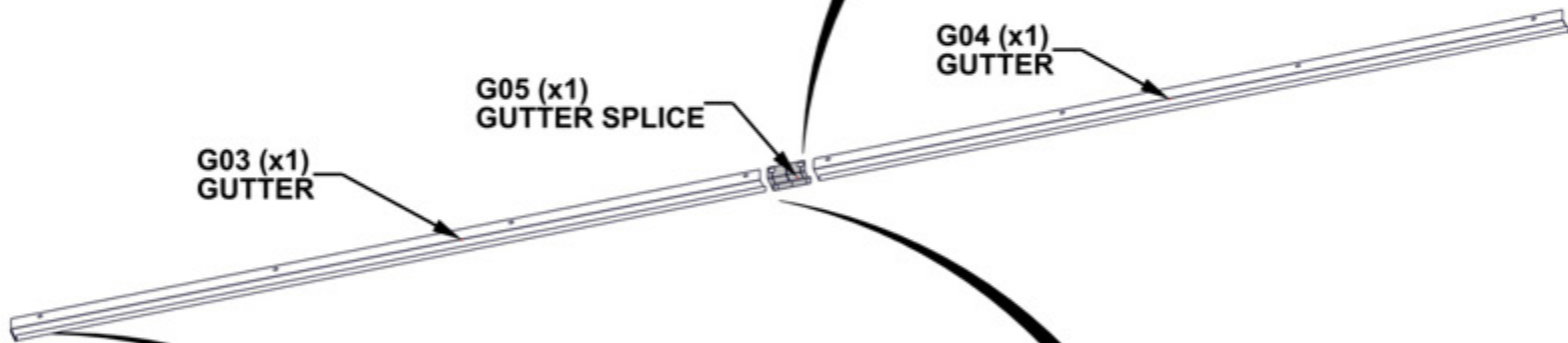
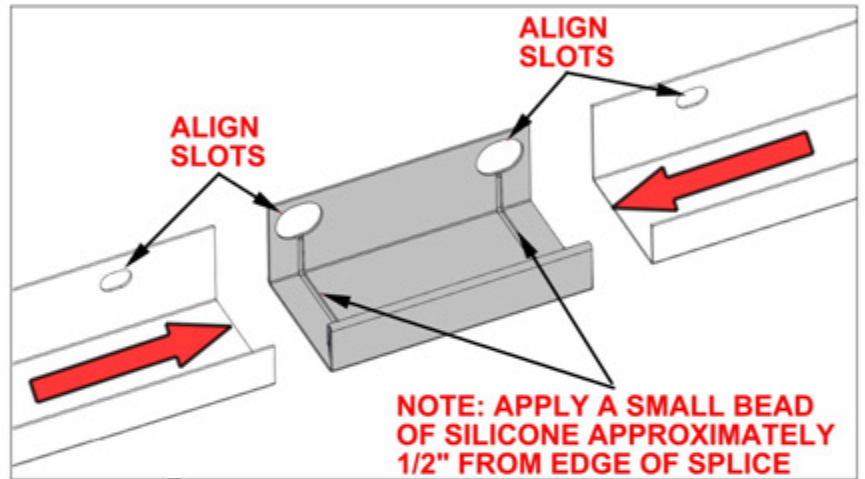
G05 GUTTER SPLICE - A4M02004  
(x1) 1 7/16"x2 1/16"x3 15/16" (36x52.5x100)

**MEASURE APPROXIMATELY 1/2" [12.7mm] FROM EACH END OF GUTTER SPLICE AND APPLY A FINE BEAD OF SILICONE.**

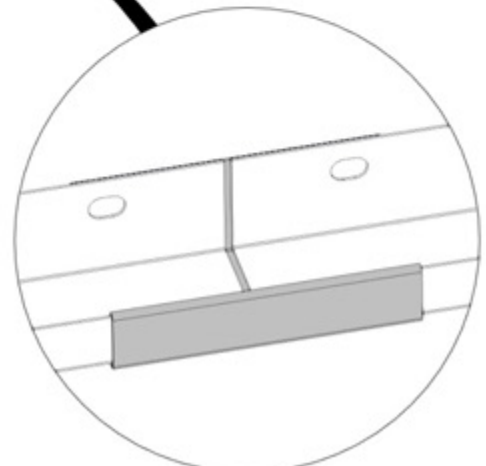
**SLIDE BOTH G03 AND G04 GUTTERS INTO SPLICE UNTIL ENDS ARE ALMOST TOUCHING. WIPE EXCESS SILICONE USING A RAG OR PAPER TOWEL.**

TIP: GLOVES ARE RECOMMENDED WHEN APPLYING SILICONE.

MAKE SURE SURFACE OF GUTTER SPLICE IS CLEAN, DRY, AND FREE OF ANY DIRT/DEBRIS

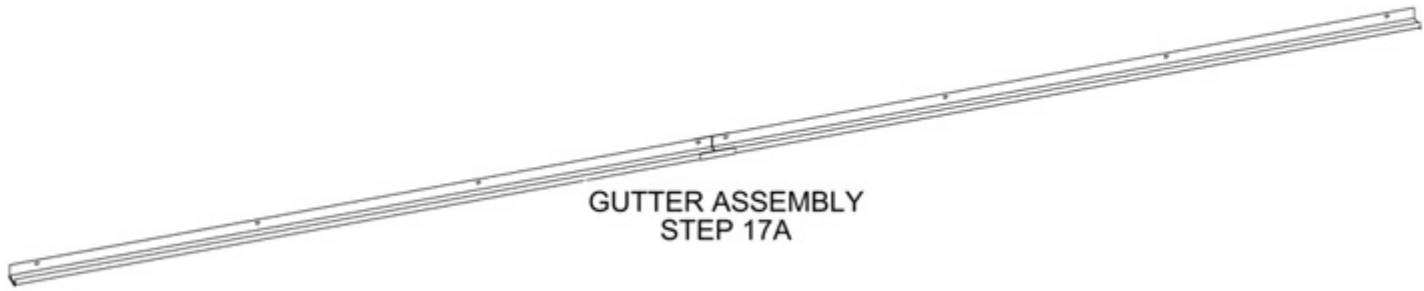


**NOTE: GUTTER ENDS WILL HAVE A BOTTOM FLANGE**



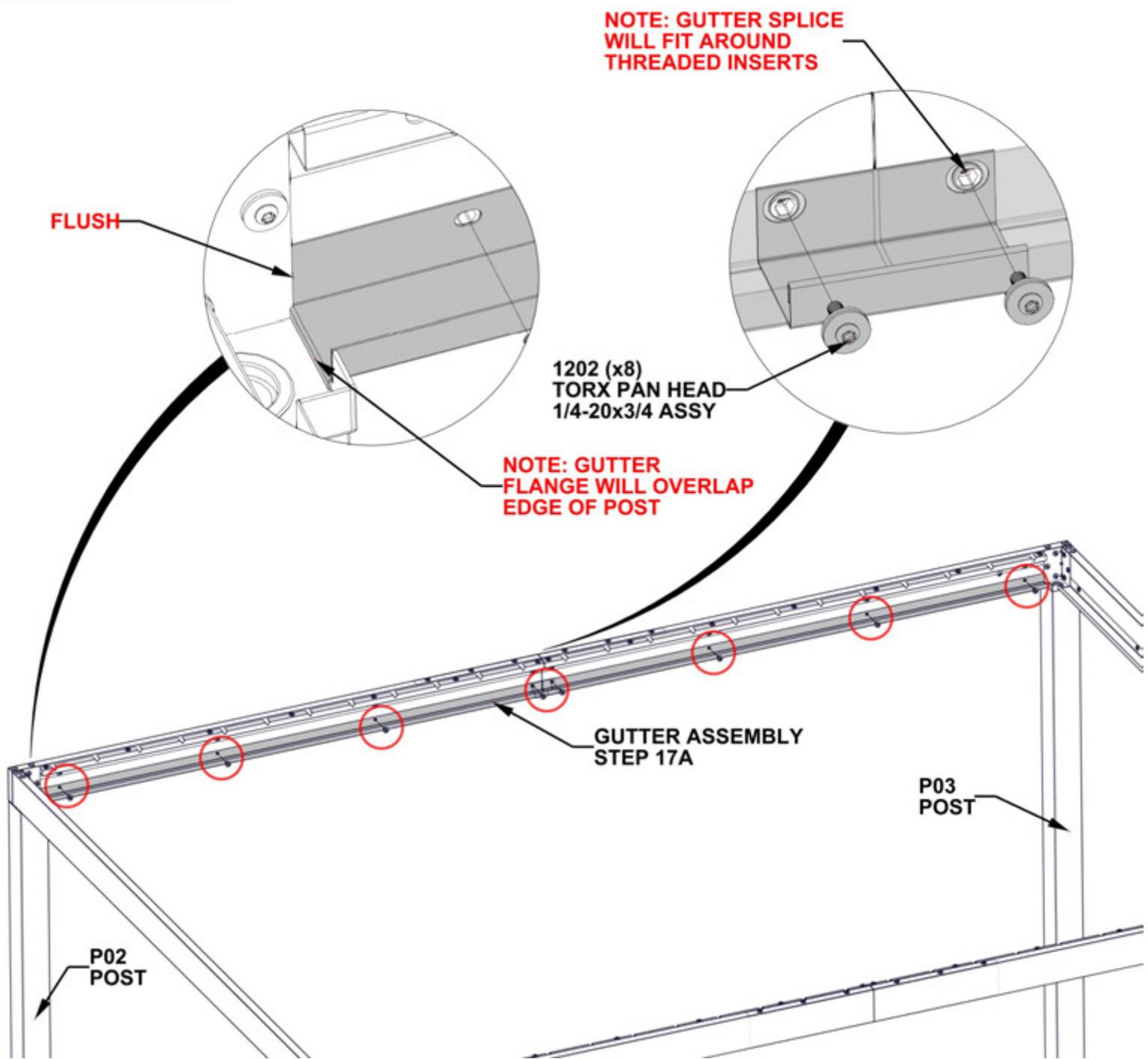
# STEP 17B - GUTTER ATTACHMENT

QTY	PartNo	Description
8	H101202	TORX PAN HEAD 1/4-20x3/4 ASSY



**WITH ATLEAST TWO PEOPLE ATTACH GUTTER ASSEMBLY FROM PREVIOUS STEP TO BEAM.**

**MAKE SURE ENDS OF GUTTER SIT ON TOP SURFACE OF EACH POST BRACKET.**



# STEP 17C - GUTTER ATTACHMENT



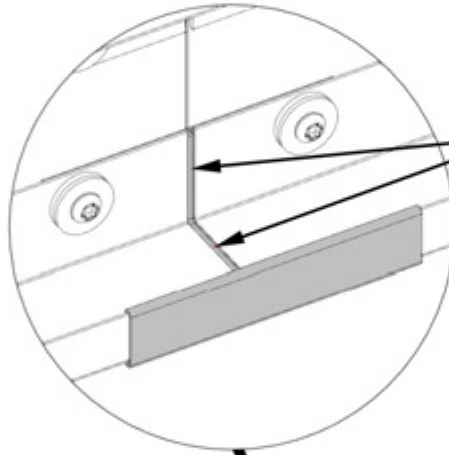
A6P00796 SILICONE  
(x1)

**APPLY A FINE BEAD OF SILICONE ALONG INSIDE SURFACE OF GUTTER WHERE TWO GUTTER PIECES MEET.**

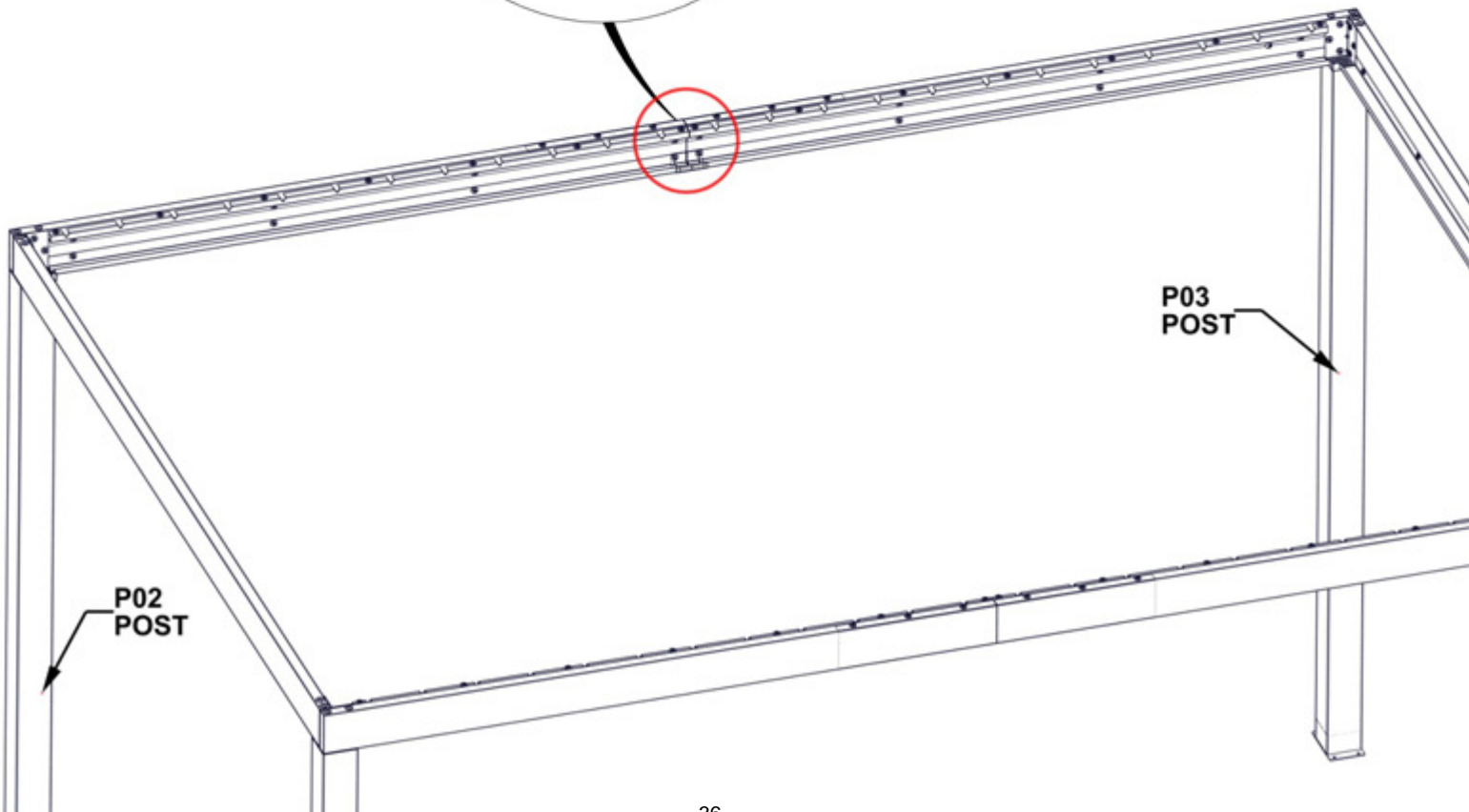
**SMOOTH SILICONE ALONG SEAM, WIPING EXCESS USING A RAG OR PAPERTOWEL**

**TIP: GLOVES ARE RECOMMENDED WHEN APPLYING SILICONE.**

**MAKE SURE SURFACE OF GUTTER IS CLEAN, DRY, AND FREE OF ANY DIRT/DEBRIS.**



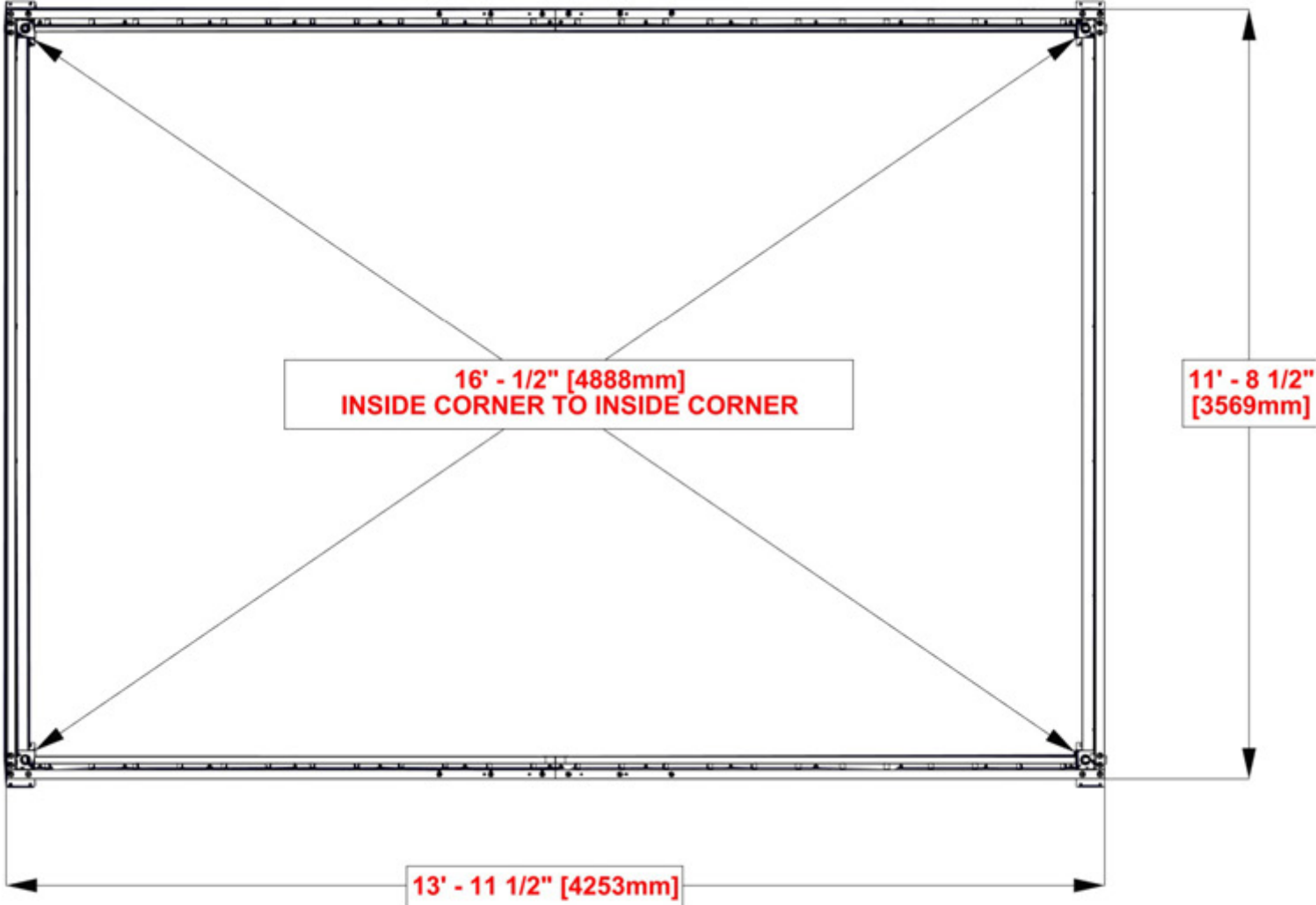
**NOTE: APPLY A FINE BEAD OF SILICONE ALONG INSIDE SEAM OF GUTTER**



# STEP 18A - SQUARE STRUCTURE

- CRITICAL:**
- 1. SQUARE ASSEMBLY BEFORE PROCEEDING TO NEXT STEPS.
  - 2. ONCE SQUARE TIGHTEN ALL HARDWARE.

MEASUREMENTS TAKEN FROM OUTSIDE POST TO OUTSIDE POST OF STRUCTURE UNLESS NOTED OTHERWISE

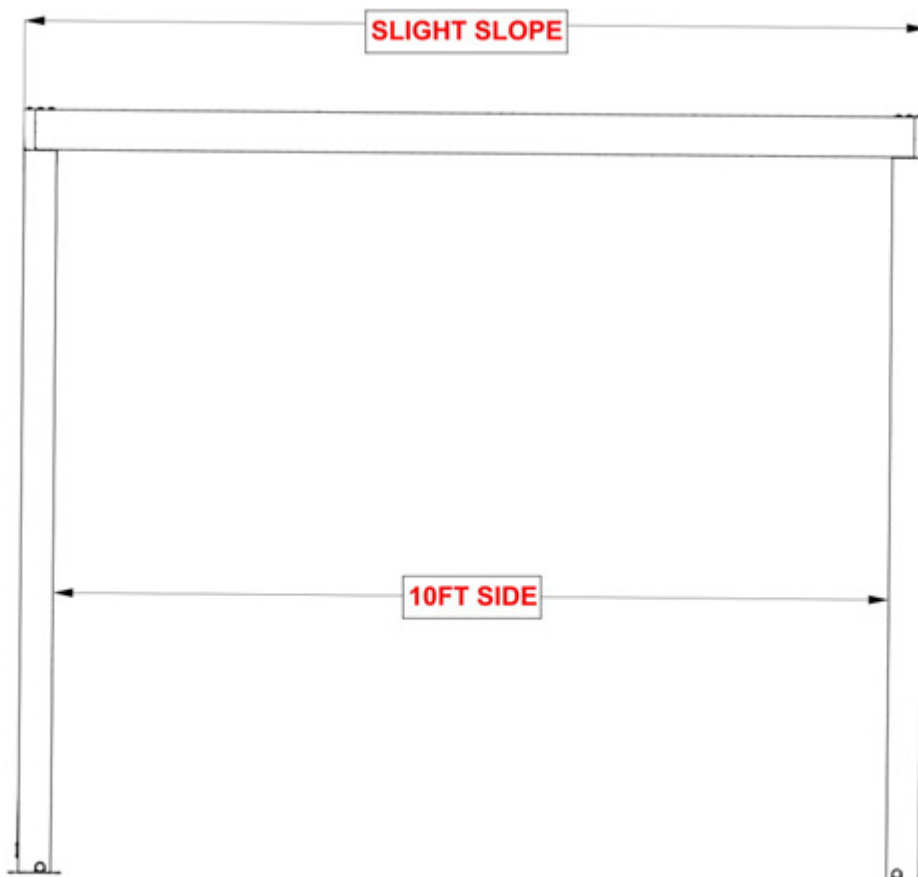
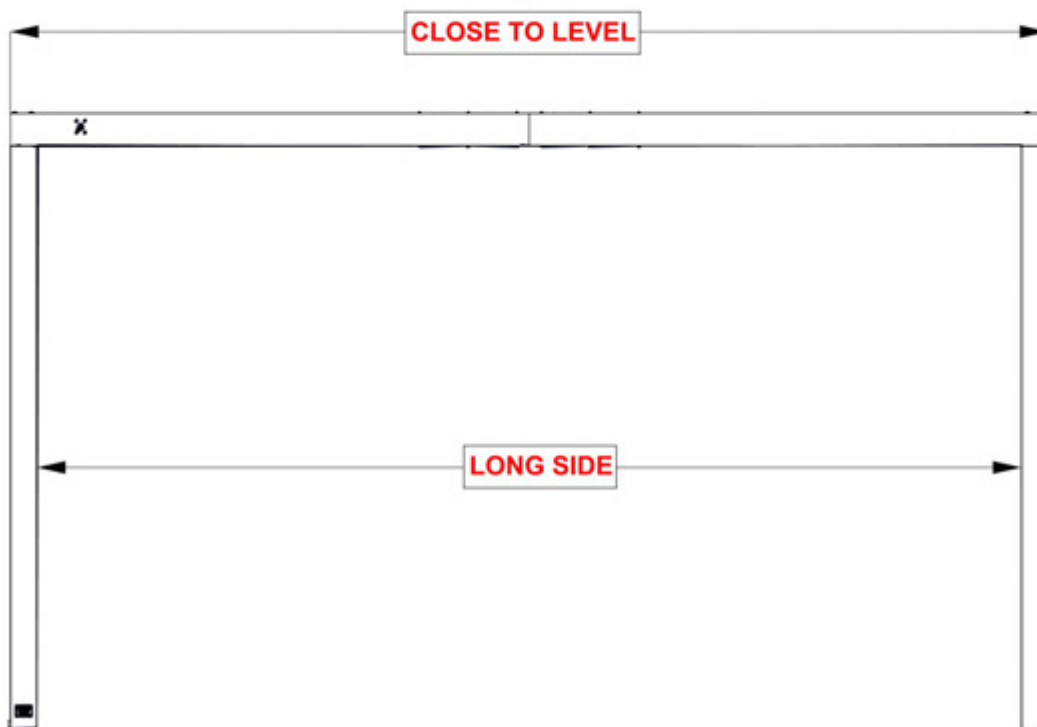


## STEP 18B - POSITIONING THE STRUCTURE

**CRITICAL:**

- FOR YOUR PERGOLA TO DRAIN PROPERLY, THERE MUST BE A SLIGHT SLOPE ON THE 10FT SIDE RUNNING THE LENGTH OF THE LOUVER BLADES.
- IT IS RECOMMENDED THAT THE LONG SIDES ARE LEVEL OR CLOSE TO LEVEL.

- PLACE A LEVEL ON THE LONGER BEAMS TO CONFIRM THE LONG SIDES ARE CLOSE TO LEVEL.
- PLACE A LEVEL ON THE SHORT BEAMS (10FT) SIDE TO CONFIRM YOU HAVE A SLIGHT SLOPE IN ONE DIRECTION.



PLEASE CONTACT BACKYARD DISCOVERY CUSTOMER SERVICE  
IF HELP IS NEEDED POSITIONING YOUR STRUCTURE

# STEP 19 - GUTTER SEALANT



A6P00796 SILICONE  
(x1)

**APPLY A FINE BEAD OF SILICONE ALONG INSIDE SURFACE OF GUTTER WHERE GUTTER PIECES MEET POST.**

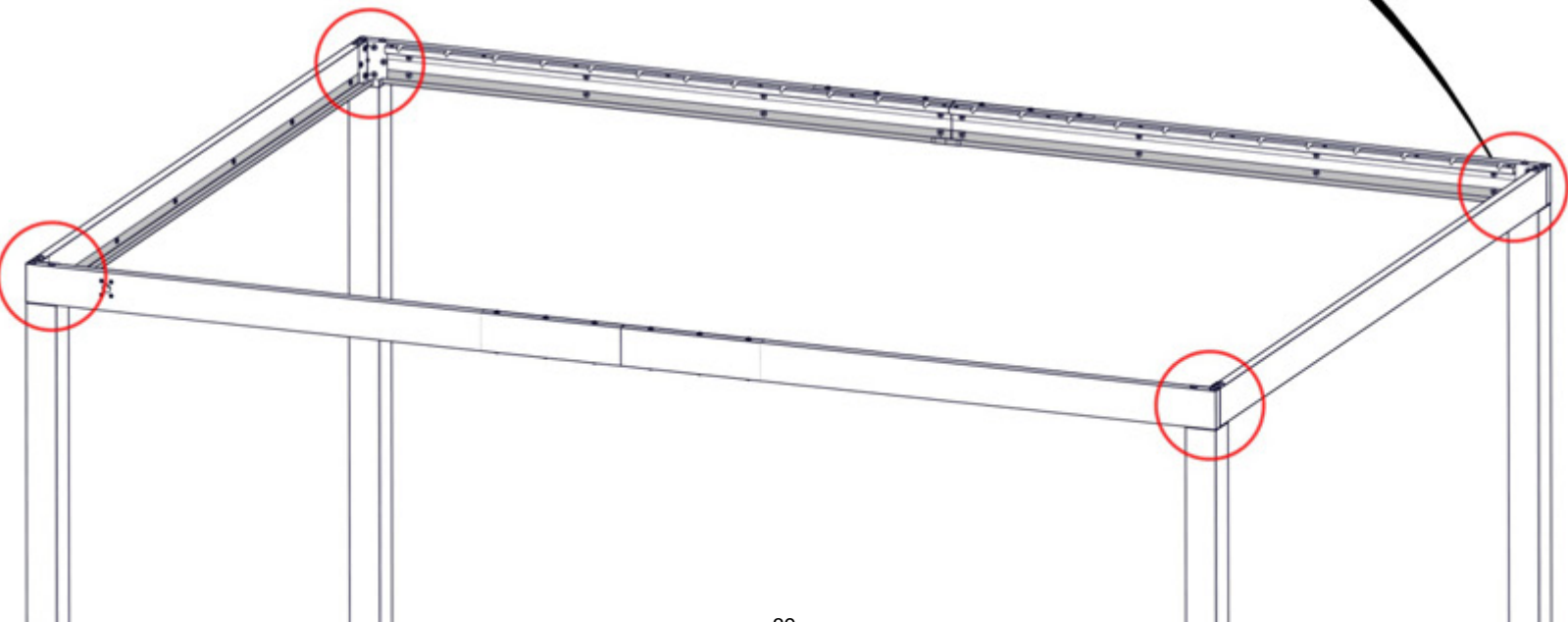
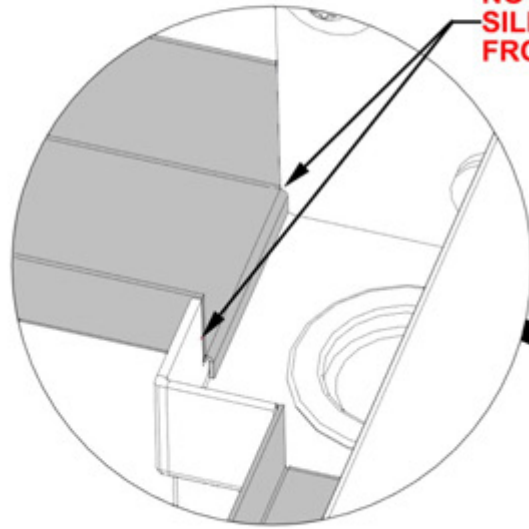
**SMOOTH SILICONE, WIPING EXCESS USING A RAG OR PAPER TOWEL**

**REPEAT THIS STEP FOR ALL GUTTER ATTACHMENT POINTS AT EACH POST**

**TIP: GLOVES ARE RECOMMENDED WHEN APPLYING SILICONE.**

**MAKE SURE SURFACE OF GUTTER IS CLEAN, DRY, AND FREE OF ANY DIRT/DEBRIS**

**NOTE: APPLY A FINE BEAD OF SILICONE TO PREVENT WATER FROM LEAKING**



# STEP 20 - DRIVE LOUVER ASSEMBLY

QTY	PART NUMBER	DESCRIPTION
4	H100408	SCREW PWH 8x1/2 BLK



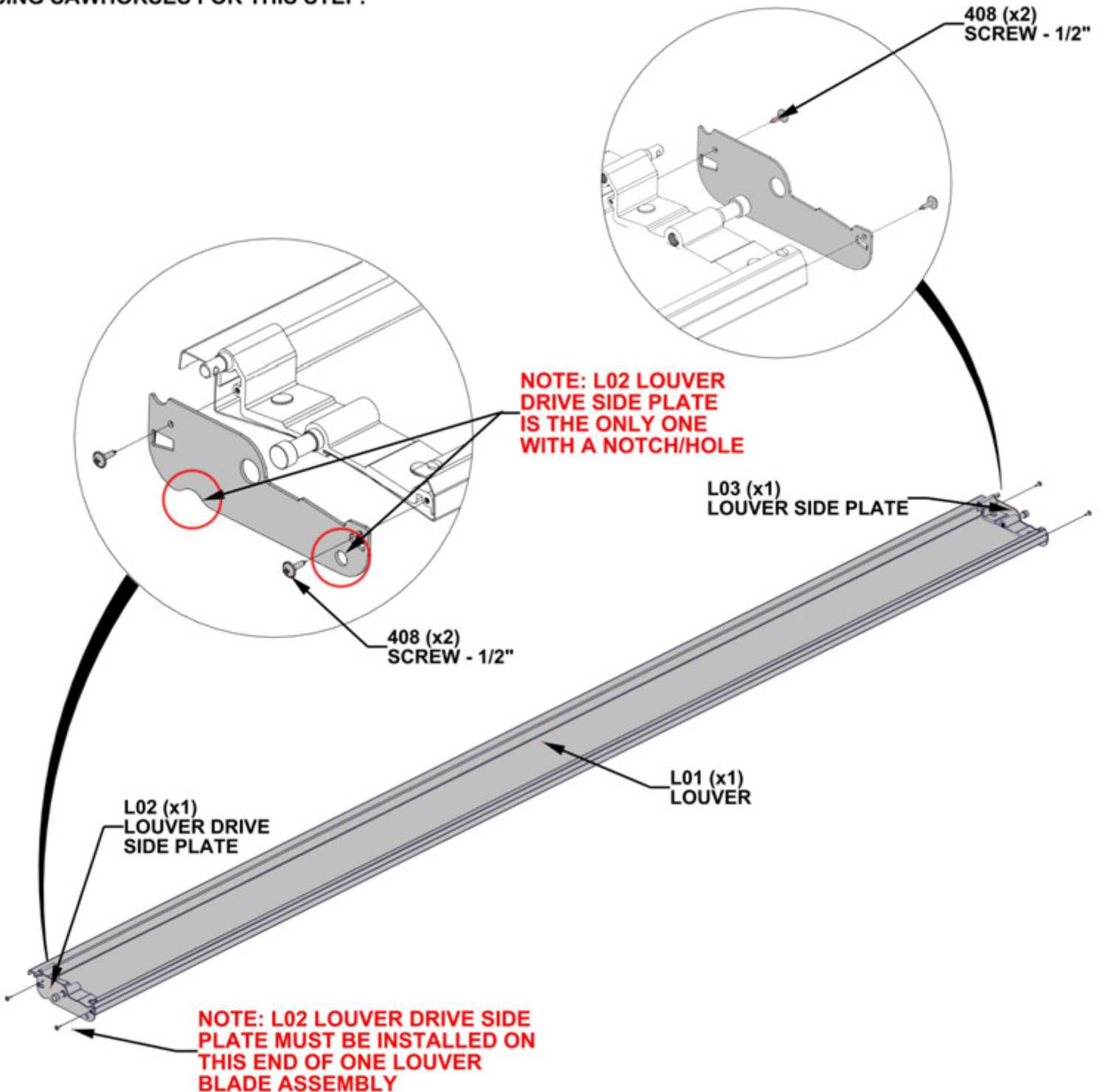
L02 LOUVER DRIVE SIDE PLATE - A4M04139  
(x1) 1/16"x2 3/16"x6 9/16" (2x55x167)



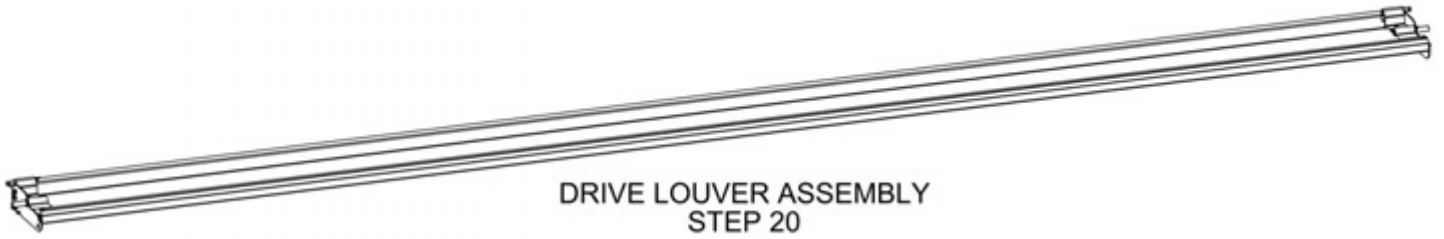
L03 LOUVER SIDE PLATE - A4M04138  
(x1) 1/16"x2 3/16"x6 9/16" (2x55x167)

**- DO NOT OVERTIGHTEN SCREWS**

**- FOR EASE OF ASSEMBLY, WE RECOMMEND USING SAWHORSES FOR THIS STEP.**



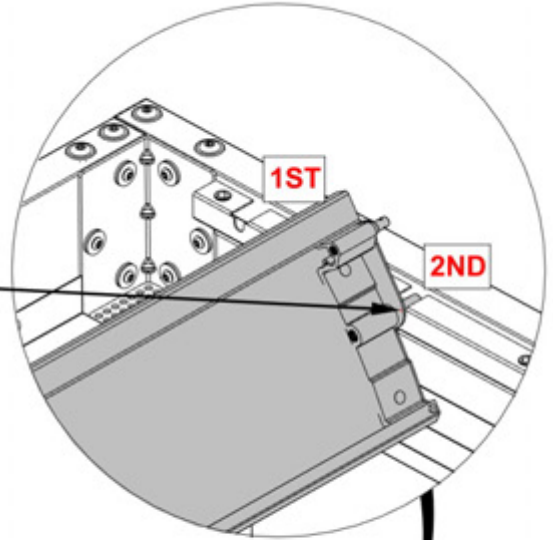
# STEP 21 - DRIVE LOUVER INSTALLATION



**ORIENTATION OF LOUVER WILL BE DETERMINED BY THE SIDE BEAM WITH FOUR THREADED INSERTS**

**PLACE DRIVE LOUVER FROM PREVIOUS STEP IN THE SECOND SET OF LOUVER MOUNT GROOVES. L02 DRIVE PLATE WILL BE ON SAME SIDE AS FOUR THREADED INSERTS IN BEAM.**

**NOTE: PLACE DRIVE LOUVER ASSEMBLY IN THE SECOND SET OF LOUVER MOUNT GROOVES**



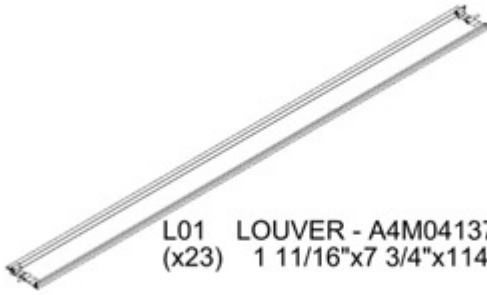
**L02  
LOUVER DRIVE  
SIDE PLATE**

**NOTE: L02 SIDE PLATE  
MUST BE ON THE SAME  
END AS THE FOUR  
THREADED INSERTS**

**DRIVE LOUVER  
ASSEMBLY  
STEP 20**

# STEP 22 - LOUVER ASSEMBLY

QTY	PartNo	Description
92	H100408	SCREW PWH 8x1/2 BLK



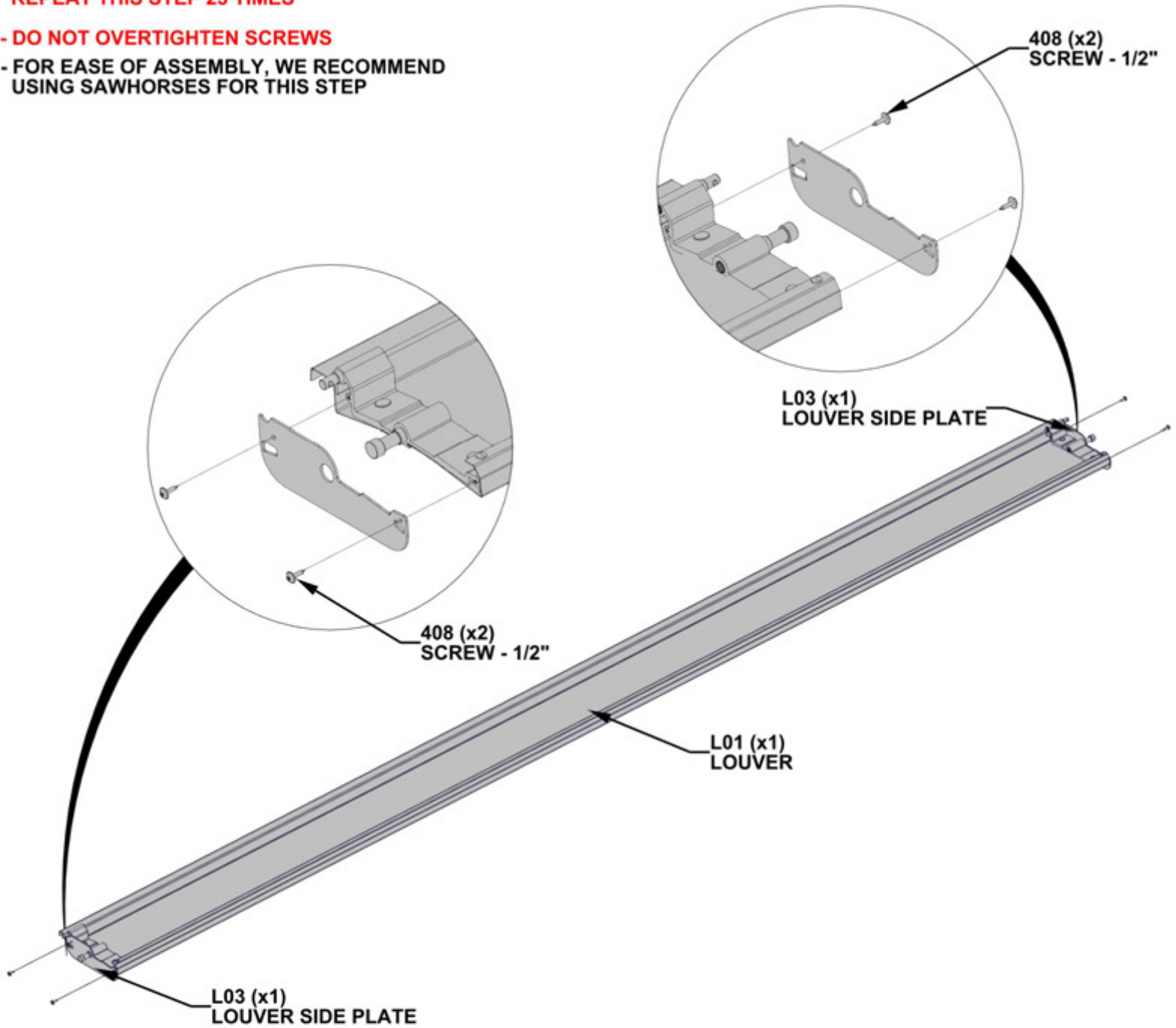
L01 LOUVER - A4M04137  
(x23) 1 11/16"x7 3/4"x114 5/16" (42x196x2904)



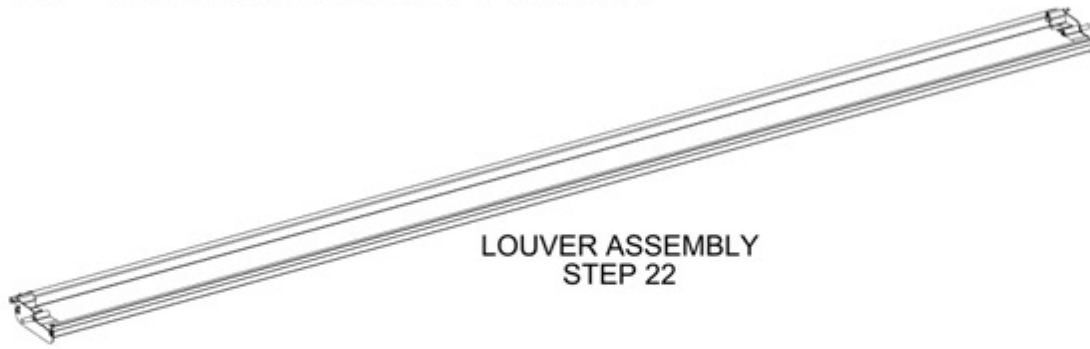
L03 LOUVER SIDE PLATE - A4M04138  
(x46) 1/16"x2 3/16"x6 9/16" (2x55x167)

**REPEAT THIS STEP 23 TIMES**

- DO NOT OVERTIGHTEN SCREWS
- FOR EASE OF ASSEMBLY, WE RECOMMEND USING SAWHORSES FOR THIS STEP

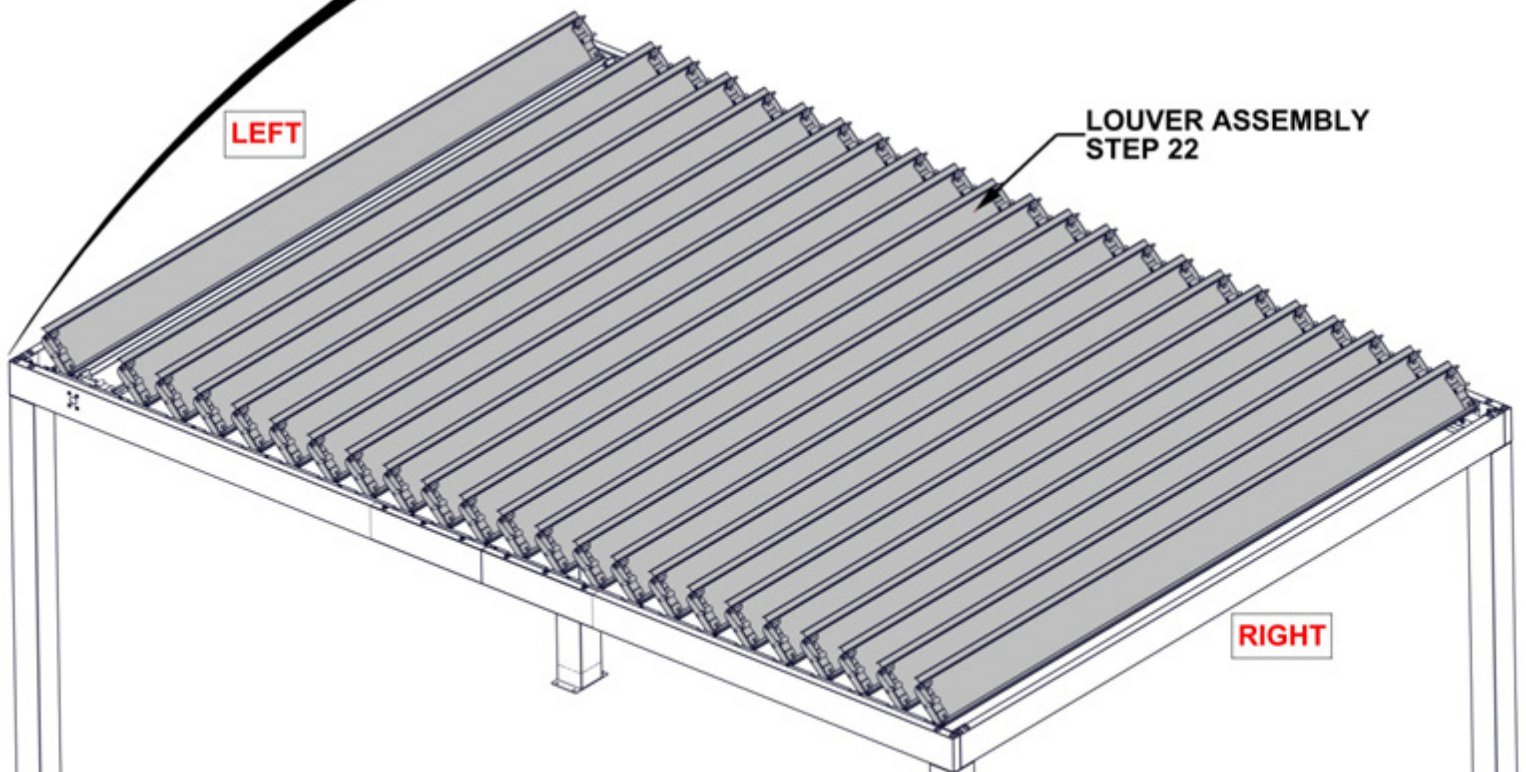
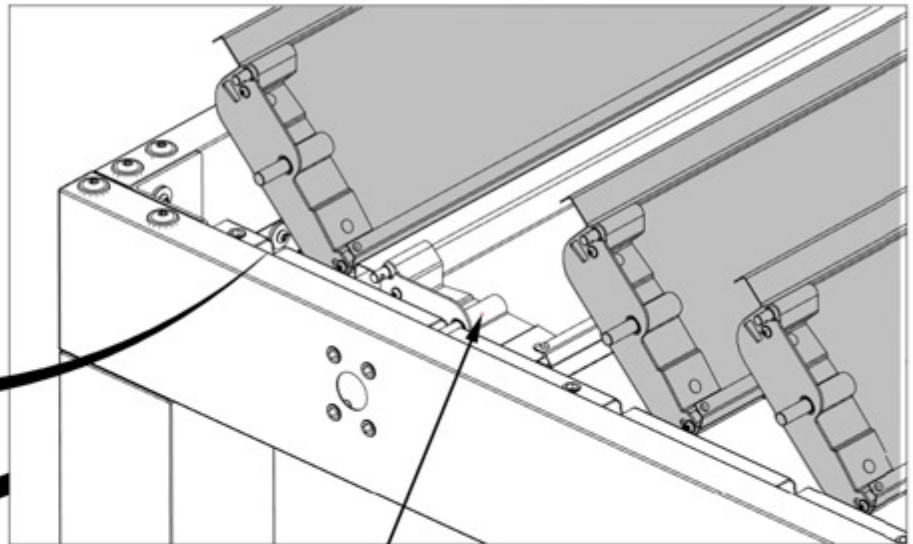
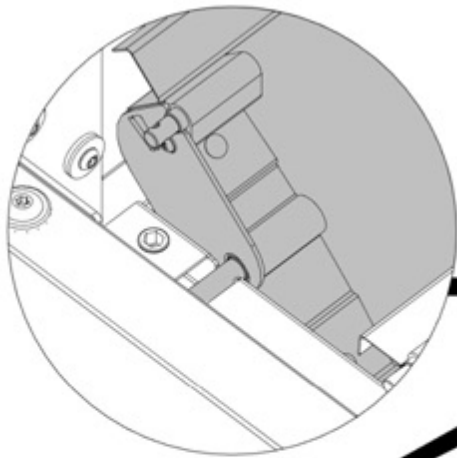


# STEP 23 - LOUVER INSTALLATION



**STARTING AT THE LEFT SIDE AND WORKING TO THE RIGHT, CAREFULLY SET EACH LOUVER ASSEMBLY ONE AT A TIME INTO LOUVER MOUNTS AT EACH END**

**NOTE: MAKE SURE ALL LOUVER BLADE ASSEMBLIES ARE ORIENTED IN THE SAME DIRECTION**



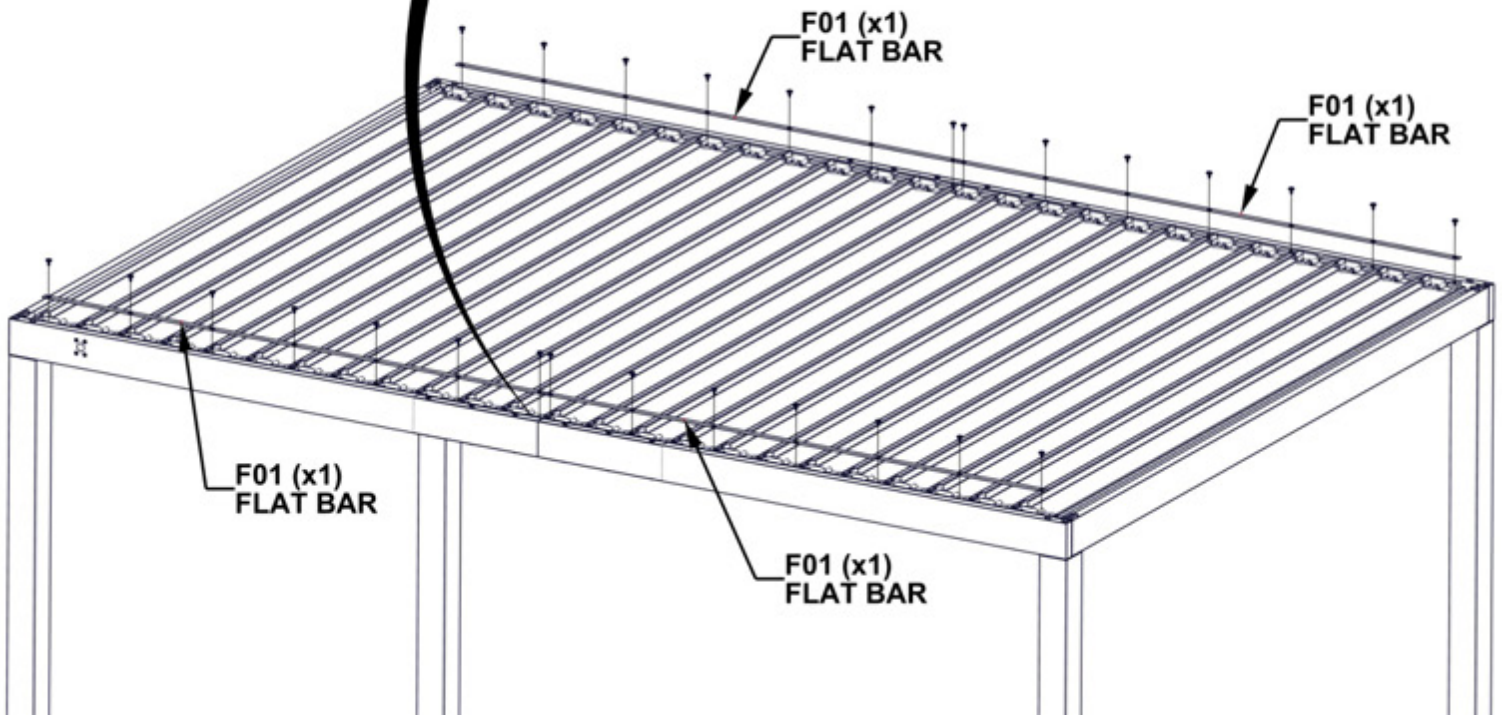
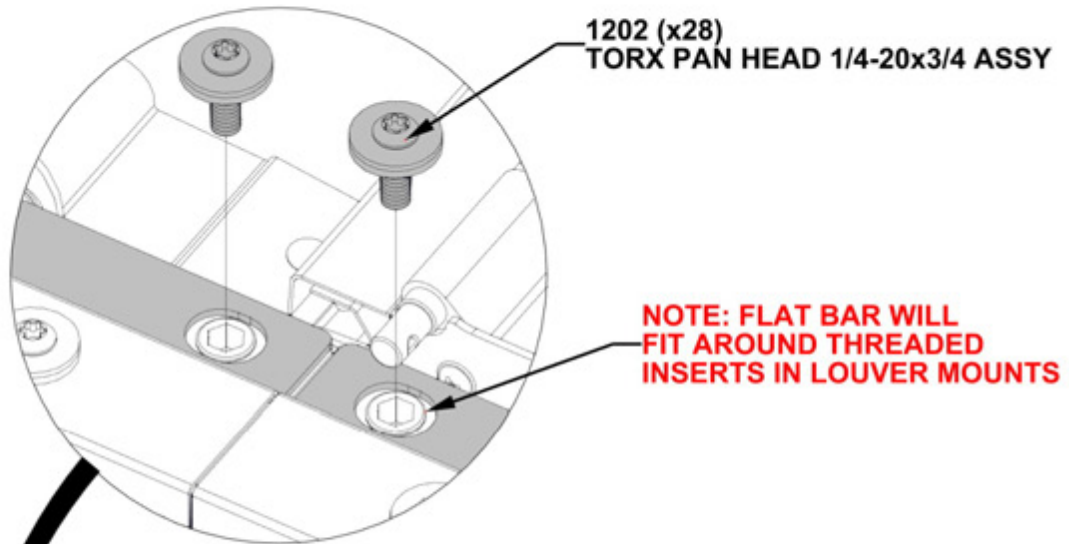
# STEP 24 - LOUVER INSTALLATION



QTY	PartNo	Description
28	H101202	TORX PAN HEAD 1/4-20x3/4 ASSY

F01 FLAT BAR - A4M02129  
(x4) 1/16"x1"x79 5/16" (2x25x2015)

**ATTACH FLAT BAR ALONG EACH LOUVER MOUNT.  
FLAT BAR WILL HOLD ALL LOUVERS IN PLACE**

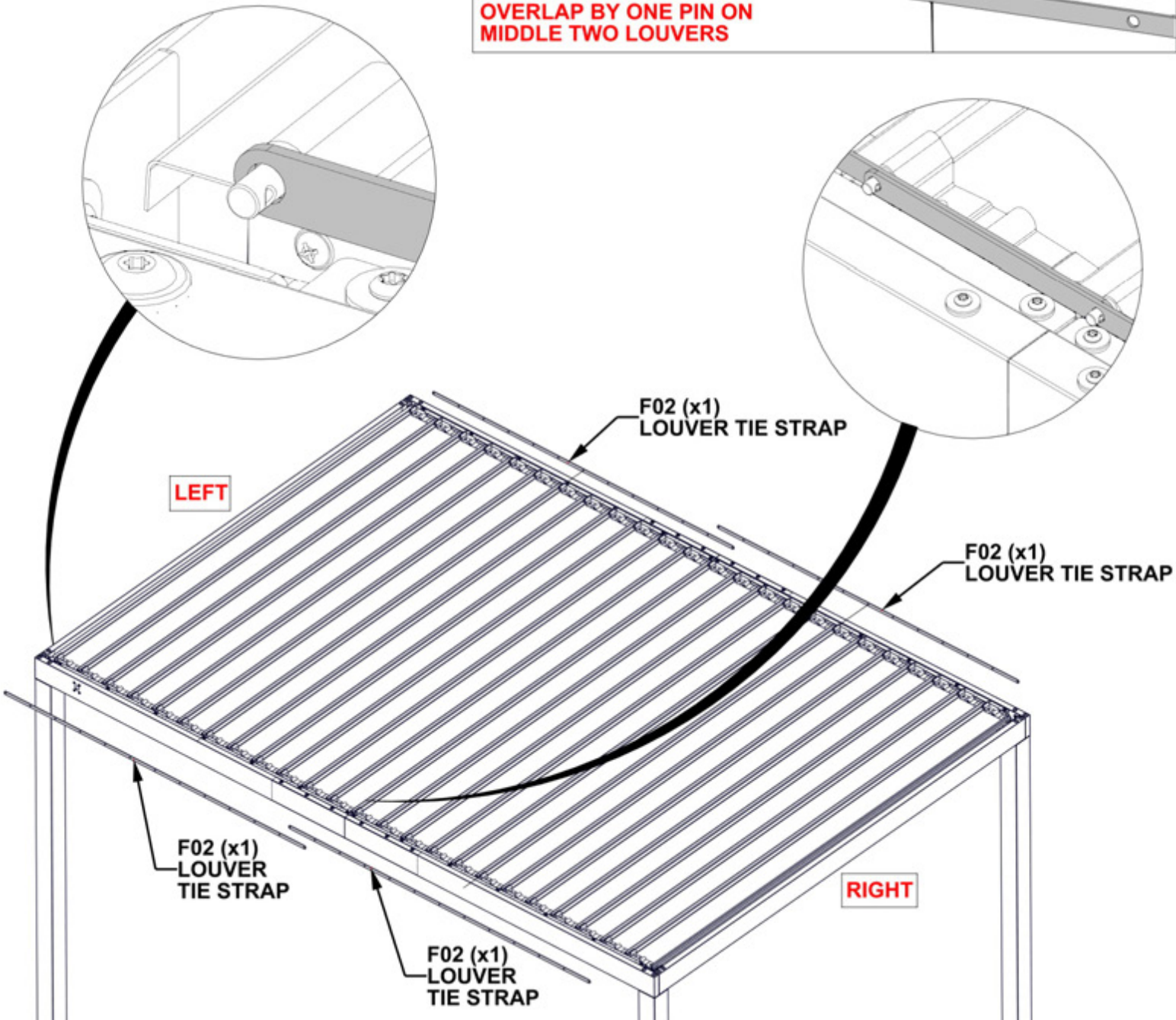
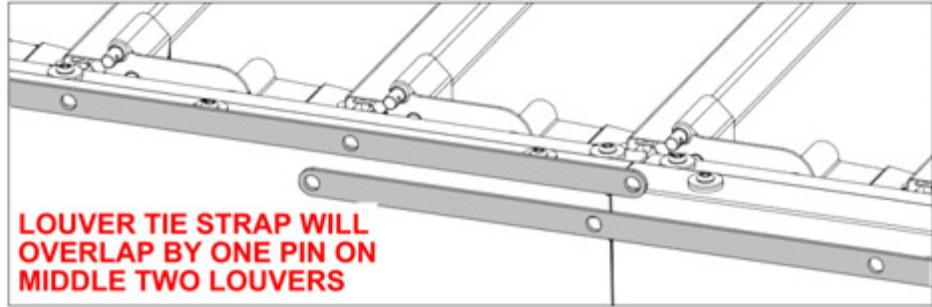


# STEP 25A - LOUVER INSTALLATION

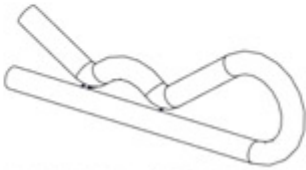
F02 LOUVER TIE STRAP - A4M02130  
(x4) 1/8"x13/16"x81 9/16" (3x20x2072)

**LOUVER TIE STRAPS WILL CONNECT ALL LOUVERS TO ONE ANOTHER**

**STARTING ON THE LEFT AND WORKING TO THE RIGHT, CONNECT LOUVERS USING TIE STRAPS. OVERLAP TIE STRAPS TO HOLD MIDDLE LOUVERS TOGETHER**

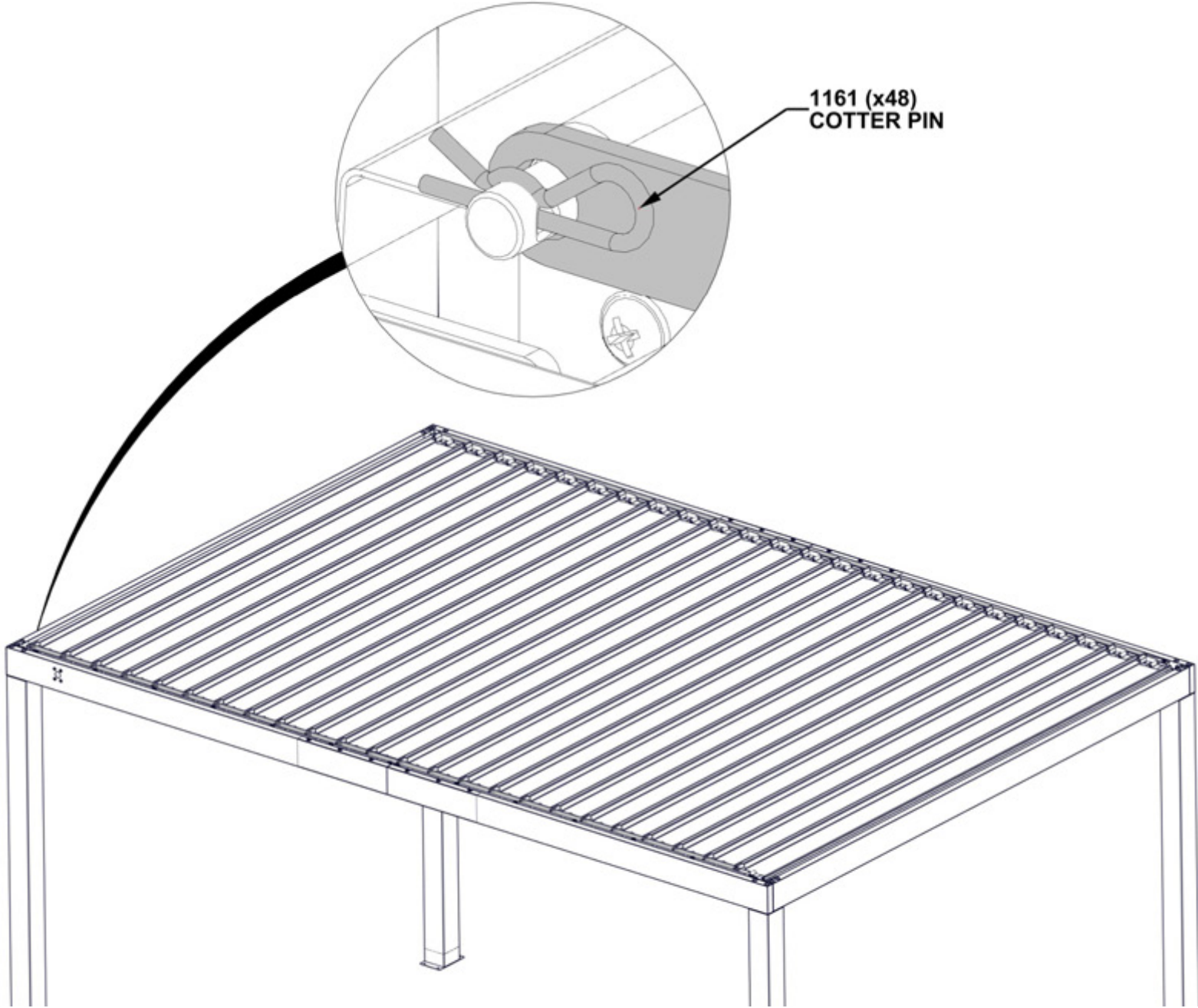


# STEP 25B - LOUVER INSTALLATION



H101161 COTTER PIN  
(x48)

**INSTALL COTTER PINS ON EACH LOUVER  
TO HOLD TIE STRAPS IN PLACE**



1161 (x48)  
COTTER PIN

# STEP 26 - LOUVER MECHANISM

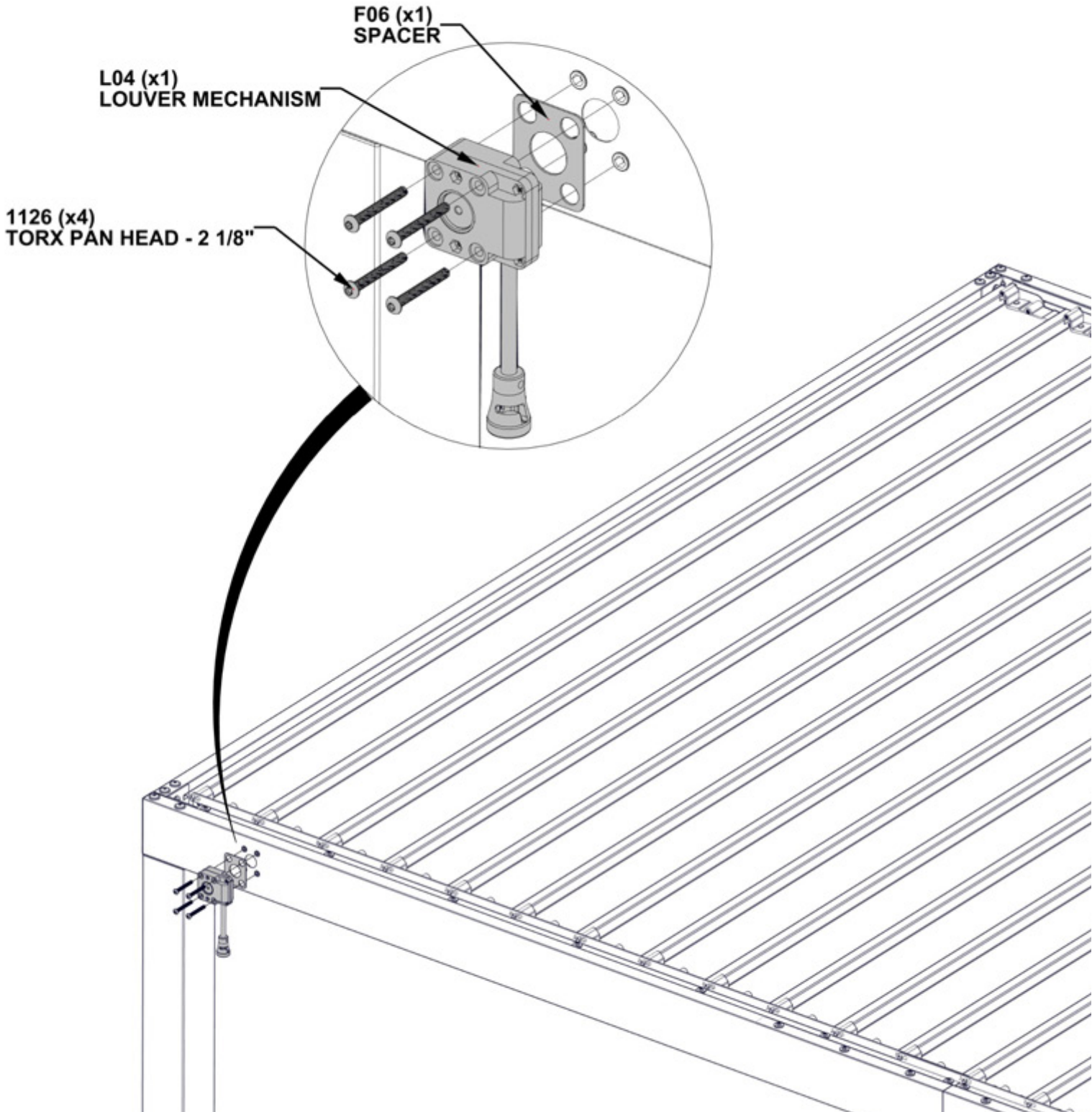
QTY	PartNo	Description
4	H101126	TORX PAN HEAD 1/4-20x2 1/8"



L04 (x1) LOUVER MECHANISM  
A4M02132



F06 (x1) SPACER - A4M02227  
1/16"x2 3/16"x2 3/4" (1.5x56x70)



# STEP 27 - LOUVER MECHANISM

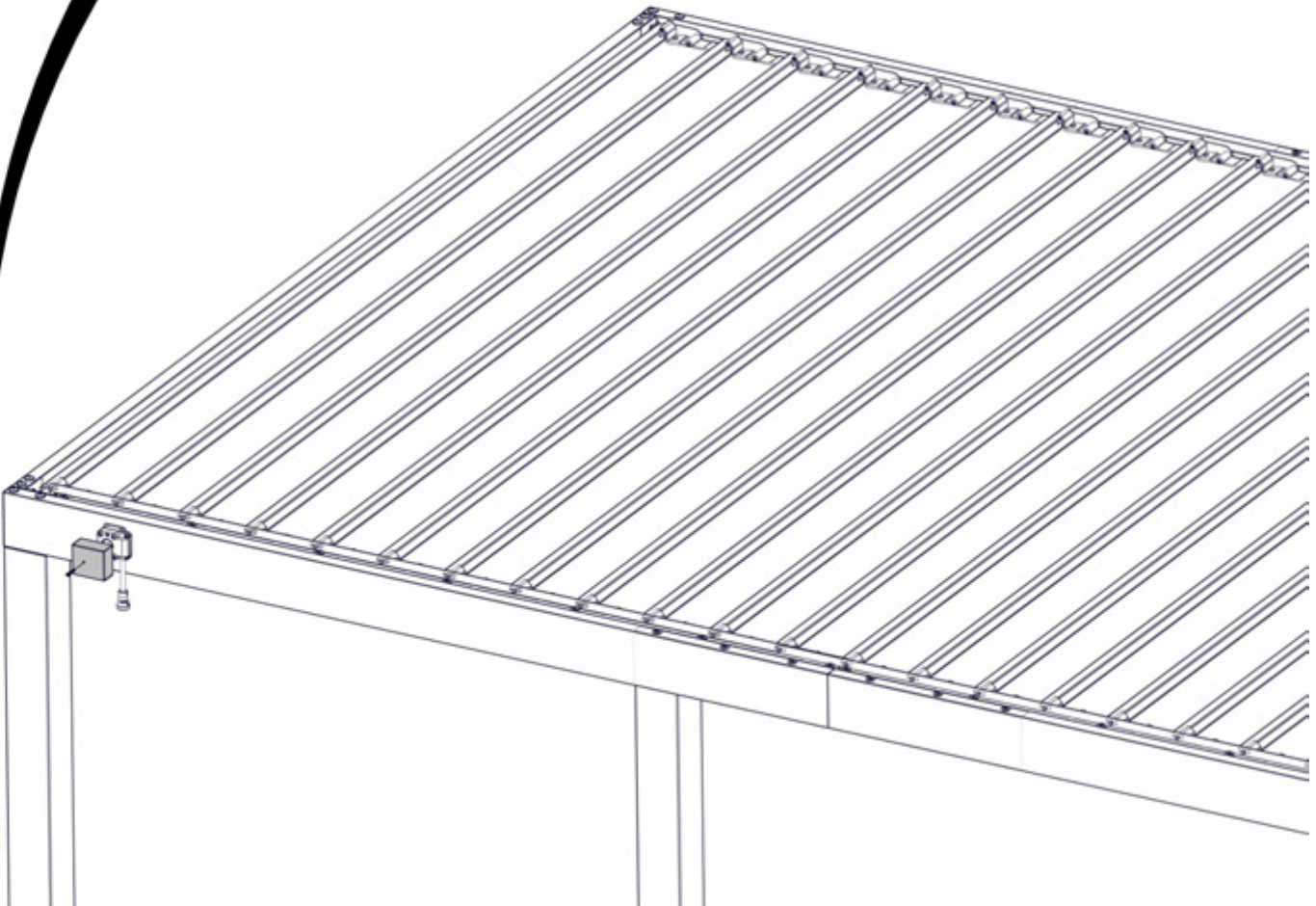
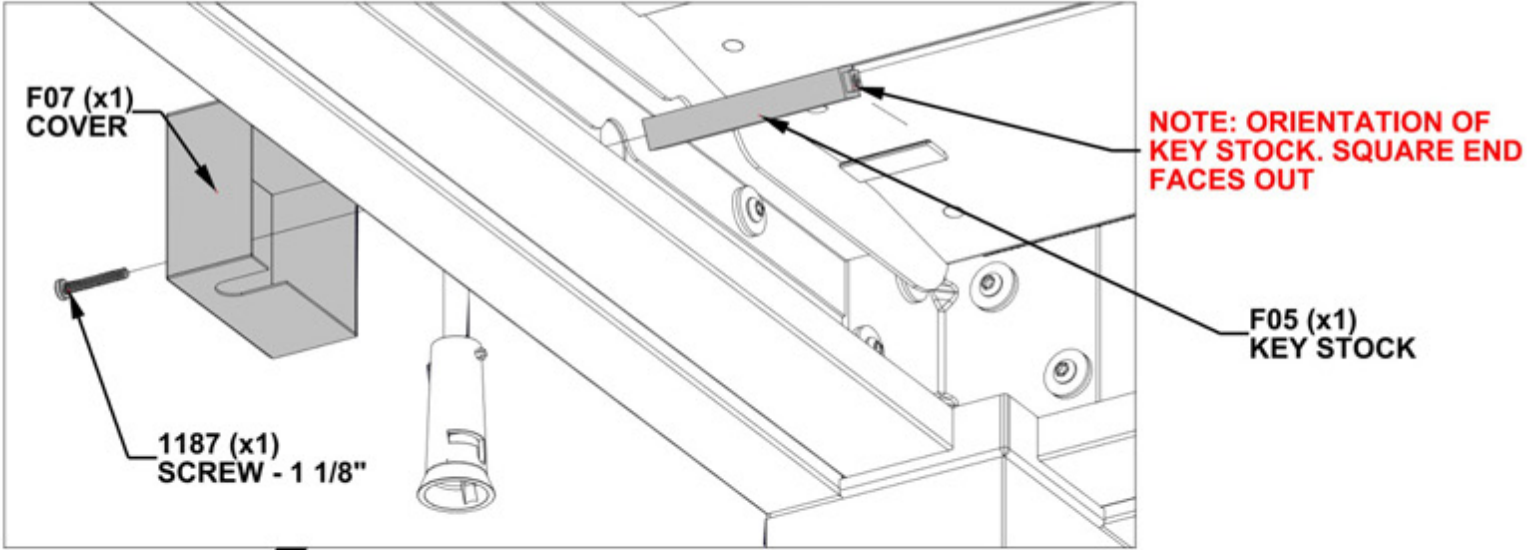
QTY	PartNo	Description
1	H101187	BOLT PPH 8-32x1 1/8 BLK



F07 COVER - A4M02228  
(x1) 1 9/16"x2 7/8"x3 1/4" (39.5x73x82)

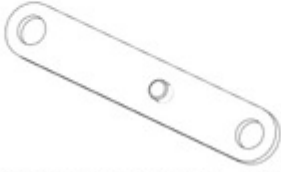


F05 KEY STOCK - A4M02226  
(x1) 1/2"x1/2"x3 3/4" (13x13x95)



# STEP 28A - LOUVER MECHANISM

QTY	PartNo	Description
1	H100653	NUT LOCK 1/4 BLK
1	H101189	LOW PROFILE SHOULDER BOLT 1/4-20x.375
2	H100474	WASHER FLAT 9x18 BLK



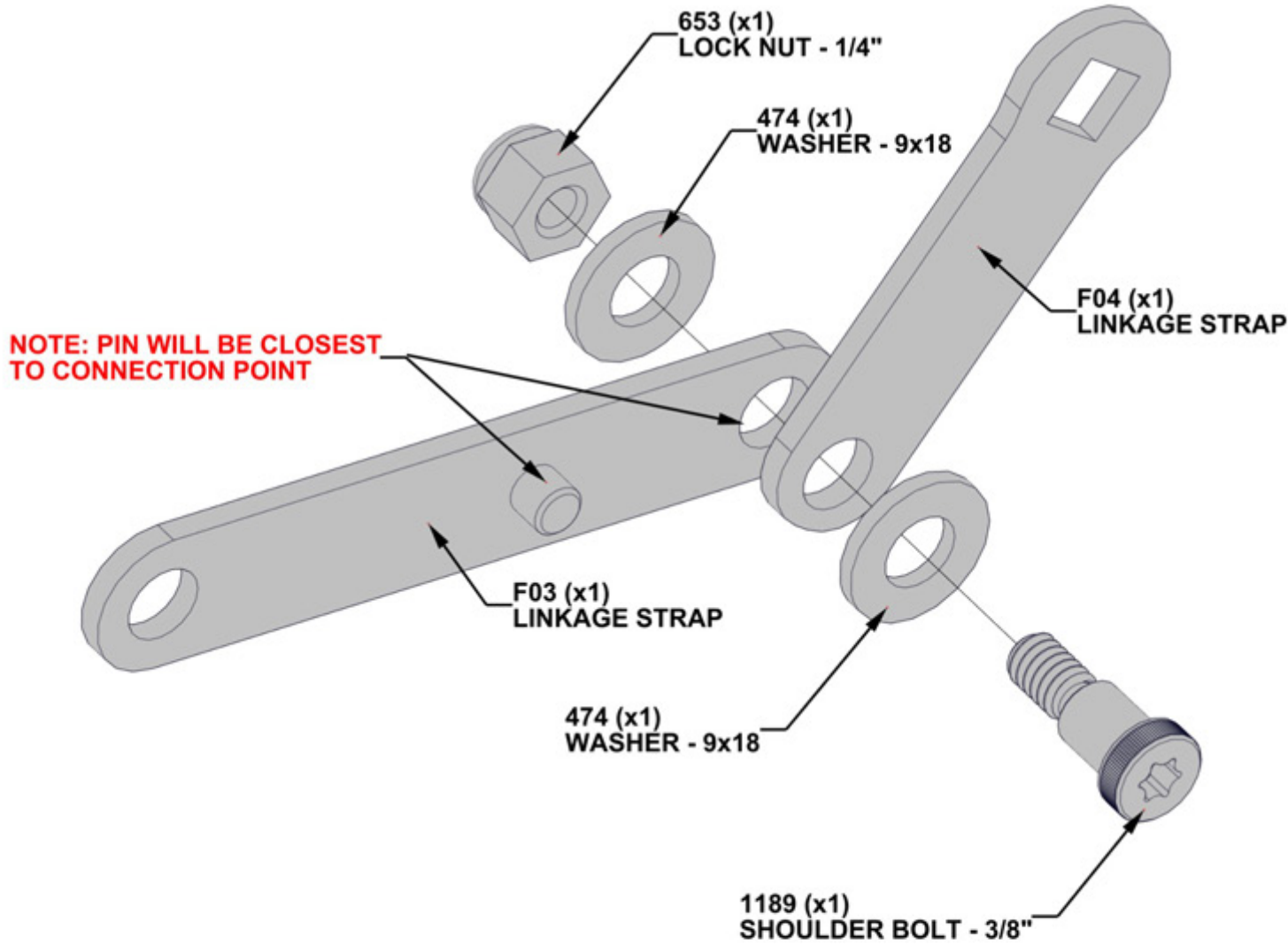
F03 LINKAGE STRAP - A4M02229  
(x1) 1/2"x11/16"x3 13/16" (13x17x97)



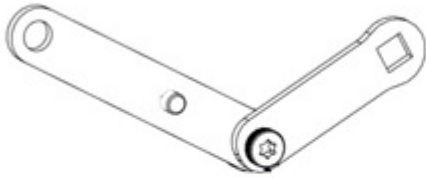
F04 LINKAGE STRAP - A4M02225  
(x1) 1/8"x13/16"x2 5/8" (3x20x66)

**LINKAGES MUST BE ORIENTED AS SHOWN BELOW.  
DO NOT OVERTIGHTEN HARDWARE.**

**LINKAGES SHOULD BE ABLE TO ROTATE FREELY.**



# STEP 28B - LOUVER MECHANISM

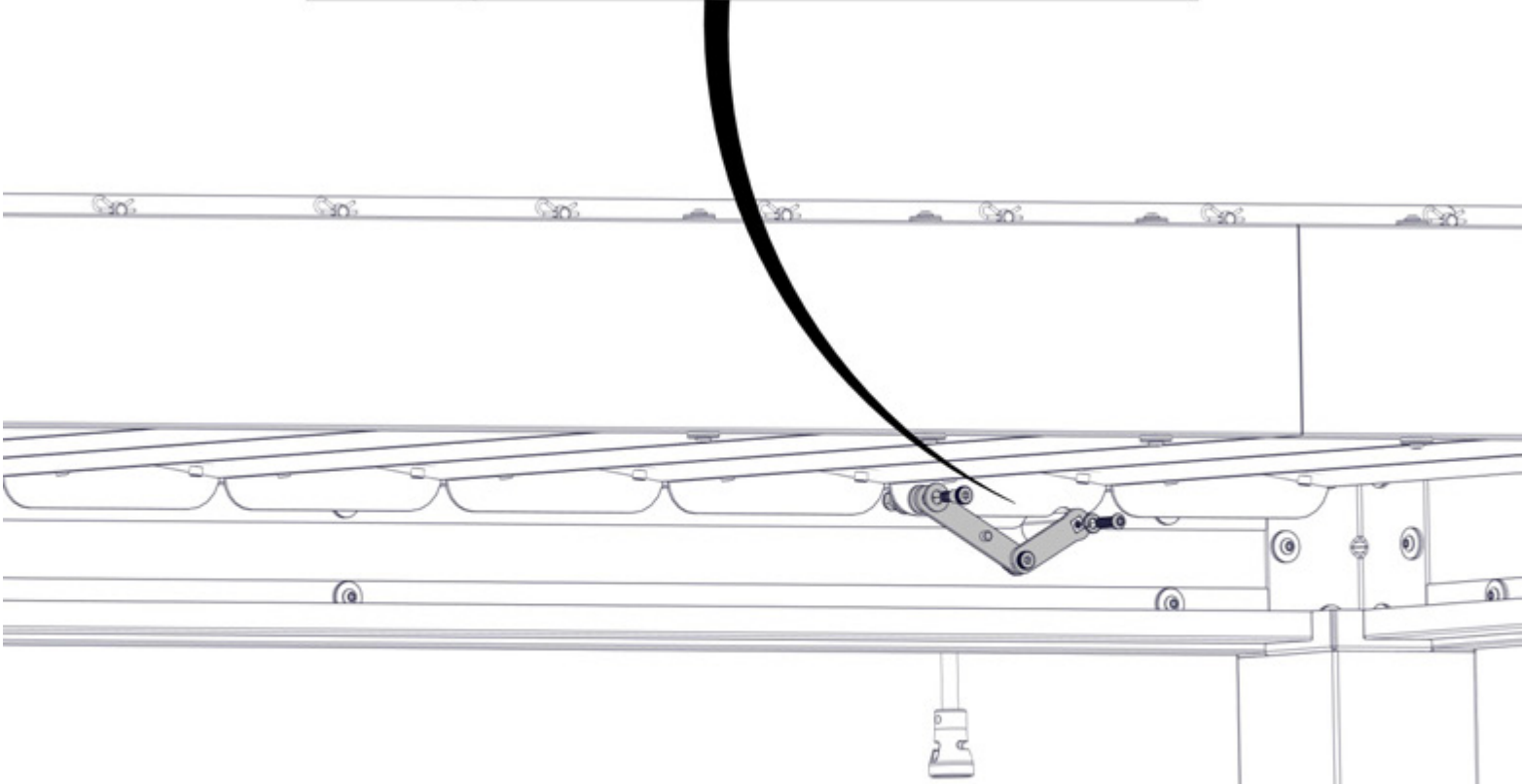
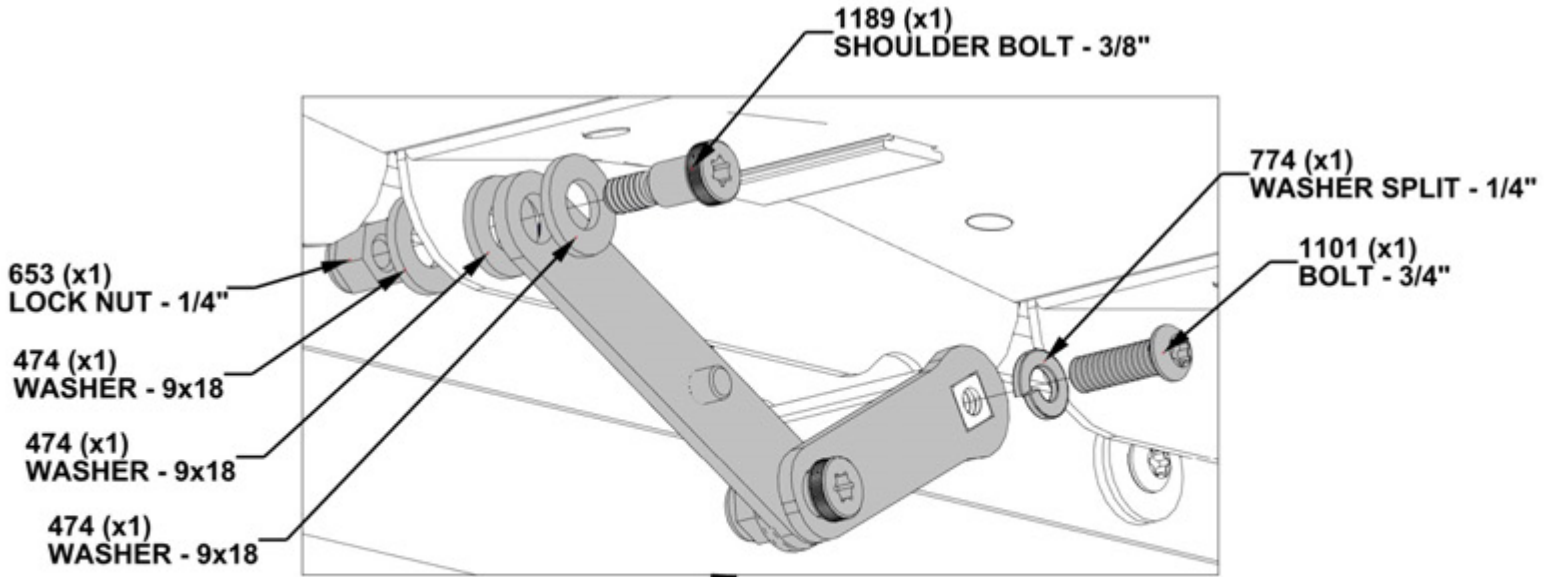


LINKAGE ASSEMBLY  
STEP 28A

QTY	PartNo	Description
1	H101101	TORX PAN HEAD 1/4-20x3/4"
1	H100774	WASHER SPLIT 1/4 BLK
1	H101189	LOW PROFILE SHOULDER BOLT 1/4-20x.375
1	H100653	NUT LOCK 1/4 BLK
3	H100474	WASHER FLAT 9x18 BLK

**LINKAGES MUST BE ORIENTED AS SHOWN BELOW.  
DO NOT OVERTIGHTEN HARDWARE.**

**LINKAGES SHOULD BE ABLE TO ROTATE FREELY.**

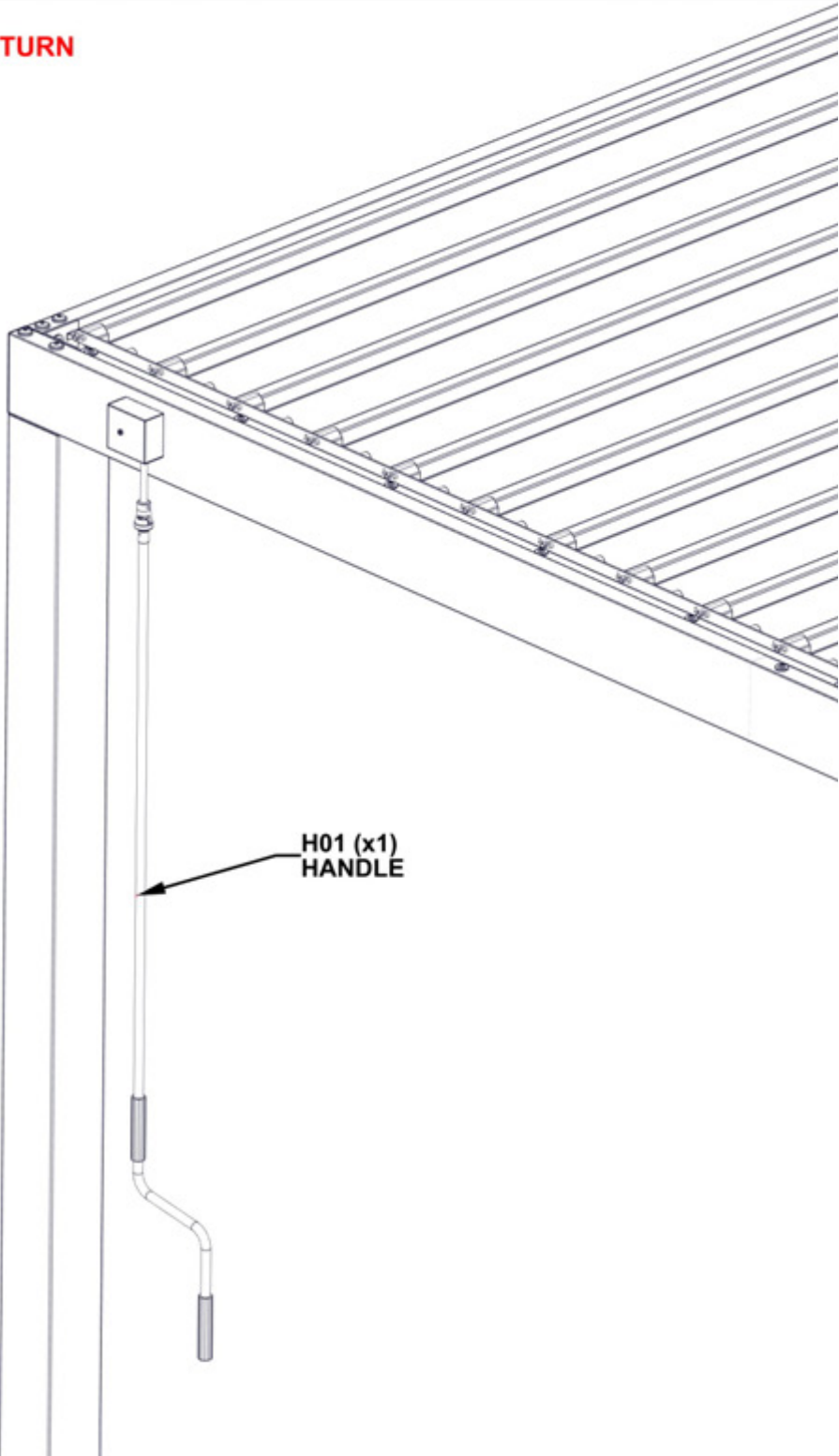


# STEP 28C - LOUVER MECHANISM



H01 HANDLE  
(x1) A4M04022

**CONNECT CRANK HANDLE TO MECHANISM. TURN HANDLE TO LOCK IN PLACE.**



# STEP 29 - PERGOLA ANCHORING

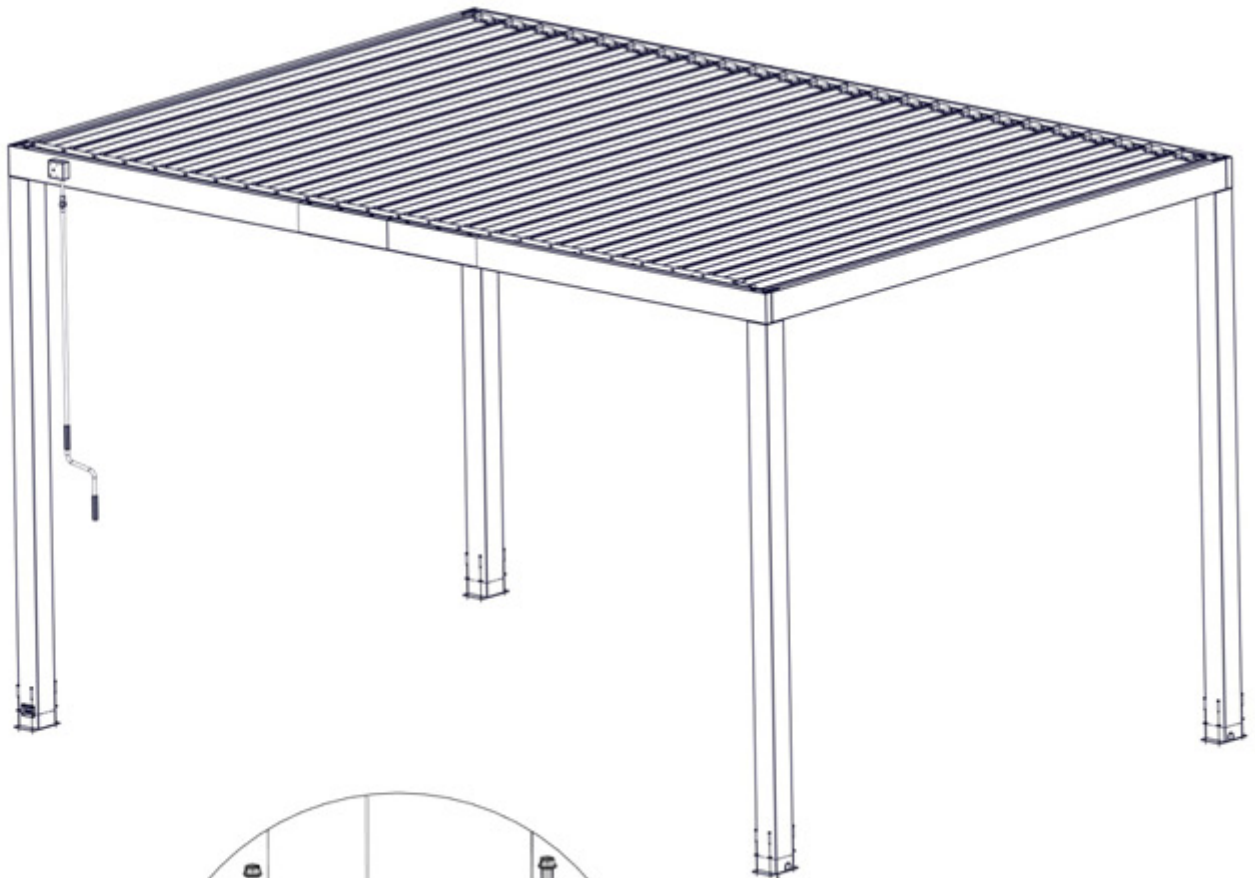
QTY	PartNo	Description
16	H100630	WASHER FLAT 8x19 BLK
16	H100120	CONCRETE ANCHOR

**NOTES:**  
MANUFACTURER RECOMMENDS INSTALLATION ON CONCRETE SURFACE OR CONCRETE POST PADS. SEE BELOW.

FOR INSTALLATION ON WOOD DECKS, YOU MUST ENSURE THERE IS AMPLE STRUCTURAL SUPPORT UNDER DECK.

REPEAT THIS STEP FOR ALL FOUR POSTS.

**NOTES:**  
PRE-DRILL HOLES FOR CONCRETE ANCHORS USING A 3/16" CONCRETE DRILL BIT.

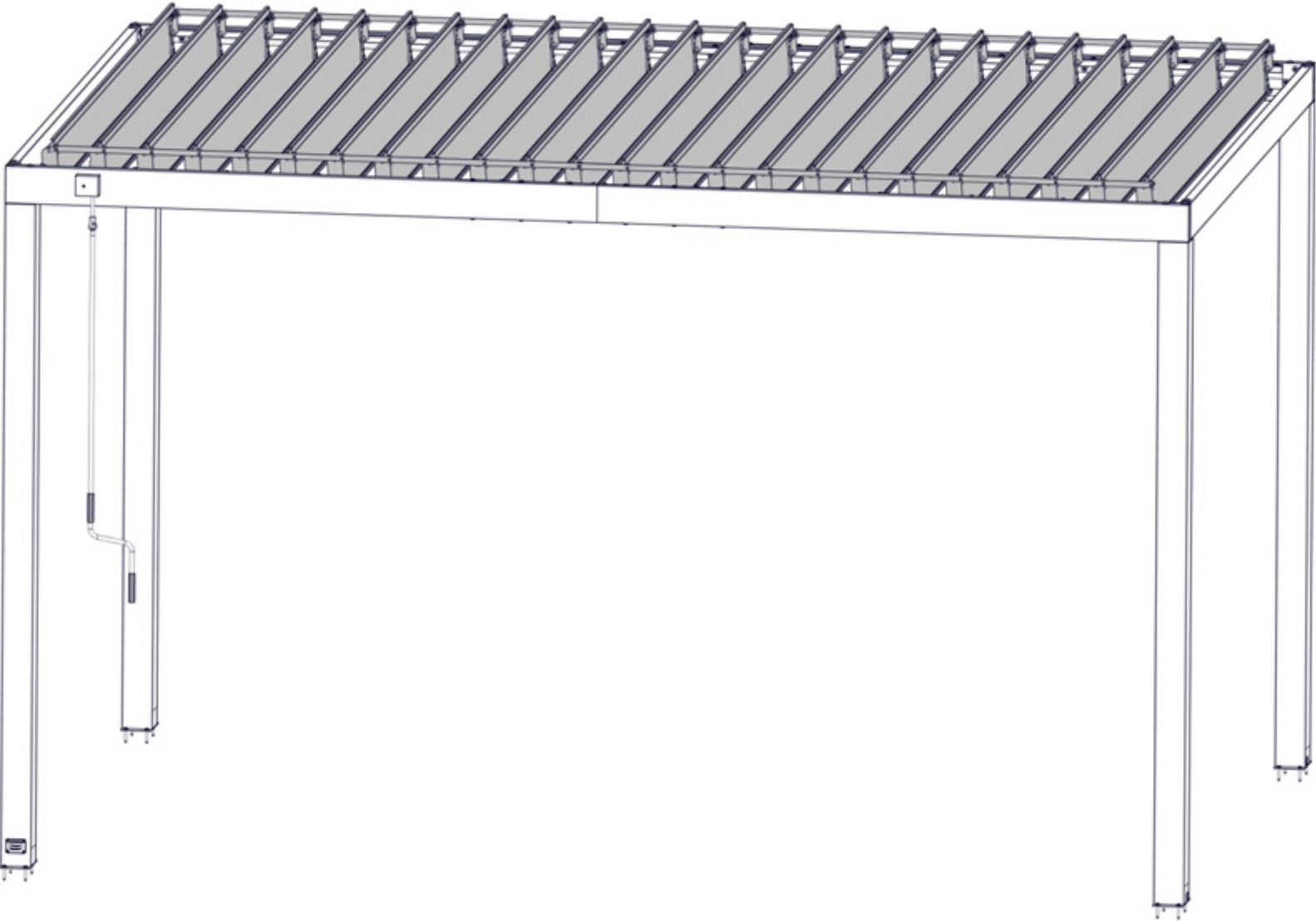


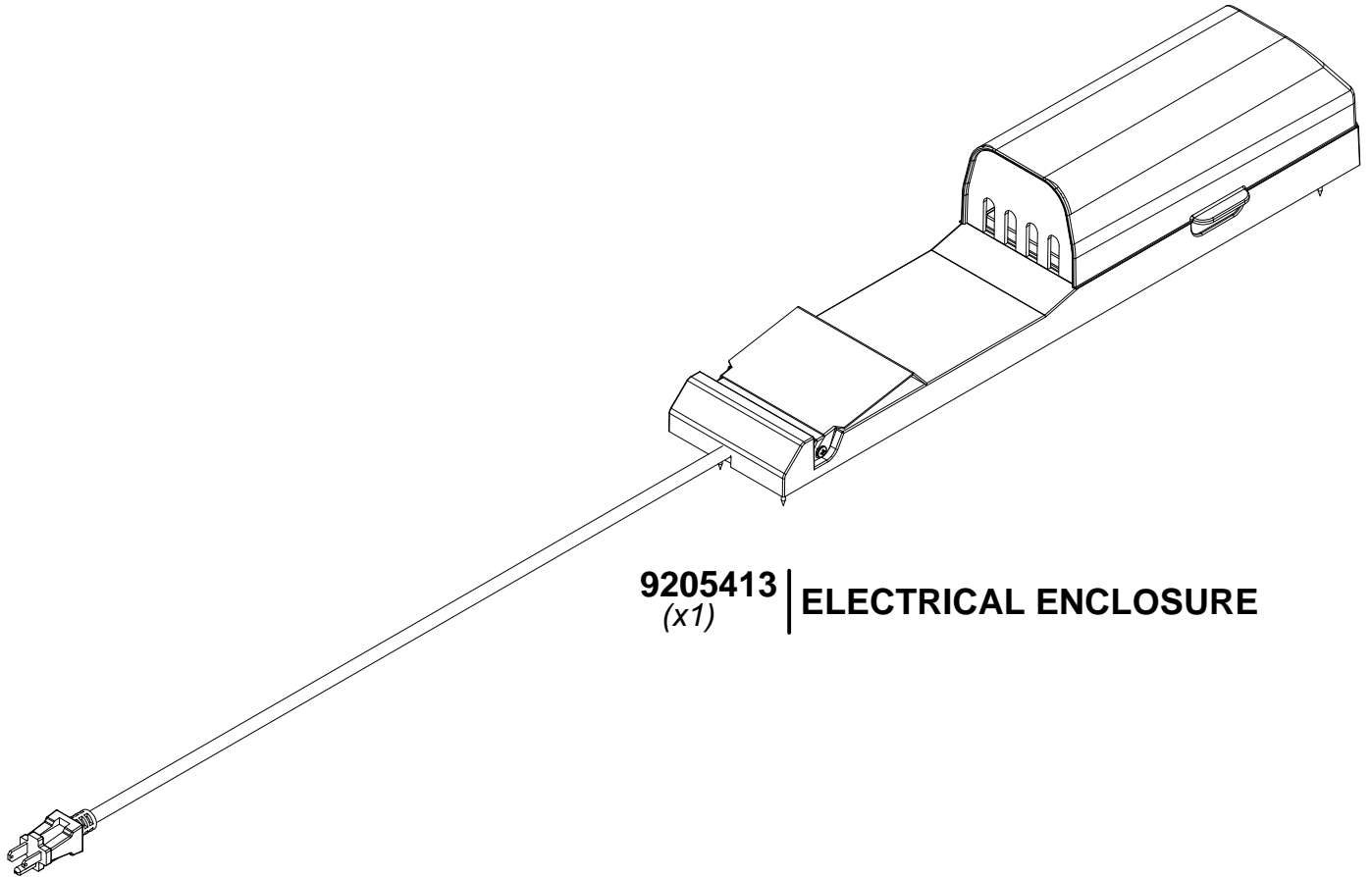
120 (x4)  
CONCRETE SCREW-2"

630 (x4)  
WASHER - 8x19

# STEP 30 - PREVENTATIVE MAINTENANCE

**NOTE - IT IS IMPORTANT TO TAKE CAUTION WHEN HIGH WINDS OR WINTER WEATHER SUCH AS ICE OR SNOW IS EXPECTED. IF INCLEMENT WEATHER ARISES, IT IS RECOMMENDED TO TURN LOUVERS INTO THE FULLY OPEN (UPRIGHT) POSITION. THIS WILL PREVENT DAMAGE TO THE STRUCTURE AND DECREASE THE CHANCES OF STRUCTURE OR LOUVER DAMAGE.**





**9205413** | **ELECTRICAL ENCLOSURE**  
*(x1)*

FOR POWERPORT INSTALLATION REFER TO ASSEMBLY INSTRUCTIONS THAT COME PACKAGED WITH THE POWERPORT KIT. INSTALL ON ANY EXTERIOR POST THAT IS DESIRED. FOLLOW DIRECTIONS FOR PROPER INSTALLATION.