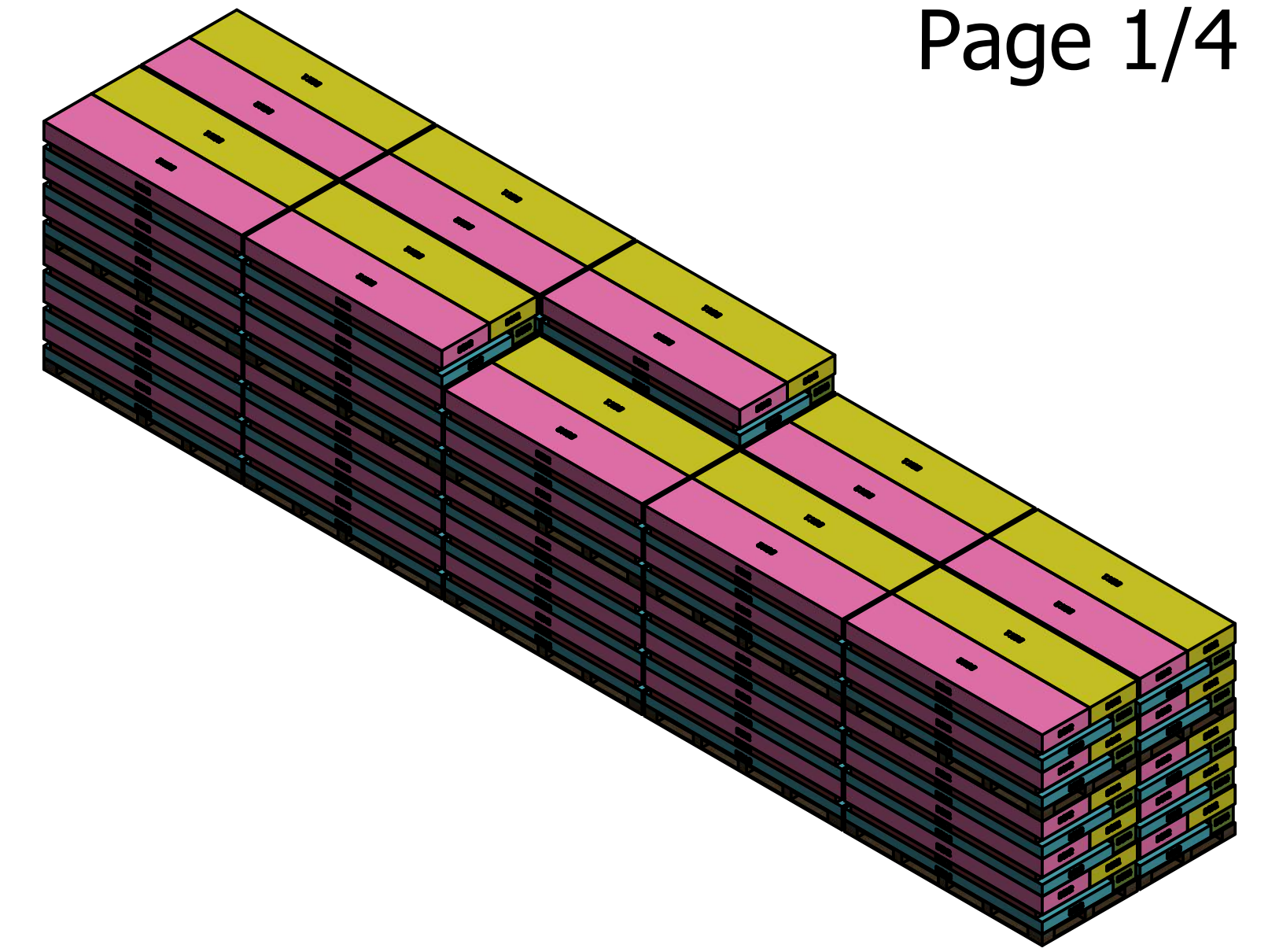


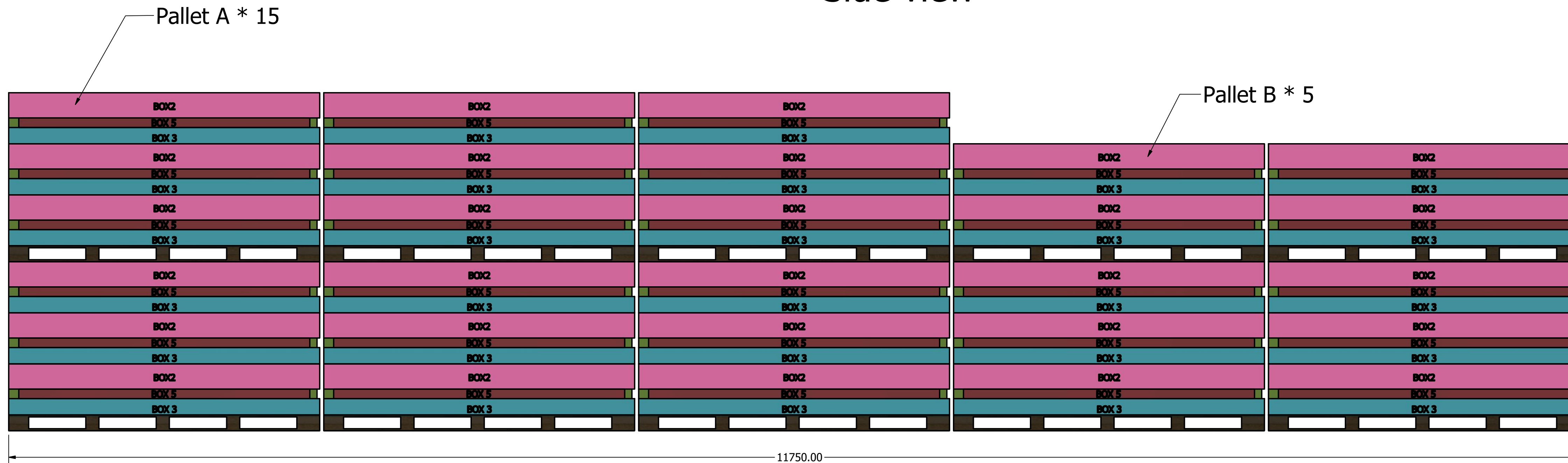
# 2406018 14x10 NORWOOD GAZEBO Container Loading Diagram

( 1 set=5 boxes 55 sets/40HQ, 20 pallets/ 40HQ, Gross Weight: 20140kg)

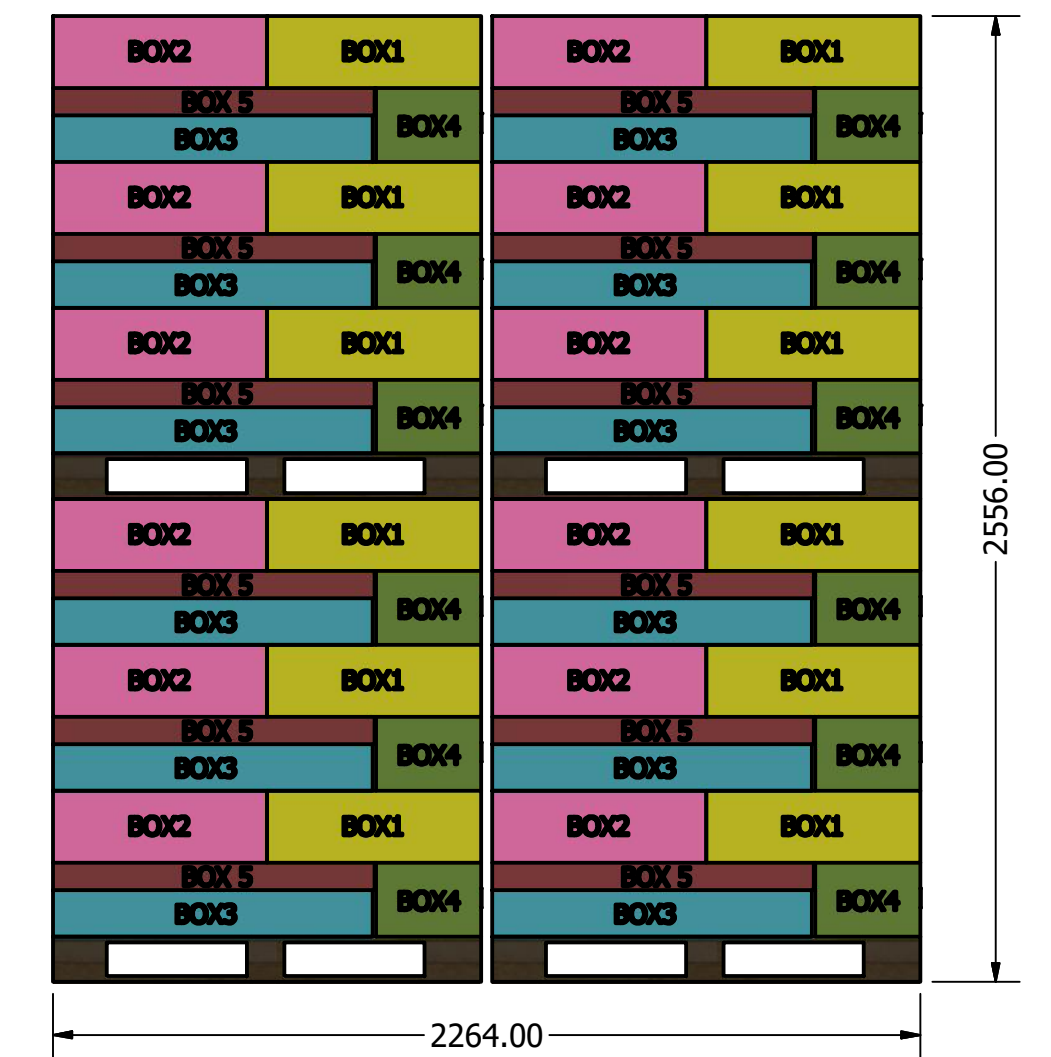
Top view



Side view

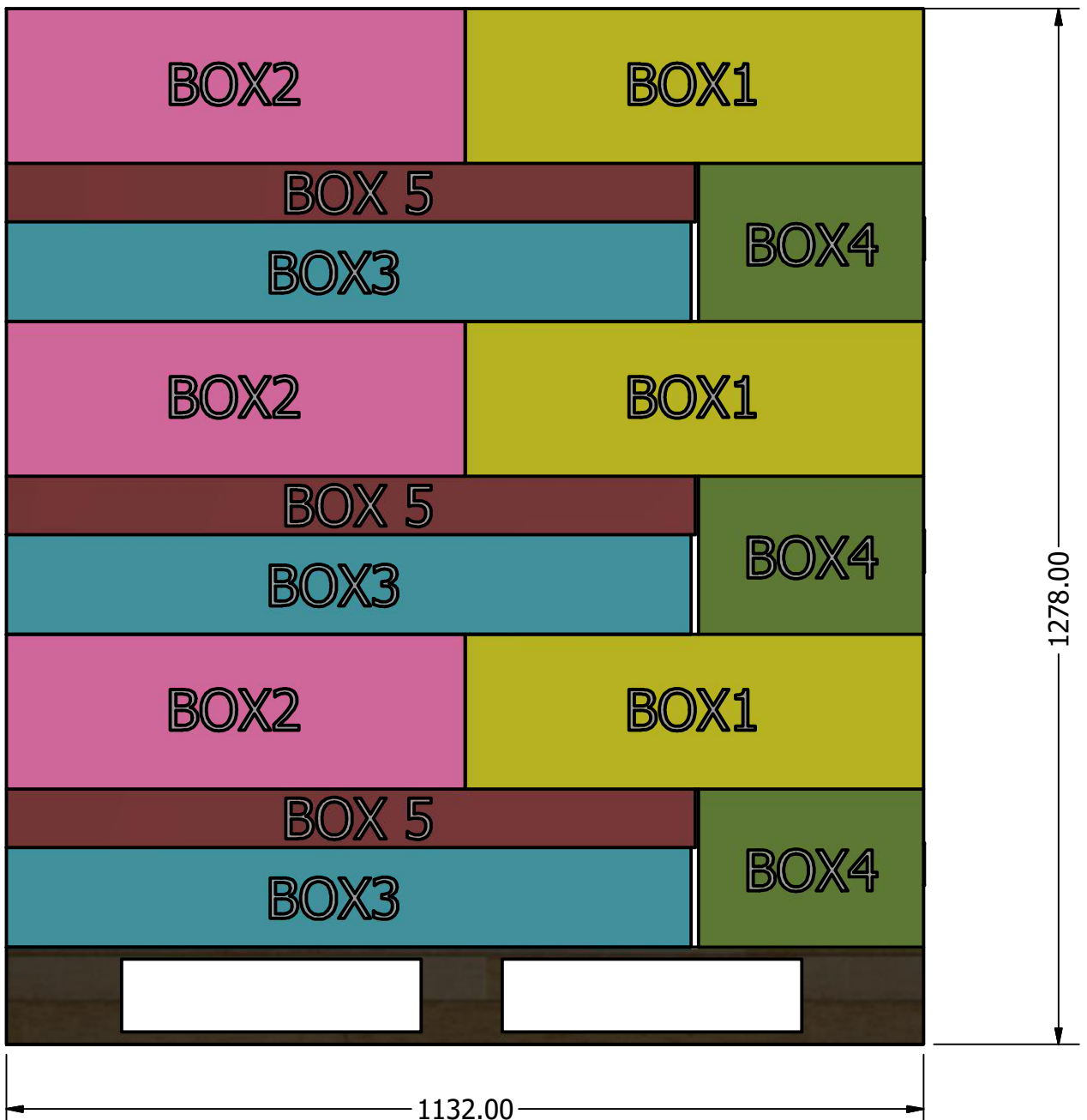
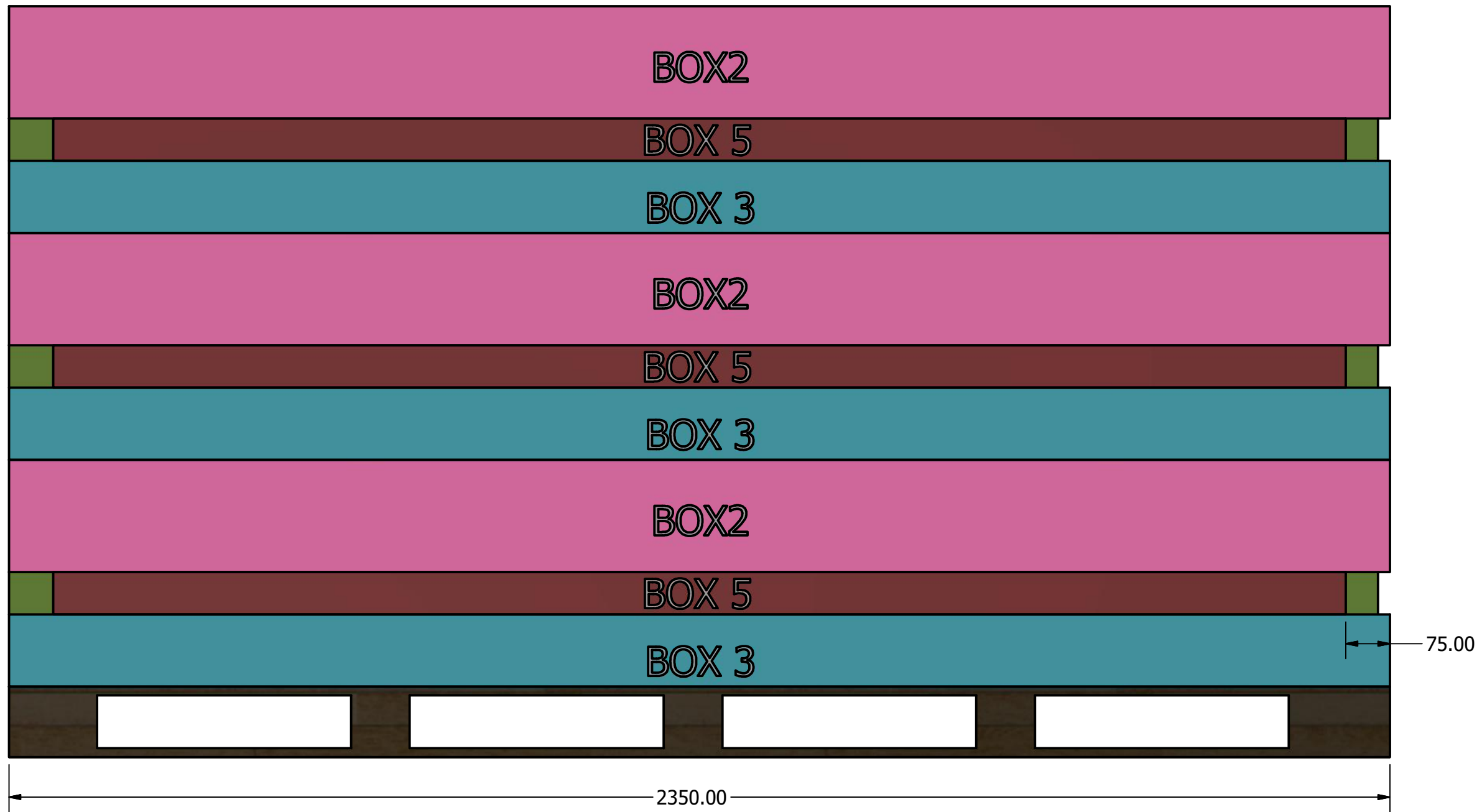
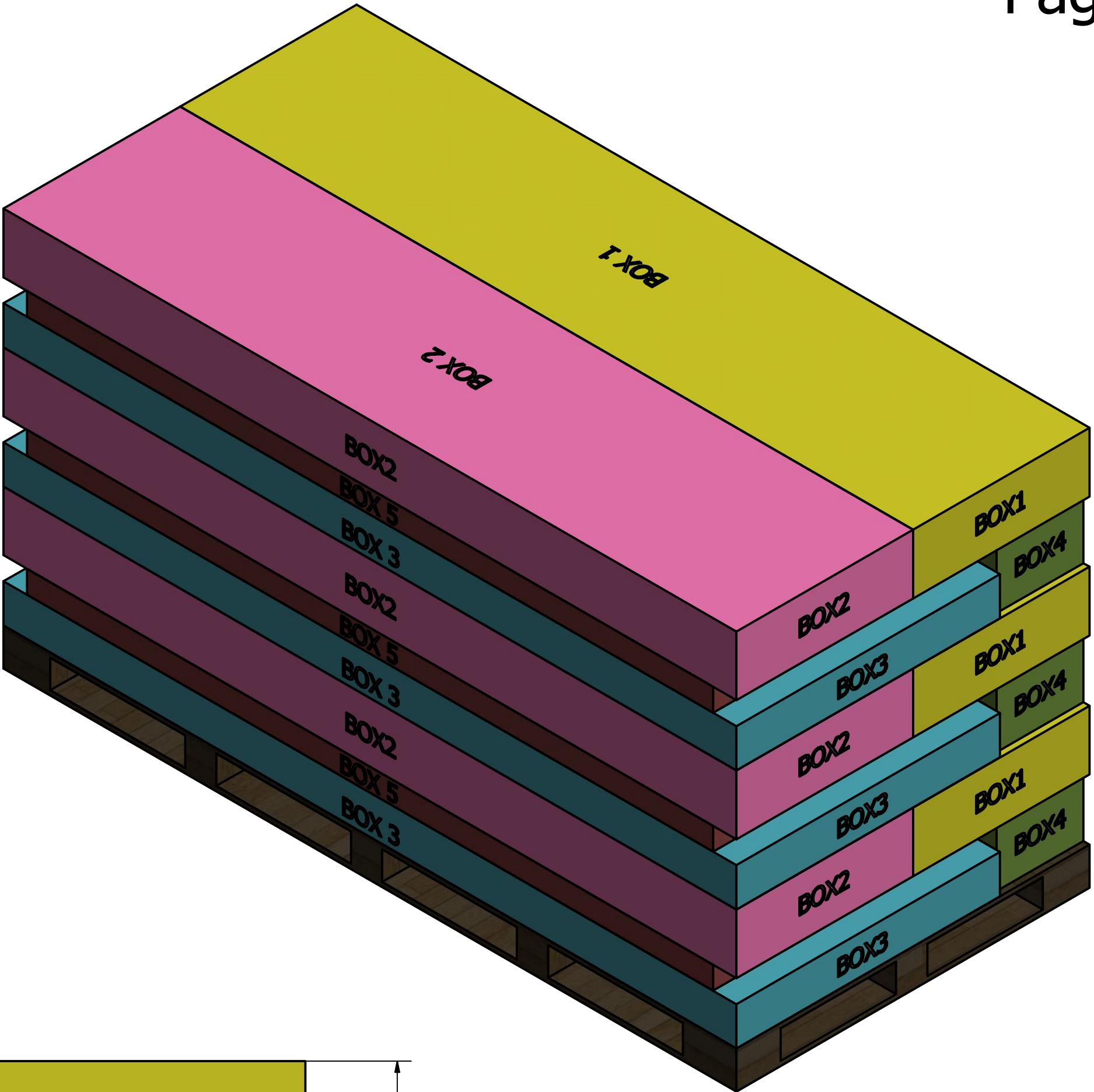
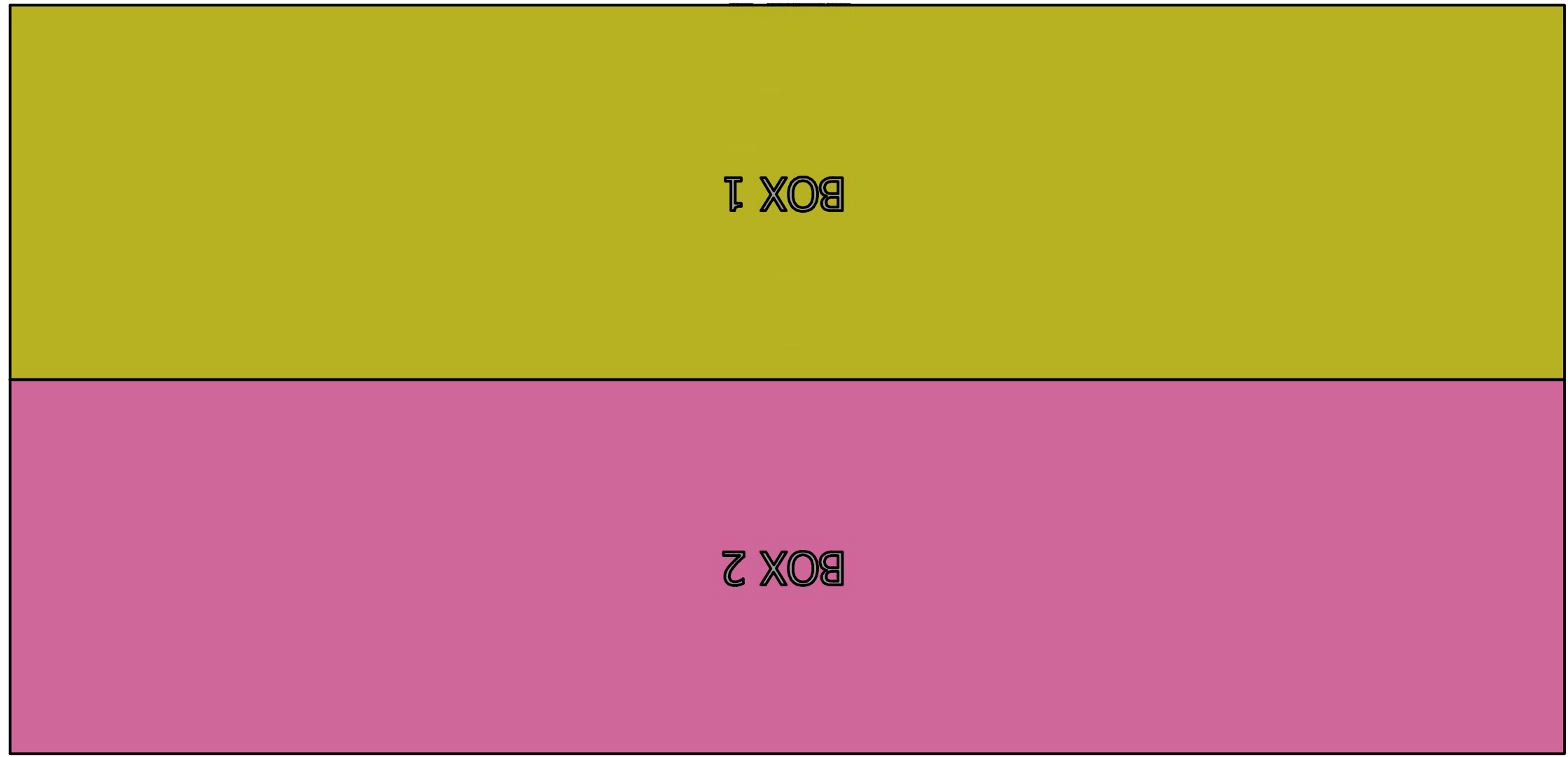


End view



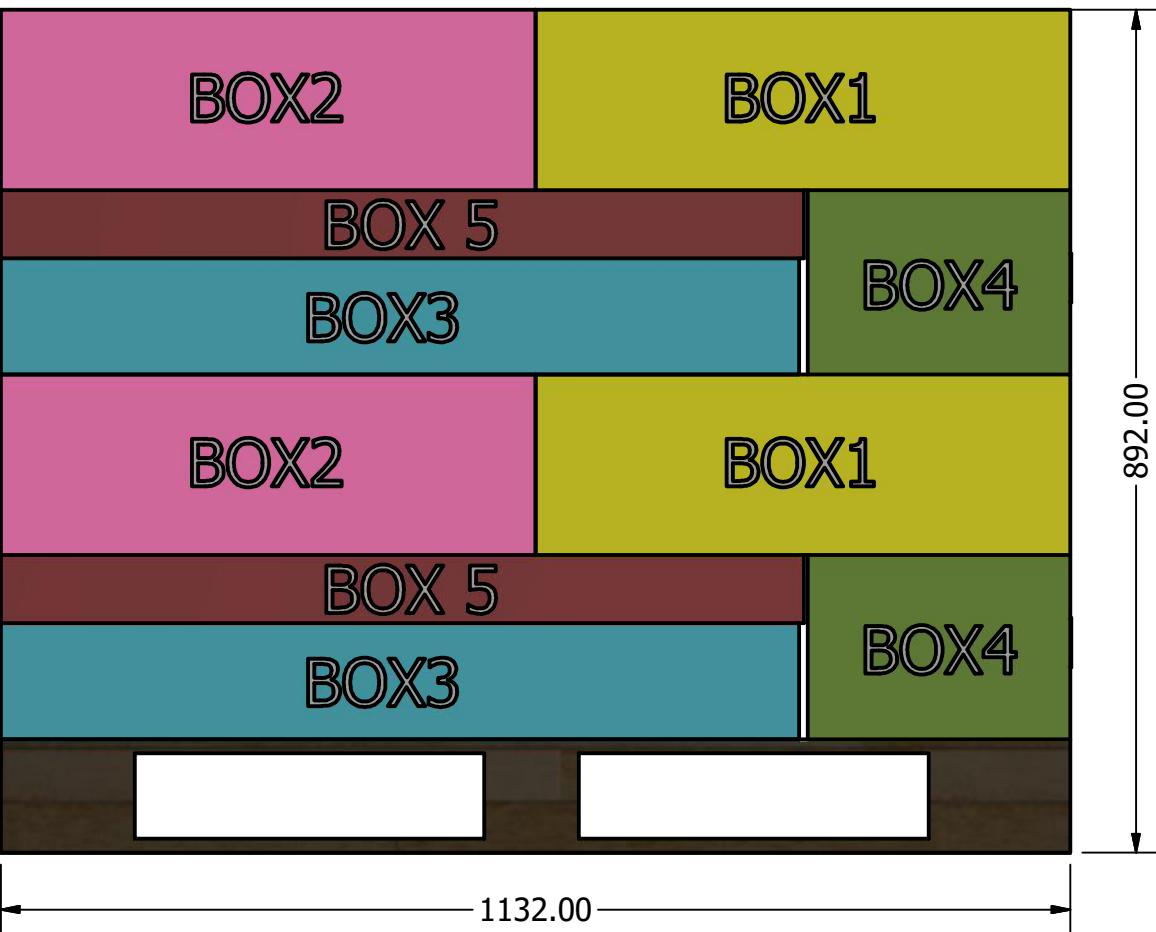
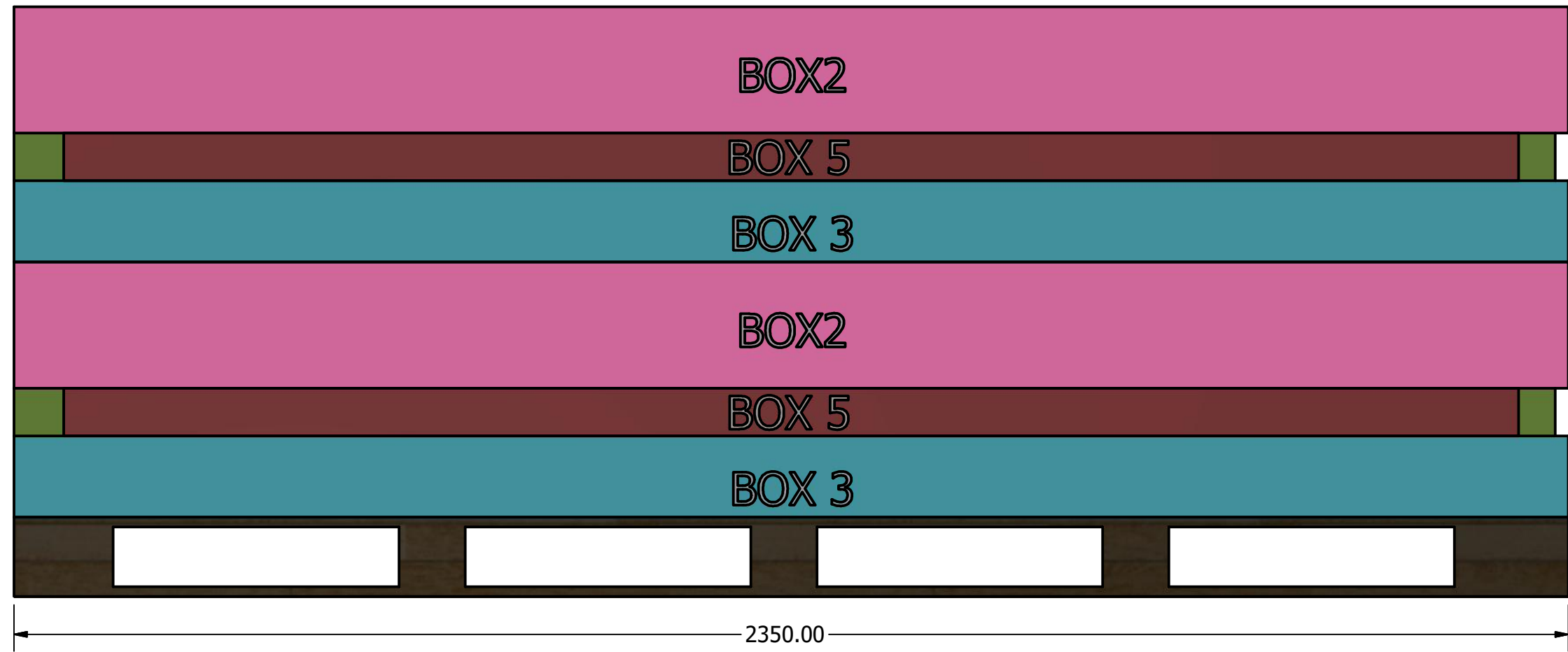
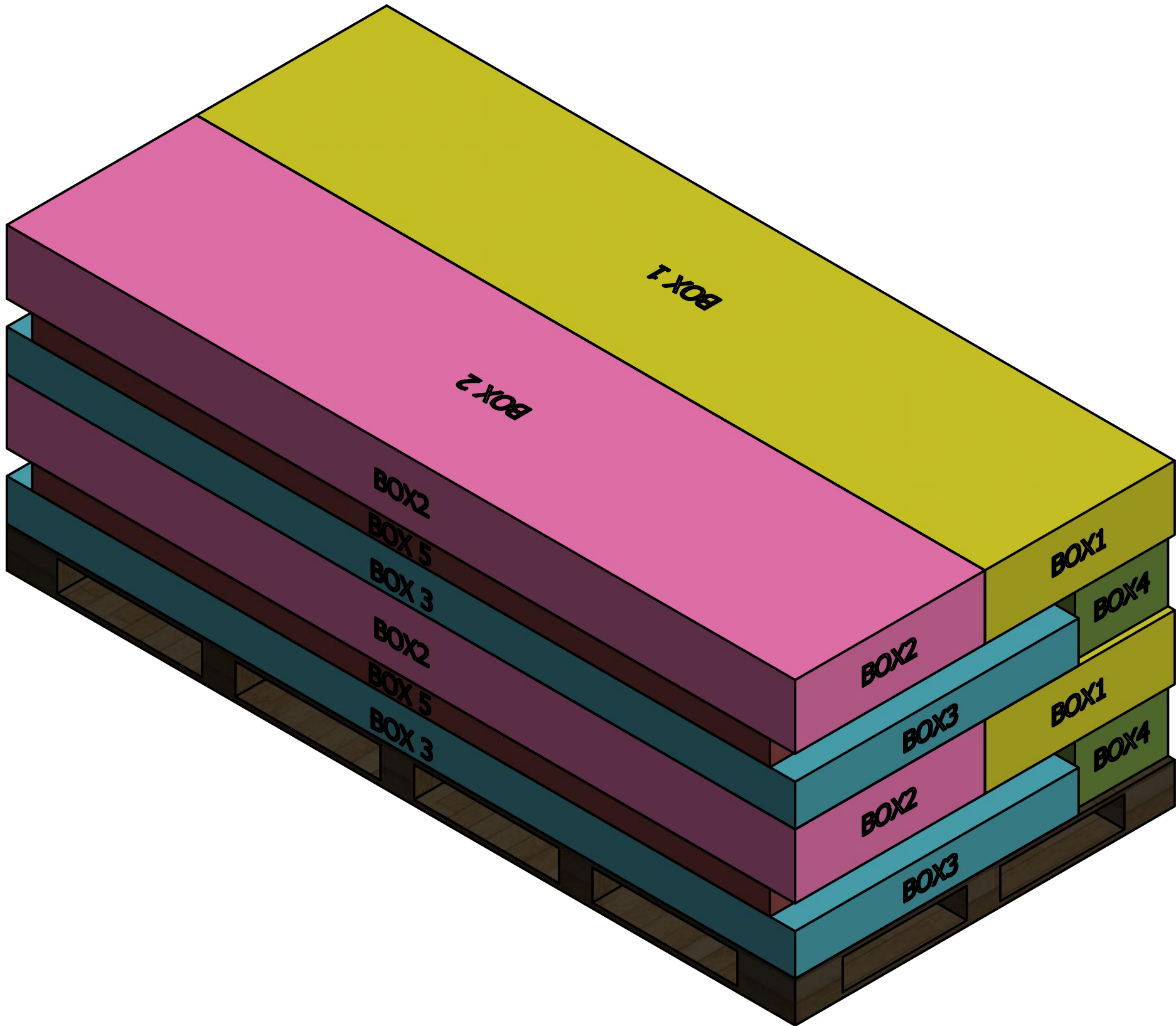
DRAWN Rudy		TITLE		
CHECKED				
QA				
MFG				
APPROVED				
		SIZE D	DWG NO	REV
		SCALE 1 / 20	SHEET 1 OF 1	

Pallet A ( 3 sets/pallet )

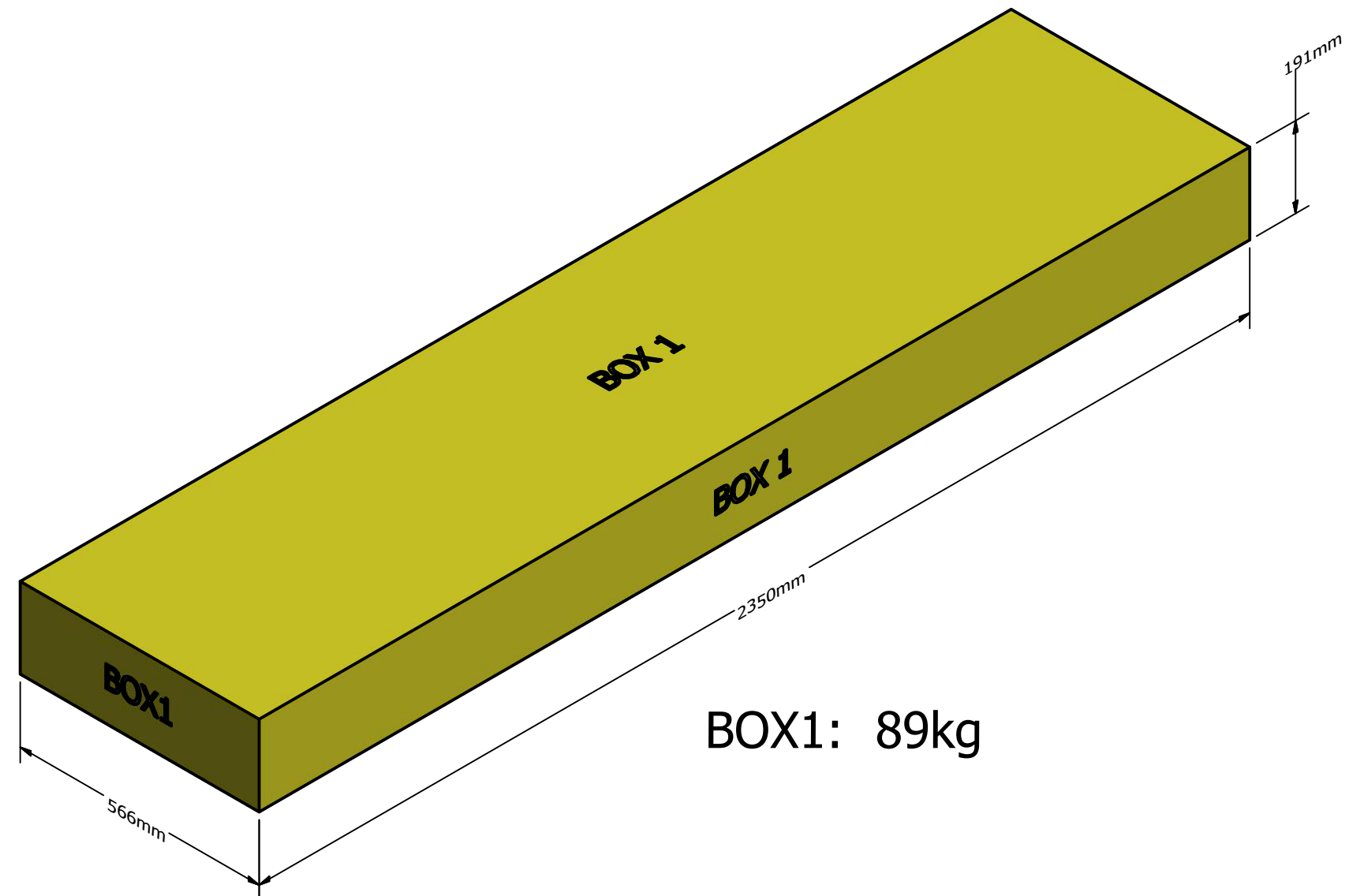


DRAWN Rudy	2019/8/19	TITLE		
CHECKED				
QA				
MFG				
APPROVED		SIZE D	DWG NO Pallet A	REV
		SCALE 1 : 10	SHEET 1 OF 1	

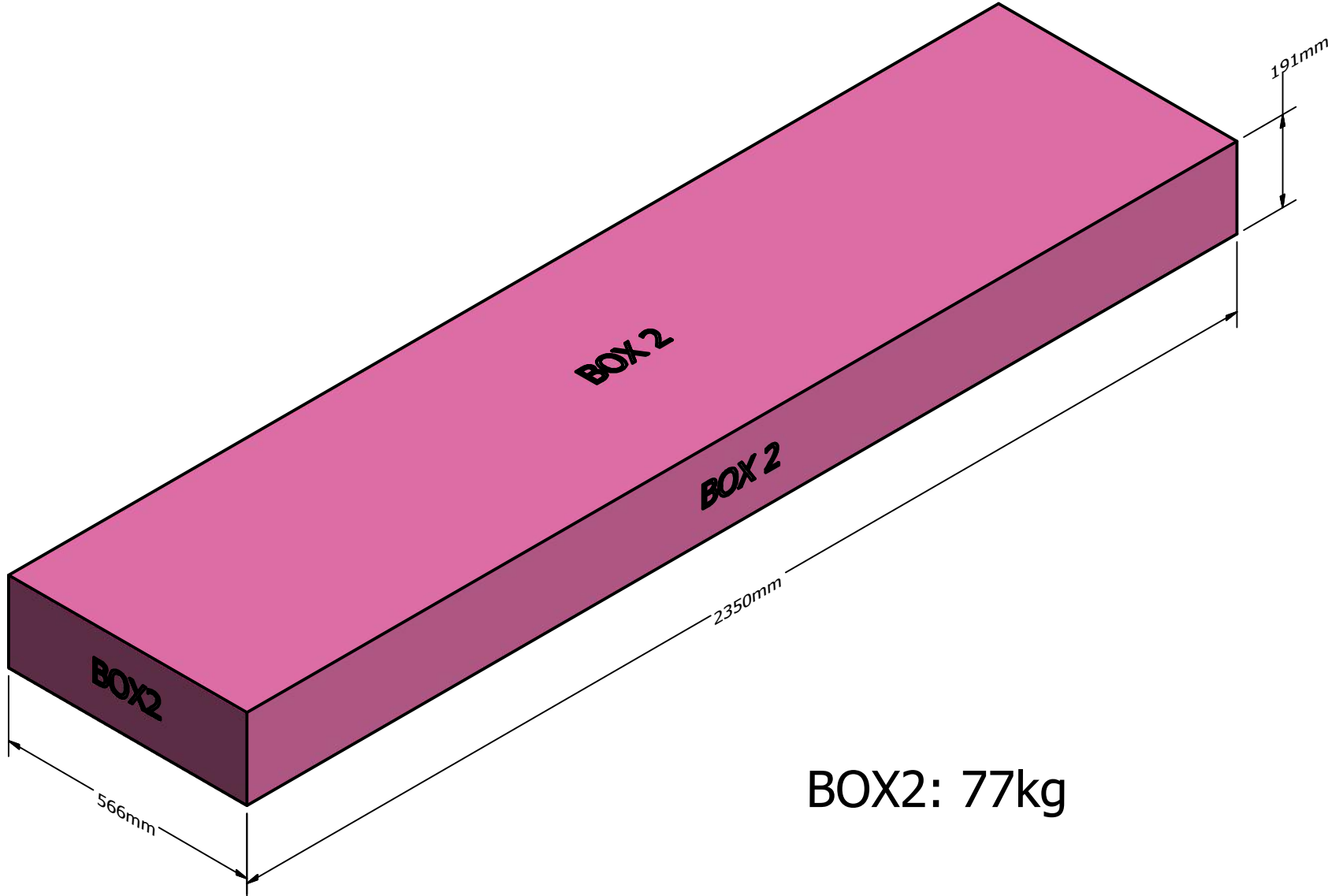
### Pallet B ( 2 sets/pallet )



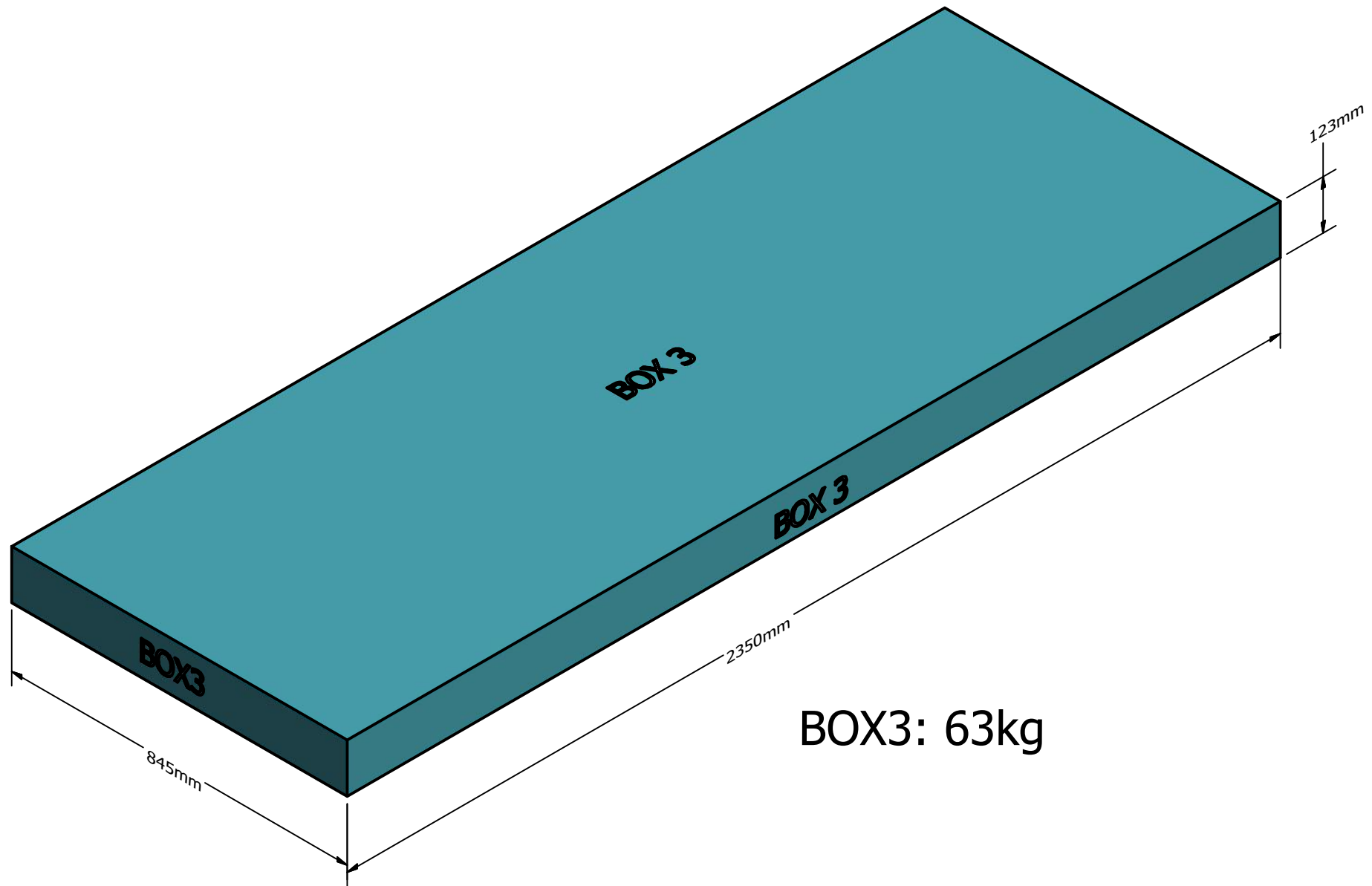
DRAWN Rudy		TITLE		
CHECKED				
QA				
MFG				
APPROVED		SIZE D	DWG NO	REV
		SCALE 1: 8	SHEET 1 OF 1	



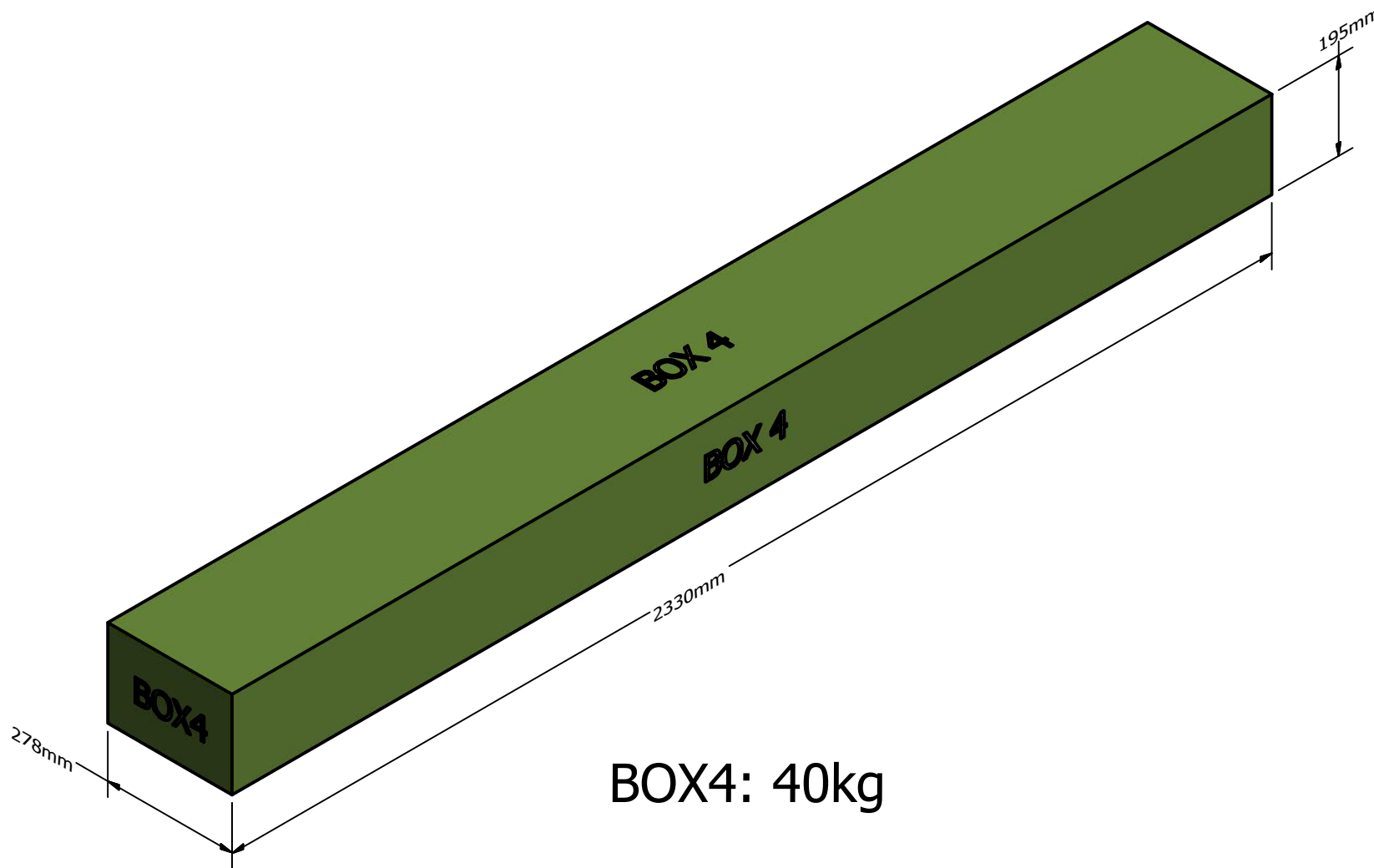
BOX1: 89kg



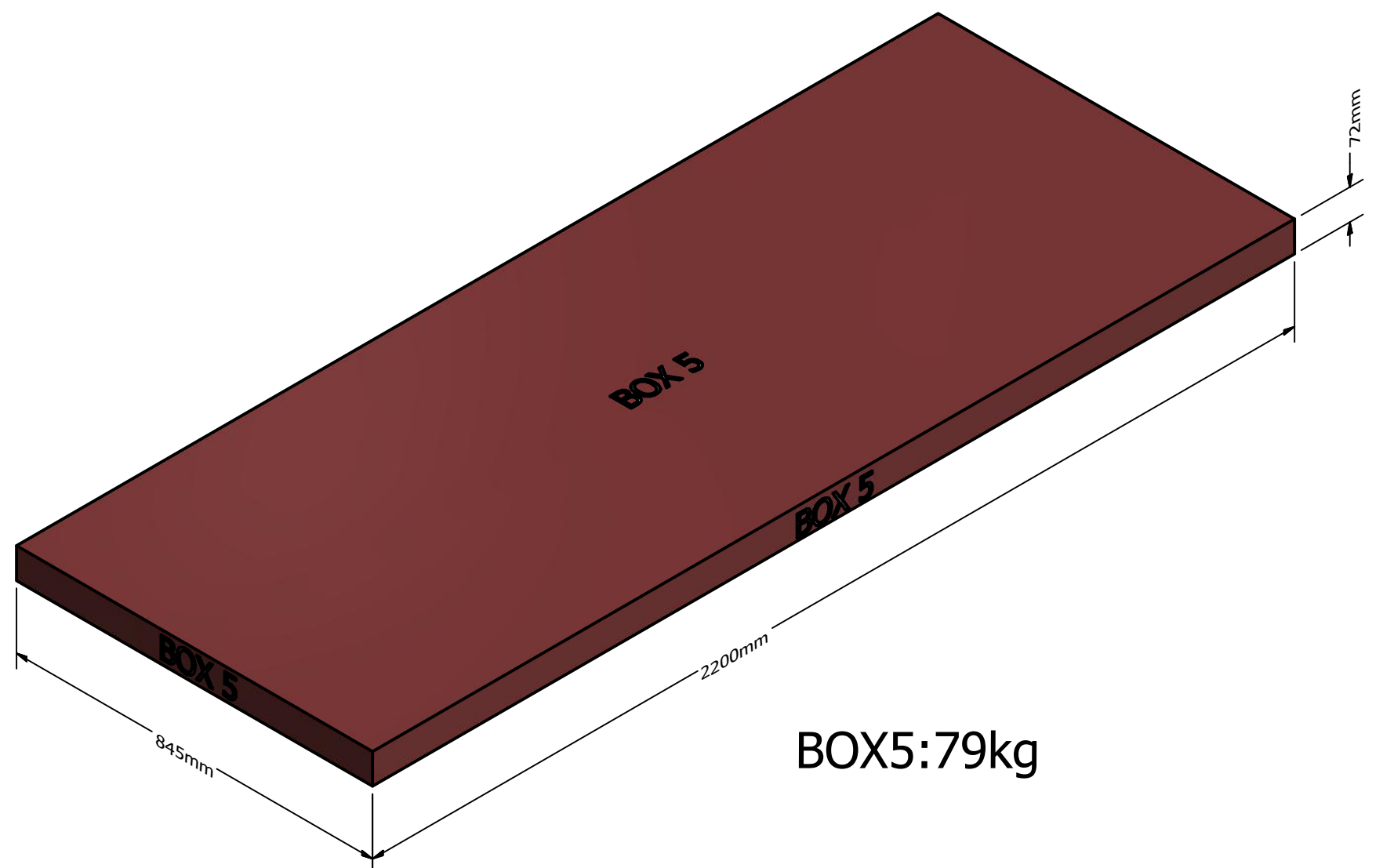
BOX2: 77kg



BOX3: 63kg



BOX4: 40kg



BOX5: 79kg

DRAWN Rudy	2019/8/19	TITLE		
CHECKED				
QA				
MFG				
APPROVED		SIZE D	DWG NO Pallet A (详细)	REV
SCALE 1 / 10		SHEET 1 OF 1		