



OWNER'S MANUAL

OSCILLATING TOWER HEATER WITH FLAME

22" | 1500W / 750W



MODEL 1VAHP22

TECHNICAL DATA

Model: 1VAHP22

Voltage Rating: 120V~ / 60Hz

Watts: 1500W / 750W

Size: 23 in. W x 23 in. D x 55.9 in. H

Weight: 5 lbs.

CONSUMER PRODUCT INFORMATION

For your own records, please attach a copy of your sales receipt to this manual. Also, write the store name/location and date purchased below:

Store Name: _____

Location: _____

Date Purchased: _____

CONTENTS

Safety Guidelines	4
Operation.....	7
Safety Features.....	9
Care and Maintenance	10

IMPORTANT NOTE:

Read the manual carefully. Make sure to save this manual for future reference. Illustrations in this manual are for explanatory purposes only, your actual product may look slightly different.

IMPORTANT INSTRUCTIONS

PLEASE READ ALL INSTRUCTIONS BEFORE USING THIS HEATER. WHEN USING ELECTRICAL APPLIANCES, BASIC PRECAUTIONS SHOULD ALWAYS BE FOLLOWED TO REDUCE THE RISK OF FIRE, ELECTRIC SHOCK AND PERSONAL INJURY, INCLUDING THE FOLLOWING:

When switching on the appliance for the first time, allow it to run at full power for about two hours to get rid of the unpleasant smell. Make sure that the room in which the appliance is located is well ventilated during this operation. It is normal for the appliance to emit small cracking sounds when you turn it on if the first time.

1. Read all instructions before using this heater.
2. This heater is hot when in use. To avoid burns, do not let bare skin touch hot surfaces. Use handle when moving the unit. Keep flammable materials such as furniture, pillows, bedding, papers, clothes, and curtains at least 3 feet (1 m) from the front and top of the heater and keep them away from the sides and rear of the heater. Keep the rear grille away from walls or drapes so as not to block the air intake.
3. Extreme caution and supervision is necessary when any heater is used near children or invalids and whenever the heater is left operating and unattended.
4. Always unplug heater when not in use.
5. Do not use any heater with a damaged cord or plug or after the heater malfunctions or has been dropped or damaged in any manner. Discard heater or return to an authorized service facility for examination and/or repair.
6. Do not use outdoors.
7. This heater is not intended for use in bathrooms, laundry areas or other similar indoor locations. Never locate heater where it may fall into a bathtub or other water container.
8. Do not run cord under carpeting. Do not cover cord with throw rugs, runners, or similar coverings. Do not route cord under furniture or appliances. Arrange cord away from traffic areas and place it where it will not be tripped over.

9. To disconnect heater, turn controls to off, then remove plug from outlet.
10. This appliance has a polarized plug (one blade is wider than the other). This plug is intended to fit a polarized outlet only one way. If the plug does not fit fully in the outlet, reverse the plug. If it still does not fit, consult a qualified electrician. Do not connect the heater to extension cords, surge protectors, timers, direct breakers, or an outlet with other appliances connected to the same outlet. **Risk of fire, overheating, malfunction, property damage, injury, or even death may result if not adhered to!**
11. Connect to properly polarized outlets only.
12. Do not insert or allow foreign objects to enter ventilation or exhaust openings, as this may cause an electric shock or fire, or damage the heater.
13. To prevent a possible fire, do not block air intakes or exhaust in any manner. Do not use on soft surfaces, like a bed, where openings may become blocked.
14. A heater has hot and arcing or sparking parts inside. Do not use it in areas where gasoline, paint, or flammable liquids are used or stored.
15. Use this heater only as described in this manual. Any other use not recommended by the manufacturer may cause fire, electric shock, injury to persons or other damage to property.
16. This heater must be plugged into a 120V circuit of its own. Nothing else can be plugged into the same circuit. If unsure if your home meets this specification, consult a certified electrician prior to use. **Risk of fire, overheating, malfunction, property damage, injury, or even death may result if not adhered to!**
17. To prevent overload and blown fuses, be sure that no other appliance is plugged into the same outlet or into another outlet wired into the same circuit.
18. It is normal for the heater's plug and cord to feel warm to the touch. A plug or cord that becomes hot to the touch or becomes distorted in shape may be a result of a worn electrical outlet. Worn outlets or receptacles should be replaced prior to further use of the heater. Plugging heater into a worn outlet/receptacle may result in overheating of the power cord or fire.
19. Ensure the heater is on a stable, secure surface to eliminate the potential of tipping over.

SAFETY GUIDELINES

(Continued)

20. Always plug heaters directly into a wall outlet / receptacle. Never use with an extension cord or relocatable power tap (outlet / power strip).
21. Be sure that the plug is fully inserted into appropriate receptacle. Please remember that receptacles also deteriorate due to aging and continuous use: check periodically for signs of overheating or deformations evidenced by the plug. Do not use the heater if the plug is loose or moves around inside the outlet. Do not use the receptacle and CALL your electrician.
22. Check that neither the appliance nor the power cable has been damaged in any way during transportation.
23. Make sure that no pieces of polystyrene or other packaging material have been left between elements of the appliance. It may be necessary to pass over the appliance with a vacuum cleaner.
24. This appliance is not intended for use by persons (including children) with reduced physical, sensory or mental capabilities, or lack of experience and knowledge, unless they have been given supervision or instruction concerning use of the appliance by a person responsible for their safety. Children should be supervised to ensure that they do not play with the appliance.
25. Hyperthermia can result in death. Symptoms of hyperthermia include high body temperature, headache, nausea, vomiting, tiredness, dizziness, fainting, and rapid pulse. If you begin to experience symptoms related to hyperthermia, turn off the heater and seek medical attention.
26. To avoid excessive room temperatures which can cause hyperthermia: DO NOT leave product running unattended in a confined space around infants, or individuals with reduced physical, sensory, or mental capabilities.

CAUTION: To prevent electric shock, match wide blade of plug to wide slot, fully insert.

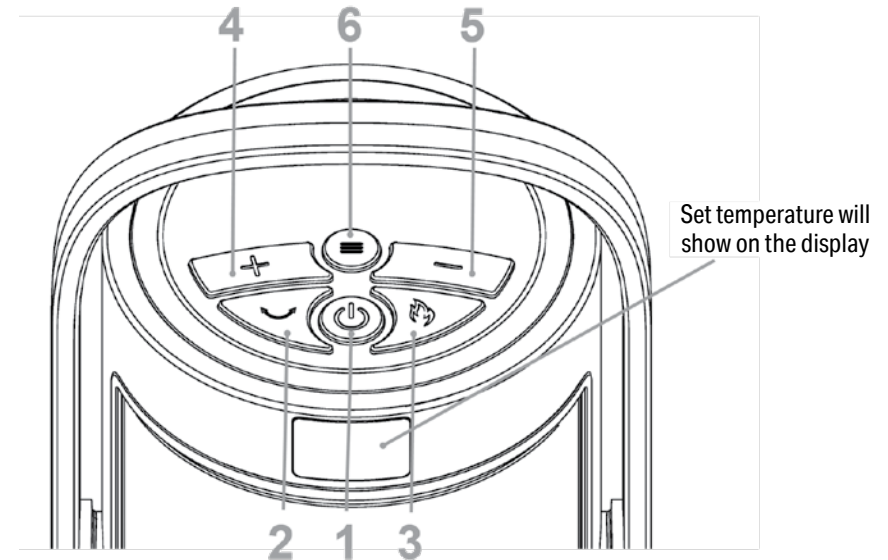
READ AND SAVE THESE INSTRUCTIONS

OPERATION

OPERATION INSTRUCTION

The device is operated via the buttons on the device:

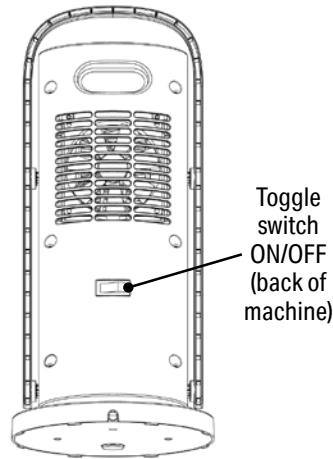
- 1: On / Off button
- 2: Oscillation button
- 3: Flames effect button
- 4: Temperature up button
- 5: Temperature down button
- 6: Mode button (1500W High power / 750W Low Power)



OPERATION

(Continued)

1. Place the device on a flat, dry, heat-resistant surface where kids and pets can't reach it.
2. Plug it into an easily reachable grounded wall outlet. Avoid using extension cords or adapters and ensure the heater doesn't share the outlet with other appliances.
3. Flip the toggle switch on the back of the device to supply power to the device. Press button 1 to power the device on / off.
4. To adjust the heat settings, press button 6. Press to switch between low power (750W) and high power (1500W).
5. Adjust the temperature in high and low power (between 59°F and 86°F) by pressing buttons 4 and 5.
The heater stops heating when it reaches the set temperature and starts again when it cools down.
If a temperature is shown on the display, it is the set temperature.
6. Press button 2 to activate the oscillation feature, distributing heat over a wider area. Press again to deactivate.
7. The flame effect activates automatically when the unit is turned on. Use button 3 to toggle this feature.
8. Power off by pressing button 1. Flip the toggle switch on the back to cut power to the device.



NOTE:

- Hold both buttons 4 and 5 for two seconds to switch between Celsius and Fahrenheit.
- The heater beeps after each operation is correctly completed.
- The fan runs for 30 seconds after turning off to cool down.

SAFETY FEATURES

SAFETY FEATURES

Overheating safety feature

Your heater is fitted with a safety device that switches off the heater in the event of overheating.

If the heater stops working, turn the heater off and inspect the blockage of inlet or outlet. **Disconnect the plug and wait at least 10 minutes** for the protection system to reset before attempting to restart the heater. If the safety device still switches the heater off and makes the heater fail to operate, take the heater to your nearest service center for examination or repair.

Attention: before restarting the heater, **the plug must be disconnected for at least 10 minutes.**

Tip-over safety feature

This heater is equipped with a tip-over safety feature. Once the heater is tipped-over, an internal switch will automatically shut the heater off. Once the heater is restored an upright position, the heater will reset. To continue operation, turn on the heater using the supplied remote control or the control panel on the heater.

CARE AND MAINTENANCE

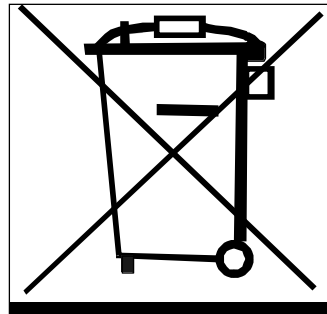
CLEANING

1. Always disconnect the appliance from the main supply before cleaning.
2. Clean the outside of the heater by wiping with a damp or dry cloth.
3. Do not use petroleum, any other detergent or chemical solvent to clean the heater.
4. When the heater is not used for a long time, it should be protected from dust and stored in a clean dry place.

DISPOSAL

Environmental Protection

Waste electrical production should not be disposed of with household waste. Please recycle where facilities exist. Check with your Local Authority or retailer for recycling advice.





4560 W. 160th Street
Cleveland, OH 44135

833-950-1185 | support@visionairproducts.com
www.visionairproducts.com