



Manufactured by:
Backyard Discovery
3305 Airport Drive, Pittsburg, KS 66762
800-856-4445

Basepoint Business Centre: Rivermead Drive, Westlea, Swindon SN5 7EX Phone: 0800-118-2476 J.P. Coenstraat 7, The Bridge, The Hague, 2595 WP, Netherlands Phone: 08005678990

9x6 WILLOW WHITE/WILLOW GREENHOUSE GUTTER KIT

MODEL #: 9240629/9240612



Please visit www.backyarddiscovery.com

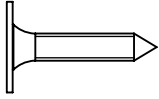
For the most up to date assembly manual, to register your product, or to order

replacement parts Para obtener instrucciones en español, visite

www.backyarddiscovery.com

OWNER'S MANUAL - PARTS IDENTIFICATION

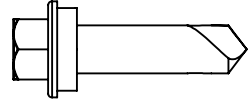
Hardware Components



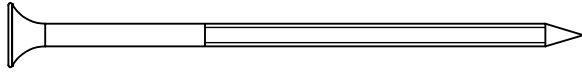
H101205 SCREW PWH BLK
(x4) 8x3/4



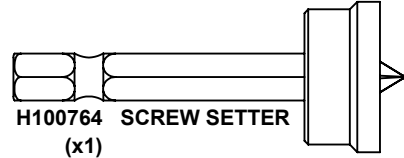
H101414 SCREW SELF PIERCING #8x1/2
(x5)



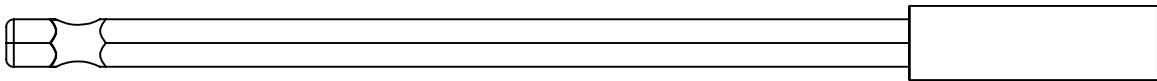
H101480 SCREW SELF TAPPING #9x1 BLK
(x6) 1/4 x 1



H100362 SCREW PFH BLK
(x4) 8x3



H100764 SCREW SETTER
(x1)

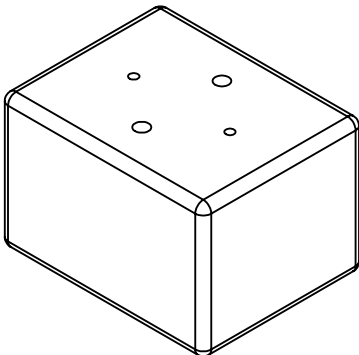


H101278 6" MAGNETIC DRIVER EXTENSION
(x1)

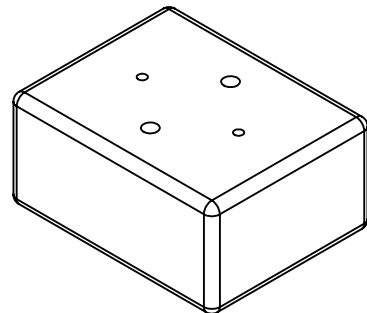


A6P01531 10 OZ SILICONE TUBE
(x1)

Wood Components (NOT TO SCALE)



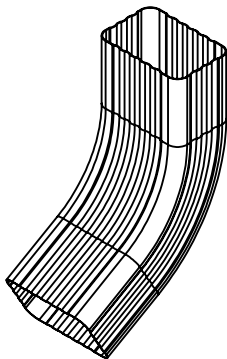
WILLOW - W4L21320 GUTTER SPACER
WILLOW WHITE- W4L22895 1 15/16"x2 3/8"x3" [50x60x76]
(x1)



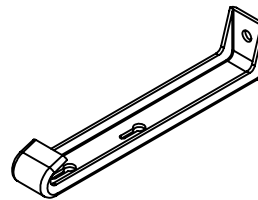
WILLOW - W4L21461 GUTTER SPACER
WILLOW WHITE - W4L22896 1 7/16"x2 3/8"x3" [36x60x76]
(x1)

OWNER'S MANUAL - PARTS IDENTIFICATION

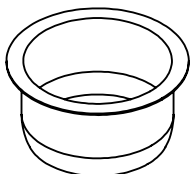
Accessory Components (NOT TO SCALE)



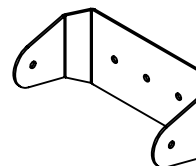
A4M06238 DOWNSPOUT ELBOW - LONG
(x1) 3"x10 5/8"x10 11/16" [76x270x271]



A4M04759 GUTTER HANGER
(x6) 3/4"x1"x4 15/16" [19x25x125]



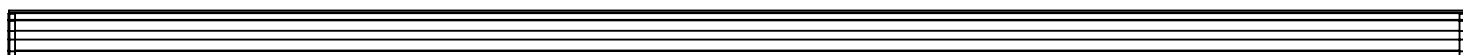
A4M04761 DOWNSPOUT OUTLET
(x1) 1 7/16"x2 7/8" [37x73]



A4M04782 DOWNSPOUT CLIP
(x2) 1 7/16"x1 7/16"x3 1/8" [36x36x79]



A4M04783 DOWNSPOUT - 60"
(x1) 2"x3"x60" [51x76x1525]



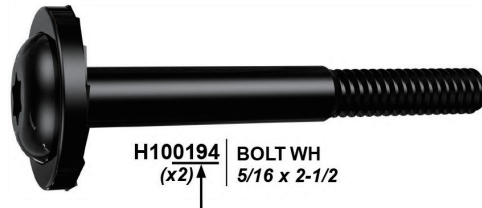
A4M06696 GUTTER W/ OUTLET
(x1) 3 11/16"x5 1/8"x117 7/8" [93x130x2867]

PRE-ASSEMBLY STEP 1 - SORTING PARTS

It is critical for ease of assembly that you take the time to sort and organize the parts and hardware.

HARDWARE PARTS:

- We recommend that you have a separate table to organize the hardware.
- Hardware bags are printed with a seven-digit, alpha-numeric part number.
- You can organize your hardware by part number or group by hardware type (e.g. bolts, nuts, etc.).
- During assembly you only need to reference the last four digits of the number.



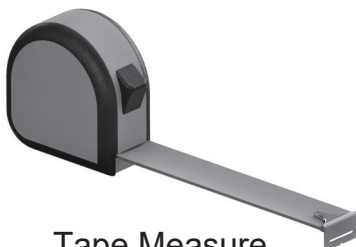
TOOLS REQUIRED:



Cordless Drill or
Electric Drill



Caulk Gun

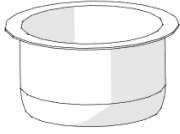


Tape Measure

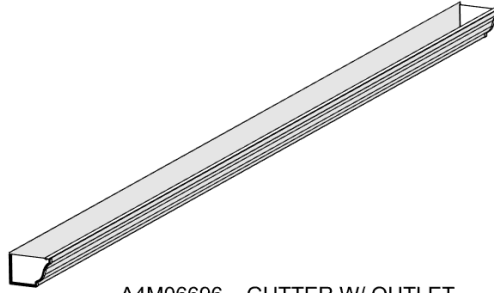


1/8" Drill Bit

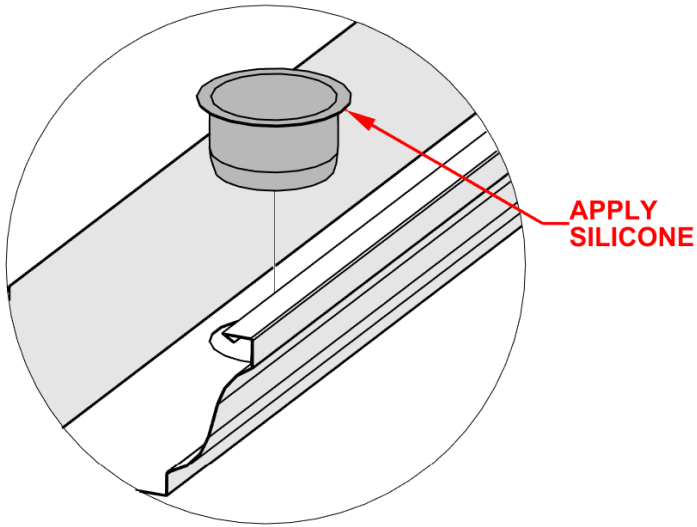
STEP 1 - GUTTER ASSEMBLY



A4M04761 DOWNSPOUT OUTLET
(x1)



A4M06696 GUTTER W/ OUTLET
(x1)



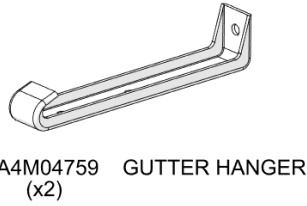
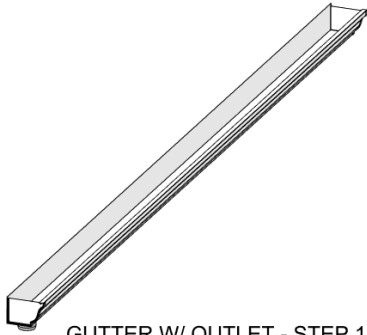
TIP: PRESSURE MAY NEED TO BE APPLIED TO GET OUTLET INTO POSITION. USE A WET FINGER TO FLATTEN SILICONE AFTER INSTALLED.

4761 (x1)
DOWNSPOUT OUTLET

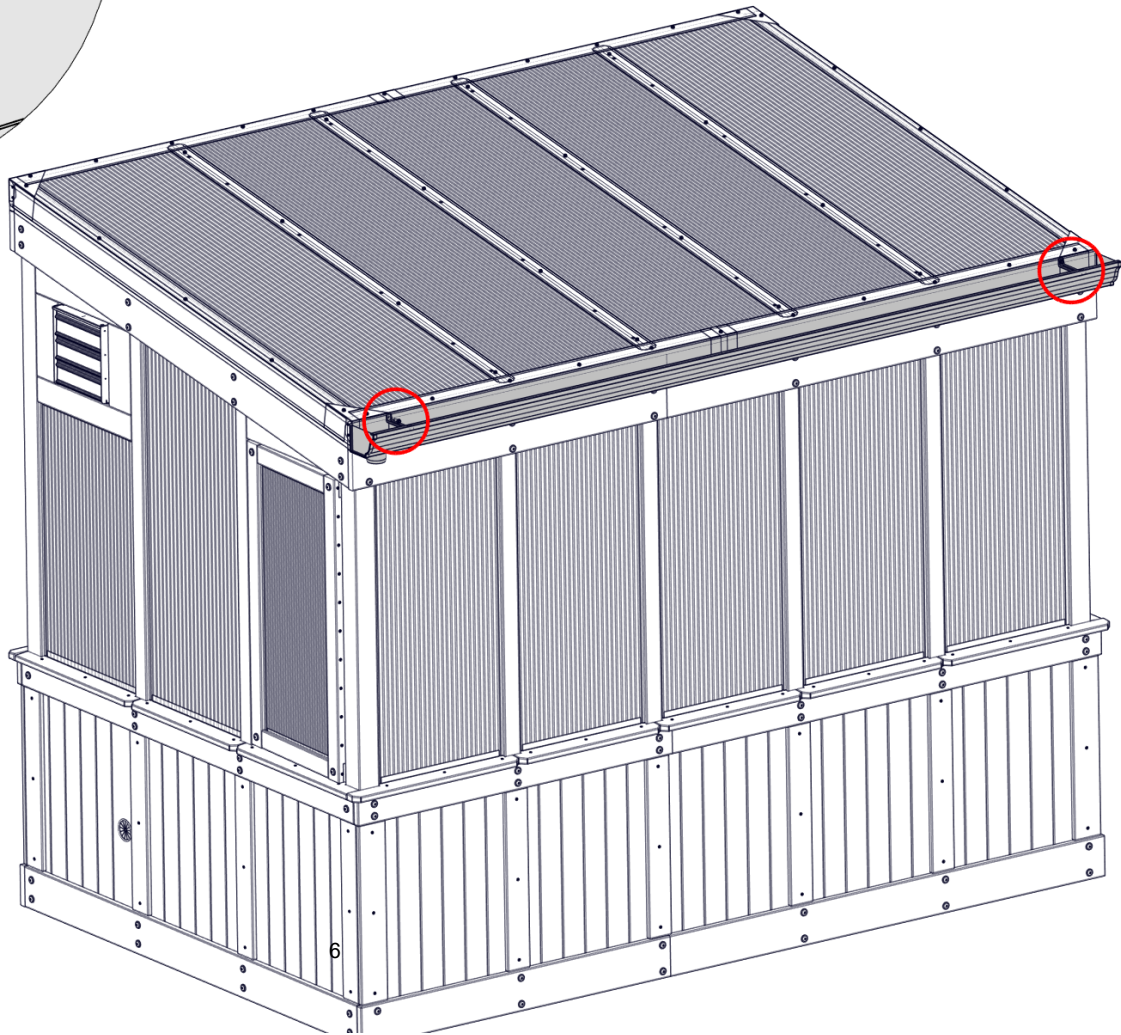
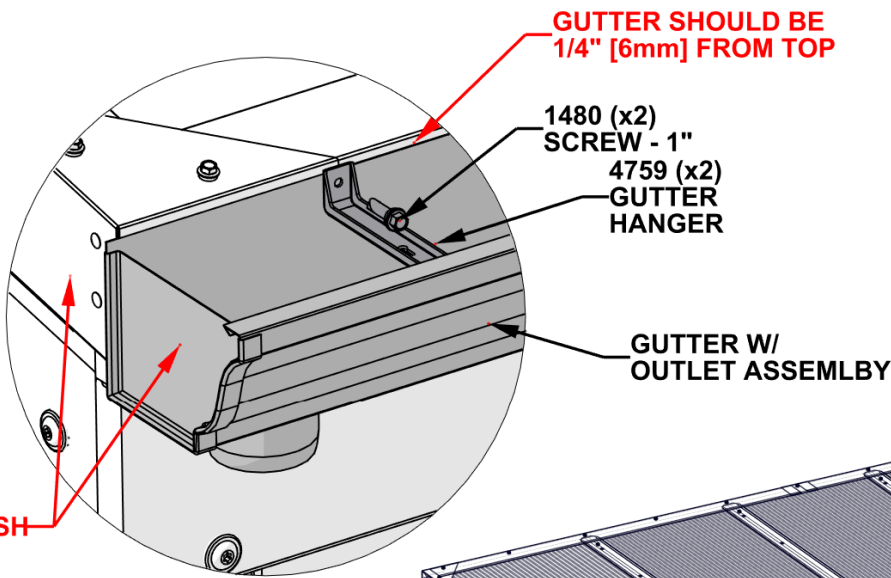
6696 (x1)
GUTTER W/ OUTLET

STEP 2 - GUTTER ASSEMBLY

QTY	PART NUMBER	DESCRIPTION
2	H101480	SCREW SELF TAPPING #9x1 BLK

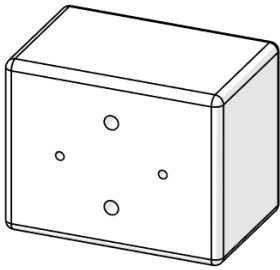


- ATTACH GUTTER APPROXIMATELY 1/4" [6mm] FROM THE TOP OF ROOF.
- ATTACH GUTTER HANGERS APPROXIMATELY 5" [125mm] FROM INSIDE THE GUTTER ON BOTH SIDES.
- PRE-DRILL 1/8" [3mm] PILOT HOLES FOR EASE OF ASSEMBLY.

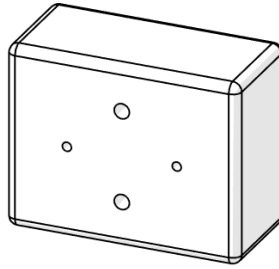


STEP 3 - GUTTER ASSEMBLY

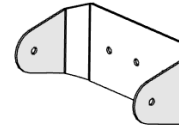
QTY	PART NUMBER	DESCRIPTION
4	H101205	SCREW PWH 8x15x3/4 BLK
4	H100362	SCREW PFH 8x3 BLK



AA02 GUTTER SPACER - W4L21320
(x1) 1 15/16"x2 3/8"x3" (50x60x76)

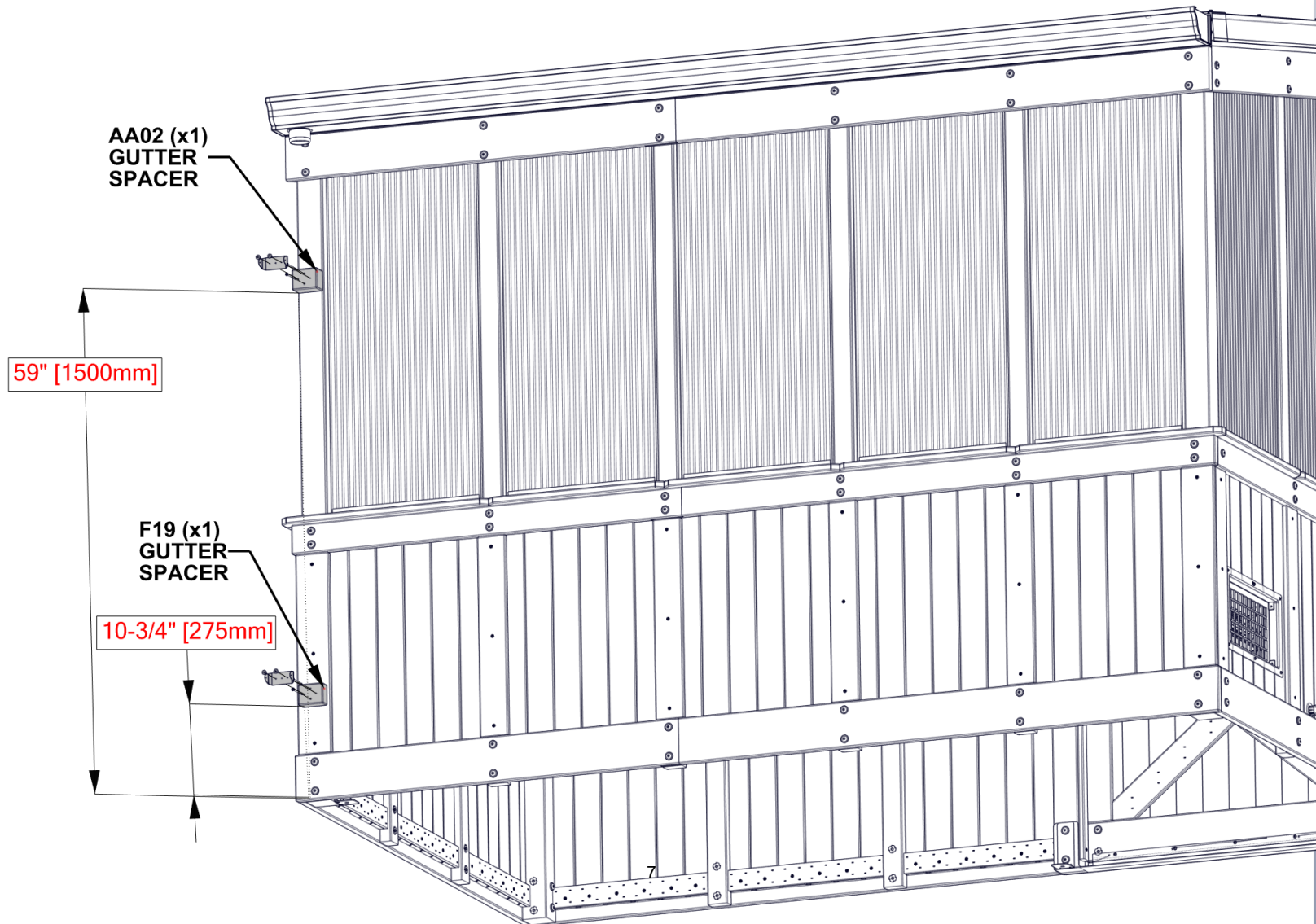
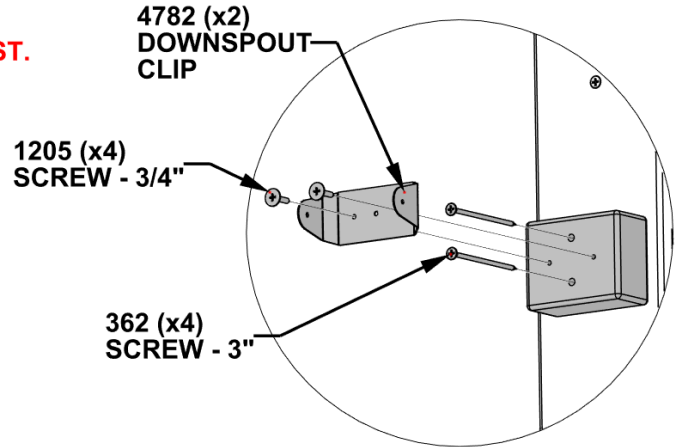


F19 GUTTER SPACER - W4L21461
(x1) 1 7/16"x2 3/8"x3" (36x60x76)



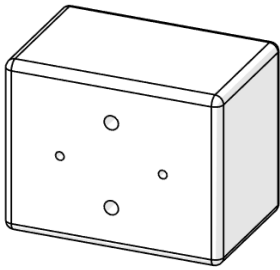
A4M04782 DOWNSPOUT CLIP
(x2)

- ALIGN PILOT HOLES.
- AA02 SPACER GOES ON TOP, F19 SPACER GOES ON BOTTOM.
- IT IS IMPORTANT TO CENTER 4782 CLIP AND HARDWARE ON POST.
- TOP SPACER IS 59" [1500mm] FROM THE GROUND.
- BOTTOM SPACER IS 10-3/4" [275mm] FROM THE GROUND.

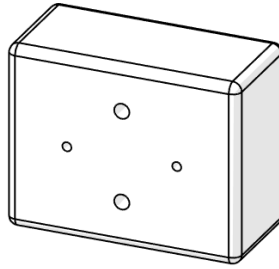


STEP 3 - GUTTER ASSEMBLY - WHITE

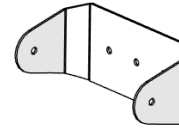
QTY	PART NUMBER	DESCRIPTION
4	H101205	SCREW PWH 8x15x3/4 BLK
4	H100362	SCREW PFH 8x3 BLK



AA02 GUTTER SPACER - W4L22895
(x1) 1 15/16"x2 3/8"x3" (50x60x76)

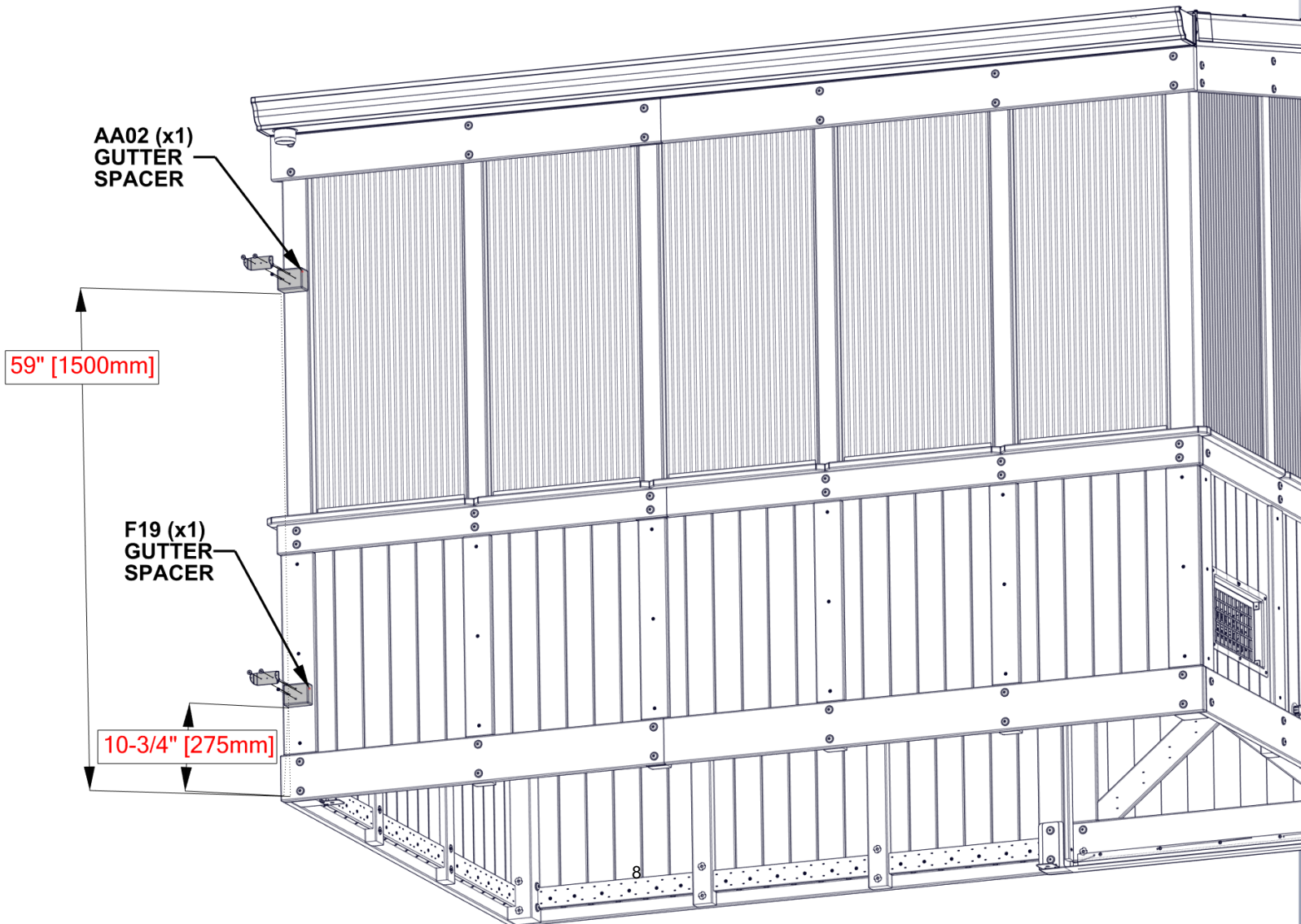
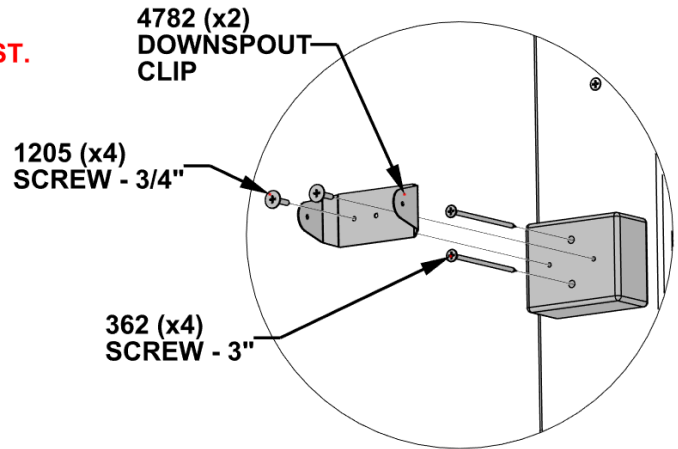


F19 GUTTER SPACER - W4L22896
(x1) 1 7/16"x2 3/8"x3" (36x60x76)

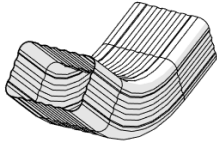


A4M04782 DOWNSPOUT CLIP
(x2)

- ALIGN PILOT HOLES.
- AA02 SPACER GOES ON TOP, F19 SPACER GOES ON BOTTOM.
- IT IS IMPORTANT TO CENTER 4782 CLIP AND HARDWARE ON POST.
- TOP SPACER IS 59" [1500mm] FROM THE GROUND.
- BOTTOM SPACER IS 10-3/4" [275mm] FROM THE GROUND.



STEP 4 - GUTTER ASSEMBLY

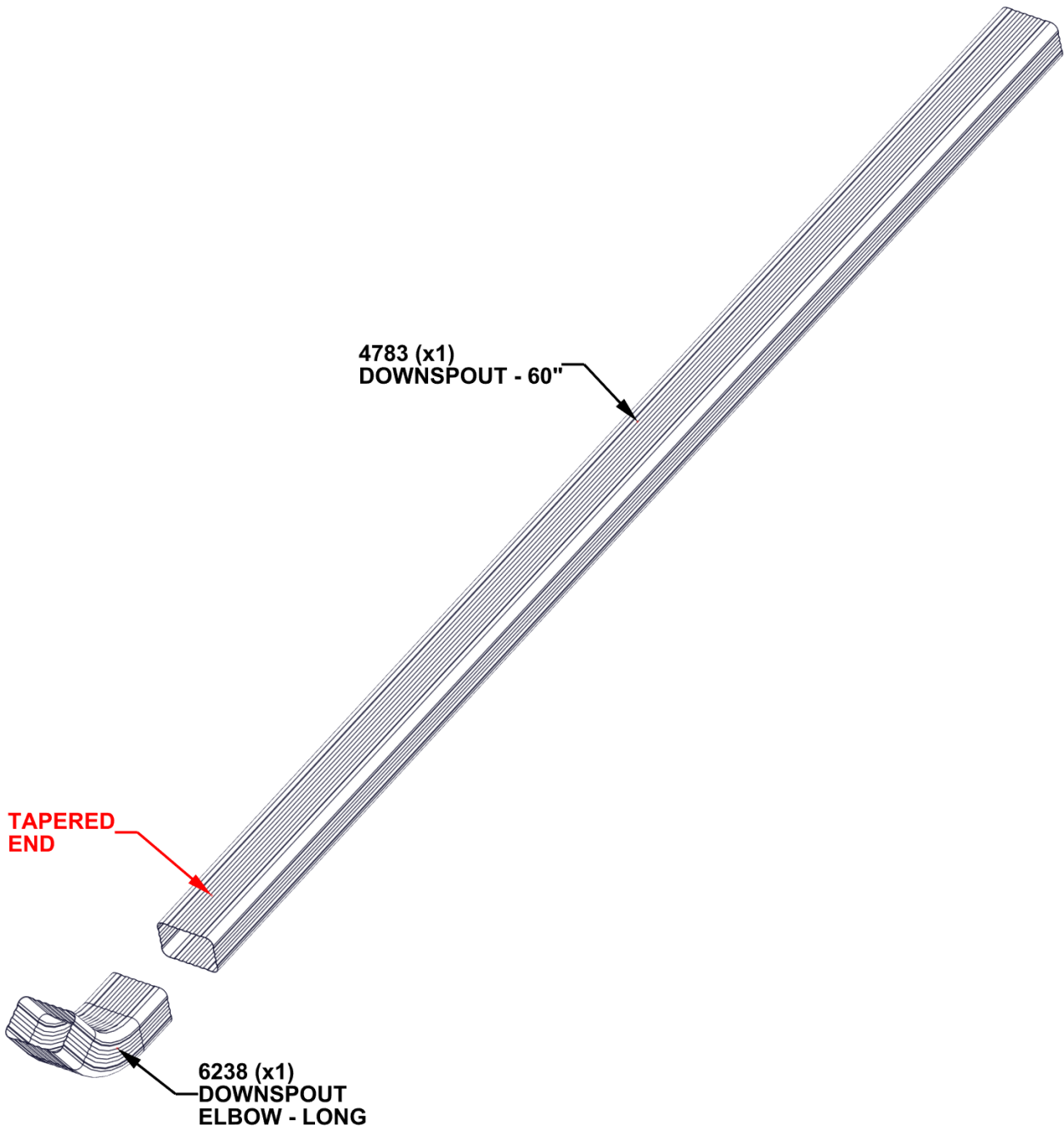


A4M06238 DOWNSPOUT ELBOW - LONG
(x1)



A4M04783 DOWNSPOUT - 60"
(x1)

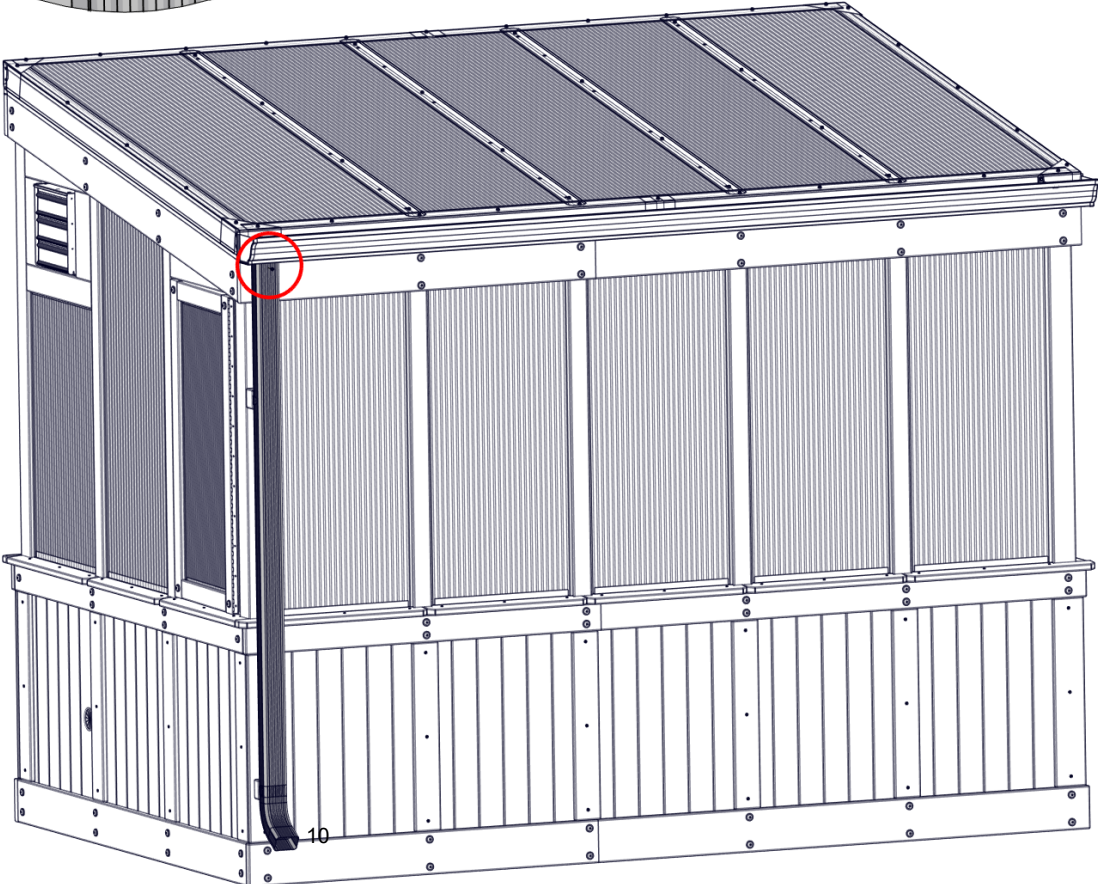
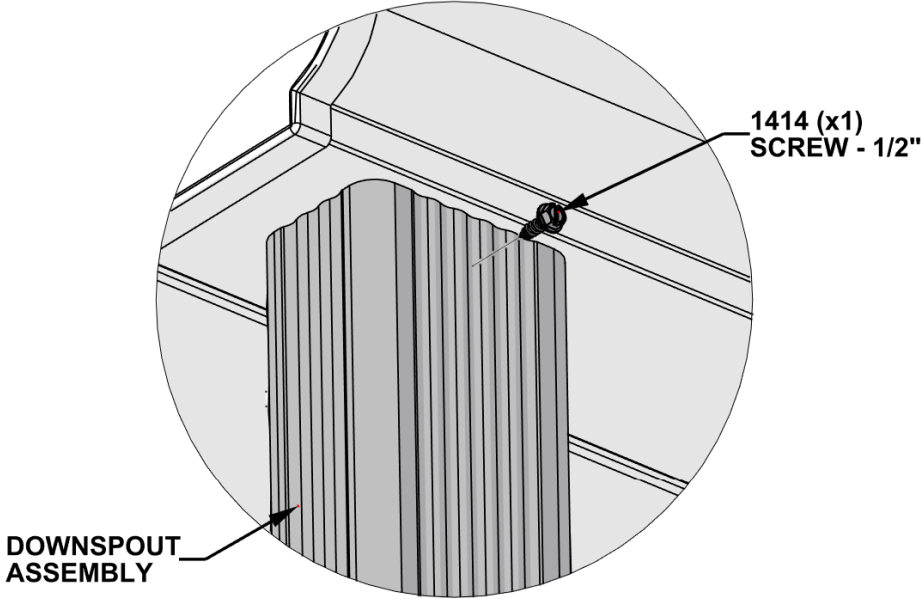
- INSERT TAPERED END INTO LARGER END.



STEP 5 - GUTTER ASSEMBLY

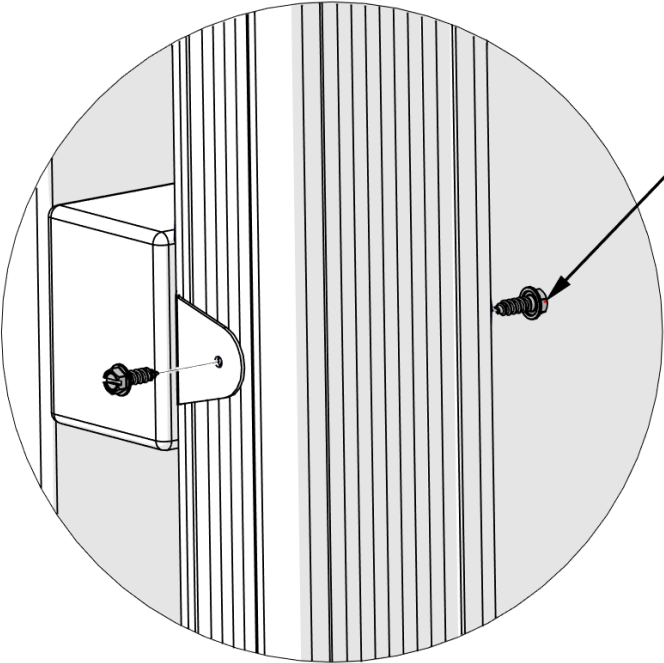
QTY	PART NUMBER	DESCRIPTION
1	H101414	SCREW SELF PIERCING #8x1/2 BLK

- FASTEN DOWNSPOUT TO DOWNSPOUT OUTLET USING HARDWARE PROVIDED.

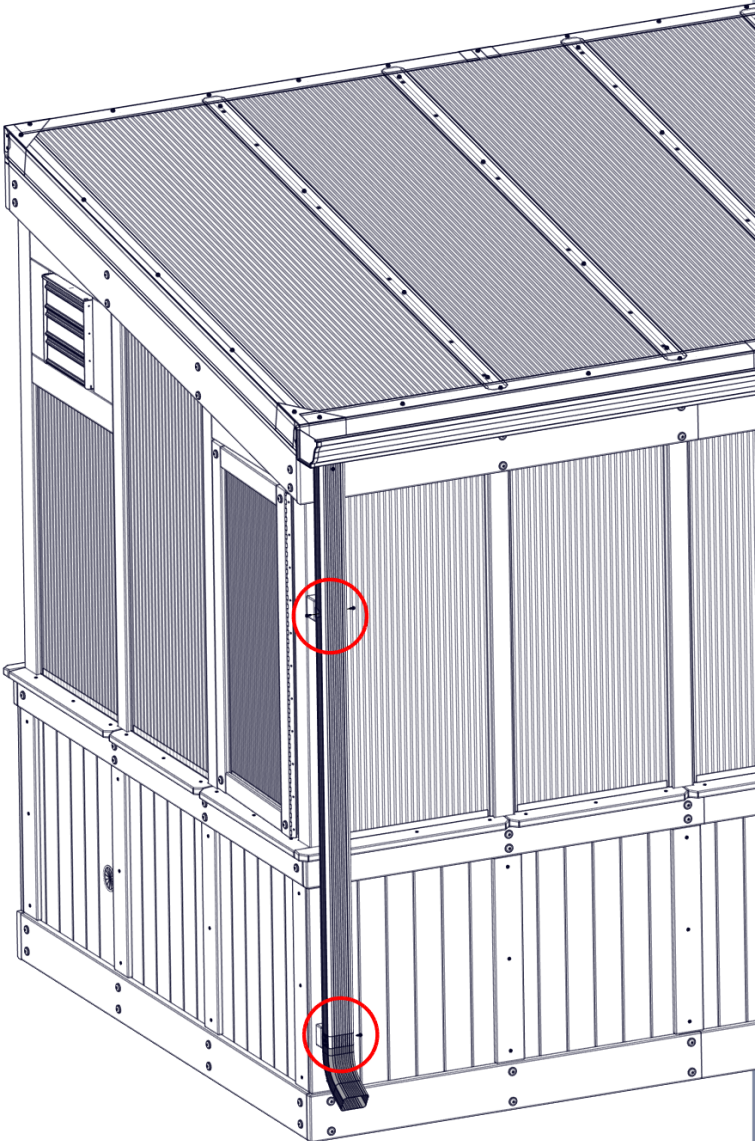


STEP 6 - GUTTER ASSEMBLY

QTY	PART NUMBER	DESCRIPTION
4	H101414	SCREW SELF PIERCING #8x1/2 BLK

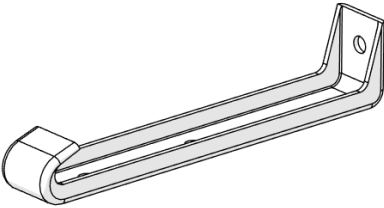


1414 (x4)
SCREW - 1/2"



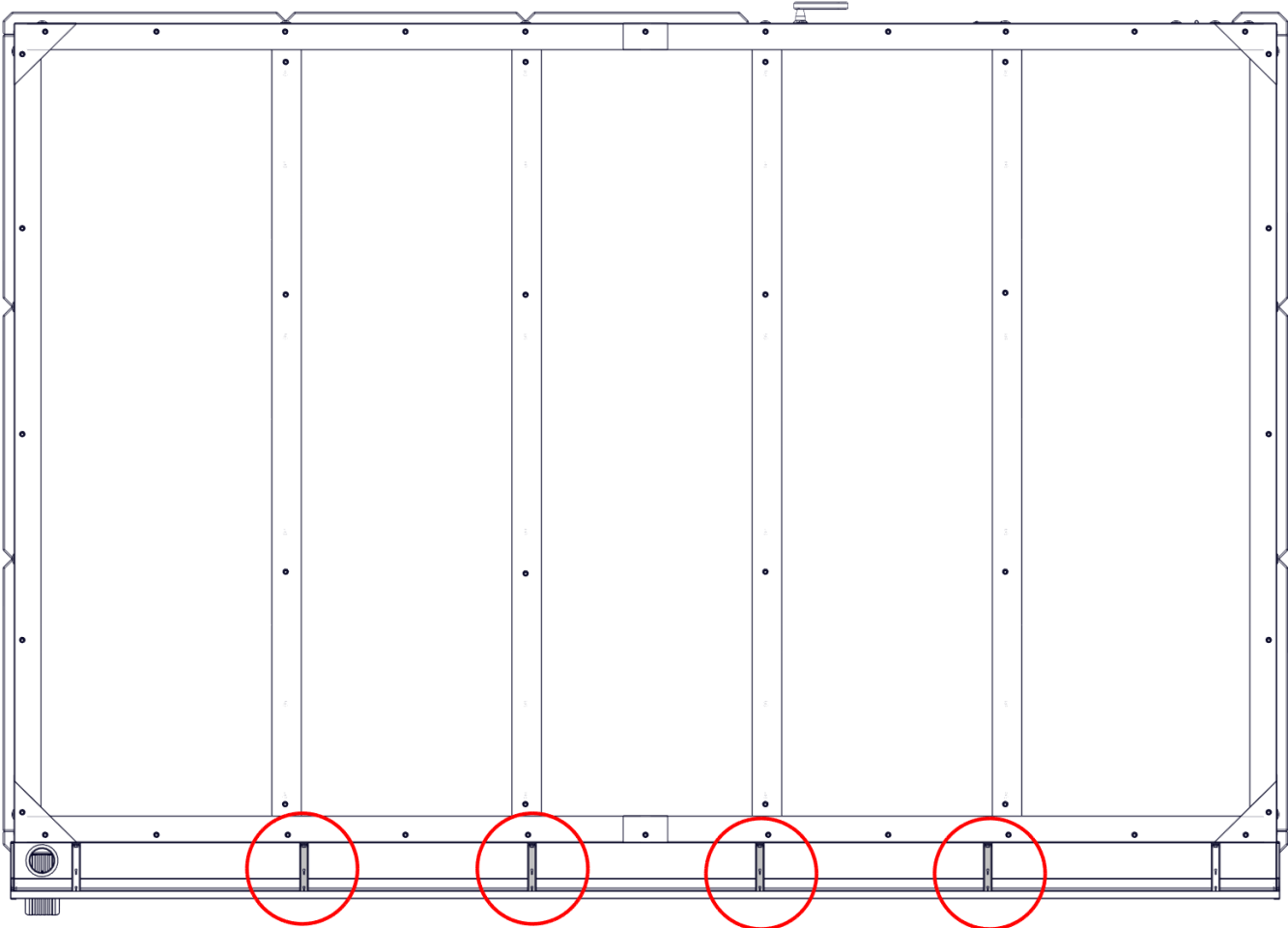
STEP 7 - GUTTER ASSEMBLY

QTY	PART NUMBER	DESCRIPTION
4	H101480	SCREW SELF TAPPING #9x1 BLK



A4M04759 GUTTER HANGER
(x4)

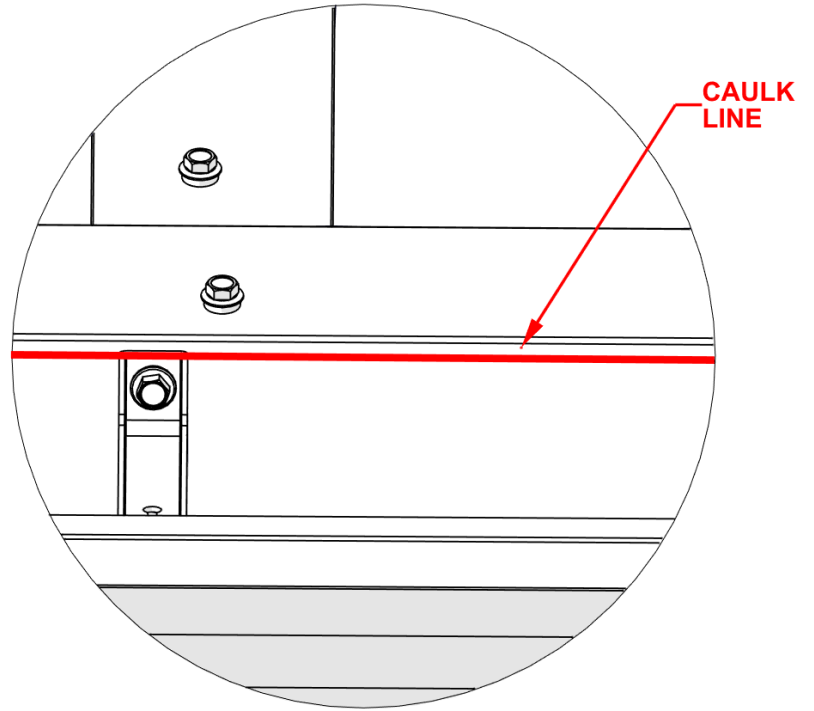
- ATTACH REMAINING GUTTER HANGERS LEAVING A SPACE OF APPROXIMATELY 20-1/4" [515mm] BETWEEN THE HANGERS.



STEP 8 - GUTTER ASSEMBLY

CRITICAL:

IT IS STRONGLY RECOMMENDED TO APPLY A GENEROUS BEAD ALONG THE TOP PORTION OF THE GUTTER AND THE MATING SURFACE OF GREENHOUSE. FAILURE TO DO SO MAY RESULT IN LEAKING WATER BEHIND THE GUTTERS.



TIP:
USE A WET FINGER TO FLATTEN SILICONE AFTER APPLIED.

