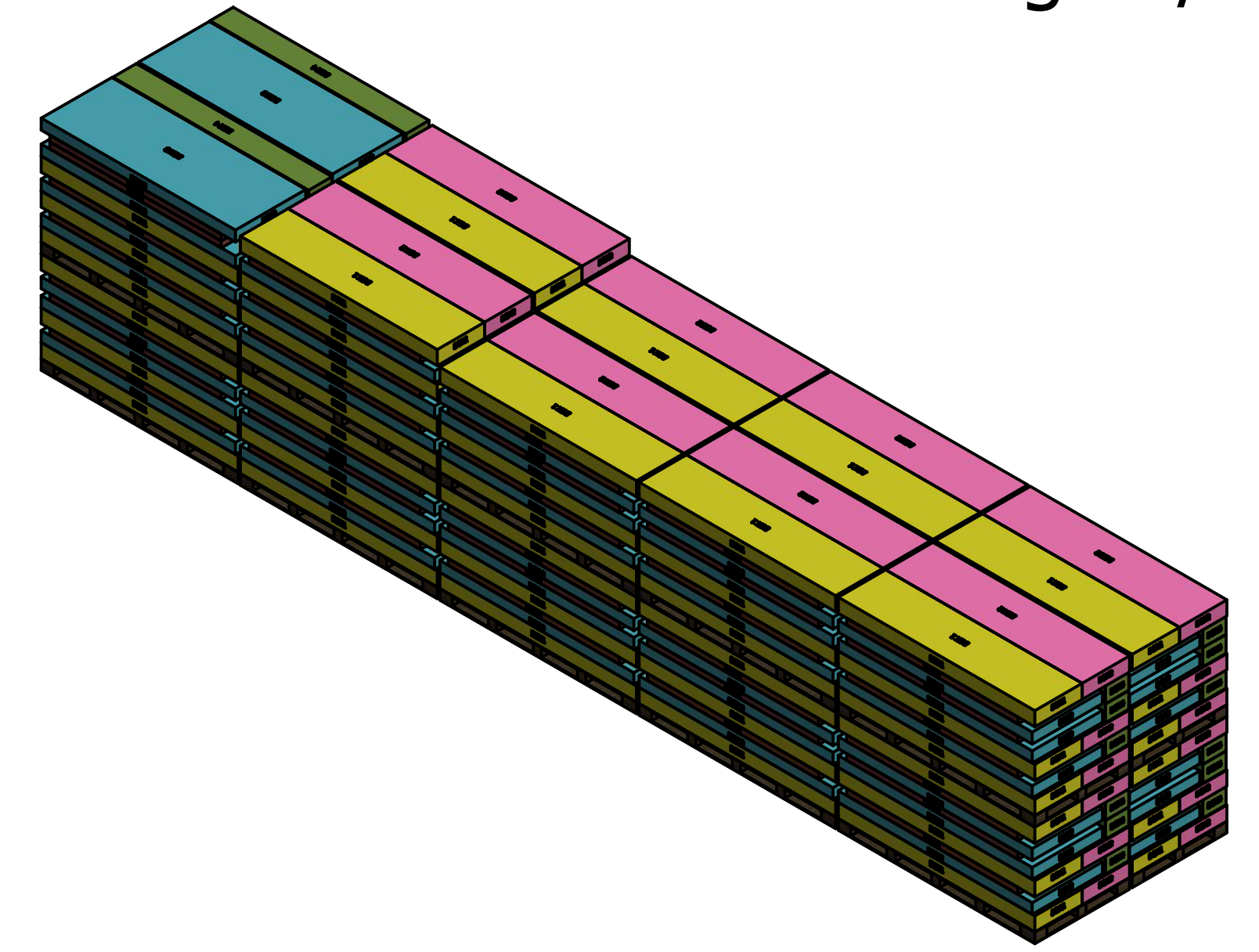
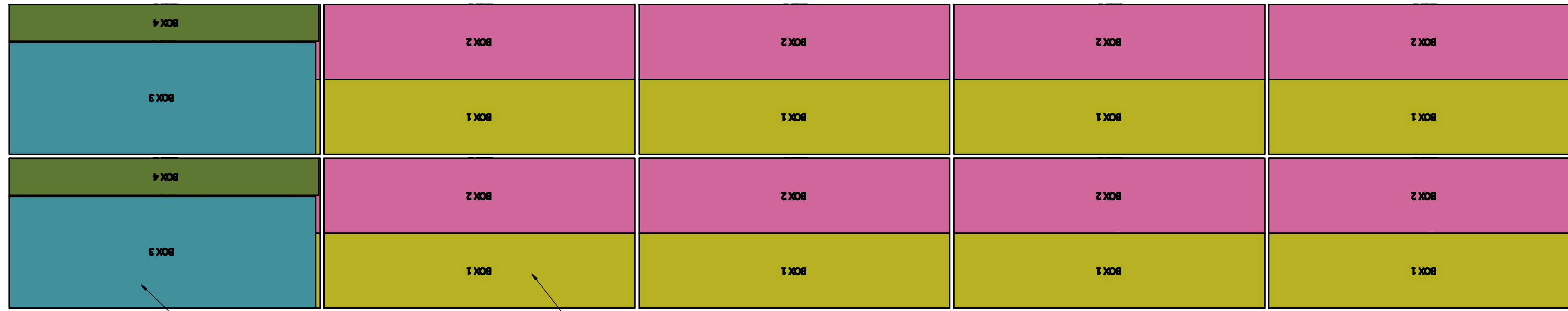


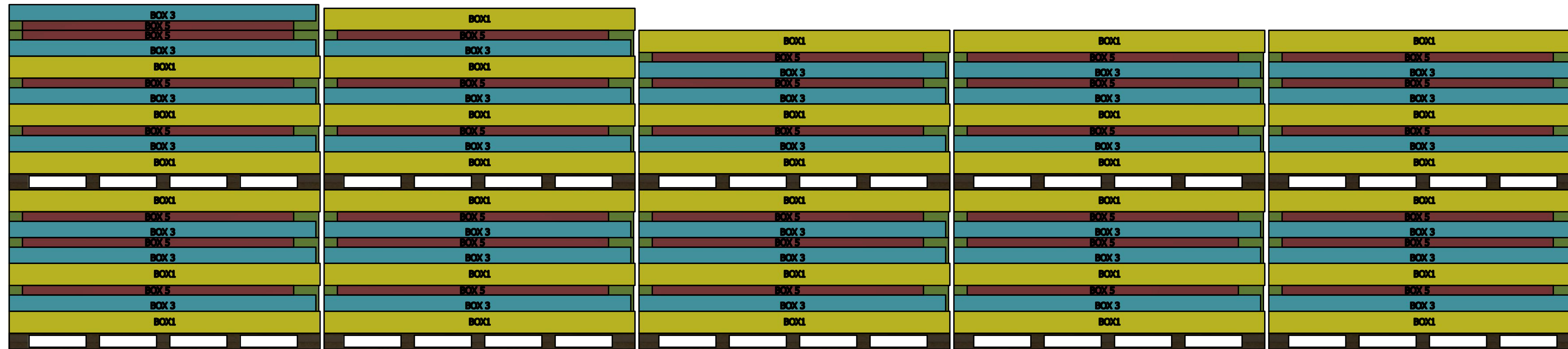
2306059B 12x10 NORWOOD Gazebo Container Loading Diagram

(1 set=5 boxes 62 sets/40HQ, 20 pallets/ 40HQ, Gross Weight: 21460kg)

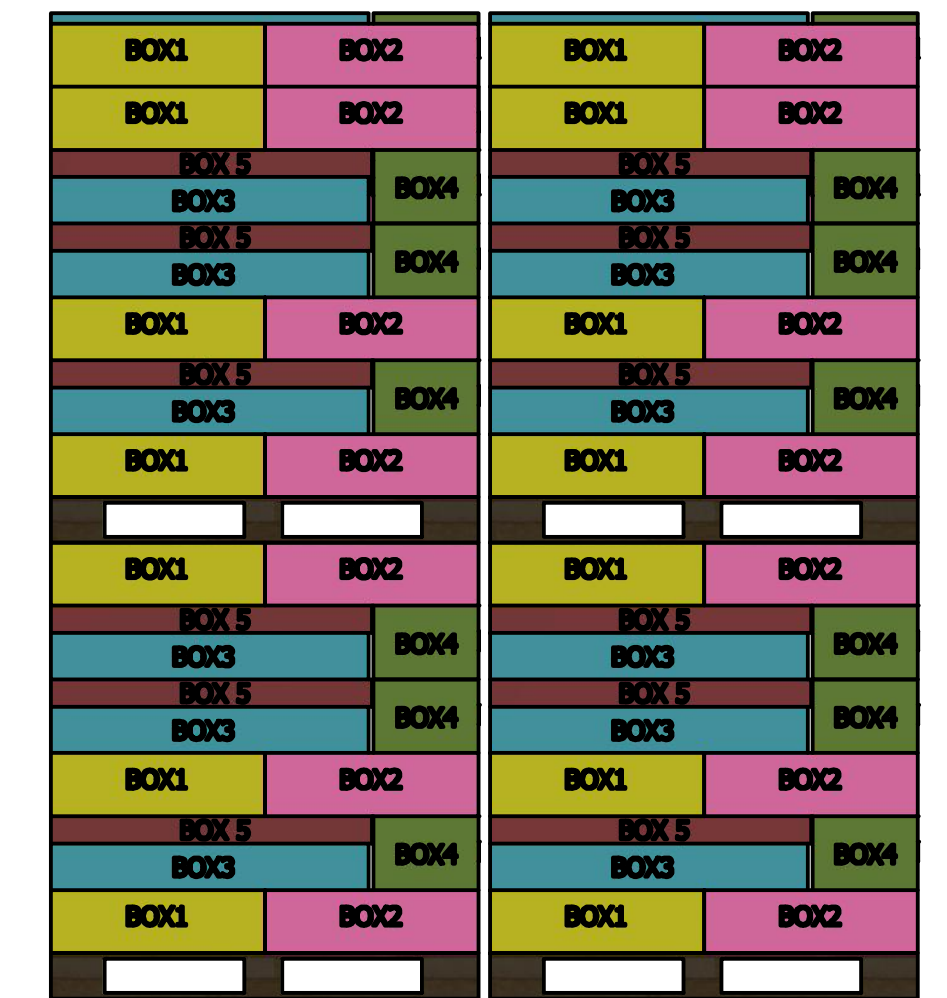
Top view



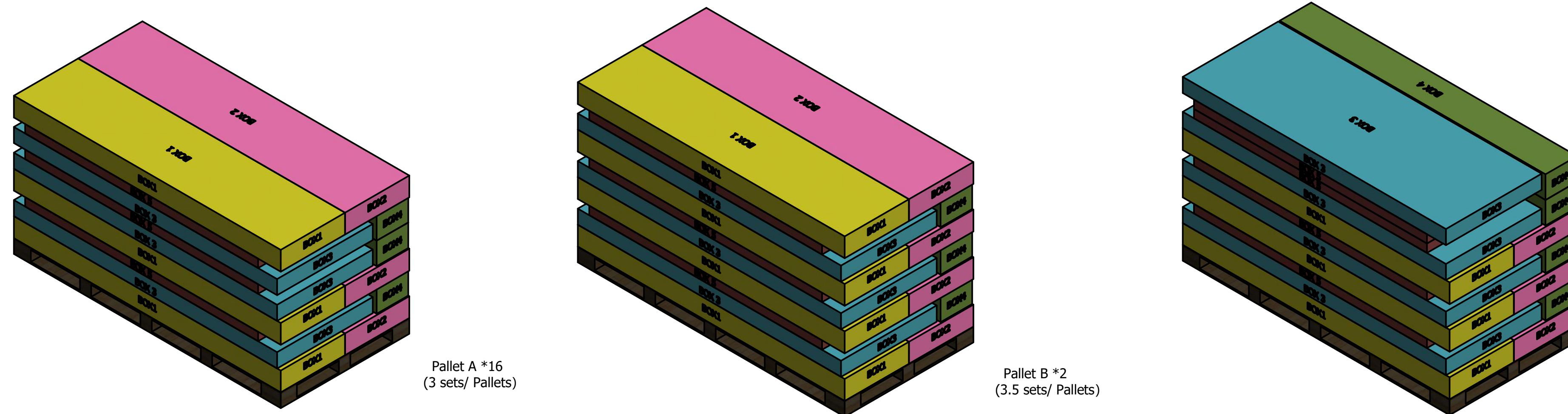
Side view



End view

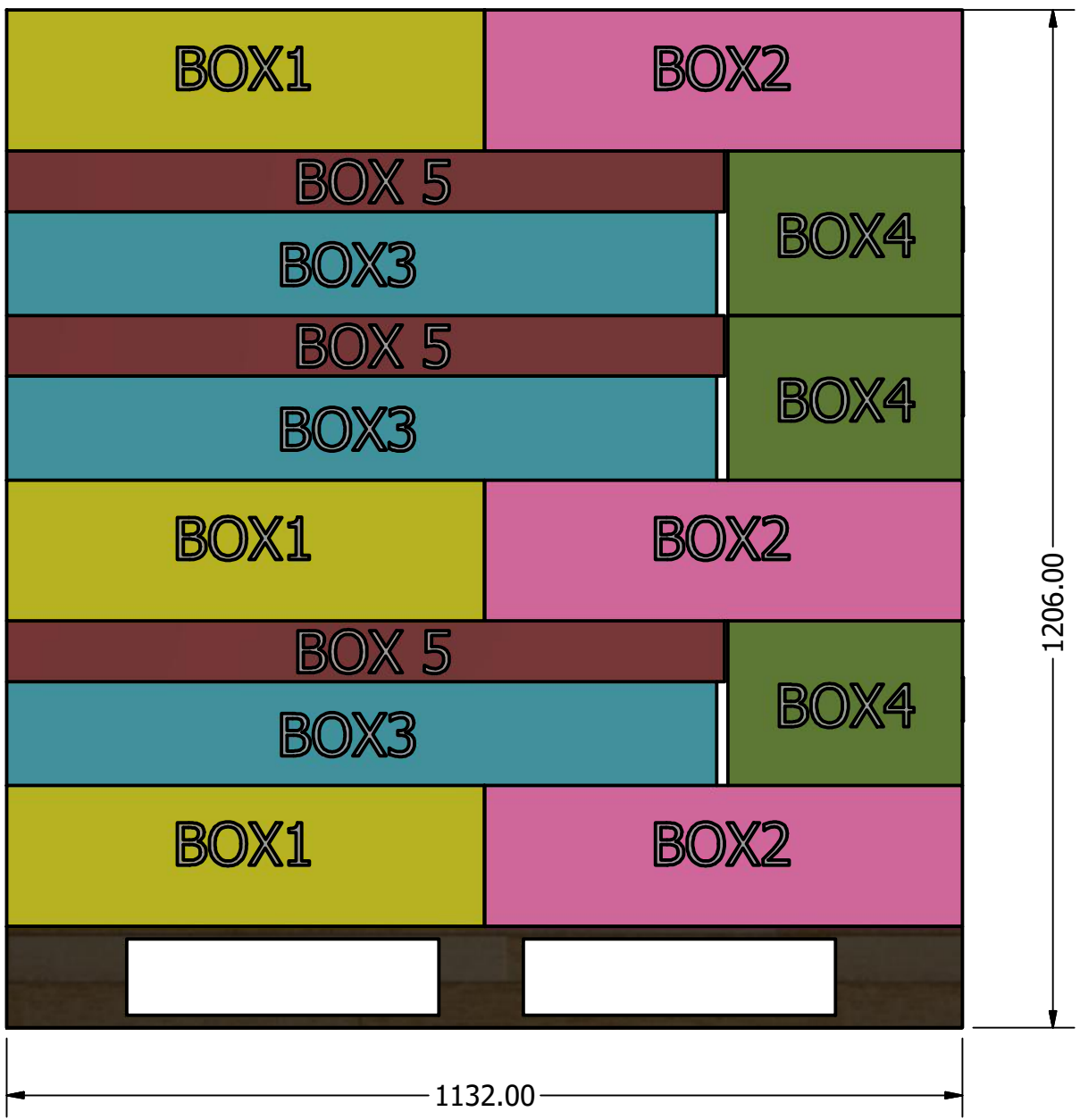
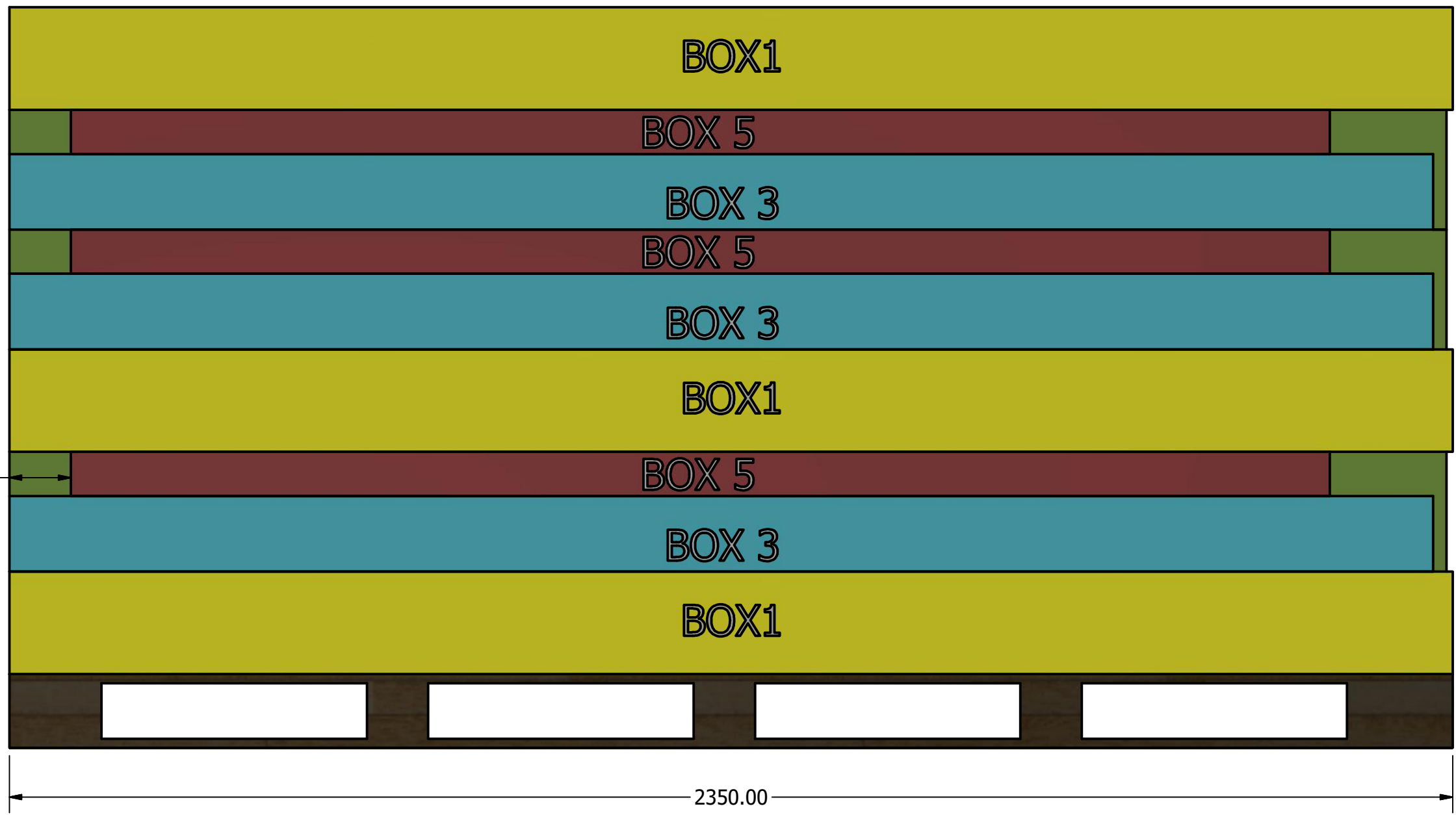
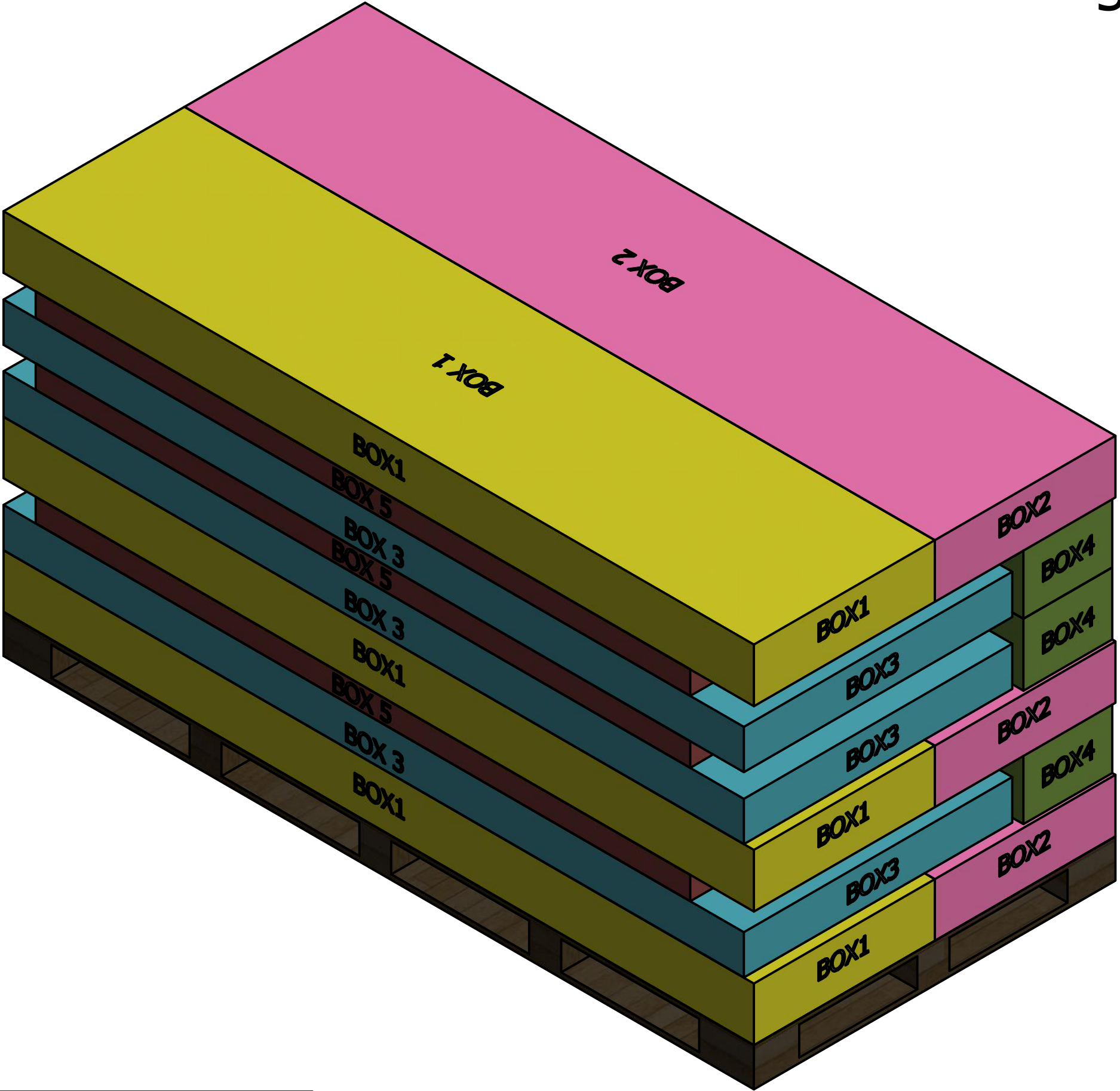


Pallet A *16



DRAWN Rudy	2019/8/19	TITLE	
CHECKED		REV	
QA		SIZE D	DWG NO 2006522
MFG		SCALE 1 / 20	SHEET 1 OF 1
APPROVED			

Pallet A (3 sets/pallet)

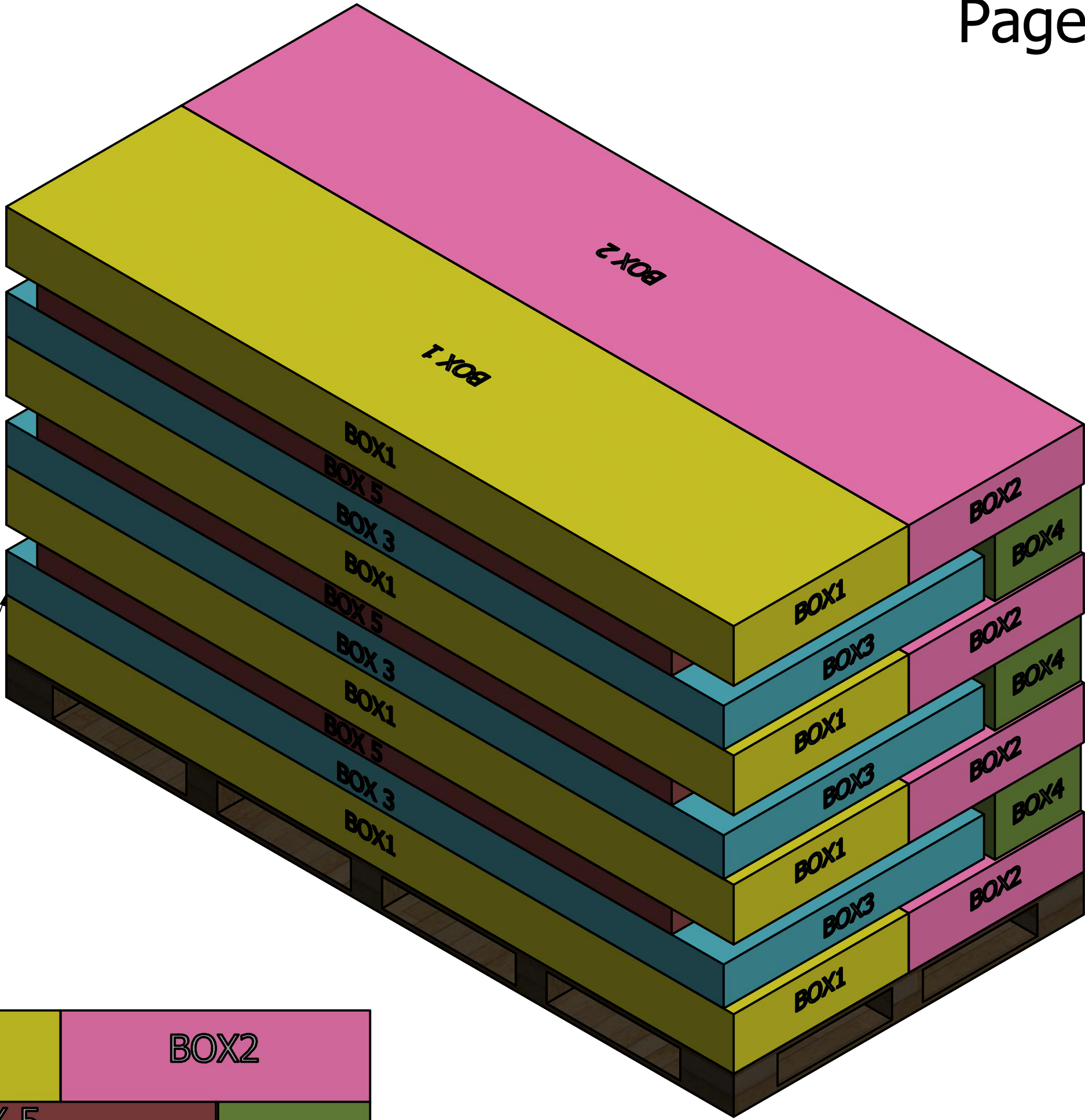


100.00

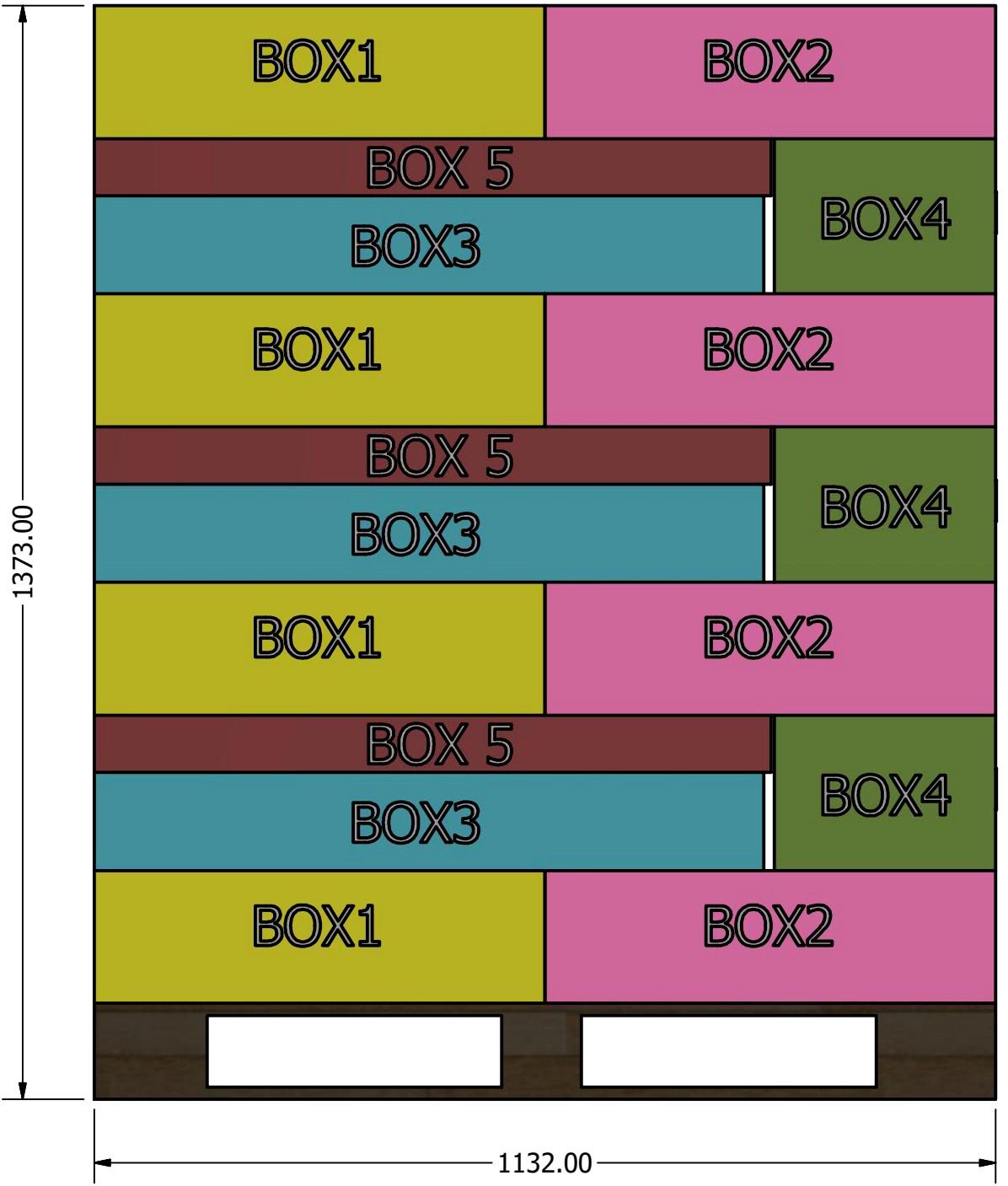
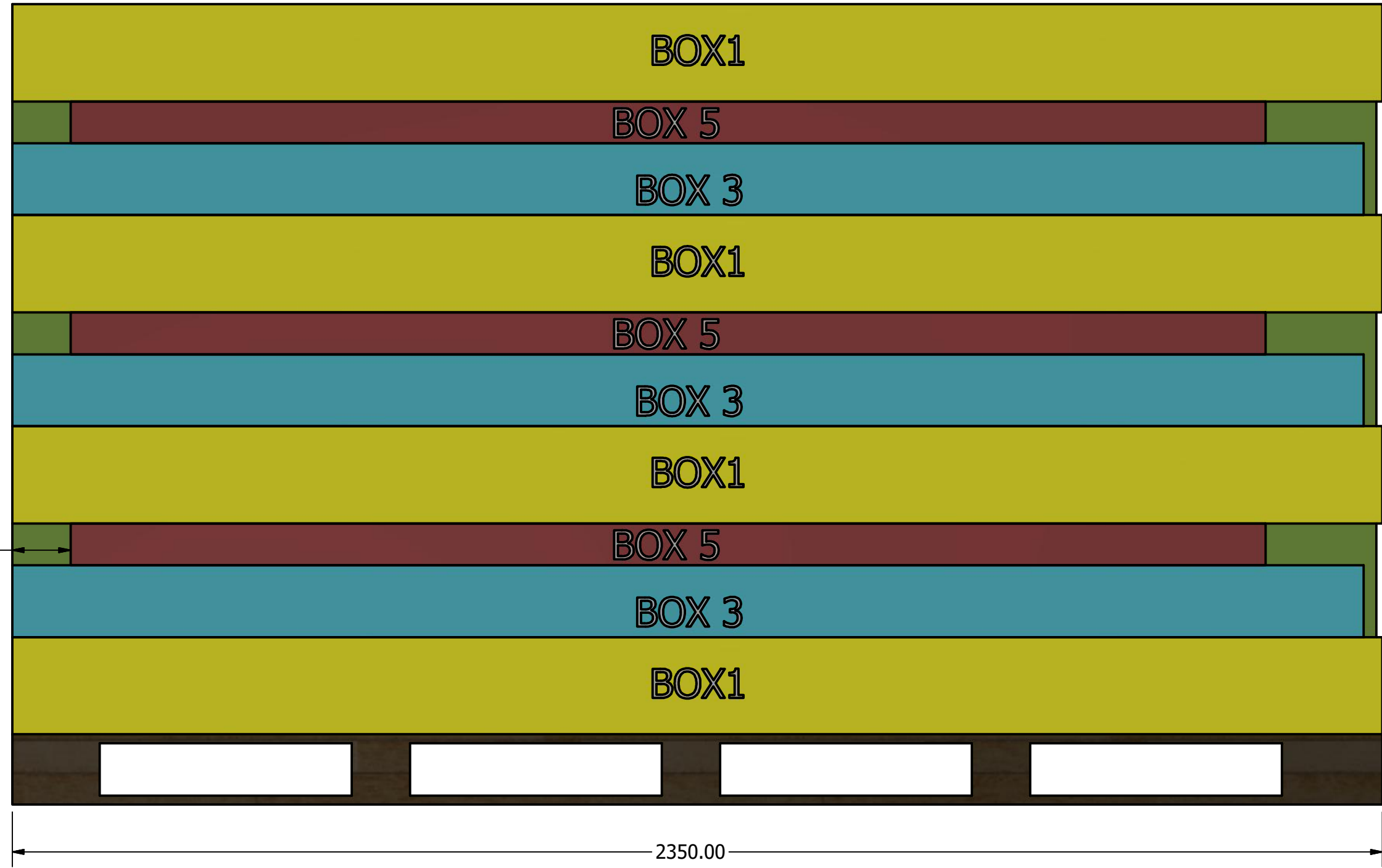
100mm是重要尺寸，这款不要两端头均分空间。

DRAWN Rudy	2019/8/19		
CHECKED		TITLE	
QA			
MFG			
APPROVED			
		SIZE D	DWG NO Pallet A
		SCALE 1 : 10	REV
		SHEET 1 OF 1	

Pallet B (3.5 sets/pallet)

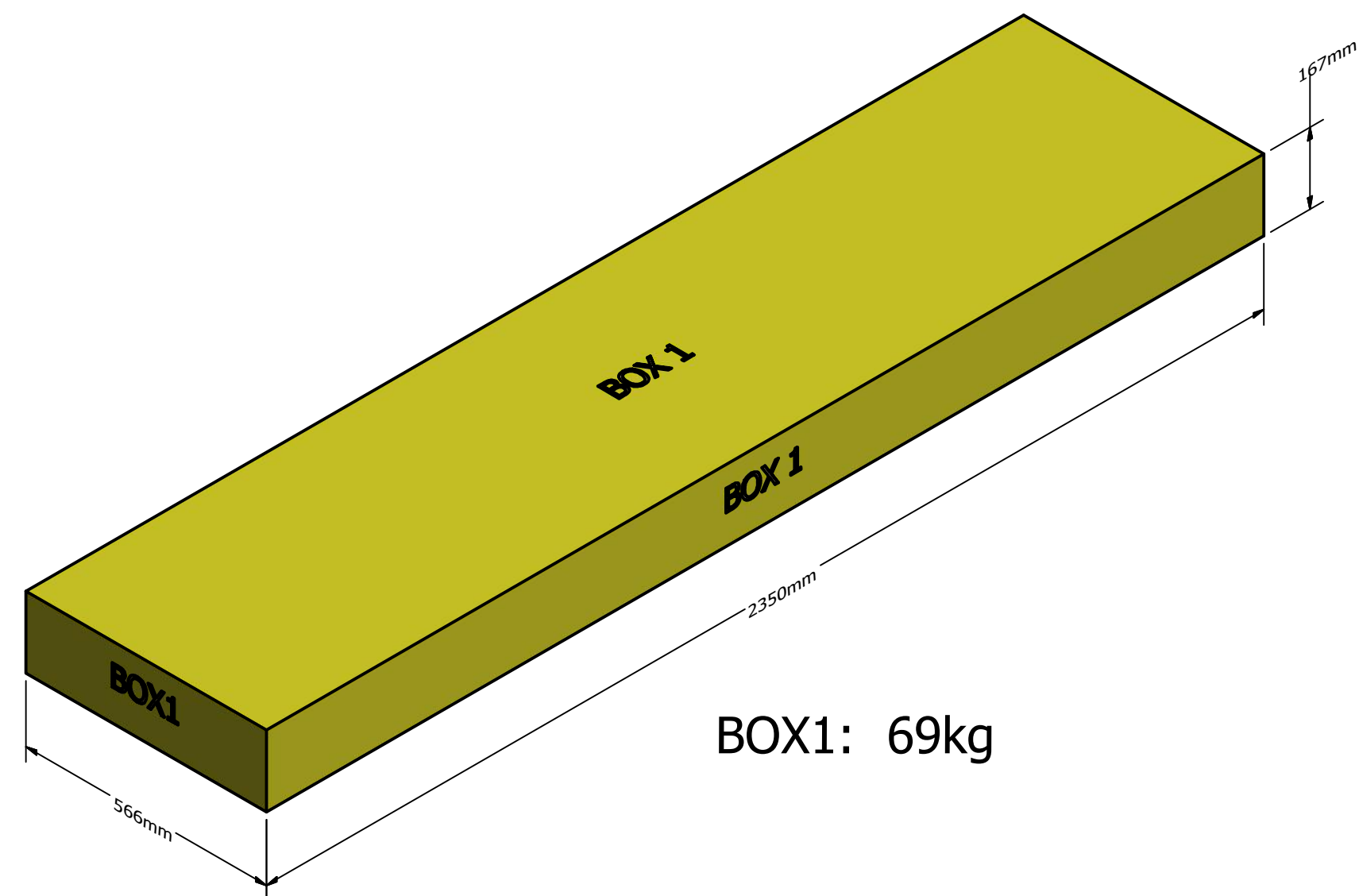


Banded bottom 3 units at first,
and then banded entire pallet of 3.5 units;
叠好底下3套后, 用3根塑钢带进行捆绑;
叠好全部3.5套后, 再用另外2根塑钢带进行捆绑;

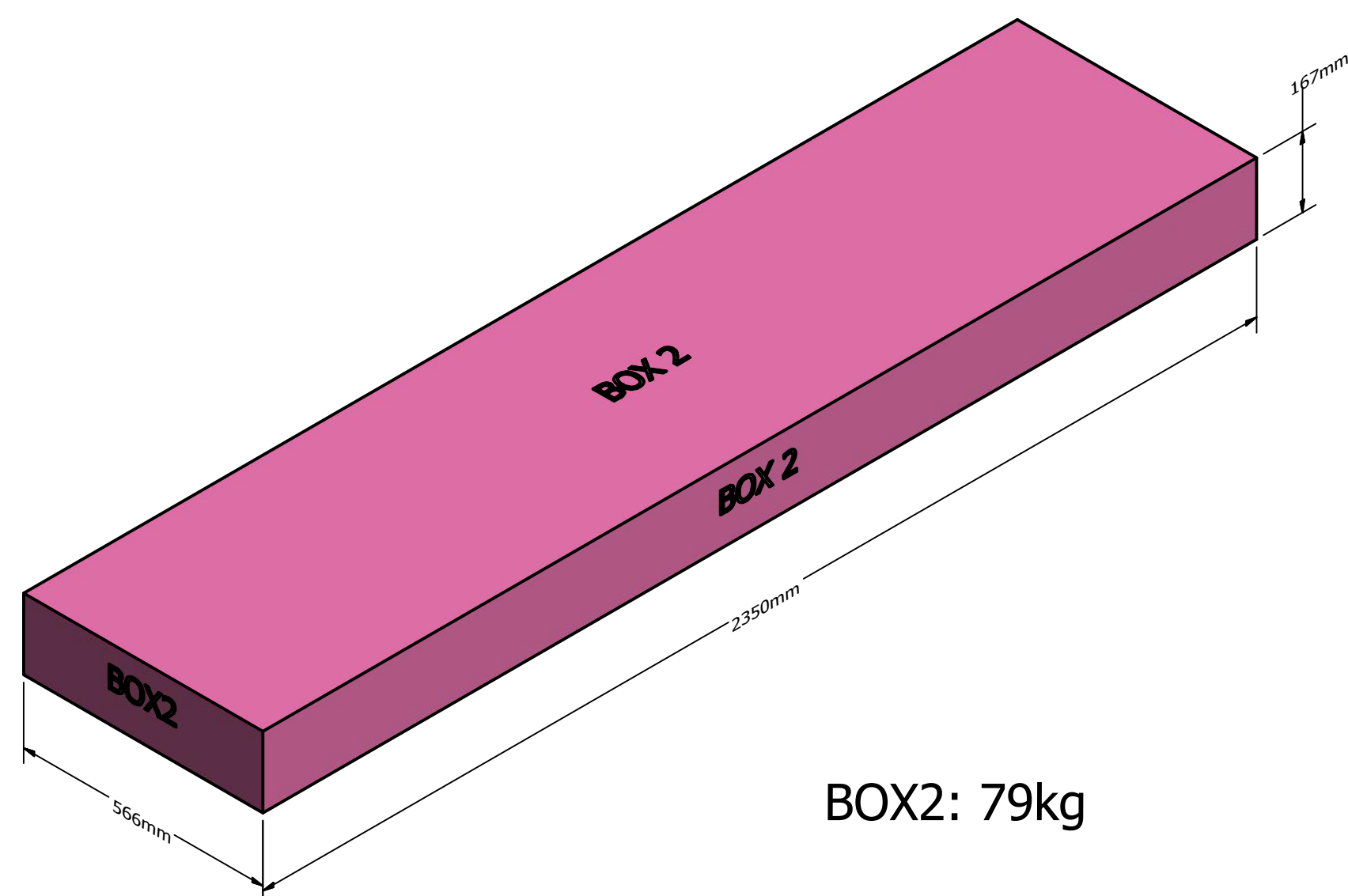


100mm是重要尺寸, 这款不要两端头均分空间。

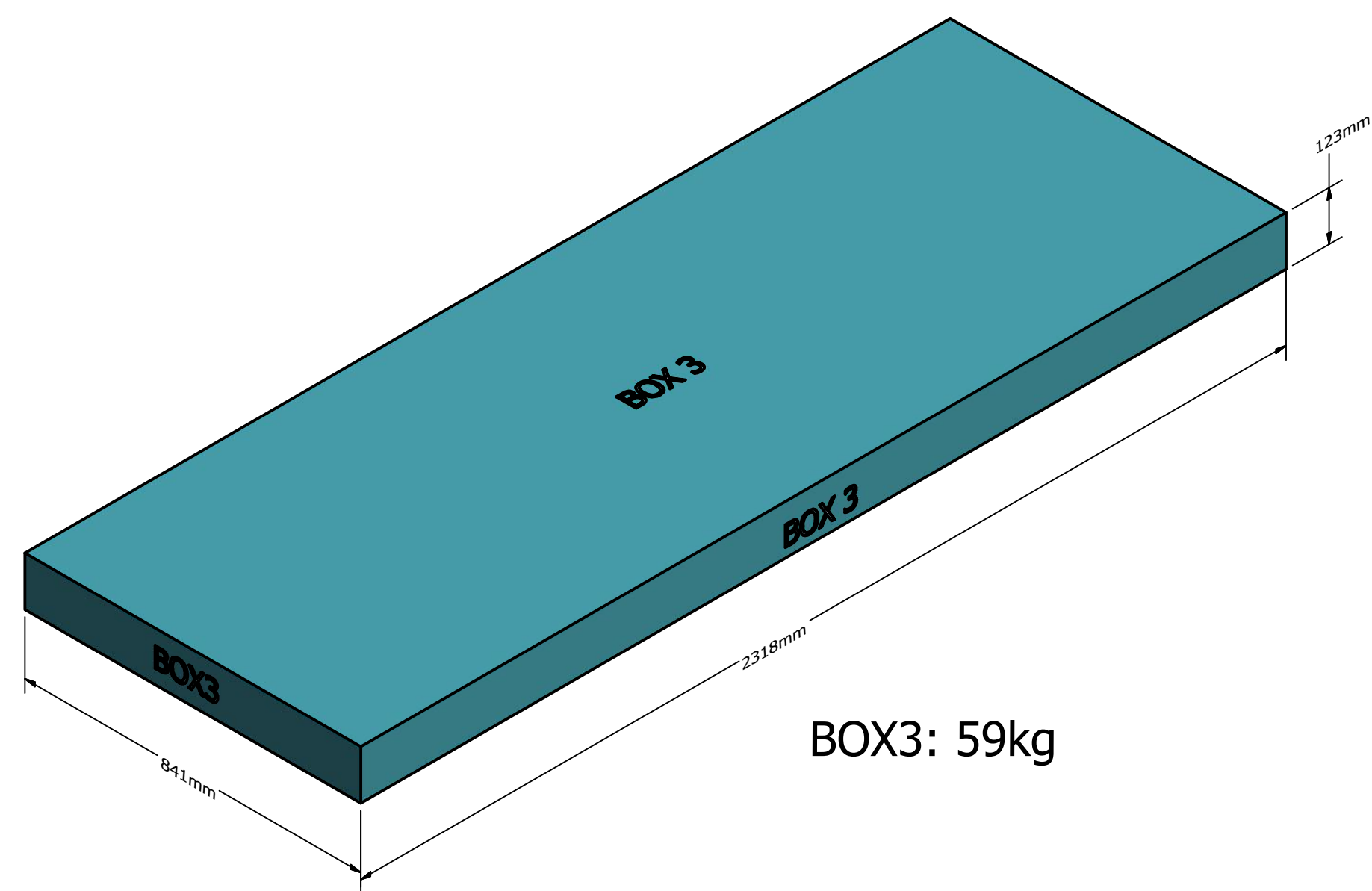
DRAWN	Rudy	2019/8/19		
CHECKED			TITLE	
QA				
MFG				
APPROVED				
			SIZE	DWG NO
			D	Pallet A
			SCALE	1: 8
			SHEET 1 OF 1	



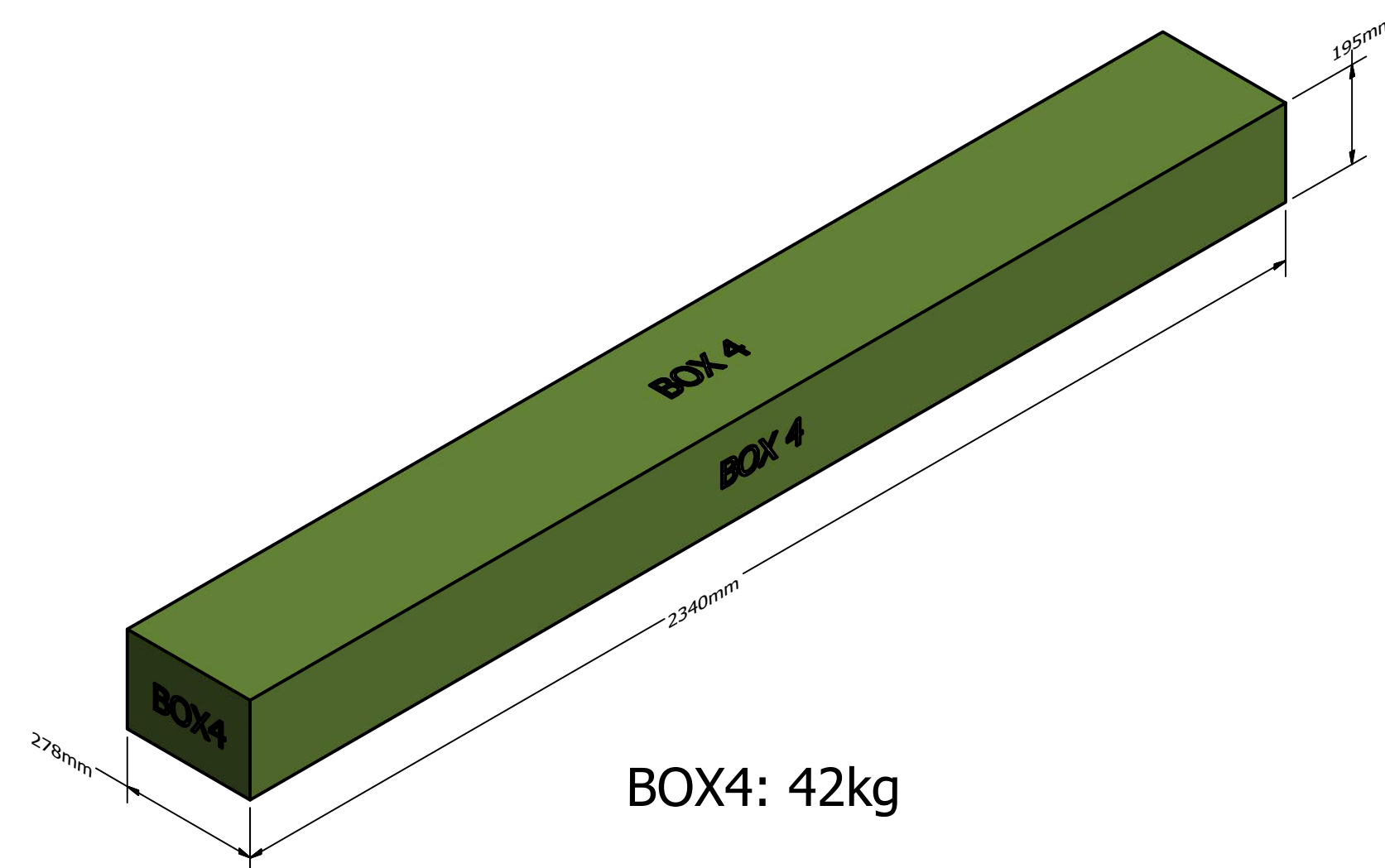
BOX1: 69kg



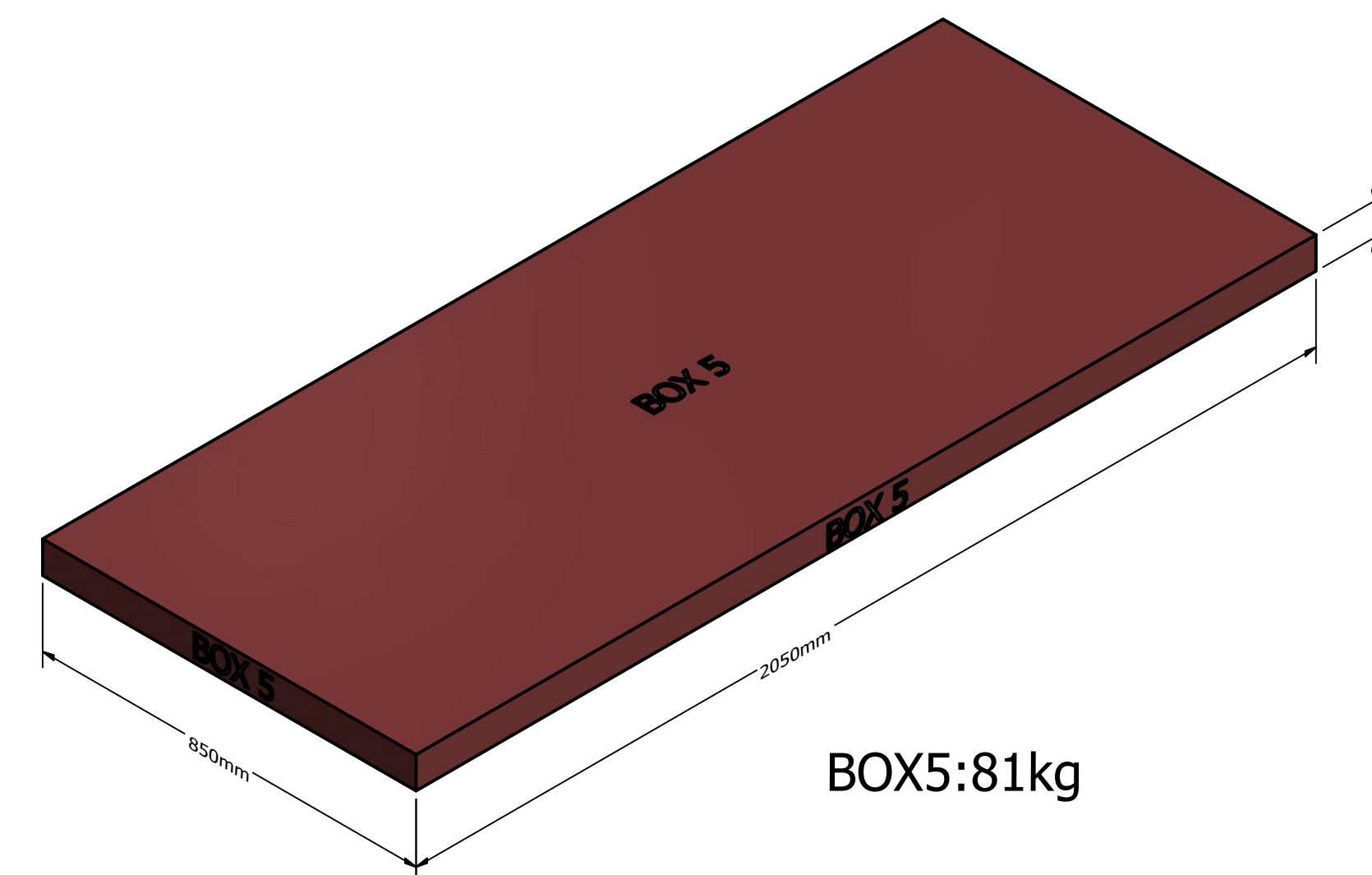
BOX2: 79kg



BOX3: 59kg



BOX4: 42kg



BOX5:81kg

DRAWN Rudy		TITLE		
CHECKED				
QA				
MFG				
APPROVED		SIZE D	DWG NO Pallet A (详细)	REV
		SCALE 1 / 10	SHEET 1 OF 1	