

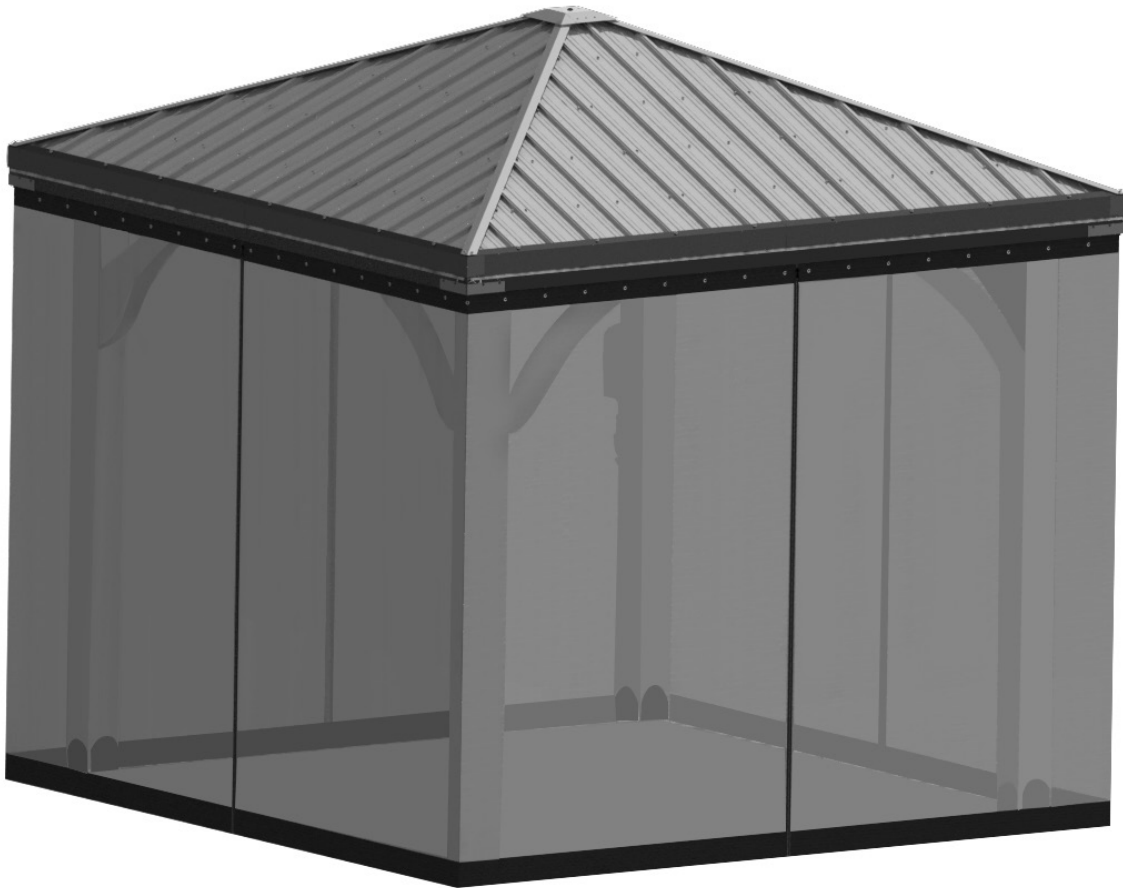


Manufactured by:
Backyard Discovery
3305 Airport Drive, Pittsburg, KS 66762
800-856-4445

*Basepoint Business Centre: Rivermead Drive, Westlea, Swindon SN5 7EX Phone: 0800-118-2476
J.P. Coenstraat 7, The Bridge, The Hague, 2595 WP, Netherlands Phone: 08005678990*

10x10 BARRINGTON MOSQUITO MESH KIT

MODEL #: 9240193



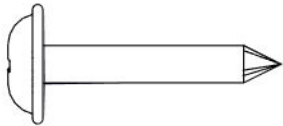
Please visit www.backyarddiscovery.com
For the most up to date assembly manual, to register your product, or to order
replacement parts Para obtener instrucciones en español, visite
www.backyarddiscovery.com

Made in China

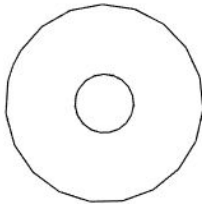
INS-9240193-A-10x10 BARRINGTON MOSQUITO MESH KIT-ENG 12-26-2024

OWNER'S MANUAL - PARTS IDENTIFICATION

HARDWARE COMPONENTS (NOT TO SCALE)

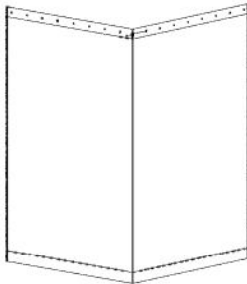


H100392 SCREW PWH BLK
(x100) #8x3/4

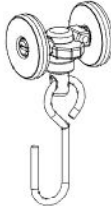


H100478 WASHER BLK
(x8) 8x27

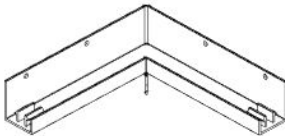
ACCESSORY COMPONENTS (NOT TO SCALE)



A6P01127 MESH PANEL
(x4)



A6P00535 MESH PANEL HOOK
(x64)



A6P00720 CORNER CAP
(x4)



A6P00752 MESH PANEL TIE
(x4)



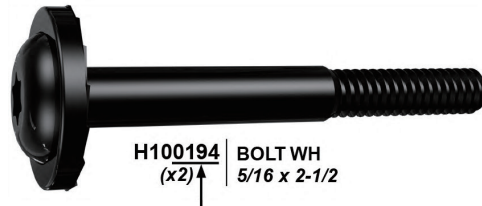
A6P00717 MESH PANEL TRACK
(x8)

PRE-ASSEMBLY STEP 1 - SORTING PARTS

It is critical for ease of assembly that you take the time to sort and organize the parts and hardware.

HARDWARE PARTS:

- We recommend that you have a separate table to organize the hardware.
- Hardware bags are printed with a seven-digit, alpha-numeric part number.
- You can organize your hardware by part number or group by hardware type (e.g. bolts, nuts, etc.).
- During assembly you only need to reference the last four digits of the number.



TOOLS REQUIRED:



Cordless Drill or
Electric Drill



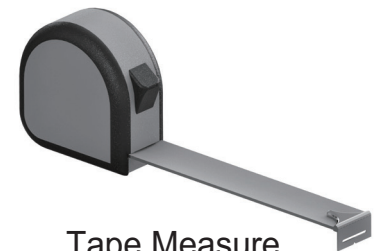
Drill Attachments:
Phillips Head



Phillips Screw Driver



1/8", 3/16", 3/8" &
7/16" Drill Bits



Tape Measure

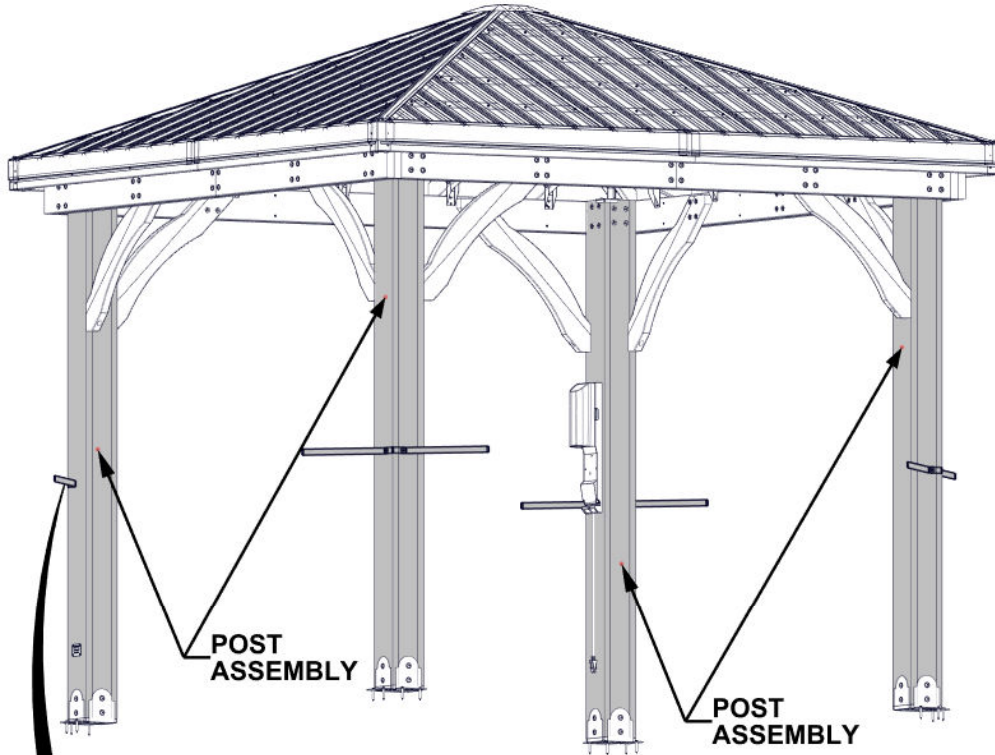
STEP 1- TIES



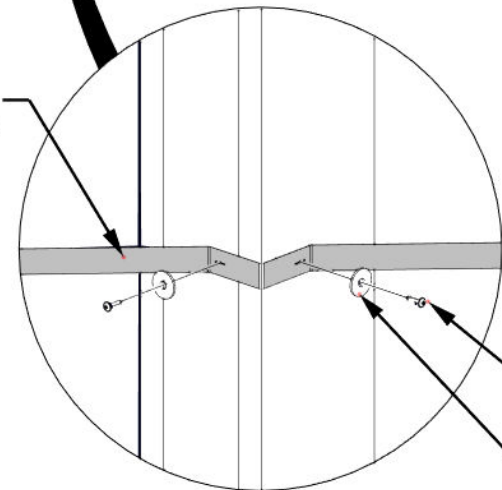
0752 MESH PANEL TIE
(x4)

Qty	PartNo	Description
8	H100478	WASHER FLAT 8x27 BLK
8	H100392	SCREW PWH 8x3/4 BLK

- ATTACH EACH MESH PANEL TIE TO THE POST ASSEMBLY AS SHOWN BELOW.



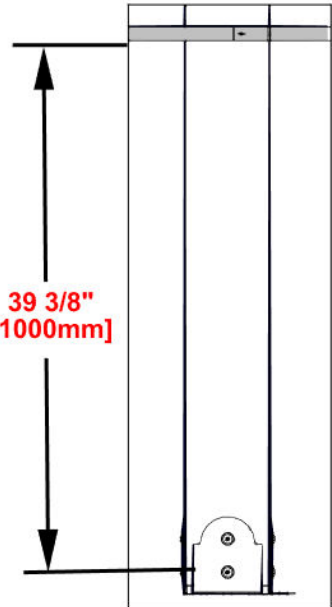
0752 (x4)
MESH
PANEL TIE



392 (x8)
SCREW - 3/4"

478 (x8)
WASHER - 8x27 BLK

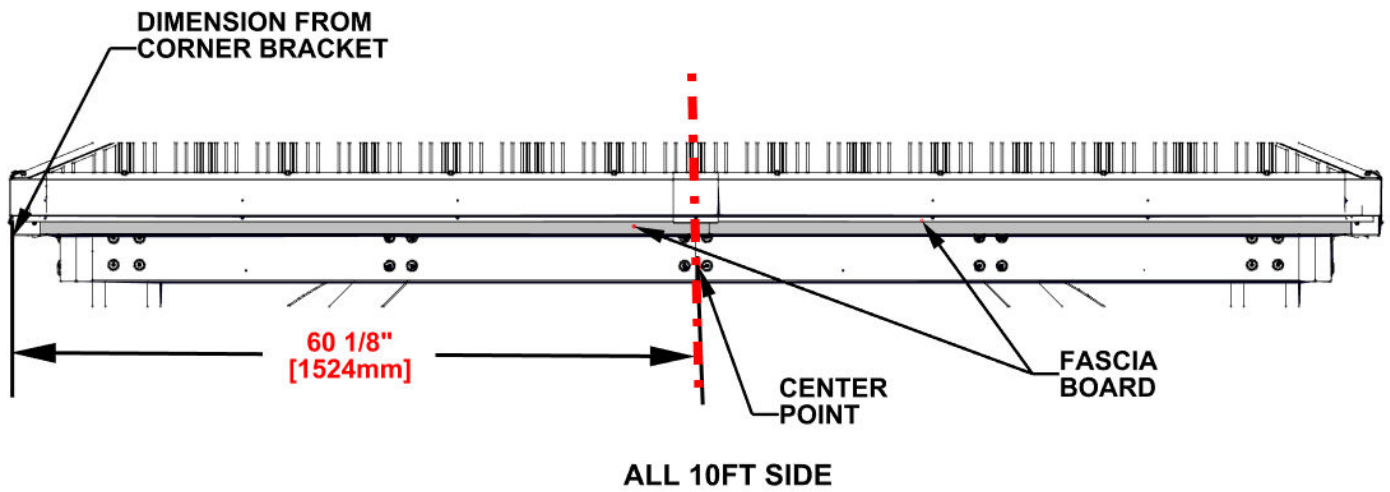
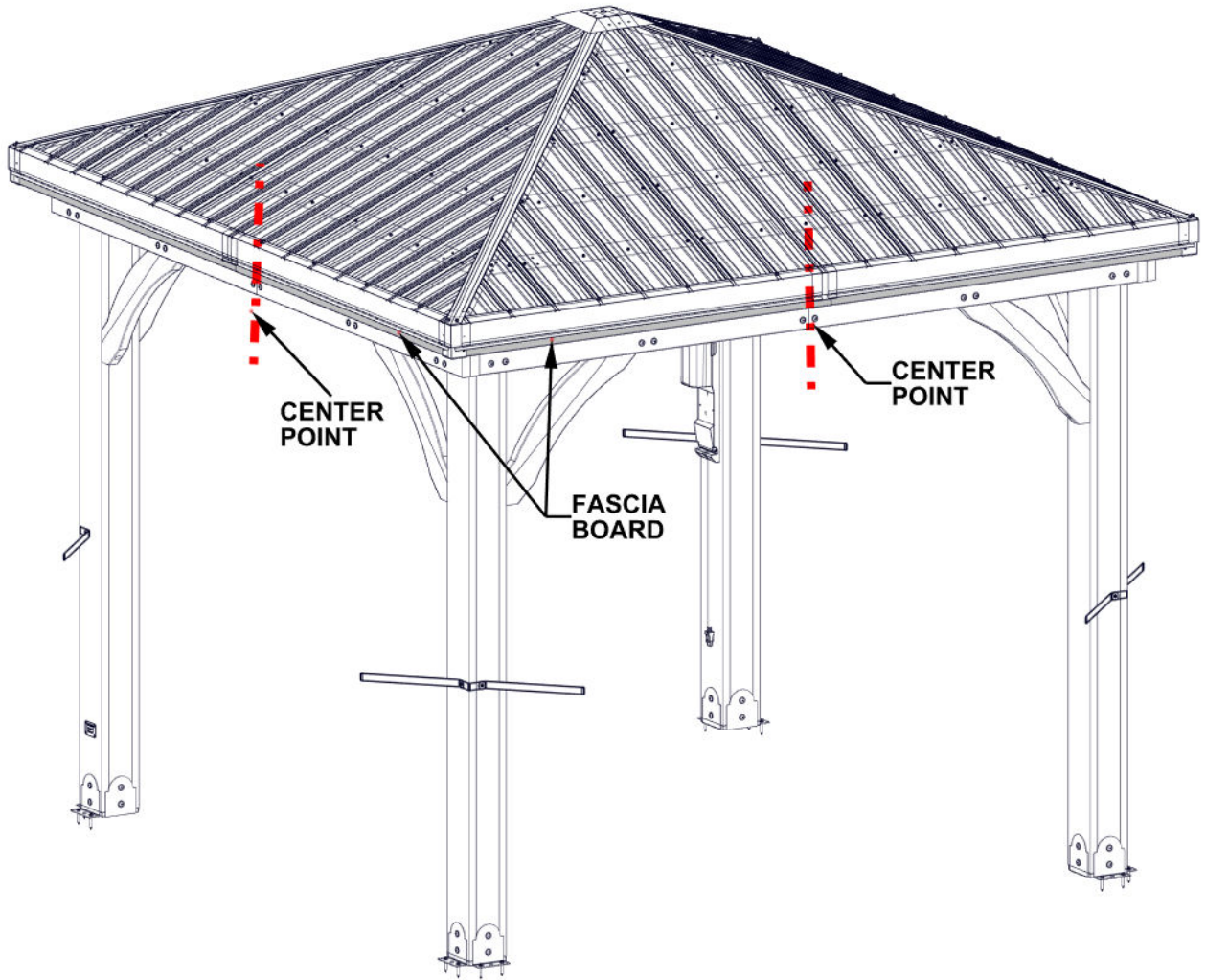
39 3/8"
[1000mm]



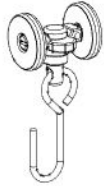
STEP 2- MEASURE

EXTRA PEOPLE ARE HELPFUL FOR THIS STEP.

- MEASURE & MARK CENTER ON ALL FOUR SIDES OF FASCIA BOARD.



STEP 3 - TRACKS 10FT SIDE



A6P00535 MESH PANEL HOOK
(x32)

Qty	PartNo	Description
40	H100392	SCREW PWH 8x3/4 BLK



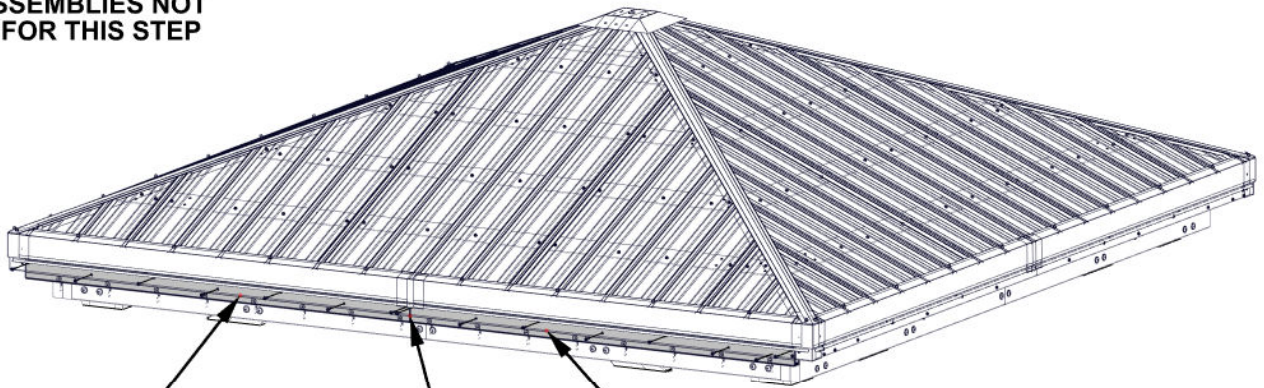
A6P00717 MESH PANEL TRACK
(x4)

EXTRA PEOPLE ARE HELPFUL FOR THIS STEP.

1. BEGINNING AT THE CENTER POINT, MOUNT ONE (0717) TRACK SO IT IS FULLY SEATED AGAINST THE BOTTOM OF THE FASCIA BOARD (IMAGE 1).
2. ATTACH AS SHOWN (IMAGE 2).
3. INSERT 8 HOOKS AS SHOWN (IMAGE 3) AND SPACE EVENLY.
4. REPEAT STEPS 1-3 FOR THE SECOND TRACK.
5. REPEAT ALL STEPS FOR THE OPPOSITE 10FT SIDE.

NOTE: TRACKS SHOULD BE FLUSH IN THE CENTER.

POST ASSEMBLIES NOT SHOWN FOR THIS STEP



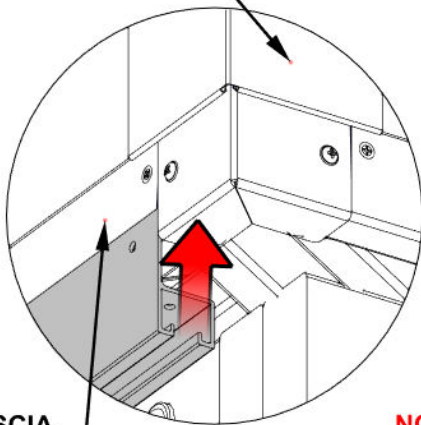
0717 (x1)
MESH PANEL TRACK

FLUSH

0717 (x1)
MESH PANEL TRACK

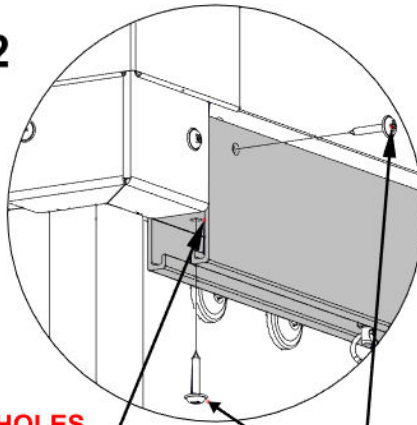
CORNER BRACKET

1



FASCIA BOARD

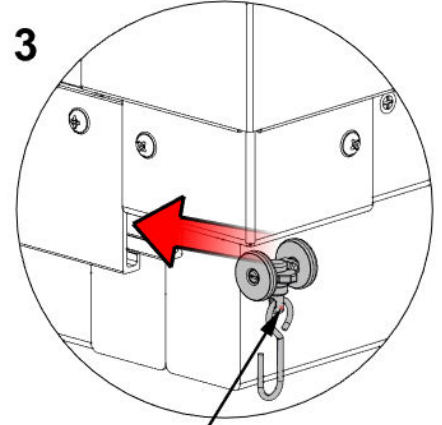
2



NOTE 3 HOLES IN BOTTOM OF TRACKS

392 (x20)
SCREW - 3/4"

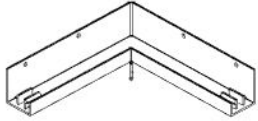
3



0535 (x16)
MESH PANEL HOOK

STEP 4A - TRACKS NEXT 10FT SIDE

Qty	PartNo	Description
13	H100392	SCREW PWH 8x3/4 BLK



A6P00720 CORNER CAP
(x1)

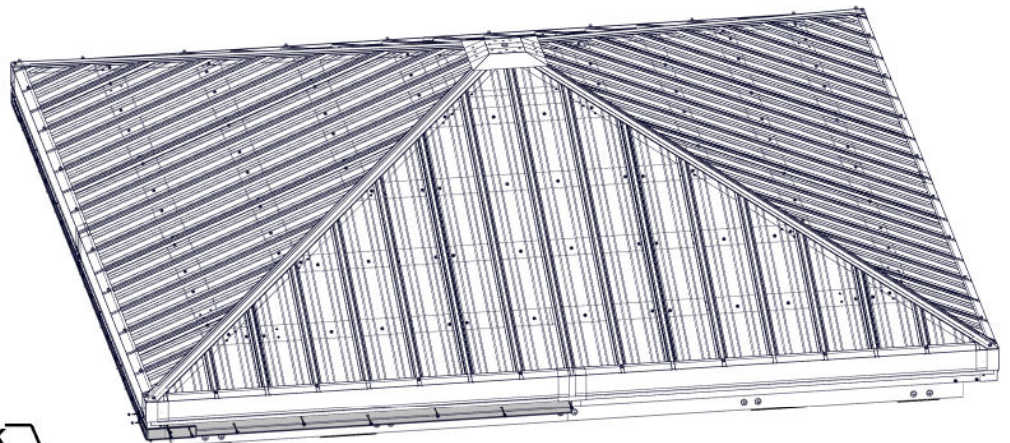


A6P00717 MESH PANEL TRACK
(x1)

EXTRA PEOPLE ARE HELPFUL FOR THIS STEP.

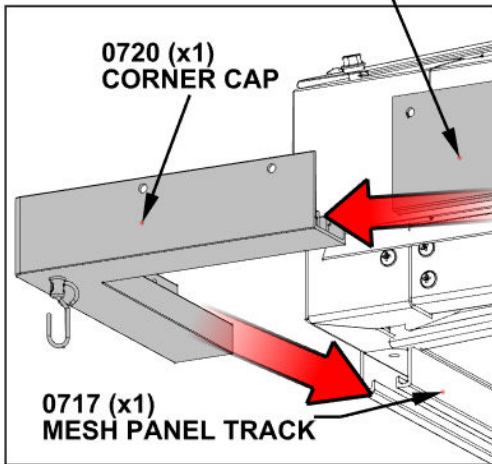
1. BEFORE PLACING THE TRACK, SLIDE ONE 0717 TRACK INTO THE 0720 CORNER CAP TO CREATE ONE PIECE (IMAGE 1).
2. MOUNT CORNER CAP & TRACK COMBINATION SO IT IS FULLY SEATED AGAINST THE BOTTOM OF THE FASCIA BOARD.
3. SLIDE THE OTHER SIDE OF THE CORNER CAP ONTO THE 10FT TRACK (0717) (IMAGE 1).
4. ADJUST CORNER CAP AS NEEDED TO ENSURE THE OTHER END OF THE TRACK IS AT THE CENTER POINT. SECURE TRACK AS SHOWN (IMAGE 2). INSERT CORNER CAP SCREWS LAST (IMAGE 3).

POST ASSEMBLIES NOT SHOWN FOR THIS STEP



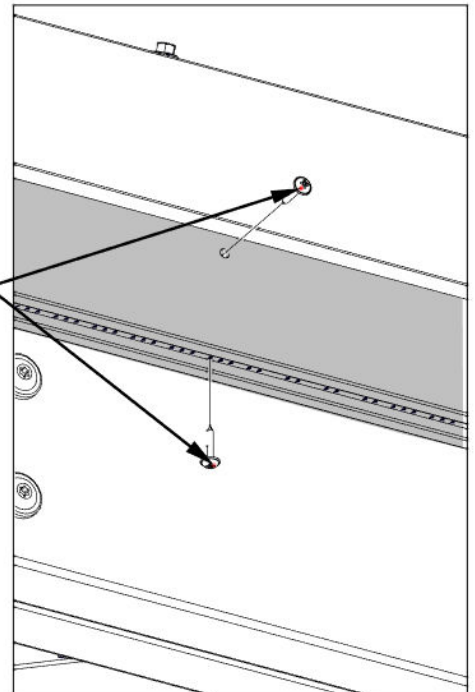
0717 (x1)
MESH PANEL TRACK

1

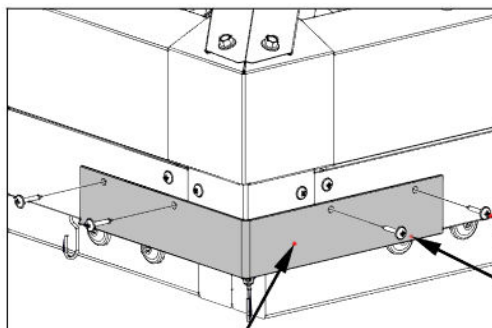


2

392 (x9)
SCREW - 3/4"



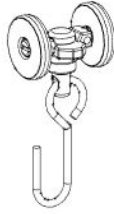
3



392 (x4)
SCREW - 3/4"

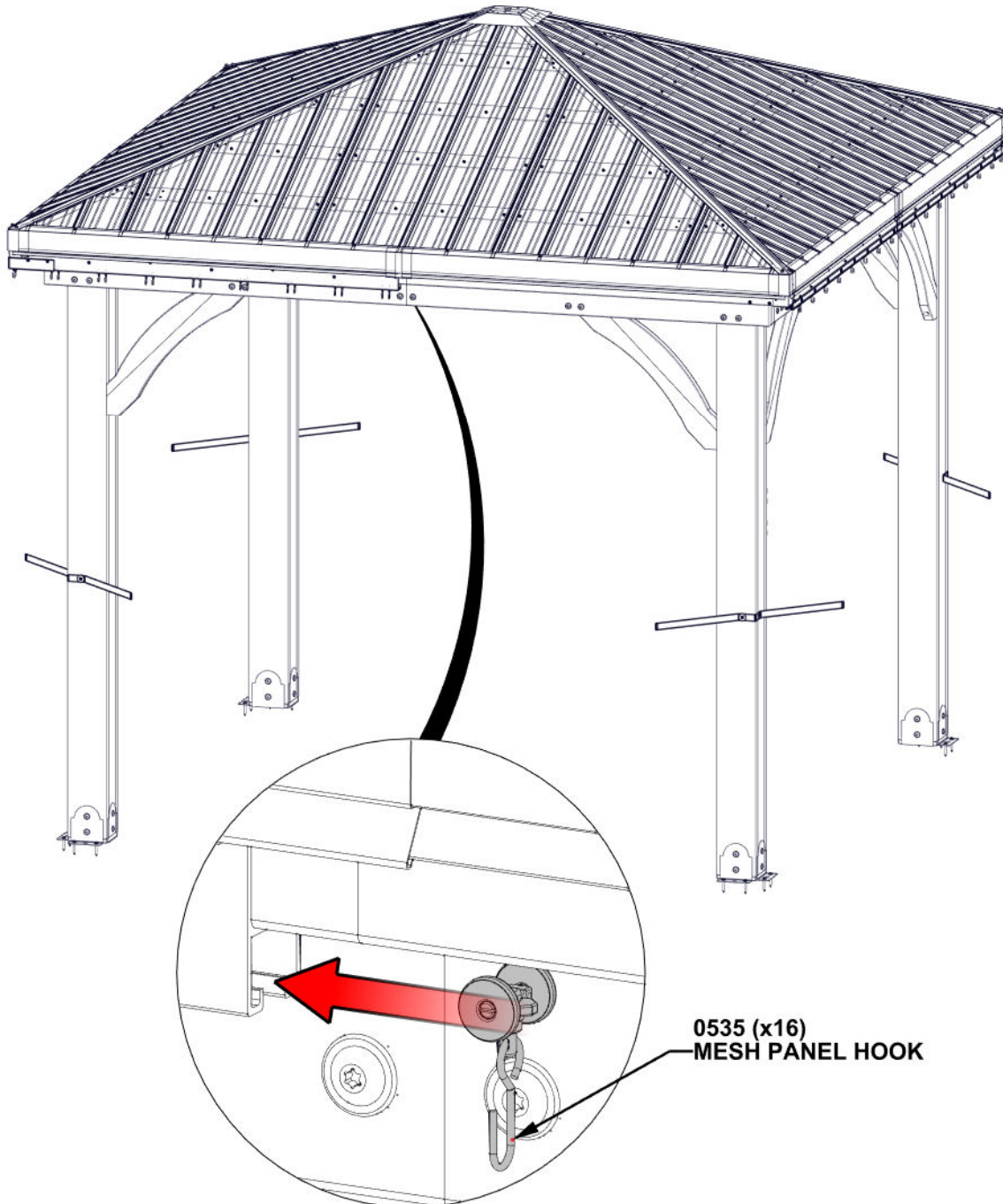
0720 (x1)
CORNER CAP

STEP 4B - HOOKS NEXT 10FT SIDE

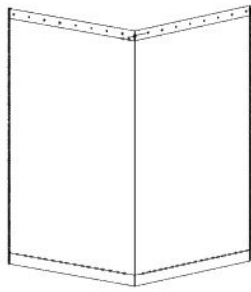


A6P00535 MESH PANEL HOOK
(x16)

1. INSERT 16 HOOKS INTO THE TRACK. **NOTE: INSERT HOOKS BEFORE ATTACHING SECOND TRACK.**
2. REPEAT STEP 4A FOR SECOND 0717 TRACK & 0720 CORNER CAP.
3. AFTER TRACKS ARE ATTACHED, SPACE HOOKS EVENLY. (8 PER TRACK)
4. REPEAT STEPS 4A AND 4B FOR OPPOSITE 10FT SIDE.

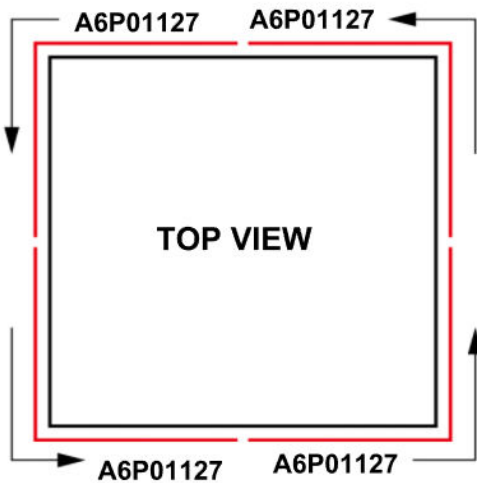


STEP 5 - MESH PANEL

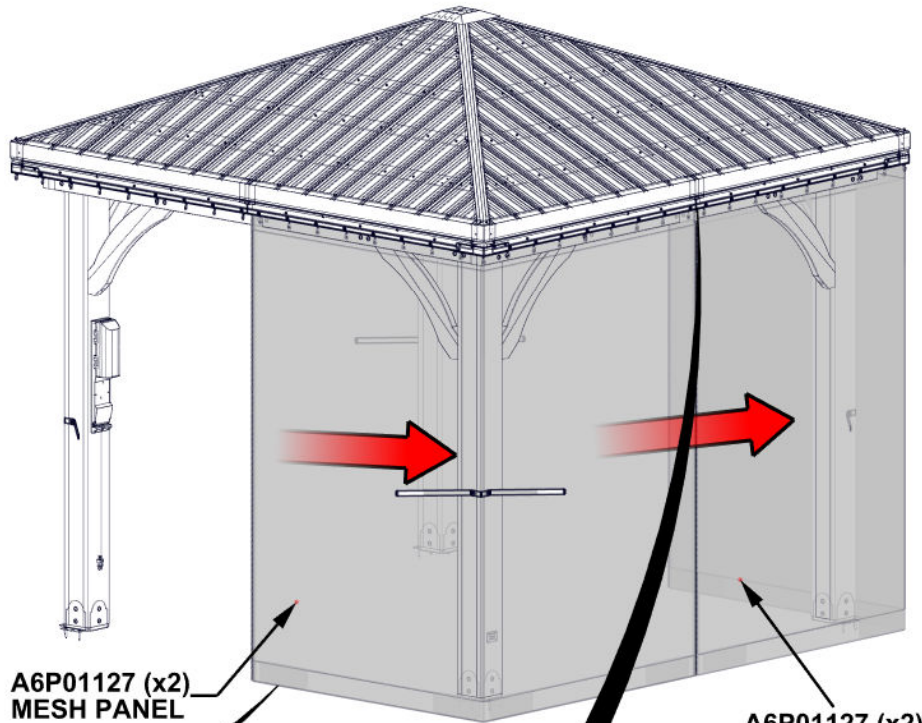


A6P01127 MESH PANEL
(x4)

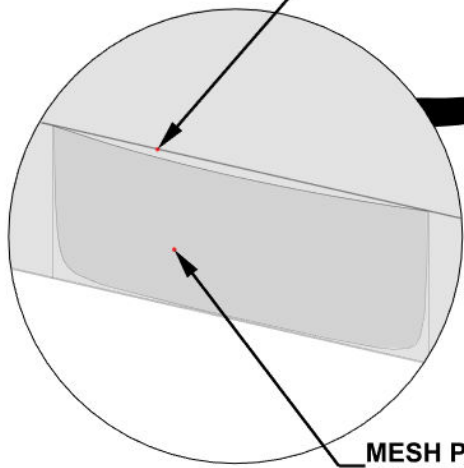
1. EACH PANEL GOES AROUND THE OUTSIDE OF THE POSTS AND COVERS ONE HALF OF 10FT SIDE AND ONE HALF OF THE OTHER 10FT SIDE.
2. THE POCKETS AT THE BOTTOM OF THE PANELS SHOULD BE FACING THE INSIDE OF THE GAZEBO. **ZIPPERS WILL NOT ALIGN IF PANELS ARE FACING THE WRONG DIRECTION.**
3. BEGIN HANGING MESH PANEL A6P01127 AT THE CENTER OF THE 10FT SIDE (USING 8 HOOKS). CONTINUE AROUND THE POST TO THE OTHER 10FT SIDE (USING 8 HOOKS). **DO NOT ATTACH CORNER HOOK AT THIS TIME.**
4. REPEAT USING THE A6P01127 PANEL ON THE SECOND HALF OF THE 10FT SIDE.
5. REPEAT STEPS 3 & 4.
6. **AFTER ALL PANELS ARE HUNG, ZIP TOGETHER AND ATTACH CORNER HOOKS INTO SLOT THAT BEST ALIGNS WITH THE HOOK.**



TOP VIEW



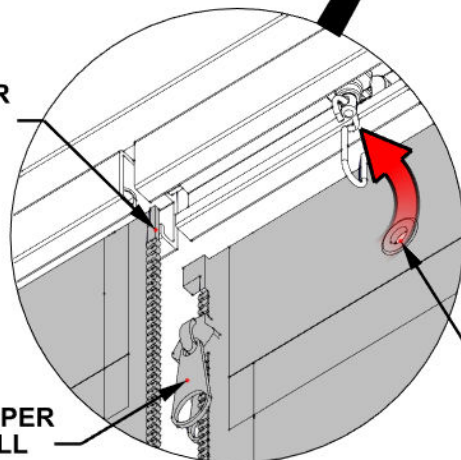
IT IS RECOMMENDED THAT EACH POCKET IS FILLED WITH WEIGHT



MESH PANEL POCKET

ZIPPER PIN

ZIPPER PULL



GROMMET