



Manufactured by:  
Backyard Discovery  
3305 Airport Drive, Pittsburg, KS 66762  
800-856-4445

*Basepoint Business Centre: Rivermead Drive, Westlea, Swindon SN5 7EX Phone: 0800-118-2476 J.P. Coenstraat 7, The Bridge, The Hague, 2595 WP, Netherlands Phone: 08005678990*

# 10x10 NORWOOD & 12x10 NORWOOD GAZEBO GUTTER KIT MODEL #: 9240520/9240513



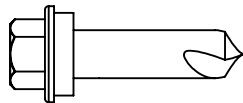
**Please visit [www.backyarddiscovery.com](http://www.backyarddiscovery.com)**  
For the most up to date assembly manual, to register your product, or to order  
replacement parts Para obtener instrucciones en español, visite  
[www.backyarddiscovery.com](http://www.backyarddiscovery.com)

# **OWNER'S MANUAL - PARTS IDENTIFICATION**

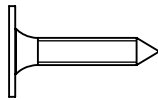
## **Hardware Components**



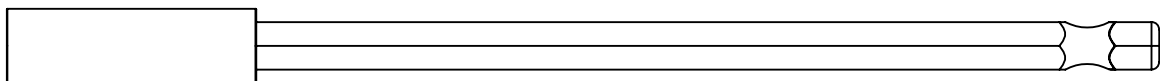
**H101415 SCREW SELF PIERCING #8x1/2 BRN**  
(x10)



**H101480 SCREW SELF TAPPING #9x1 BLK**  
(x12) 1/4 x 1



**H101205 SCREW PWH BLK**  
(x8) 8x3/4



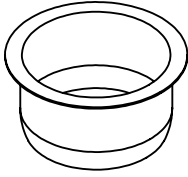
**H101278 6" MAGNETIC DRIVER EXTENSION**  
(x1)



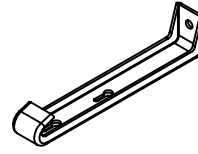
**A6P01531 10 OZ SILICONE TUBE**  
(x1)

# OWNER'S MANUAL - PARTS IDENTIFICATION

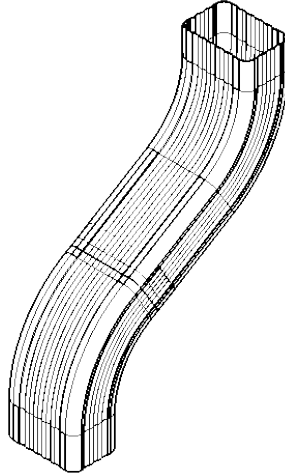
## Hardware Components



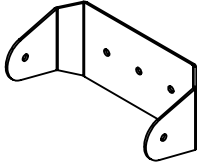
**A4M04761 DOWNSPOUT OUTLET**  
(x2) 1 7/16"x2 7/8" [37x73]



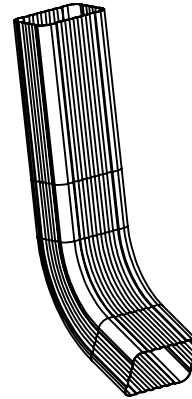
**A4M04759 GUTTER HANGER**  
(x12) 3/4"x1"x4 15/16" [19x25x125]



**A4M05878 DOWNSPOUT OFFSET - 8IN**  
(x2) 3"x9 5/8"x12 9/16" [76x244x319]



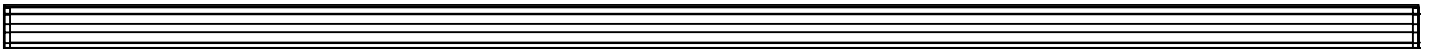
**A4M06338 DOWNSPOUT CLIP**  
(x4) 1 7/16"x1 7/16"x3 1/8" [37x37x79]



**A4M05880 DOWNSPOUT ELBOW - LONG**  
(x2) 3"x10 5/8"x10 11/16" [76x270x271]



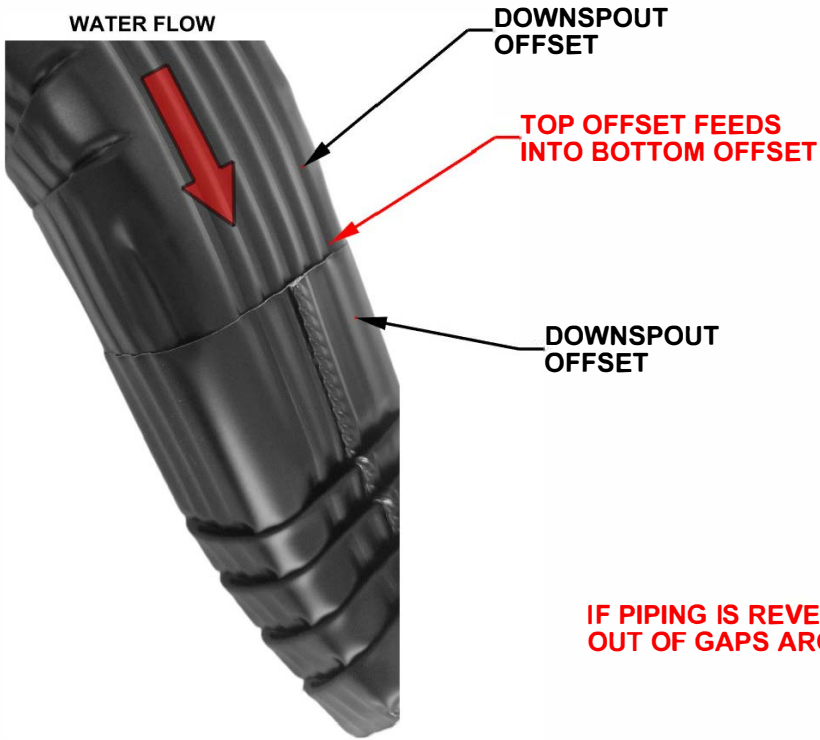
**A4M06340 DOWNSPOUT - 5FT**  
(x2) 2"x3"x60" [51x76x1525]



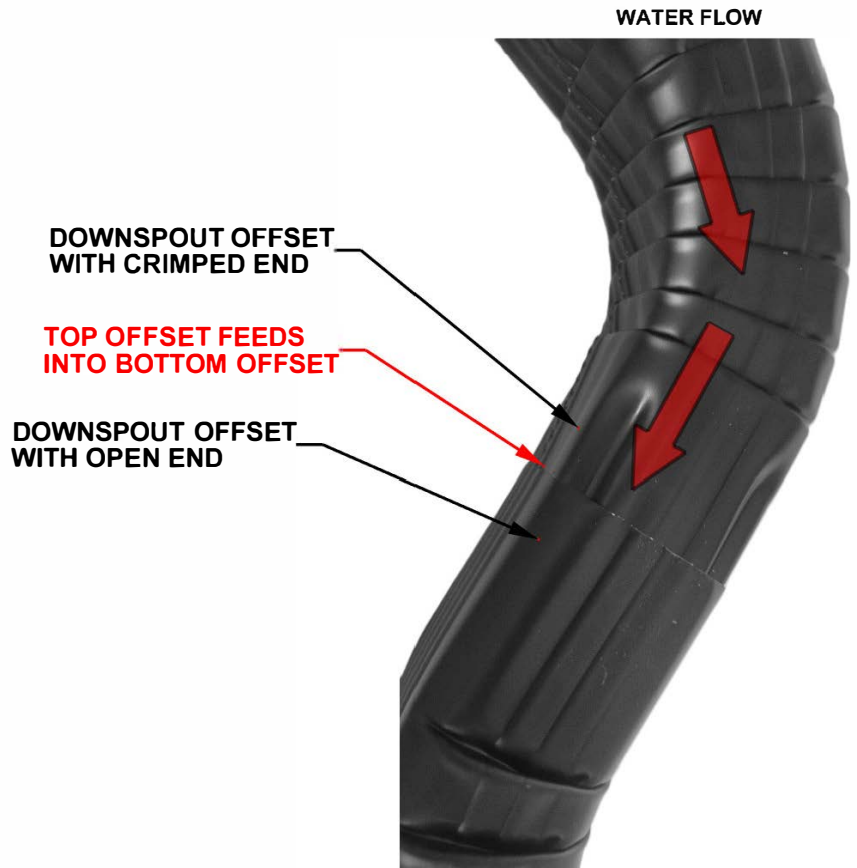
**A4M06837 GUTTER W/ OUTLET**  
(x2) 3 11/16"x5 1/8"x117 7/8" [94x131x2994]

# OFFSET ORIENTATION

TO ENSURE WATER FLOWS PROPERLY, IT IS IMPORTANT TO ORIENT DOWNSPOUT PIPING CORRECTLY. STARTING AT THE TOP, DOWNSPOUTS MUST FEED INTO THE NEXT SECTION AS SHOWN.



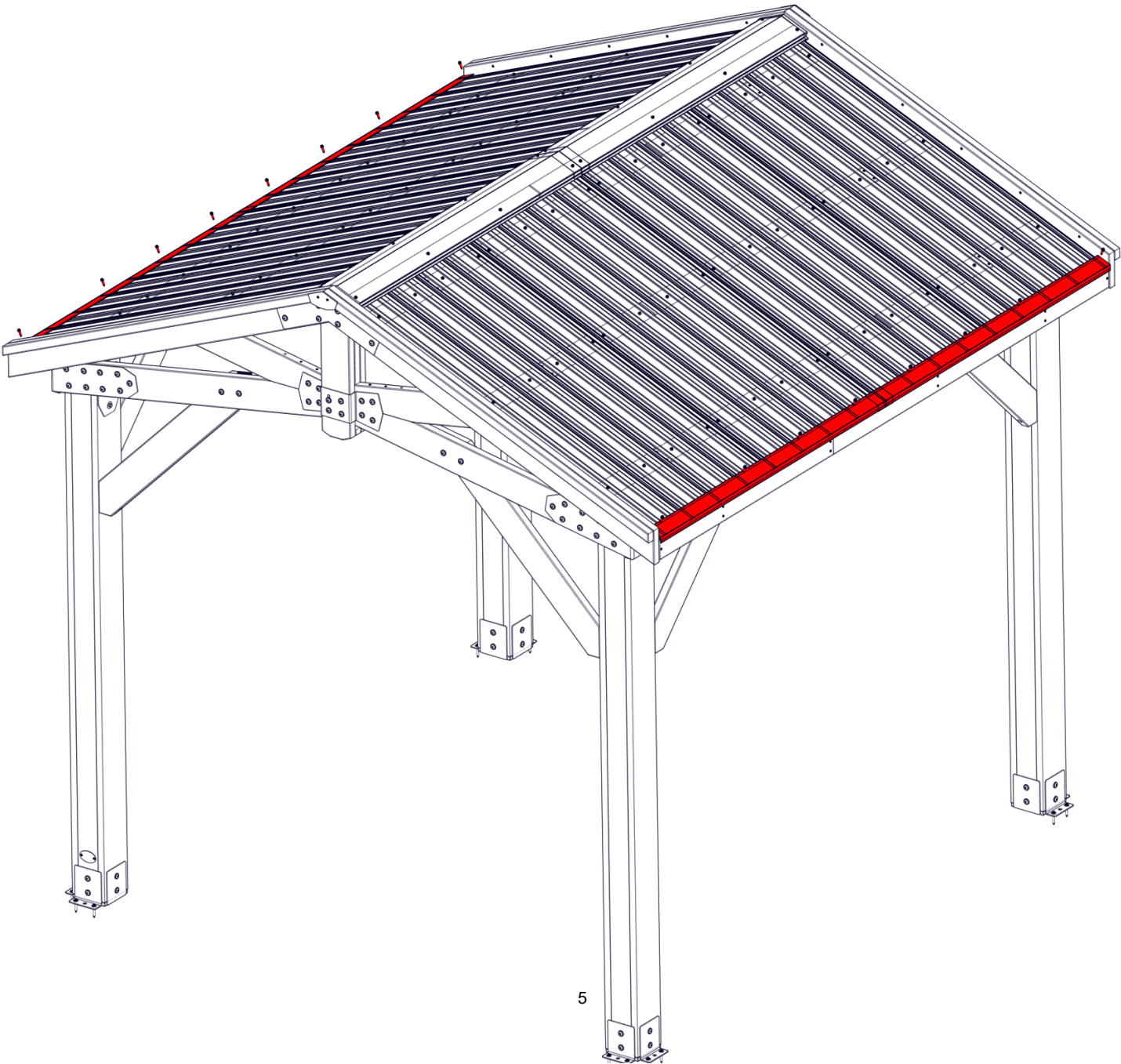
IF PIPING IS REVERSED, WATER WILL RUN OUT OF GAPS AROUND JOINTS



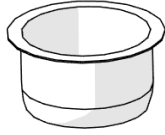
# STEP 1 - EDGE TRIM REMOVAL

QTY	PART NUMBER	DESCRIPTION
16	H100759	SCREW SELF TAPPING 1/4x1

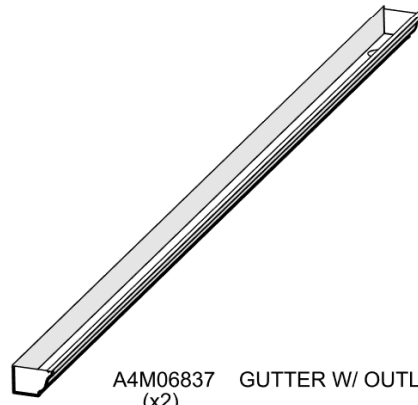
- REMOVED EDGE TRIM AND HARDWARE SHOWN BELOW.
- SET HARDWARE ALLPIECES ASIDE FOR LATER USE.



# STEP 1 - GUTTER ASSEMBLY

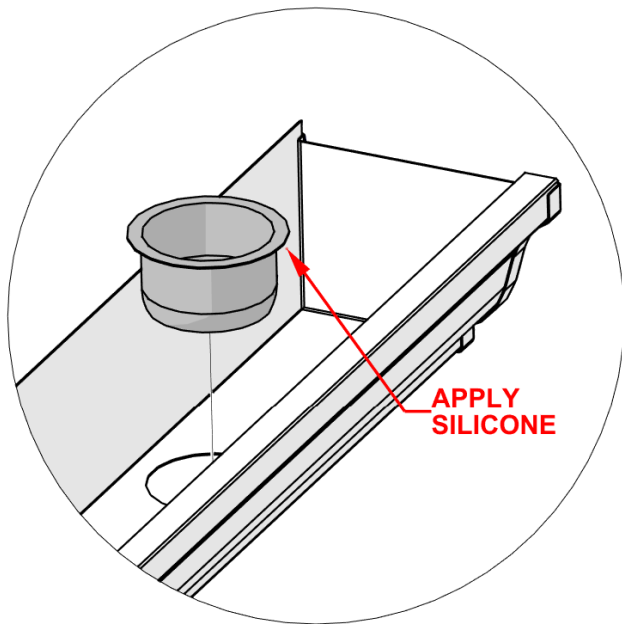


A4M04761 DOWNSPOUT OUTLET  
(x2)



A4M06837 GUTTER W/ OUTLET  
(x2)

- APPLY A BEAD OF SILICONE AROUND THE BOTTOM LIP OF THE DOWNSPOUT OUTLET AND PLACE OUTLET INSIDE GUTTER.
- COMPLETE THIS STEP TWICE.



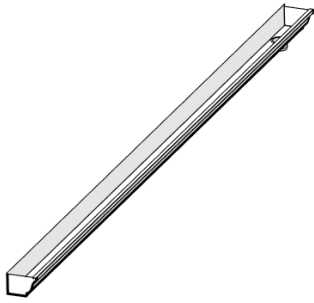
4761 (x1)  
DOWNSPOUT OUTLET

6837 (x1)  
GUTTER W/ OUTLET

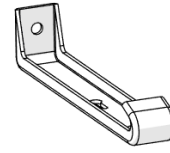
TIP: PRESSURE MAY NEED TO BE APPLIED TO GET OUTLET INTO POSITION. USE A WET FINGER TO FLATTEN SILICONE AFTER INSTALL.

# STEP 3 - GUTTER ASSEMBLY

QTY	PART NUMBER	DESCRIPTION
2	H101480	SCREW SELF TAPPING #9x1 BLK



GUTTER W/ OUTLET ASSEMBLY - STEP 2



A4M04759 GUTTER HANGER (x2)

- SLIDE GUTTER UP TO ROOF LINE.
- FLUSH INSIDE OF GUTTER WITH FASCIA BOARD.
- CENTER GUTTER TO ROOF AND ENSURE DOWNSPOUT IS LINED UP WITH POST.
- ATTACH GUTTER HANGERS APPROXIMATELY 4" [100mm] FROM THE EDGES OF THE GUTTER.
- USE A CLAMP TO HOLD THE GUTTER TO THE BEAM FOR ASSISTANCE.
- PRE-DRILL 1/8" [3mm] PILOT HOLES FOR EASE OF ASSEMBLY.

4759 (x2)  
GUTTER  
HANGER

FLUSH

1480 (x2)  
SCREW - 1"

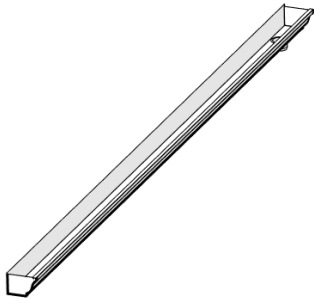
DOWNSPOUT OUTLET  
MUST BE CENTERED  
TO POST

GUTTER  
HANGER

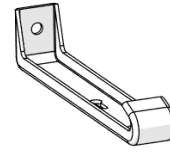
GUTTER W/  
OUTLET  
ASSEMBLY

# STEP 4 - GUTTER ASSEMBLY

QTY	PART NUMBER	DESCRIPTION
2	H101480	SCREW SELF TAPPING #9x1 BLK



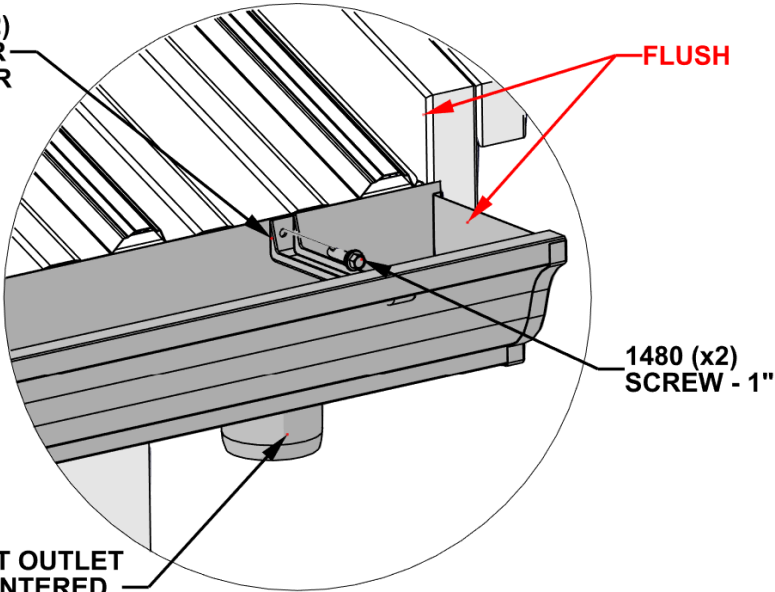
GUTTER W/ OUTLET ASSEMBLY - STEP 2



A4M04759 GUTTER HANGER  
(x2)

- SLIDE GUTTER UP TO ROOF LINE.
- FLUSH INSIDE OF GUTTER WITH FASCIA BOARD.
- CENTER GUTTER TO ROOF AND ENSURE DOWNSPOUT IS LINED UP WITH POST.
- ATTACH GUTTER HANGERS APPROXIMATELY 4" [100mm] FROM THE EDGES OF THE GUTTER.
- USE A CLAMP TO HOLD THE GUTTER TO THE BEAM FOR ASSISTANCE.
- PRE-DRILL 1/8" [3mm] PILOT HOLES FOR EASE OF ASSEMBLY.

4759 (x2)  
GUTTER  
HANGER



1480 (x2)  
SCREW - 1"

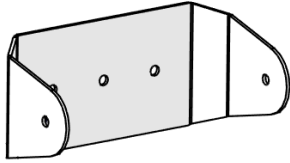
DOWNSPOUT OUTLET  
MUST BE CENTERED  
TO POST

GUTTER  
HANGER

GUTTER W/  
OUTLET  
ASSEMBLY

# STEP 5 - GUTTER ASSEMBLY

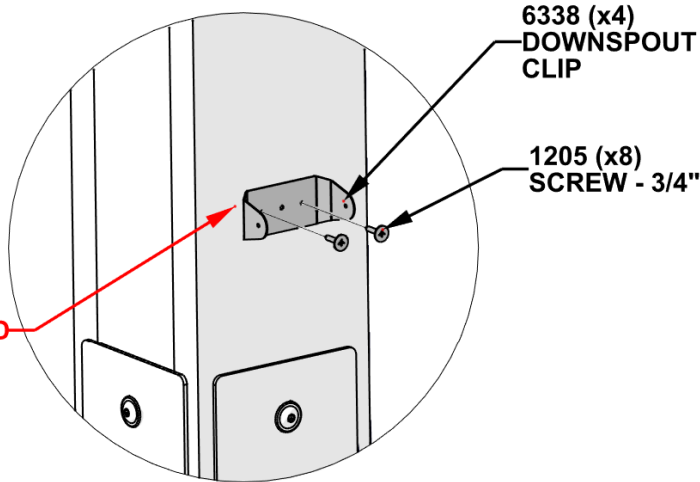
QTY	PART NUMBER	DESCRIPTION
8	H101205	SCREW PWH 8x15x3/4 BLK



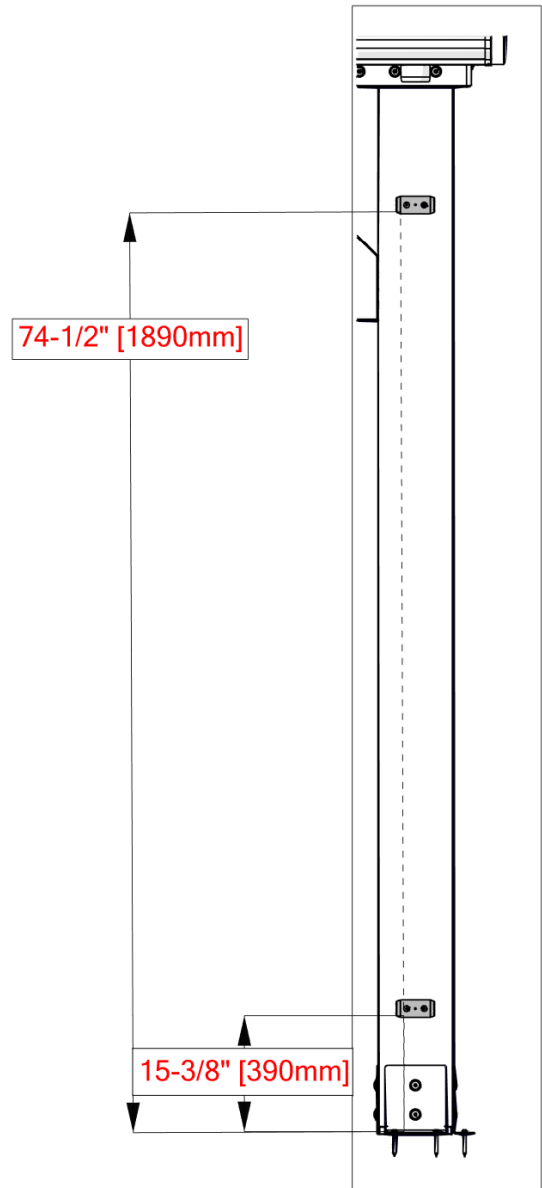
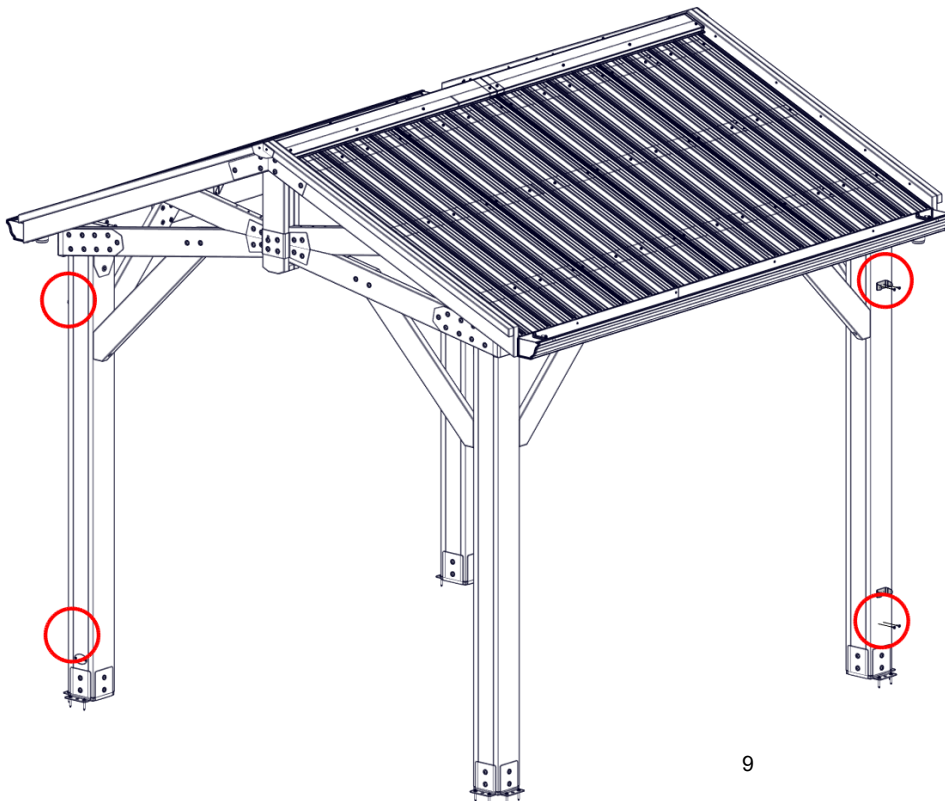
A4M06338 DOWNSPOUT CLIP  
(x4)

- IT IS IMPORTANT TO CENTER 6338 CLIP AND HARDWARE ON POST.
- COMPLETE THIS STEP ON THE 2 CORNERS WITH A DOWNSPOUT OUTLET.

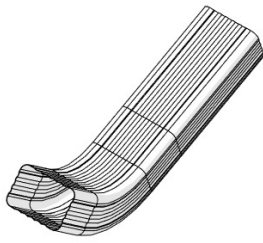
**ATTENTION: IF MOSQUITO NETTING IS ATTACHED, ZIP NETTING TOGETHER TO ENSURE IT CLOSSES COMPLETELY AND IS PULLED TIGHTLY, THEN FASTEN CLIP ON TOP OF NETTING**



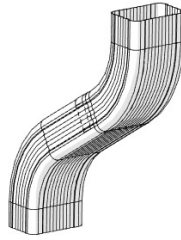
**NETTING MUST BE BETWEEN POST AND DOWNSPOUT CLIP**



# STEP 6 - GUTTER ASSEMBLY



A4M05880 DOWNSPOUT ELBOW - LONG  
(x2)

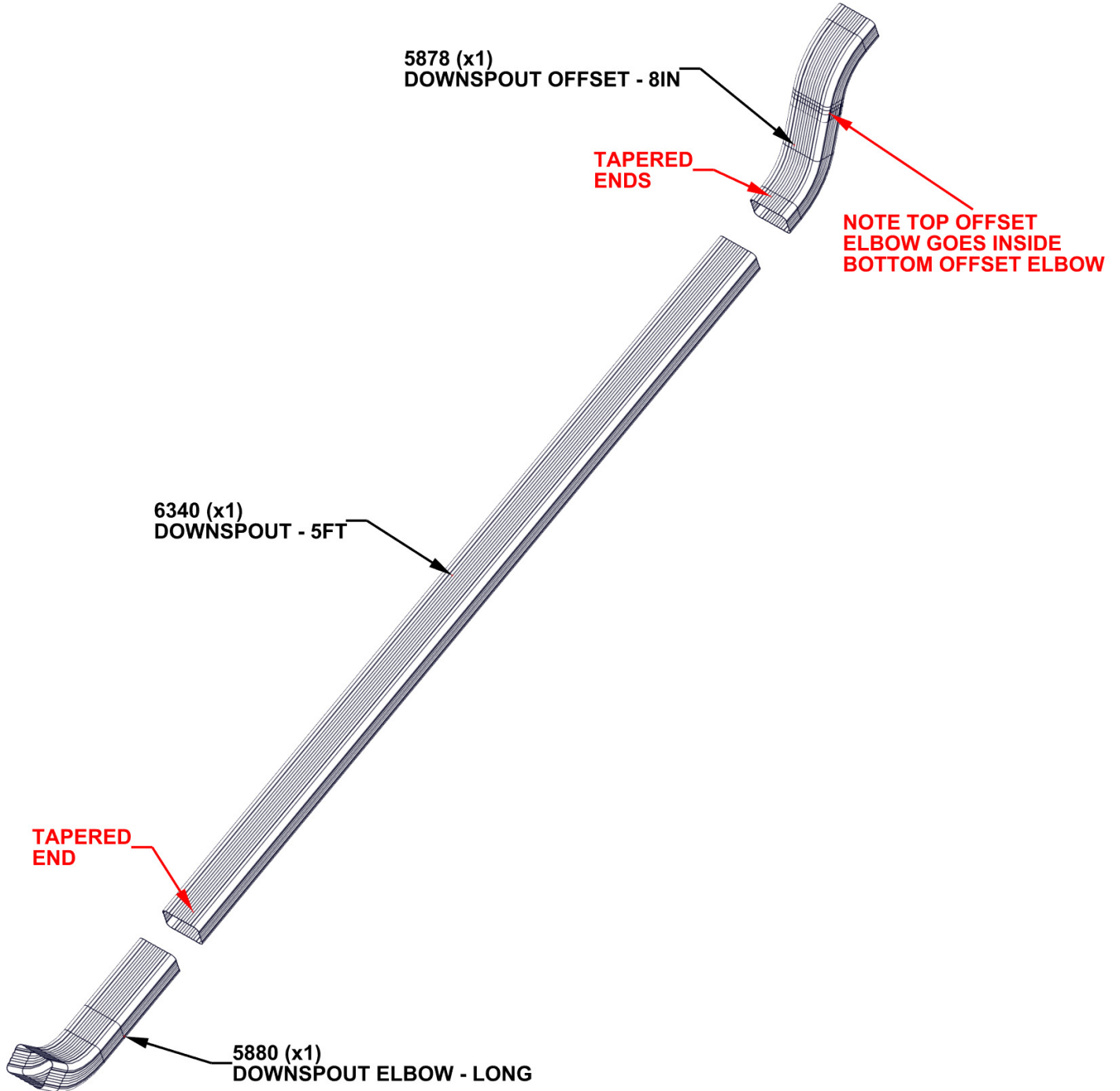


A4M05878 DOWNSPOUT OFFSET - 8"  
(x2)



A4M06340 DOWNSPOUT - 5FT  
(x2)

- INSERT TAPERED ENDS INTO LARGER ENDS AS SHOWN.
- NOTE ORIENTATION OF DOWNSPOUT OFFSET. SEE DOWNSPOUT OFFSET PAGE FOR DETAIL.
- COMPLETE THIS STEP TWICE.



# STEP 7 - GUTTER ASSEMBLY

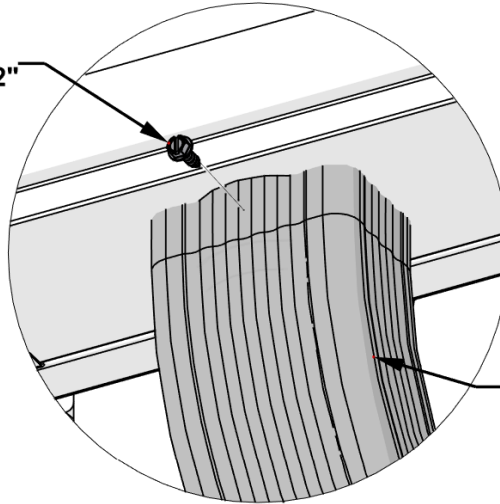
QTY	PART NUMBER	DESCRIPTION
2	H101415	SCREW SELF PIERCING #8x1/2 BRN



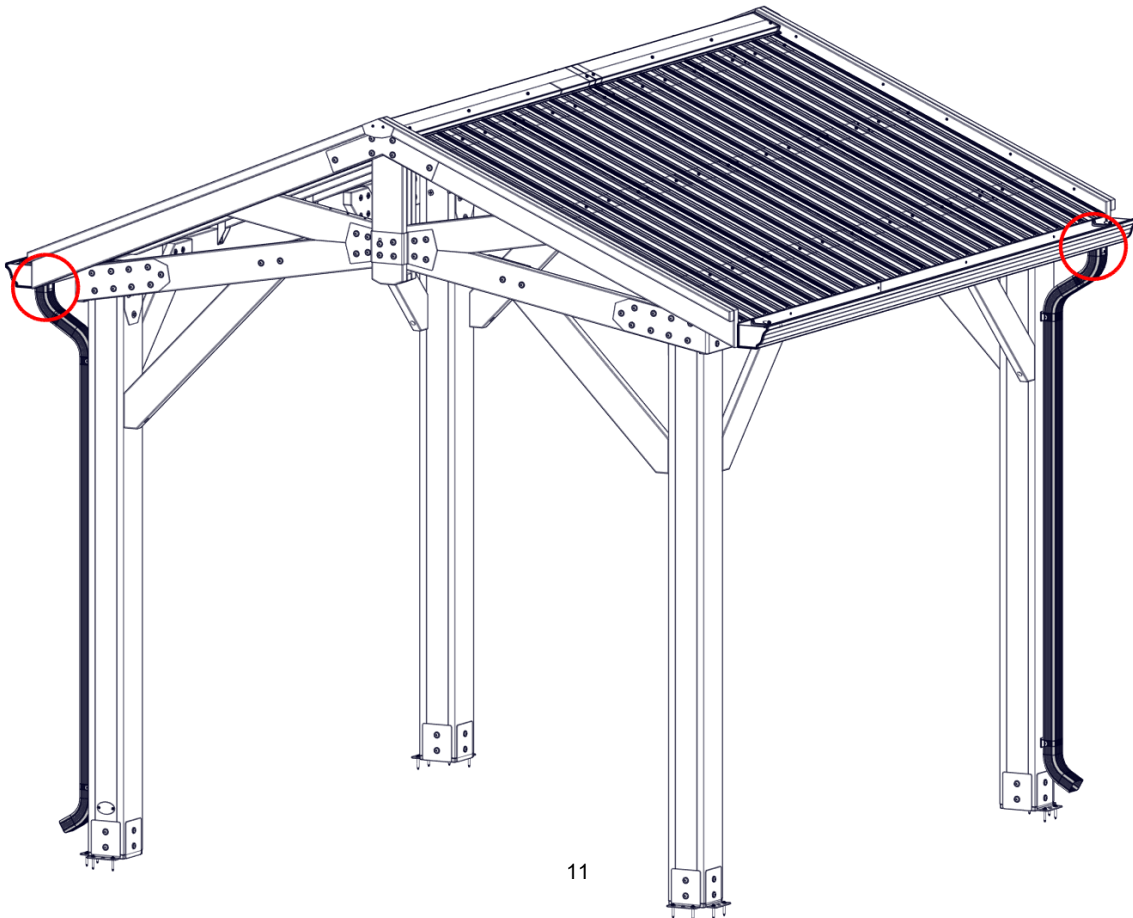
DOWNSPOUT ASSEMBLY - STEP 6

- SLIDE DOWNSPOUT ASSEMBLY OVER GUTTER OUTLET AND ATTACH WITH HARDWARE PROVIDED.
- NOTE GUTTER WILL NOT EXTEND TO GROUND, THERE WILL BE FLOATING SPACE.
- COMPLETE THIS AT BOTH CORNERS WITH DOWNSPOUT OUTLET.

1415 (x2)  
SCREW - 1/2"



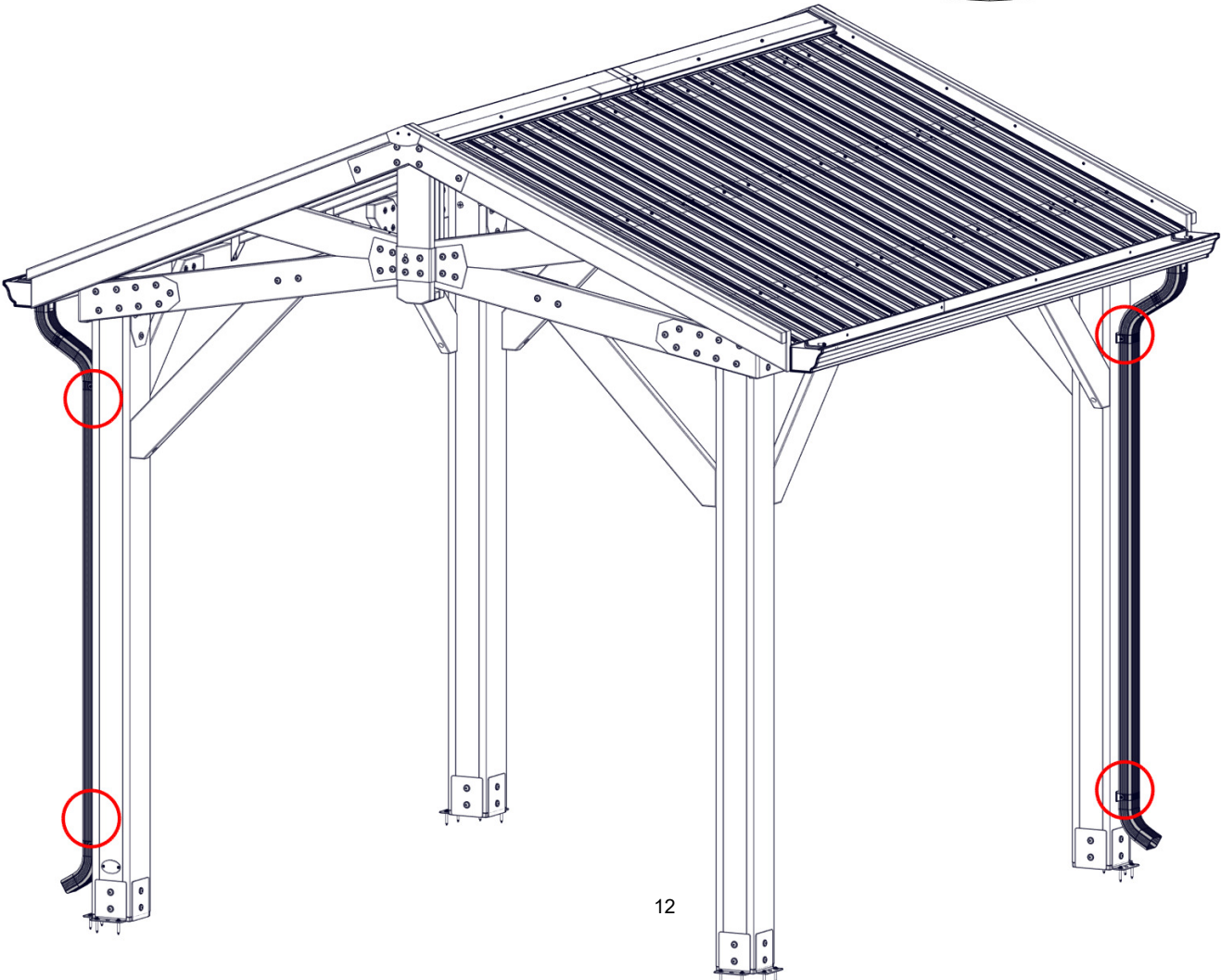
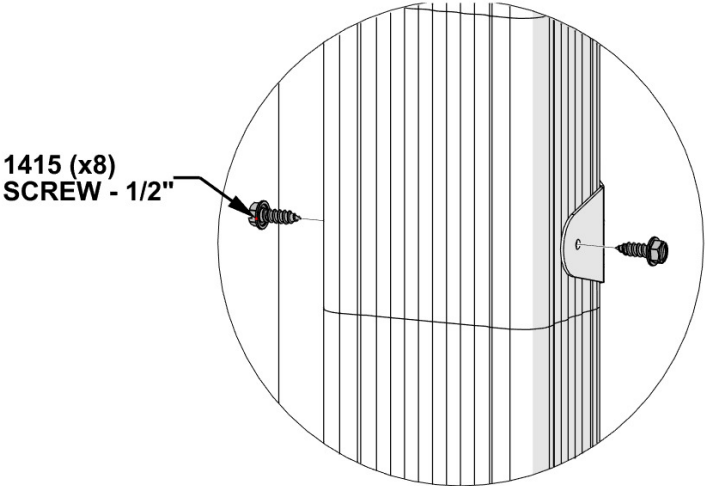
DOWNSPOUT  
ASSEMBLY



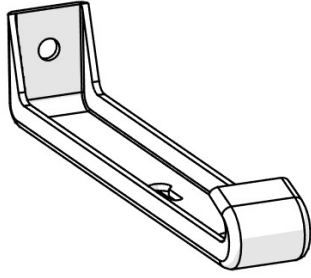
# STEP 8 - GUTTER ASSEMBLY

QTY	PART NUMBER	DESCRIPTION
8	H101415	SCREW SELF PIERCING #8x1/2 BRN

- ATTACH DOWNSPOUT CLIPS TO DOWNSPOUTS.



# STEP 9A - GUTTER ASSEMBLY



A4M04759 GUTTER HANGER  
(x8)

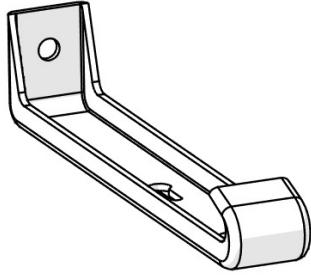
QTY	PART NUMBER	DESCRIPTION
8	H101480	SCREW SELF TAPPING #9x1 BLK

- ATTACH REMAINING GUTTER HANGERS AS SHOWN.
- SPACE HANGERS APPROXIMATELY 20-3/8" [525mm] APART.

**USE THESE MEASUREMENTS FOR THE 9240520-10X10 NORWOOD GAZEBO GUTTER KIT**



# STEP 9B - GUTTER ASSEMBLY



A4M04759 GUTTER HANGER  
(x8)

QTY	PART NUMBER	DESCRIPTION
8	H101480	SCREW SELF TAPPING #9x1 BLK

- ATTACH REMAINING GUTTER HANGERS AS SHOWN.
- SPACE HANGERS APPROXIMATELY 21-1/8" [536mm] APART.

**USE THESE MEASUREMENTS FOR THE 9240513-12X10 NORWOOD GAZEBO GUTTER KIT**



# STEP 10 - RE-INSTALL EDGE TRIM

QTY	PART NUMBER	DESCRIPTION
16	H100759	SCREW SELF TAPPING 1/4x1

- RE-INSTALL EDGE TRIM AND HARDWARE SHOWN BELOW.
- RE-USE THE EXISTING HOLES TO AVOID LEAKS.

