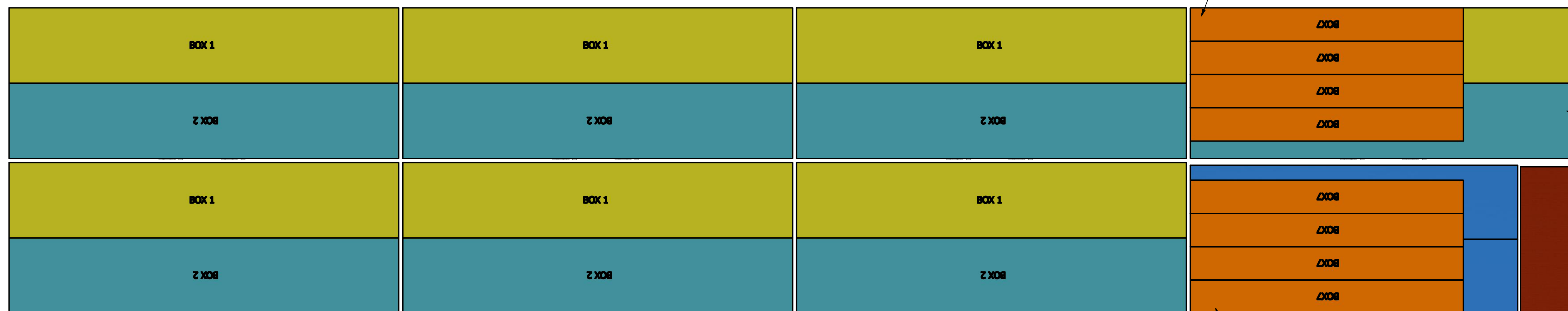


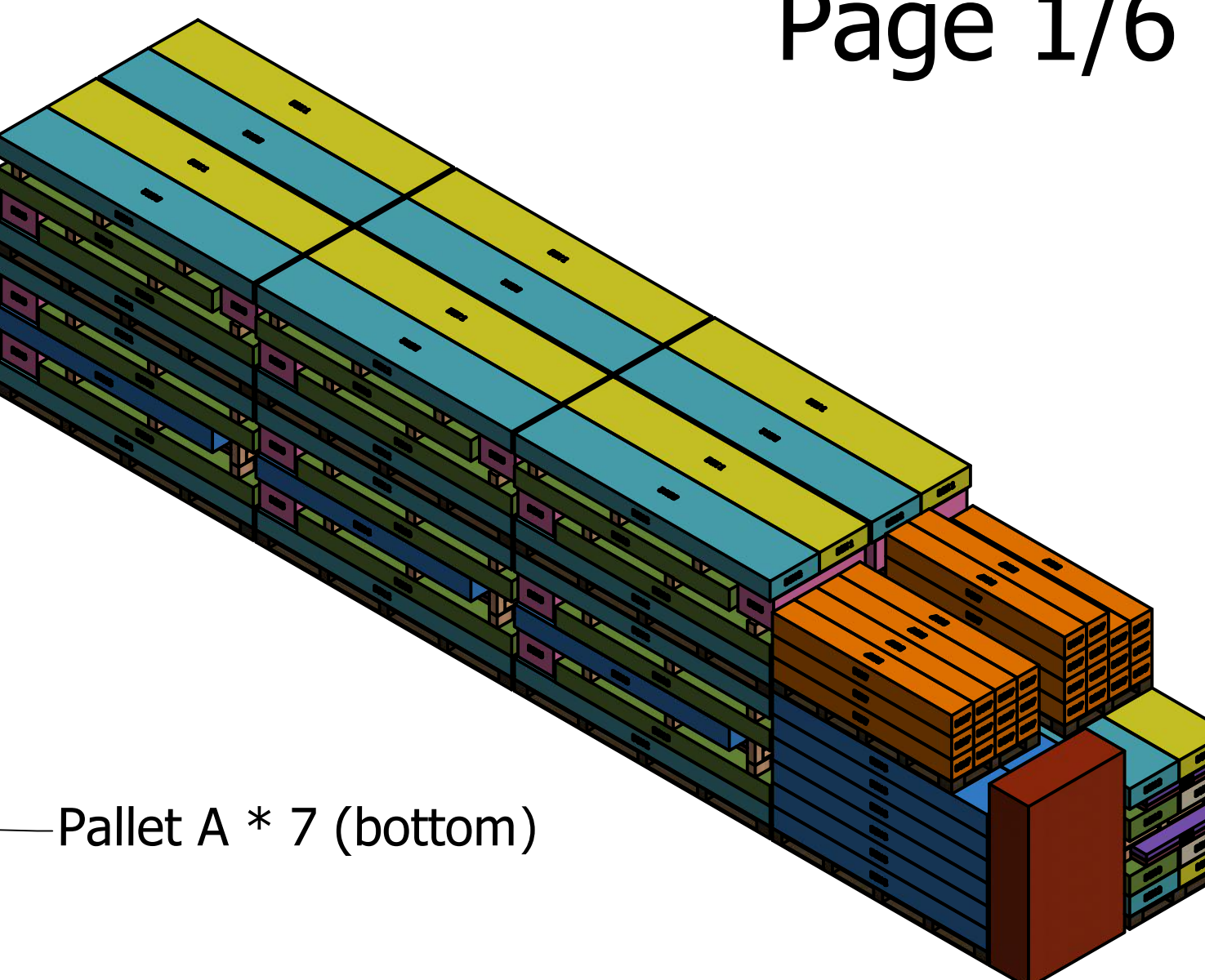
2506084 19x14 LODGE GAZEBO Container Loading Diagram

(1 set=9 boxes, 26 units/40HQ, 16 pallets/ 40HQ, Gross Weight:19200kg)

Top View

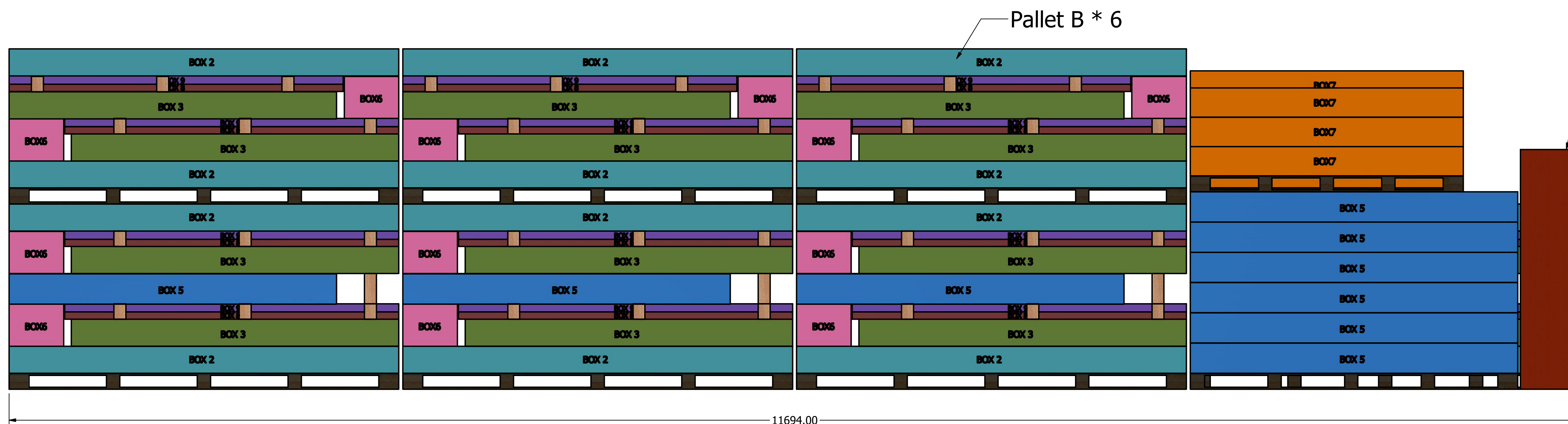


Pallet E * 1 (Top)
需要与下托使用塑钢带绑在一起。



Pallet A * 7 (bottom)

Side View

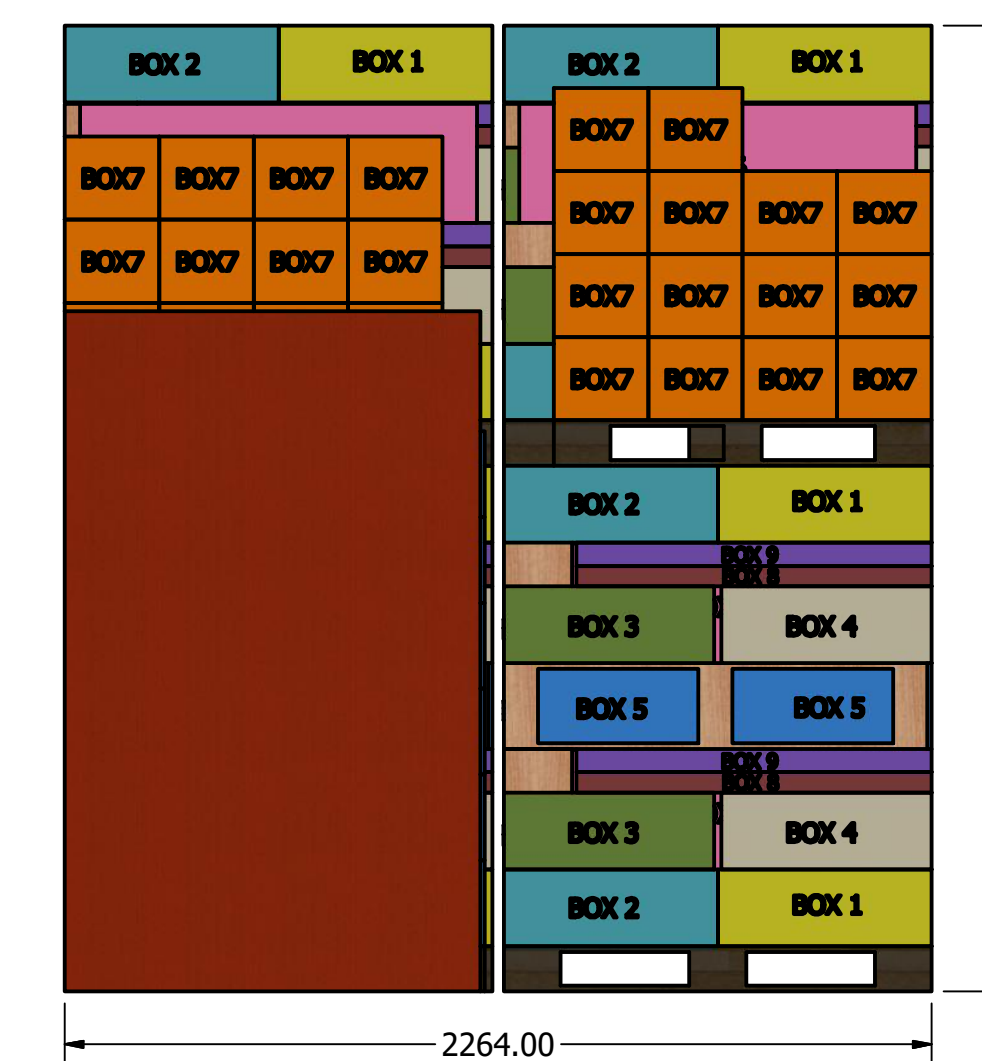


Pallet B * 6

Pallet C * 1 (Bottom)
Pallet D * 1 (Top)
上下托使用塑钢带绑在一起,
避免运输过程中上托移动

End View

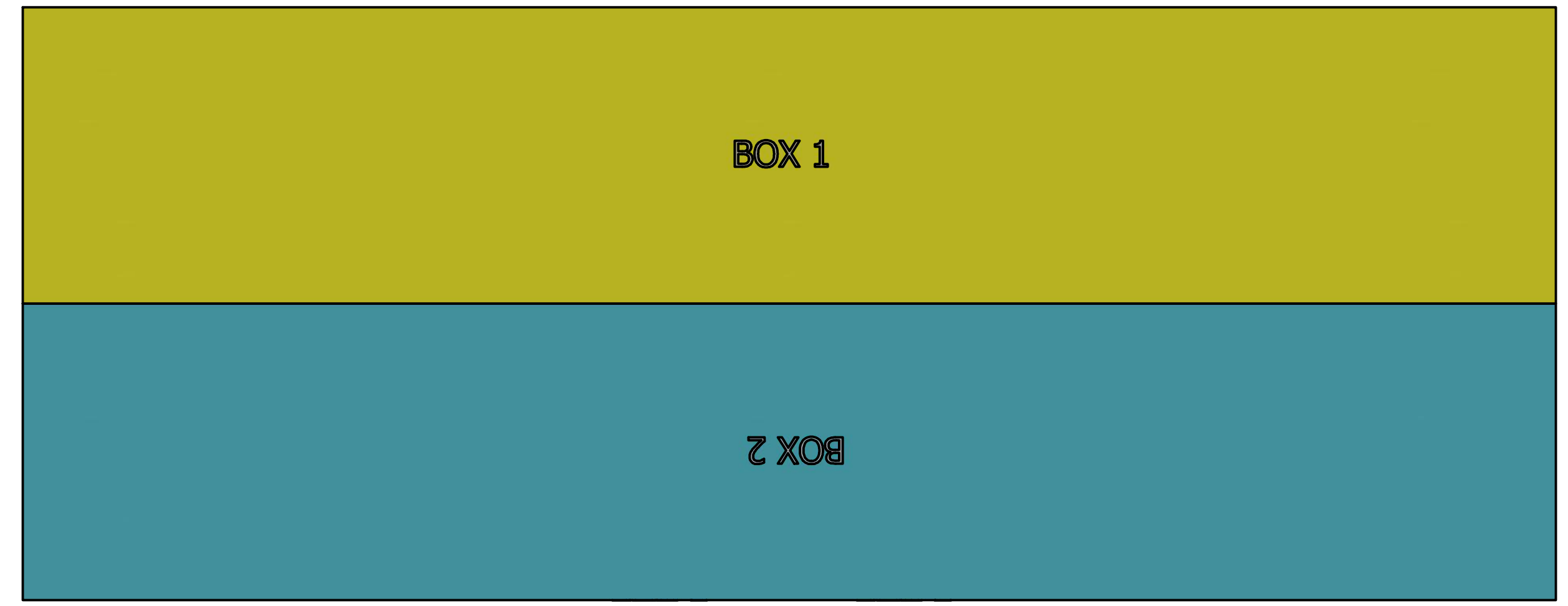
胶合板托盘框架:
Plywood Pallet Frame:
1100mm*450mm*1800mm



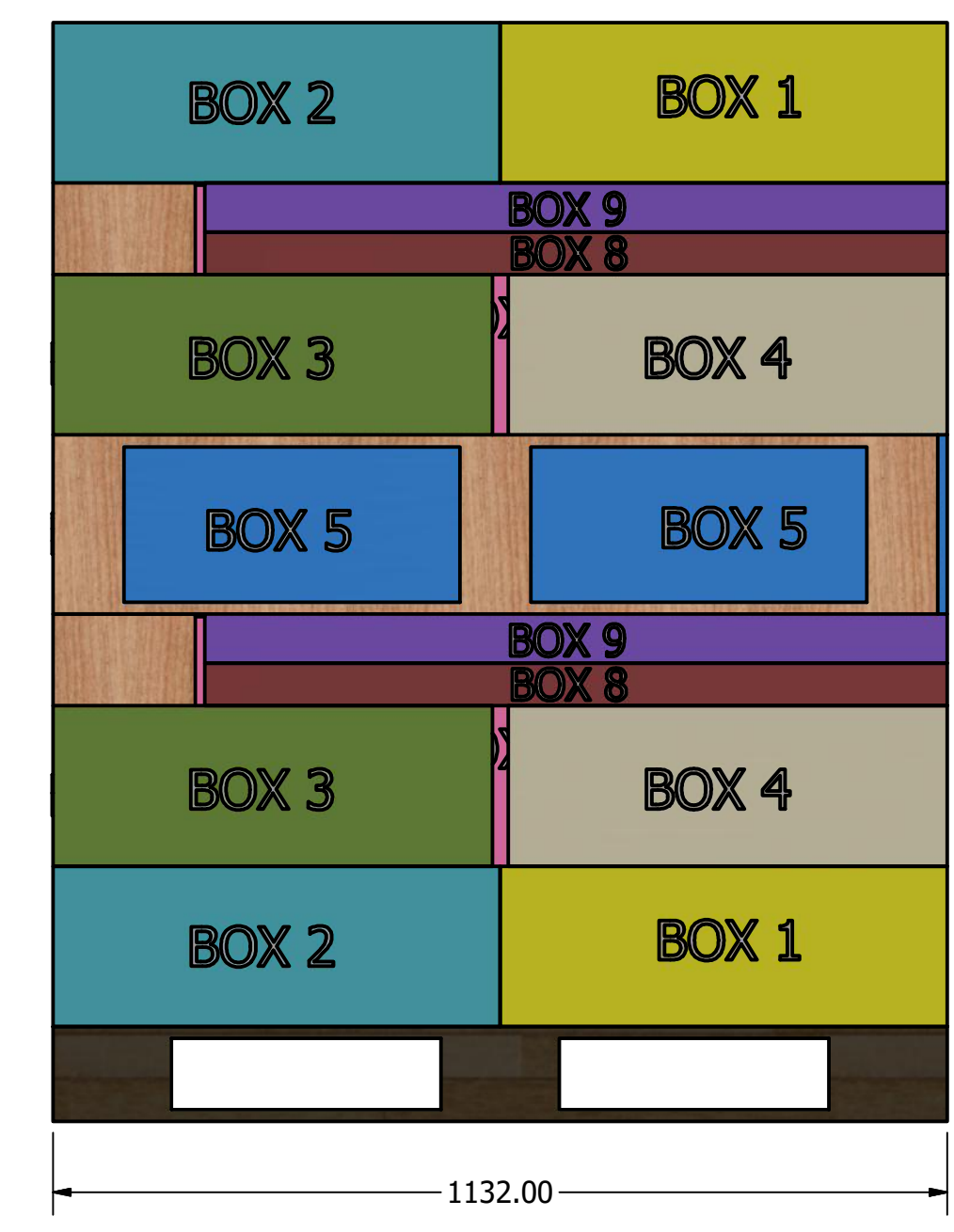
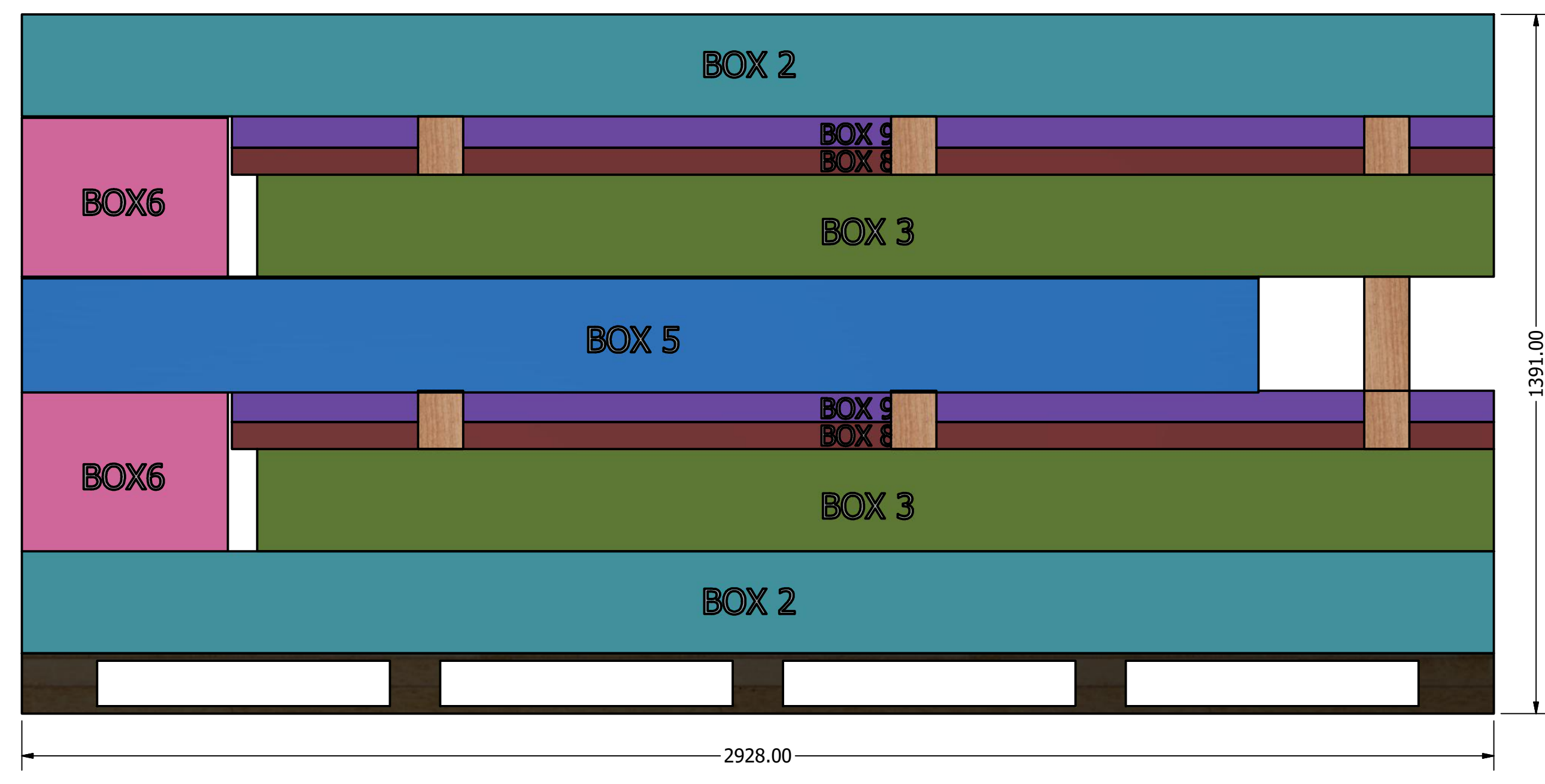
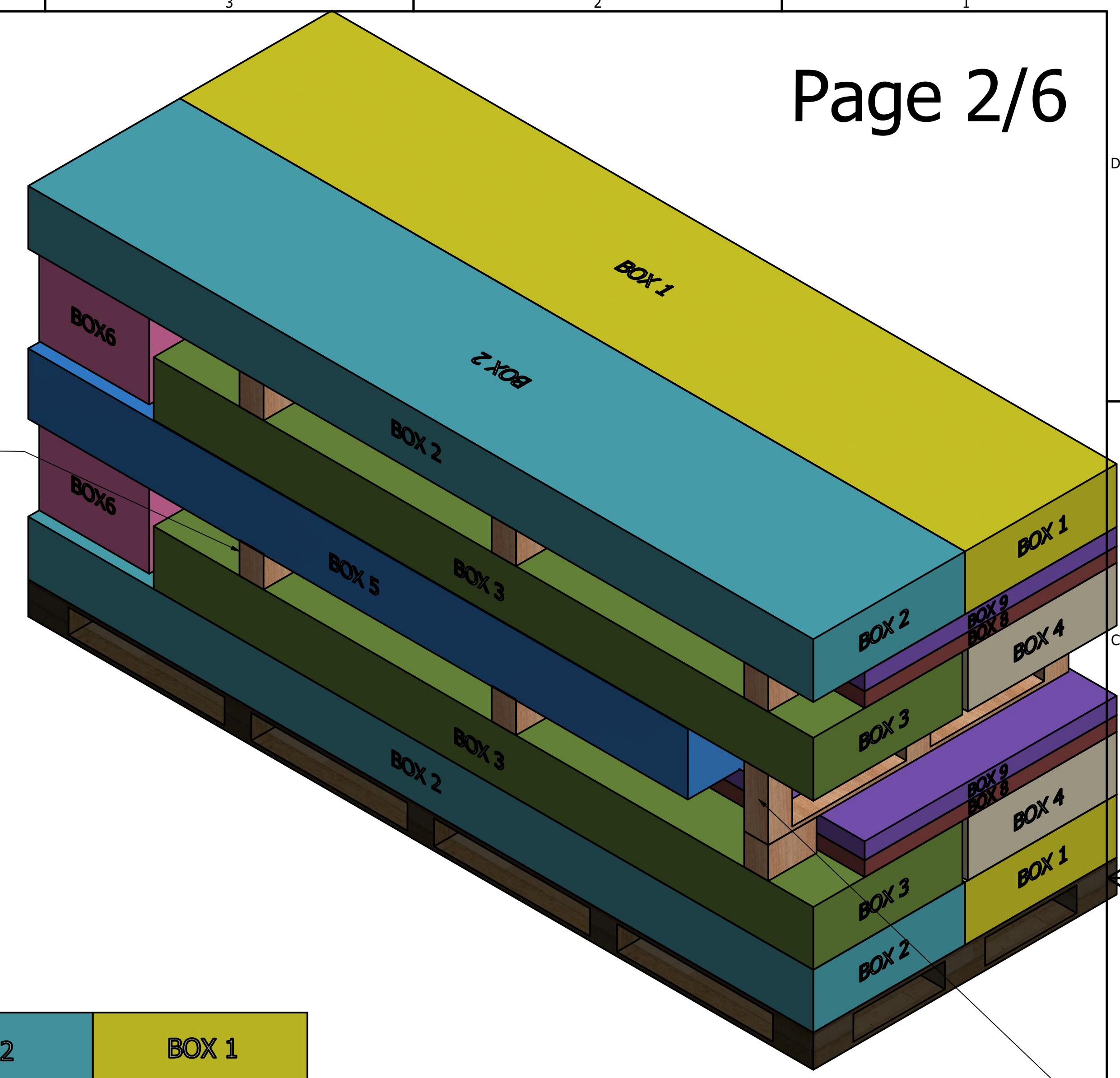
DRAWN Rudy		TITLE		
CHECKED				
QA				
MFG				
APPROVED				
		SIZE D	DWG NO	REV
		SCALE 1 : 20	SHEET 1 OF 1	

Pallet A

(Wood kit *2)



Plywood block * 6
 胶合板块*6
 190mm*90mm*116mm

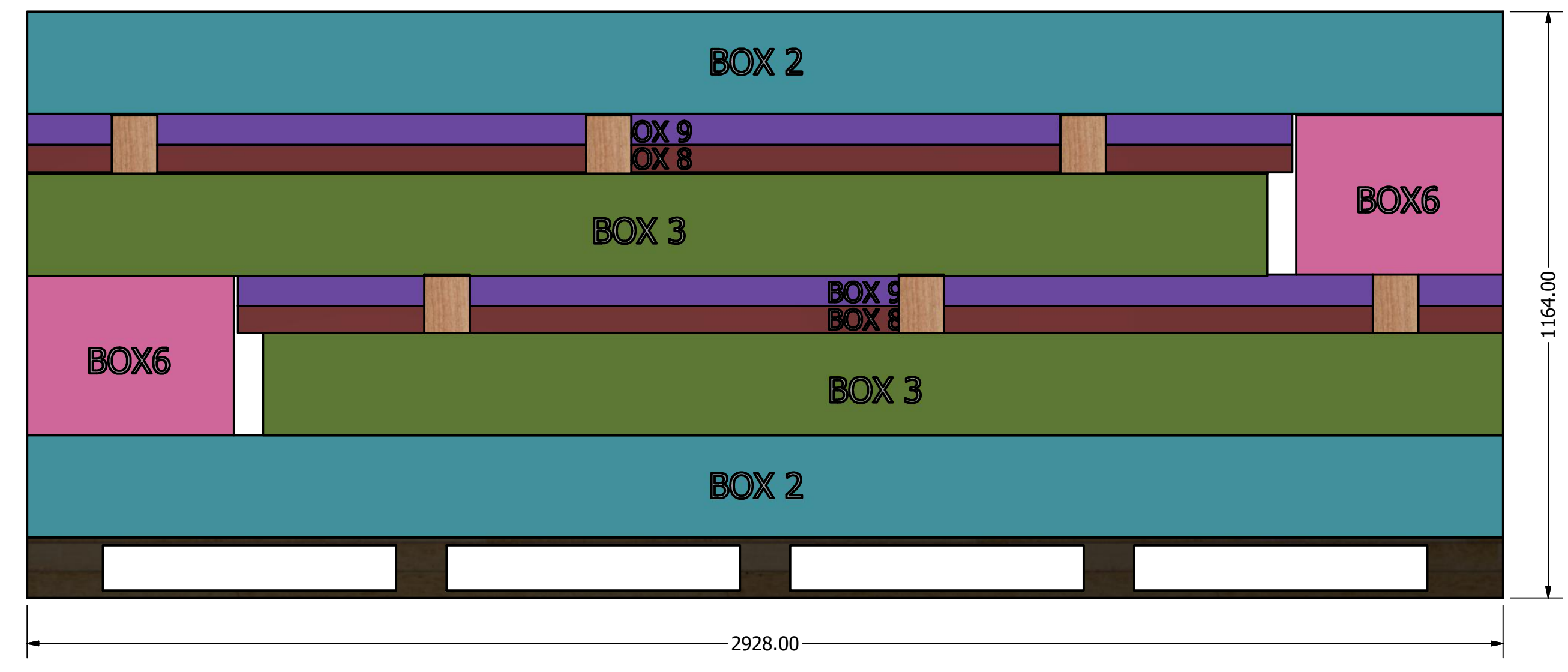
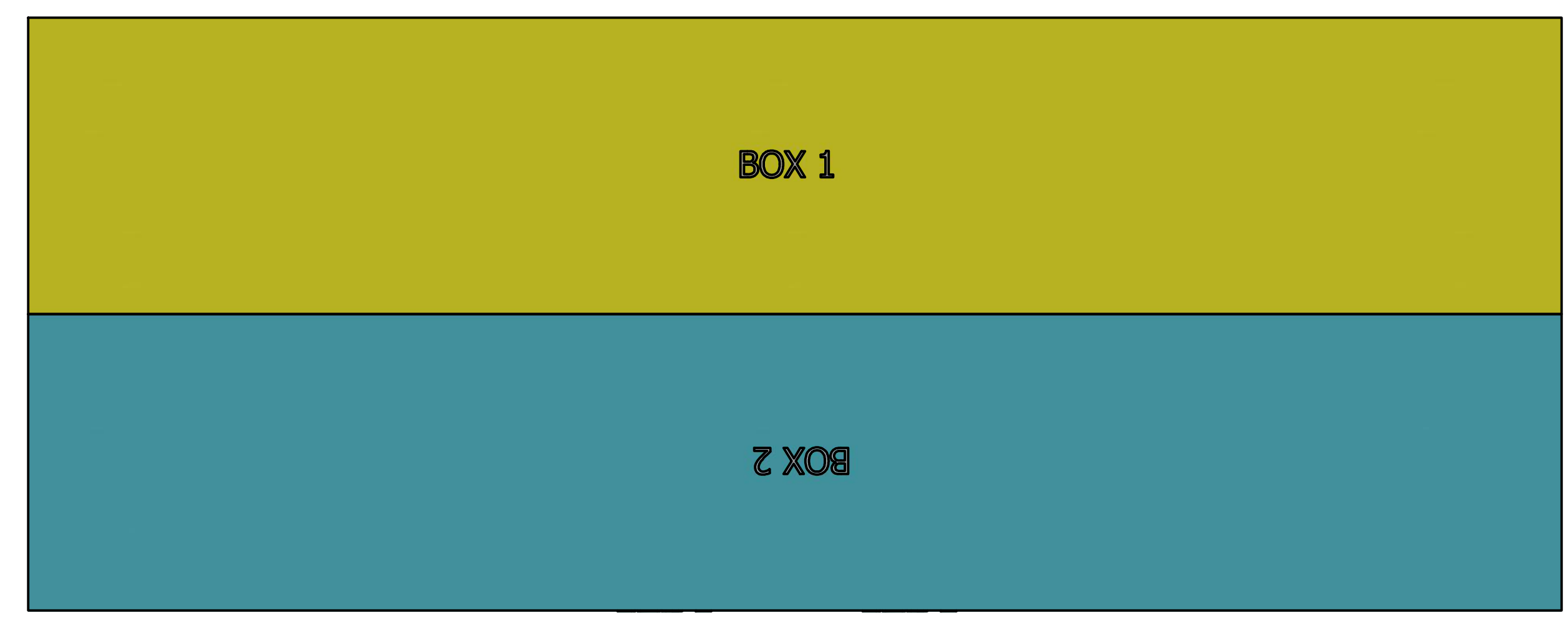


Plywood block * 1 胶合板块*1
 1120mm*90mm*227mm
 (高度需根据BOX5盒子实际高度进行微调,
 且需要用钉子和底部的小胶合板块用钉子连接在一起)

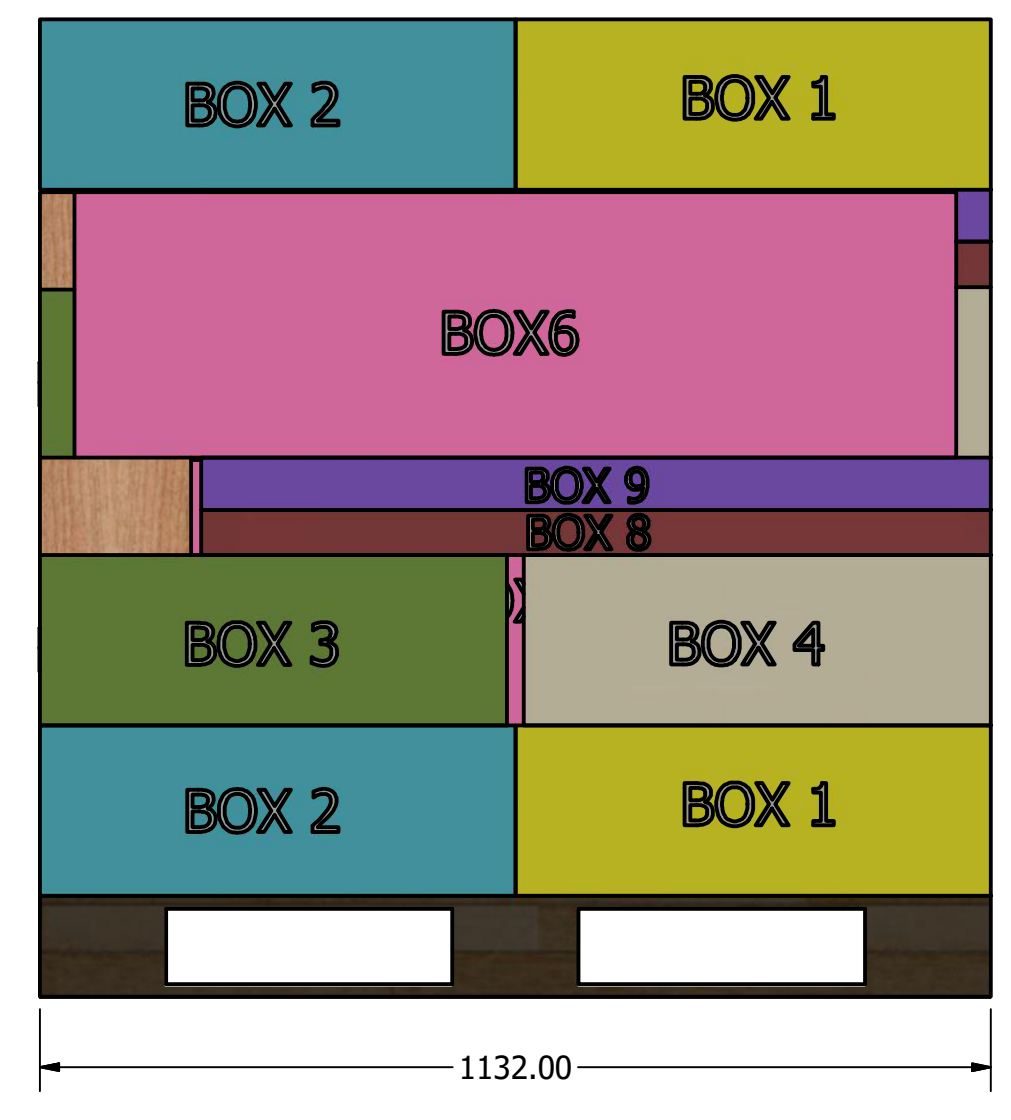
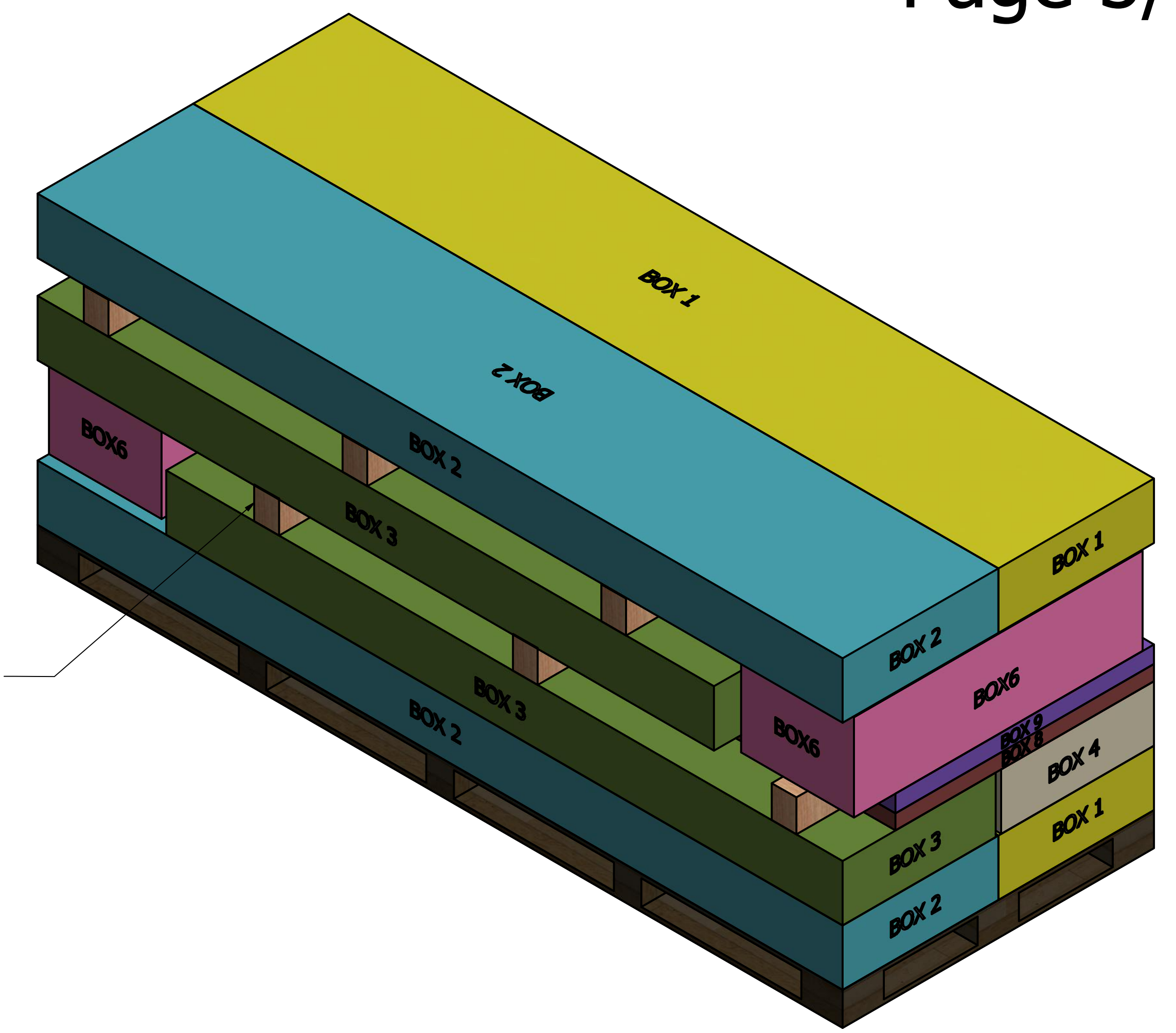
DRAWN Rudy		TITLE	
CHECKED			
QA			
MFG			
APPROVED			
		SIZE D	DWG NO Pallet A
		SCALE 1 / 9	REV
		SHEET 1 OF 1	

Pallet B

(BOX1,BOX2,BOX3,BOX4,BOX6,BOX8,BOX9--- *2)



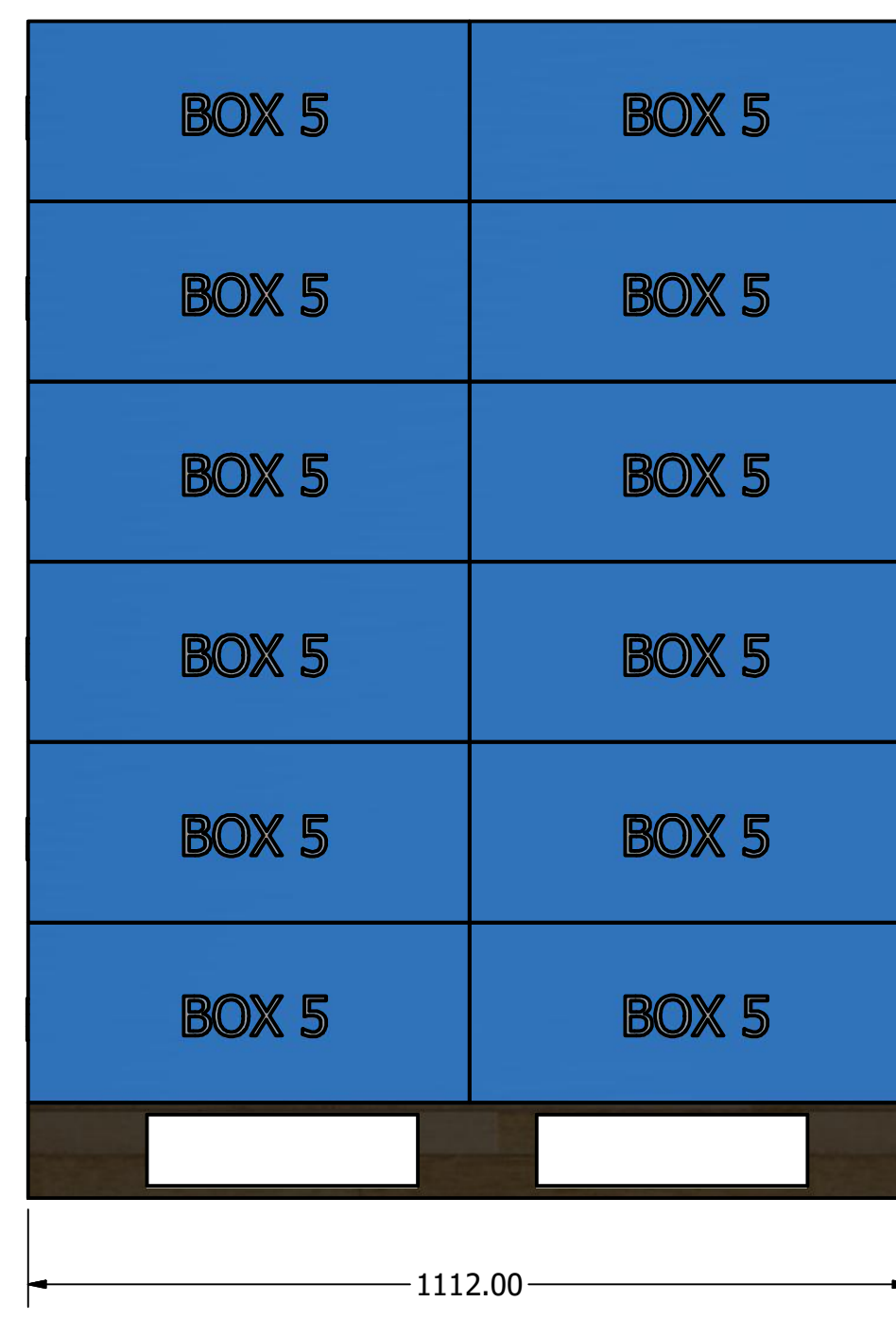
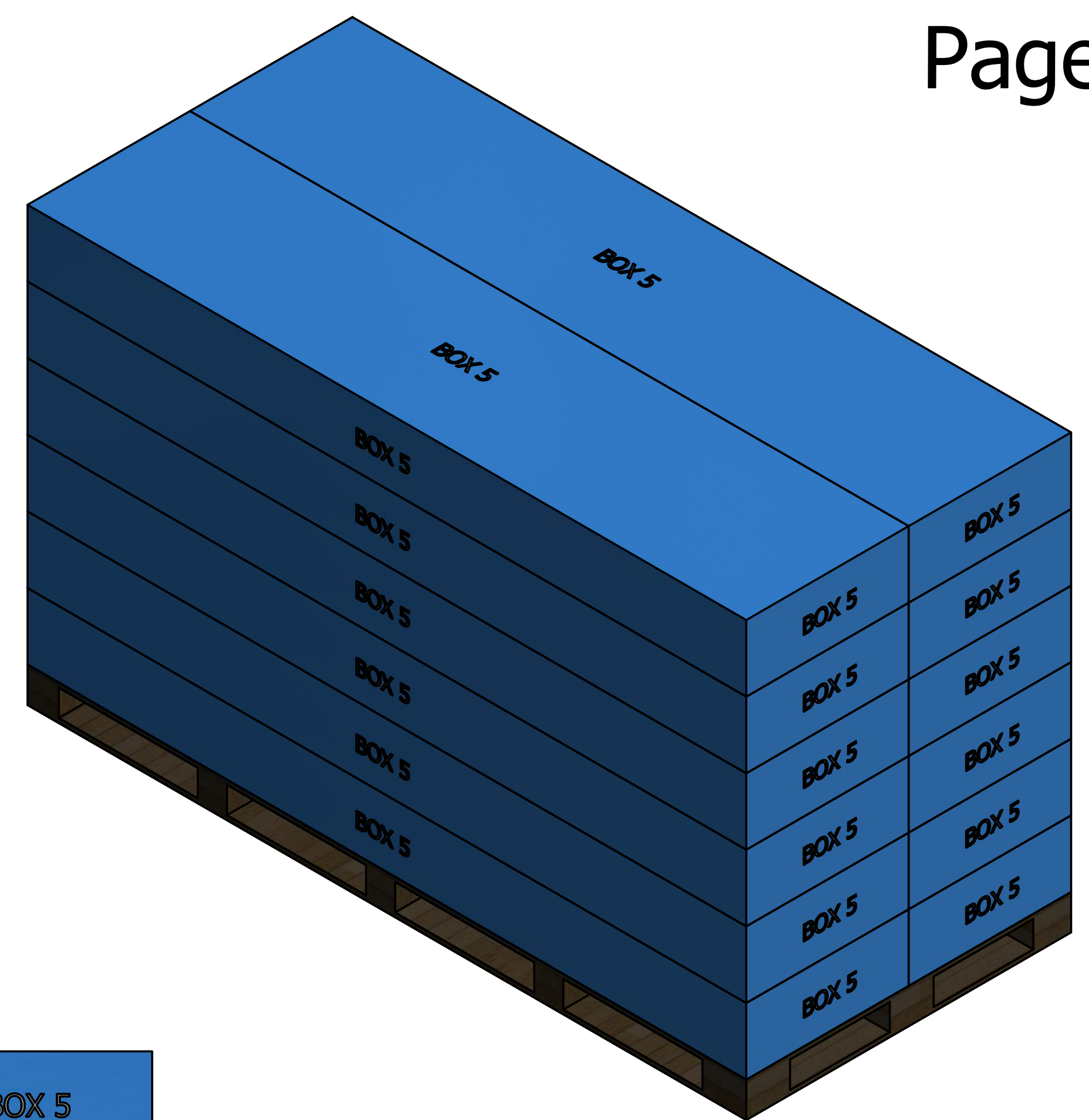
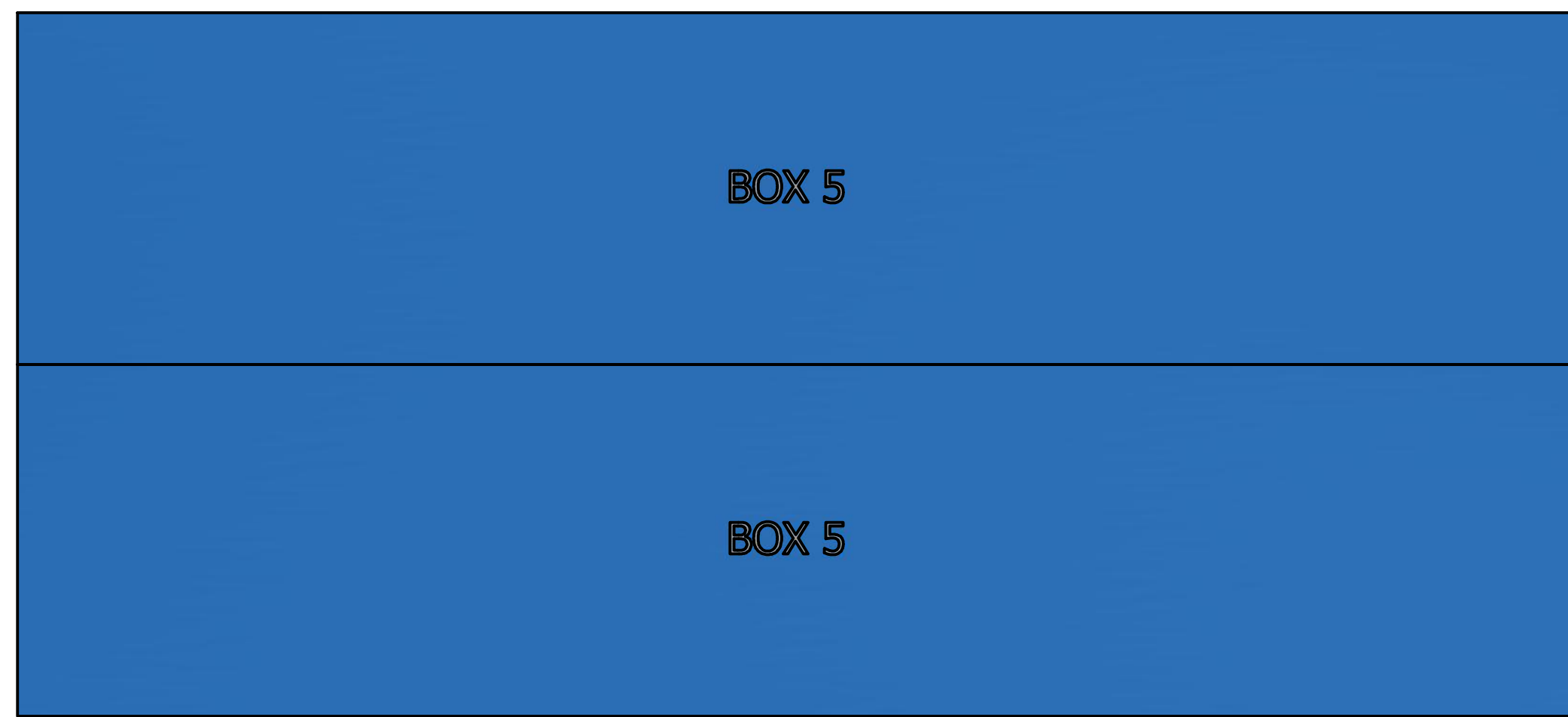
Plywood block * 6
 胶合板块*6
 190mm*90mm*116mm



DRAWN Rudy		TITLE	
CHECKED			
QA			
MFG			
APPROVED			
		SIZE D	DWG NO Pallet A
		SCALE 1 : 9	REV
		SHEET 1 OF 1	

Pallet C

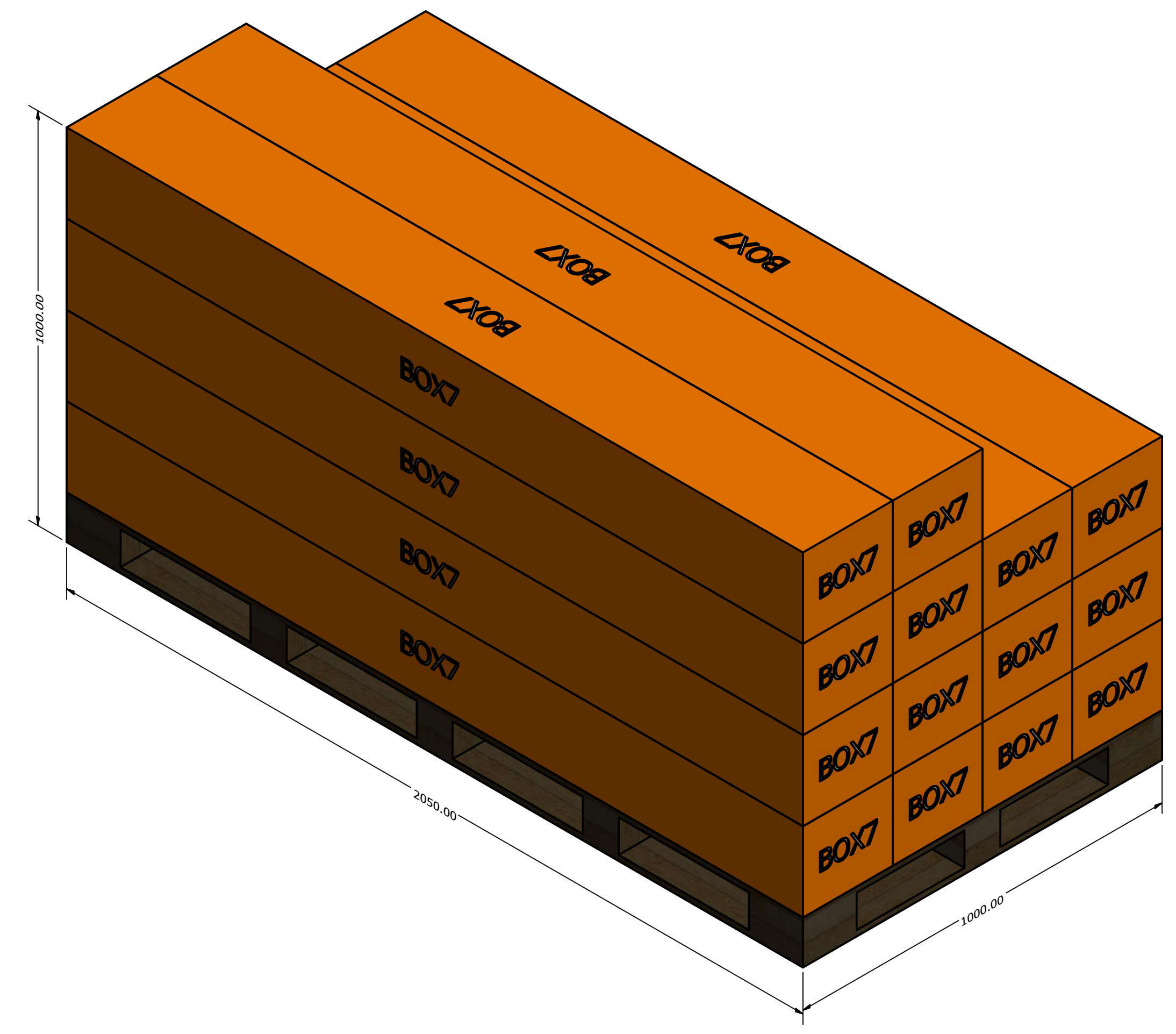
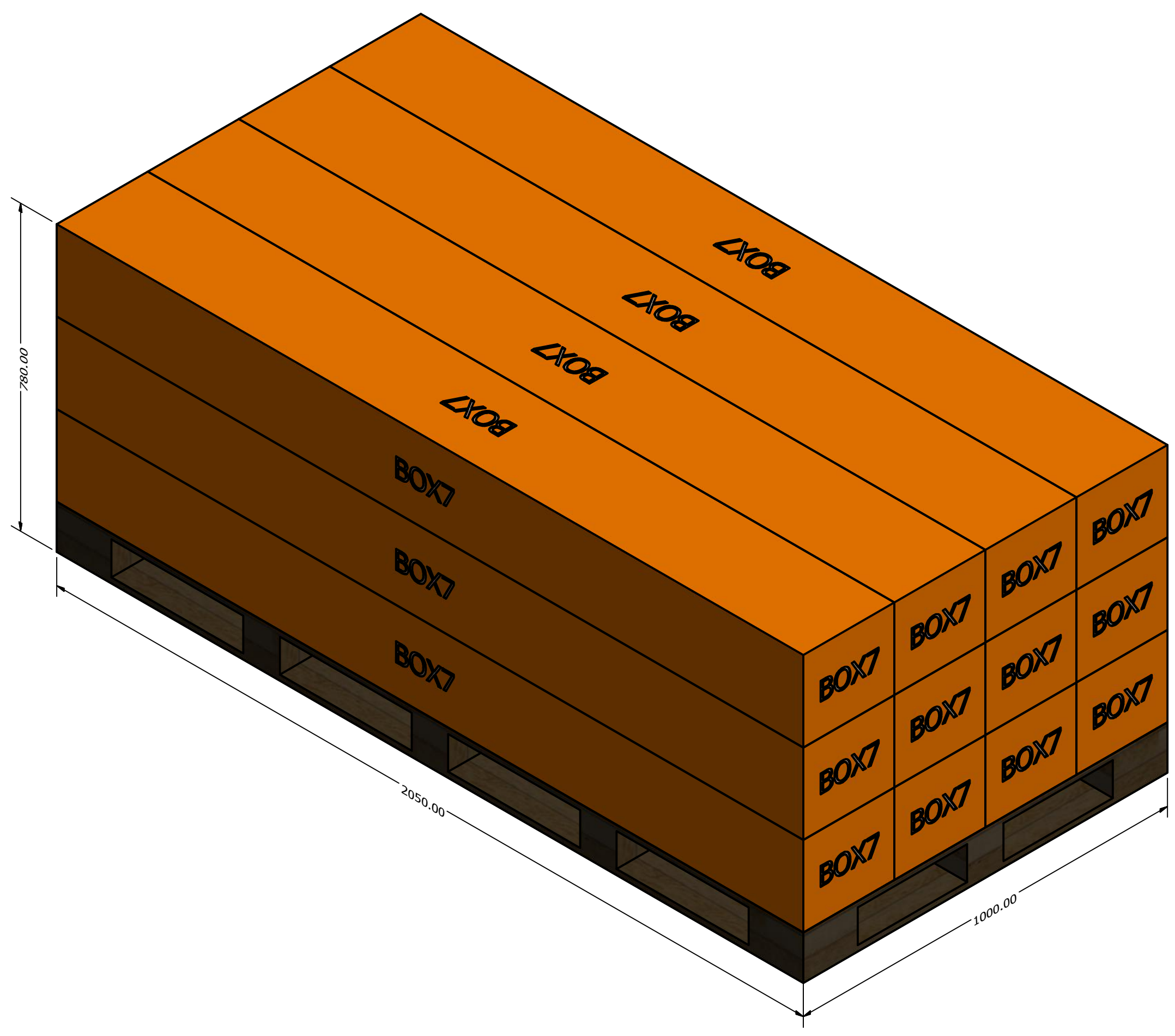
(BOX5 *12)



DRAWN Rudy		TITLE		
CHECKED				
QA				
MFG				
APPROVED		SIZE D	DWG NO Pallet A	REV
		SCALE 1: 9	SHEET 1 OF 1	

Pallet D
(BOX7*12)

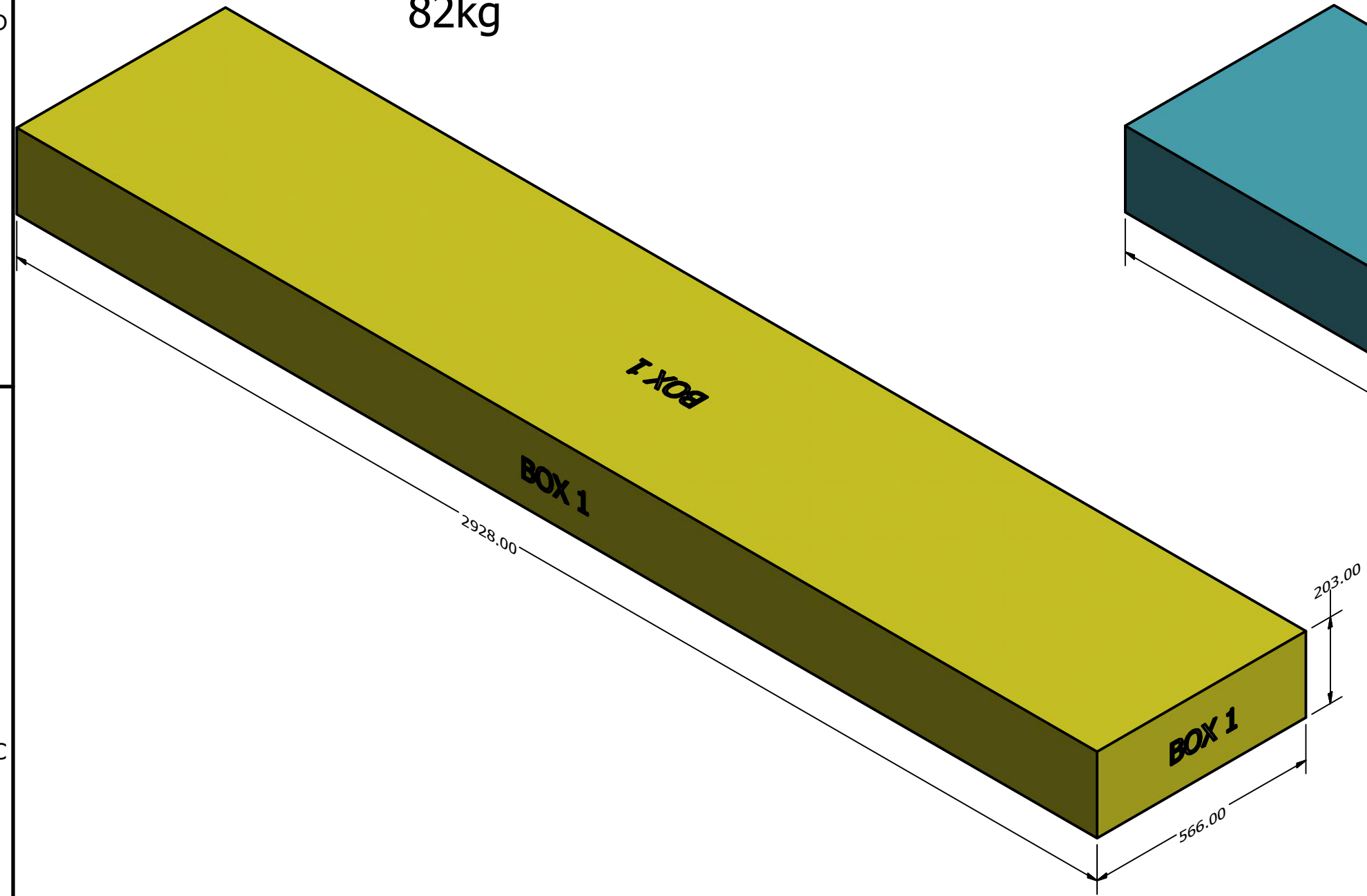
Pallet E
(BOX7*14)



DRAWN Rudy		TITLE		
CHECKED				
QA				
MFG				
APPROVED		SIZE D	DWG NO Pallet A	REV
SCALE 1 : 8		SHEET 1 OF 1		

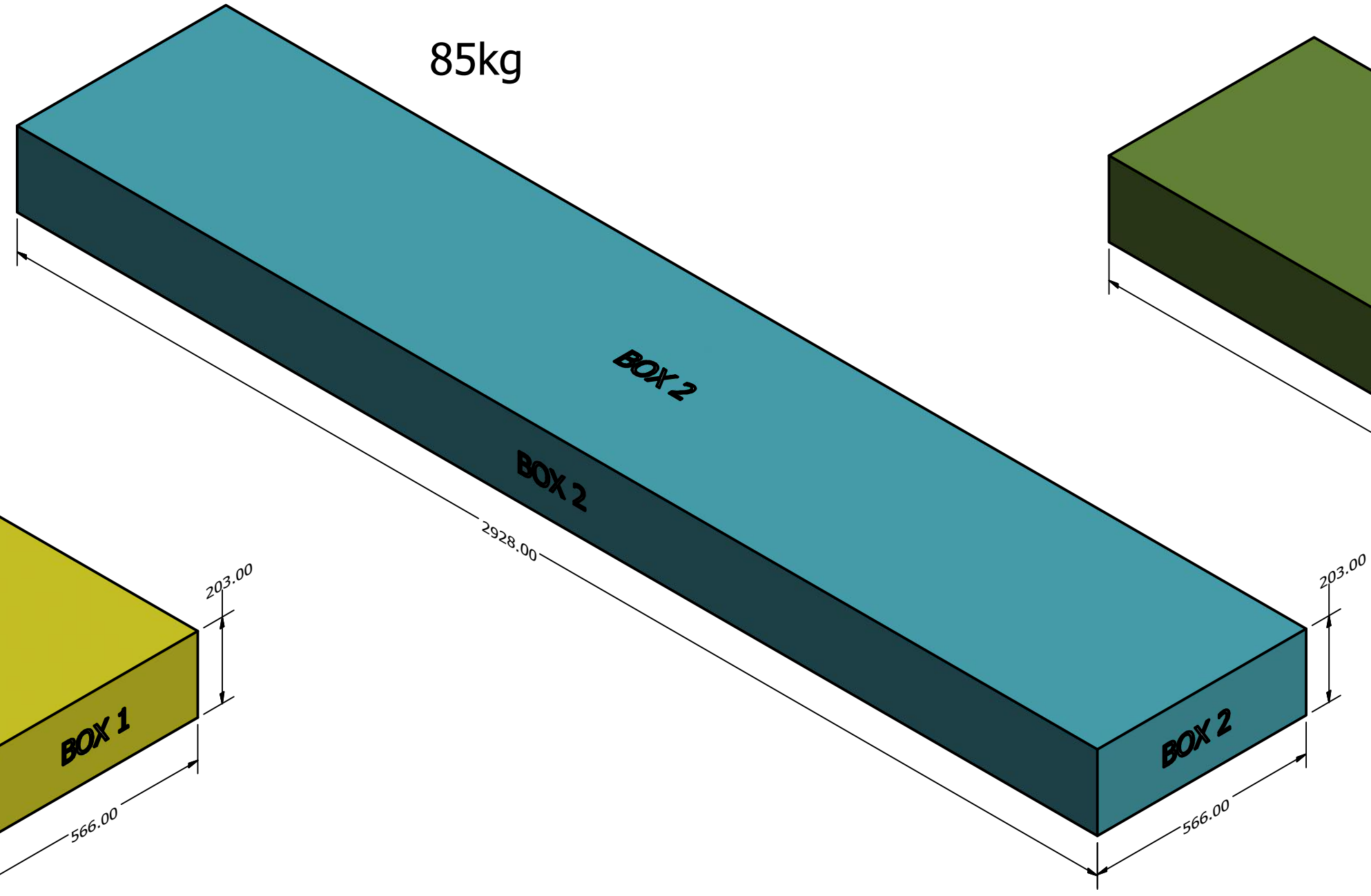
BOX1

82kg



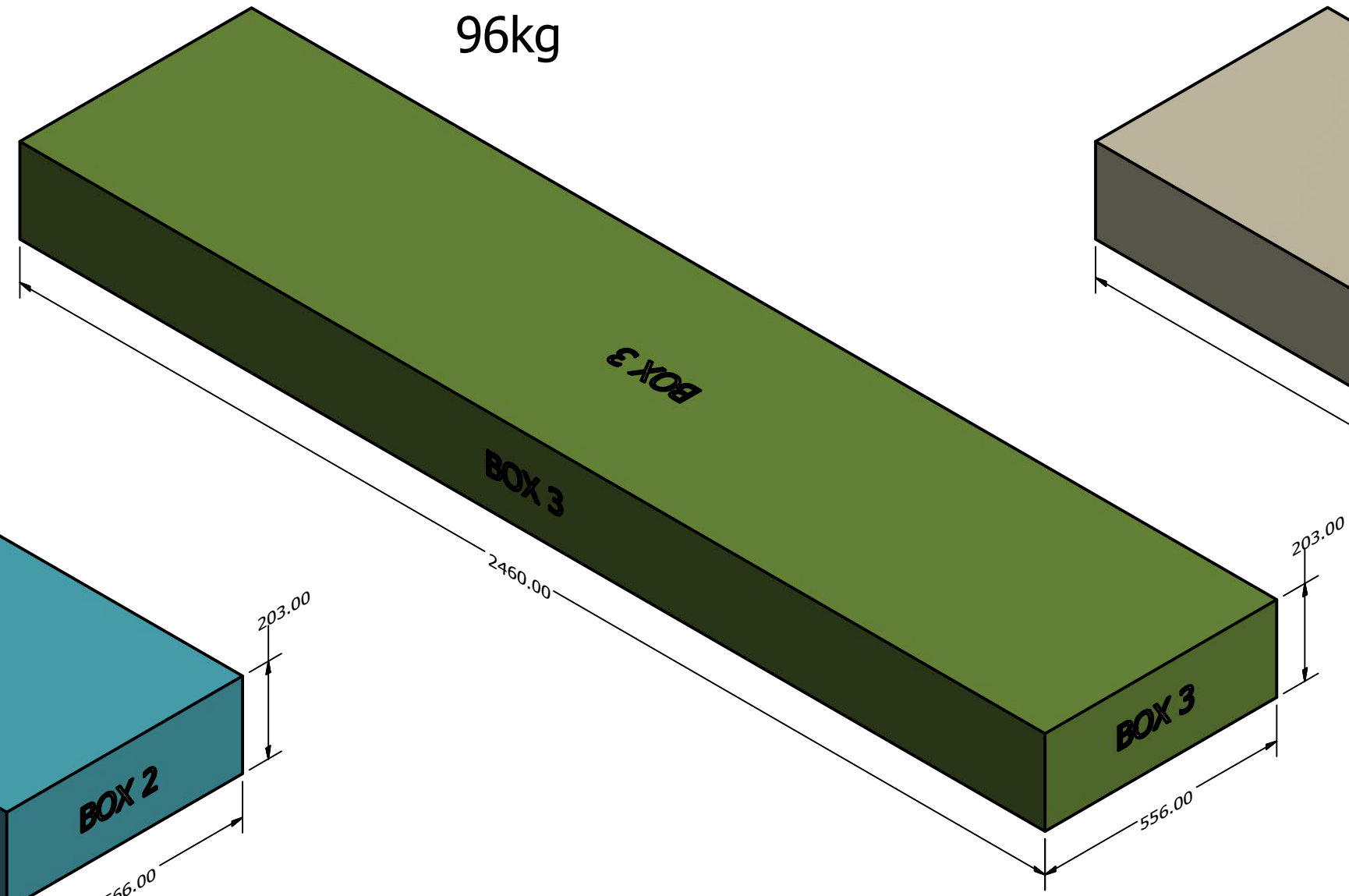
BOX2

85kg



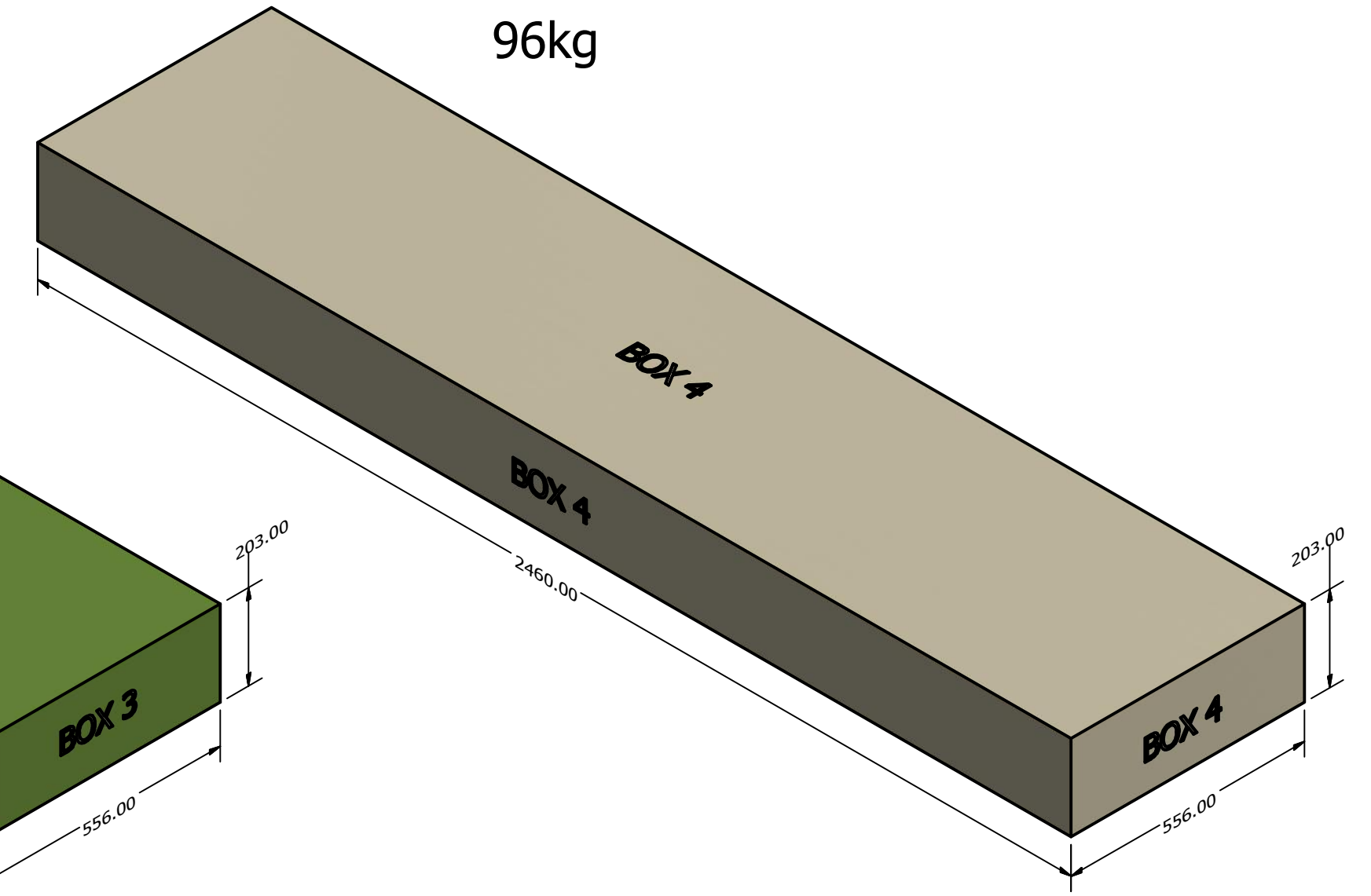
BOX3

96kg



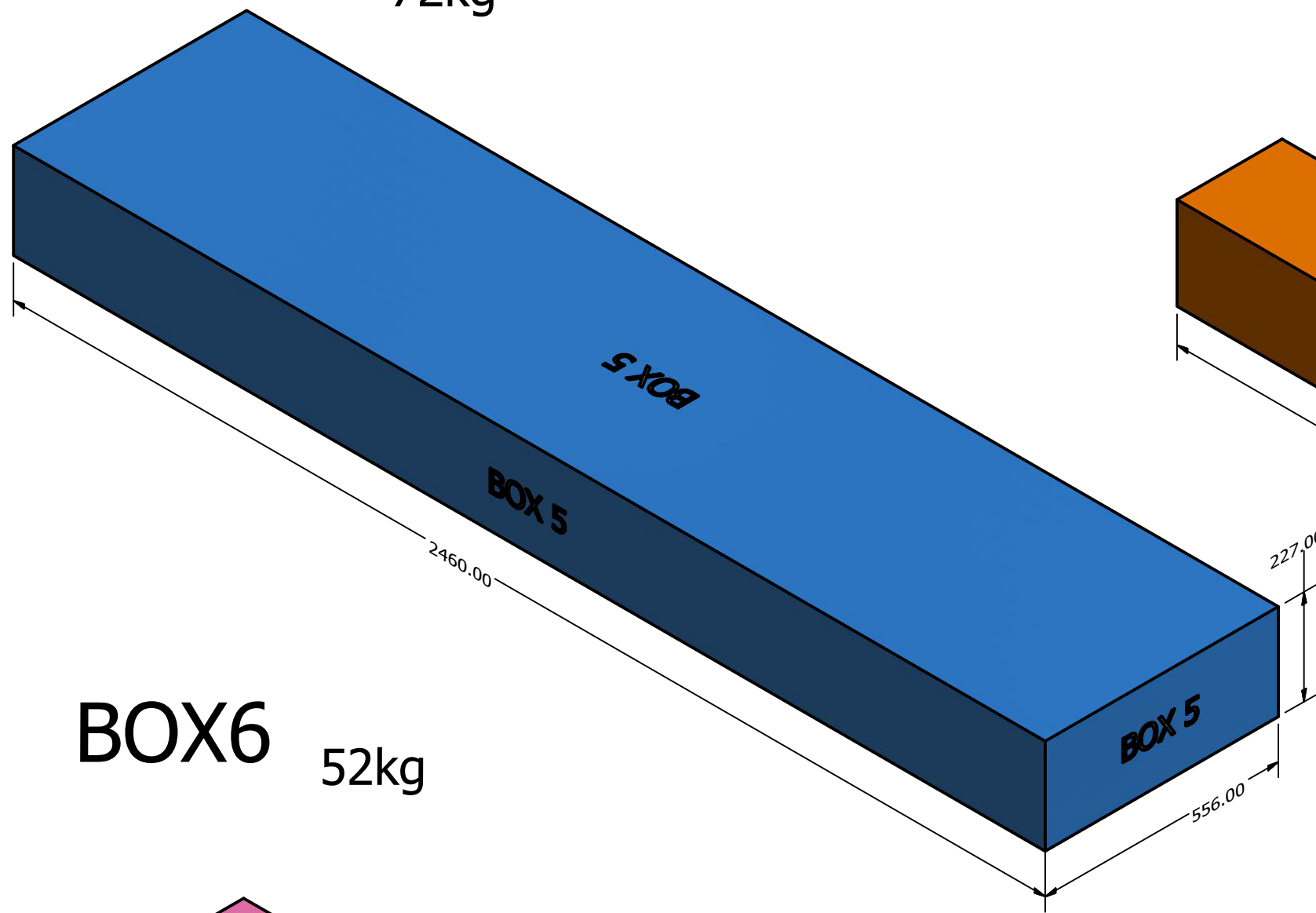
BOX4

96kg



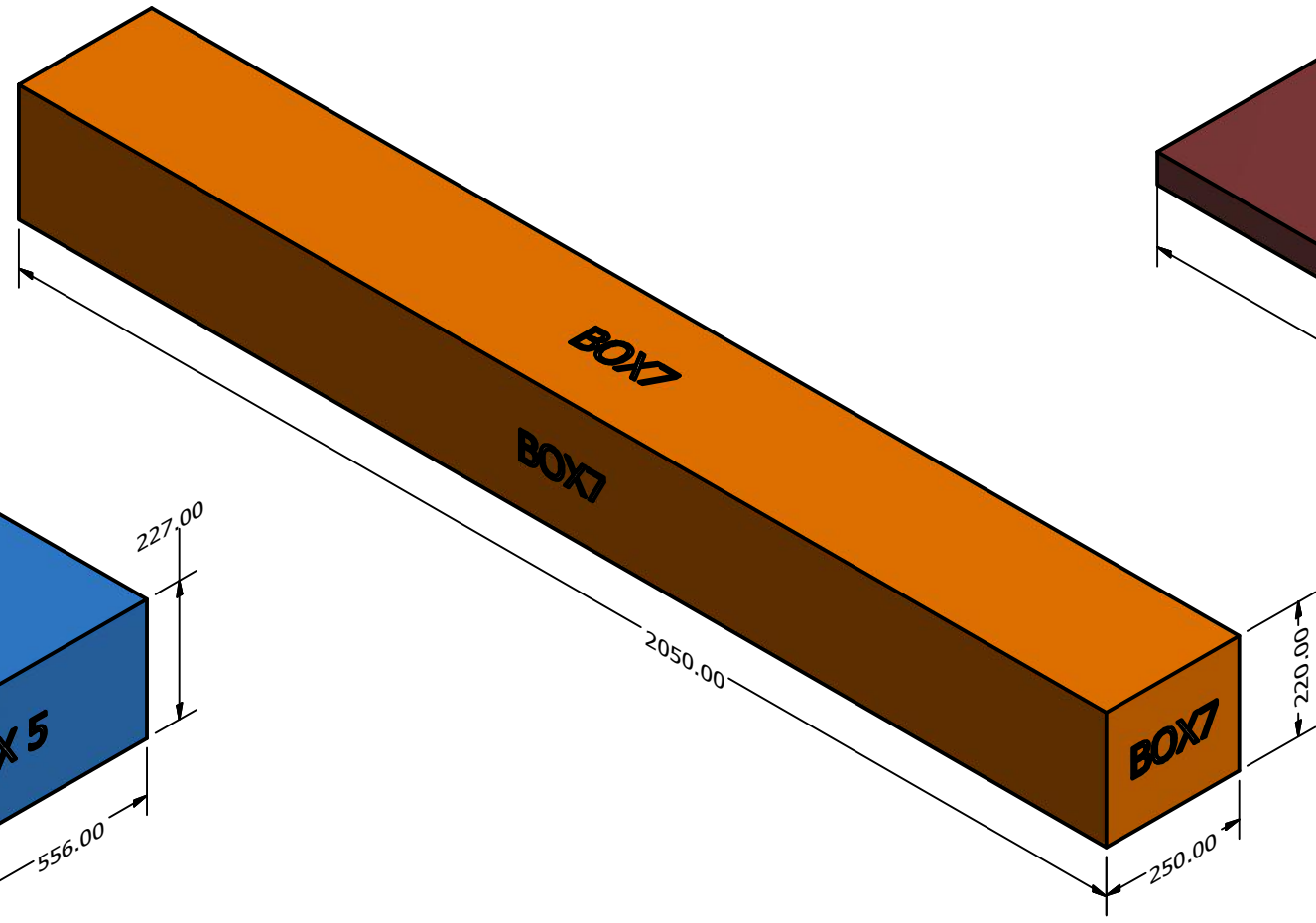
BOX5

72kg



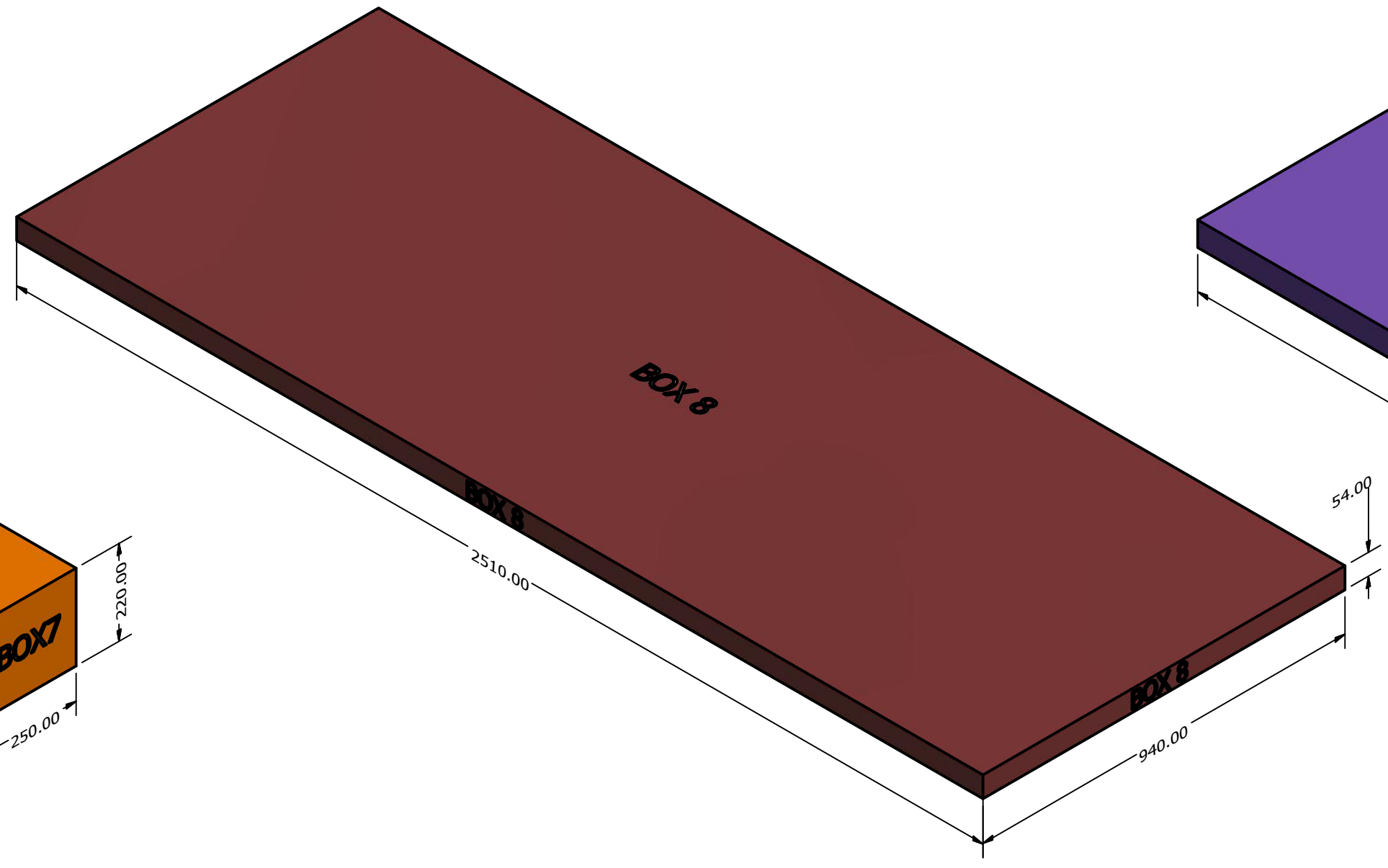
BOX7

45kg



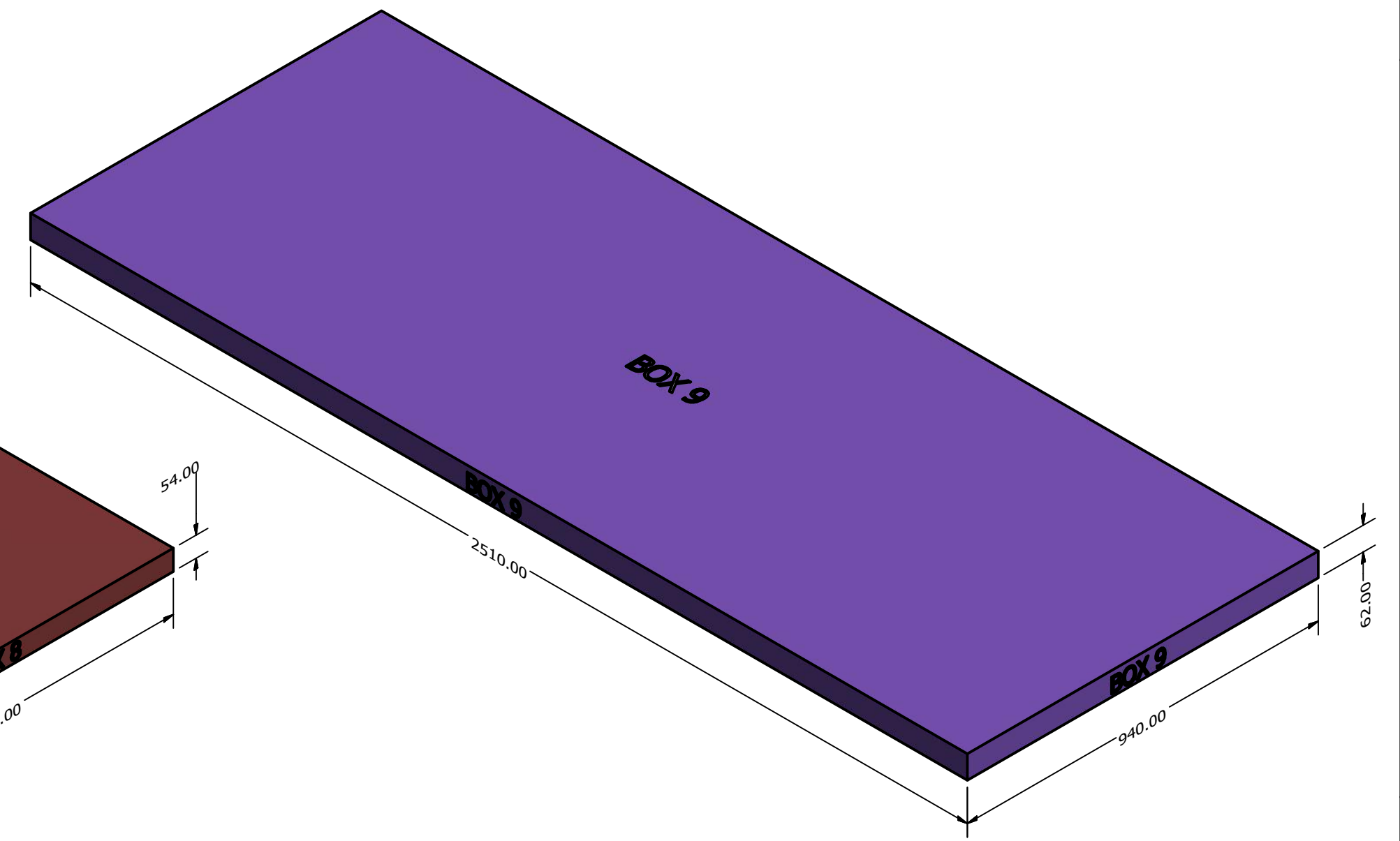
BOX8

87kg



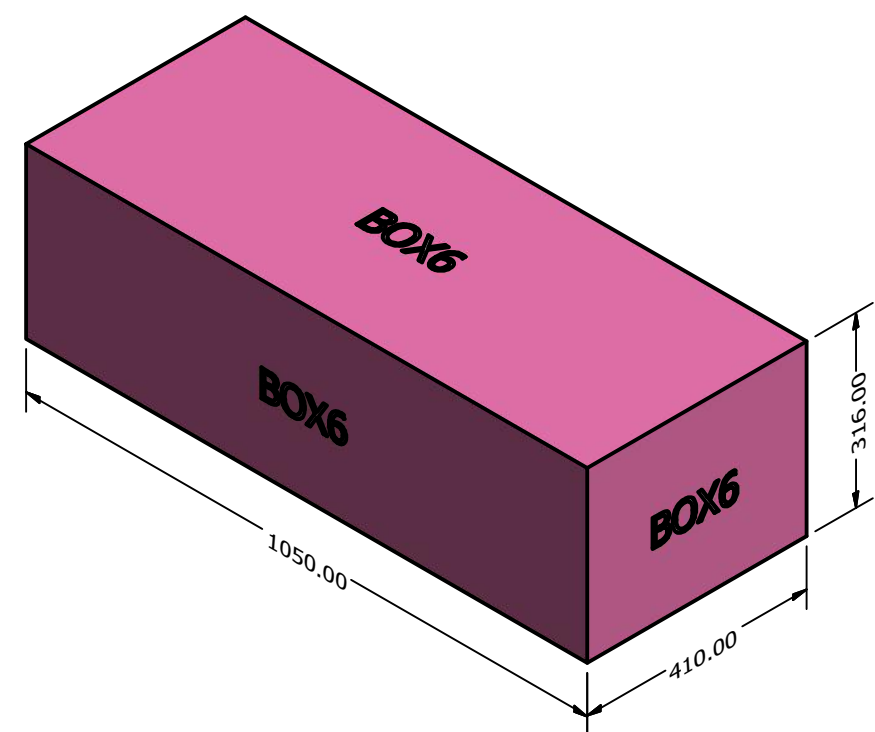
BOX9

85kg



BOX6

52kg



DRAWN Rudy	2019-12-16	TITLE	
CHECKED		TITLE	
QA		TITLE	
MFG		TITLE	
APPROVED		TITLE	
		SIZE D	DWG NO BOXES
		SCALE 1 / 10	REV SHEET 1 OF 1