

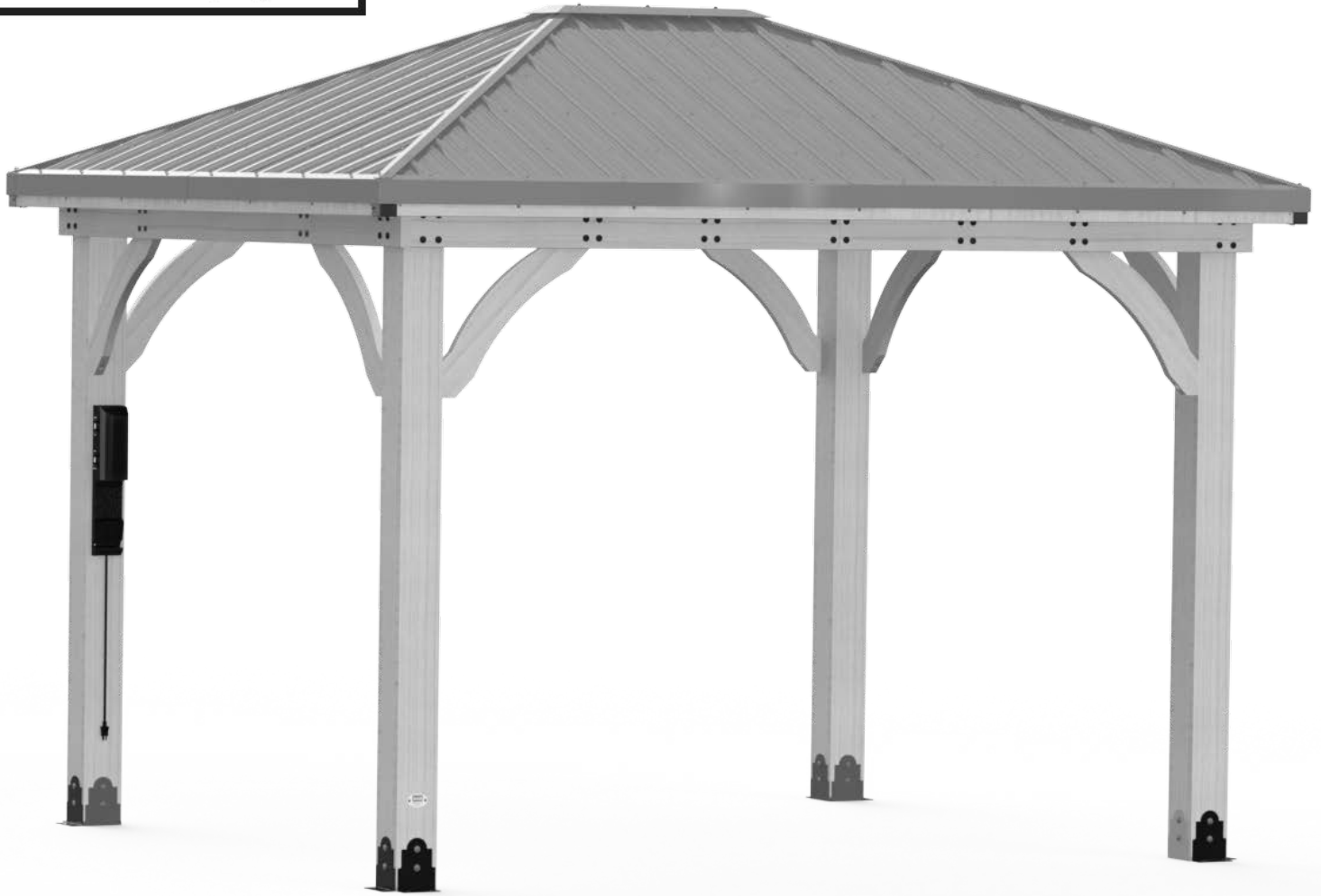


Manufactured by:
Backyard Discovery
3305 Airport Drive, Pittsburg, KS 66762
800-856-4445

Basepoint Business Centre: Rivermead Drive, Westlea, Swindon SN5 7EX Phone: 0800-118-2476
J.P. Coenstraat 7, The Bridge, The Hague, 2595 WP, Netherlands Phone: 08005678990

12x10 Barrington Gazebo

MODEL # : 2206076B, 2206076B-V



Please visit www.backyarddiscovery.com
For the most up to date assembly manual, to register your product, or to order
replacement parts *Para obtener instrucciones en español, visite*
www.backyarddiscovery.com



EASY STEP-BY-STEP
3D INTERACTIVE INSTRUCTIONS
DOWNLOAD THE FREE APP



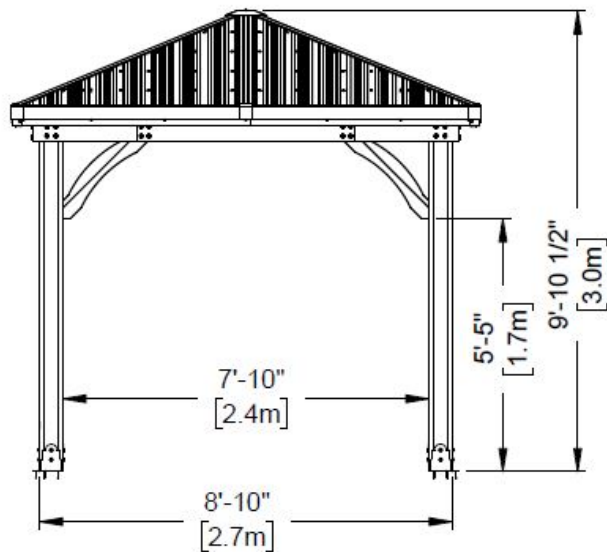
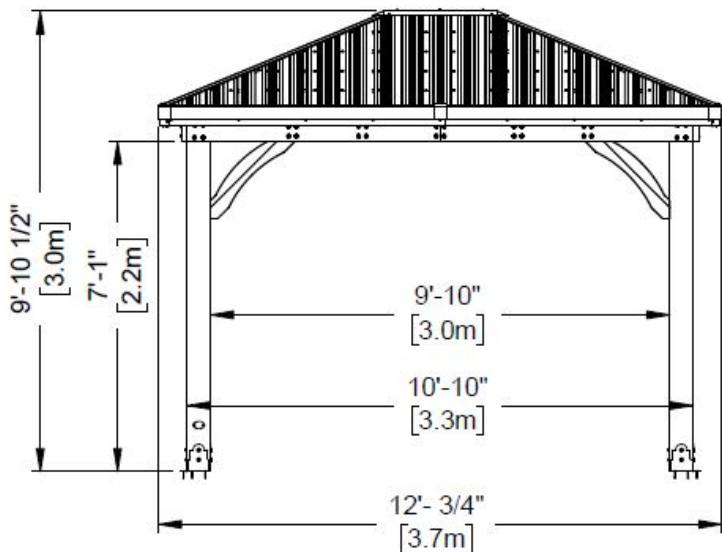
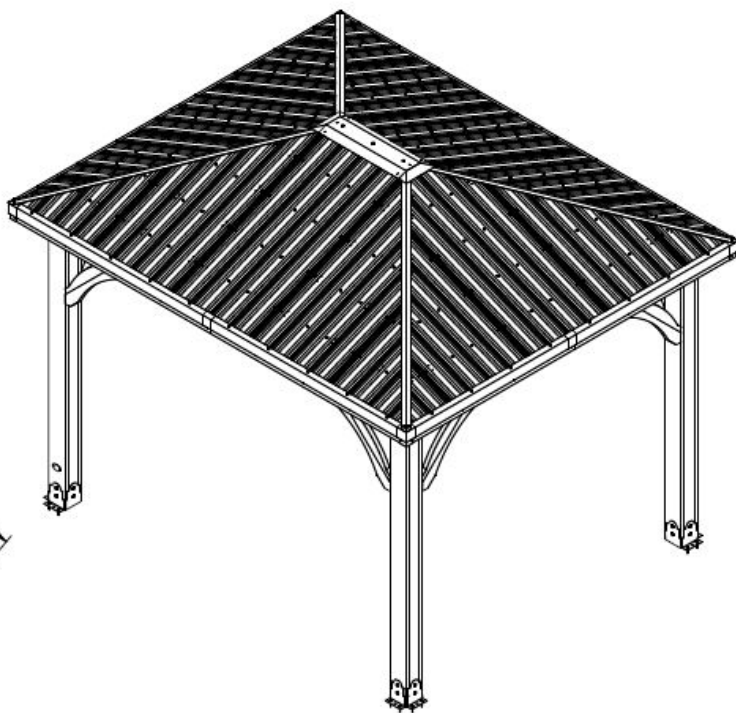
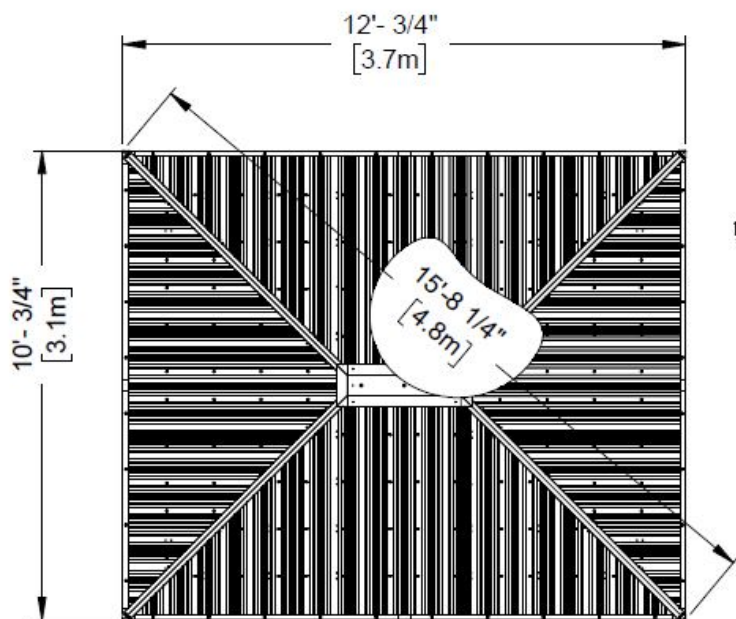
OWNER'S MANUAL - BASIC SETUP DIMENSIONS & ASSEMBLY NOTES

It is critically important that you start with square and level footings, concrete pad or deck to attach your structure

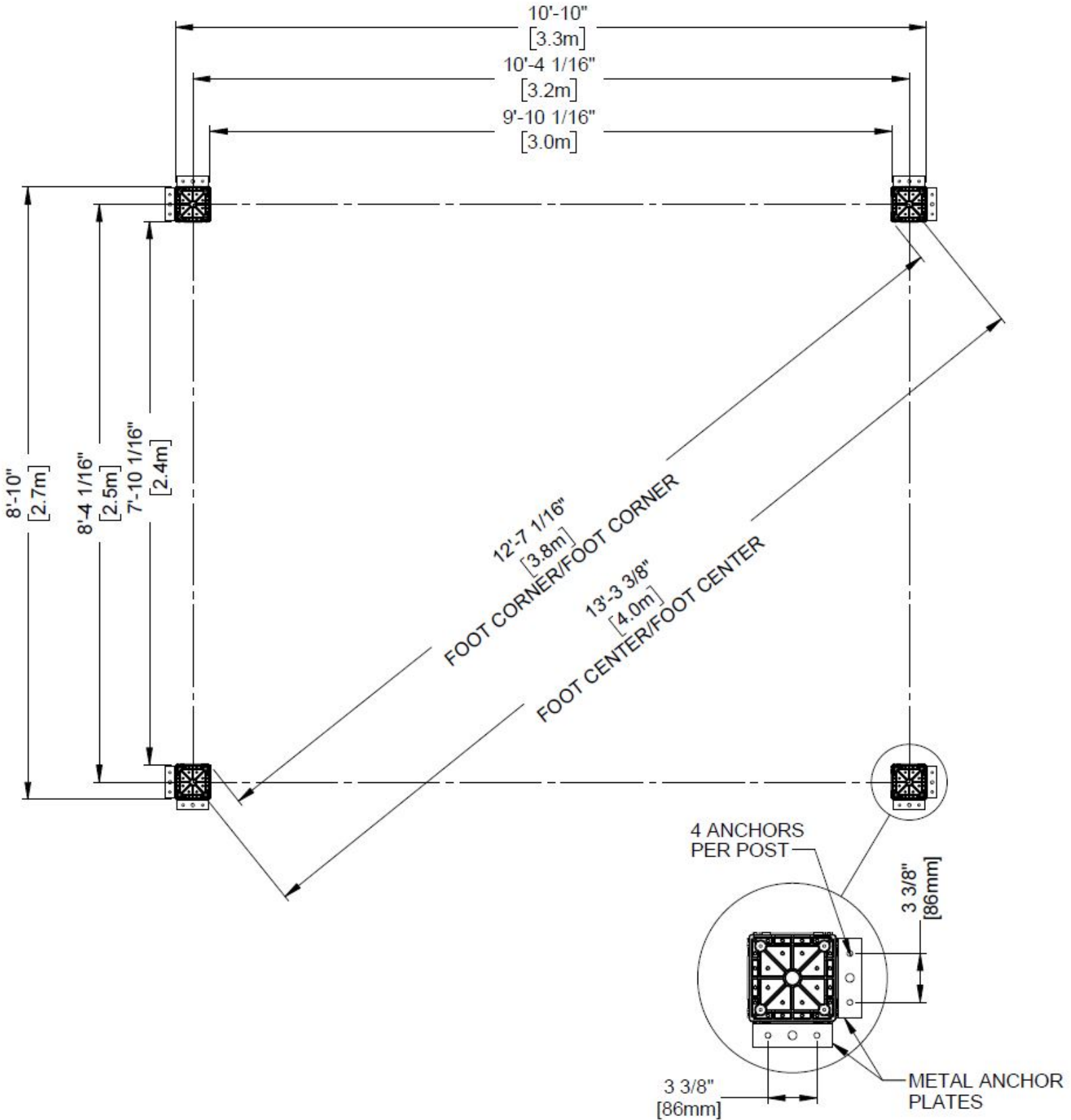
- Pay close attention to the items needed for each step. Make sure you are using the correct hardware for each step. Using incorrect hardware may result in improper assembly
- Remember to double check for underground utilities and overhead electrical lines

Post mounts are provided with your structure which allows you to permanently install your structure to a pre-existing or new wood or concrete surface. See Anchor Instructions for further details and recommendations.

- The hardware to attach the post mounts to the structure is included.
- The hardware to mount the structure permanently to a concrete surface is included.
- The hardware to mount the structure permanently to a wood deck is NOT included and will need to be purchased separately. You must ensure there is ample structural support under the deck before permanently attaching.



OWNER'S MANUAL - ANCHORING LAYOUT



OWNER'S MANUAL - PARTS IDENTIFICATION

Wood Components (Not to Scale)



D01 BEAM - W4L16778
(x4) 1 7/16"x5 1/4"x30 15/16" (36x134x786)



D02 BEAM - W4L16779
(x2) 1 7/16"x5 1/4"x55 3/4" (36x134x1416)



E01 RAFTER - W4L16786
(x2) 1 7/16"x3 3/8"x20 13/16" (36x86x528)



E03 RAFTER - W4L16788
(x2) 1 7/16"x3 3/8"x58 1/8" (36x86x1477)



E02 RAFTER - W4L16787
(x2) 1 7/16"x3 3/8"x39 7/16" (36x86x1002)



E04 RAFTER - W4L16789
(x2) 1 7/16"x3 3/8"x63 11/16" (36x86x1617)



E05 RAFTER - W4L16790
(x2) 1 7/16"x3 3/8"x58 1/8" (36x86x1477)



E06 RAFTER - W4L16791
(x2) 1 7/16"x3 3/8"x39 7/16" (36x86x1002)



E07 RAFTER - W4L16792
(x2) 1 7/16"x3 3/8"x20 13/16" (36x86x528)



E08 RAFTER - W4L16804
(x2) 1 7/16"x3 3/8"x57 1/2" (36x86x1460)



E09 RAFTER - W4L16805
(x2) 1 7/16"x3 3/8"x41 3/16" (36x86x1047)



E10 RAFTER - W4L16806
(x2) 1 7/16"x3 3/8"x20 3/4" (36x86x527)



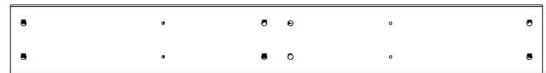
E11 RAFTER - W4L16807
(x2) 1 7/16"x3 3/8"x41 3/16" (36x86x1047)



E12 RAFTER - W4L16808
(x2) 1 7/16"x3 3/8"x20 3/4" (36x86x527)



G01 BEAM - W4L16775
(x4) 15/16"x5 1/4"x46" (24x134x1144)



G02 BEAM - W4L16776
(x2) 15/16"x5 1/4"x39 15/16" (24x134x1014)



G03 BEAM - W4L16777
(x4) 15/16"x5 1/4"x65" (24x134x1651)



H01 ROOF SUPPORT - W4L16781
(x4) 15/16"x3 3/8"x75 3/16" (24x86x1909)



H02 ROOF JOIST - W4L16782
(x2) 15/16"x3 3/8"x25 9/16" (24x86x648)



H03 ROOF JOIST - W4L16783
(x2) 15/16"x3 3/8"x86 3/4" (24x86x2203)

OWNER'S MANUAL - PARTS IDENTIFICATION

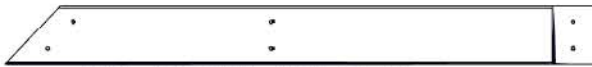
Wood Components (Not to Scale)



H04 ROOF JOIST - W4L16784
(x2) 15/16"x3 3/8"x85 3/4" (24x86x2203)



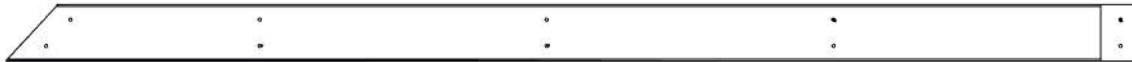
H05 PURLIN - W4L16793
(x2) 15/16"x3 3/8"x80 3/16" (24x86x2036)



H06 PURLIN - W4L16794
(x2) 15/16"x3 3/8"x33 5/8" (24x86x854)



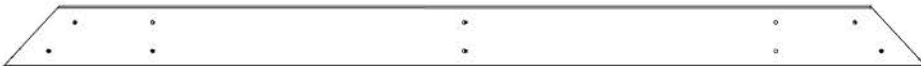
H07 PURLIN - W4L16795
(x2) 15/16"x3 3/8"x45 11/16" (24x86x1160)



H08 PURLIN - W4L16796
(x2) 15/16"x3 3/8"x68 1/8" (24x86x1730)



H09 PURLIN - W4L16797
(x2) 15/16"x3 3/8"x75 1/4" (24x86x1912)



H10 PURLIN - W4L16798
(x2) 15/16"x3 3/8"x51 1/8" (24x86x1299)



H11 ROOF JOIST - W4L16801
(x2) 15/16"x3 3/8"x12 15/16" (24x86x328)



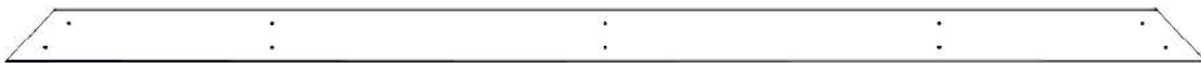
H12 ROOF JOIST - W4L16802
(x2) 15/16"x3 3/8"x79 1/4" (24x86x2013)



H13 PURLIN - W4L16803
(x2) 15/16"x3 3/8"x79 1/4" (24x86x2013)



H14 PURLIN - W4L16809
(x4) 15/16"x3 3/8"x50 13/16" (24x86x1290)



H15 PURLIN - W4L16810
(x2) 15/16"x3 3/8"x74 15/16" (24x86x1904)



H16 PURLIN - W4L16811
(x2) 15/16"x3 3/8"x50 11/16" (24x86x1288)



H17 PURLIN - W4L16812
(x2) 15/16"x3 3/8"x26 1/2" (24x86x673)



H29 ROOF SUPPORT - W4L15160
(x1) 15/16"x3 3/8"x24" (24x86x610)

OWNER'S MANUAL - PARTS IDENTIFICATION

Wood Components (Not to Scale)



Q01 ROOF JOIST - W4L16785
(x4) 15/16"x4 7/16"x72 1/4" (24x112x1835)



Q02 ROOF JOIST - W4L16800
(x4) 15/16"x4 7/16"x61 3/16" (24x112x1554)



T02 PURLIN - W4L16813
(x2) 15/16"x1 5/16"x15" (24x34x382)



T01 PURLIN - W4L16799
(x2) 15/16"x1 5/16"x27 7/8" (24x34x708)



C01 CORBEL - W2A03198
(x7) 1 7/16"x6 7/16"x36 1/4" (36x163x893)



C02 CORBEL W/TAG - W2A03199
(x1) 1 7/16"x6 7/16"x36 1/4" (36x163x893)



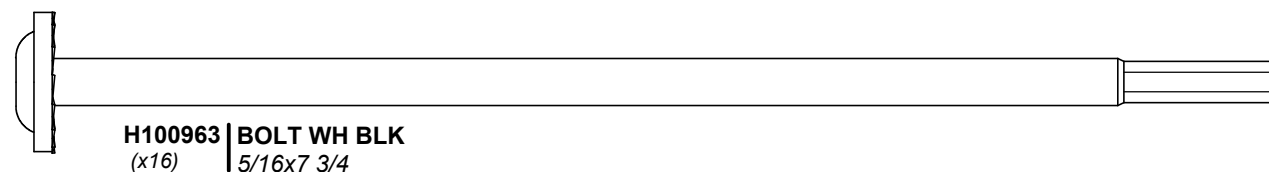
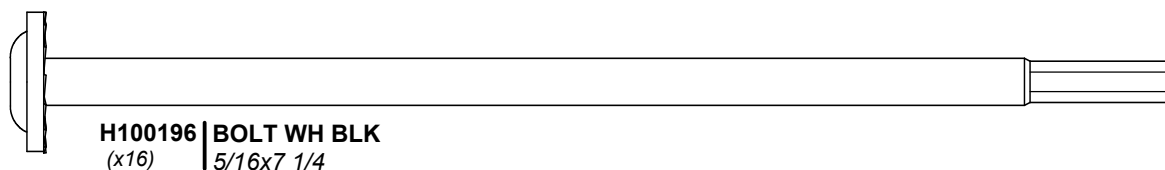
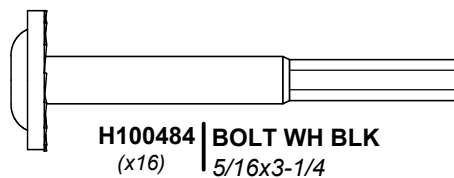
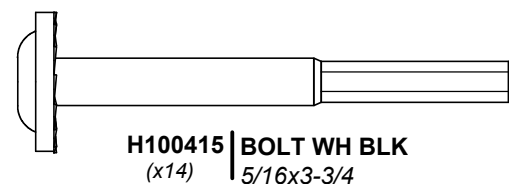
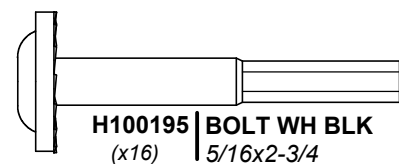
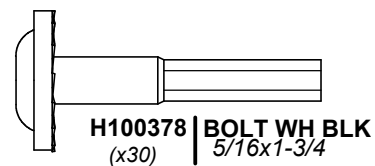
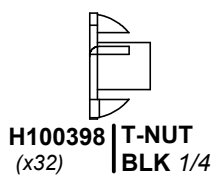
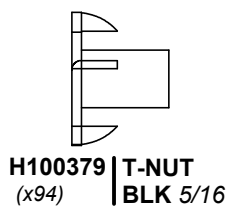
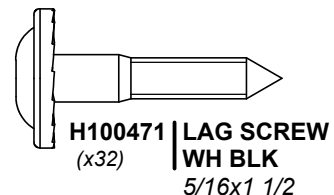
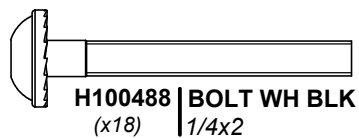
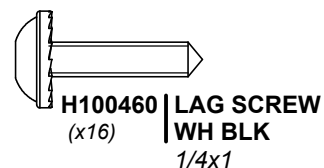
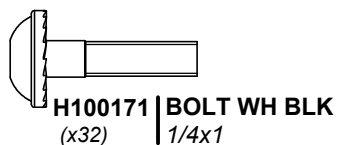
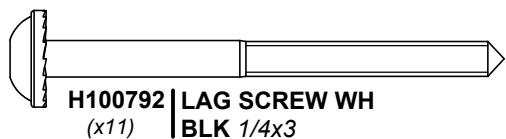
P01 POST - W2A03202
(x2) 6"x6"x89 1/2" (152x152x2274)



P02 POST - W2A03203
(x2) 6"x6"x89 1/2" (152x152x2274)

OWNER'S MANUAL - PARTS IDENTIFICATION

Hardware Components

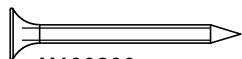


OWNER'S MANUAL - PARTS IDENTIFICATION

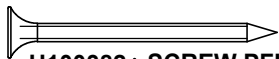
Hardware Components



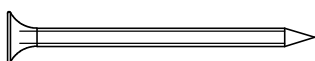
H100385 | SCREW PFH
(x36) | BLK 8x1



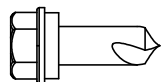
H100200 | SCREW PFH
(x16) | BLK 8x1 1/2



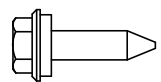
H100382 | SCREW PFH
(x44) | BLK 8x1 3/4



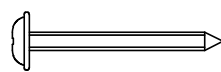
H100391 | SCREW PFH
(x188) | BLK 8x2



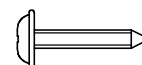
H100759 | SCREW
TAPPING
(x44) | 1/4x1



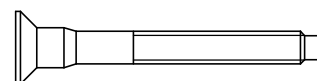
H100833 | SCREW
WOODGRIP
(x188) | 10x3/4



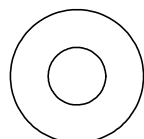
H100536 | SCREW PWH
(x40) | BLK 8x1 1/4



H100392 | SCREW PWH
(x16) | BLK 8x3/4



H101030 | SCREW CONFIRMAT BLK
(x96) | 7x2



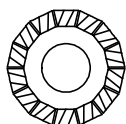
H100770 | WASHER FLAT
(x14) | BLK 5/16



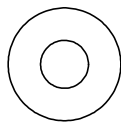
H101034 | WEATHER PROOF
(x3) | WASHER



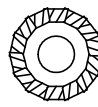
H100479 | NUT LOCK BLK
(x14) | 5/16



H100198 | WASHER LOCK
(x108) | EXT BLK 8x19



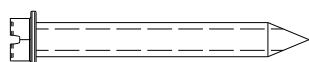
H100630 | WASHER FLAT
(x34) | BLK 8x19



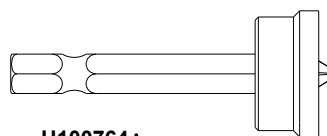
H100405 | WASHER
(x8) | LOCK EXT
BLK 6x15



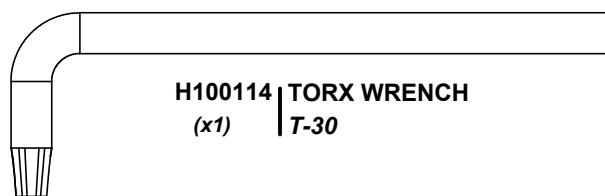
H100653 | NUT LOCK BLK
(x18) | 1/4



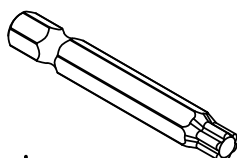
H100120 | SCREW CONCRETE
(x16) | ANCHOR 1/4x2



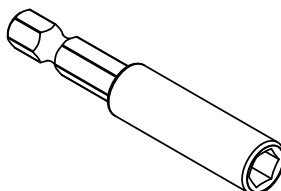
H100764 | SCREW SETTER
(x1)



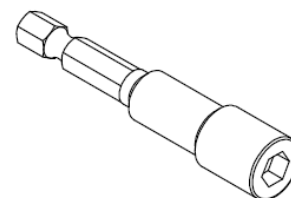
H100114 | TORX WRENCH
(x1) | T-30



H100147 | T-30 TORX BIT
(x1)



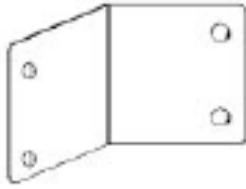
H101100 | BIT ADAPTOR
(x1)



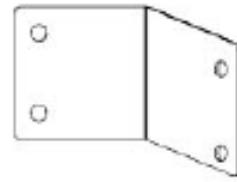
H101106 | SOCKET DRIVER
(1)

OWNER'S MANUAL - PARTS IDENTIFICATION

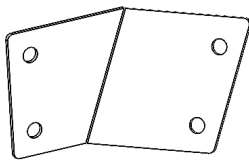
Accessory Components (Not to Scale)



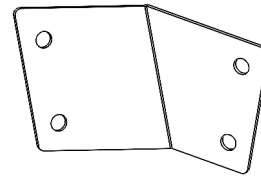
A4M01667 | PANEL BRACKET
(x2)



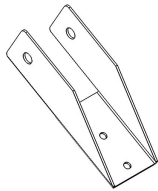
A4M01666 | PANEL BRACKET
(x2)



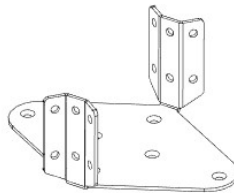
A4M01664 | PANEL BRACKET
(x2)



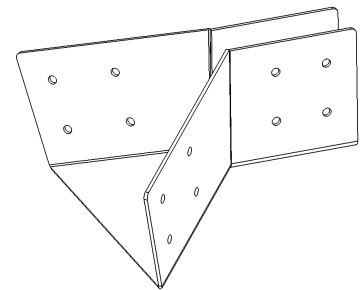
A4M01665 | PANEL BRACKET
(x2)



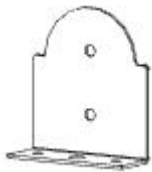
A4M01228 | RAFTER CLIP
(x18)



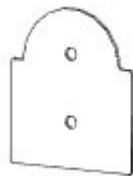
A4M02501 | FAN MOUNT BRACKET
(x2)



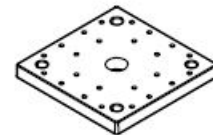
A4M01184 | PANEL SUPPORT BRACKET
(x2)



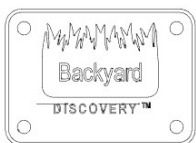
A4M01793 | STEEL POST PLATE
(x8)



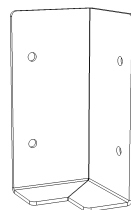
A4M01794 | STEEL POST ANCHOR PLATE
(x8)



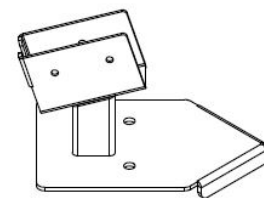
A6P00308 | 6x6 POST FOOT
(x4)



A4M02158 | BYD ID TAG
(SMALL)
WITHOUT AGES
(x1)



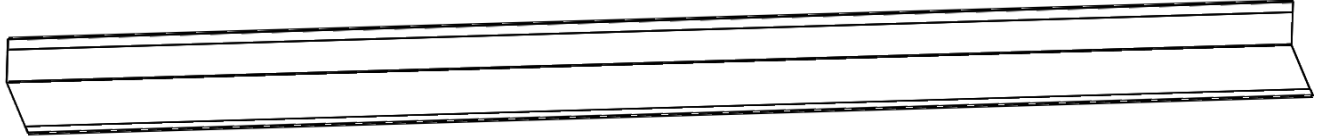
A4M01185 | CORNER BRACKET
(x4)



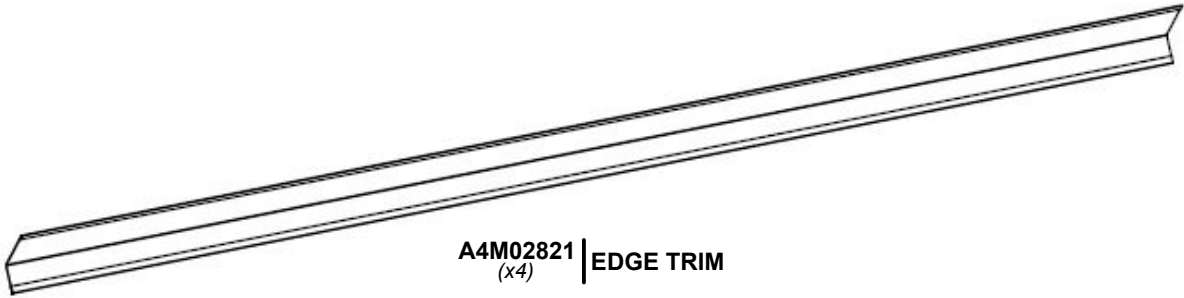
A4M01234 | POST CLIP
(x4)

OWNER'S MANUAL - PARTS IDENTIFICATION

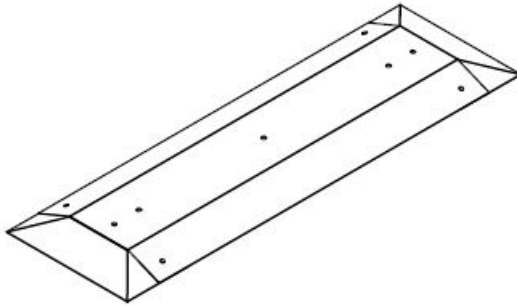
Accessory Components (Not to Scale)



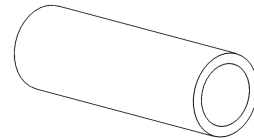
A4M02900 | EDGE TRIM SHORT
(x4)



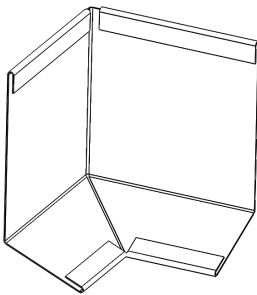
A4M02821 | EDGE TRIM
(x4)



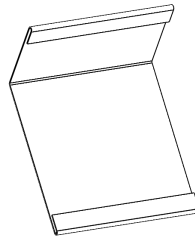
A4M02886 | RIDGE PEAK CAP
(x1)



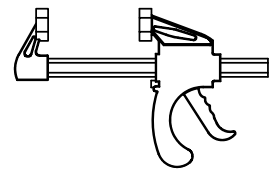
A4M01205 | METAL SPACER
(x3)



A4M02825 | EDGE TRIM CORNER SPLICE
(x4)



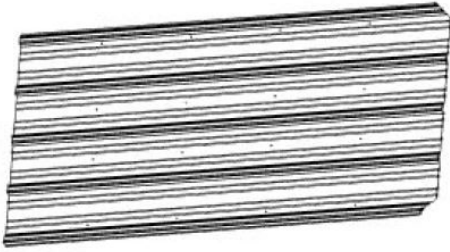
A4M02822 | EDGE TRIM SPLICE
(x4)



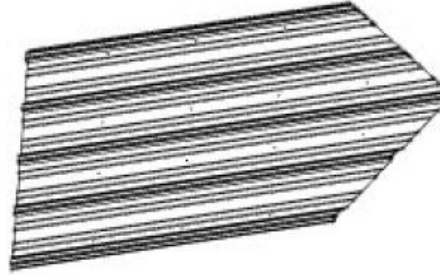
A6P00460 | 6" QUICK RELEASE
BAR CLAMP
(x2)

OWNER'S MANUAL - PARTS IDENTIFICATION

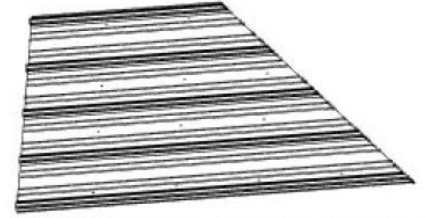
Accessory Components (Not to Scale)



A4M02901-1 | 29 GA STEEL SHEETING
(x2)



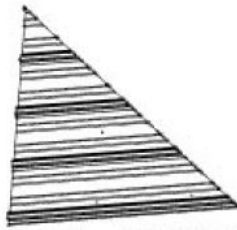
A4M02901-2 | 29 GA STEEL SHEETING
(x2)



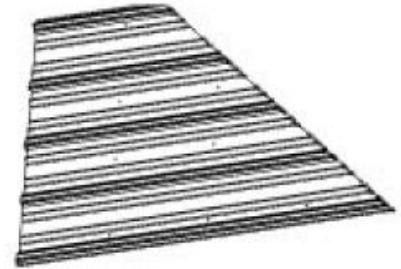
A4M02902-1 | 29 GA STEEL SHEETING
(x2)



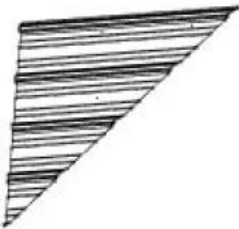
A4M02902-2 | 29 GA STEEL SHEETING
(x2)



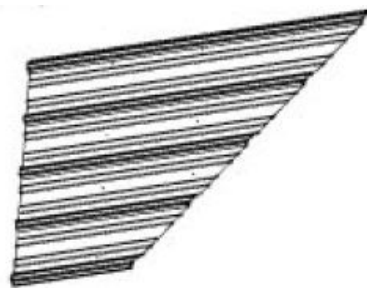
A4M02903-1 | 29 GA STEEL SHEETING
(x2)



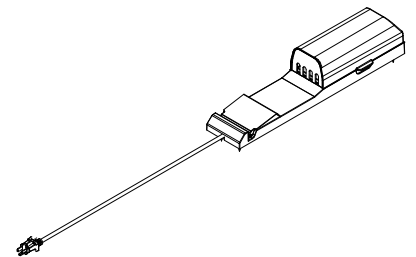
A4M02903-2 | 29 GA STEEL SHEETING
(x2)



A4M02904-1 | 29 GA STEEL SHEETING
(x2)



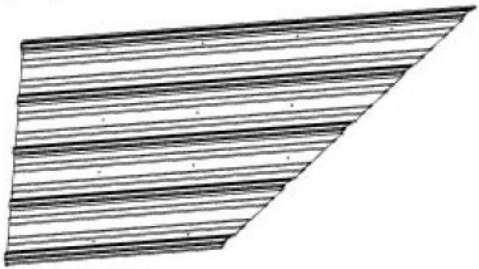
A4M02904-2 | 29 GA STEEL SHEETING
(x2)



9205413 | ELECTRICAL
ENCLOSURE
(x1)

OWNER'S MANUAL - PARTS IDENTIFICATION

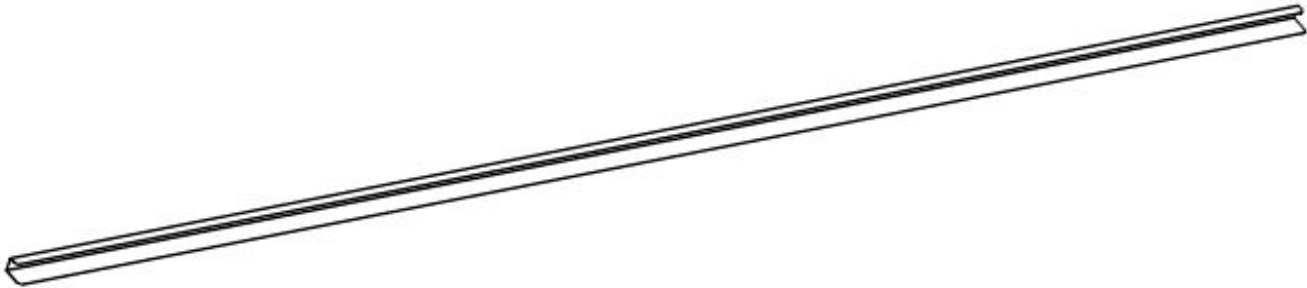
Accessory Components (Not to Scale)



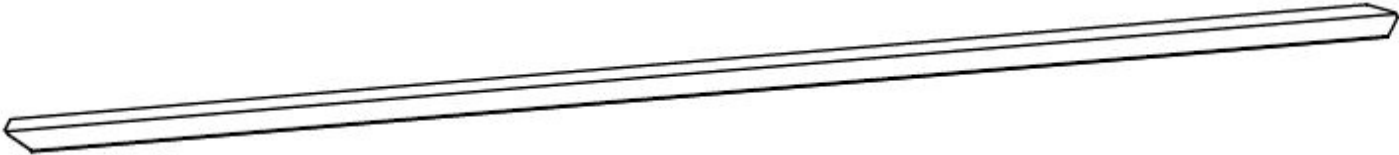
A4M02905-1 | 29 GA STEEL SHEETING
(x2)



A4M02905-2 | 29 GA STEEL SHEETING
(x2)



A4M02906 | RIDGE CAP CHANNEL
(x8)



A4M02907 | CORNER RIDGE CAP
(x4)

PRE-ASSEMBLY STEP 1 - SORTING PARTS

It is critical for ease of assembly that you take the time to sort and organize the wood and hardware.

WOOD PARTS:

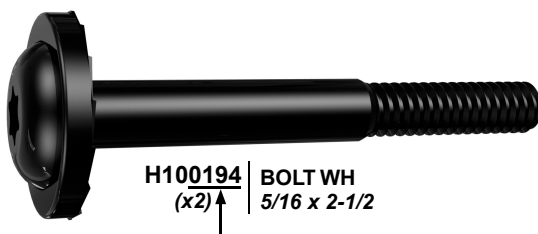
- Organize wood parts by the three-digit, alpha-numeric number stamped on each board (ex. P01).
- If there are multiple boards with the same stamped number, stack those pieces together.
- Stamps can be found on the flat surface of the boards or on the end of the boards.
- Allow yourself plenty of room - the wood pieces can take up a significant amount of space.

NOTE: CARTONS ARE NOT ORGANIZED BY BOARD NUMBER.



HARDWARE PARTS:

- We recommend that you have a separate table to organize the hardware.
- Hardware bags are printed with a seven-digit, alpha-numeric part number.
- You can organize your hardware by part number or group by hardware type (i.e. bolts, nuts, etc.).
- During assembly you only need to reference the last four digits of the number.



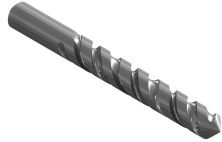
PRE-ASSEMBLY STEP 2 - TOOLS REQUIRED



Cordless Drill or
Electric Drill



Drill Attachments:
Phillips Head



1/8", 3/16", 3/8" &
7/16" Drill Bits



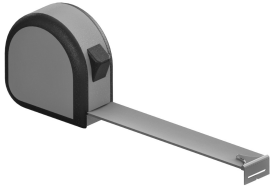
Phillips Screw Driver



Open End
Wrenches 1/2" &
7/16"



3/8" Drive Ratchet, 1/2" &
7/16" STD Sockets, 1/2" &
7/16" Deep Sockets



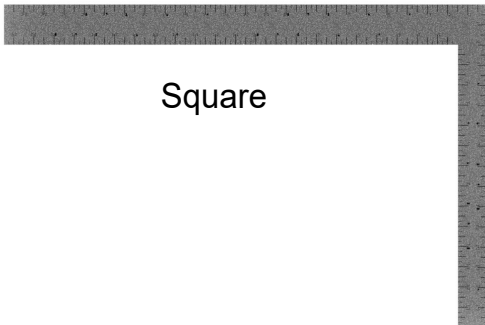
Tape Measure



Claw Hammer



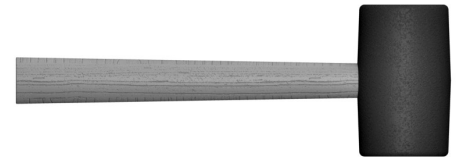
3/8 & 5/16" Nut Drivers



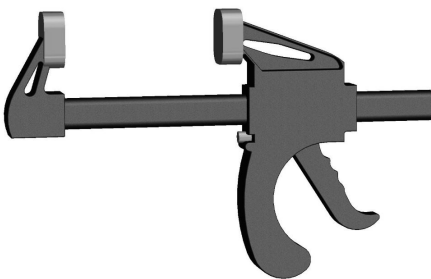
Square



Level 24"



Rubber Mallet -
Optional




A6P00460 | QUICK RELEASE
BAR CLAMP

PRE-ASSEMBLY STEP 3 - CHOOSE YOUR ASSEMBLY METHOD

There are several types of assembly instructions available to you.

1. Printed Assembly Manual included with your set
2. BILT APP - 3D interactive instructions
3. Combination of the Printed Manual and BILT APP (Note: Step numbers can differ between the two methods)



The graphic is a promotional banner for the BILT app. On the left, the BILT logo is displayed in a large, bold, grey font. Below the logo, the text 'Scan for easy 3D instructions' is written in a large, bold, black font. Underneath this, it says 'Download the BILT app before you begin' in a smaller, regular black font. On the right side, there is a QR code with the text 'SCAN FOR BILT 3D INSTRUCTIONS' above it. Below the QR code, it says 'POWERED BY BILT INTELLIGENT INSTRUCTIONS'. At the bottom right, there are two buttons: 'Download on the App Store' and 'GET IT ON Google Play'. At the bottom center, there is a smartphone screen showing a 3D assembly instruction interface. The screen displays a 3D model of a structure with a horizontal beam and a triangular support. The interface includes a 'Part(s) Needed' button at the top left, a close button (X) at the top right, a menu button (three dots) and a share button (circle with arrow) on the right side, and a play button (II) at the bottom center. The number '17' is visible in the bottom left corner of the screen.

STEP 1 - 10FT POST ASSEMBLY

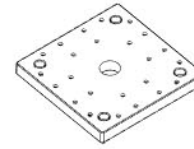
Qty	PART NUMBER	DESCRIPTION
8	H100200	SCREW PFH 8x1 1/2 BLK



P01 POST - W2A03202
(x1) 6"x6"x89 1/2" (152x152x2274)



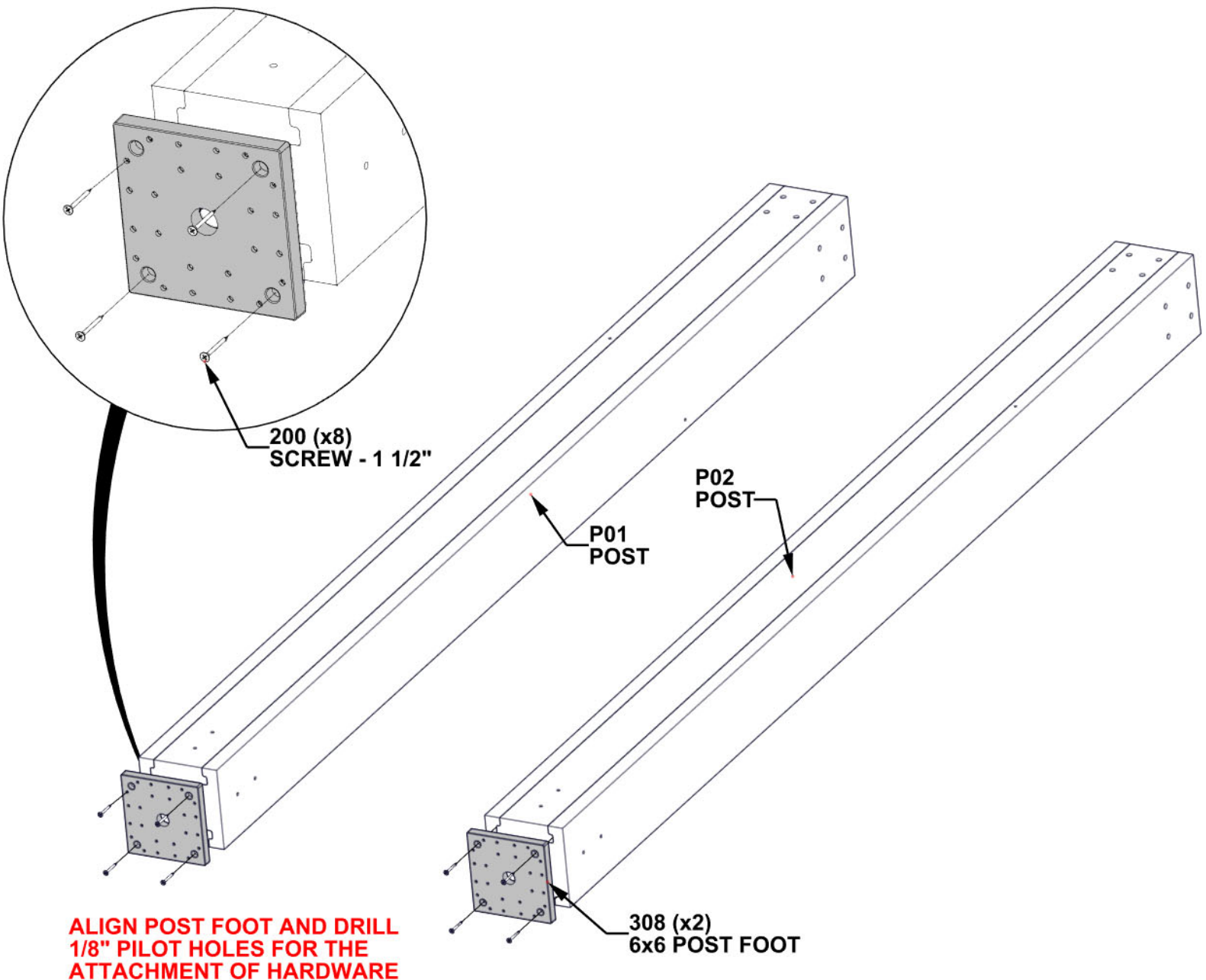
P02 POST - W2A03203
(x1) 6"x6"x89 1/2" (152x152x2274)



A6P00308 6x6 POST FOOT
(x2)

TIPS:

- FOR EASE OF ASSEMBLY, SAW HORSES ARE RECOMMENDED FOR STEPS 1 THROUGH 3.



STEP 2 - 10FT BEAM ASSEMBLY



D02 BEAM - W4L16779
(x1) 36x5 1/4"x55 3/4" (36x134x1416)



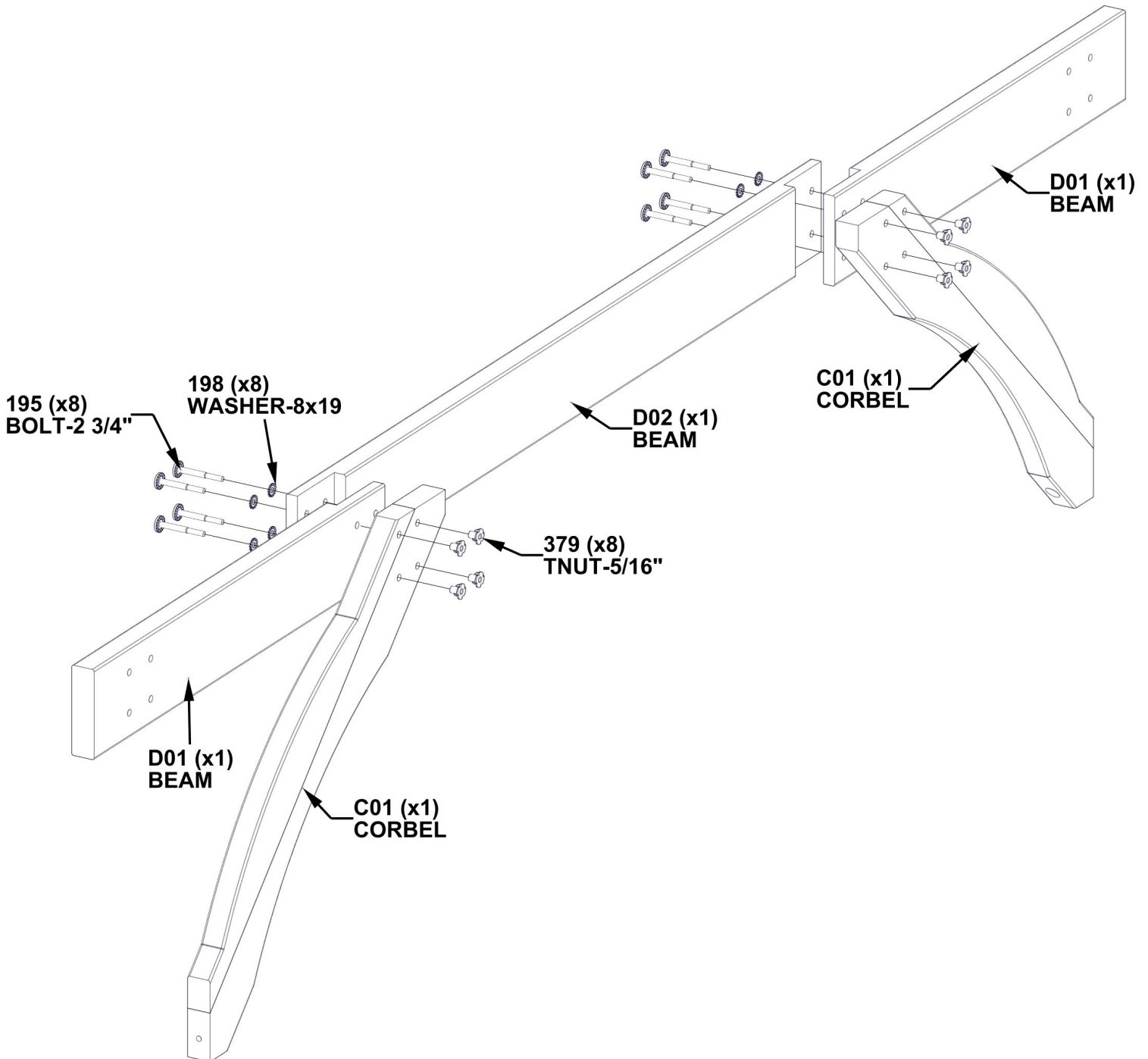
D01 BEAM - W4L16778
(x2) 1 7/16"x5 1/4"x30 15/16" (36x134x786)

Qty	PART NUMBER	DESCRIPTION
8	H100195	BOLT WH 5/16x2 3/4 BLK
8	H100198	WASHER LOCK EXT 8X19 BLK
8	H100379	TNUT-5/16" BLK



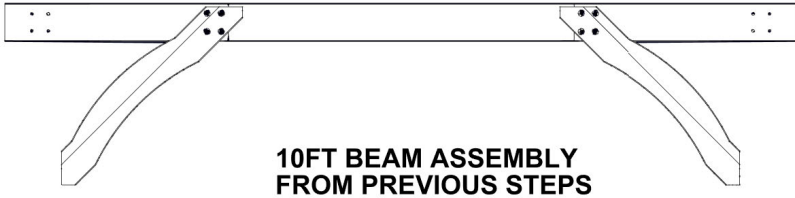
C01 CORBEL - W2A03198
(x2) 1 7/16"x6 7/16"x36 1/4" (36x163x893)

INSERT T-NUTS FIRST



STEP 3 - 10FT BEAM ASSEMBLY

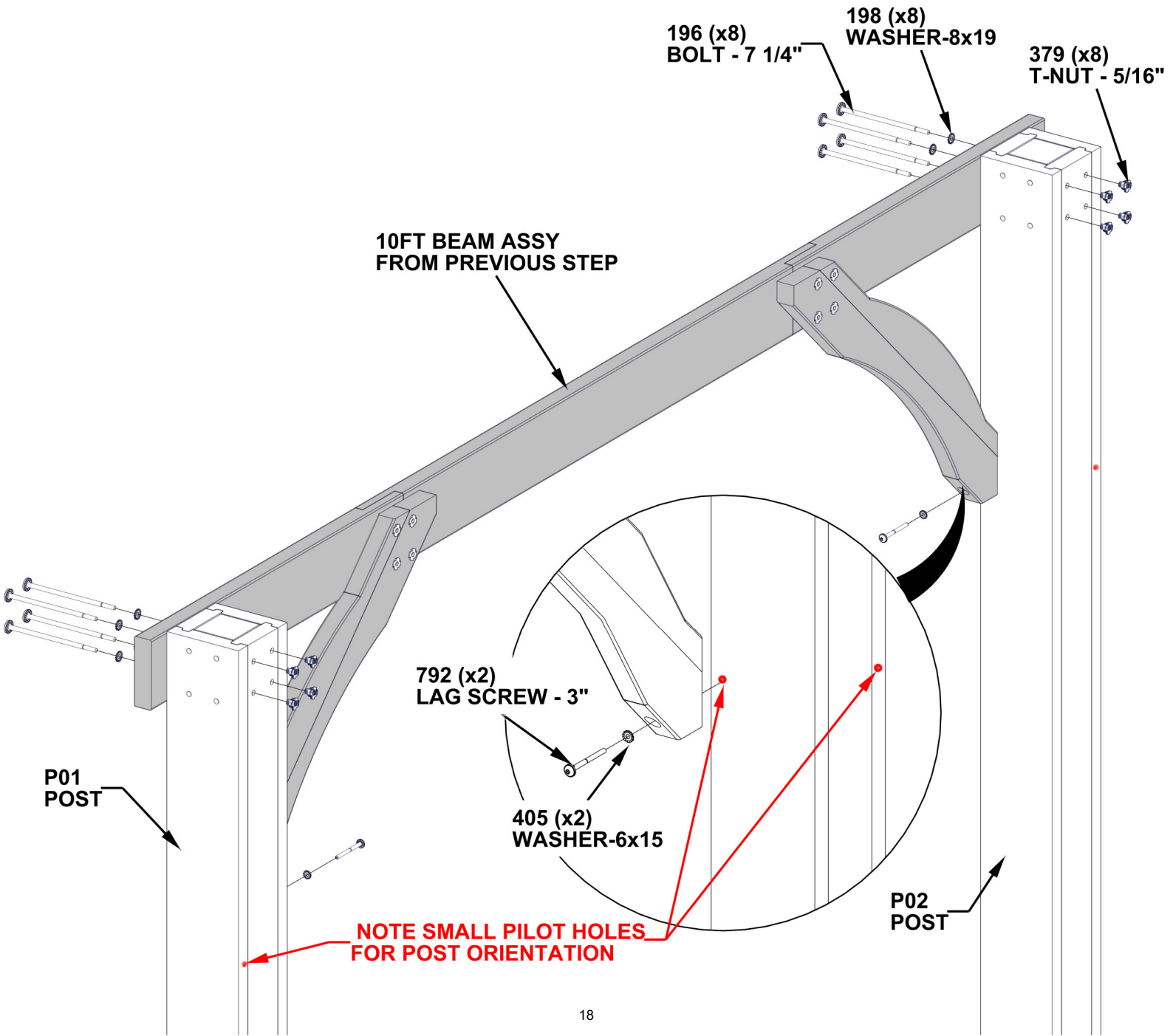
Qty	PART NUMBER	DESCRIPTION
8	H100196	BOLT WH 5/16x7 1/4 BLK
8	H100198	WASHER LOCK EXT 8X19 BLK
8	H100379	TNUT-5/16" BLK
2	H100405	WASHER LOCK EXT 6X15 BLK
2	H100792	LAG SCREW WH 1/4x3 BLK



INSERT T-NUTS FIRST

TIPS:

- TO AVOID WOOD SPLITTING, MAKE SURE LAG SCREWS GO INTO PILOT HOLES.
- SAW DUST CAN BE LEFT BEHIND IN BOLT HOLES. IF YOU HAVE TROUBLE WITH BOLTS ENGAGING, USE A LONG SCREWDRIVER TO REMOVE DEBRIS.



**SET 10FT ASSEMBLY TO THE SIDE
AND REPEAT STEPS 1 THROUGH 3**

STEP 4 - 12FT BEAM ASSEMBLY



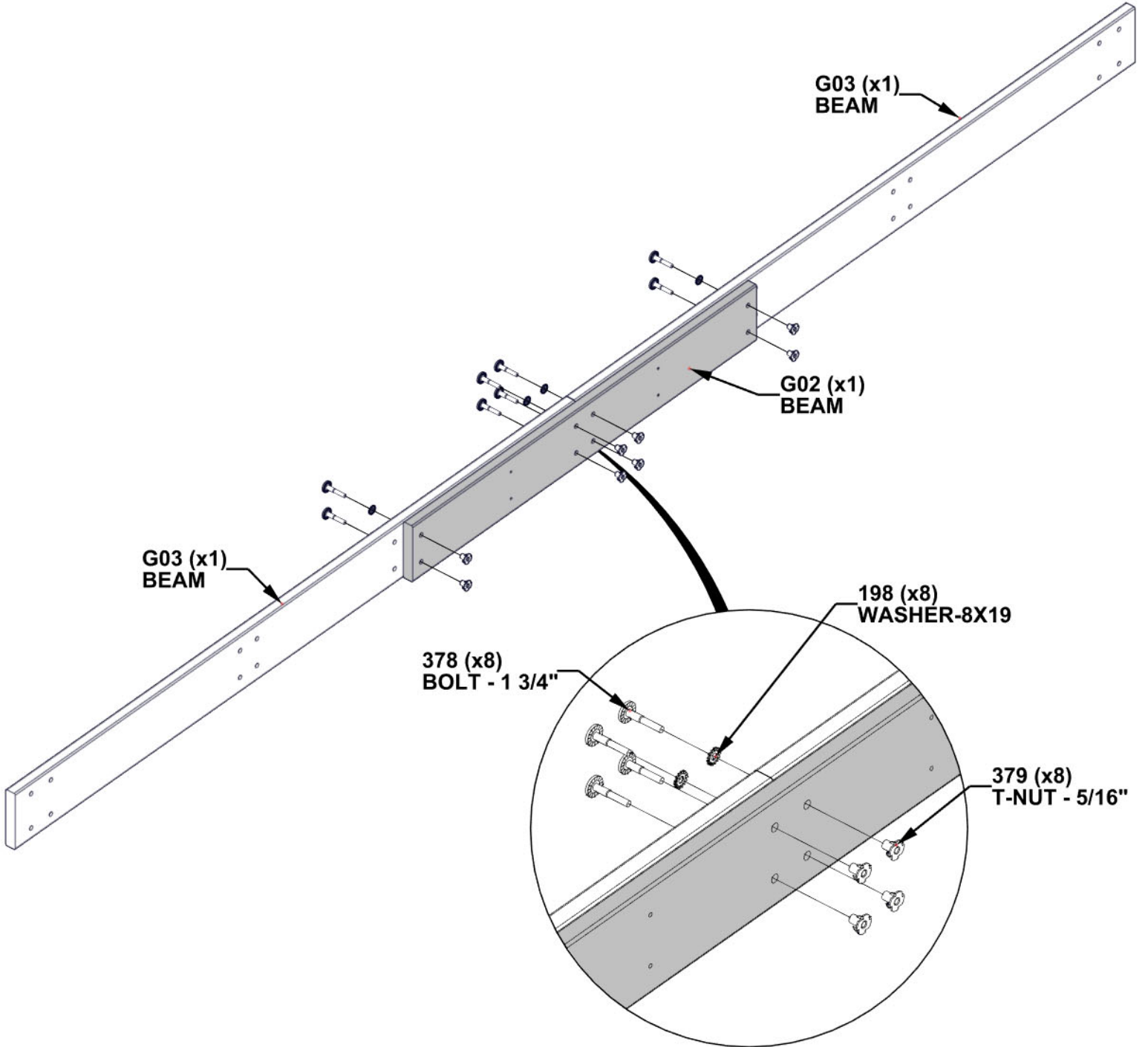
G03 BEAM - W4L16777
 (x2) 15/16"x5 1/4"x65" (24x134x1651)



G02 BEAM - W4L16776
 (x1) 15/16"x5 1/4"x39 15/16" (24x134x1014)

Qty	PART NUMBER	DESCRIPTION
8	H100198	WASHER LOCK EXT 8X19 BLK
8	H100378	BOLT WH 5/16x1 3/4 BLK
8	H100379	T-NUT 5/16 BLK

INSERT T-NUTS FIRST



STEP 5 - 12FT BEAM ASSEMBLY

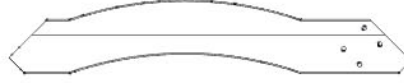
Qty	PART NUMBER	DESCRIPTION
12	H100198	WASHER LOCK EXT 8X19 BLK
4	H100378	BOLT WH 5/16x1 3/4 BLK
12	H100379	T-NUT 5/16 BLK
8	H100484	BOLT WH 5/16x3 1/4 BLK



G01 BEAM - W4L16775
(x2) 15/16"x5 1/4"x46" (24x134x1146)

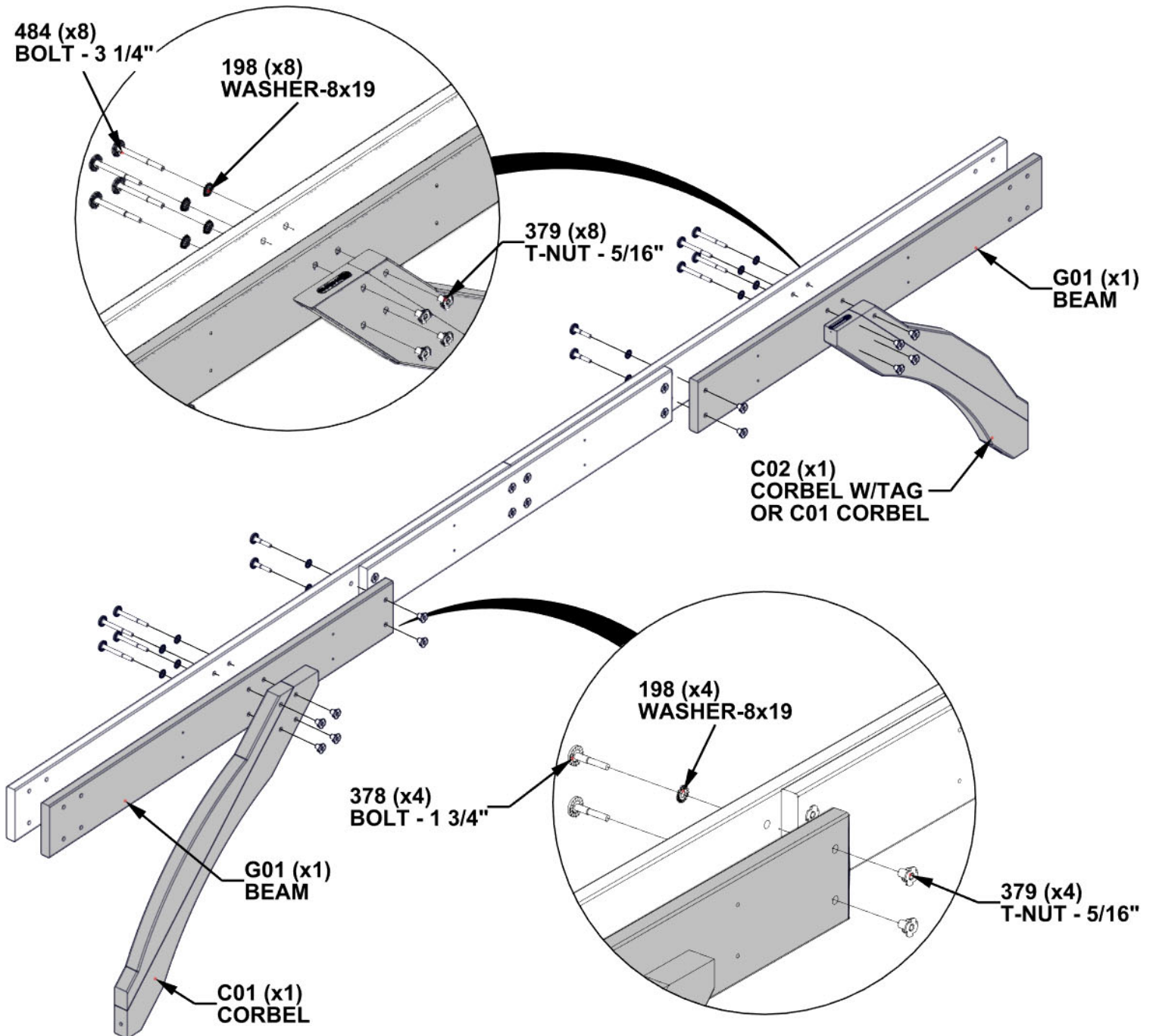


C01 CORBEL - W2A03198
(x1) 1 7/16"x6 7/16"x36 1/4" (36x163x893)



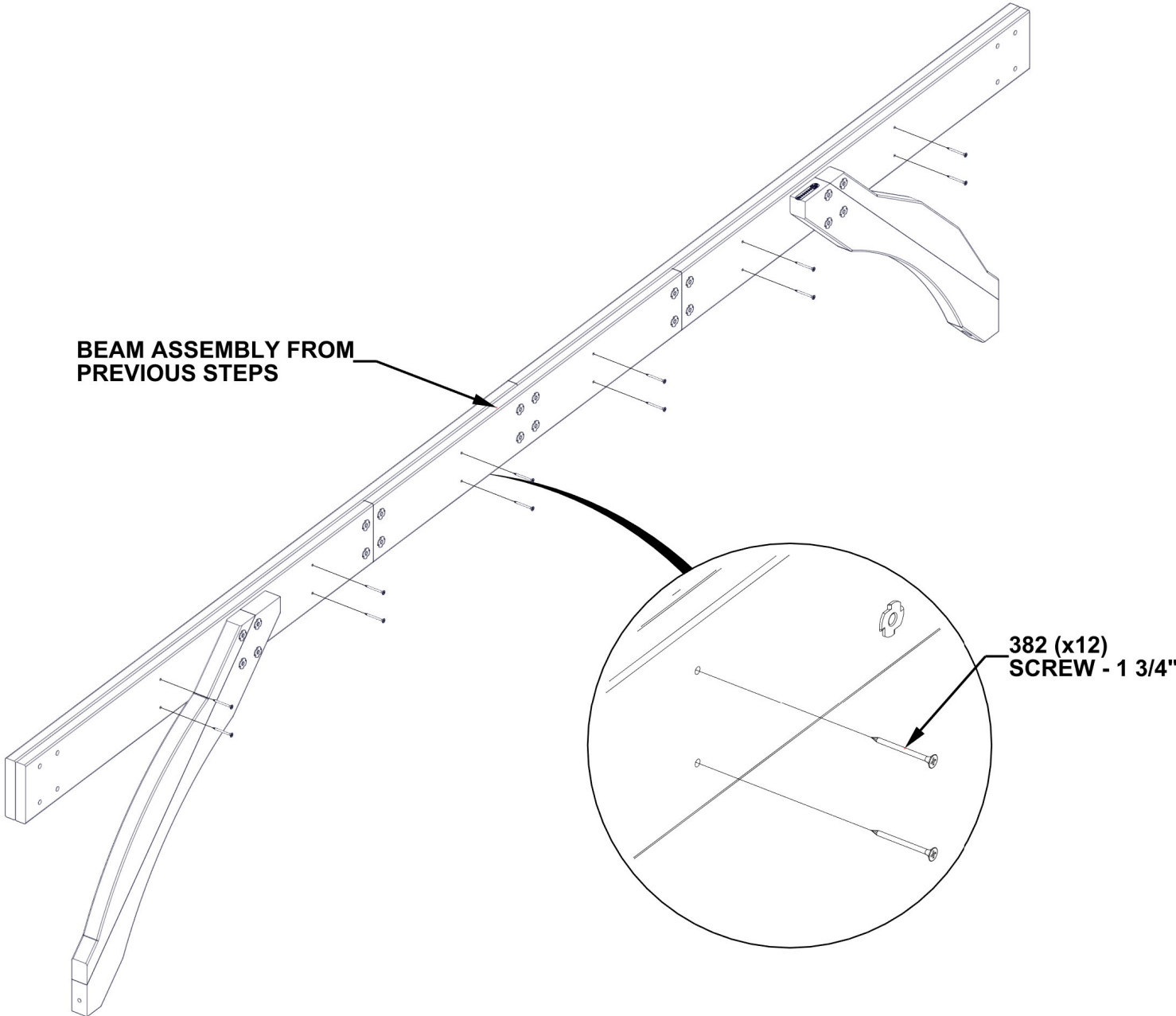
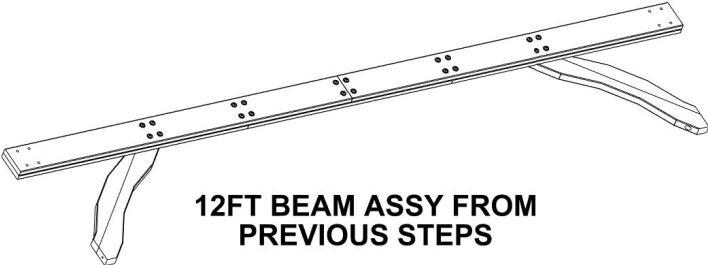
C02 CORBEL W/TAG - W2A03199
(x1) 1 7/16"x6 7/16"x36 1/4" (36x163x893)

INSERT T-NUTS FIRST
CORBELS ARE TO BE HAND TIGHTENED ONLY



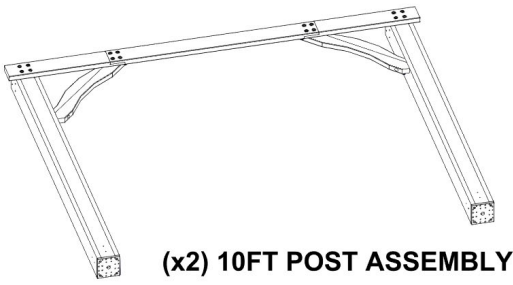
STEP 6 - 12FT BEAM ASSEMBLY

Qty	PART NUMBER	DESCRIPTION
12	H100382	SCREW PFH 8x1 3/4 BLK



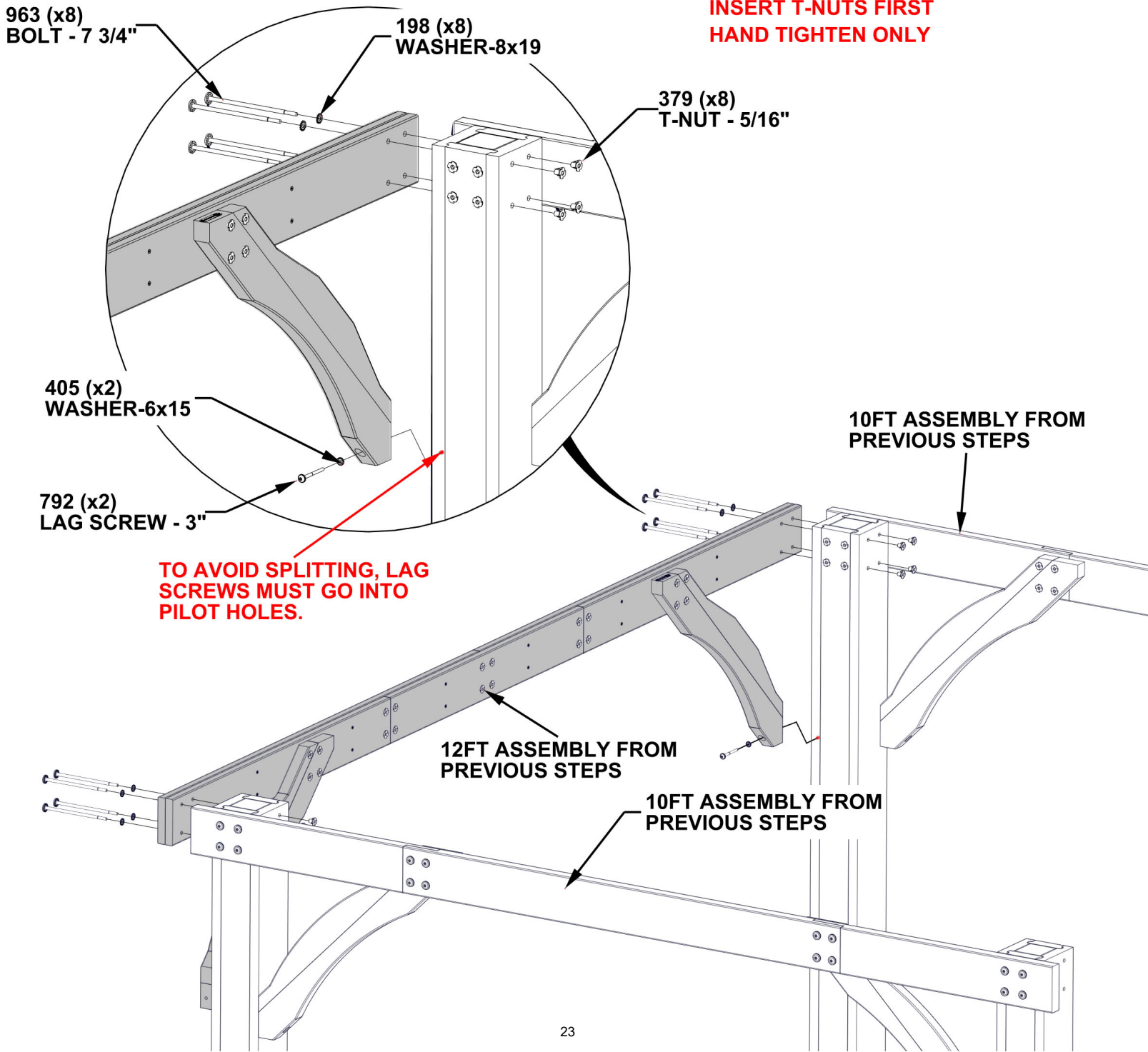
STEP 7 - 12FT BEAM ASSEMBLY

Qty	PART NUMBER	DESCRIPTION
8	H100198	WASHER LOCK EXT 8X19 BLK
8	H100379	T-NUT 5/16 BLK
2	H100405	WASHER LOCK EXT 6X15 BLK
2	H100792	LAG SCREW WH 1/4x3 BLK
8	H100963	BOLT WH 5/16x7 3/4 BLK



TIPS:

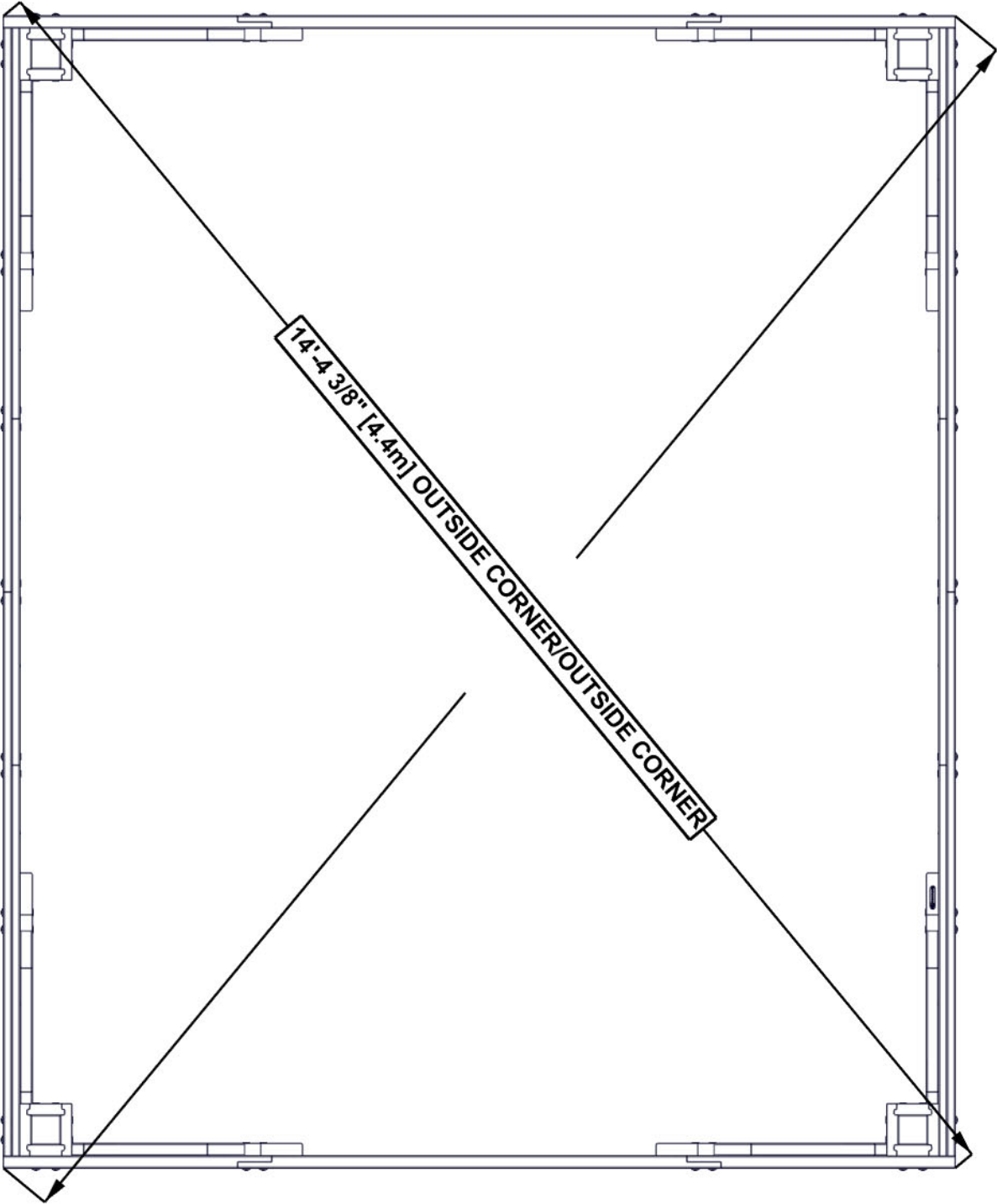
- THREE PEOPLE ARE HELPFUL FOR THIS STEP.
- MOVE THE 10FT POST ASSEMBLIES TO THEIR FINAL LOCATION WITH SOMEONE HOLDING EACH ASSEMBLY UPRIGHT.
- USING A THIRD PERSON, CONNECT THE 12FT BEAM ASSEMBLY TO THE POSTS TO MAKE THE GAZEBO FRAME.



**REPEAT STEPS 4 THROUGH 7 FOR OPPOSITE
12FT BEAM ASSEMBLY**

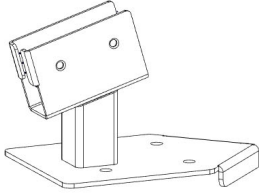
STEP 8

**CRITICAL: SQUARE UNIT BEFORE PROCEEDING TO NEXT STEPS.
ONCE SQUARE, TIGHTEN ALL HARDWARE**



TOP VIEW

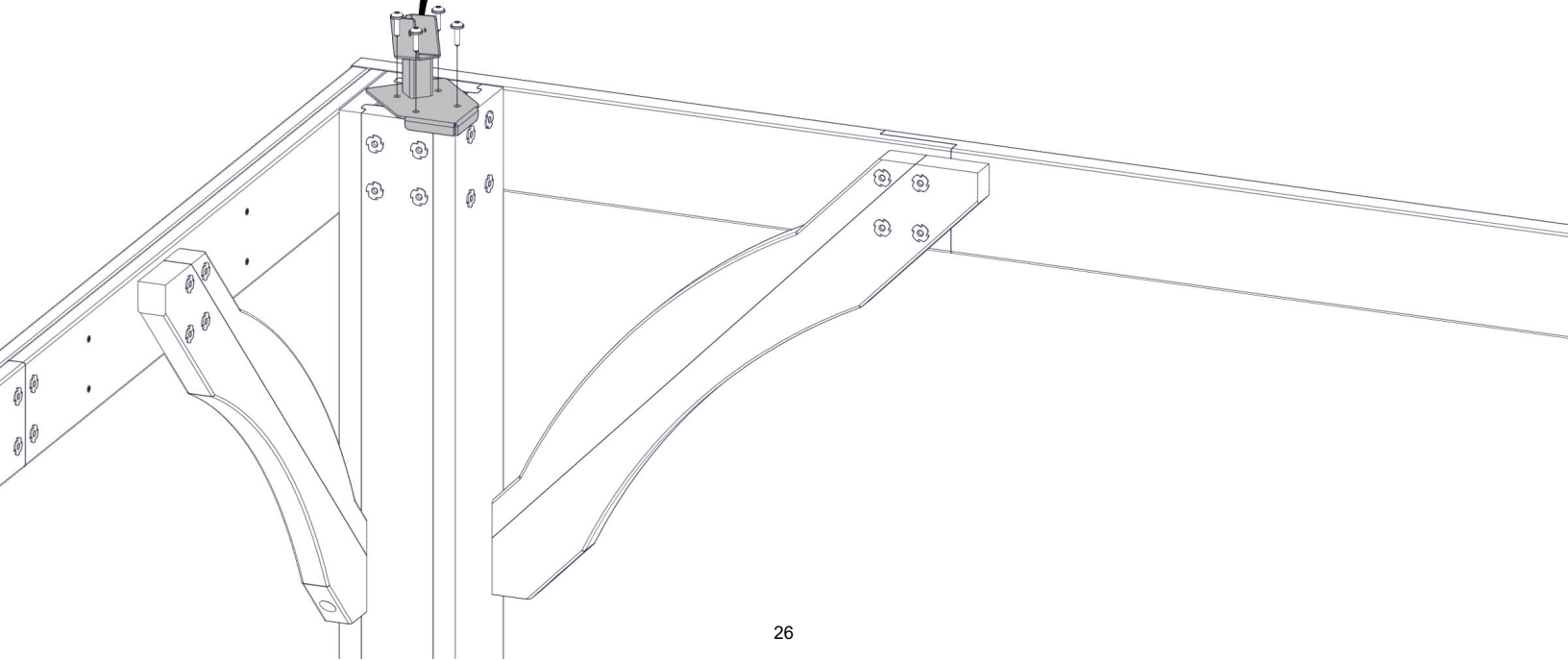
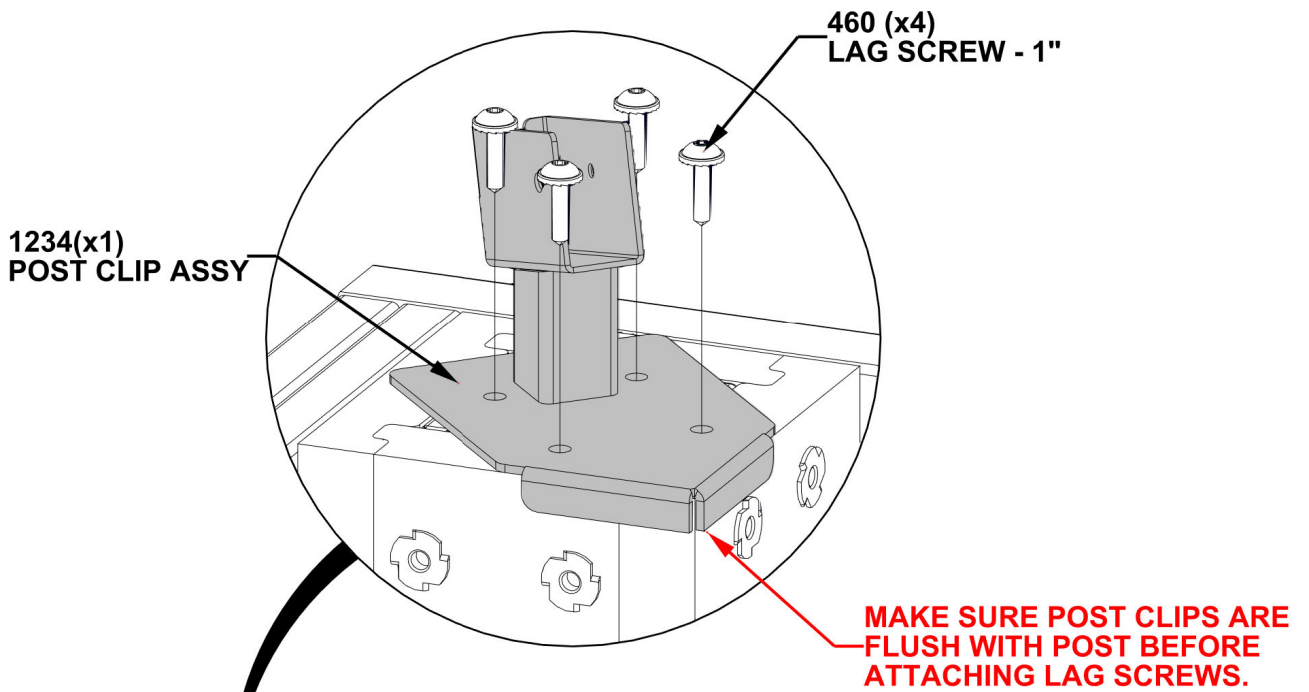
STEP 9 - ROOF SUPPORT ASSEMBLY



Qty	PART NUMBER	DESCRIPTION
16	H100460	LAG SCREW WH 1/4x1 BLK

A4M01234 POST CLIP
(x4)

REPEAT ON ALL FOUR POSTS
DO NOT OVERTIGHTEN

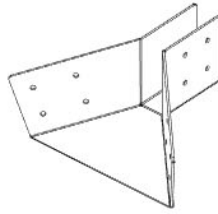


STEP 10 - ROOF SUPPORT ASSEMBLY

Qty	PART NUMBER	DESCRIPTION
2	H100379	T-NUT 5/16 BLK
8	H100385	SCREW PFH 8x1 BLK

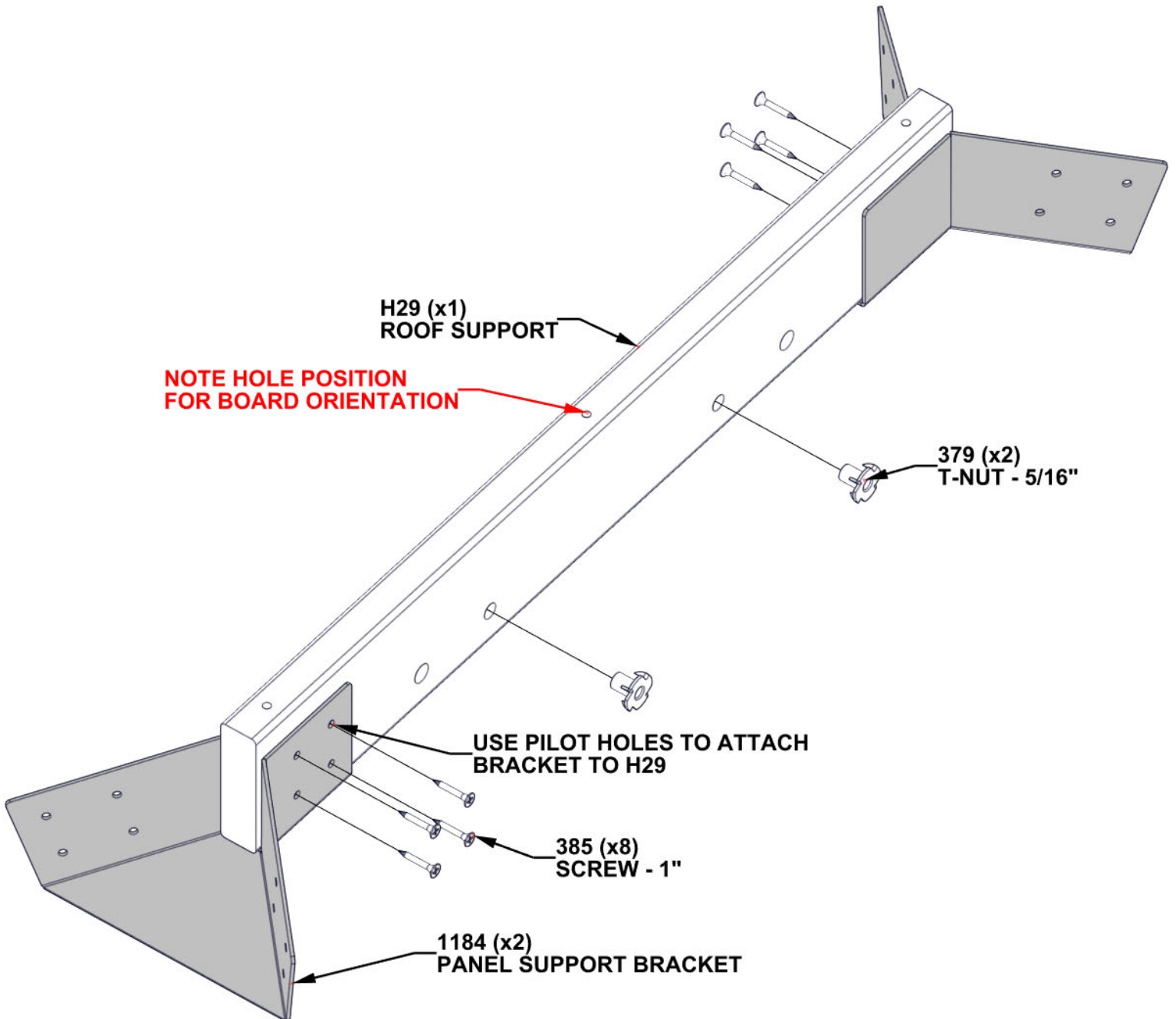


H29 ROOF SUPPORT - W4L15160
(x1) 15/16"x3 3/8"x24" (24x86x610)



A4M01184 PANEL SUPPORT BRACKET
(x2)

INSERT T-NUTS FIRST



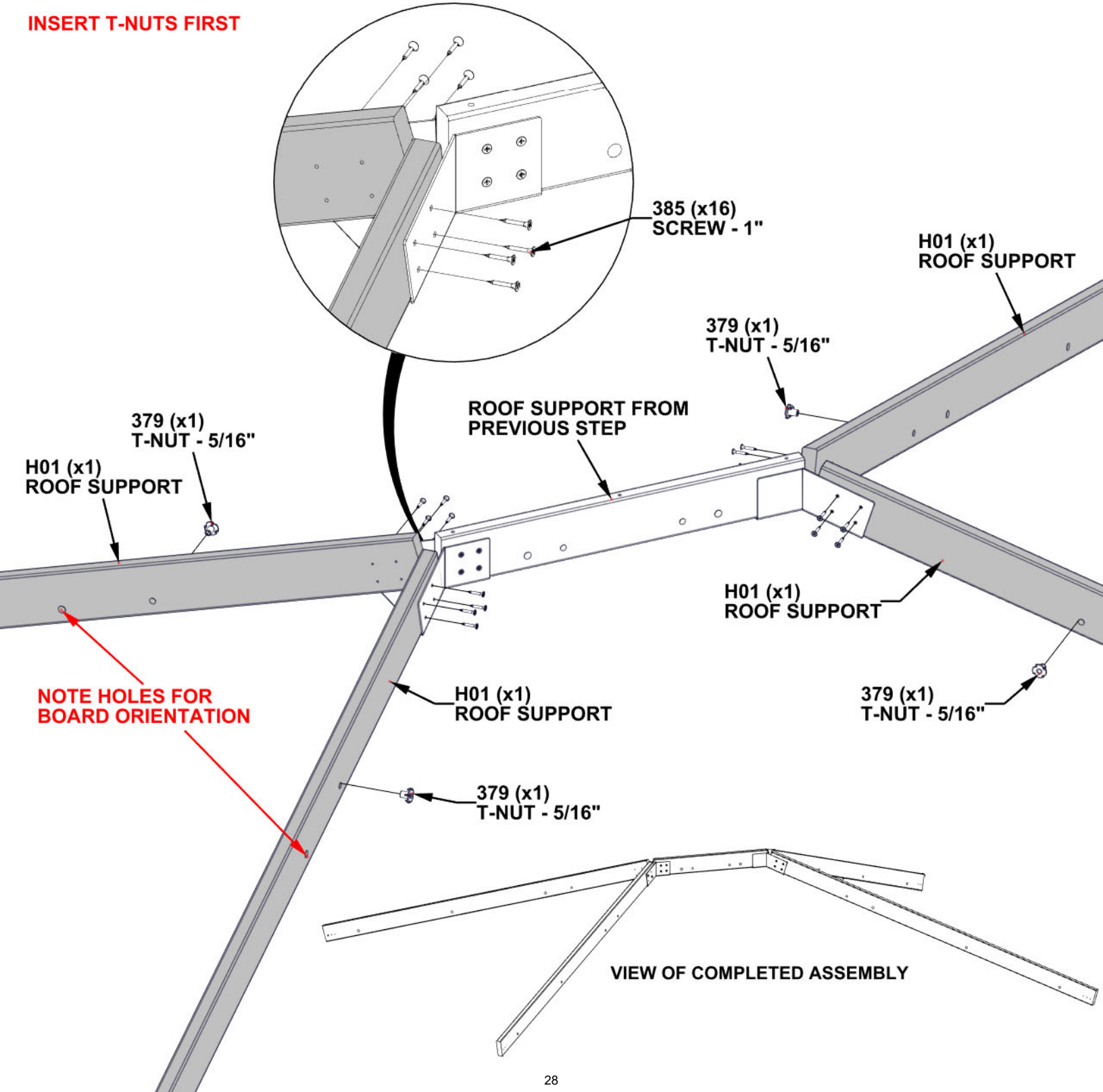
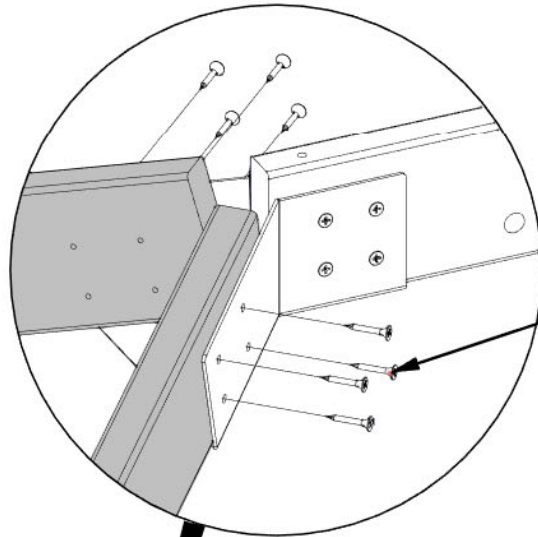
STEP 11 - ROOF SUPPORT ASSEMBLY

Qty	PART NUMBER	DESCRIPTION
4	H100379	T-NUT 5/16 BLK
16	H100385	SCREW PFH 8x1 BLK



H01 ROOF SUPPORT - W4L16781
 (x4) 15/16"x3 3/8"x75 3/16" (24x86x1909)

INSERT T-NUTS FIRST

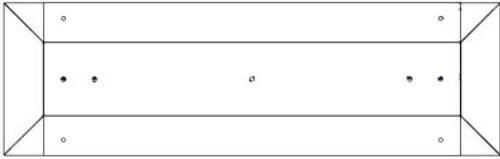


NOTE HOLES FOR BOARD ORIENTATION

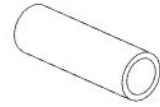
VIEW OF COMPLETED ASSEMBLY

STEP 12 - ROOF SUPPORT ASSEMBLY

Qty	PART NUMBER	DESCRIPTION
3	H100792	LAG SCREW WH 1/4x3 BLK
3	H101034	WEATHER PROOFING WASHER



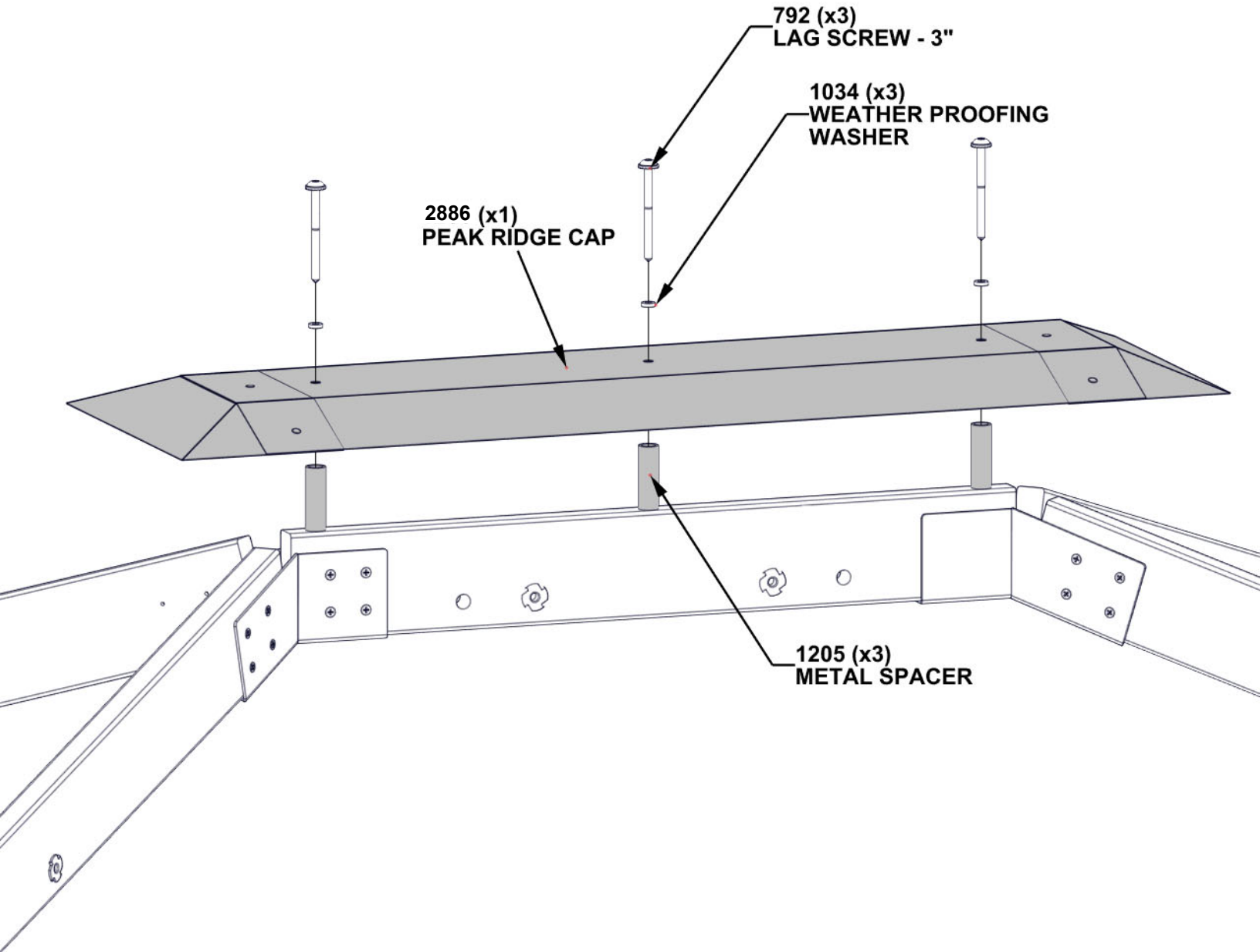
A4M02886 PEAK RIDGE CAP
(x1)



A4M01205 METAL SPACER
(x3)

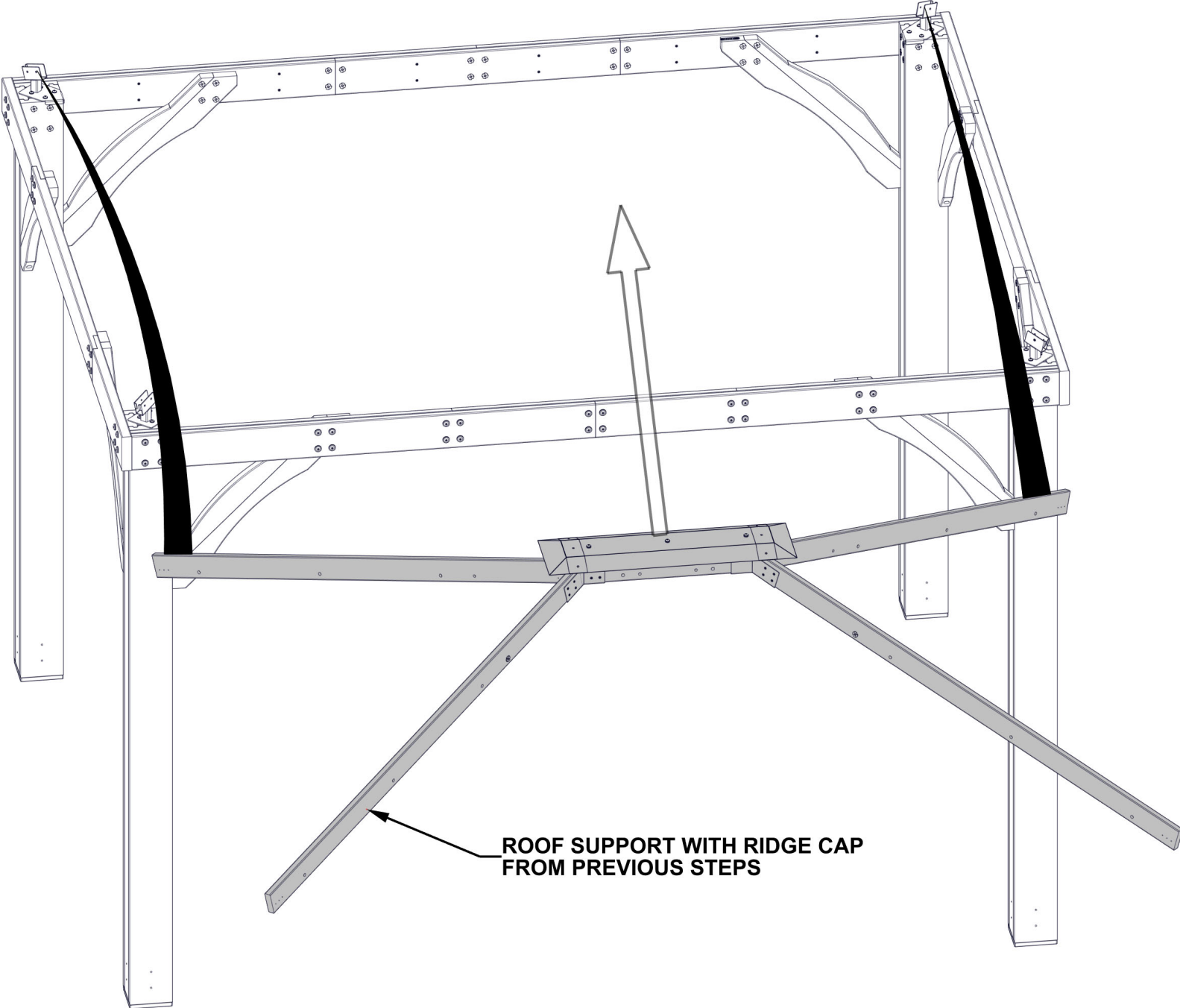
TIPS:
 • REMOVE PROTECTIVE BLUE FILM BEFORE ASSEMBLY

WARNING: GLOVES ARE RECOMMENDED WHEN HANDLING STEEL ROOF PIECES



STEP 13 SUPPORT ASSEMBLY

- THREE PEOPLE ARE HELPFUL FOR THIS STEP.
- POSITION A PERSON ON A LADDER IN THE CENTER OF THE BASE.
- LIFT ROOF SUPPORT UP AND OVER THE 12FT SIDE AND INSERT INTO CORNER POST CLIPS.

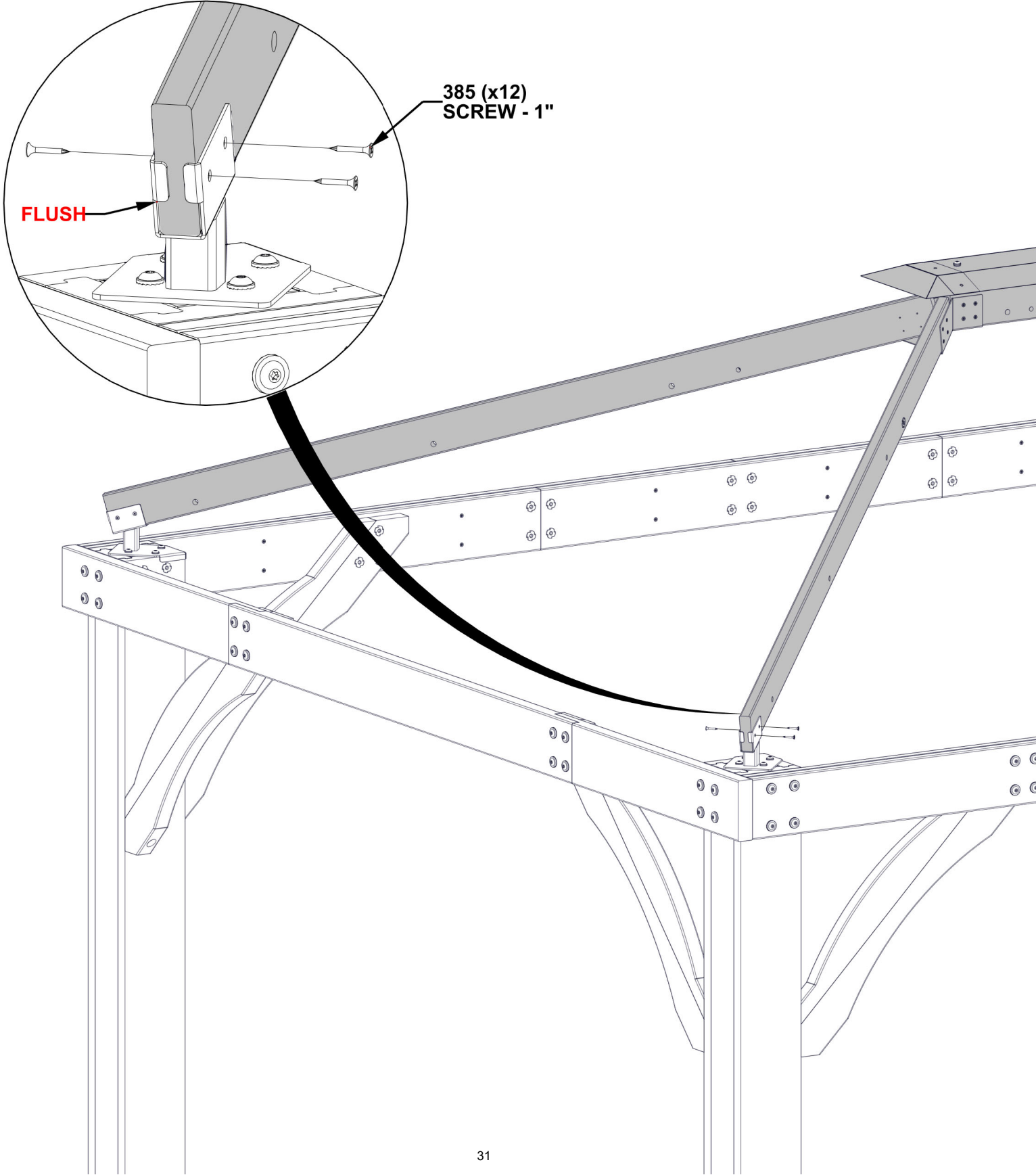


**ROOF SUPPORT WITH RIDGE CAP
FROM PREVIOUS STEPS**

STEP 14 ROOF SUPPORT ASSEMBLY

Qty	PART NUMBER	DESCRIPTION
12	H100385	SCREW PFH 8x1 BLK

REPEAT ON ALL POSTS

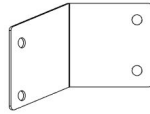


STEP 15 - 12FT ROOF PANEL ASSEMBLY

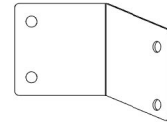
Qty	PART NUMBER	DESCRIPTION
4	H100171	BOLT WH 1/4x1 BLK
4	H100398	TNUT-1/4" BLK



H02 ROOF JOIST - W4L16782
(x1) 15/16"x3 3/8"x25 9/16" (24x86x648)

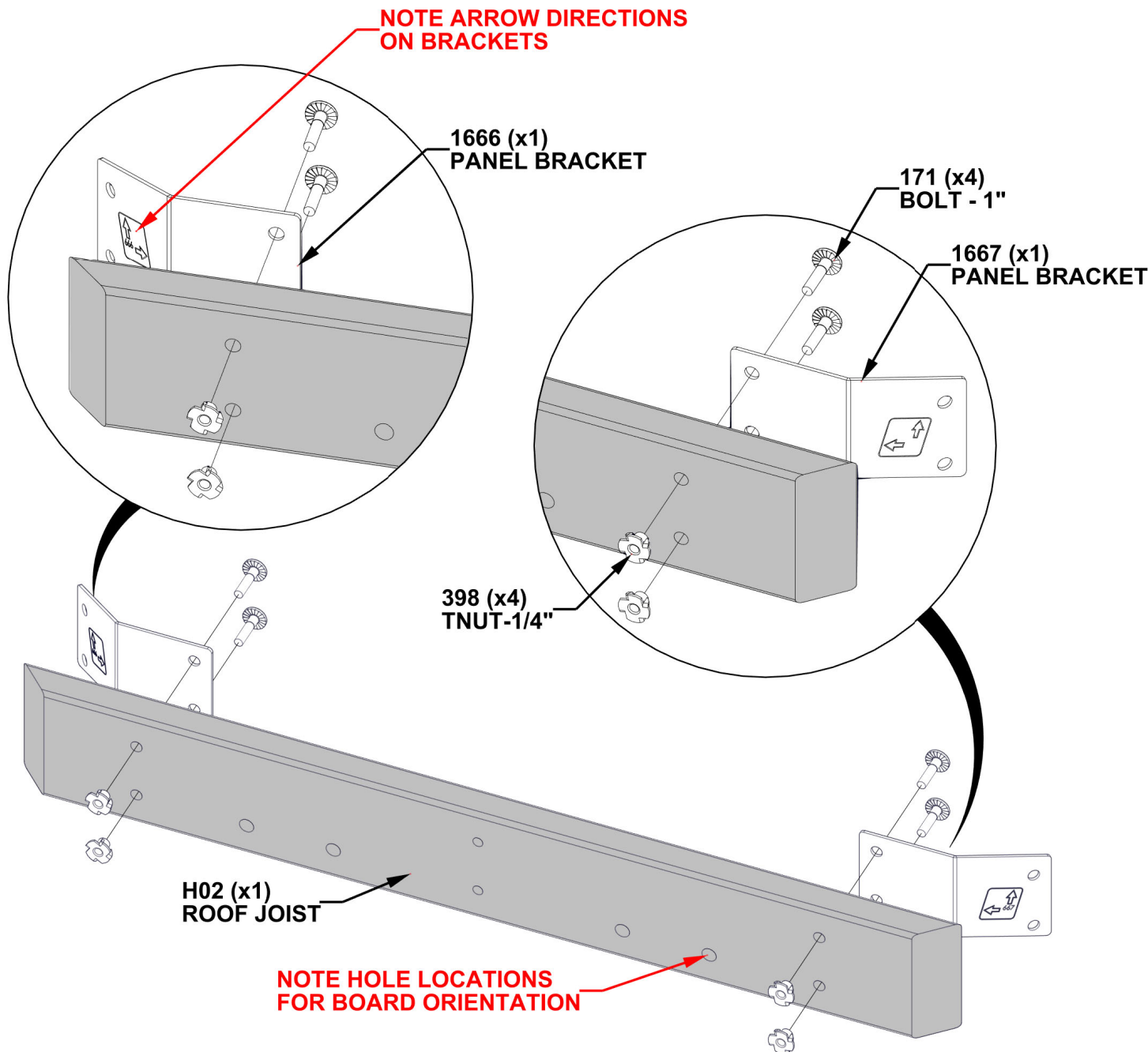


A4M01667 PANEL BRACKET
(x1)

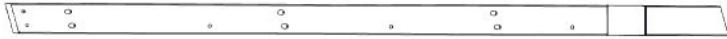


A4M01666 PANEL BRACKET
(x1)

**INSERT T-NUTS FIRST
HAND TIGHTEN ONLY**



STEP 16 - 12FT ROOF PANEL ASSEMBLY

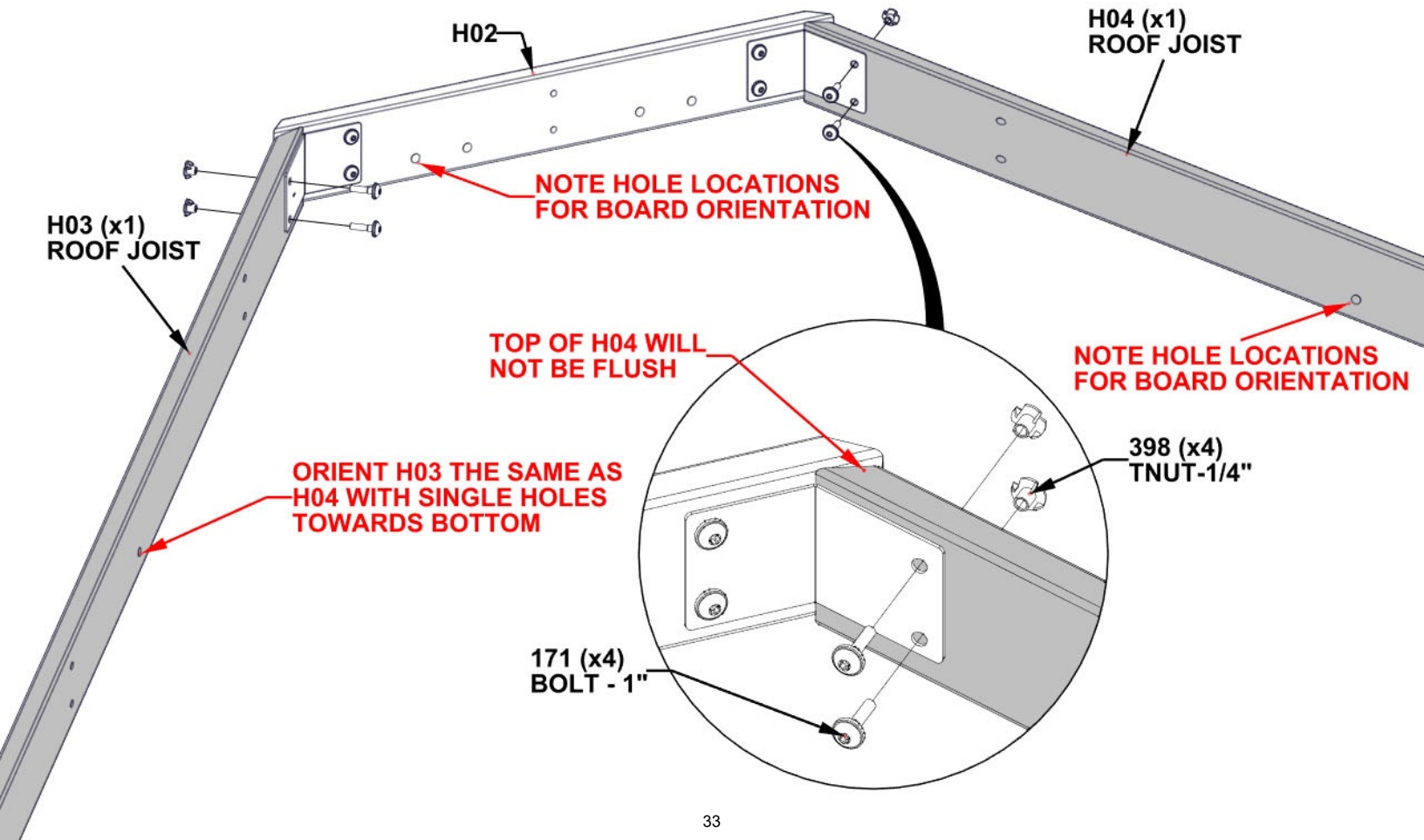
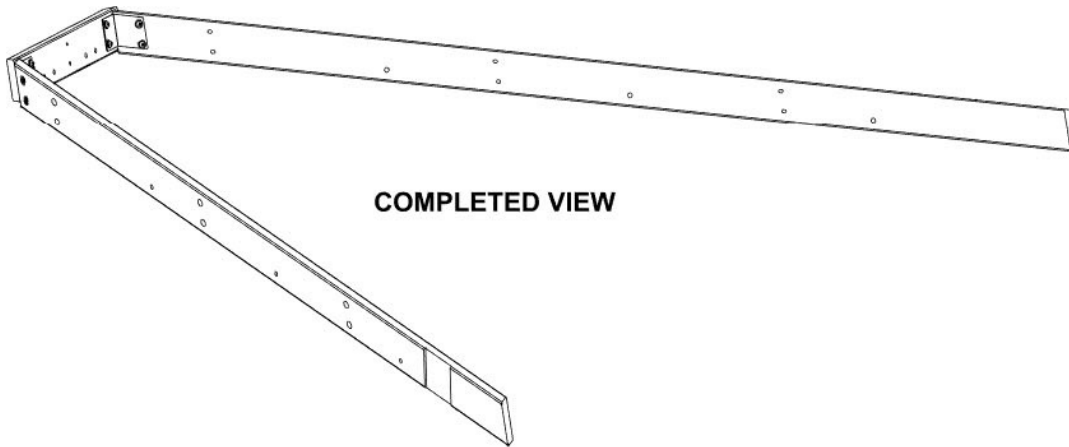


H03 ROOF JOIST - W4L16783
(x1) 15/16"x3 3/8"x86 3/4" (24x86x2203)

Qty	PART NUMBER	DESCRIPTION
4	H100171	BOLT WH 1/4x1 BLK
4	H100398	TNUT-1/4" BLK



H04 ROOF JOIST - W4L16784
(x1) 15/16"x3 3/8"x85 3/4" (24x86x2203)



STEP 17A - 12FT ROOF PANEL ASSEMBLY

Qty	PART NUMBER	DESCRIPTION
6	H101030	SCREW CONFIRMAT 7x2 BLK



E03 RAFTER - W4L16788
(x1) 1 7/16"x3 3/8"x58 1/8" (36x86x1477)

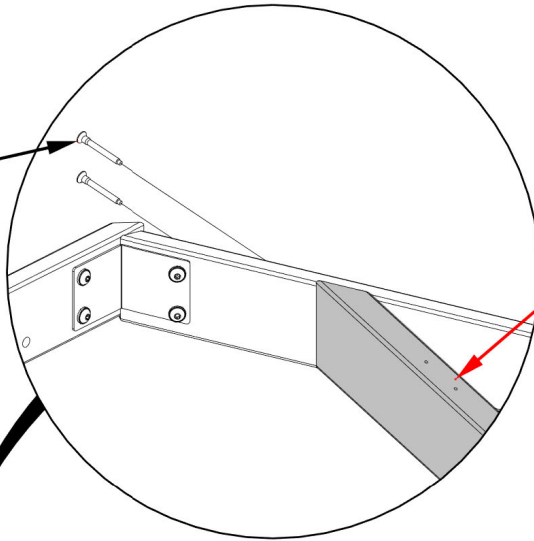


E05 RAFTER - W4L16790
(x1) 1 7/16"x3 3/8"x58 1/8" (36x86x1477)



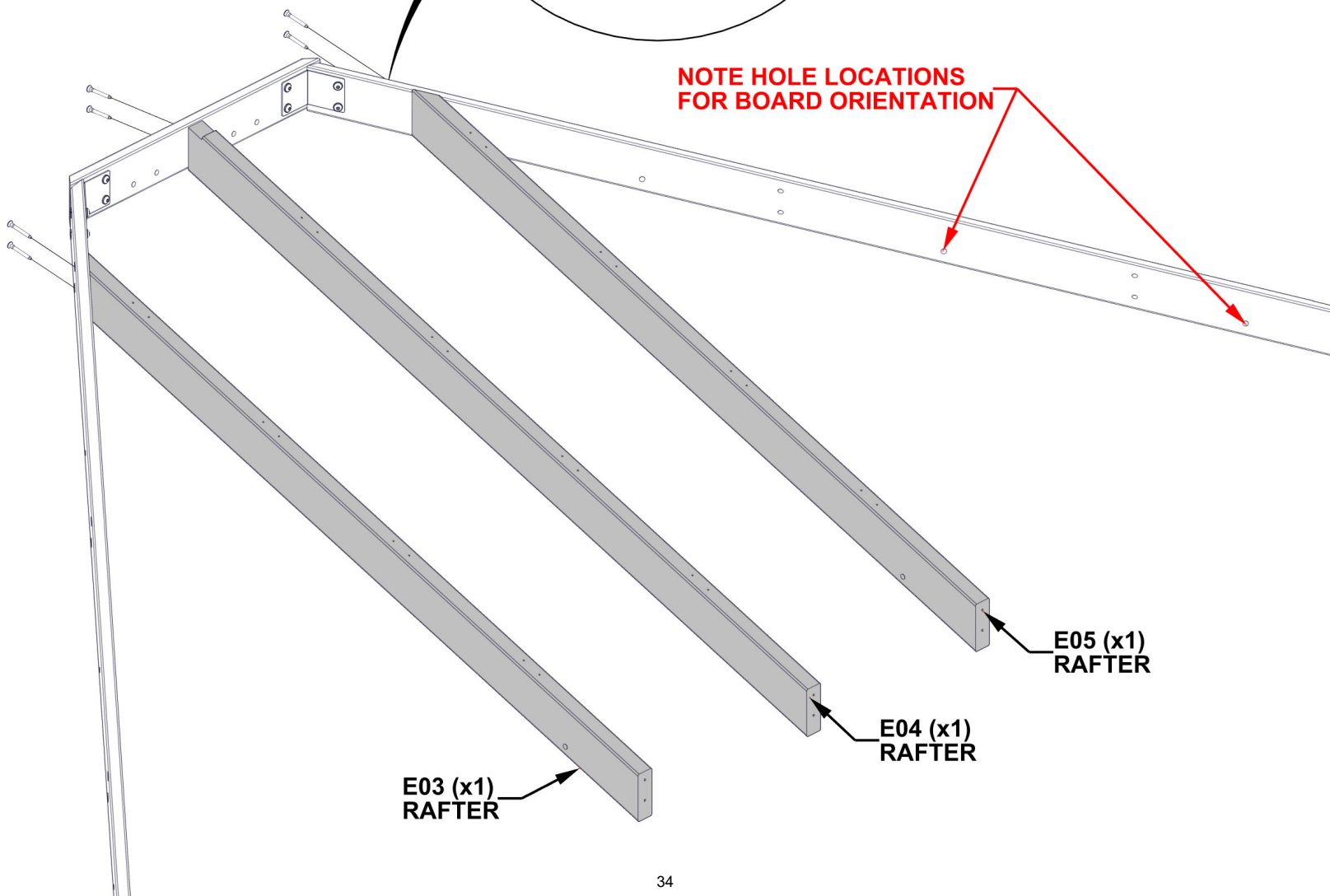
E04 RAFTER - W4L16789
(x1) 1 7/16"x3 3/8"x63 11/16" (36x86x1617)

1030 (x6)
CONFIRMAT SCREW - 2"



NOTE PILOT HOLES ARE TO FACE UP ON ALL RAFTERS

NOTE HOLE LOCATIONS FOR BOARD ORIENTATION



E05 (x1)
RAFTER

E04 (x1)
RAFTER

E03 (x1)
RAFTER

STEP 17B - 12FT ROOF PANEL ASSEMBLY

Qty	PART NUMBER	DESCRIPTION
8	H101030	SCREW CONFIRMAT 7x2 BLK

E01 RAFTER - W4L16786
(x1) 1 7/16"x3 3/8"x20 13/16" (36x86x528)



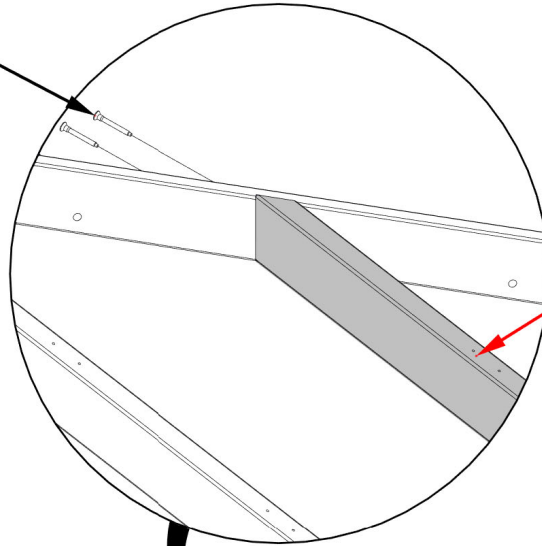
E02 RAFTER - W4L16787
(x1) 1 7/16"x3 3/8"x39 7/16" (36x86x1002)

E06 RAFTER - W4L16791
(x1) 1 7/16"x3 3/8"x39 7/16" (36x86x1002)

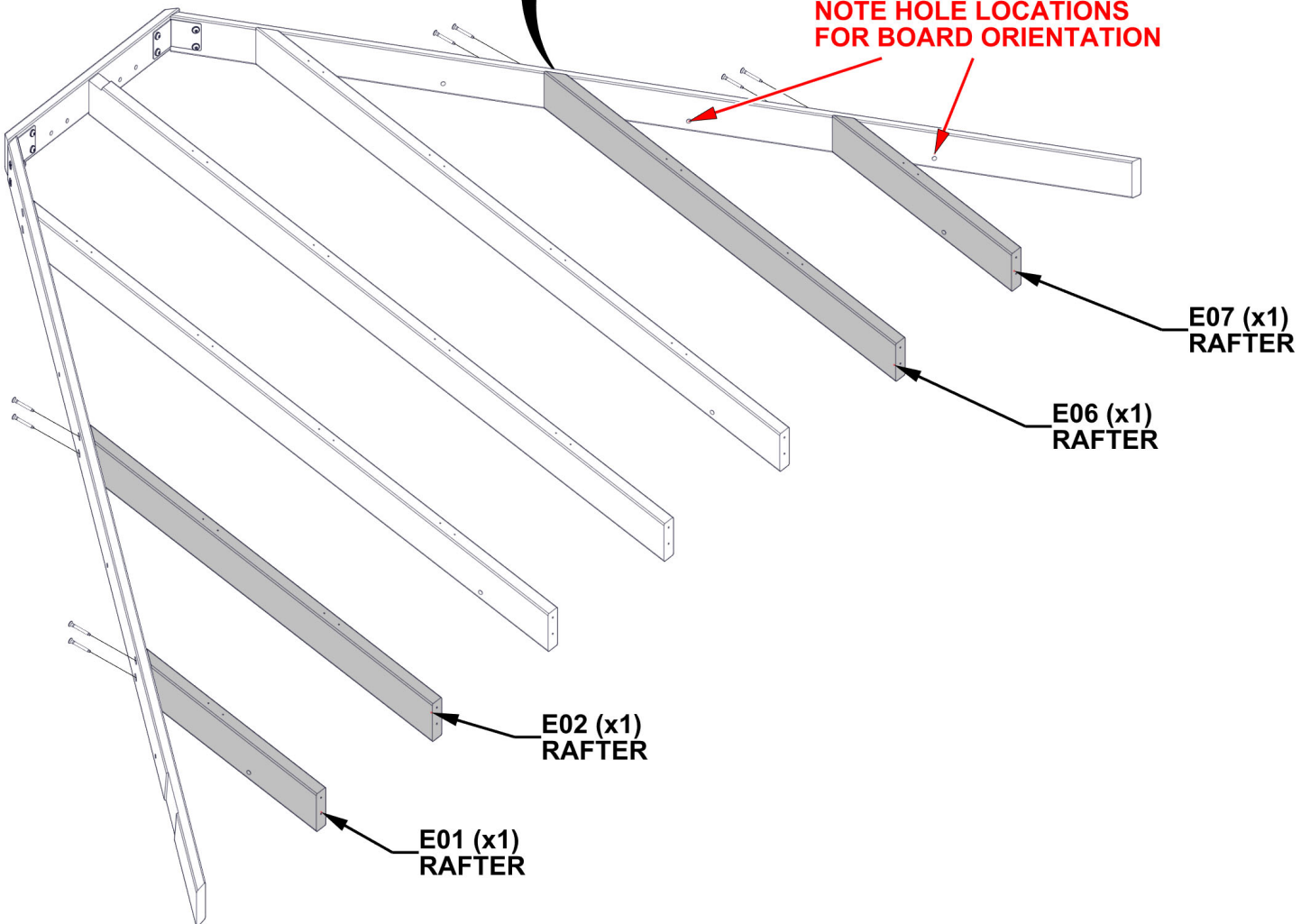


E07 RAFTER - W4L16792
(x1) 1 7/16"x3 3/8"x20 13/16" (36x86x528)

030 (x8)
CONFIRMAT SCREW - 2"



NOTE HOLE LOCATIONS
FOR BOARD ORIENTATION



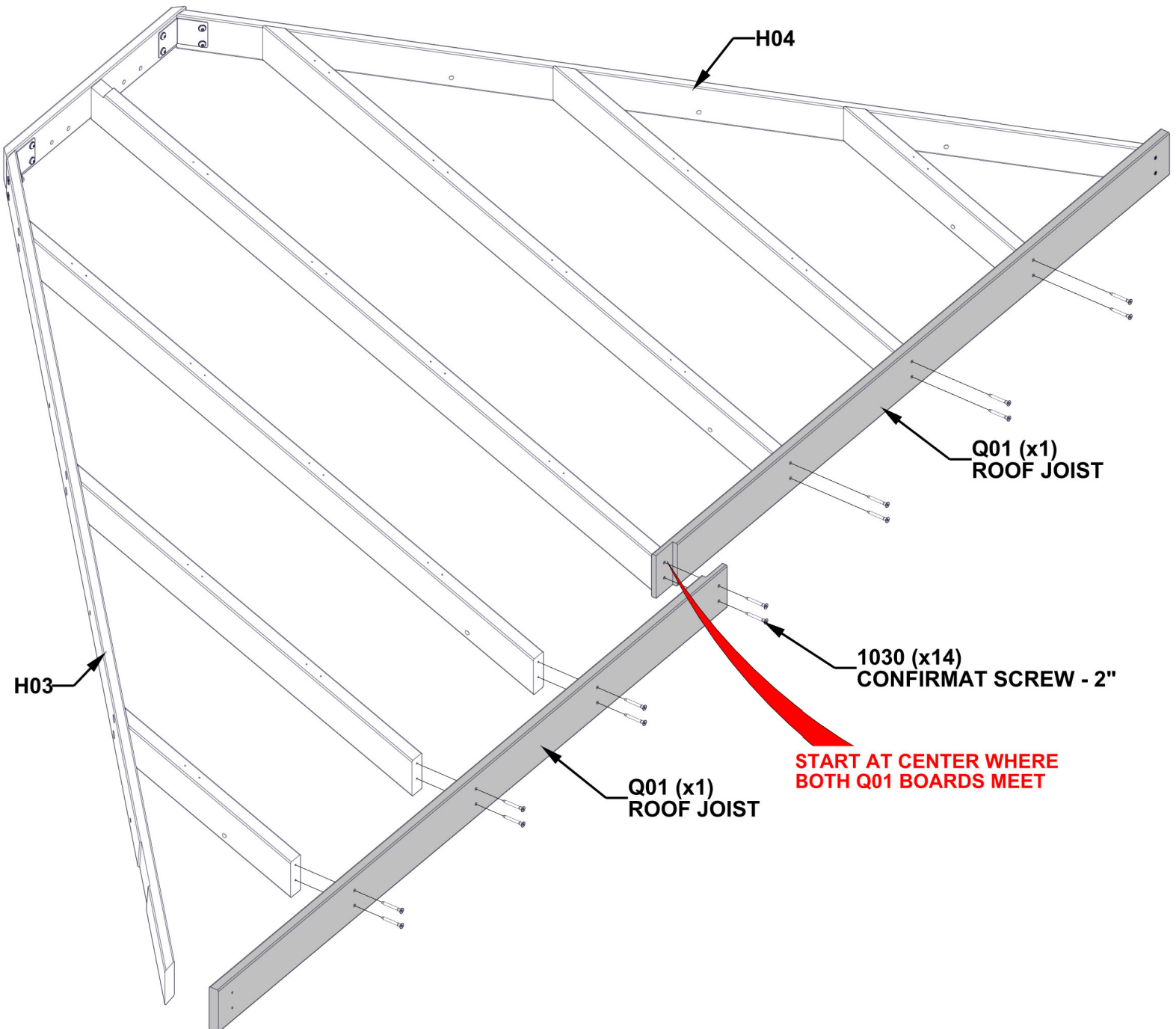
STEP 18A - 12FT ROOF PANEL ASSEMBLY

Qty	PART NUMBER	DESCRIPTION
4	H100382	SCREW PFH 8x1 3/4 BLK
14	H101030	SCREW CONFIRMAT 7x2 BLK



Q01 ROOF JOIST - W4L16785
 (x2) 15/16"4 7/16"72 1/4" (24x112x1835)

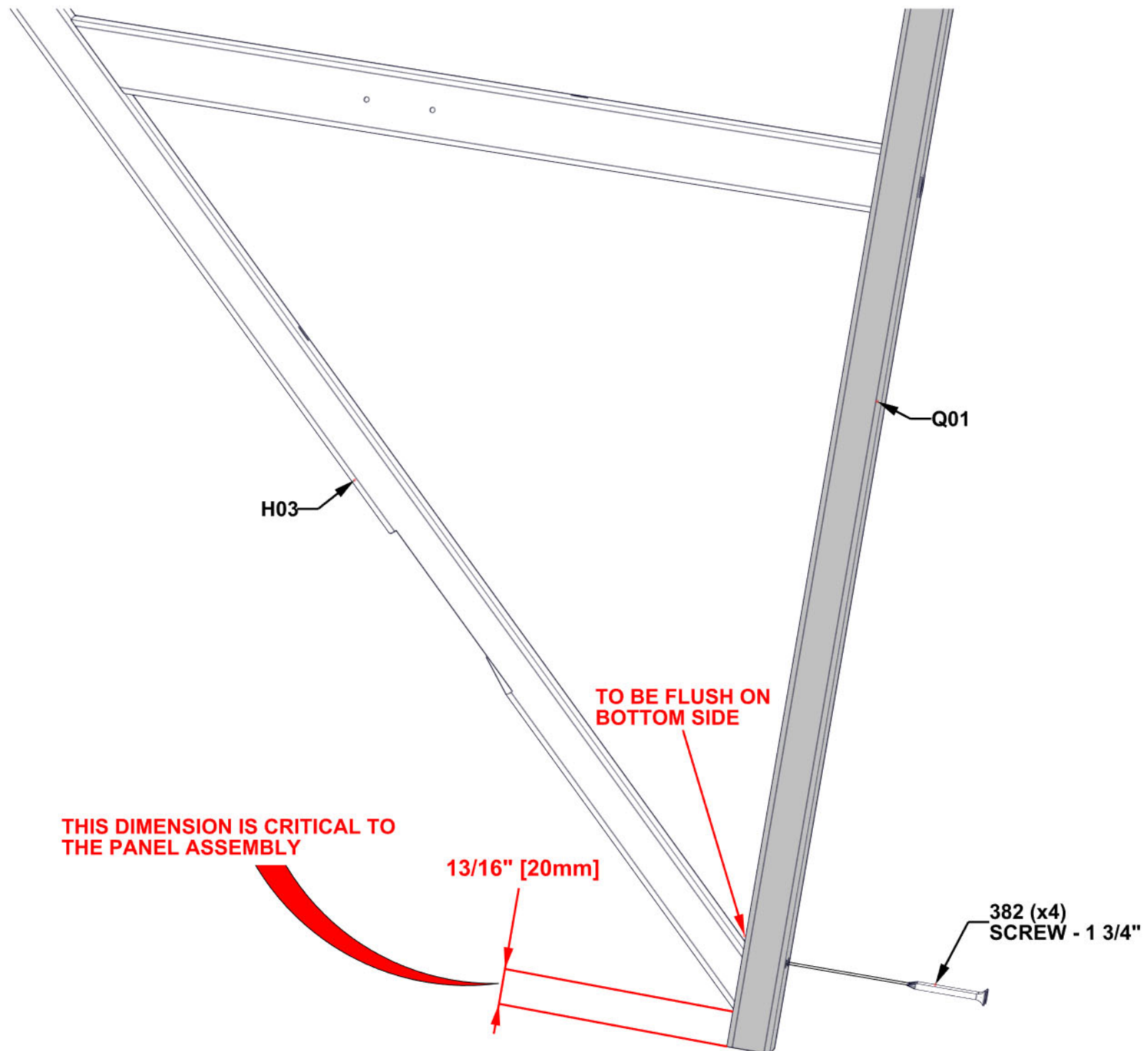
TIP:
 • RAFTERS MAY NEED TO BE LOOSENED TO ATTACH Q01 TO H03/H04



STEP 18B - 12FT ROOF PANEL ASSEMBLY

TIPS:

- USING THE Q01 BOARD AS A GUIDE AND A 1/8" DRILL BIT, DRILL PILOT HOLES INTO THE H03 BOARDS USING THE DIMENSION BELOW.
- REPEAT ON OPPOSITE END WITH H04 BOARD.

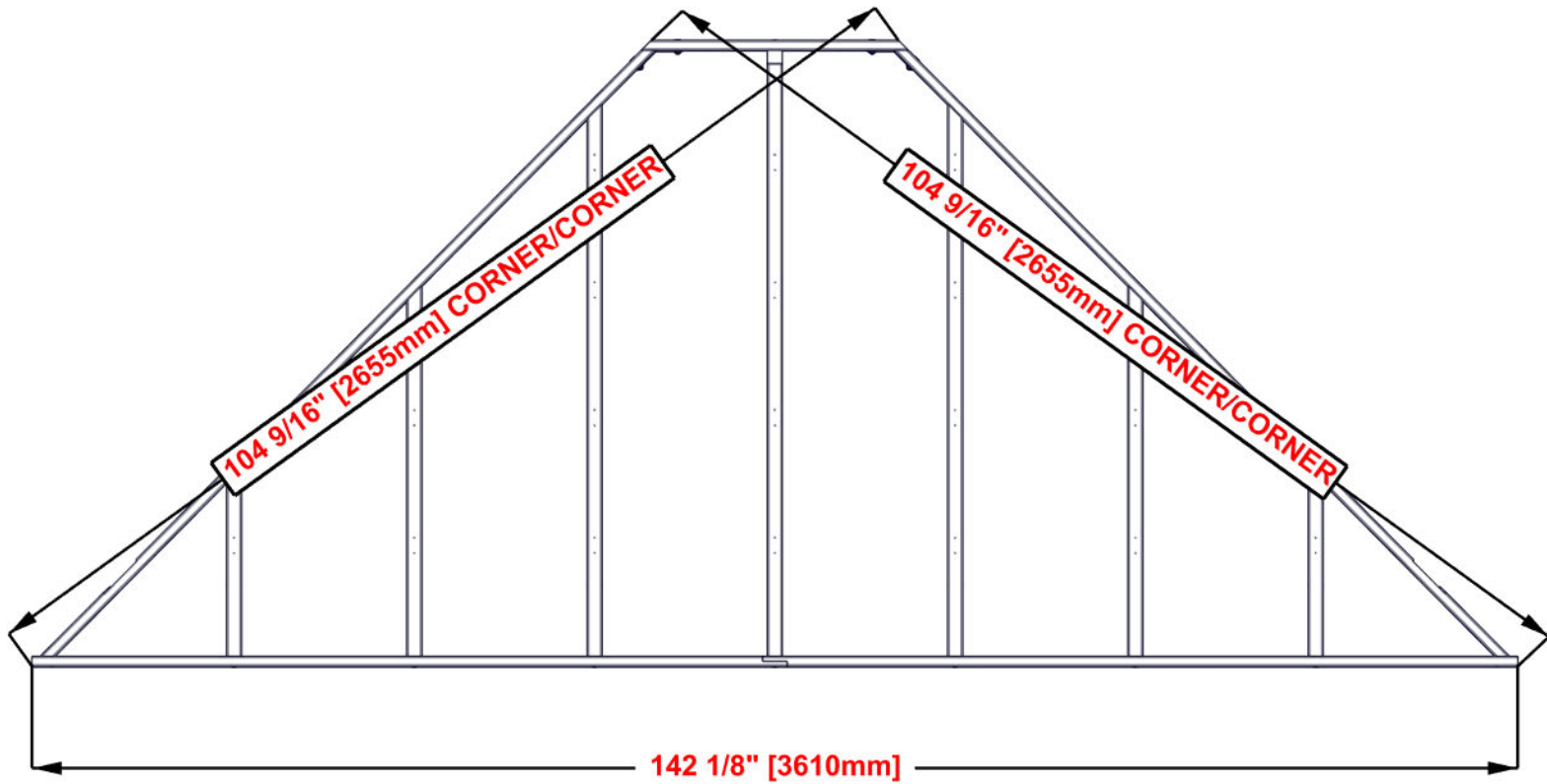


STEP 18C - 12FT ROOF PANEL ASSEMBLY

- TIP:
- LOOSEN HARDWARE TO ADJUST FOR SQUARING IF NEEDED

CRITICAL:

- SQUARE UNIT BEFORE PROCEEDING TO NEXT STEPS.
- THE BELOW DIMENSIONS ARE CRITICAL TO THE FINAL ROOF ASSEMBLY.
- MEASUREMENTS SHOULD BE WITHIN +/- 1/4"
- MEASUREMENTS OUTSIDE OF TOLERANCE WILL LEAD TO THE INABILITY TO ASSEMBLE THE ROOF.
- TIGHTEN ALL HARDWARE.



STEP 19A - 12FT ROOF PANEL ASSEMBLY

T01 PURLIN - W4L16799
 (x1) 15/16"x1 5/16"x27 7/8" (24x34x708)

Qty	PART NUMBER	DESCRIPTION
22	H100391	SCREW PFH 8x2 BLK

H10 PURLIN - W4L16798
 (x1) 15/16"x3 3/8"x51 1/8" (24x86x1299)

H09 PURLIN - W4L16797
 (x1) 15/16"x3 3/8"x75 1/4" (24x86x1912)

TIPS:

- ALIGN PURLIN PILOT HOLES WITH RAFTER PILOT HOLES.
- ATTACH SCREWS FROM THE CENTER AND WORK OUTWARDS.
- H03/H04 BOARDS DO NOT HAVE PILOT HOLES FOR OUTSIDE EDGE BOARDS.
- USING THE PURLINS AS A GUIDE AND A 1/8" DRILL BIT, DRILL PILOT HOLES INTO H03/H04 BOARDS.

IF PURLINS OVERHANG MORE THAN 5/8", CUT DOWN TO 5/8"

NOTE T01 IS TO BE FLUSH & WILL NOT OVERHANG SIDES.

OUTSIDE EDGE SCREWS

PURLIN

5/8"
[16mm]

JOIST FROM PREVIOUS STEP

T01 (x1)
PURLIN

391(x22)
SCREW - 2"

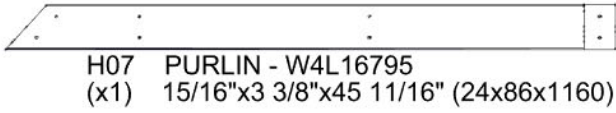
H10 (x1)
PURLIN

H04

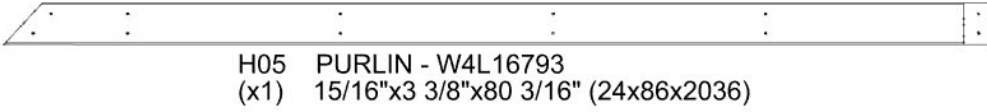
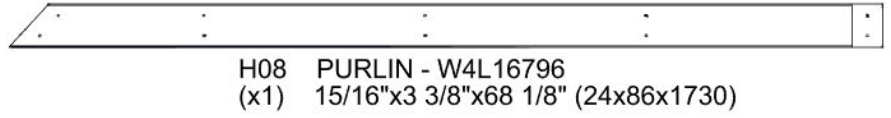
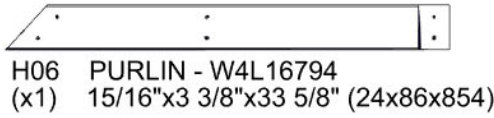
H09 (x1)
PURLIN

H03

STEP 19B - 12FT ROOF PANEL ASSEMBLY



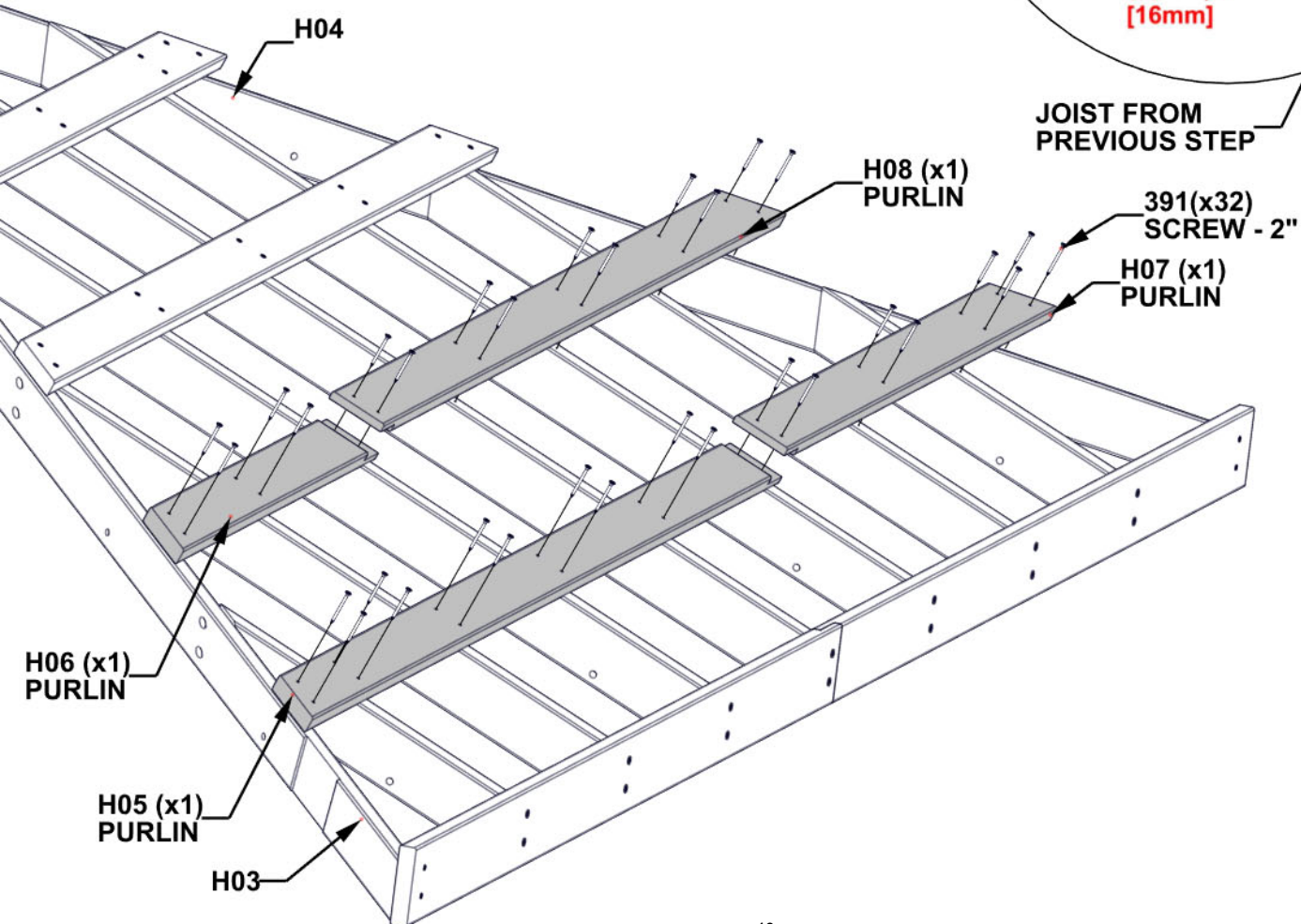
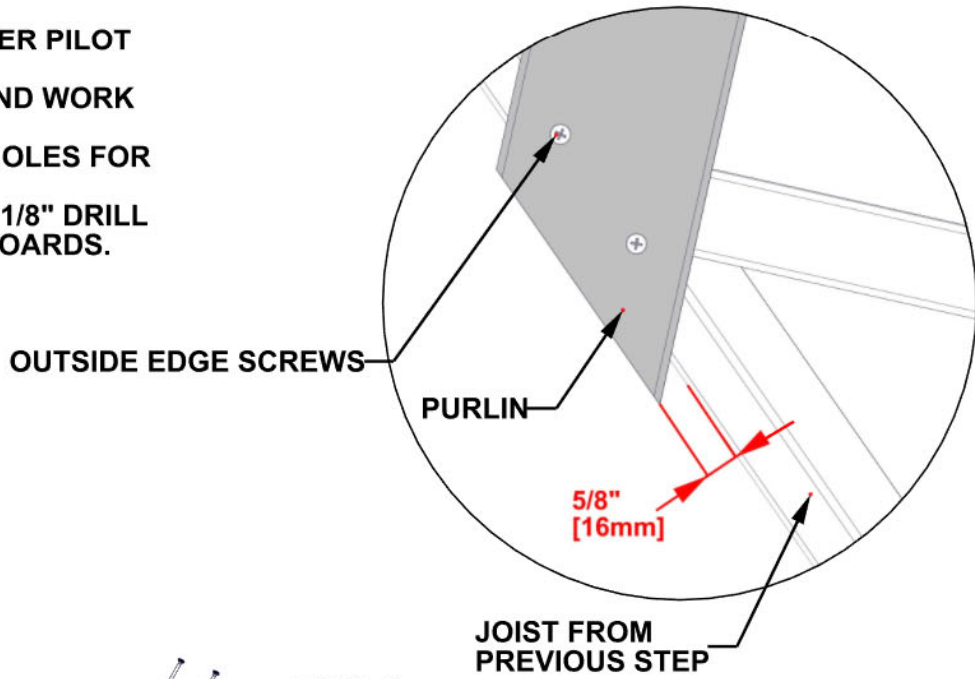
Qty	PART NUMBER	DESCRIPTION
32	H100391	SCREW PFH 8x2 BLK



TIPS:

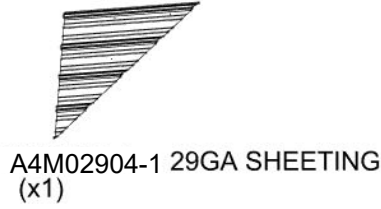
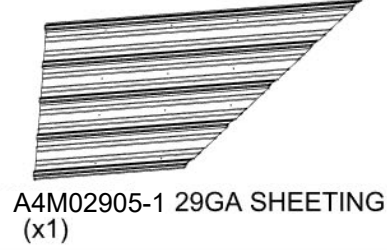
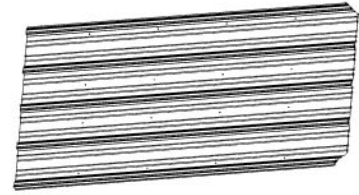
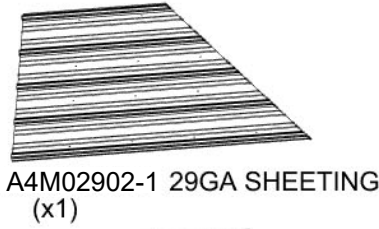
- ALIGN PURLIN PILOT HOLES WITH RAFTER PILOT HOLES.
- ATTACH SCREWS FROM THE CENTER AND WORK OUTWARDS.
- H03/H04 BOARDS DO NOT HAVE PILOT HOLES FOR OUTSIDE EDGE BOARDS.
- USING THE PURLINS AS A GUIDE AND A 1/8" DRILL BIT, DRILL PILOT HOLES INTO H03/H04 BOARDS.

IF PURLINS OVERHANG MORE THAN 5/8", CUT DOWN TO 5/8"



STEP 20 - 12FT ROOF PANEL ASSEMBLY

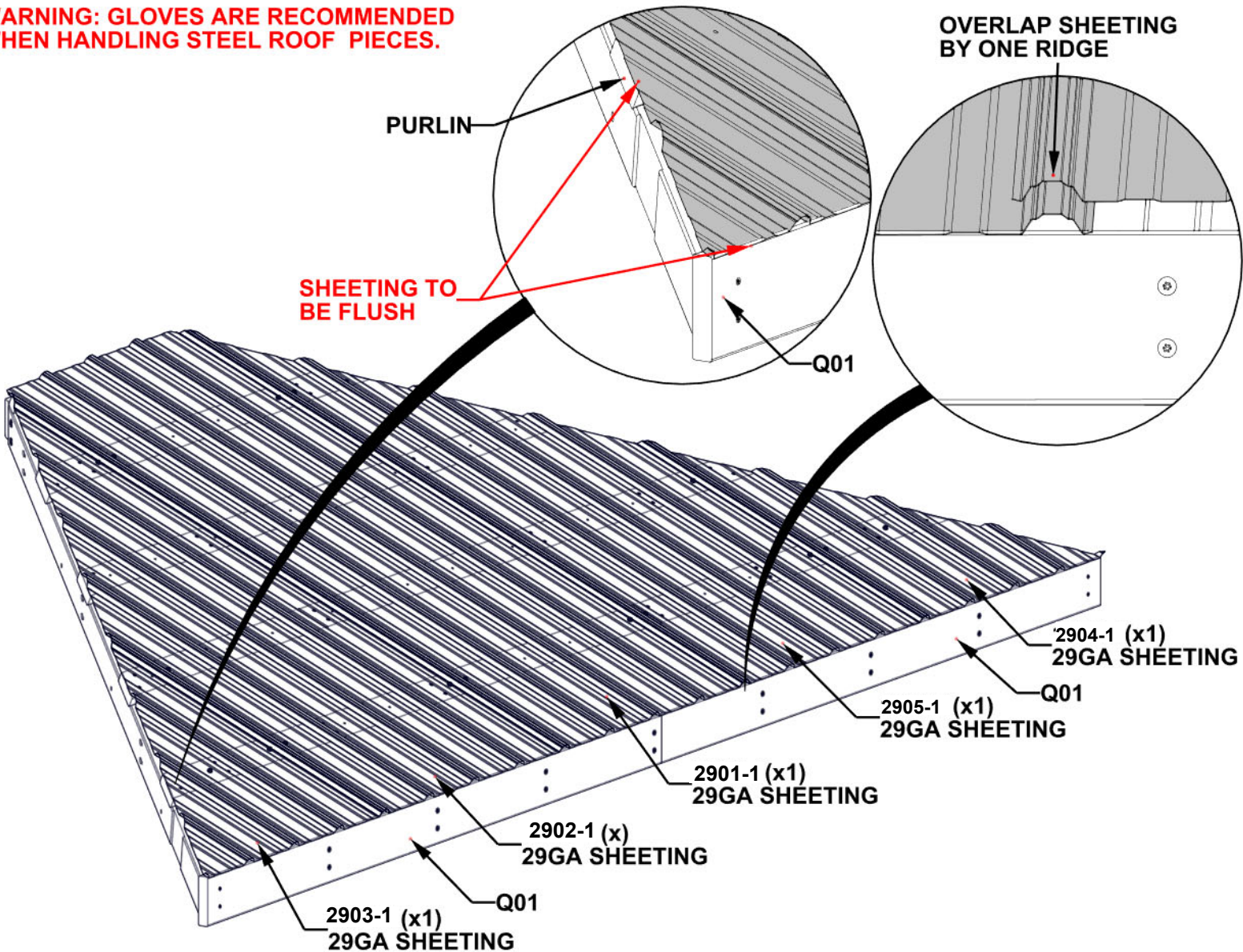
Qty	PART NUMBER	DESCRIPTION
16	H100833	SCREW WOODGRIP 10-16x3/4



TIPS:

- REMOVE PROTECTIVE BLUE FILM
- STARTING IN THE CENTER, PLACE PANELS AS SHOWN BELOW.
- OVERLAP PANELS BY ONE RIDGE.
- PANELS SHOULD BE FLUSH WITH PURLIN ENDS AND Q01 ROOF JOIST.
- ONCE SHEETING IS IN PLACE, IT IS RECOMMENDED TO ADD H100833 SCREWS IN THE MIDDLE OF SHEETS TO HOLD SHEETING FOR THE NEXT STEP.

WARNING: GLOVES ARE RECOMMENDED WHEN HANDLING STEEL ROOF PIECES.



STEP 21 - 12FT ROOF PANEL ASSEMBLY

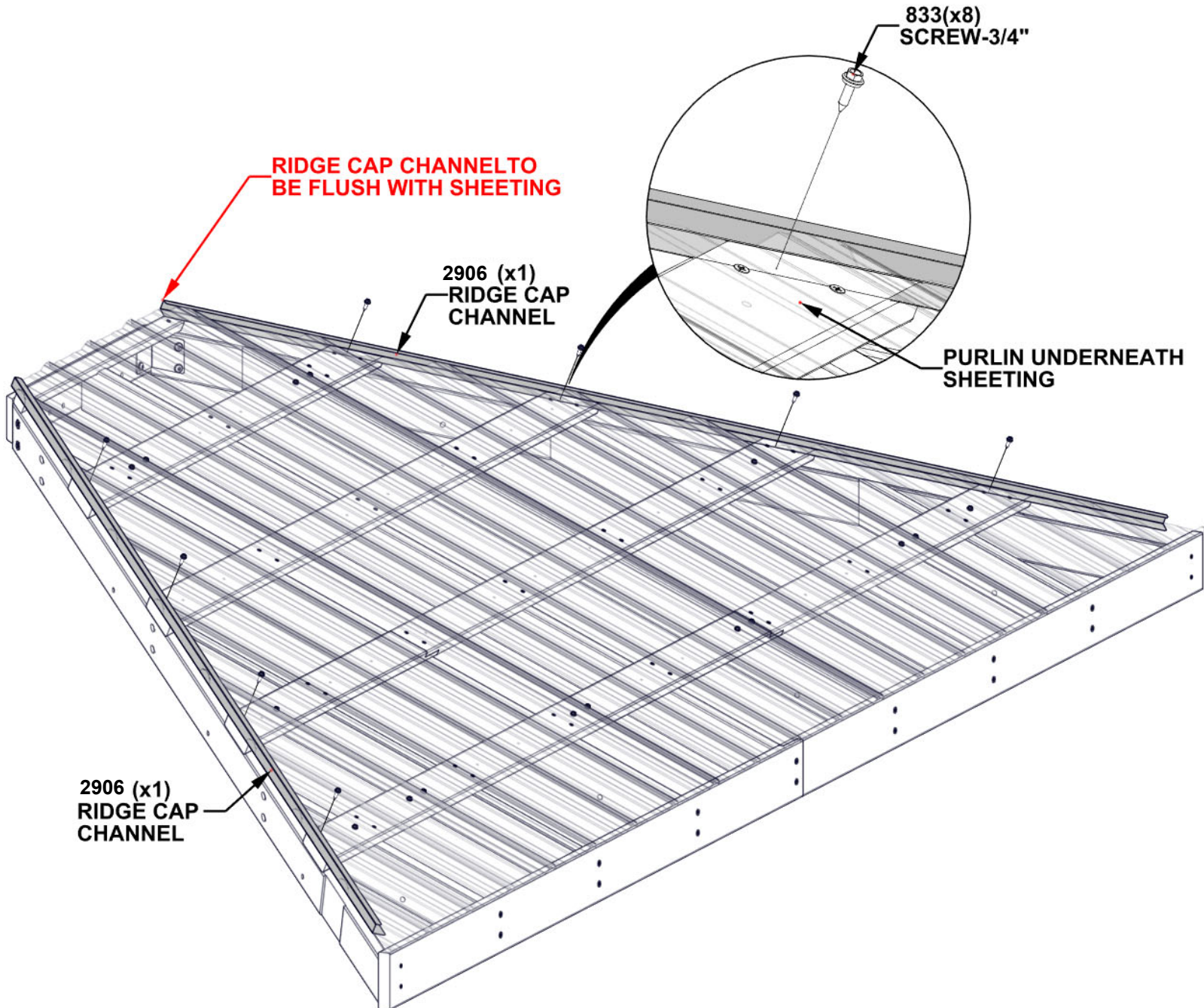
Qty	PART NUMBER	DESCRIPTION
8	H100833	SCREW WOODGRIP 10-16x3/4



A4M02906 RIDGE CAP CHANNEL
(x2)

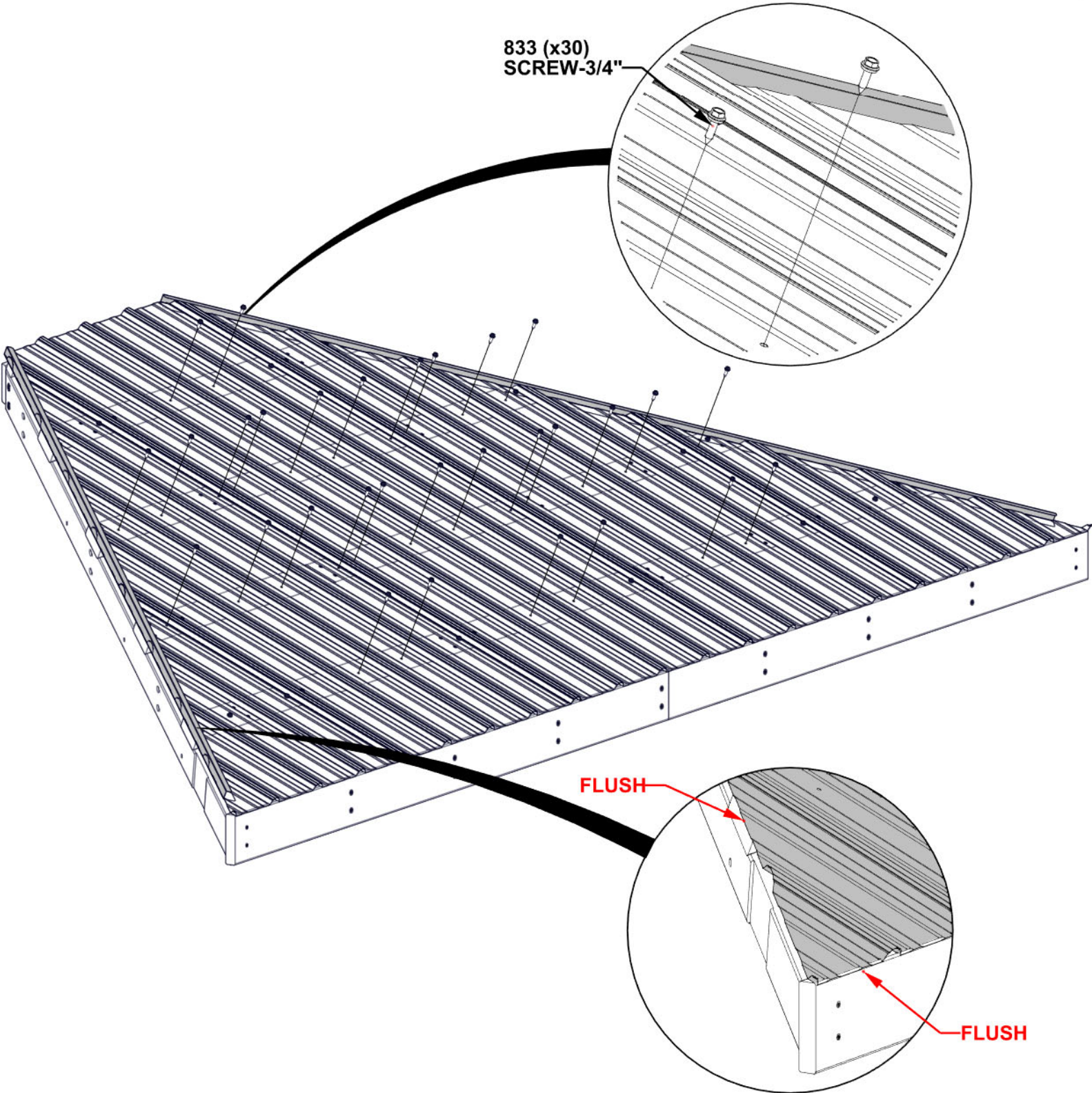
TIPS:

- POSITION THE RIDGE CAP CHANNEL OVER THE EDGE OF THE ROOF PANELS WITH THE WIDER SIDE OF THE CHANNEL ON THE BOTTOM.
- MAKE SURE THE PANELS ARE FULLY SEATED INTO THE CHANNEL.
- FLUSH THE TOP OF THE CHANNEL WITH THE TOP OF THE METAL PANELS.



STEP 22 - 12FT ROOF PANEL ASSEMBLY

Qty	PART NUMBER	DESCRIPTION
30	H100833	SCREW WOODGRIP 10-16x3/4



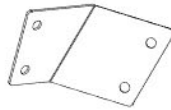
**REPEAT 12FT ROOF PANEL
ASSEMBLY STEPS 15 THROUGH 22**

STEP 23 - 10FT ROOF PANEL ASSEMBLY

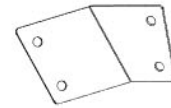
Qty	PART NUMBER	DESCRIPTION
4	H100171	BOLT WH 1/4x1 BLK
4	H100398	TNUT-1/4" BLK



H11 ROOF JOIST - W4L16801
(x1) 15/16"x3 3/8"x12 15/16" (24x86x328)

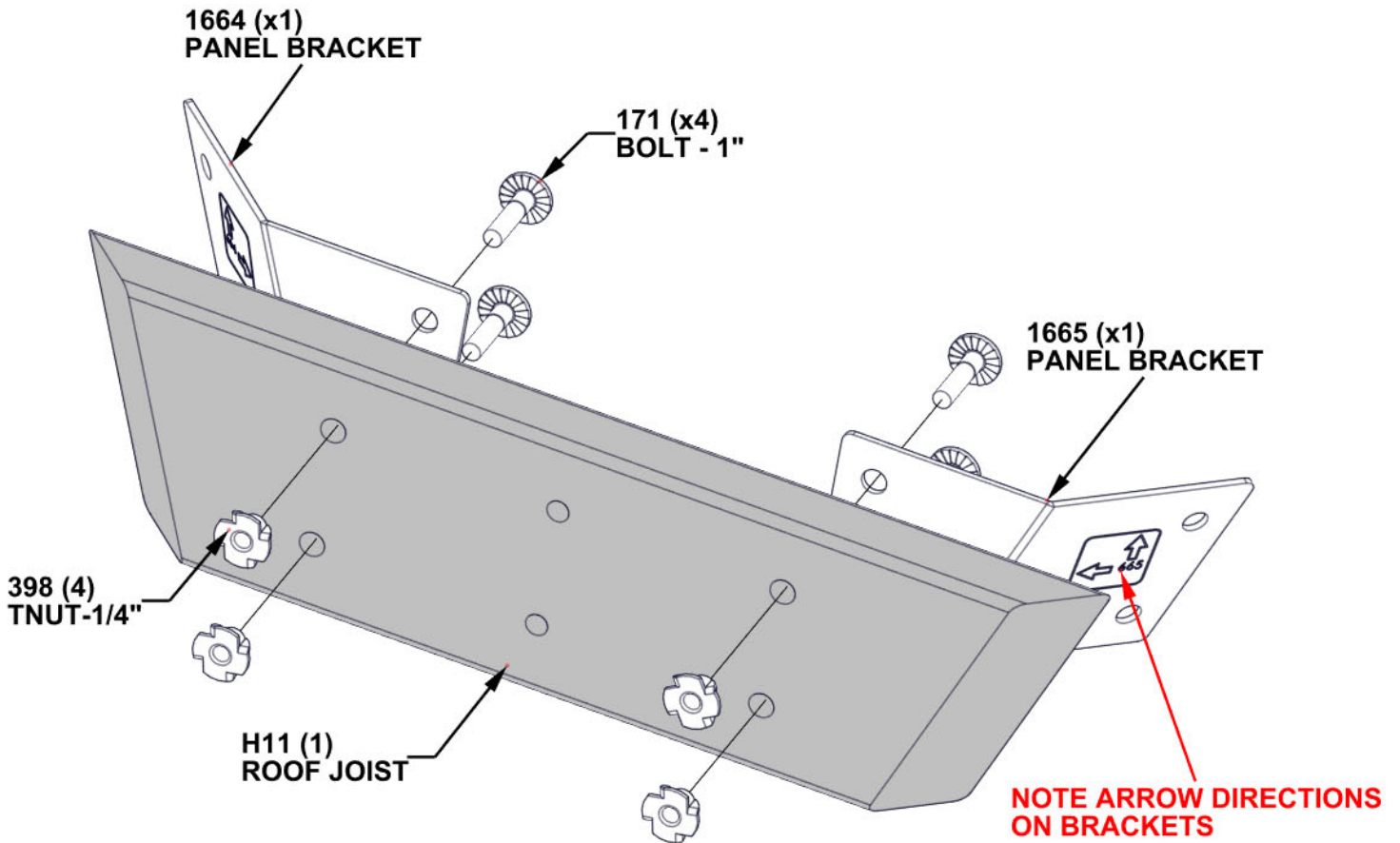


A4M01664 PANEL BRACKET
(x1)



A4M01665 PANEL BRACKET
(x1)

**INSERT T-NUTS FIRST
HAND TIGHTEN ONLY**



STEP 24 - 10FT ROOF PANEL ASSEMBLY

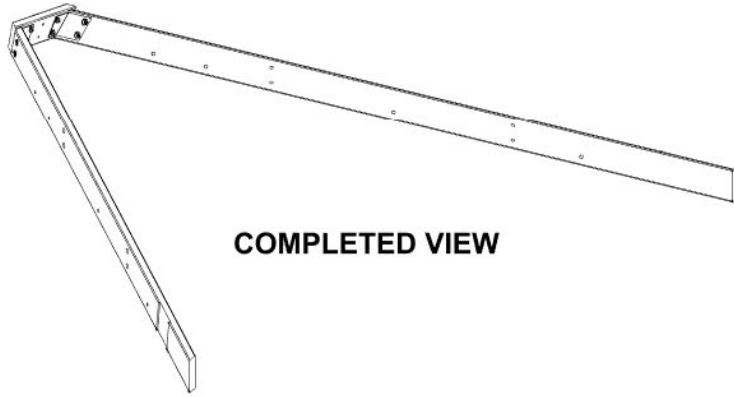
Qty	PART NUMBER	DESCRIPTION
4	H100171	BOLT WH 1/4x1 BLK
4	H100398	TNUT-1/4" BLK



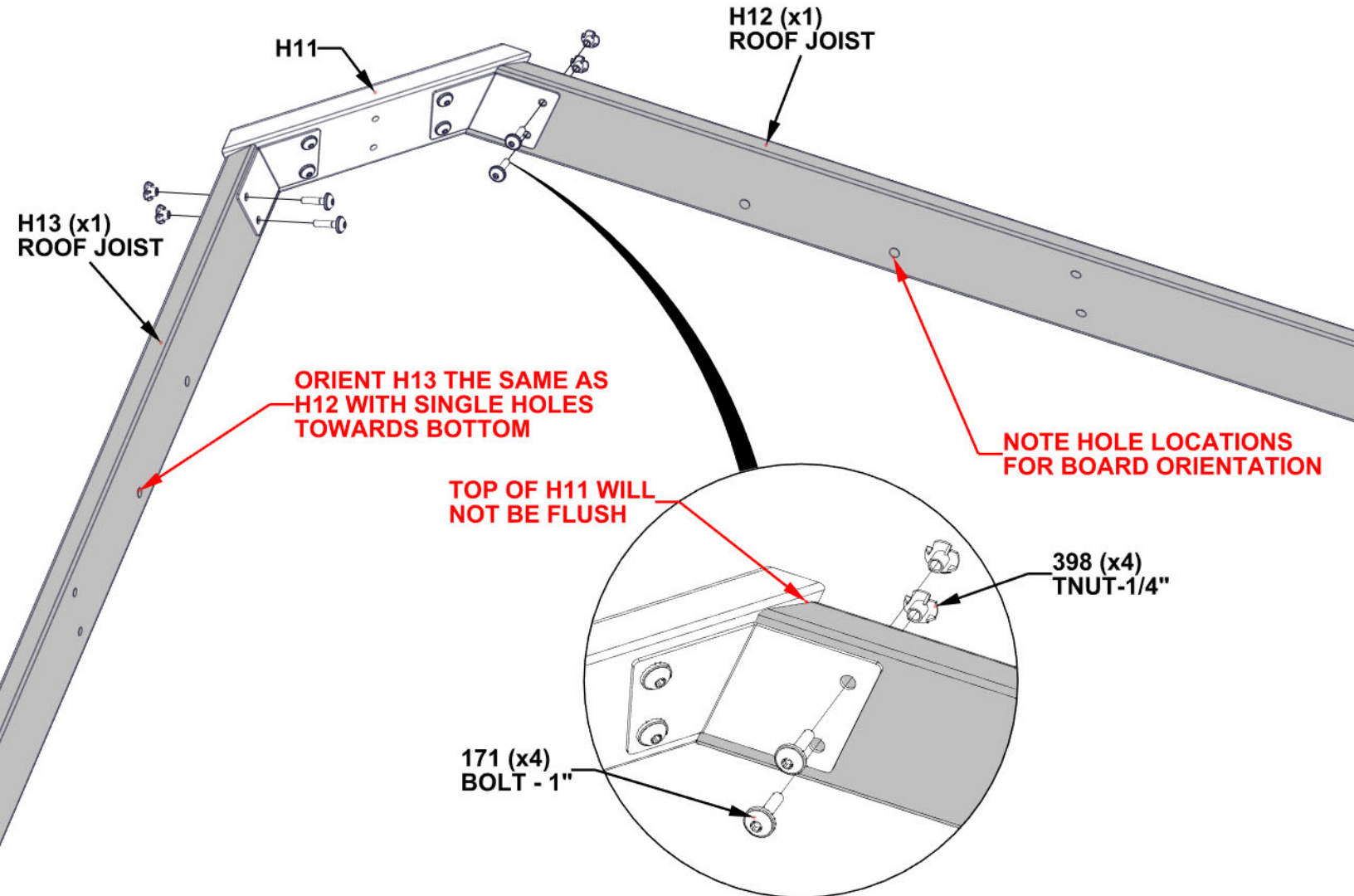
H12 ROOF JOIST - W4L16802
(x1) 15/16"x3 3/8"x79 1/4" (24x86x2013)



H13 ROOF JOIST - W4L16803
(x1) 15/16"x3 3/8"x79 1/4" (24x86x2013)



COMPLETED VIEW



STEP 25 - 10FT ROOF PANEL ASSEMBLY

Qty	PART NUMBER	DESCRIPTION
10	H101030	SCREW CONFIRMAT 7x2 BLK

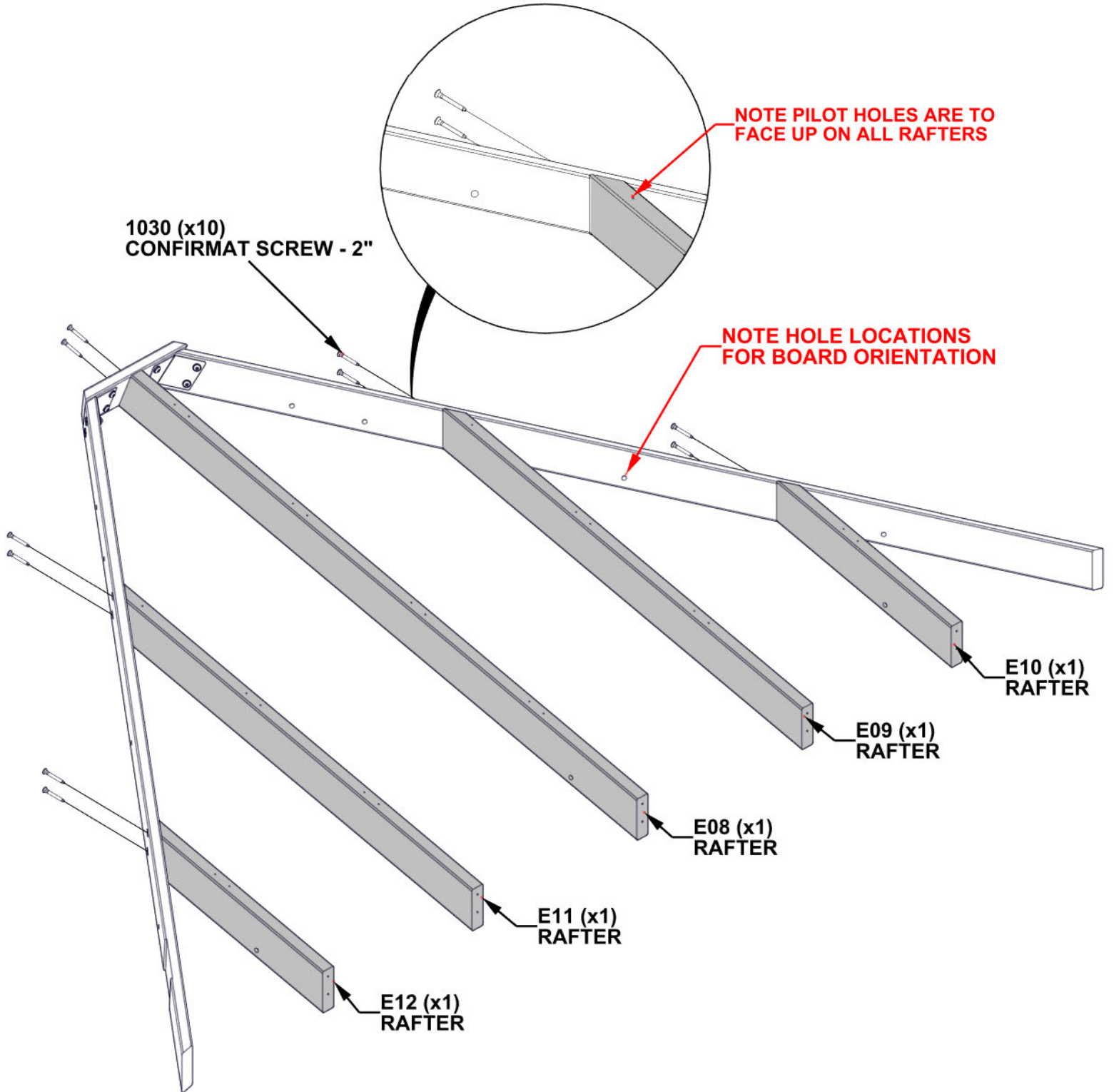
E11 RAFTER - W4L16807
(x1) 1 7/16"x3 3/8"x41 3/16" (36x86x1047)

E10 RAFTER - W4L16806
(x1) 1 7/16"x3 3/8"x20 3/4" (36x86x527)

E09 RAFTER - W4L16805
(x1) 1 7/16"x3 3/8"x41 3/16" (36x86x1047)

E08 RAFTER - W4L16804
(x1) 1 7/16"x3 3/8"x57 1/2" (36x86x1460)

E12 RAFTER - W4L16808
(x1) 1 7/16"x3 3/8"x20 3/4" (36x86x527)



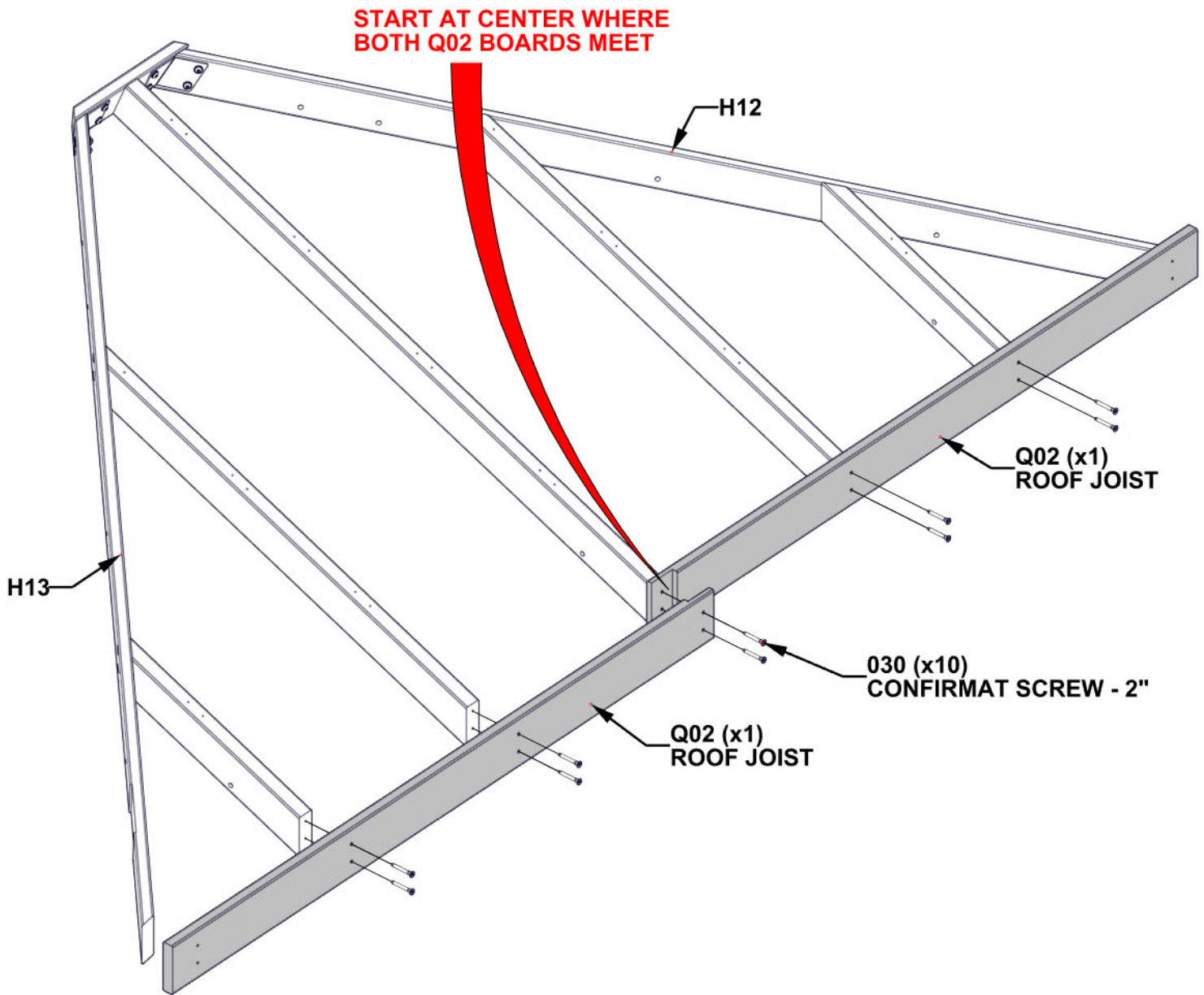
STEP 26A - 10FT ROOF PANEL ASSEMBLY

Qty	PART NUMBER	DESCRIPTION
4	H100382	SCREW PFH 8x1 3/4 BLK
10	H101030	SCREW CONFIRMAT 7x2 BLK



Q02 ROOF JOIST - W4L16800
(x2) 15/16"4 7/16" (24x112x1554)

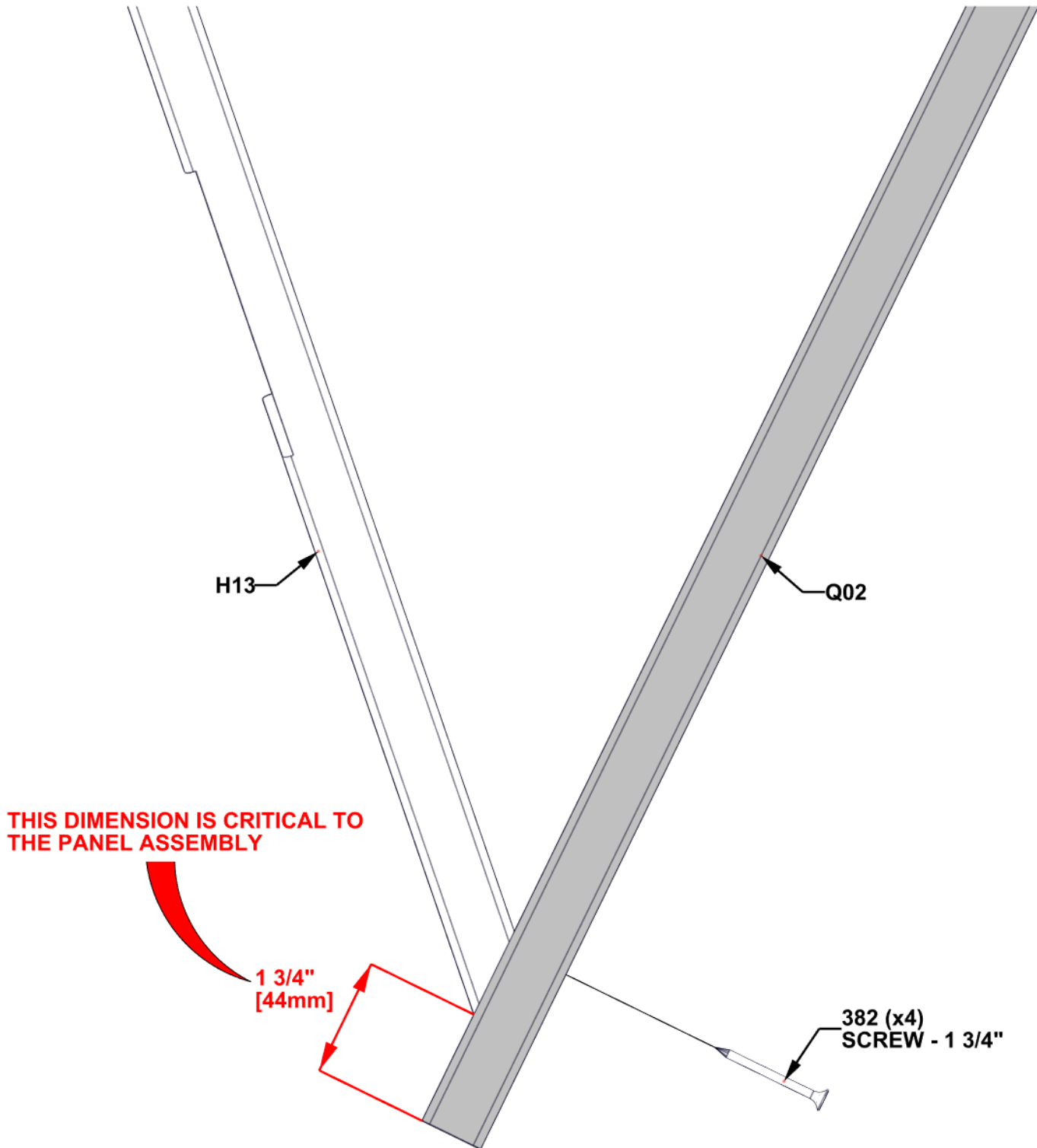
- TIP:**
- RAFTERS MAY NEED TO BE LOOSENED TO ATTACH Q02 TO H13/H12



STEP 26B - 10FT ROOF PANEL ASSEMBLY

TIPS:

- USING THE Q02 BOARD AS A GUIDE AND A 1/8" DRILL BIT, DRILL PILOT HOLES INTO THE H13 BOARDS USING THE DIMENSION BELOW.
- REPEAT ON OPPOSITE END WITH H12 BOARD.



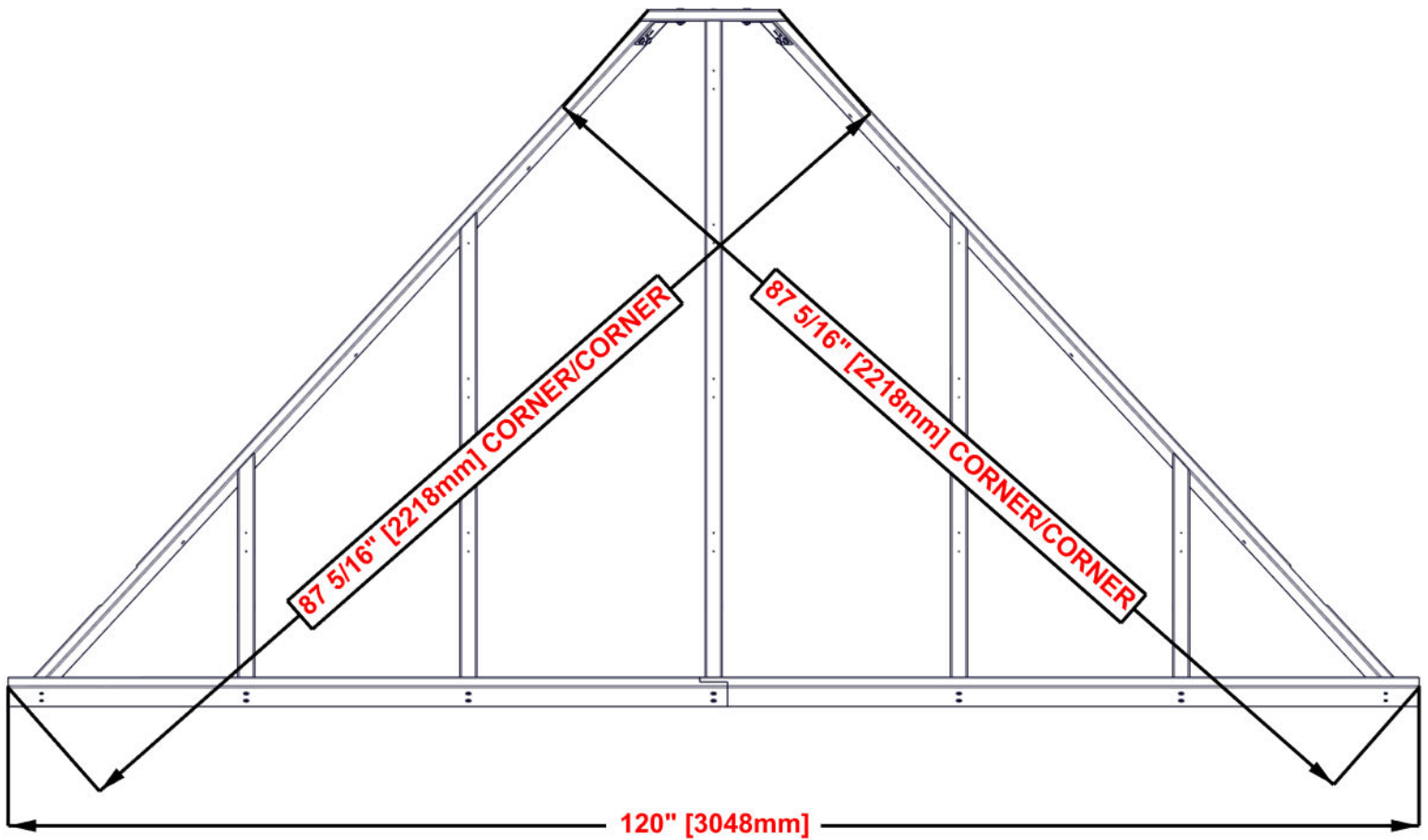
STEP 26C - 10FT ROOF PANEL ASSEMBLY

TIP:

- LOOSEN HARDWARE TO ADJUST FOR SQUARING IF NEEDED

CRITICAL:

- SQUARE UNIT BEFORE PROCEEDING TO NEXT STEPS.
- THE BELOW DIMENSIONS ARE CRITICAL TO THE FINAL ROOF ASSEMBLY.
- MEASUREMENTS SHOULD BE WITHIN +/- 1/4"
- MEASUREMENTS OUTSIDE OF TOLERANCE WILL LEAD TO THE INABILITY TO ASSEMBLE THE ROOF.



STEP 27 - 10FT ROOF PANEL ASSEMBLY

- T02 PURLIN - W4L16813
(x1) 15/16"x1 5/16"x15" (24x34x382)
- H17 PURLIN - W4L16812
(x1) 15/16"x3 3/8"x26 1/2" (24x86x673)
- H15 PURLIN - W4L16810
(x1) 15/16"x3 3/8"x74 15/16" (24x86x1904)
- H16 PURLIN - W4L16811
(x1) 15/16"x3 3/8"x50 11/16" (24x86x1288)

Qty	PART NUMBER	DESCRIPTION
40	H100391	SCREW PFH 8x2 BLK

- H14 PURLIN - W4L16809
(x2) 15/16"x3 3/8"x50 13/16" (24x86x1290)

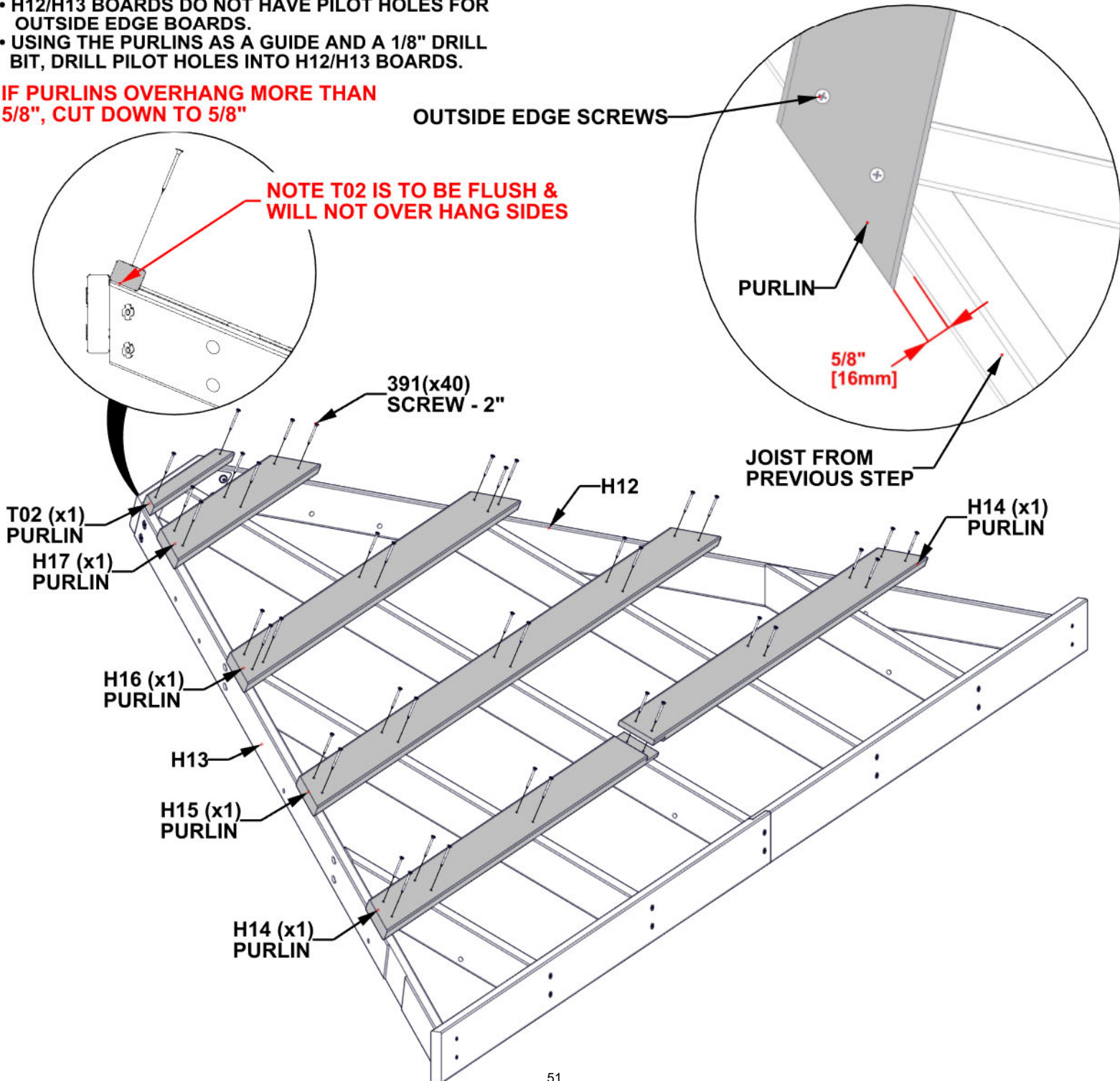
TIPS:

- ALIGN PURLIN PILOT HOLES WITH RAFTER PILOT HOLES.
- ATTACH SCREWS FROM THE CENTER AND WORK OUTWARDS.
- H12/H13 BOARDS DO NOT HAVE PILOT HOLES FOR OUTSIDE EDGE BOARDS.
- USING THE PURLINS AS A GUIDE AND A 1/8" DRILL BIT, DRILL PILOT HOLES INTO H12/H13 BOARDS.

IF PURLINS OVERHANG MORE THAN 5/8", CUT DOWN TO 5/8"

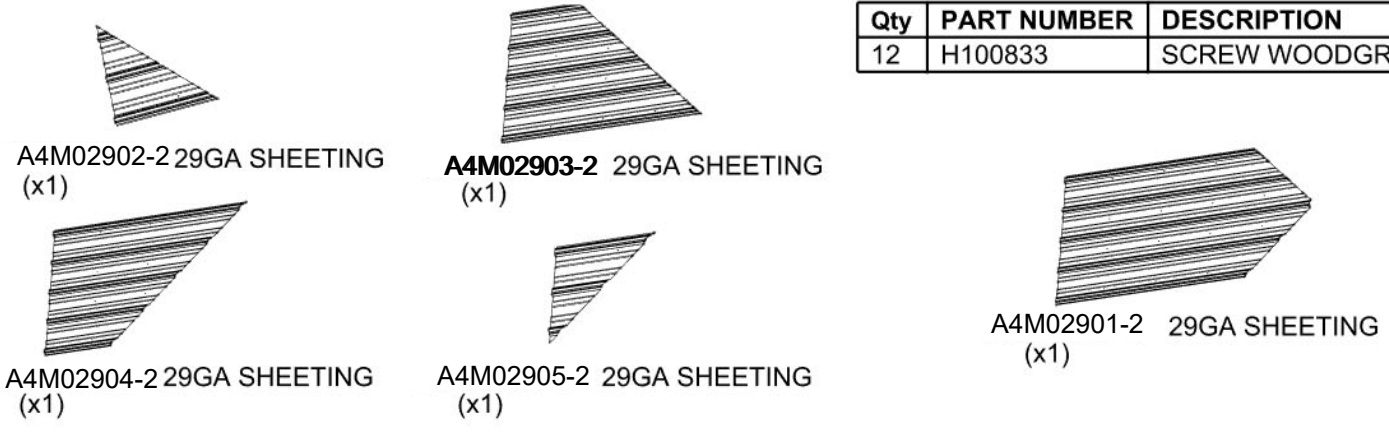
OUTSIDE EDGE SCREWS

NOTE T02 IS TO BE FLUSH & WILL NOT OVER HANG SIDES



STEP 28 - 10FT ROOF PANEL ASSEMBLY

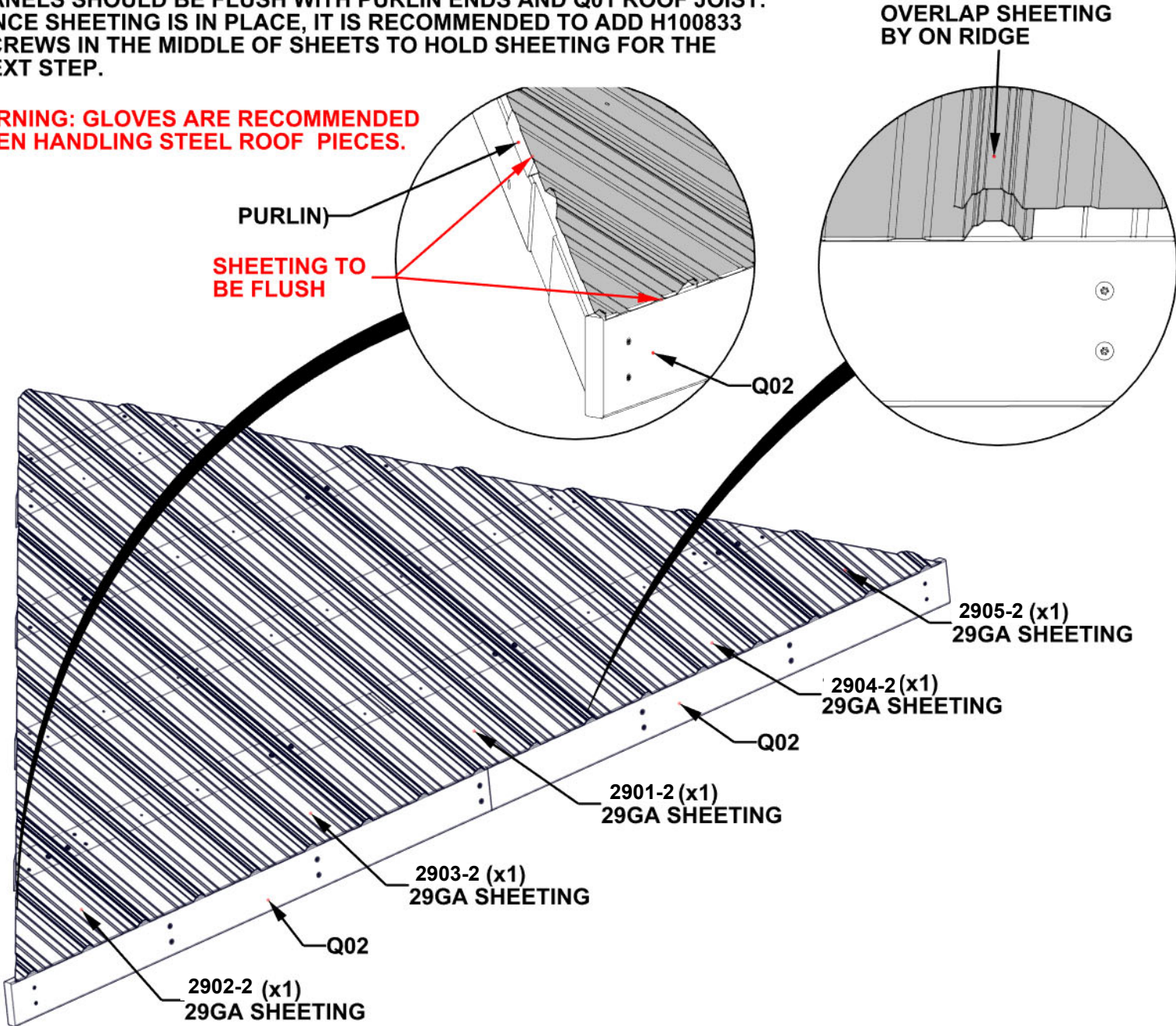
Qty	PART NUMBER	DESCRIPTION
12	H100833	SCREW WOODGRIP 10-16x3/4



TIPS:

- REMOVE PROTECTIVE BLUE FILM
- STARTING IN THE CENTER, PLACE PANELS AS SHOWN BELOW.
- OVERLAP PANELS BY ONE RIDGE.
- PANELS SHOULD BE FLUSH WITH PURLIN ENDS AND Q01 ROOF JOIST.
- ONCE SHEETING IS IN PLACE, IT IS RECOMMENDED TO ADD H100833 SCREWS IN THE MIDDLE OF SHEETS TO HOLD SHEETING FOR THE NEXT STEP.

WARNING: GLOVES ARE RECOMMENDED WHEN HANDLING STEEL ROOF PIECES.



STEP 29 - 10FT ROOF PANEL ASSEMBLY

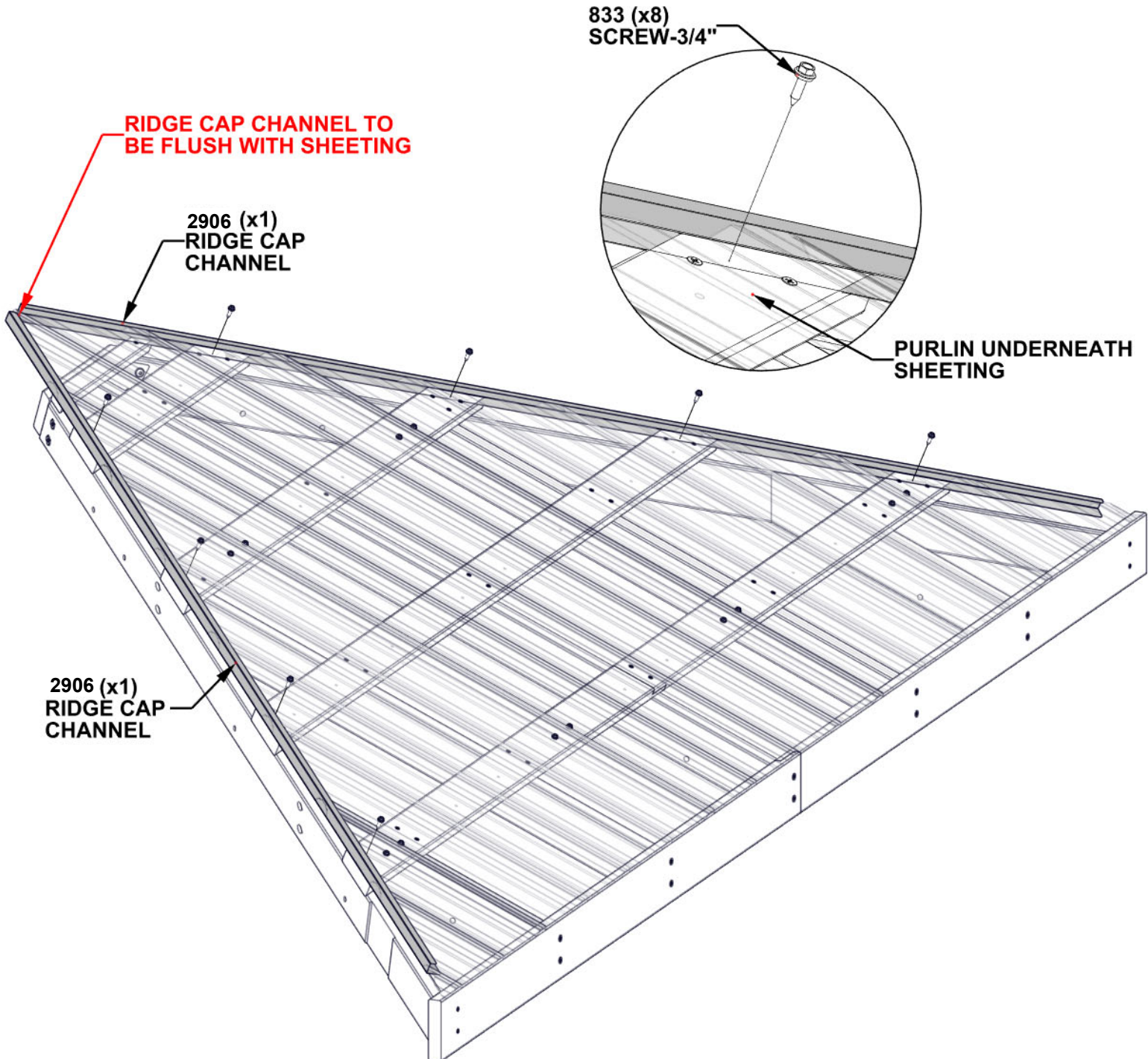
Qty	PART NUMBER	DESCRIPTION
8	H100833	SCREW WOODGRIP 10-16x3/4



A4M02906 RIDGE CAP CHANNEL
(x2)

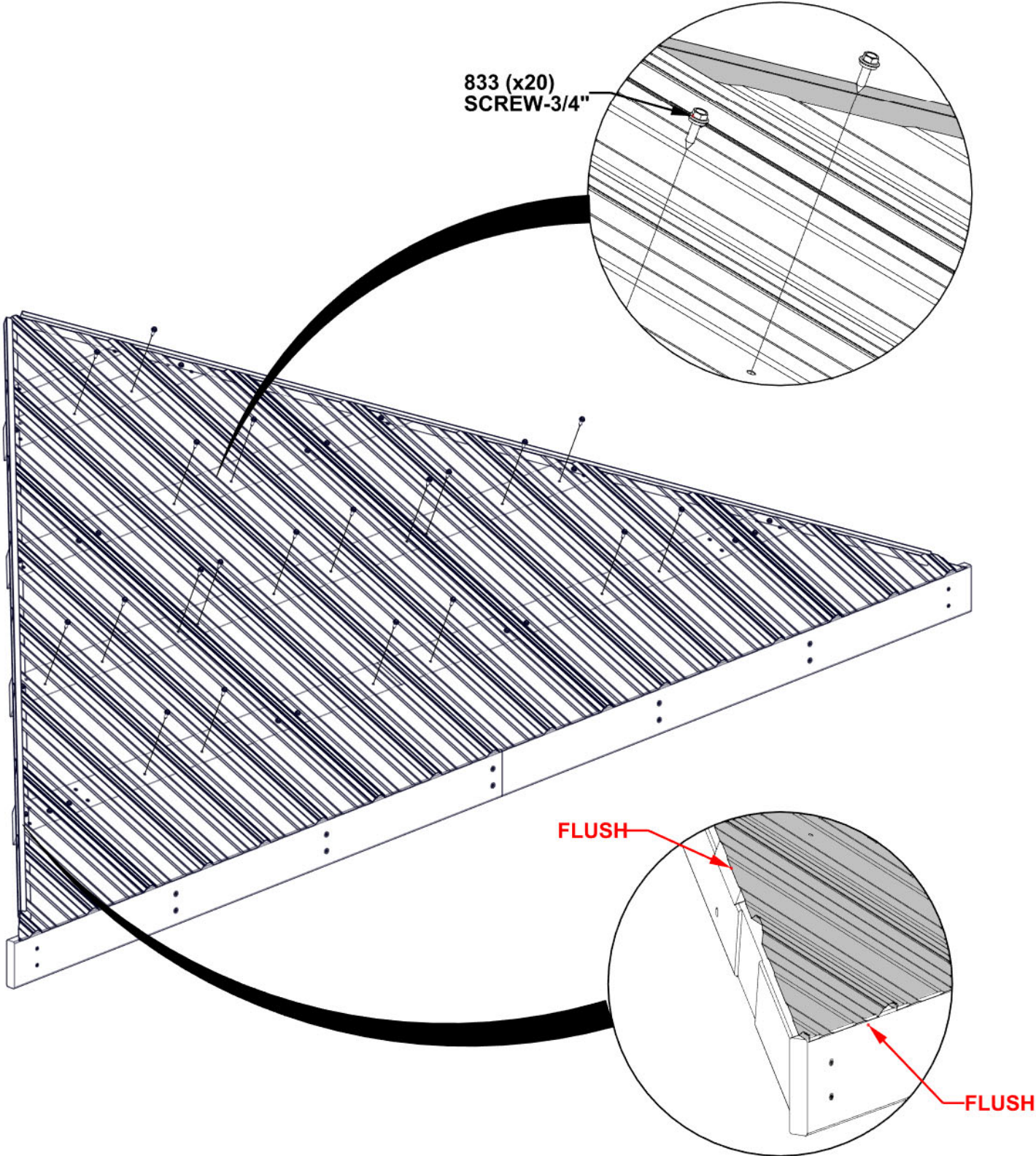
TIPS:

- POSITION THE RIDGE CAP CHANNEL OVER THE EDGE OF THE ROOF PANELS WITH THE WIDER SIDE OF THE CHANNEL ON THE BOTTOM.
- MAKE SURE THE PANELS ARE FULLY SEATED INTO THE CHANNEL.
- FLUSH THE TOP OF THE CHANNEL WITH THE TOP OF THE METAL PANELS.



STEP 30 - 10FT ROOF PANEL ASSEMBLY

Qty	PART NUMBER	DESCRIPTION
20	H100833	SCREW WOODGRIP 10-16x3/4



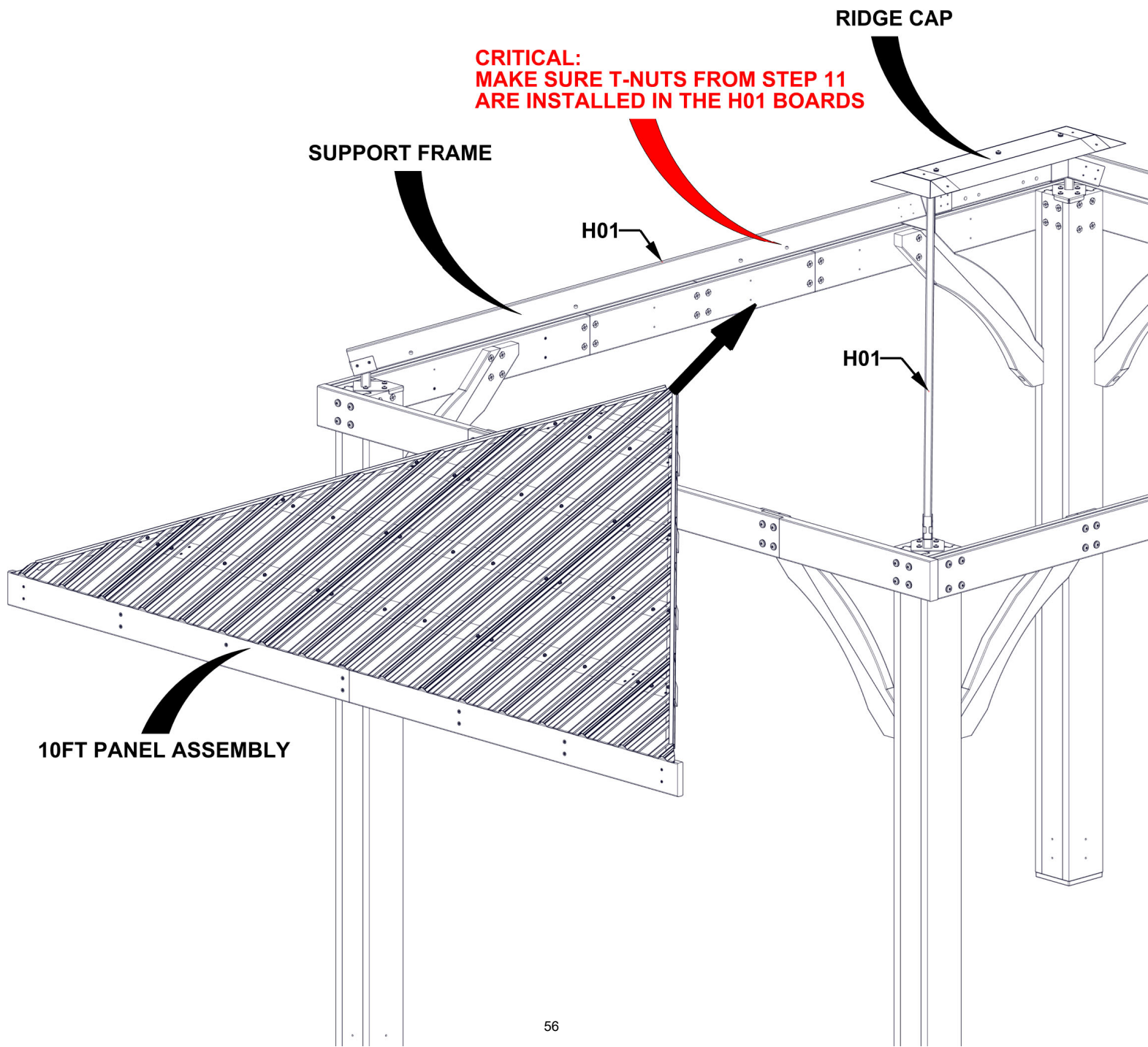
**REPEAT 10FT ROOF PANEL
ASSEMBLY STEPS 23 THROUGH 30**

STEP 31A - 10FT ROOF PANEL ATTACHMENT

TIPS:

- THREE PEOPLE ARE HELPFUL FOR THIS STEP.
- POSITION A PERSON ON A LADDER IN THE CENTER OF THE GAZEBO TO HELP SUPPORT THE ROOF PANEL.
- WITH TWO PEOPLE, WORK THE PANEL UP WITHOUT SLIDING OR DRAGGING, UNTIL IT MEETS THE ROOF SUPPORT FRAME.
- MAKE SURE THE ROOF PANEL SLIDES UNDERNEATH THE RIDGE CAP.

WARNING: GLOVES ARE RECOMMENDED WHEN HANDLING STEEL ROOF PIECES.



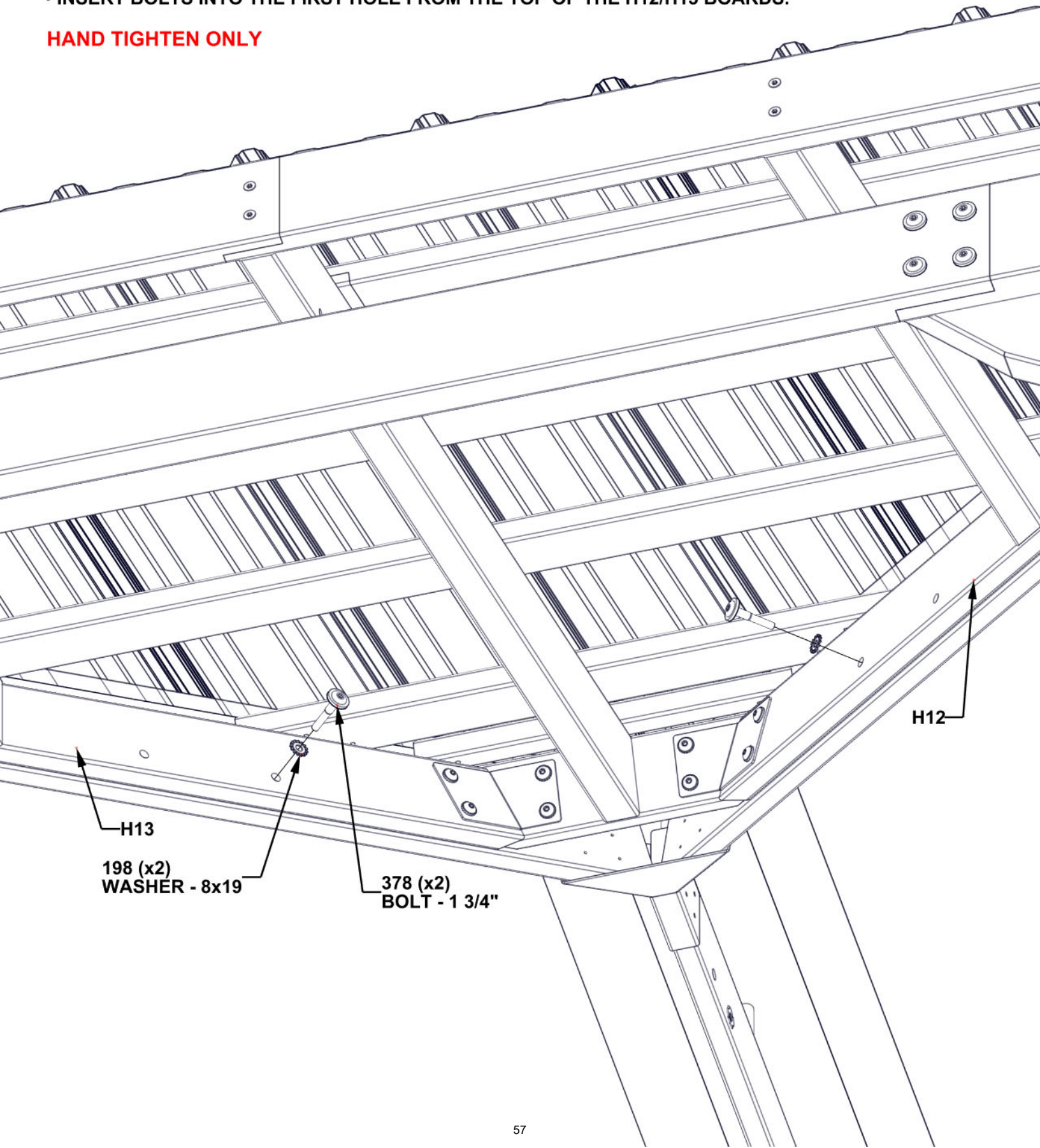
STEP 31B - 10FT ROOF PANEL ATTACHMENT

Qty	PART NUMBER	DESCRIPTION
2	H100198	WASHER LOCK EXT 8X19 BLK
2	H100378	BOLT WH 5/16x1 3/4 BLK

TIPS:

- IF NECESSARY, USE A LONG SCREWDRIVER OR CLAMPS TO HOLD PANELS IN PLACE.
- INSERT BOLTS INTO THE FIRST HOLE FROM THE TOP OF THE H12/H13 BOARDS.

HAND TIGHTEN ONLY



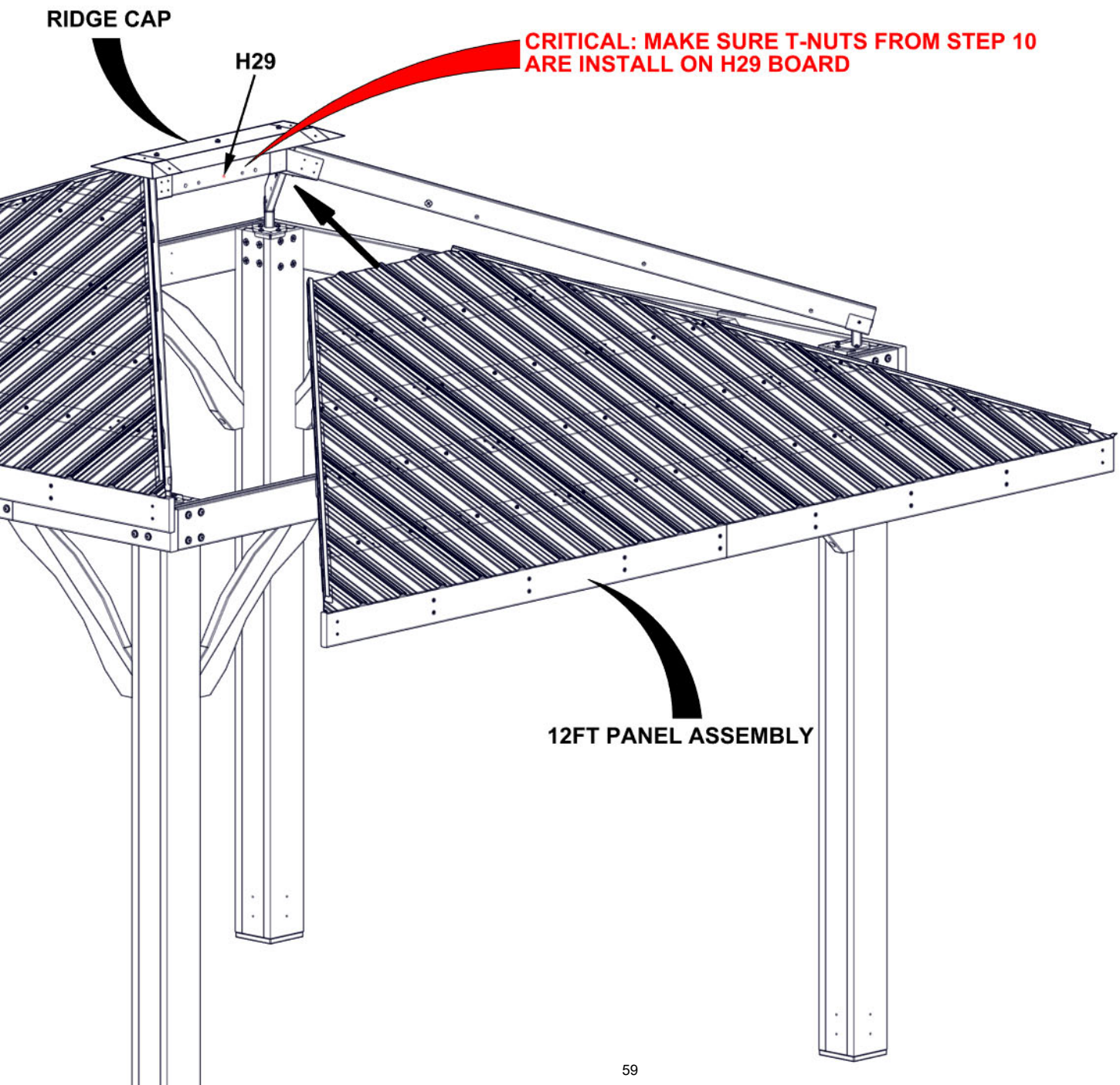
**REPEAT 10FT ROOF PANEL INSTALLATION
STEPS 31A & 31B**

STEP 32A - 12FT ROOF PANEL ATTACHMENT

TIPS:

- THREE PEOPLE ARE HELPFUL FOR THIS STEP.
- POSITION A PERSON ON A LADDER IN THE CENTER OF THE GAZEBO TO HELP SUPPORT THE ROOF PANEL.
- WITH TWO PEOPLE, WORK THE PANEL UP WITHOUT SLIDING OR DRAGGING, UNTIL IT MEETS THE ROOF SUPPORT FRAME.
- MAKE SURE THE ROOF PANEL SLIDES UNDERNEATH THE RIDGE CAP.

WARNING: GLOVES ARE RECOMMENDED WHEN HANDLING STEEL ROOF PIECES.

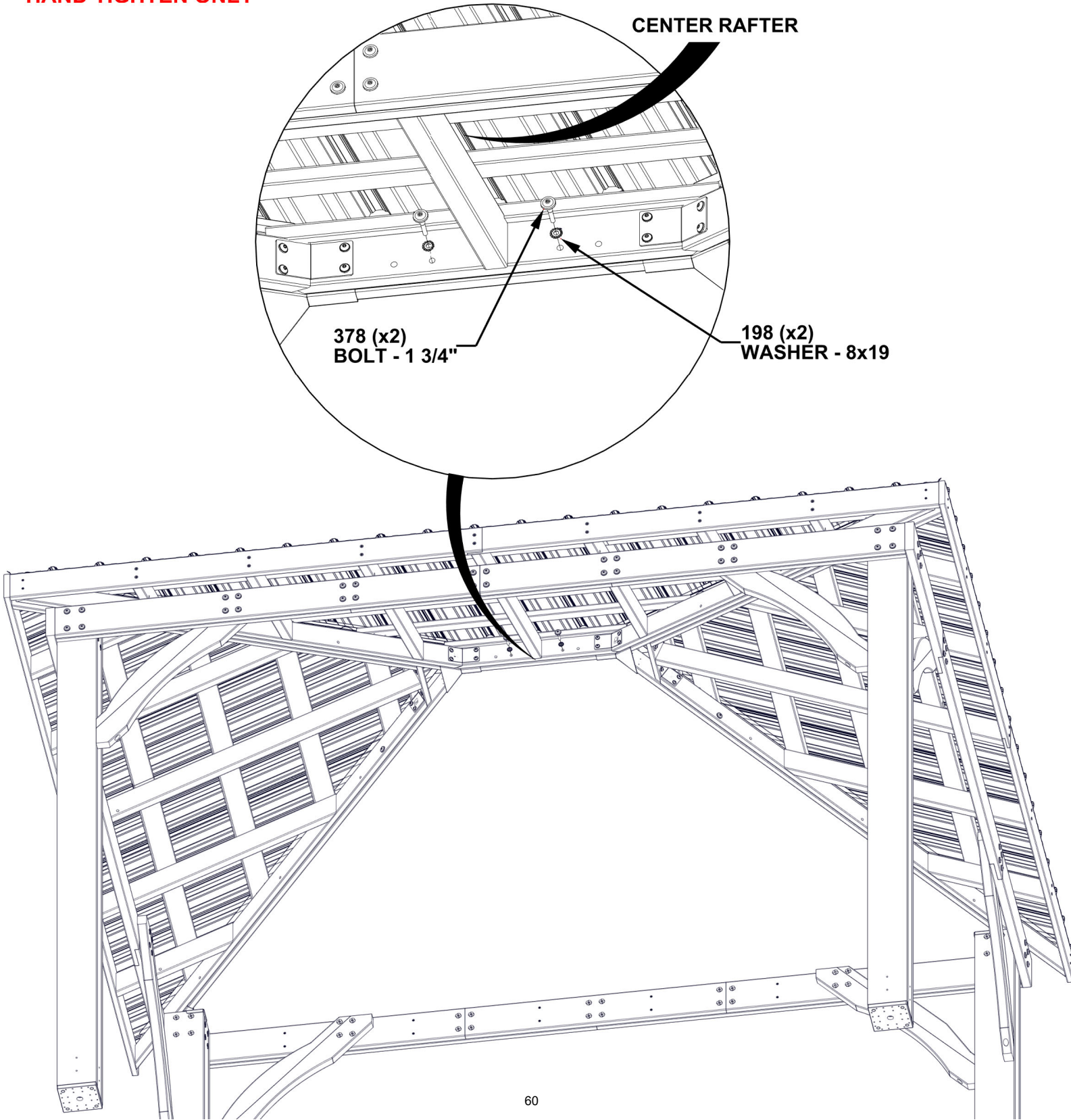


STEP 32B - 12FT ROOF PANEL ATTACHMENT

Qty	PART NUMBER	DESCRIPTION
2	H100198	WASHER LOCK EXT 8X19 BLK
2	H100378	BOLT WH 5/16x1 3/4 BLK

TIP:
• IF NECESSARY, USE A LONG SCREWDRIVER OR CLAMPS TO HOLD PANEL IN PLACE.

HAND TIGHTEN ONLY

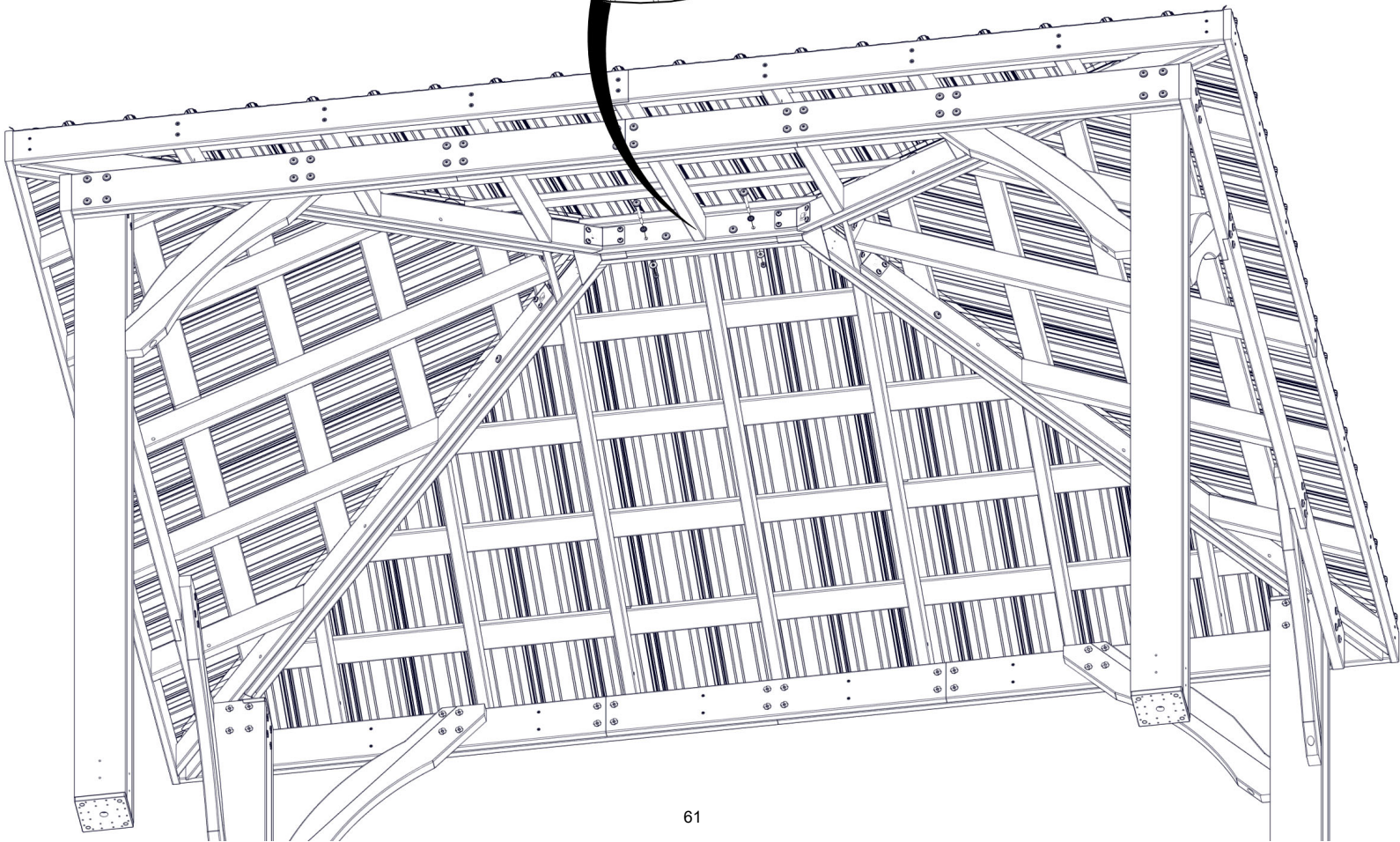
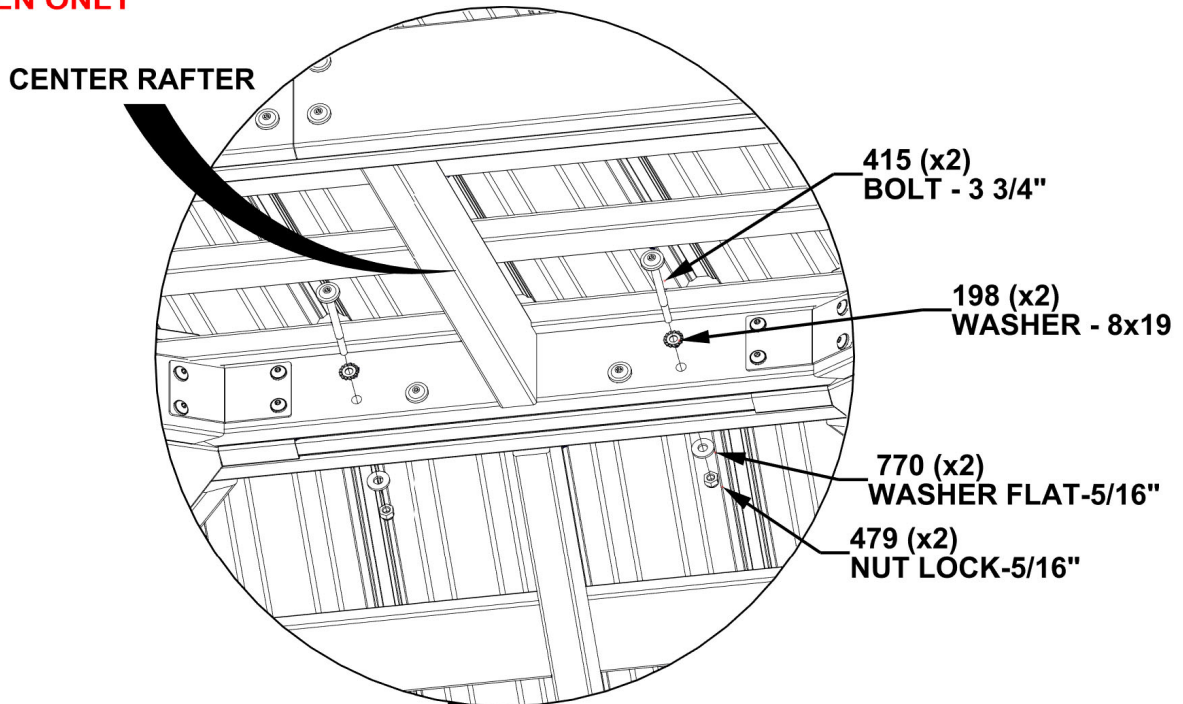


STEP 33A - 12FT ROOF PANEL ATTACHMENT

Qty	PART NUMBER	DESCRIPTION
2	H100198	WASHER LOCK EXT 8X19 BLK
2	H100415	BOLT WH 5/16x3 3/4 BLK
2	H100479	NUT LOCK 5/16 BLK
2	H100770	WASHER FLAT 5/16 BLK

- TIPS:**
- REPEAT STEP 32A FOR SECOND 12FT PANEL.
 - IF NECESSARY USE A LONG SCREWDRIVER OR CLAMPS TO HOLD PANEL IN PLACE.

HAND TIGHTEN ONLY



STEP 33B - 12FT ROOF PANEL ATTACHMENT

Qty	PART NUMBER	DESCRIPTION
12	H100198	WASHER LOCK EXT 8X19 BLK
12	H100415	BOLT WH 5/16x3 3/4 BLK
12	H100479	NUT LOCK 5/16 BLK
12	H100770	WASHER FLAT 5/16 BLK

HAND TIGHTEN ONLY

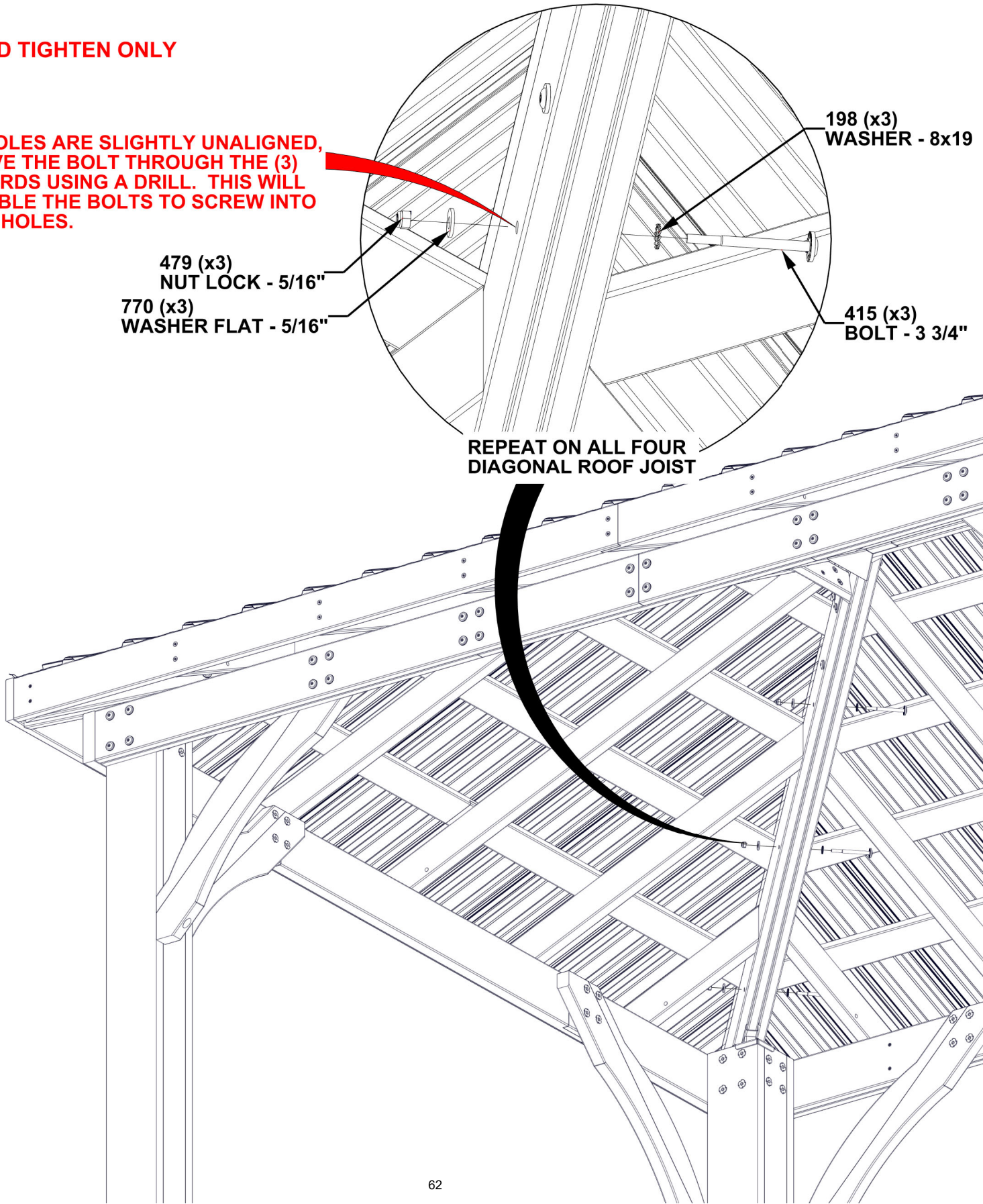
IF HOLES ARE SLIGHTLY UNALIGNED, DRIVE THE BOLT THROUGH THE (3) BOARDS USING A DRILL. THIS WILL ENABLE THE BOLTS TO SCREW INTO THE HOLES.

479 (x3)
NUT LOCK - 5/16"
770 (x3)
WASHER FLAT - 5/16"

198 (x3)
WASHER - 8x19

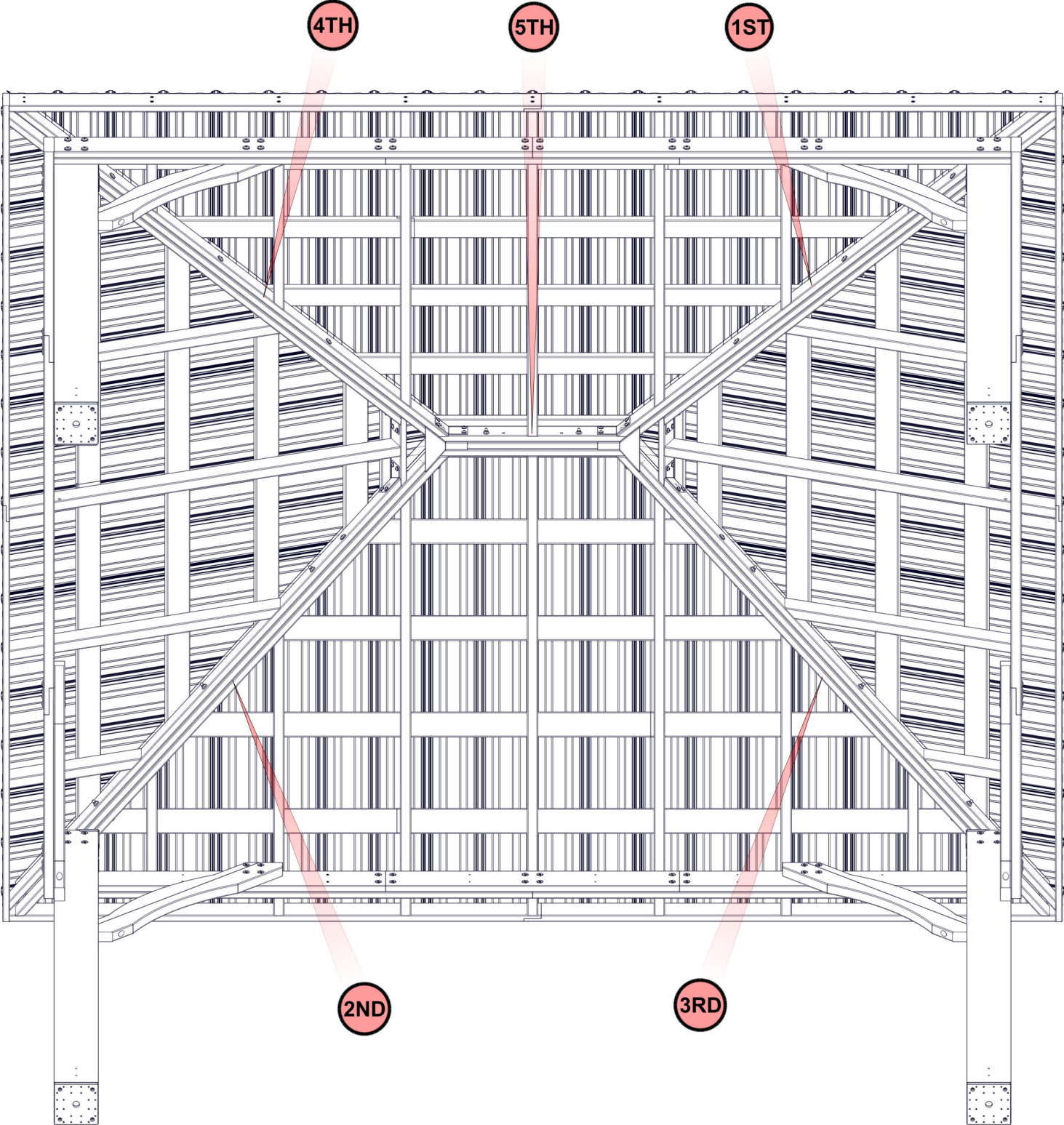
415 (x3)
BOLT - 3 3/4"

**REPEAT ON ALL FOUR
DIAGONAL ROOF JOIST**

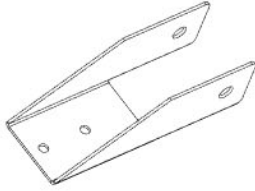


STEP 34 - ROOF PANEL ATTACHMENT

**TIGHTEN ALL THE HARDWARE IN THE ORDER SHOWN BELOW.
START AT THE TOP AND WORK YOUR WAY DOWN.**



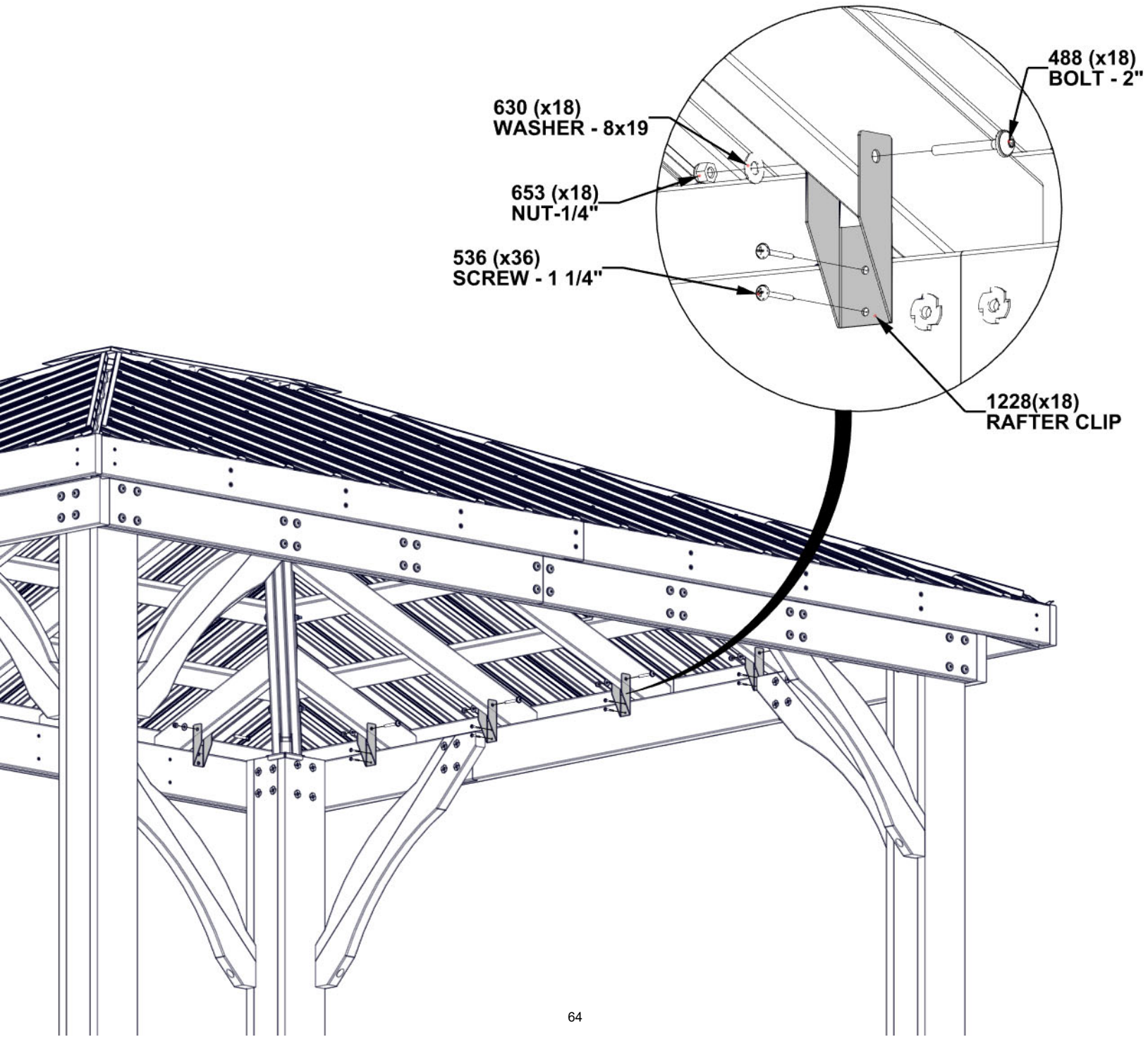
STEP 35 - ROOF ASSEMBLY



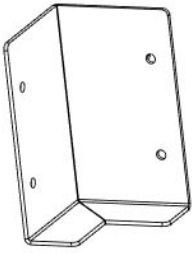
A4M01228 RAFTER CLIP
(x18)

Qty	PART NUMBER	DESCRIPTION
18	H100488	BOLT WH 1/4x2 BLK
36	H100536	SCREW PWH 8x1 1/4 BLK
18	H100630	WASHER FLAT 8x19 BLK
18	H100653	NUT LOCK 1/4 BLK

- TIPS:**
- ATTACH RAFTER CLIPS FIRST WITH 2" BOLTS.
 - USING THE BRACKET AS A TEMPLATE AND A 1/8" DRILL BIT, DRILL PILOT HOLES FOR THE H100536 SCREWS.
 - DRILL PILOT HOLES APPROXIMATELY 1/2" DEEP.
 - NOTE THERE ARE NO RAFTER CLIPS WHERE CORBLES ARE LOCATED.

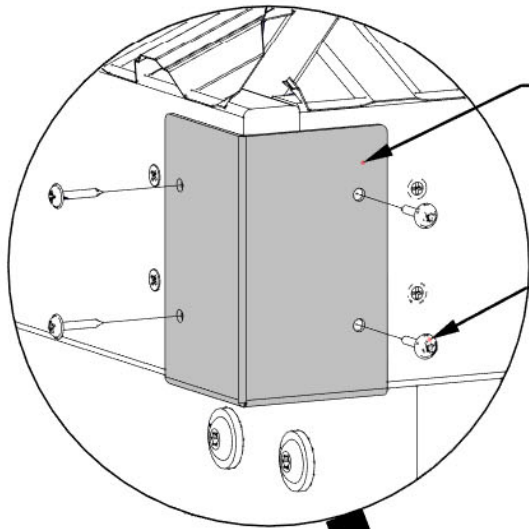


STEP 36 - ROOF ASSEMBLY



A4M01185 CORNER BRACKET
(x4)

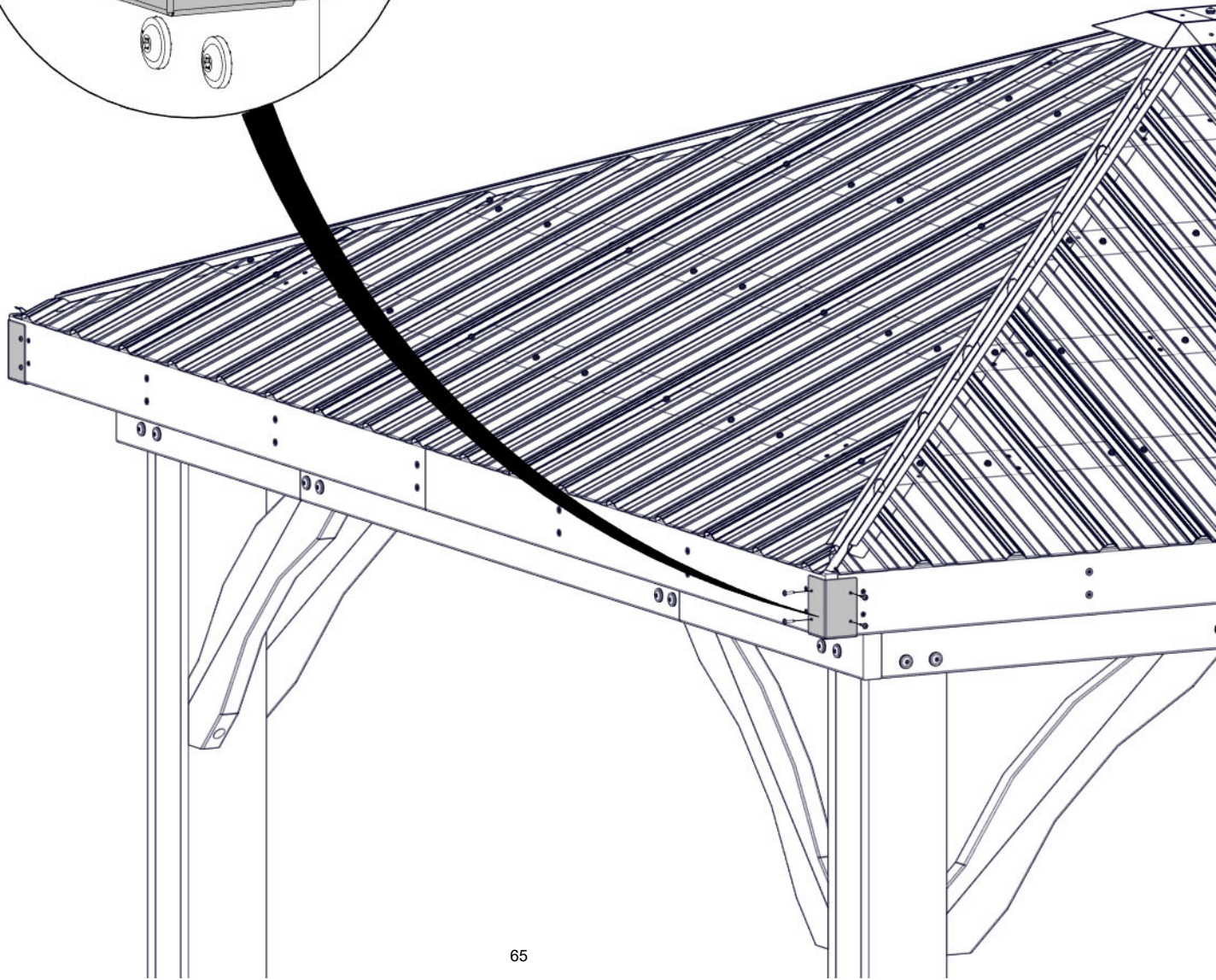
Qty	PART NUMBER	DESCRIPTION
16	H100392	SCREW PWH 8x3/4 BLK



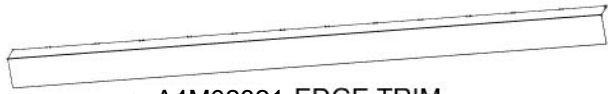
1185(x1)
CORNER BRACKET

REPEAT ON ALL FOUR CORNERS

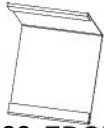
392 (x4)
SCREW - 3/4"



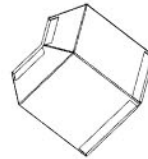
STEP 37 - 12FT ROOF TRIM



A4M02821 EDGE TRIM
(x4)



A4M02822 EDGE TRIM SPLICE
(x2)

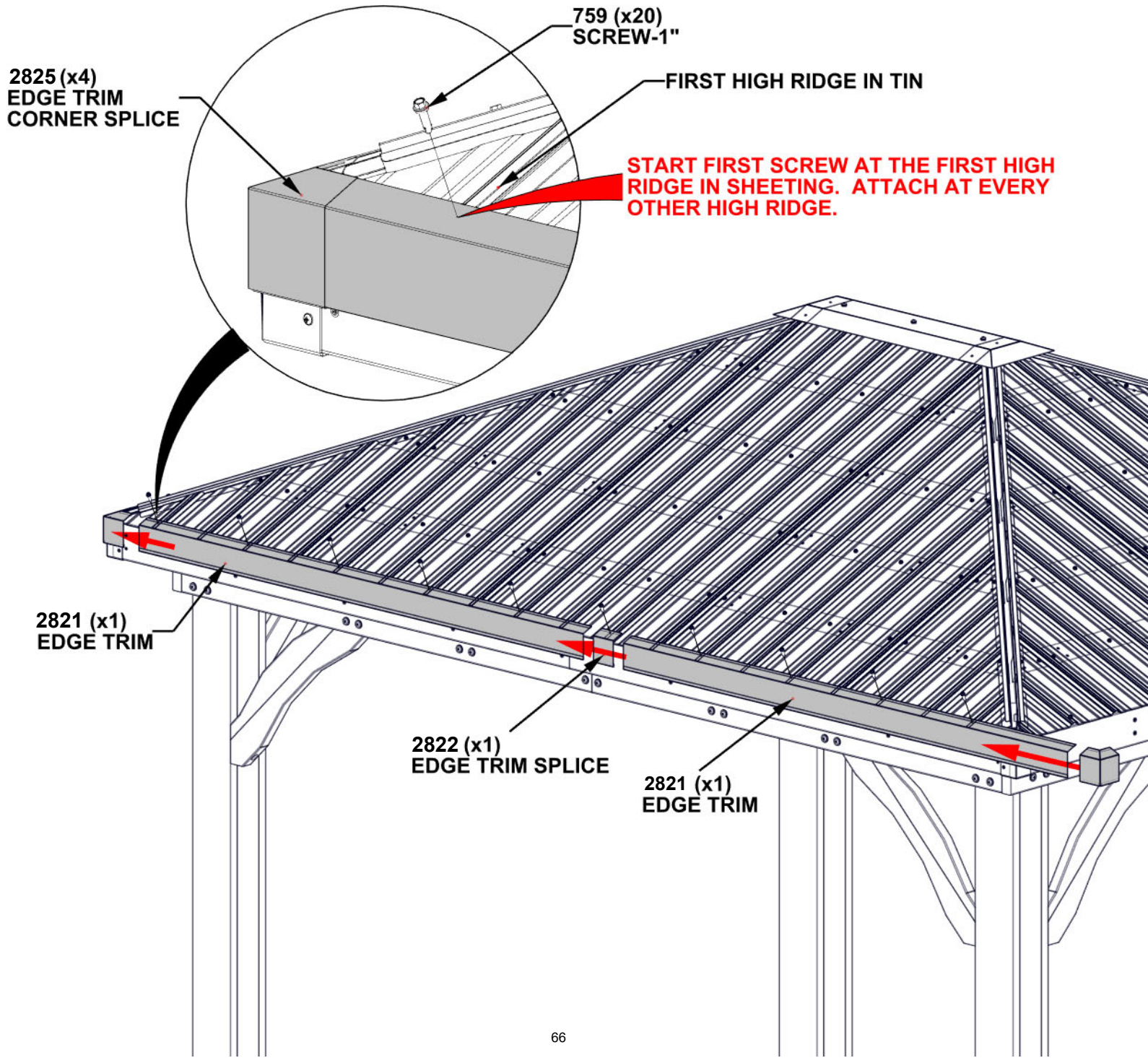


A4M02825 EDGE TRIM CORNER SPLICE
(x4)

Qty	PART NUMBER	DESCRIPTION
20	H100759	SCREW SELF TAPPING 1/4x1

TIPS:

- START ON THE LEFT SIDE OF THE 12FT PANEL.
- SLIDE EDGE TRIM PIECES TOGETHER AS SHOWN BELOW.
- MAKE SURE ALL PANELS ARE COVERED BEFORE INSTALLING SCREWS.
- INSTALL H100759 AS SHOWN.

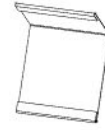


STEP 38 - 10FT ROOF TRIM

Qty	PART NUMBER	DESCRIPTION
16	H100759	SCREW SELF TAPPING 1/4x1



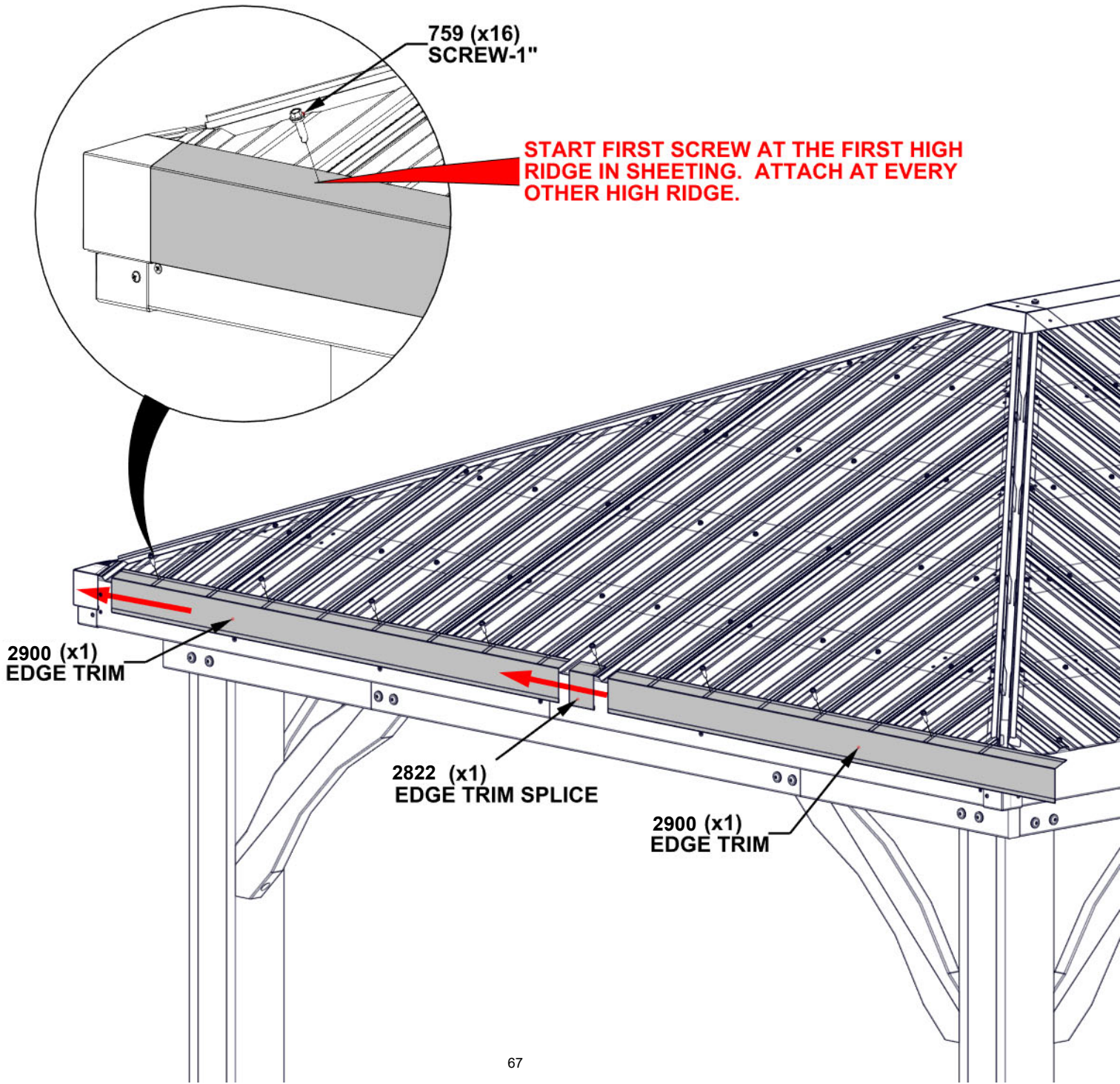
A4M02900 EDGE TRIM
(x4)



A4M02822 EDGE TRIM SPLICE
(x2)

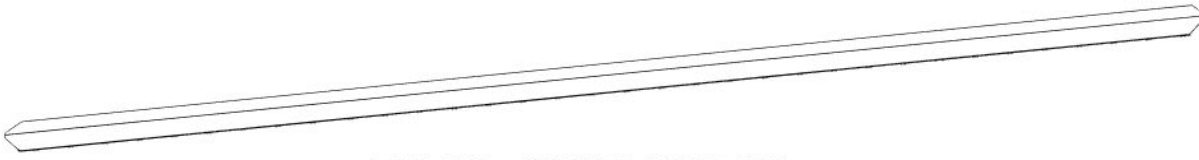
TIPS:

- START ON THE LEFT SIDE OF THE 12FT PANEL.
- SLIDE EDGE TRIM PIECES TOGETHER AS SHOWN BELOW.
- MAKE SURE ALL PANELS ARE COVERED BEFORE INSTALLING SCREWS.
- INSTALL H100759 AS SHOWN.



STEP 39 - ROOF ASSEMBLY

Qty	PART NUMBER	DESCRIPTION
8	H100759	SCREW SELF TAPPING 1/4x1

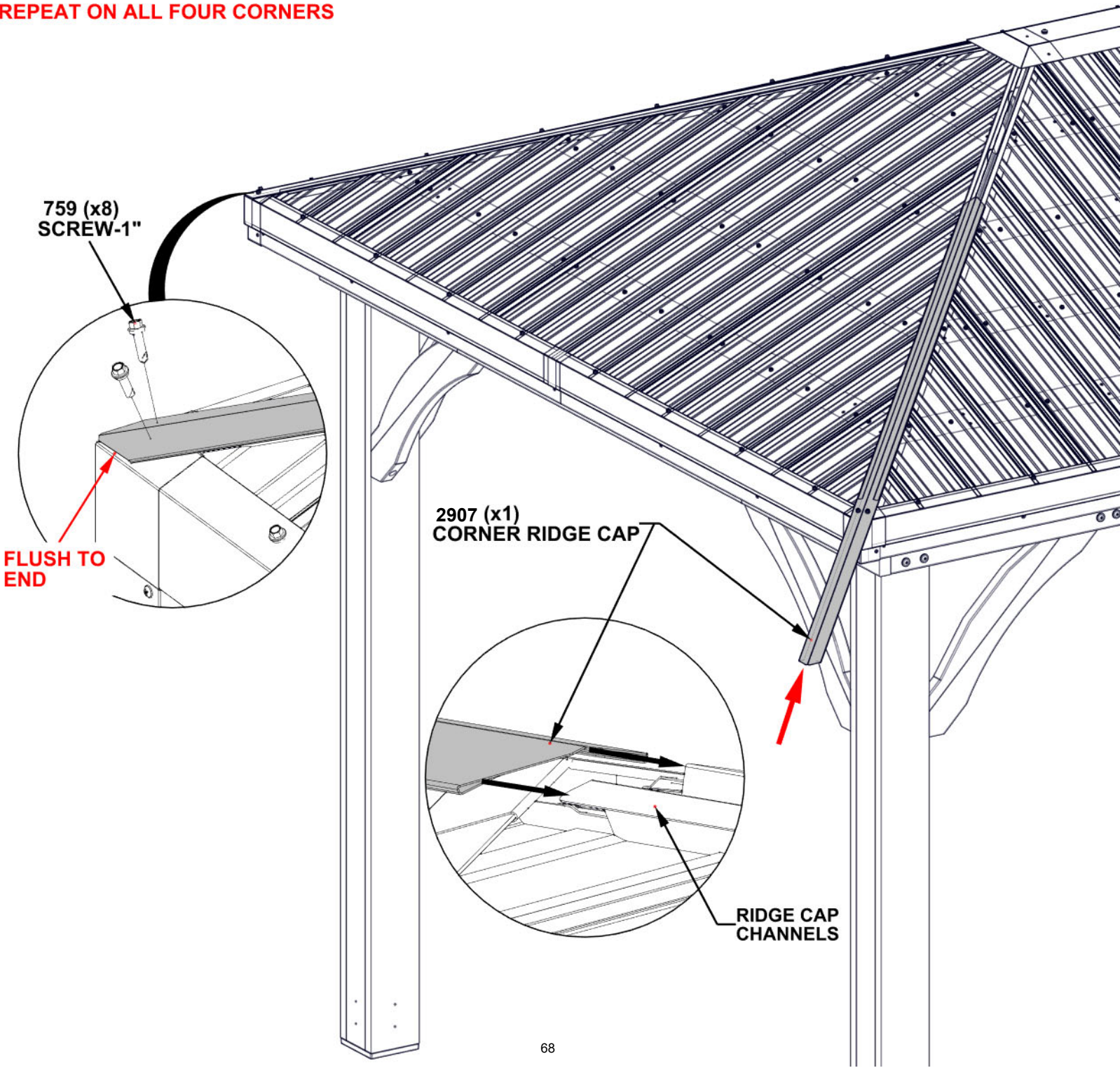


A4M02907 CORNER RIDGE CAP
(x4)

TIPS:

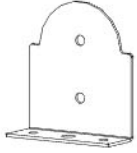
- SLIDE CORNER RIDGE CAP ONTO ROOF RIDGE CAP CHANNEL AS SHOWN.
- DO NOT PUSH ALL THE WAY TO THE TOP. FLUSH WITH CORNER OF GAZEBO AS SHOWN.

REPEAT ON ALL FOUR CORNERS

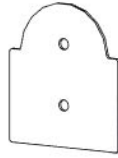


STEP 40 - GAZEBO ASSEMBLY

Qty	PART NUMBER	DESCRIPTION
32	H100471	LAG SCREW WH 5/16x1 1/2 BLK



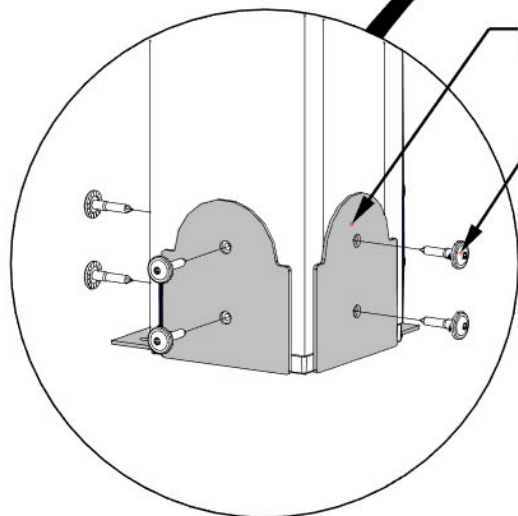
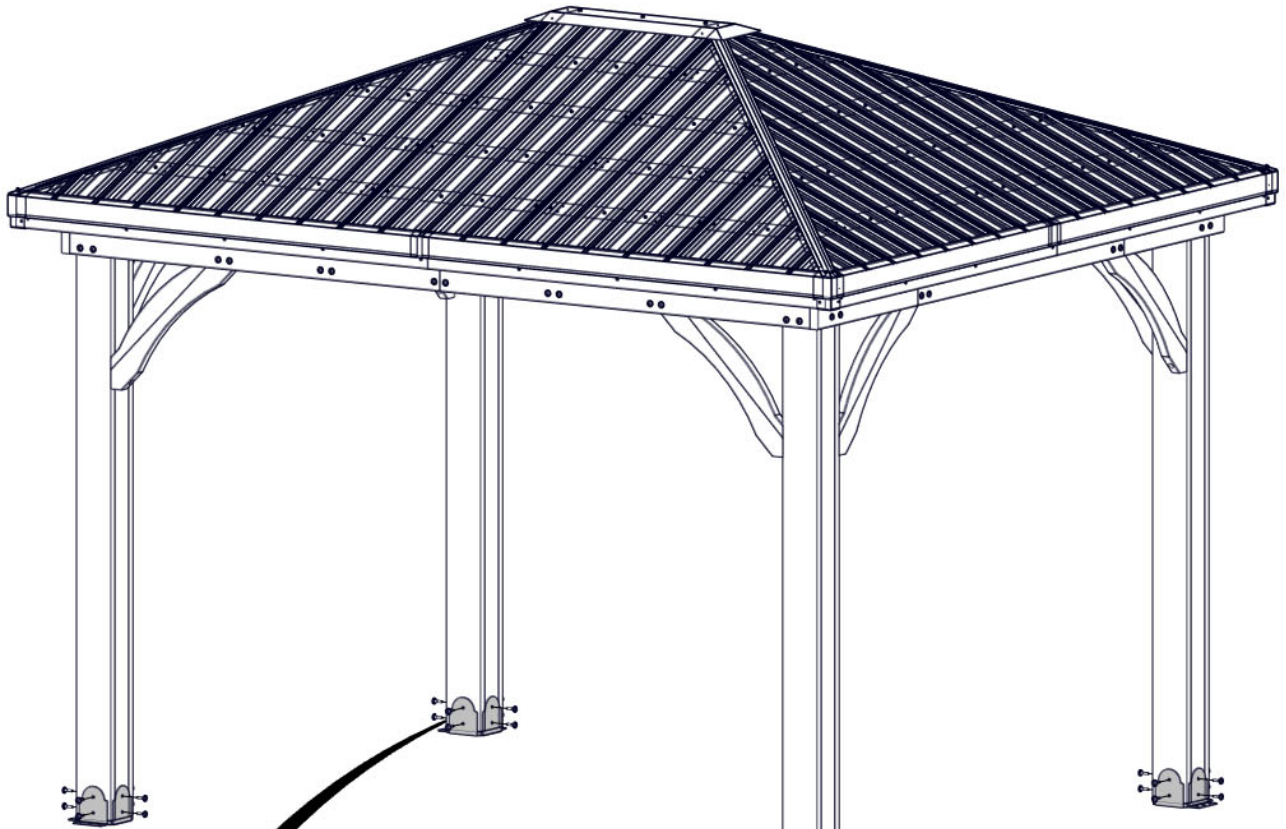
A4M01793 POST ANCHORING PLATE
(x8)



A4M01794 POST PLATE
(x8)

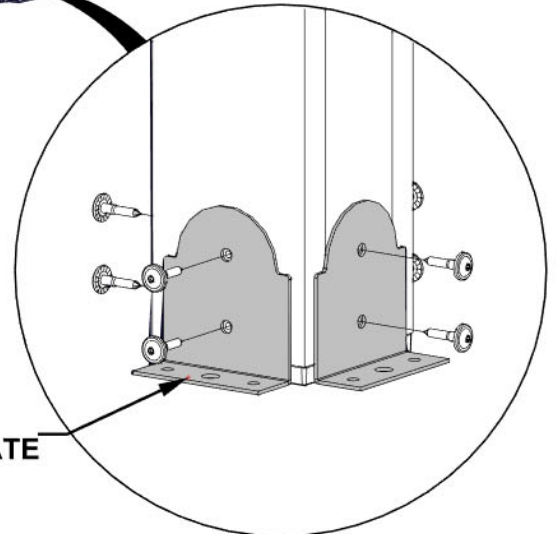
TIPS:

- ALL 1236 STEEL POST PLATES GO ON THE INSIDES OF THE POST AS SHOWN.
- ALL 1235 STEEL POST ANCHORING PLATES GO ON THE OUTSIDE OF THE POST AS SHOWN.



1794(x8)
POST PLATE

471 (x32)
LAG SCREW - 1 1/2"



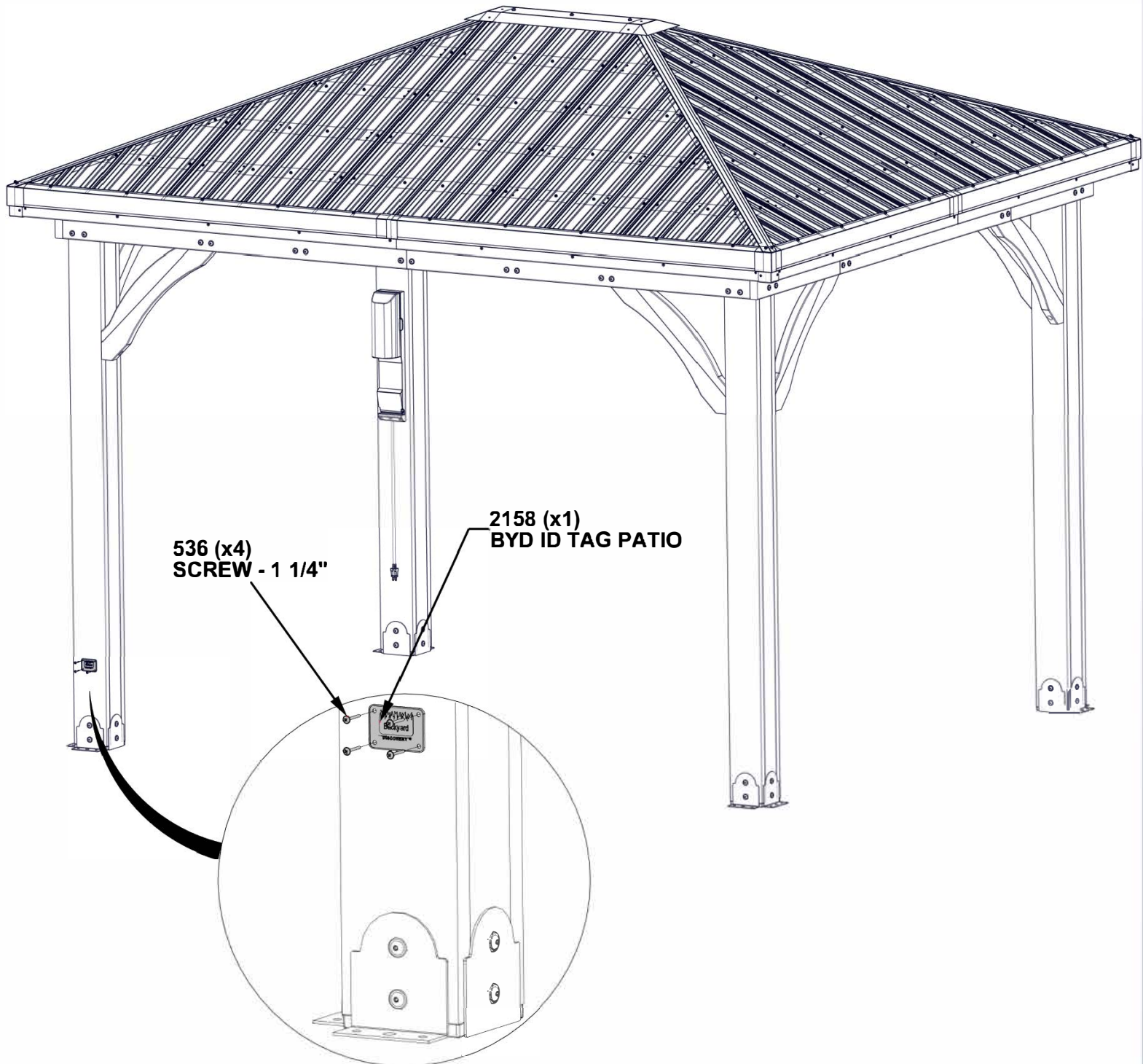
1793 (x8)
POST ANCHORING PLATE

STEP 41 - GAZEBO ASSEMBLY



QTY	PART NUMBER	DESCRIPTION
4	H100536	SCREW PWH 8x1 1/4 BLK

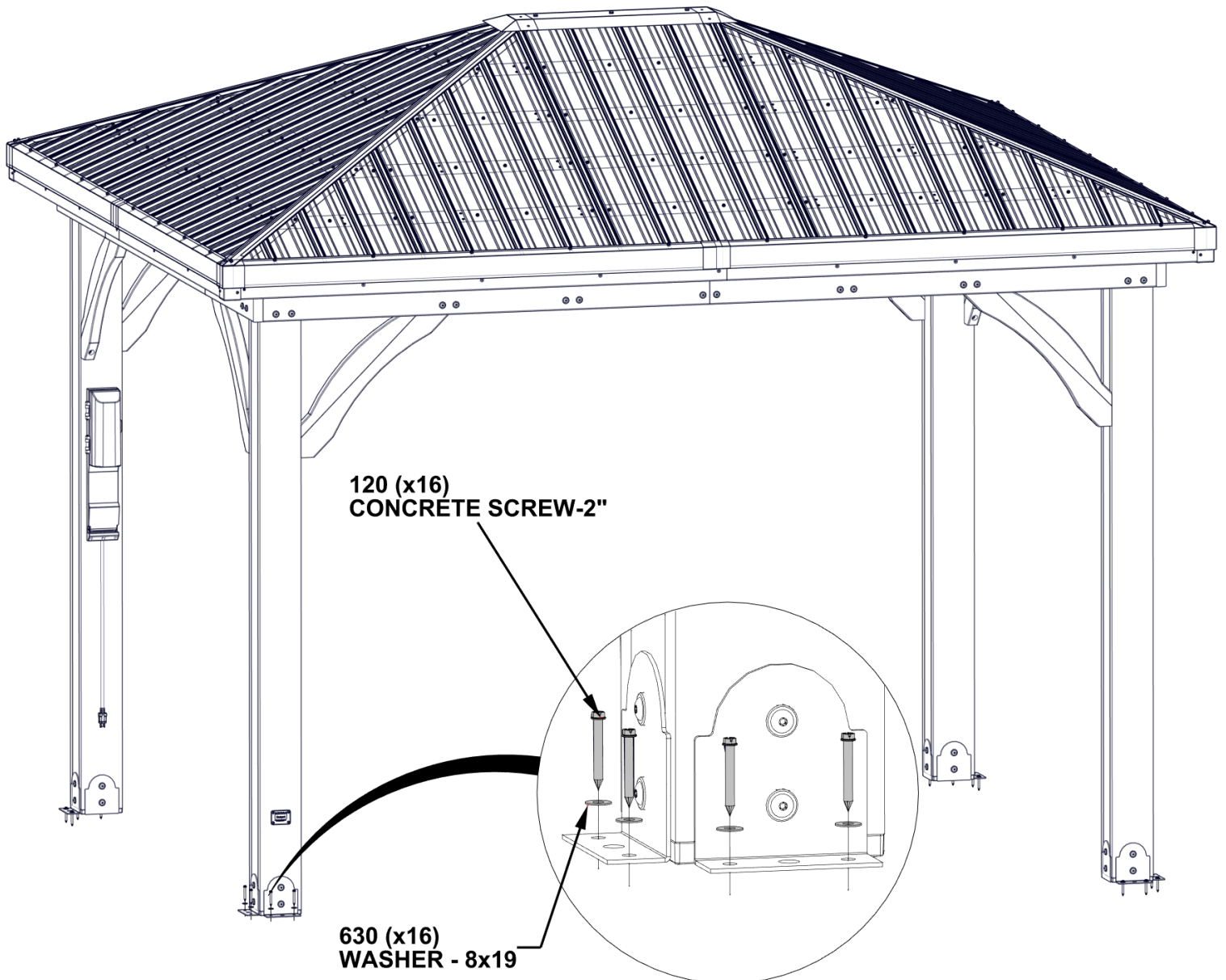
A4M02158
BYD ID TAG PATIO
(x1)



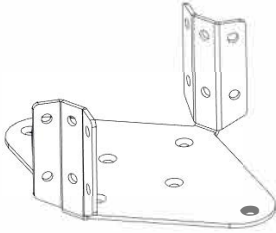
STEP 42 - GAZEBO ASSEMBLY

QTY	PART NUMBER	DESCRIPTION
16	H100630	WASHER FLAT 8x19 BLK
16	H100120	CONCRETE ANCHOR 1/4"x2"

NOTES:
MANUFACTURER RECOMMENDS INSTALLATION ON CONCRETE POST PADS, SEE BELOW FOR INSTILLATION ON A WOOD DECK, YOU MUST ENSURE THERE IS AMPLE STRUCTURAL SUPPORT UNDER DECK. SCREWS ARE NOT PROVIDED TO ATTACH TO A DECK



STEP 43 - GAZEBO ASSEMBLY (OPTIONAL)

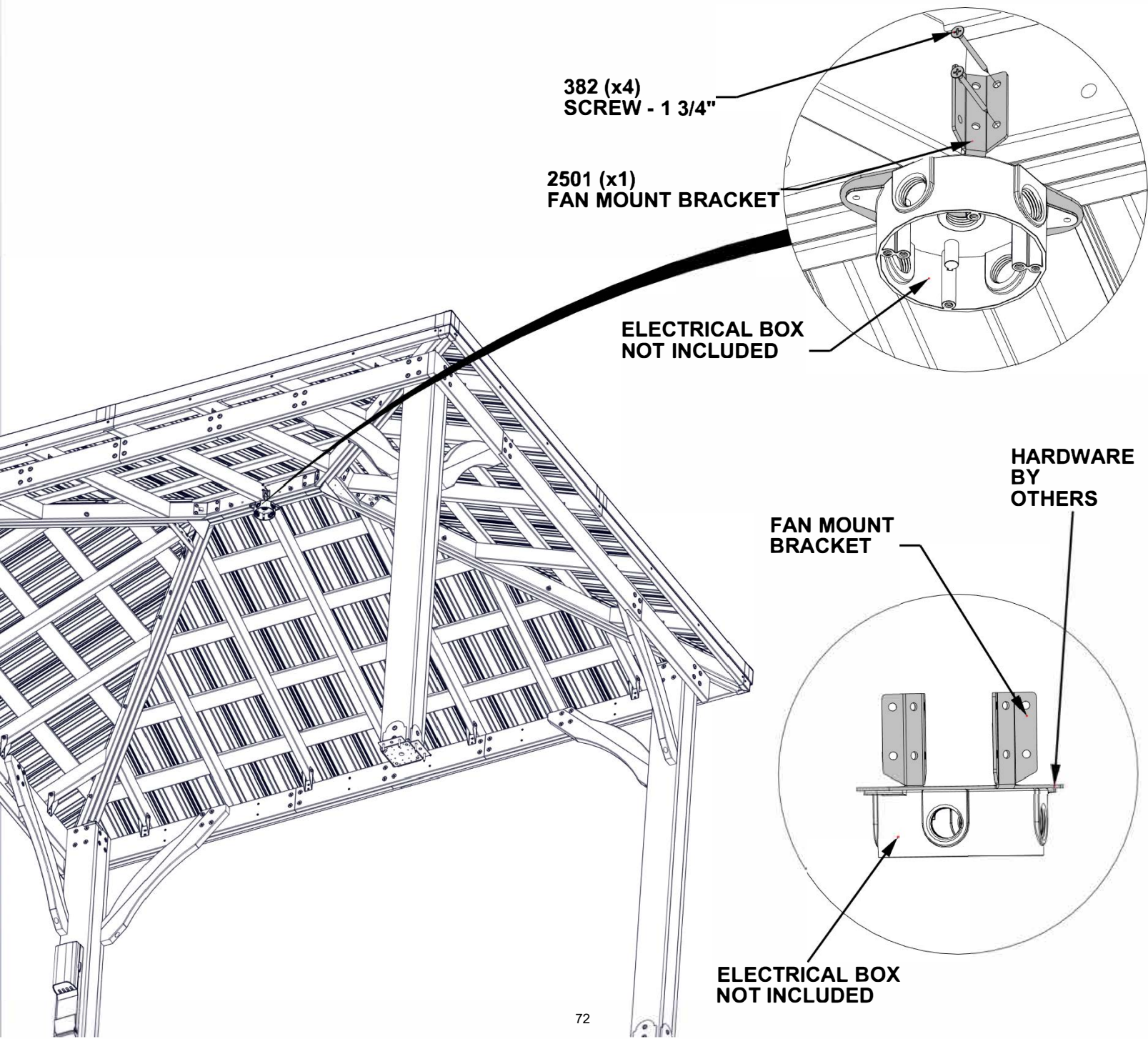


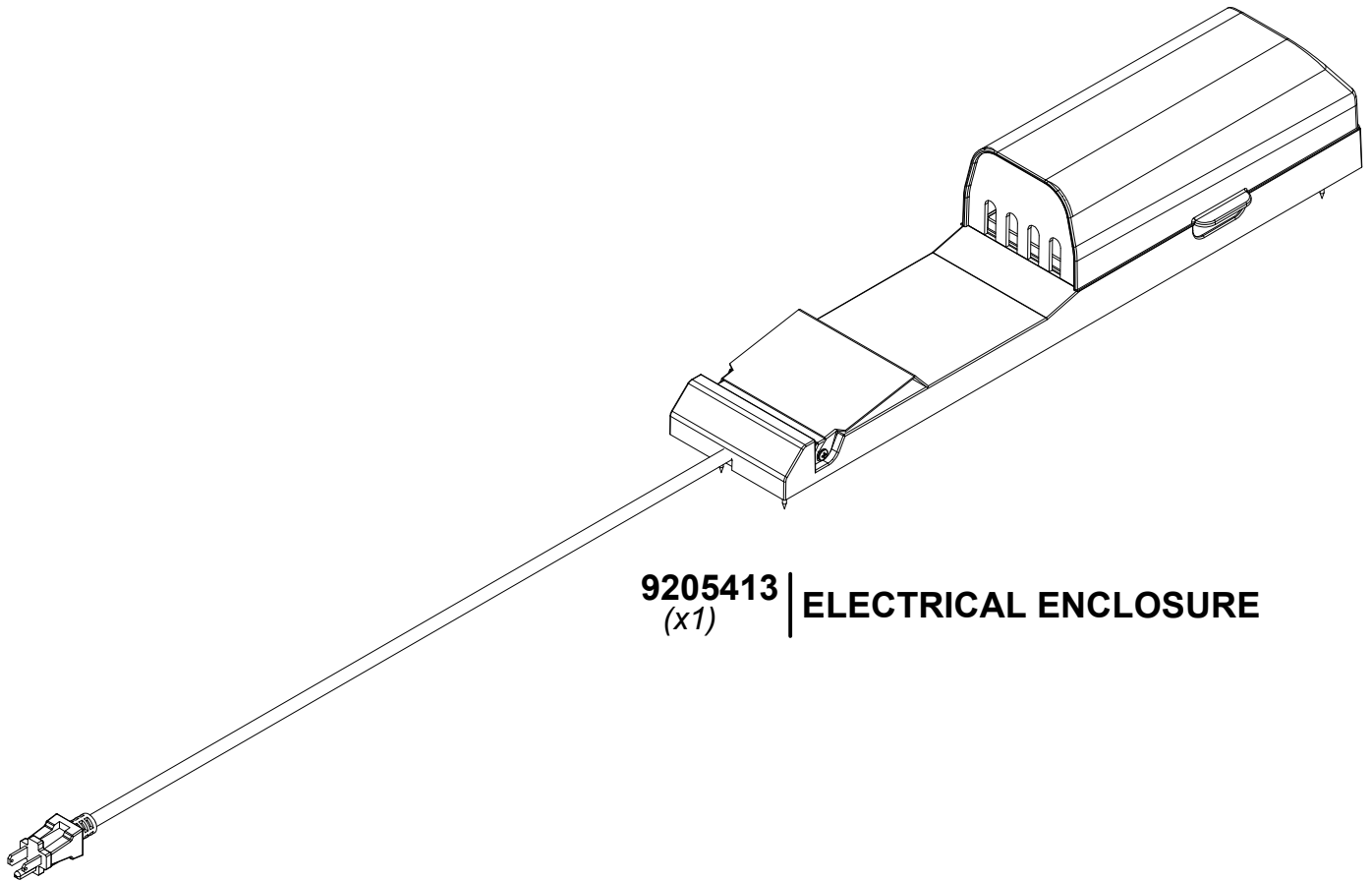
A4M02501 FAN MOUNT BRACKET
(x1)

QTY	PART NUMBER	DESCRIPTION
4	H100382	SCREW PFH 8x1 3/4 BLK

NOTE:

- ATTACH YOUR ELECTRICAL BOX (SOLD SEPERATELY) WITH THE PROVIDED HOLES IN FAN MOUNT BRACKET.
- PLACE FAN MOUNT BRACKET ON RIDGE BEAMS AND MOVE TO DESIRED FAN LOCATION.
- ROTATE BRACKET UNTIL MOUNTING FLANGES ALIGN BEST WITH RIDGE BEAMS.





9205413 | **ELECTRICAL ENCLOSURE**
(x1)

FOR POWERPORT INSTALLATION REFER TO ASSEMBLY INSTRUCTIONS THAT COME PACKAGED WITH THE POWERPORT KIT. INSTALL ON ANY POST THAT IS DESIRED. FOLLOW DIRECTIONS FOR PROPER INSTALLATION.