



Manufactured by:
Backyard Discovery
3305 Airport Drive, Pittsburg, KS 66762
800-856-4445

*Basepoint Business Centre: Rivermead Drive, Westlea, Swindon SN5 7EX Phone: 0800-118-2476 J.P. Coenstraat 7,
The Bridge, The Hague, 2595 WP, Netherlands Phone: 08005678990*

12x12 BARRINGTON GAZEBO GUTTER KIT

MODEL #: 9240452



Please visit www.backyarddiscovery.com

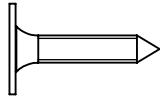
For the most up to date assembly manual, to register your product, or to order

replacement parts Para obtener instrucciones en español, visite

www.backyarddiscovery.com

OWNER'S MANUAL - PARTS IDENTIFICATION

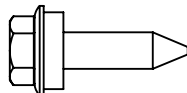
Hardware Components



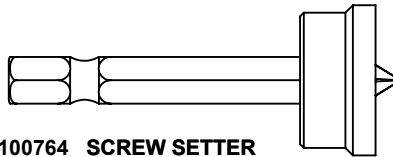
H101205 SCREW PWH BLK
(x8) 8x3/4



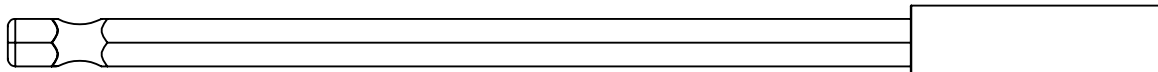
H101415 SCREW SELF PIERCING
(x18) #8-15x3/4



H101480 SCREW SELF TAPPING
(x20) #9-1/4x1



H100764 SCREW SETTER
(x1)



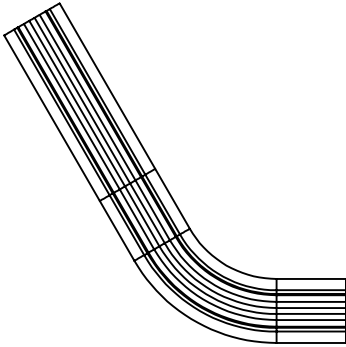
H101278 6" MAGNETIC DRIVER EXTENSION
(x1)



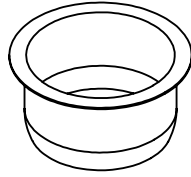
A6P01531 10 OZ SILICONE TUBE
(x1)

OWNER'S MANUAL - PARTS IDENTIFICATION

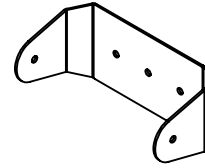
Accessory Components (NOT TO SCALE)



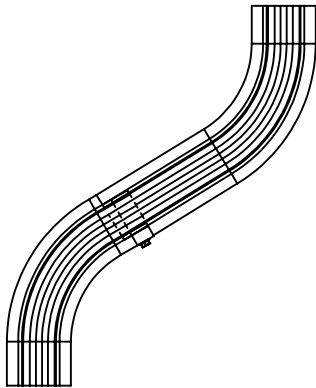
A4M05880 DOWNSPOUT ELBOW - LONG
(x2) 3"x10 5/8"x10 11/16" (76x270x271)



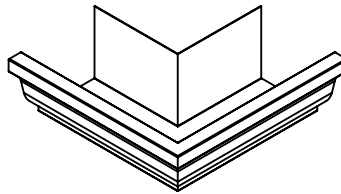
A4M04761 DOWNSPOUT OUTLET
(x2) 1 7/16"x2 7/8" (37x73)



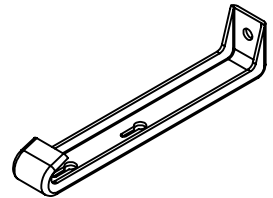
A4M06338 GUTTER CLIP
(x4) 1 7/16"x1 7/16"x3 1/8" (37x37x79)



A4M05878 DOWNSPOUT OFFSET - 8IN
(x2) 3"x9 5/8"x12 9/16" (76x244x319)



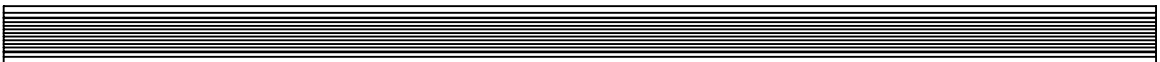
A4M05873 OUTSIDE CORNER MITER
(x4) 3 11/16"x4 7/8"x4 7/8" (94x124x124)



A4M04759 GUTTER HANGER
(x20) 3/4"x1"x4 15/16" (19x25x125)



A4M05874 GUTTER
(x2) 3 5/8"x5"x139" (92x127x3531)



A4M06340 DOWNSPOUT - 5FT
(x2) 2"x3"x60" (51x76x1524)



A4M06344 GUTTER W/ OUTLET
(x2) 3 5/8"x5"x139" (92x127x3531)

PRE-ASSEMBLY STEP 1 - SORTING PARTS

It is critical for ease of assembly that you take the time to sort and organize the parts and hardware.

HARDWARE PARTS:

- We recommend that you have a separate table to organize the hardware.
- Hardware bags are printed with a seven-digit, alpha-numeric part number.
- You can organize your hardware by part number or group by hardware type (e.g. bolts, nuts, etc.).
- During assembly you only need to reference the last four digits of the number.



TOOLS REQUIRED:



Cordless Drill or
Electric Drill



Caulk Gun



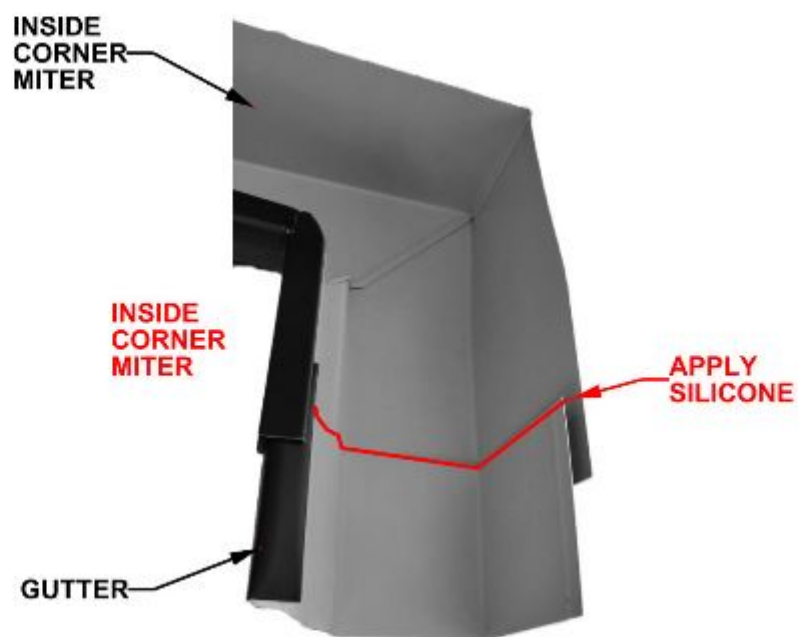
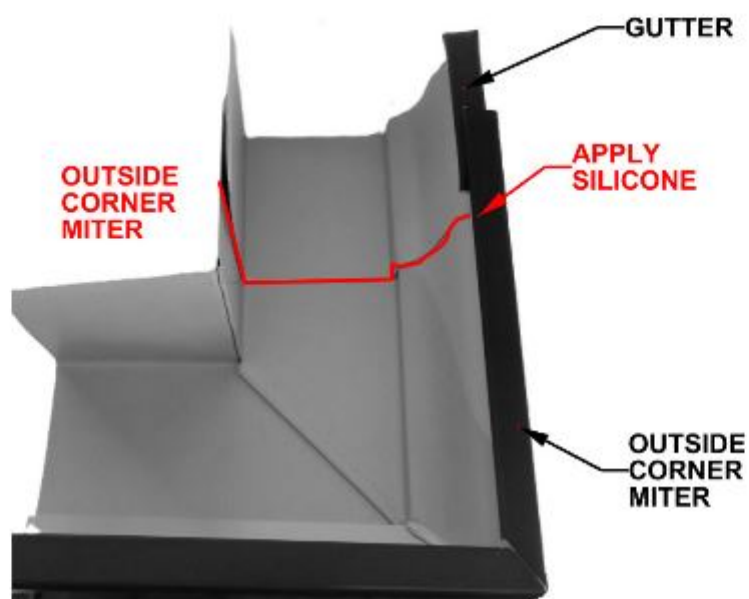
1/8" Drill Bit



Tape Measure

OUTSIDE/INSIDE CORNER MITER PAGE

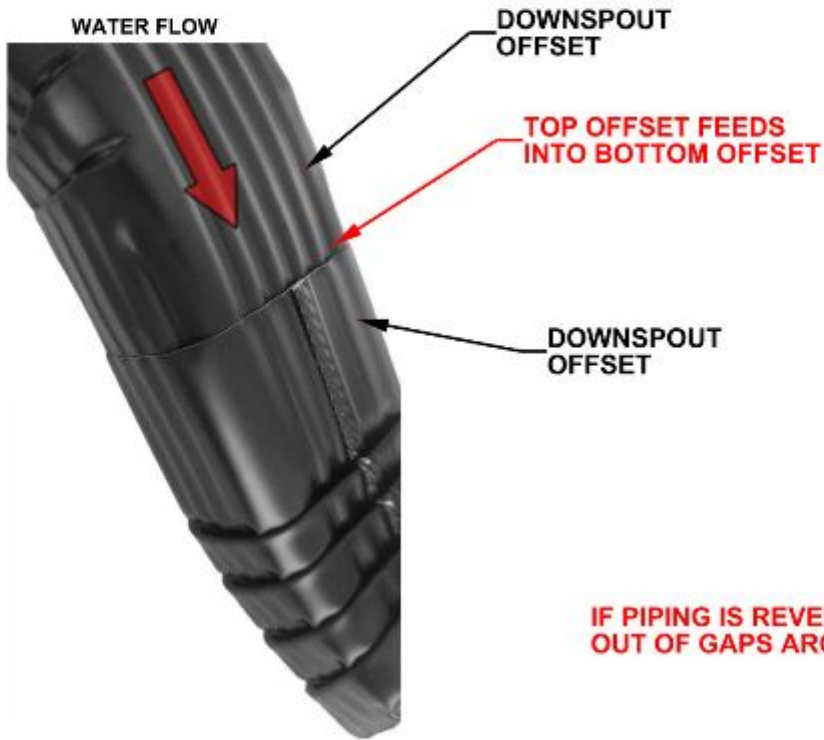
NOTE:
- AFTER GUTTER KIT HAS BEEN INSTALLED, IT IS CRITICAL TO CAULK CORNER MITER JOINTS TO PREVENT LEAKS.



WAIT APPROXIMATELY 45 MINUTES FOR SILICONE TO BE COME TACKY.
AFTER 24 HOURS, SILICONE HAS CURED AND CAN HOLD WATER

OFFSET ORIENTATION

TO ENSURE WATER FLOWS PROPERLY, IT IS IMPORTANT TO ORIENT DOWNSPOUT PIPING CORRECTLY. STARTING AT THE TOP, DOWNSPOUTS MUST FEED INTO THE NEXT SECTION AS SHOWN.



IF PIPING IS REVERSED, WATER WILL RUN OUT OF GAPS AROUND JOINTS

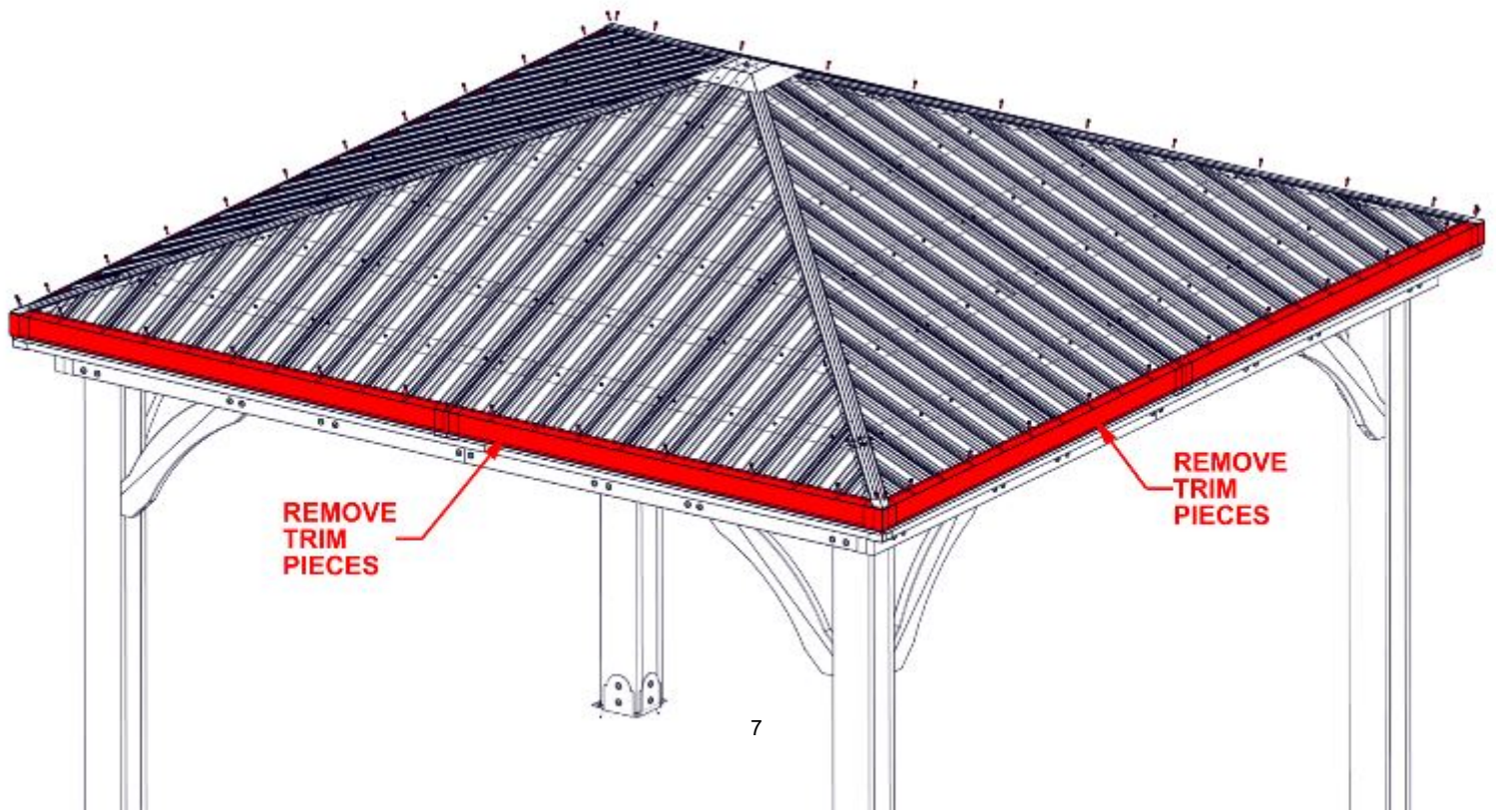
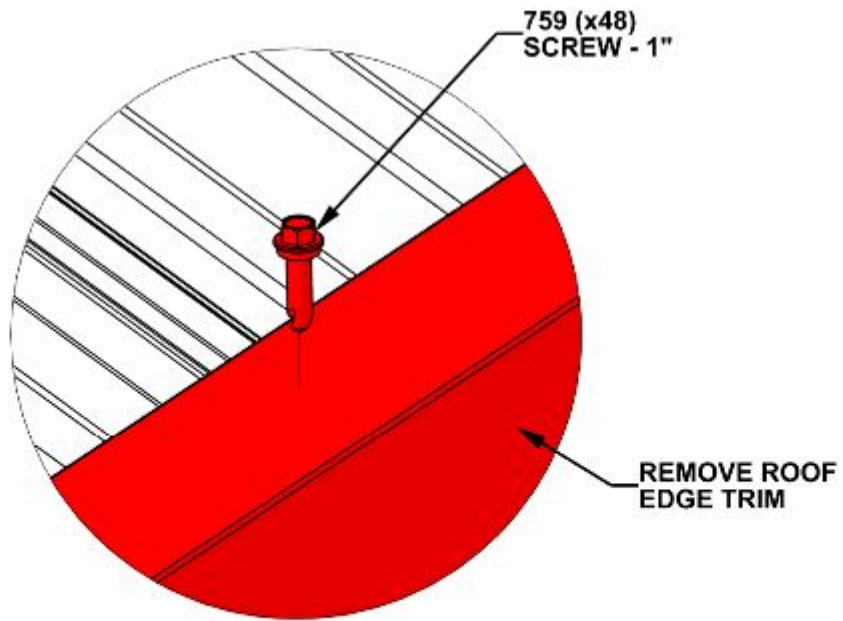


STEP 1A - REMOVE EDGE TRIM

QTY	PART NUMBER	DESCRIPTION
48	H100759	SCREW SELF TAPPING 1/4x1

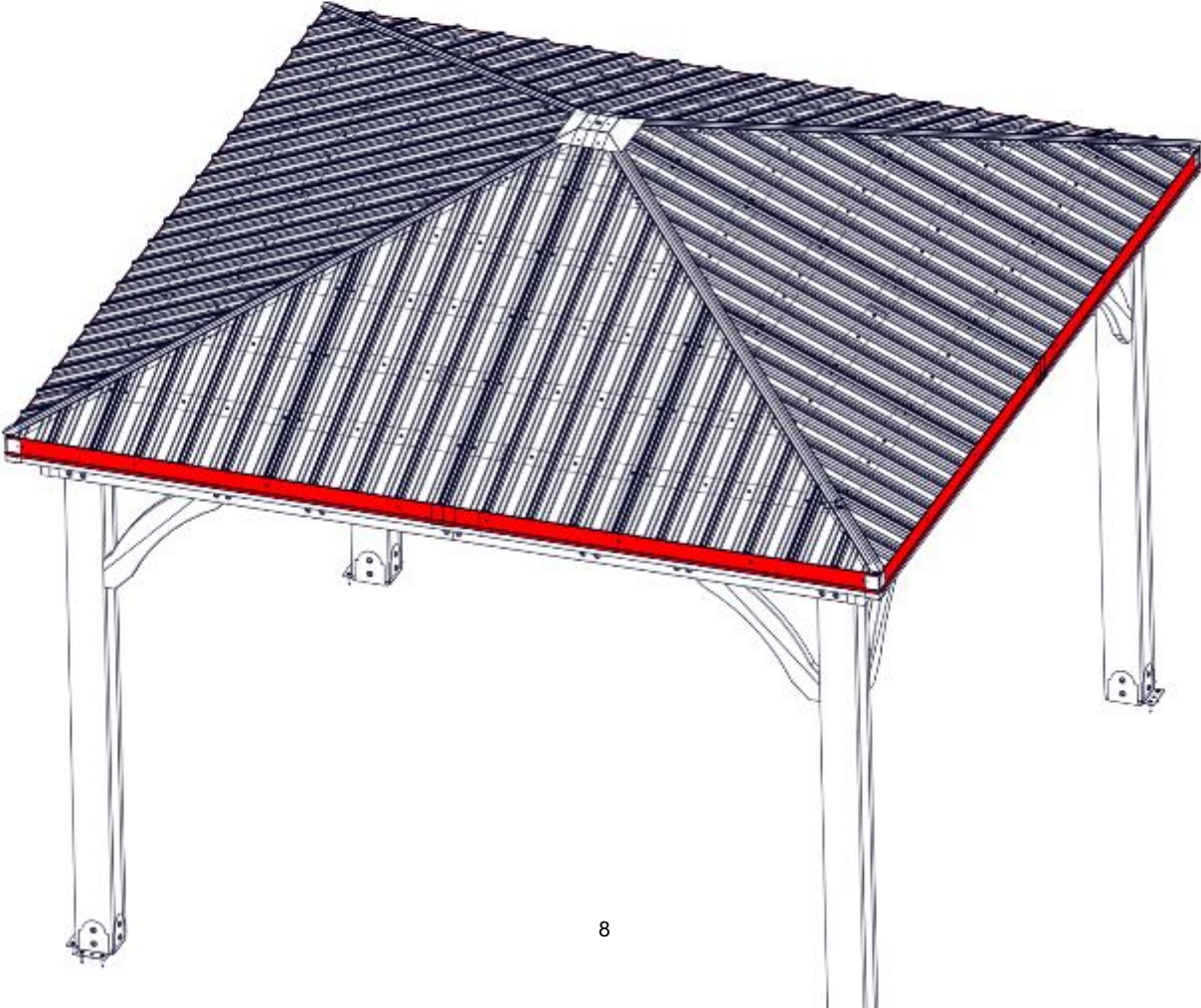
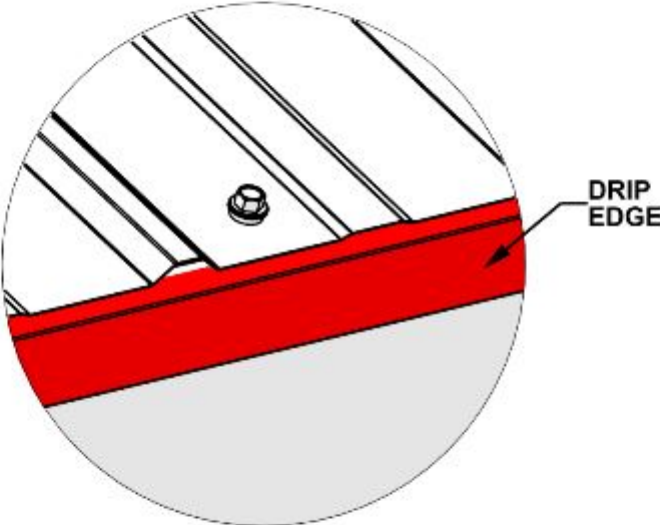
ATTENTION: IF YOU HAVE AN EDGE TRIM ON TOP OF THE ROOF SHEET AS SHOWN FOLLOW STEP 1A FOR REMOVAL. AFTER COMPLETED MOVE ON TO STEP 2.

- REMOVE EDGE TRIM, EDGE TRIM SPLICE, AND CORNER TRIM SPLICE BY REMOVING HARDWARE ALONG EDGE.

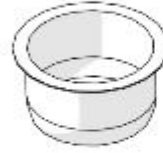


STEP 1B - REMOVE EDGE TRIM

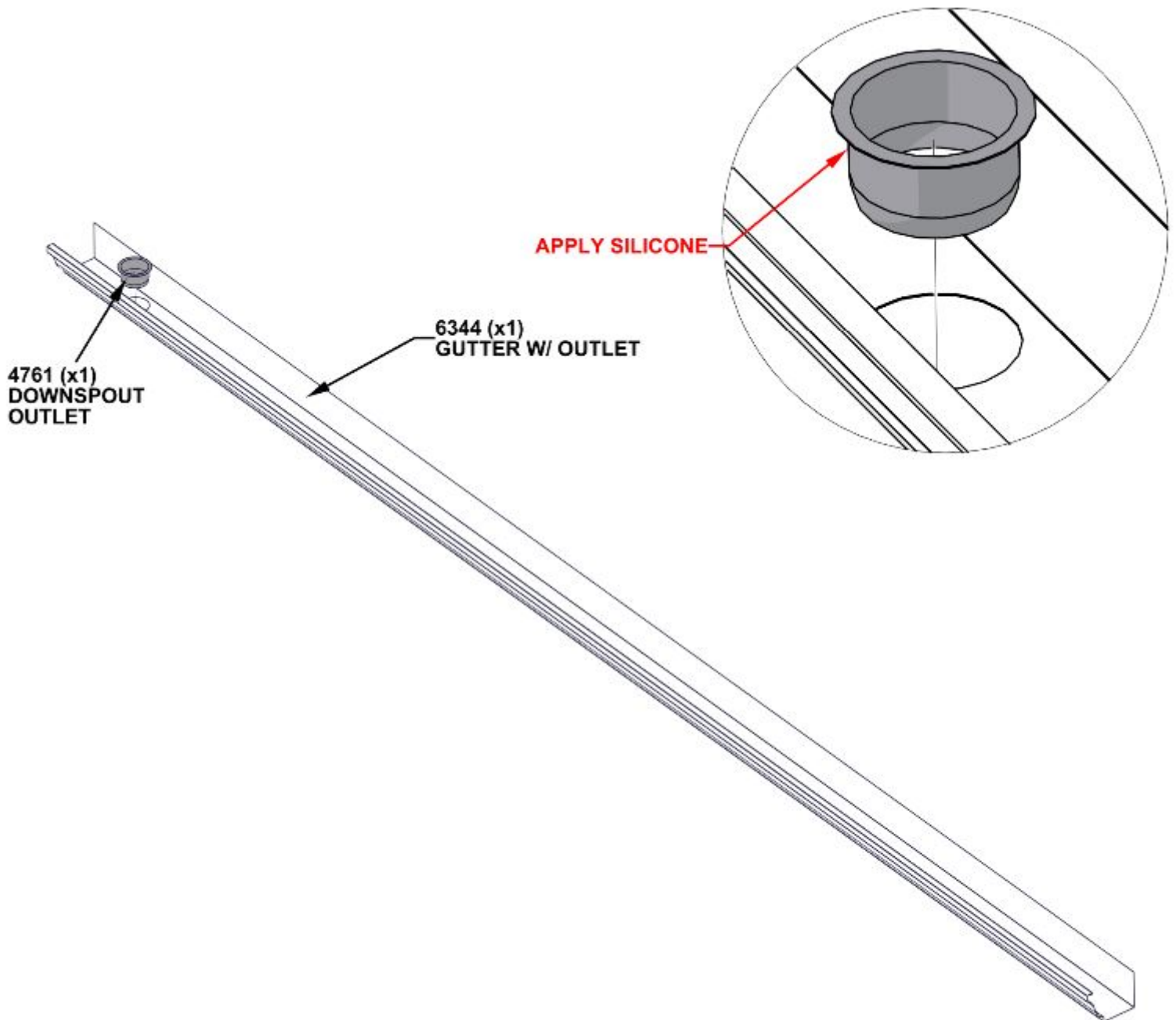
ATTENTION: IF YOU HAVE A DRIP EDGE UNDER THE ROOF SHEET AS SHOWN PROCEED TO STEP 2 FOR GUTTER INSTALLATION.



STEP 2 - GAZEBO ASSEMBLY

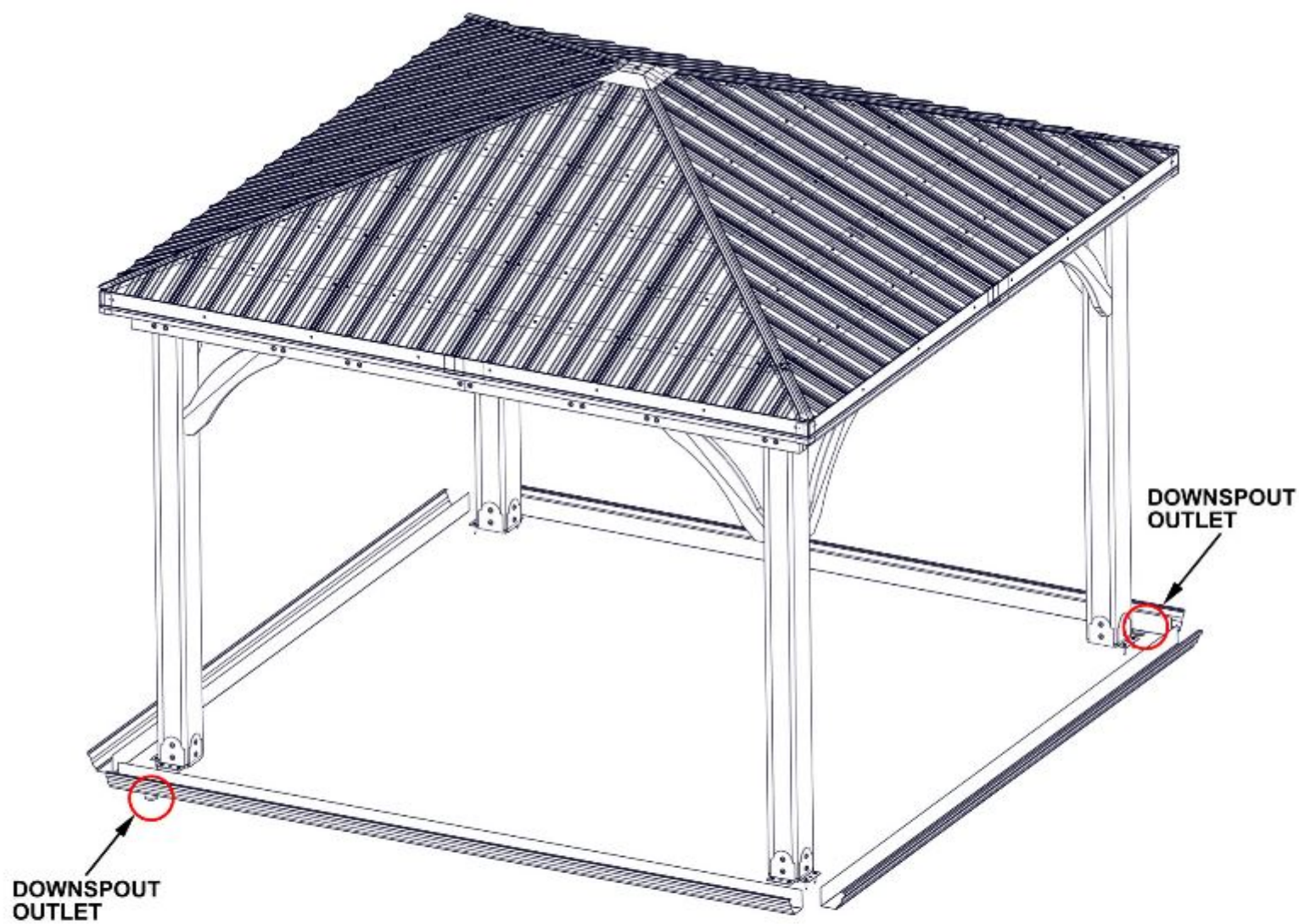


- APPLY A BEAD OF SILICONE AROUND THE DOWNSPOUT OUTLET AND PLACE OUTLET INSIDE GUTTER.
- WAIT APPROXIMATELY 45 MINUTES TO LET SILICONE CURE BEFORE ATTACHING DOWNSPOUT.



STEP 3 - GUTTER ASSEMBLY

- LAY GUTTERS AROUND THE GAZEBO TO DETERMINE WHERE DOWNSPOUTS WILL BE LOCATED PRIOR TO STARTING ASSEMBLY.
- DOWNSPOUTS SHOULD BE INSTALLED ON OPPOSITE CORNERS.



STEP 4 - GUTTER ASSEMBLY

QTY	PART NUMBER	DESCRIPTION
4	H101480	SCREW SELF TAPPING #9-1/4x1



GUTTER ASSEMBLY W/ OUTLET
(x2)



A4M04759 GUTTER HANGERS
(x4)

- SLIDE GUTTER ASSEMBLY UP UNDER DRIP EDGE AND FLUSH BOTTOM OF GUTTER WITH WOOD BOARD.
- CENTER GUTTER ASSEMBLY AND ENSURE DOWNSPOUT IS CENTERED TO POST.
- INSTALL THE 2 OUTSIDE HANGERS 4" [100mm] FROM EDGES OF ROOF.
- USE A CLAMP TO HOLD GUTTER TO WOODEN BEAM FOR ASSISTANCE.
- COMPLETE THIS STEP FOR BOTH DOWNSPOUT SIDES, PAY ATTENTION TO DOWNSPOUT LOCATIONS.

PRE-DRILL 1/8" [3mm]
PILOT HOLES FOR
EASE OF ASSEMBLY

1480 (x6)
SCREW - 1"

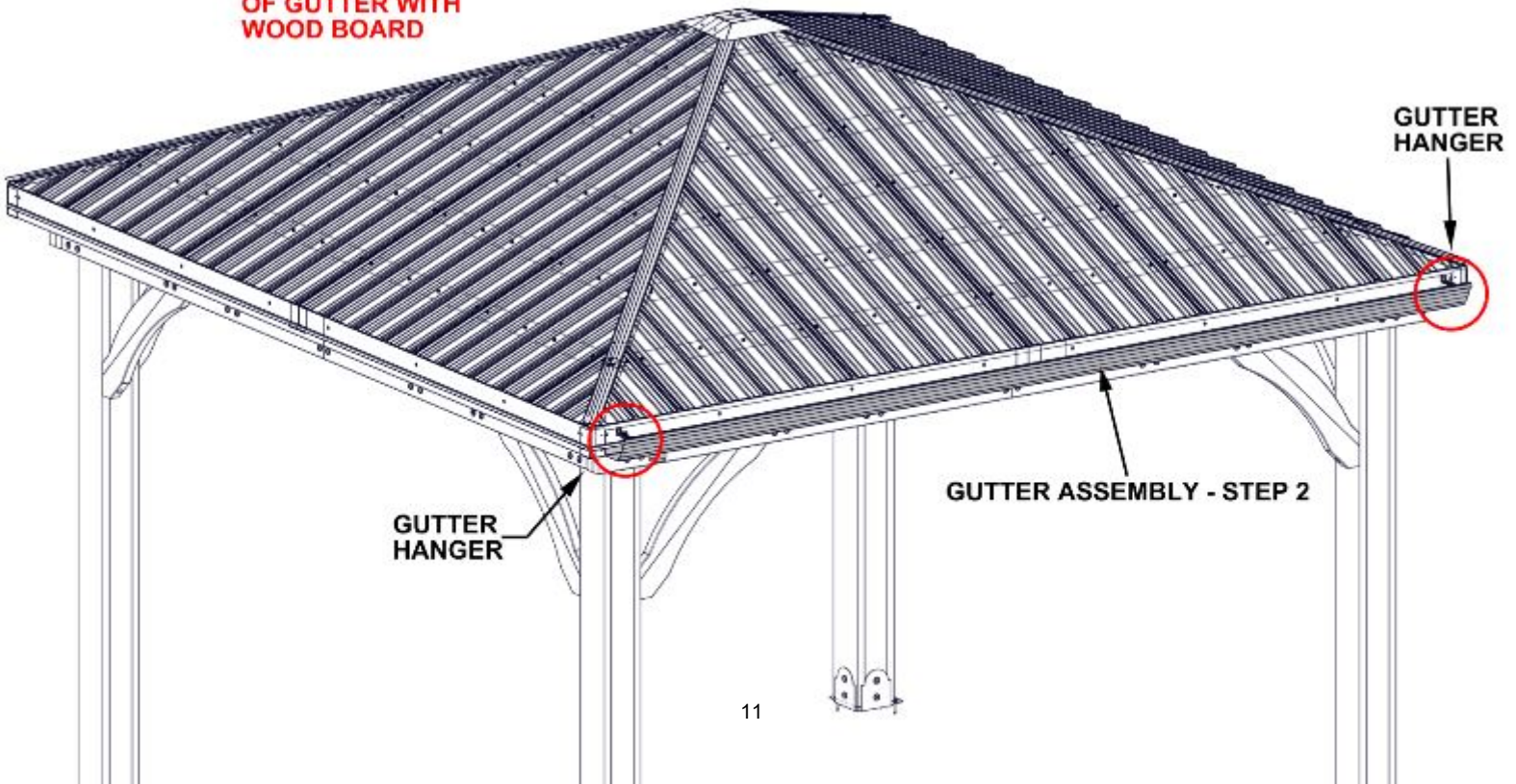
4759 (x2)
GUTTER
HANGER

4" [100mm]

SLIDE GUTTER
UNDER DRIP EDGE

USE THE CORNER
BRACKETS AS A
REFERENCE TO
CENTER GUTTER

FLUSH BOTTOM SIDE
OF GUTTER WITH
WOOD BOARD



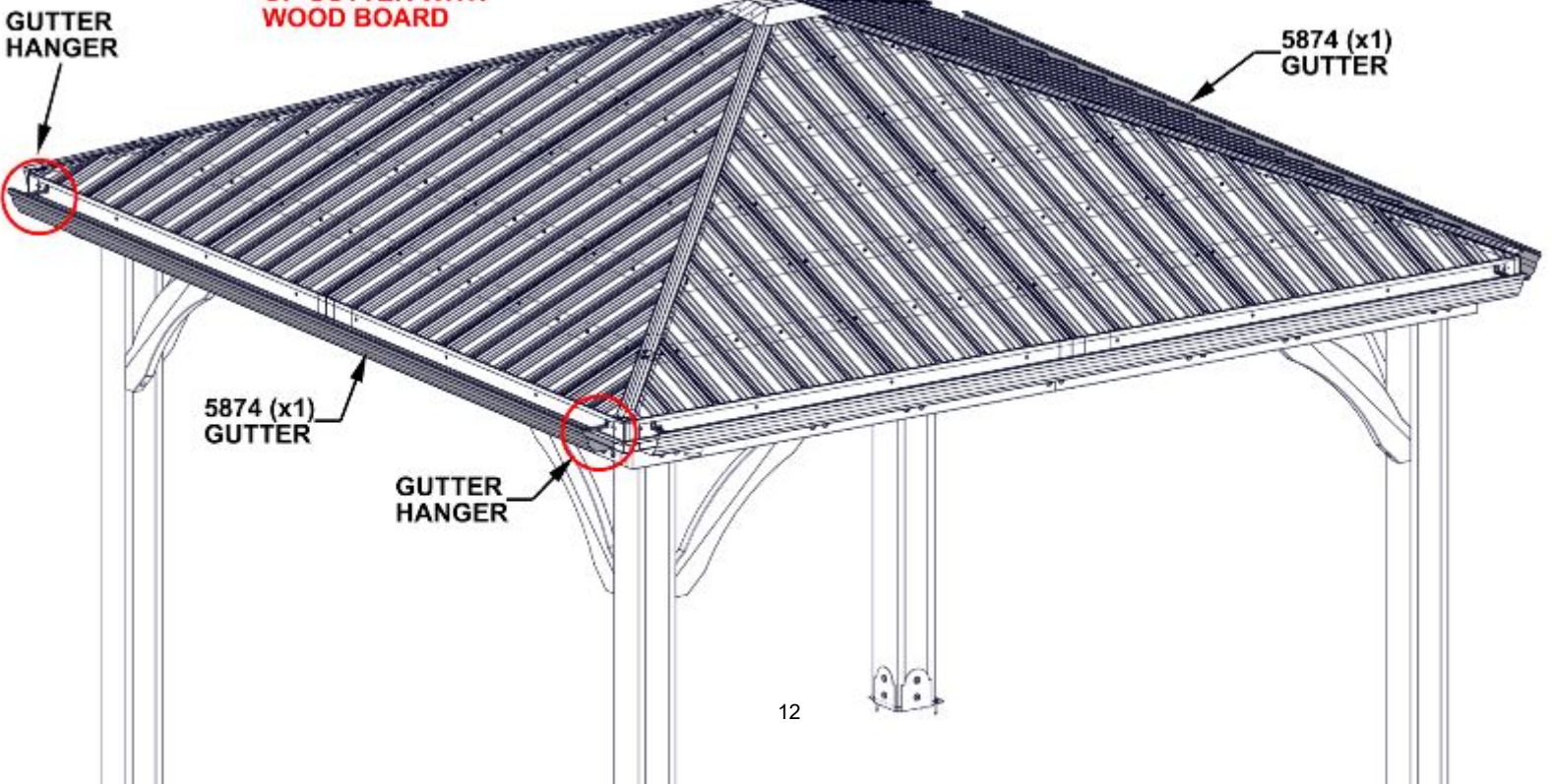
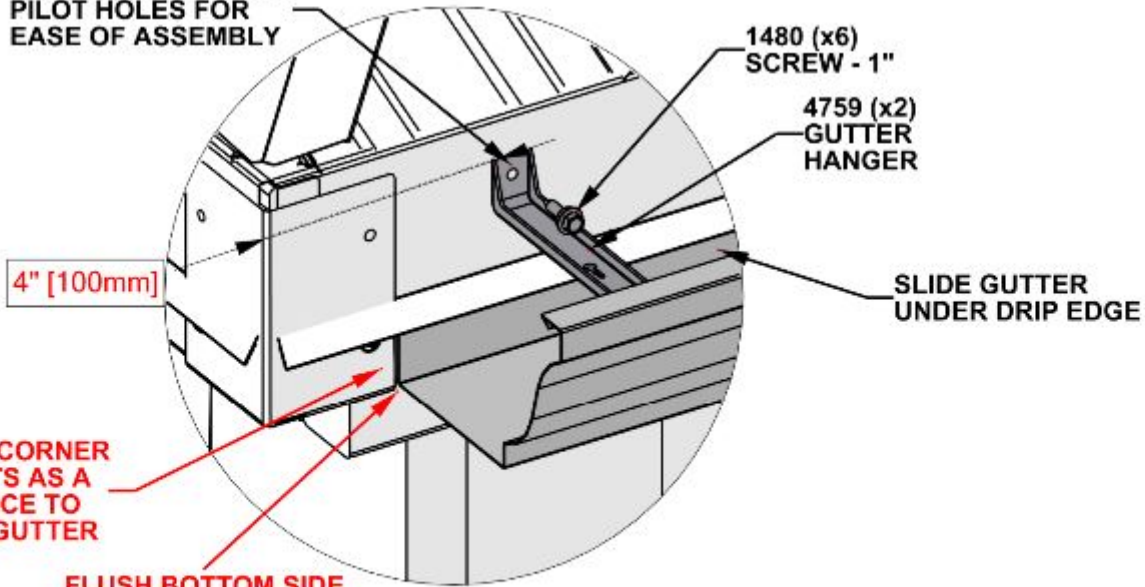
STEP 5 - GUTTER ASSEMBLY

QTY	PART NUMBER	DESCRIPTION
4	H101480	SCREW SELF TAPPING #9-1/4x1

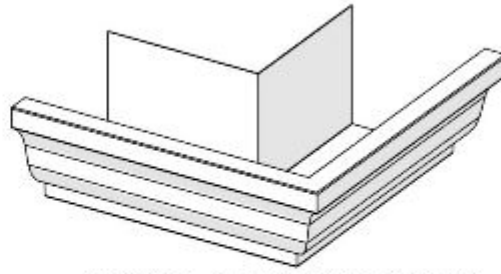


- SLIDE GUTTER UP UNDER DRIP EDGE AND FLUSH BOTTOM OF GUTTER WITH WOOD BOARD.
- CENTER GUTTER BETWEEN BRACKETS.
- INSTALL THE 2 OUTSIDE HANGERS 4" [100mm] FROM EDGES OF ROOF.
- USE A CLAMP TO HOLD GUTTER TO WOODEN BEAM FOR ASSISTANCE.
- COMPLETE THIS STEP FOR BOTH SIDES OF GAZEBO.

PRE-DRILL 1/8" [3mm] PILOT HOLES FOR EASE OF ASSEMBLY

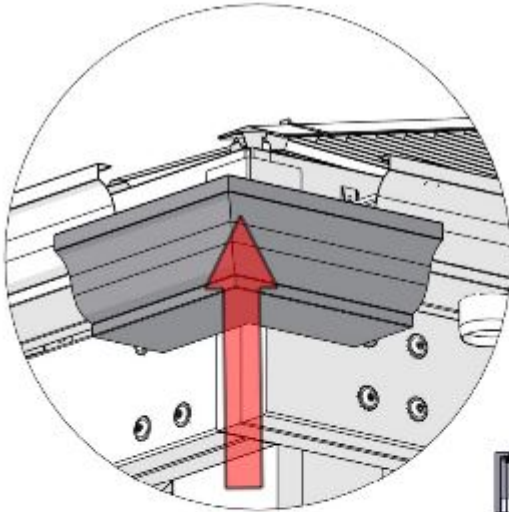


STEP 6 - GUTTER ASSEMBLY



A4M05873 OUTSIDE CORNER MITER
(x4)

- SLIDE OUTSIDE CORNER MITER OVER GUTTERS AND ENSURE MITER BOX IS SLID UP UNDER DRIP EDGE.
- COMPLETE THIS STEP FOR ALL 4 CORNERS OF GAZEBO.



5873 (x1)
OUTSIDE
CORNER
MITER

5873 (x1)
OUTSIDE
CORNER
MITER

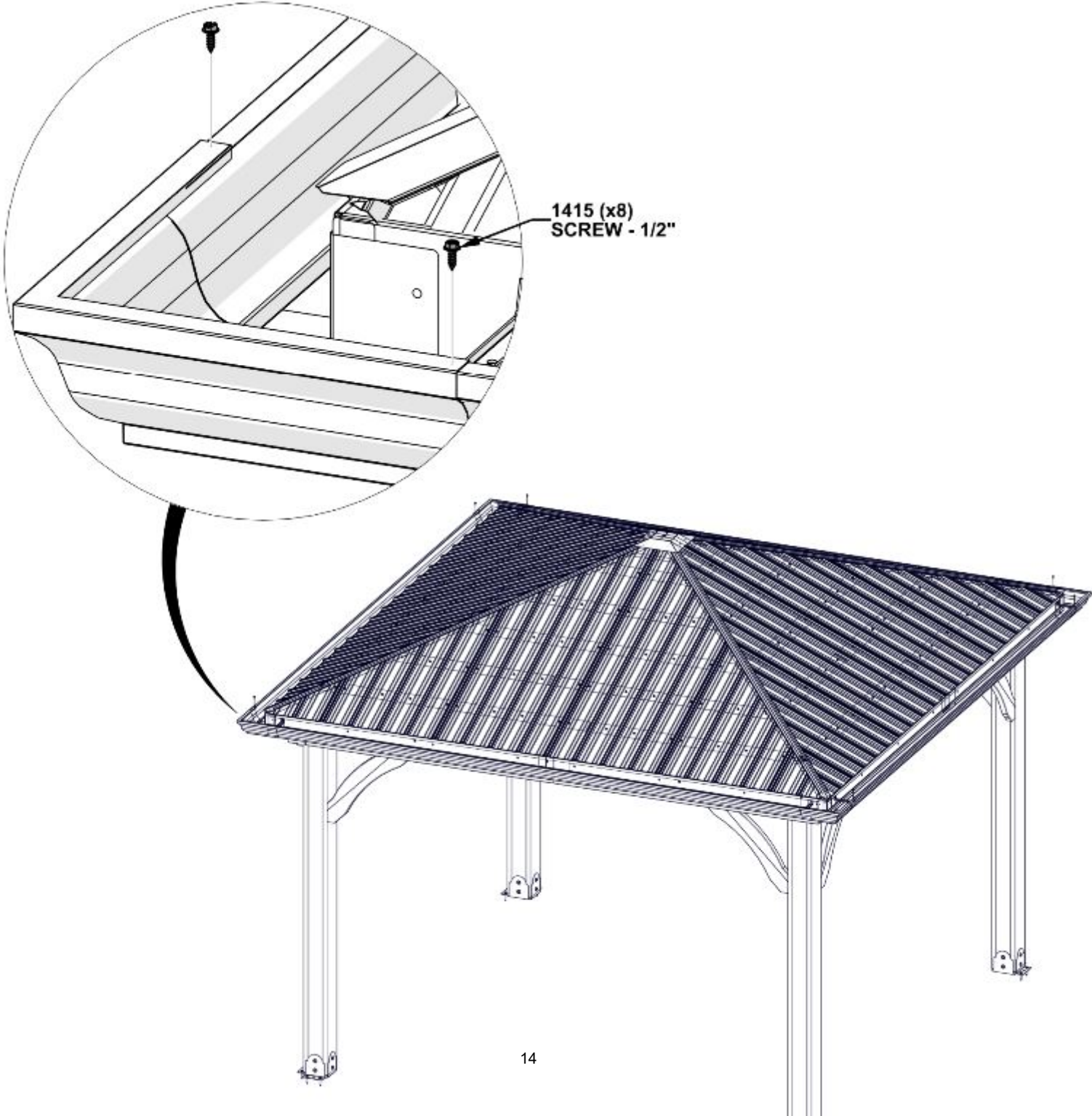
5873 (x1)
OUTSIDE
CORNER
MITER

5873 (x1)
OUTSIDE
CORNER
MITER

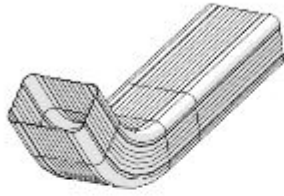
STEP 7 - GUTTER ASSEMBLY

QTY	PART NUMBER	DESCRIPTION
8	H101415	SCREW SELF PIERCING #8x1/2 BRN

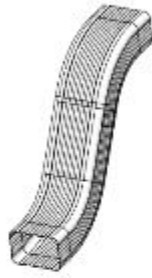
- ATTACH 2 SCREWS TO THE TOP SIDE OF ALL 4 CORNER MITERS TO SECURE TO GUTTERS.



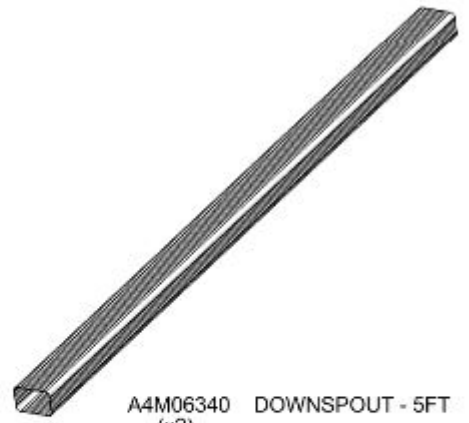
STEP 8 - GUTTER ASSEMBLY



A4M05880 DOWNSPOUT ELBOW - LONG
(x2)

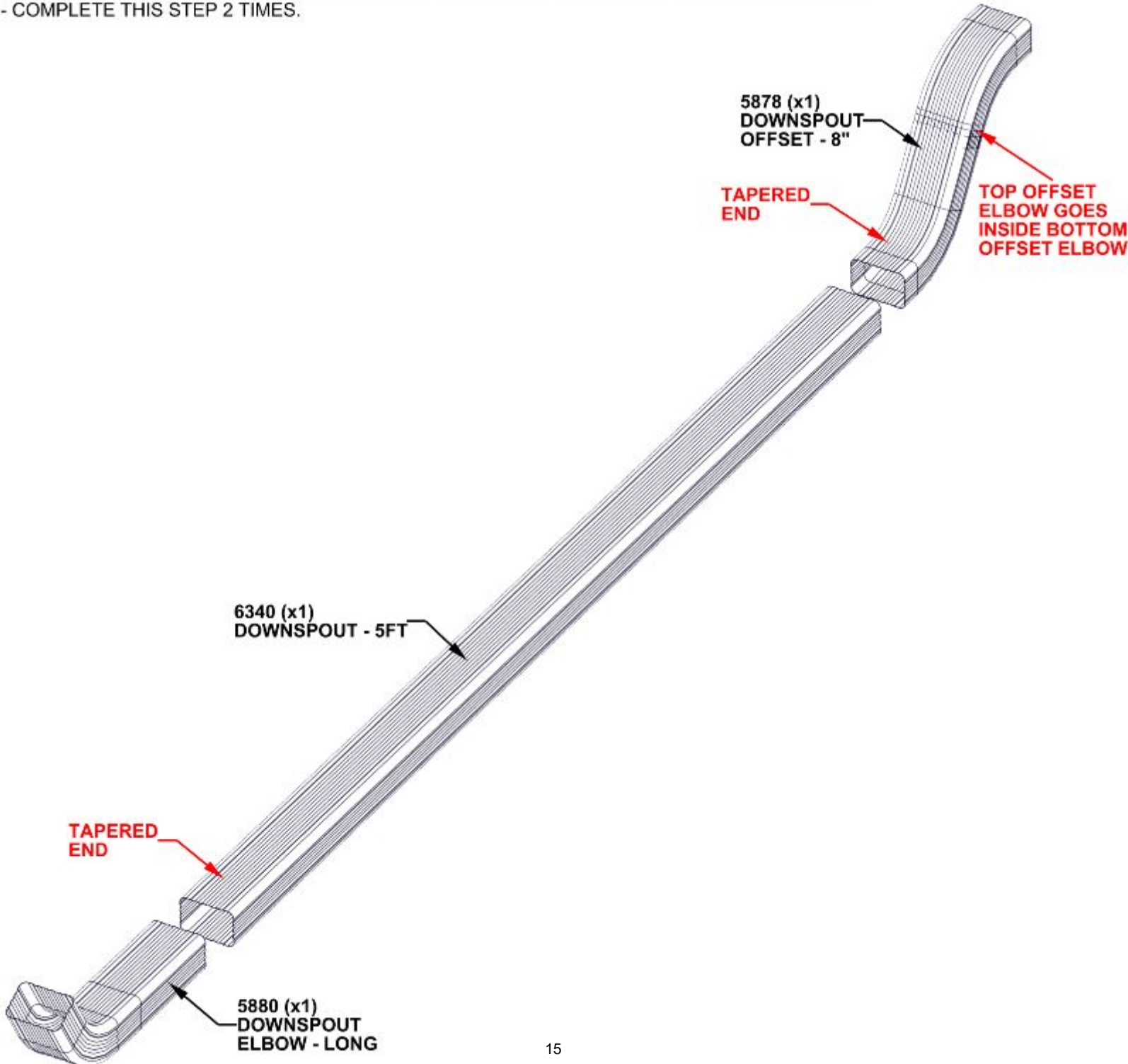


A4M05878 DOWNSPOUT OFFSET - 8"
(x2)



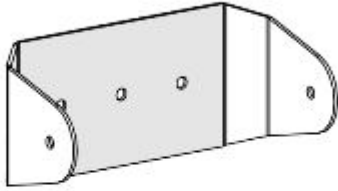
A4M06340 DOWNSPOUT - 5FT
(x2)

- INSERT TAPERED ENDS IN TO LARGER ENDS.
- NOTE ORIENTATION OF DOWNSPOUT OFFSET. SEE DOWNSPOUT OFFSET PAGE FOR DETAIL.
- COMPLETE THIS STEP 2 TIMES.



STEP 9 - GUTTER ASSEMBLY

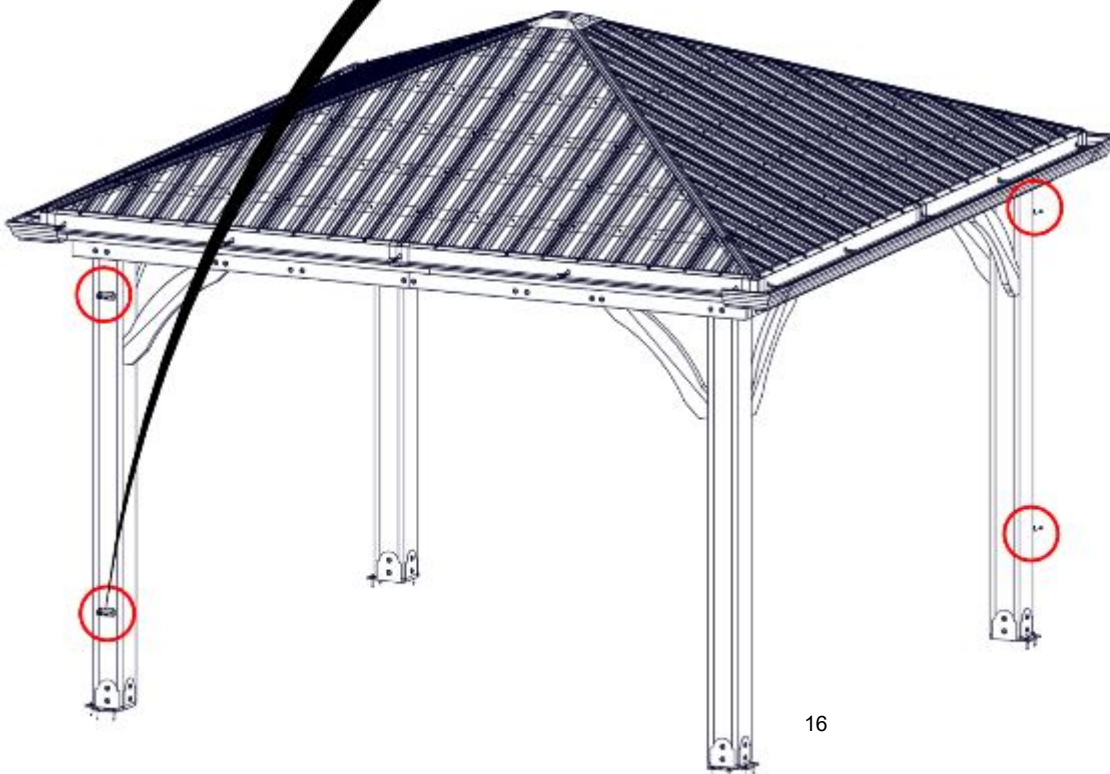
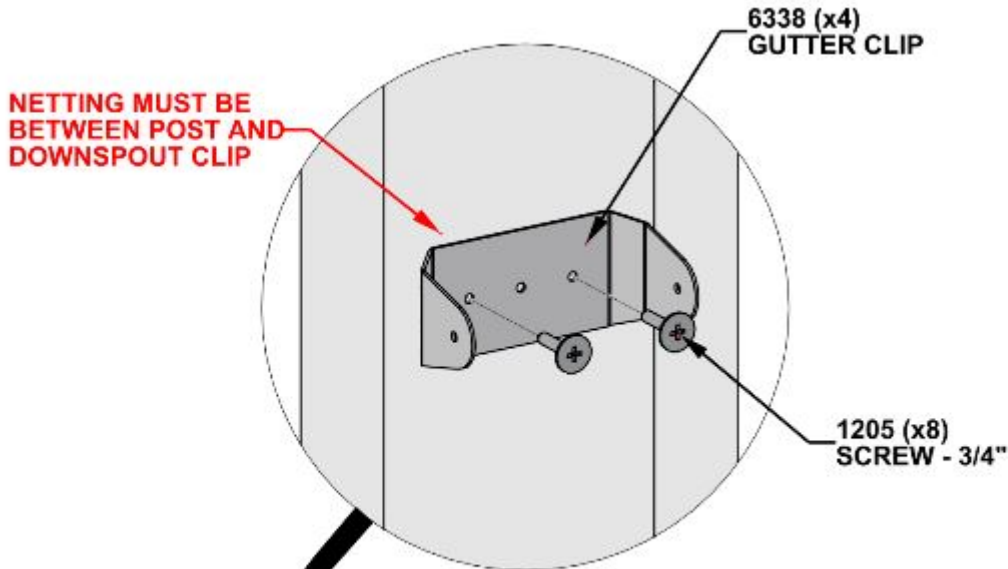
QTY	PART NUMBER	DESCRIPTION
8	H101205	SCREW PWH 8x15x3/4 BLK



A4M06338 GUTTER CLIP
(x4)

- IT IS IMPORTANT TO CENTER 6338 CLIP AND HARDWARE ON POST.
- COMPLETE AT LOCATIONS CIRCLED.

ATTENTION:
IF MOSQUITO NETTING IS ATTACHED, ZIP NETTING TOGETHER TO ENSURE IT CLOSES COMPLETELY AND IS PULLED TIGHTLY, THEN FASTEN CLIP ON TOP OF NETTING.



76-3/4" [1950mm]

17-1/2" [445mm]

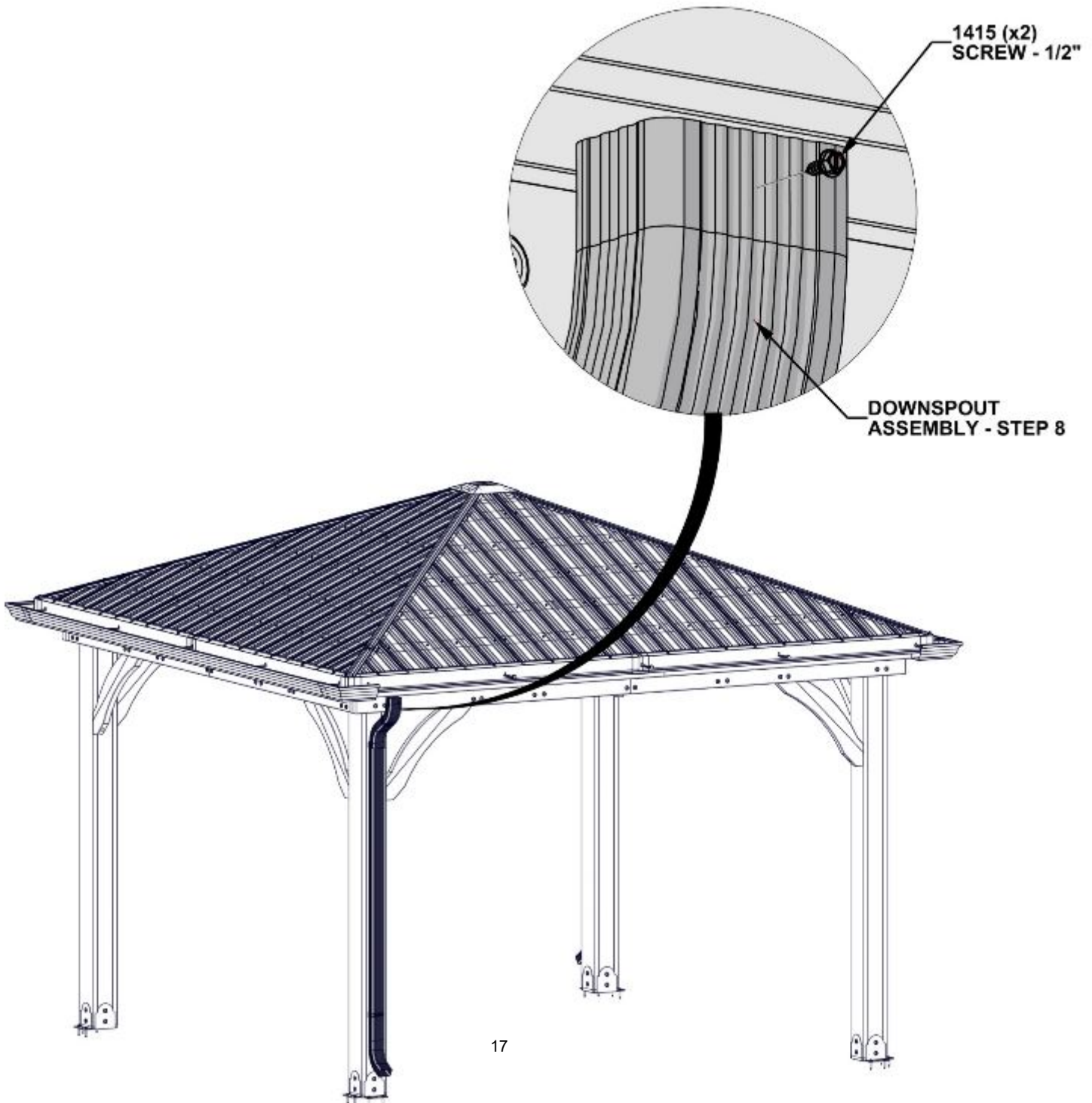
STEP 10 - GUTTER ASSEMBLY

QTY	PART NUMBER	DESCRIPTION
2	H101415	SCREW SELF PIERCING #8x1/2 BRN



DOWNSPOUT ASSEMBLY - STEP 8
(x2)

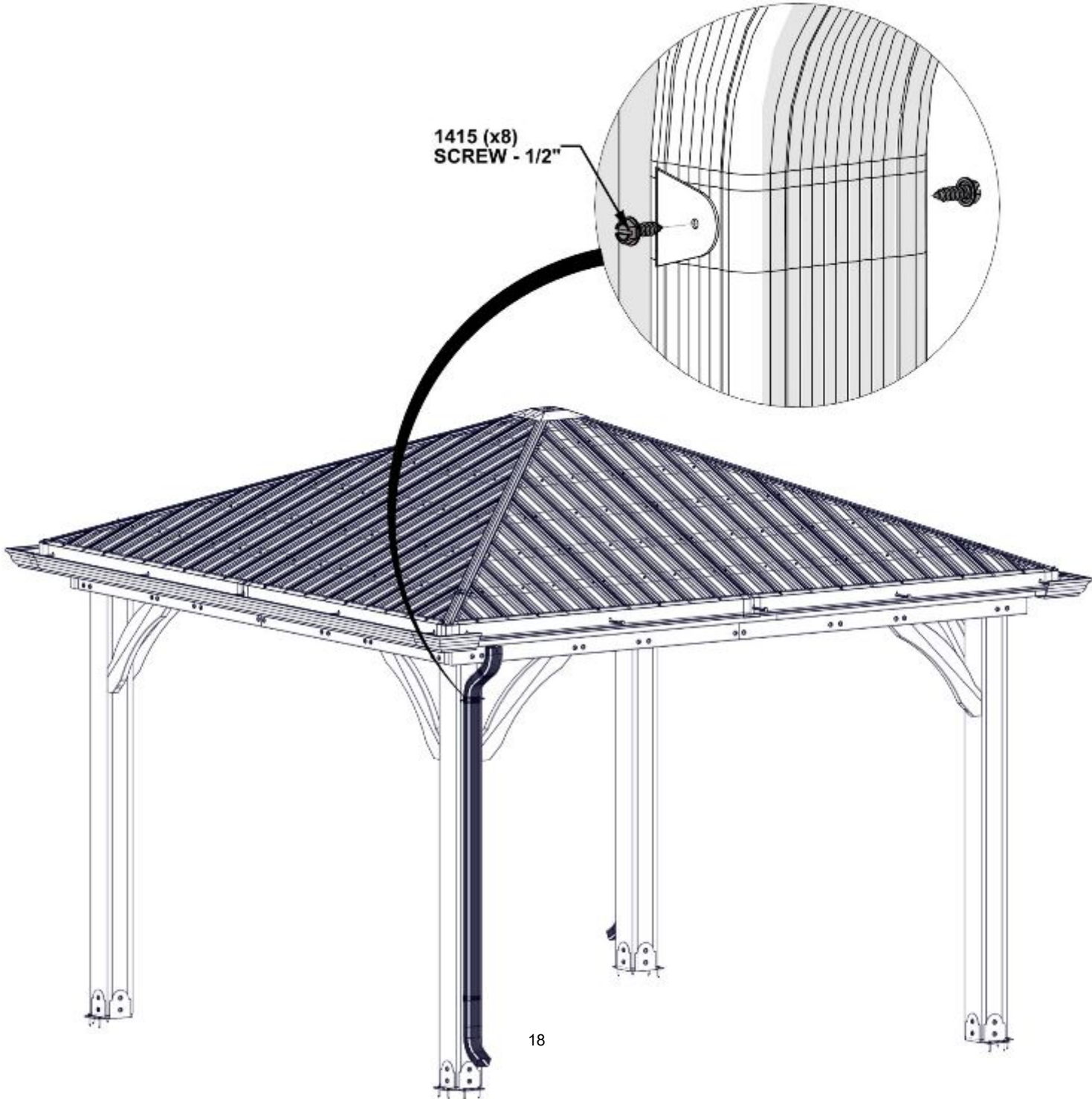
- FASTEN DOWNSPOUT TO DOWNSPOUT OUTLETS USING HARDWARE AS SHOWN.
- COMPLETE THIS STEP AT BOTH DOWNSPOUT OUTLETS.
- DOWNSPOUT WILL NOT REST ON THE GROUND, THERE WILL BE FLOATING SPACE.



STEP 11 - GUTTER ASSEMBLY

QTY	PART NUMBER	DESCRIPTION
8	H101415	SCREW SELF PIERCING #8x1/2 BRN

- FASTEN DOWNSPOUT CLIP TO DOWNSPOUT.
- COMPLETE THIS STEP AT BOTH DOWNSPOUTS.



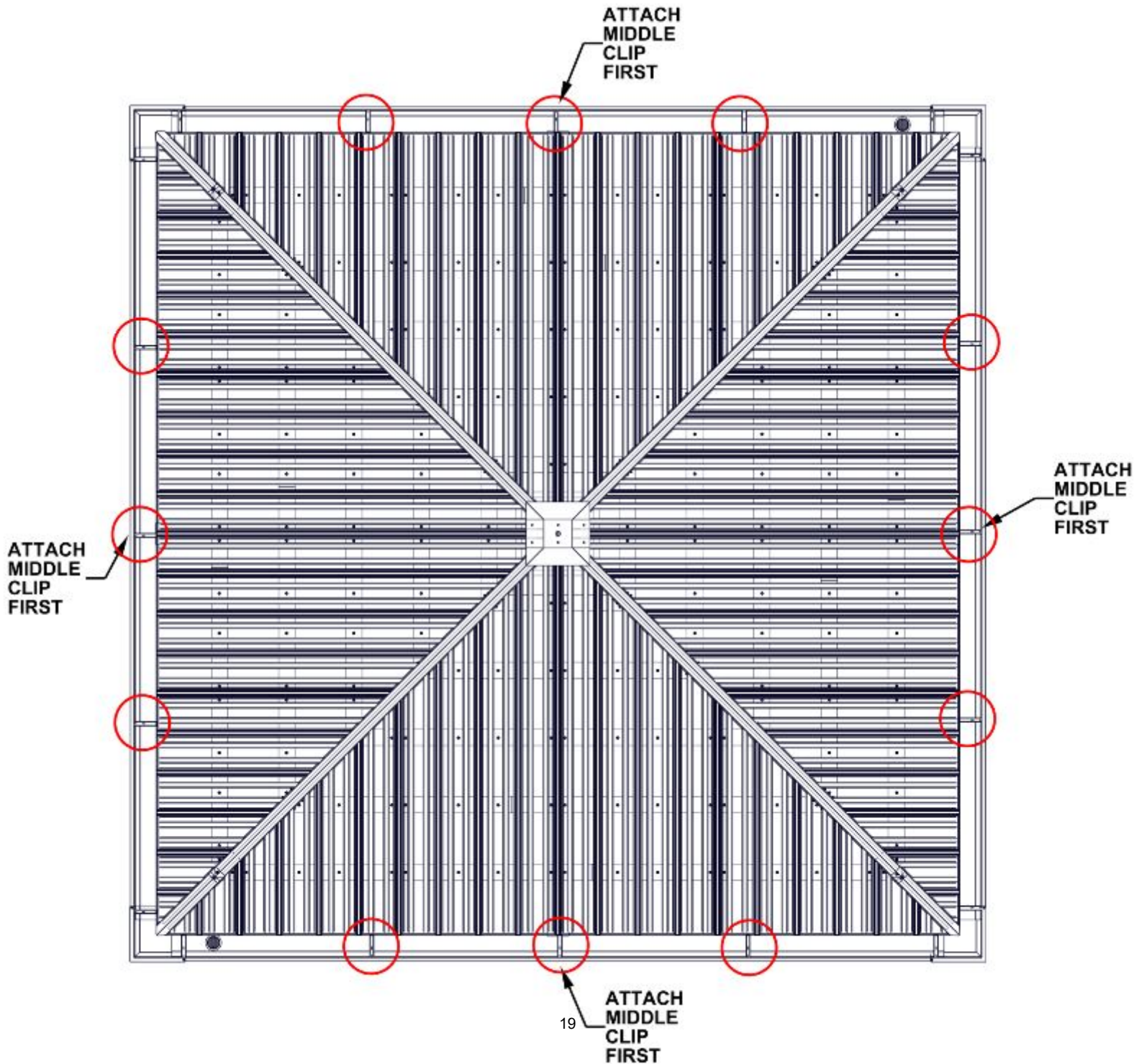
STEP 12 - GUTTER ASSEMBLY

QTY	PART NUMBER	DESCRIPTION
12	H101480	SCREW SELF TAPPING #9-1/4x1



A4M04759 GUTTER HANGER
(x12)

- ATTACH ALL REMAINING GUTTER CLIPS.
- IT IS RECOMMENDED TO ATTACH THE MIDDLE CLIP FIRST THEN ATTACH THE REMAINING CLIPS BETWEEN THE MIDDLE AND OUTSIDE CLIPS.



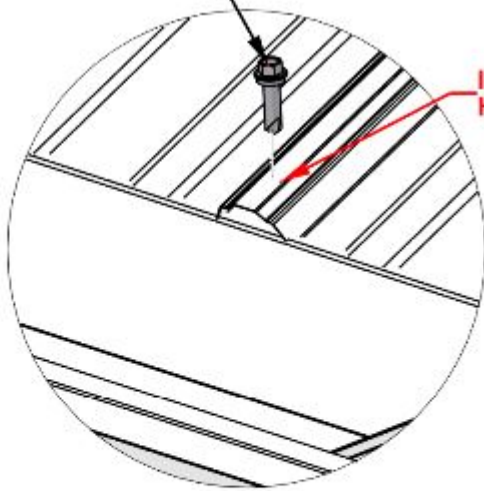
STEP 12 - RE-INSTALL EDGE TRIM

QTY	PART NUMBER	DESCRIPTION
48	H100759	SCREW SELF TAPPING 1/4x1 BRN

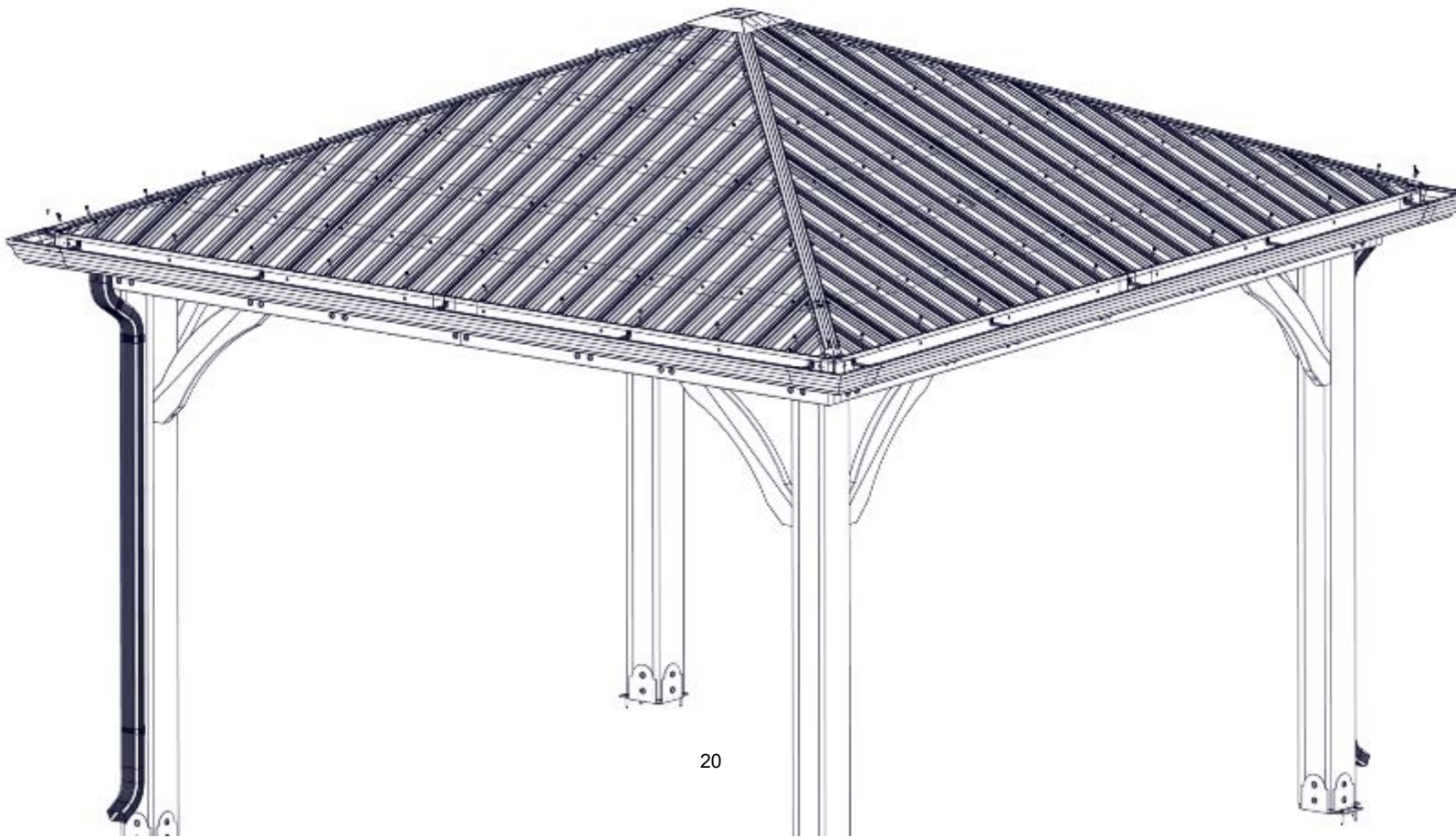
ATTENTION:

- IF HARDWARE WAS REMOVED IN STEP A1, RE-INSERT HARDWARE.
- IT IS IMPORTANT TO RE-USE HOLES TO AVOID LEAKING.
- DO NOT OVERTIGHTEN HARDWARE OR ROOF METAL WILL DEFORM.

759 (x48)
SCREW - 1"



INSERT HARDWARE IN EXISTING HOLE, DO NOT OVERTIGHTEN.



STEP 14 - CAULKING INSTRUCTIONS

CRITICAL!!!

AFTER HARDWARE AND GUTTERS ARE INSTALLED IT IS IMPORTANT THAT A HEALTHY BEAD OF SILICONE IS WORKED INTO THE LOCATIONS CIRCLED IN RED. THE RED LINES INDICATE THE SPLICE JOINTS THAT NEED TO BE CAULKED TO AVOID LEAKING. MAKE SURE SILICONE IS APPLIED ON THE CURVED SURFACE OF GUTTERING AS WELL.

