



Manufactured by:
Backyard Discovery
3305 Airport Drive, Pittsburg, KS 66762
800-856-4445

*Basepoint Business Centre: Rivermead Drive, Westlea, Swindon SN5 7EX Phone: 0800-118-2476 J.P. Coenstraat 7,
The Bridge, The Hague, 2595 WP, Netherlands Phone: 08005678990*

SAXONY GRILL GAZEBO GUTTER KIT

MODEL #: 9260139



Please visit www.backyarddiscovery.com

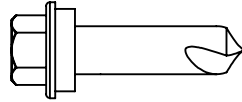
For the most up to date assembly manual, to register your product, or to order
replacement parts Para obtener instrucciones en español, visite
www.backyarddiscovery.com

OWNER'S MANUAL - PARTS IDENTIFICATION

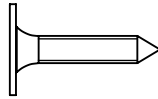
Hardware Components



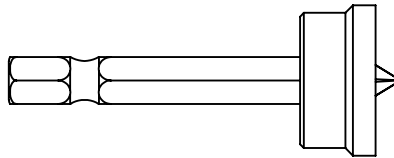
H101415 SCREW SELF PIERCING #8x1/2 BRN
(x5)



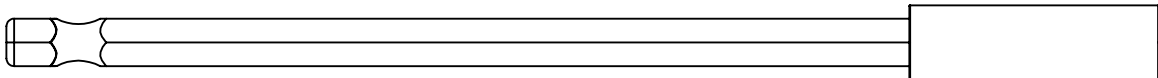
H101480 SCREW SELF TAPPING #9x1 BLK
(x5) 1/4 x 1



H101205 SCREW PWH BLK
(x4) 8x3/4



H100764 SCREW SETTER
(x1)



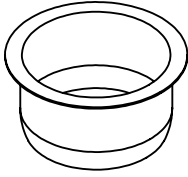
H101278 6" MAGNETIC DRIVER EXTENSION
(x1)



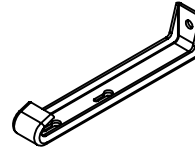
A6P01531 10 OZ SILICONE TUBE
(x1)

OWNER'S MANUAL - PARTS IDENTIFICATION

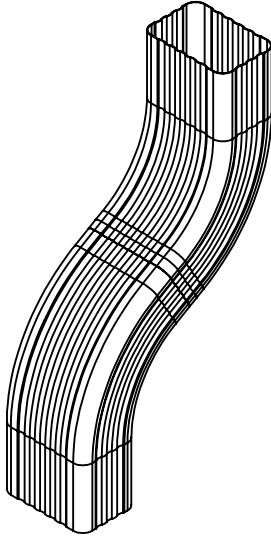
Accessory Components (NOT TO SCALE)



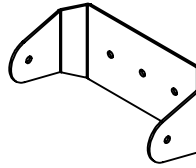
A4M04761 DOWNSPOUT OUTLET
(x1) 1 7/16"x2 7/8" [37x73]



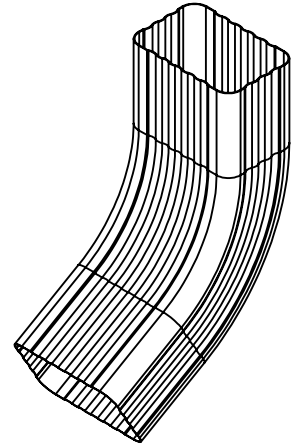
A4M04759 GUTTER HANGER
(x5) 3/4"x1"x4 15/16" [19x25x125]



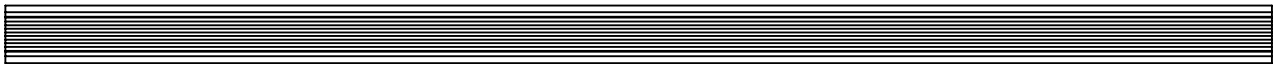
A4M06886 DOWNSPOUT OUTLET - 5"
(x1) 3"x7 3/16"x12 1/16" [76x182x307]



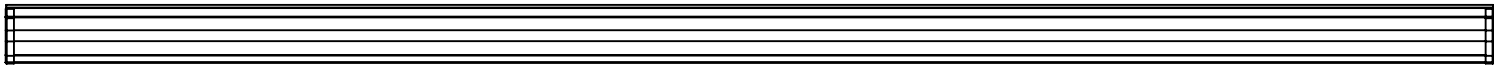
A4M06338 DOWNSPOUT CLIP
(x2) 1 7/16"x1 7/16"x3 1/8" [37x37x79]



A4M05879 DOWNSPOUT ELBOW
(x1) 3"x5 7/16"x7 11/16" [76x138x195]



A4M06339 DOWNSPOUT - 66"
(x1) 2"x3"x66" [51x76x1675]



A4M06885 GUTTER W/ OUTLET
(x1) 3 11/16"x5 1/8"x92 15/16" [93x130x2361]

PRE-ASSEMBLY STEP 1 - SORTING PARTS

It is critical for ease of assembly that you take the time to sort and organize the parts and hardware.

HARDWARE PARTS:

- We recommend that you have a separate table to organize the hardware.
- Hardware bags are printed with a seven-digit, alpha-numeric part number.
- You can organize your hardware by part number or group by hardware type (e.g. bolts, nuts, etc.).
- During assembly you only need to reference the last four digits of the number.



TOOLS REQUIRED:



Cordless Drill or
Electric Drill



Caulk Gun



Tape Measure

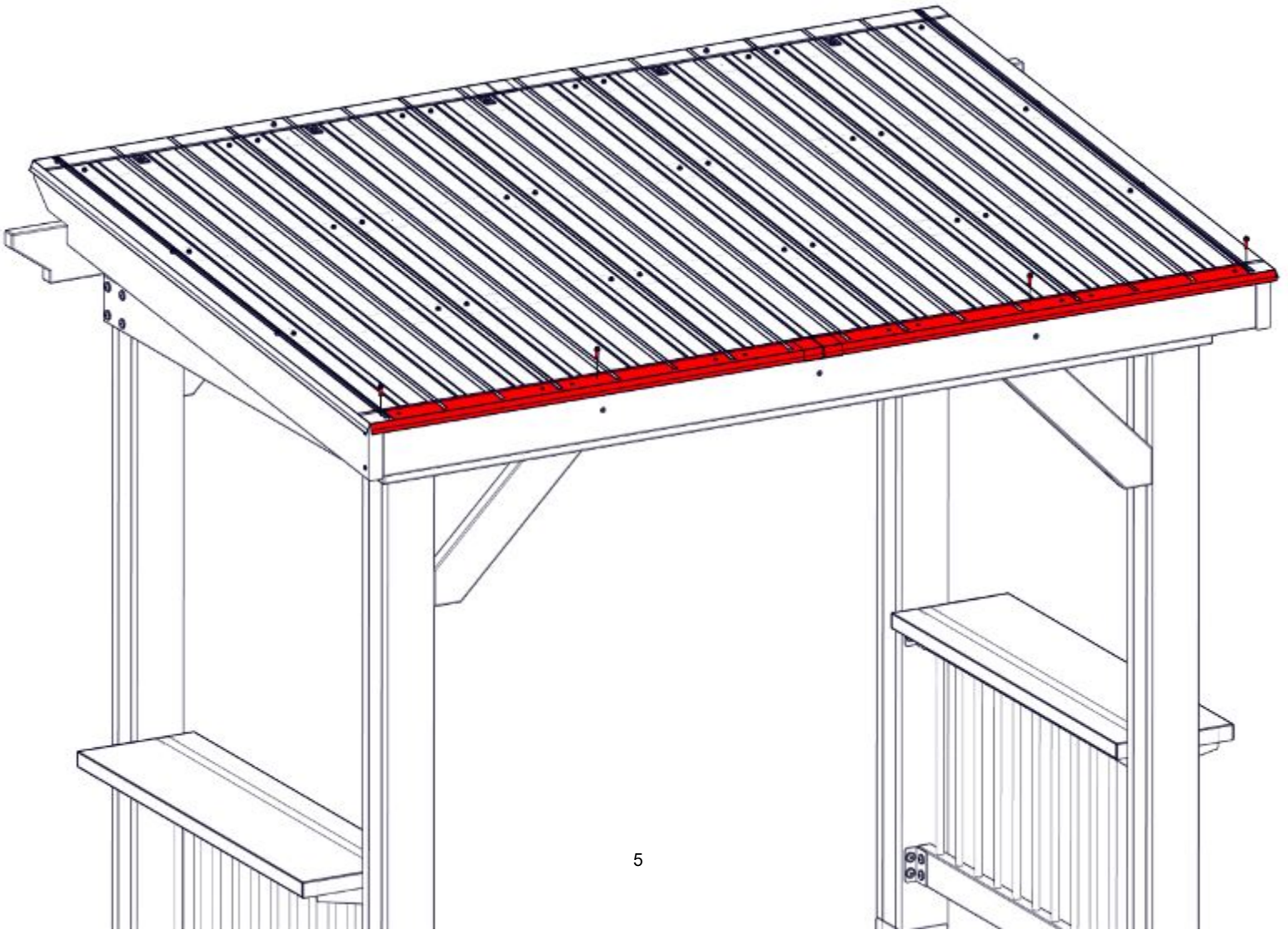


1/8" Drill Bit

STEP 1A - EDGE TRIM REMOVAL

QTY	PART NUMBER	DESCRIPTION
4	H100759	SCREW SELF TAPPING 1/4x1 BRN

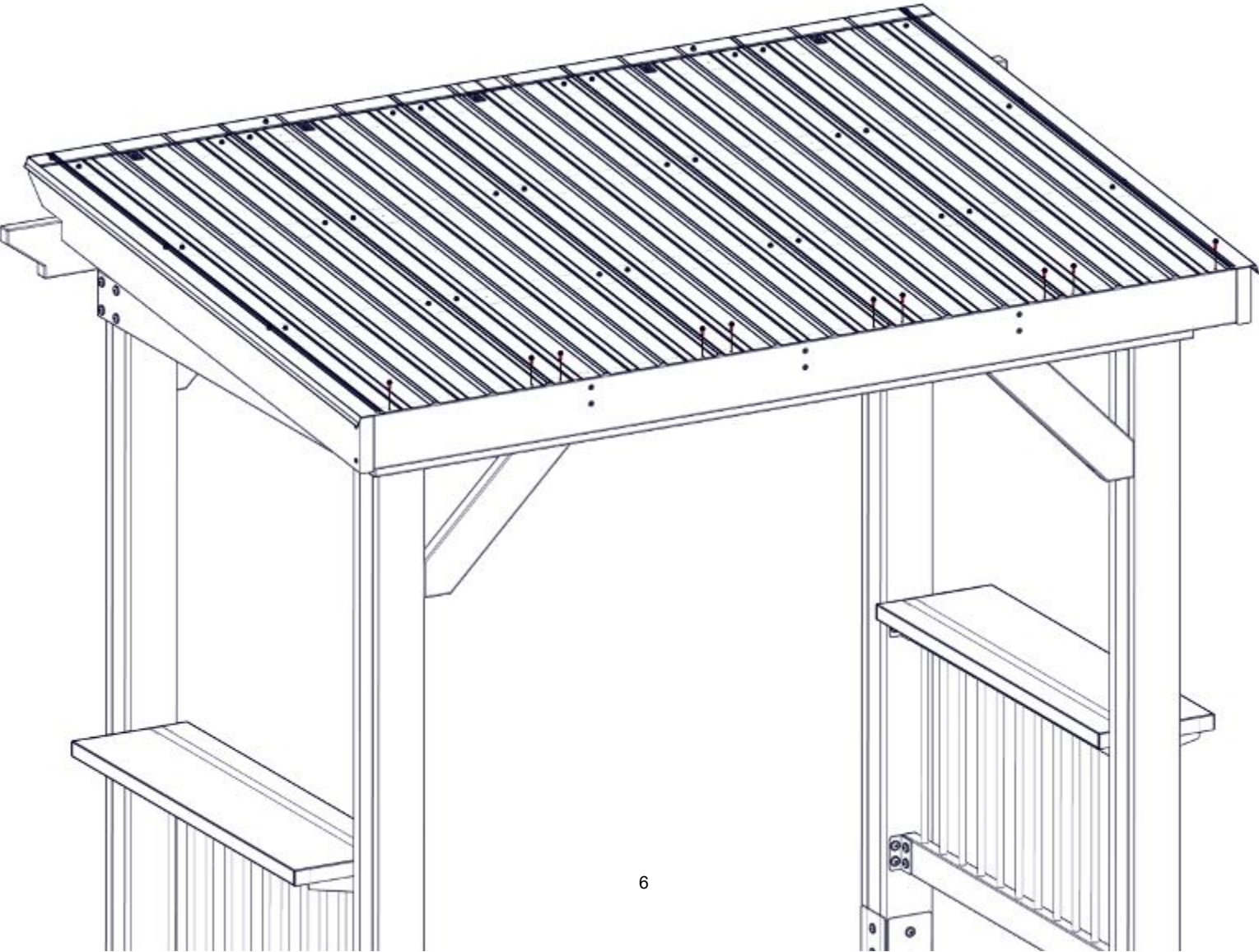
- REMOVE EDGE TRIM AND HARDWARE SHOWN BELOW.
- SET HARDWARE AND PIECES ASIDE FOR LATER USE.



STEP 1B - EDGE TRIM REMOVAL

QTY	PART NUMBER	DESCRIPTION
10	H100833	SCREW WOODGRIP 10-16x3/4"

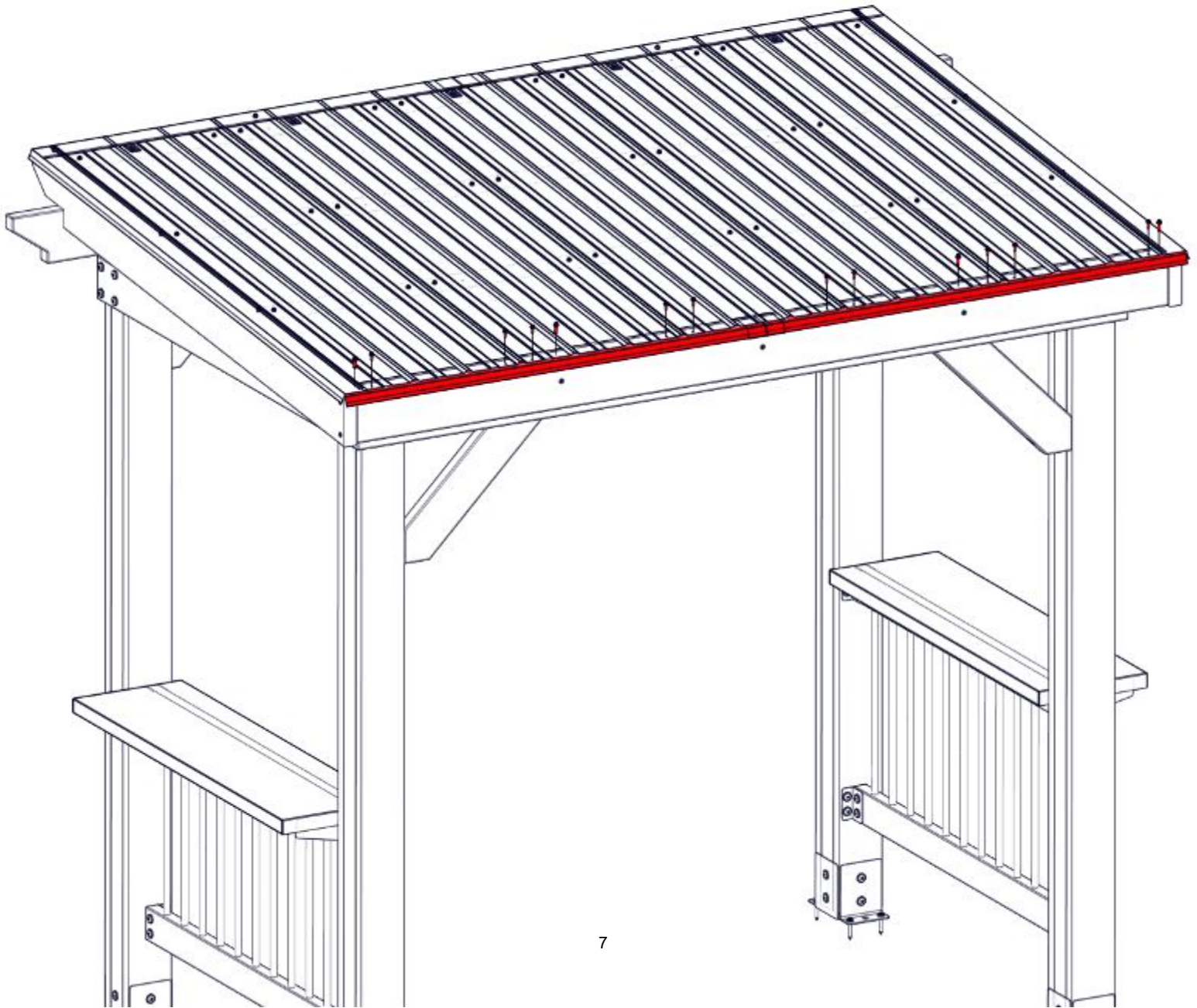
- REMOVE HARDWARE SHOWN BELOW.
- SET HARDWARE ASIDE FOR LATER USE.



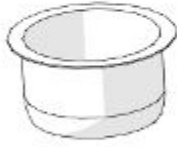
STEP 1C - EDGE TRIM REMOVAL

QTY	PART NUMBER	DESCRIPTION
4	H100759	SCREW SELF TAPPING 1/4x1 BRN
10	H100833	SCREW WOODGRIP 10-16x3/4"

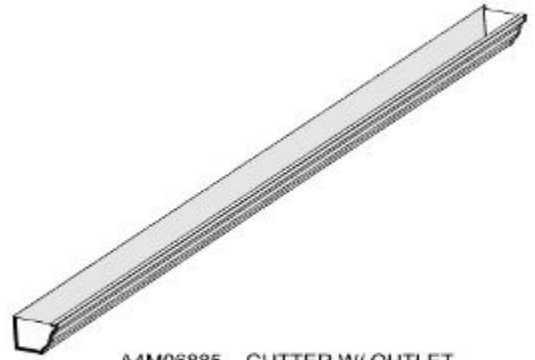
- SLIDE EDGE TRIM UNDER ROOF METAL.
- REATTACH USING HARDWARE PREVIOUSLY REMOVED.
- REUSE HOLES TO AVOID LEAKS.



STEP 1 - GUTTER ASSEMBLY

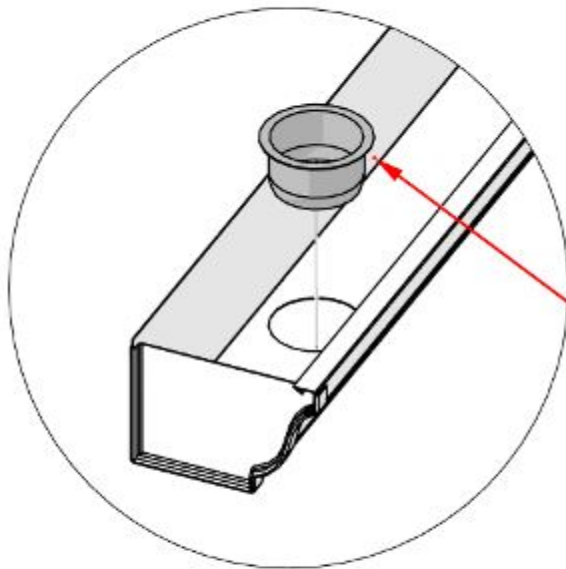


A4M04761 DOWNSPOUT OUTLET
(x1)



A4M06885 GUTTER W/ OUTLET
(x1)

- APPLY A BEAD OF SILICONE AROUND THE BOTTOM LIP OF THE DOWNSPOUT OUTLET AND PLACE OUTLET INSIDE GUTTER.

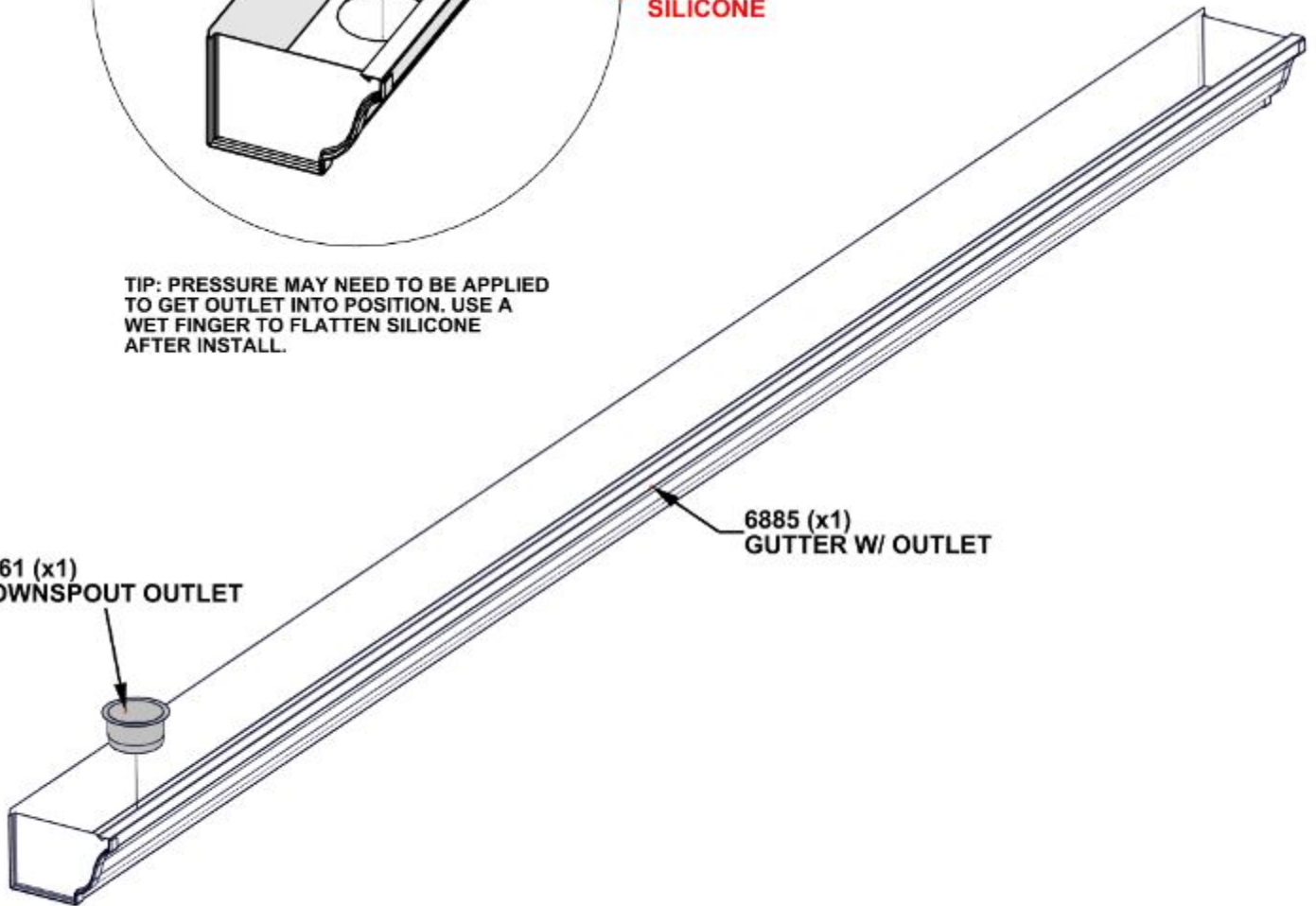


APPLY
SILICONE

TIP: PRESSURE MAY NEED TO BE APPLIED TO GET OUTLET INTO POSITION. USE A WET FINGER TO FLATTEN SILICONE AFTER INSTALL.

4761 (x1)
DOWNSPOUT OUTLET

6885 (x1)
GUTTER W/ OUTLET

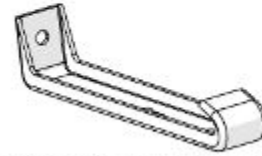


STEP 3 - GUTTER ASSEMBLY

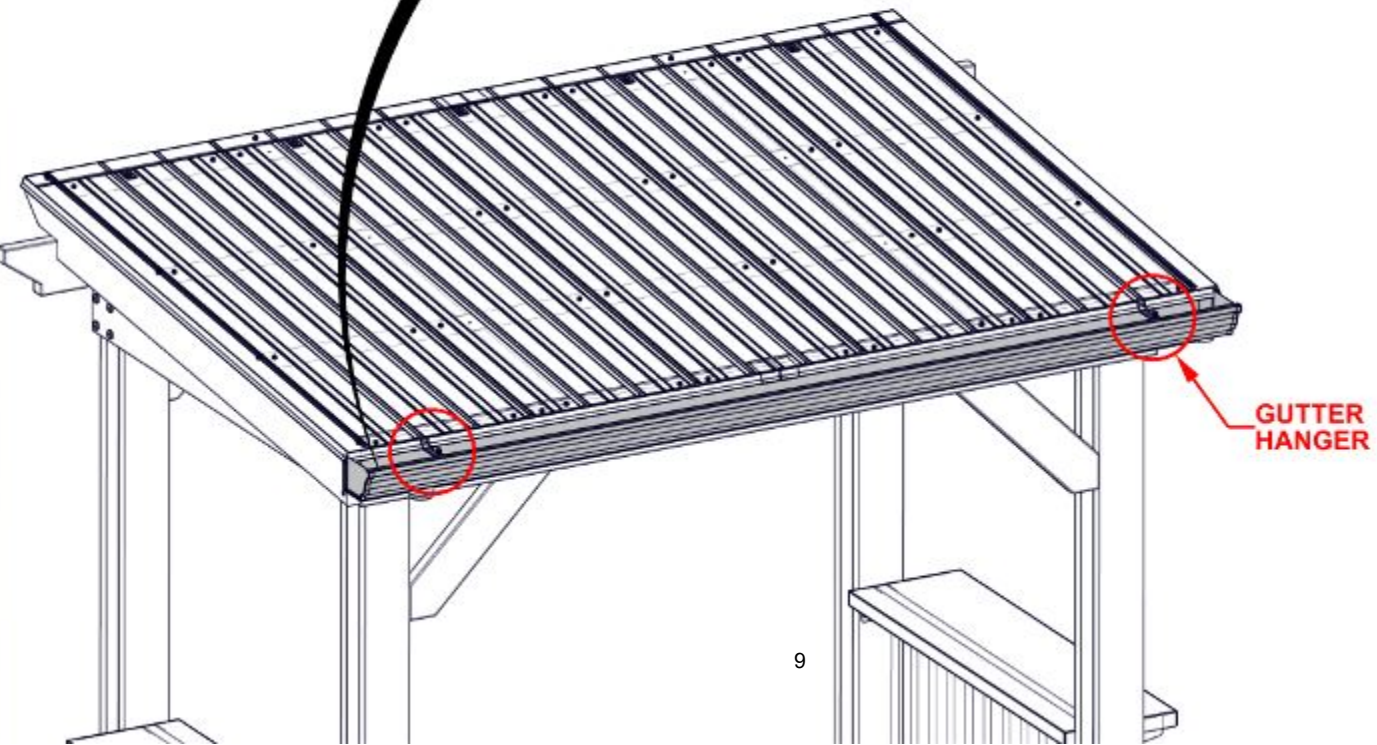
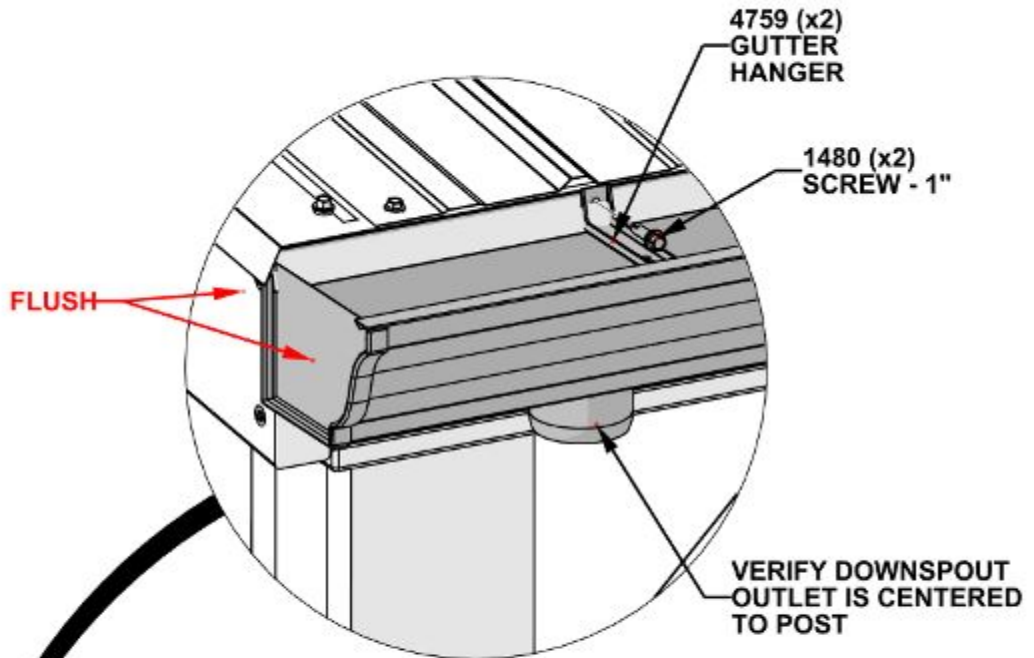
QTY	PART NUMBER	DESCRIPTION
2	H101480	SCREW SELF TAPPING #9x1 BLK



A4M06885 GUTTER W/ OUTLET ASSEMBLY
(x1)

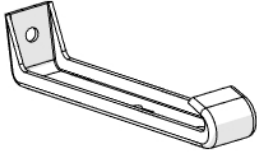


A4M04759 GUTTER HANGER
(x2)



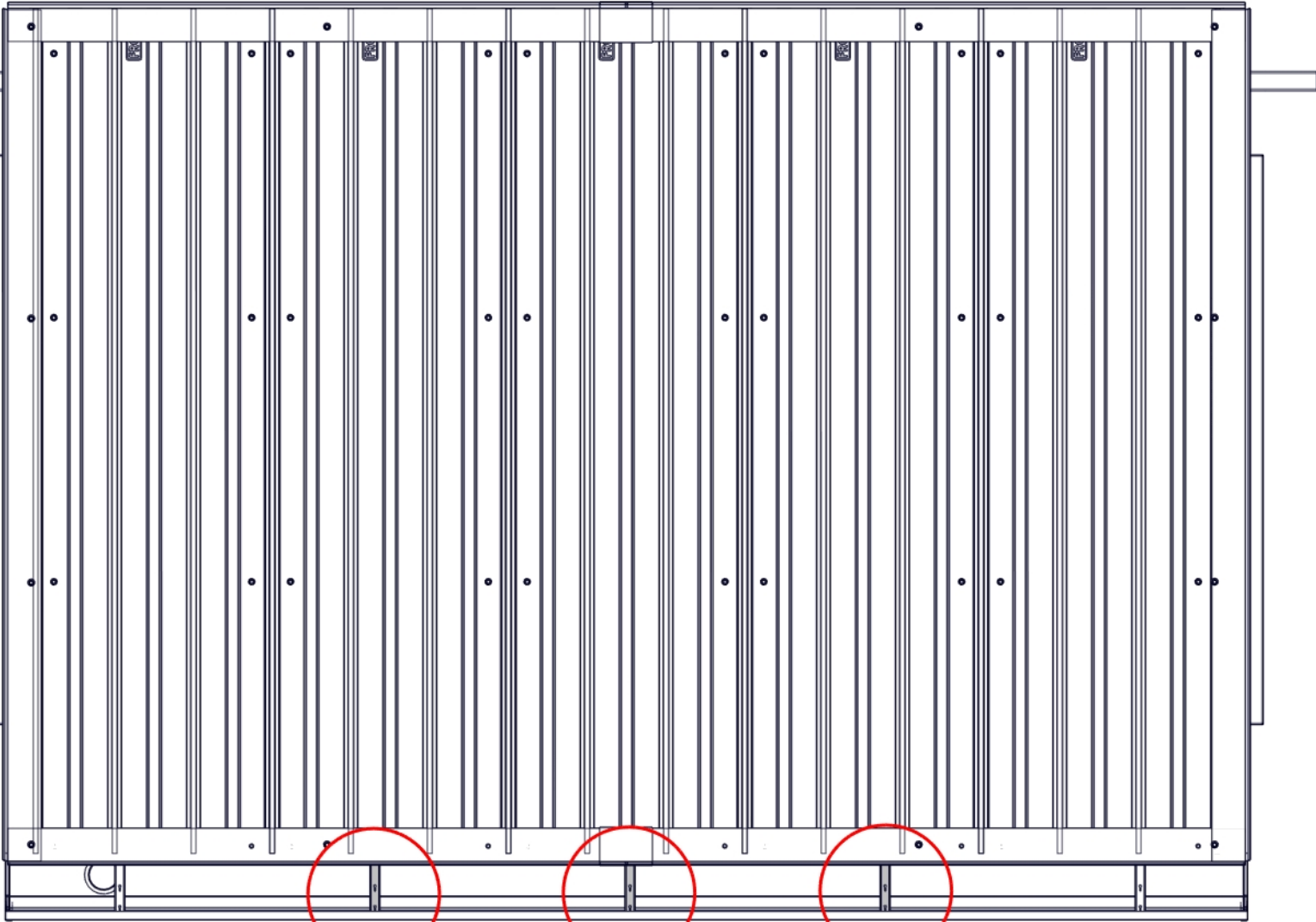
STEP 4 - GUTTER ASSEMBLY

QTY	PART NUMBER	DESCRIPTION
3	H101480	SCREW SELF TAPPING #9x1 BLK



A4M04759 GUTTER HANGER
(x3)

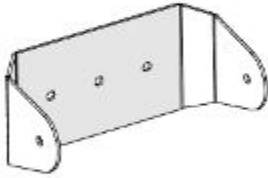
- ATTACH MIDDLE GUTTER HANGER FIRST, THEN CENTER THE REMAINING HANGERS AND FASTEN.



**ATTACH MIDDLE
HANGER FIRST**

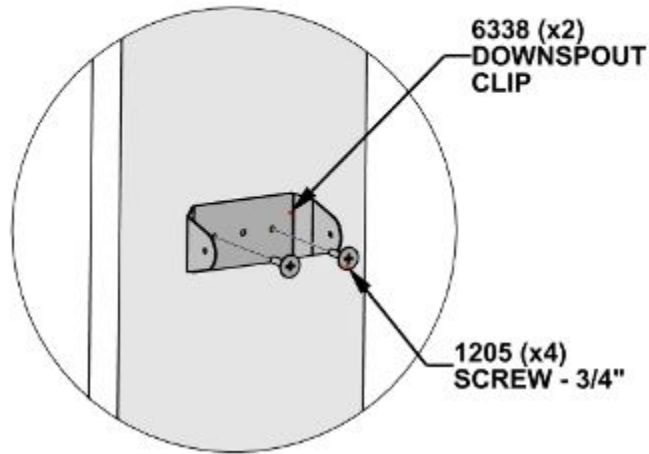
STEP 5 - GUTTER ASSEMBLY

QTY	PART NUMBER	DESCRIPTION
4	H101205	SCREW PWH 8x15x3/4 BLK



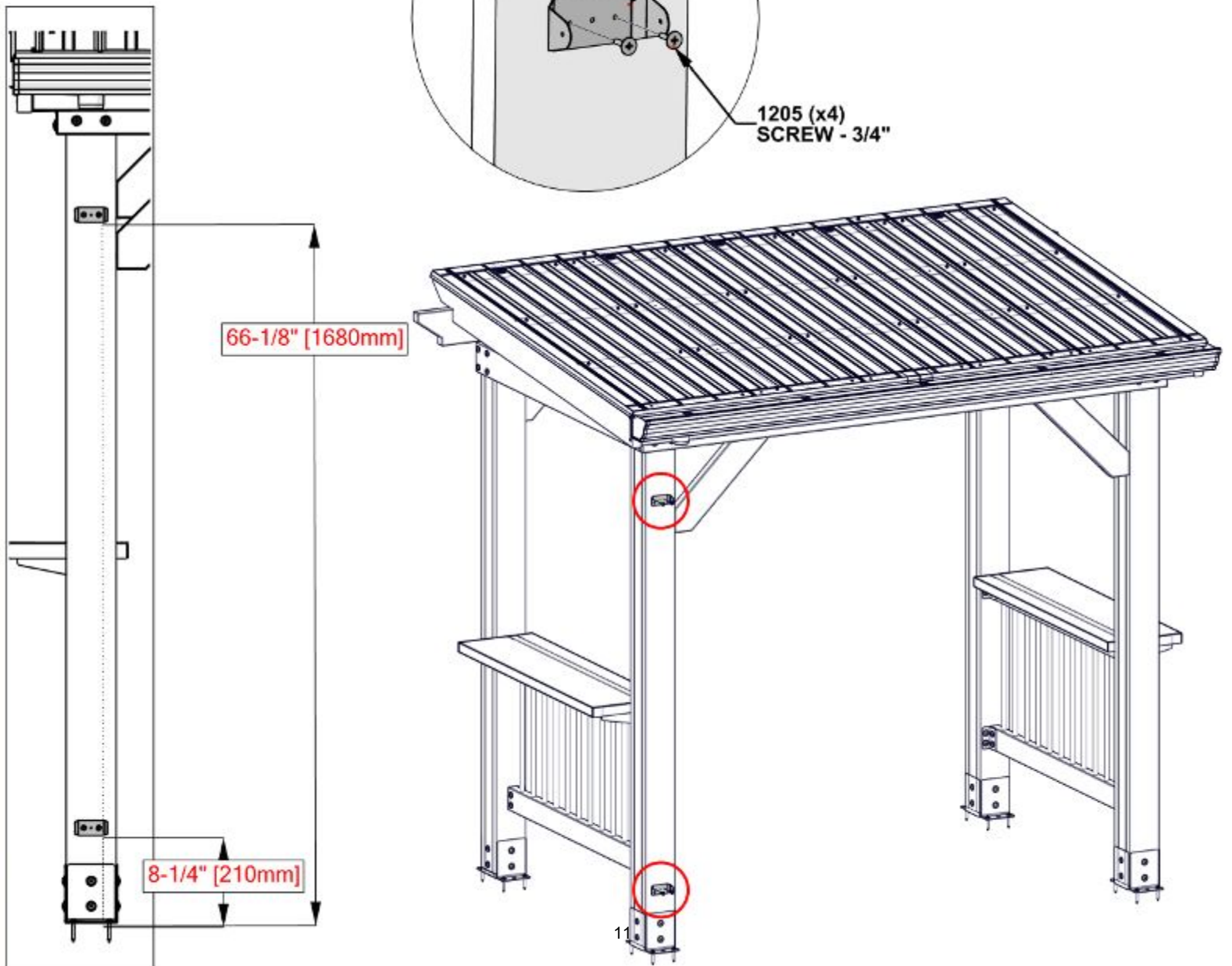
A4M06338 DOWNSPOUT CLIP
(x8)

- IT IS IMPORTANT TO CENTER 6883 CLIP AND HARDWARE ON POST.



6338 (x2)
DOWNSPOUT
CLIP

1205 (x4)
SCREW - 3/4"



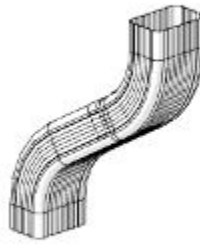
66-1/8" [1680mm]

8-1/4" [210mm]

STEP 6 - GUTTER ASSEMBLY



A4M05879 DOWNSPOUT ELBOW
(x1)

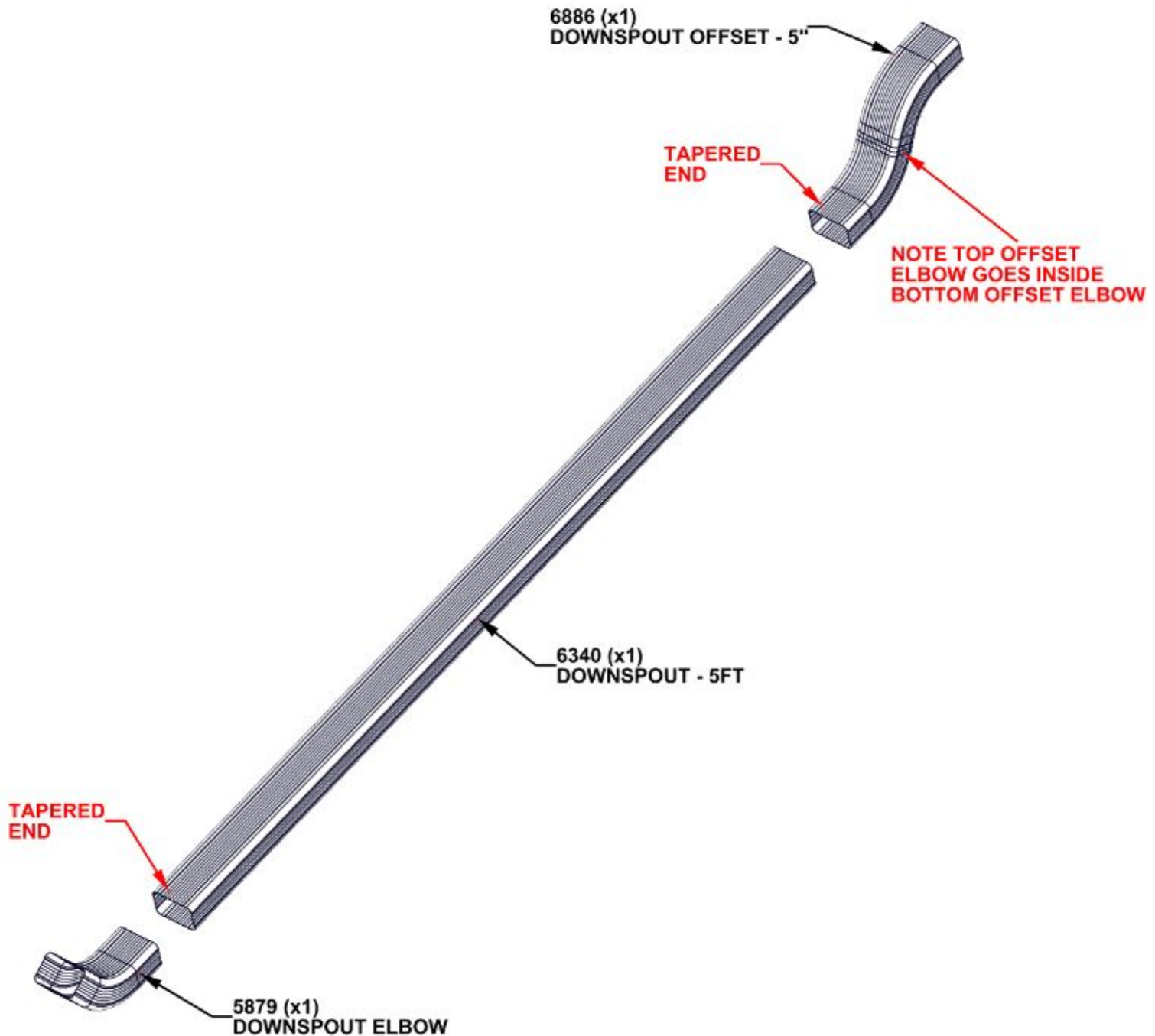


A4M06882 DOWNSPOUT OFFSET - 5"
(x1)



A4M06340 DOWNSPOUT - 5FT
(x1)

- INSERT TAPERED ENDS INTO LARGER ENDS AS SHOWN.
- NOTE ORIENTATION OF DOWNSPOUT OFFSET. SEE DOWNSPOUT OFFSET PAGE FOR DETAIL.



STEP 7 - GUTTER ASSEMBLY

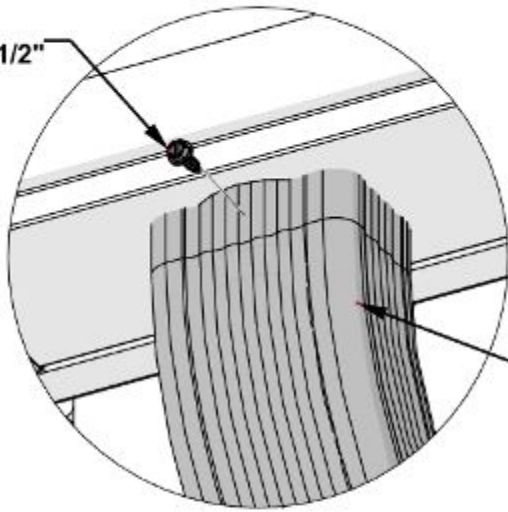
QTY	PART NUMBER	DESCRIPTION
1	H101415	SCREW SELF PIERCING #8x1/2 BRN



DOWNSPOUT ASSEMBLY - STEP 6

- SLIDE DOWNSPOUT ASSEMBLY OVER DOWNSPOUT OUTLET AND ATTACH WITH HARDWARE PROVIDED.
- NOTE GUTTER WILL NOT EXTEND TO GROUND, THERE WILL BE FLOATING SPACE.

1415 (x1)
SCREW - 1/2"



DOWNSPOUT
ASSEMBLY



STEP 8 - GUTTER ASSEMBLY

QTY	PART NUMBER	DESCRIPTION
4	H101415	SCREW SELF PIERCING #8x1/2 BRN

- ATTACH DOWNSPOUT CLIPS TO DOWNSPOUTS.

