



Manufactured by:  
Backyard Discovery  
3305 Airport Drive, Pittsburg, KS 66762  
800-856-4445

Basepoint Business Centre: Rivermead Drive, Westlea, Swindon SN5 7EX Phone: 0800-118-2476  
J.P. Coenstraat 7, The Bridge, The Hague, 2595 WP, Netherlands Phone: 08005678990

# HENLEY 2-4 PERSON OUTDOOR CABIN SAUNA

MODEL # : 2504769, 2504769-V

THE ASSEMBLY MANUAL MUST BE RETAINED SINCE IT CONTAINS IMPORTANT INFORMATION  
**LICENSED ELECTRICIAN WORK IS REQUIRED TO INSTALL A DEDICATED 240V/50AMP CIRCUIT**



**WARNING**

Cancer and Reproductive Harm  
[www.P65Warnings.ca.gov](http://www.P65Warnings.ca.gov)



Please visit [www.backyarddiscovery.com](http://www.backyarddiscovery.com)

For the most up to date assembly manual, to register your product, or to order replacement parts *Para obtener instrucciones en español, visite* [www.backyarddiscovery.com](http://www.backyarddiscovery.com)



EASY STEP-BY-STEP  
3D INTERACTIVE INSTRUCTIONS  
DOWNLOAD THE FREE APP

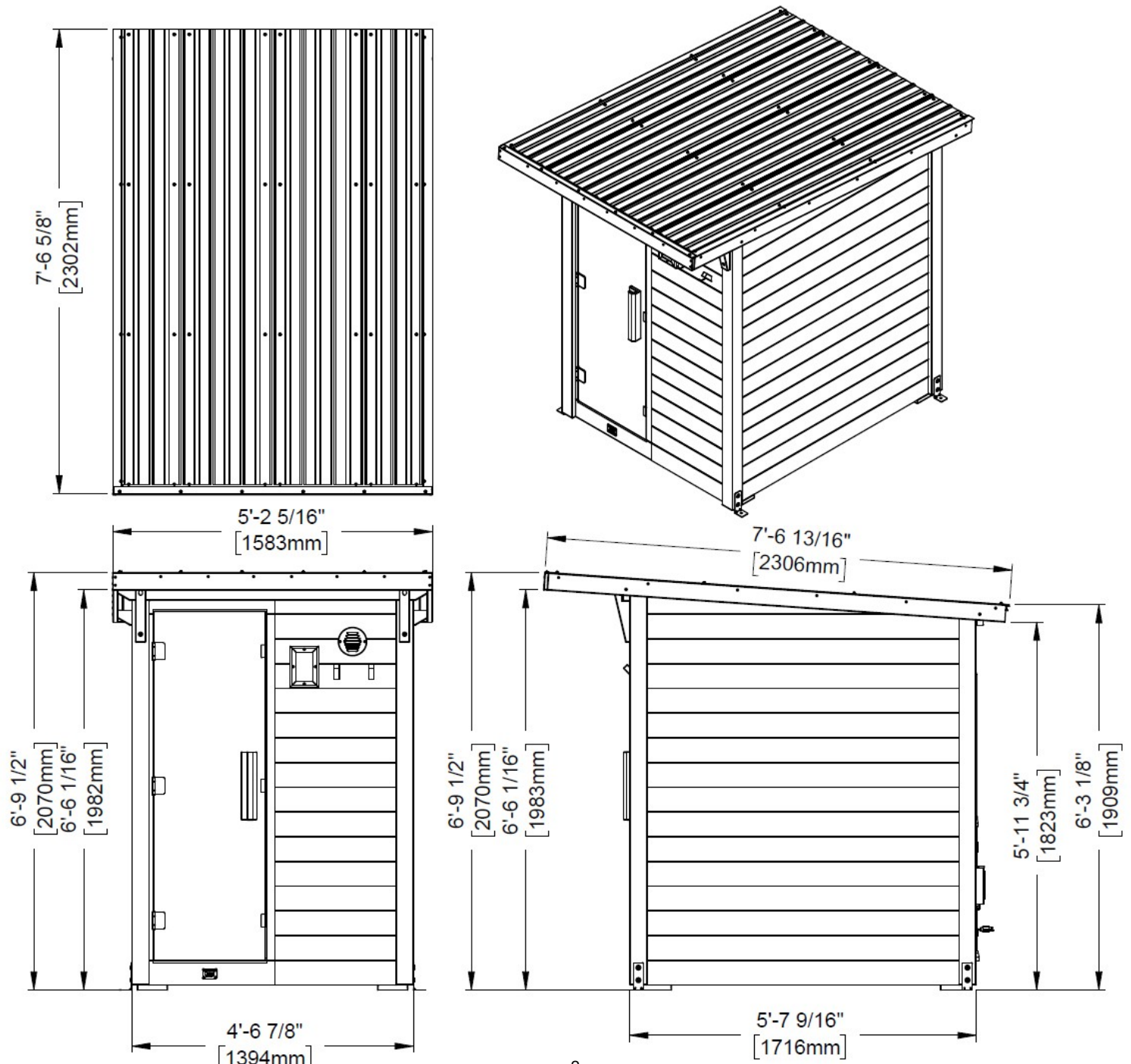


# OWNER'S MANUAL - BASIC SETUP DIMENSIONS & ASSEMBLY NOTES

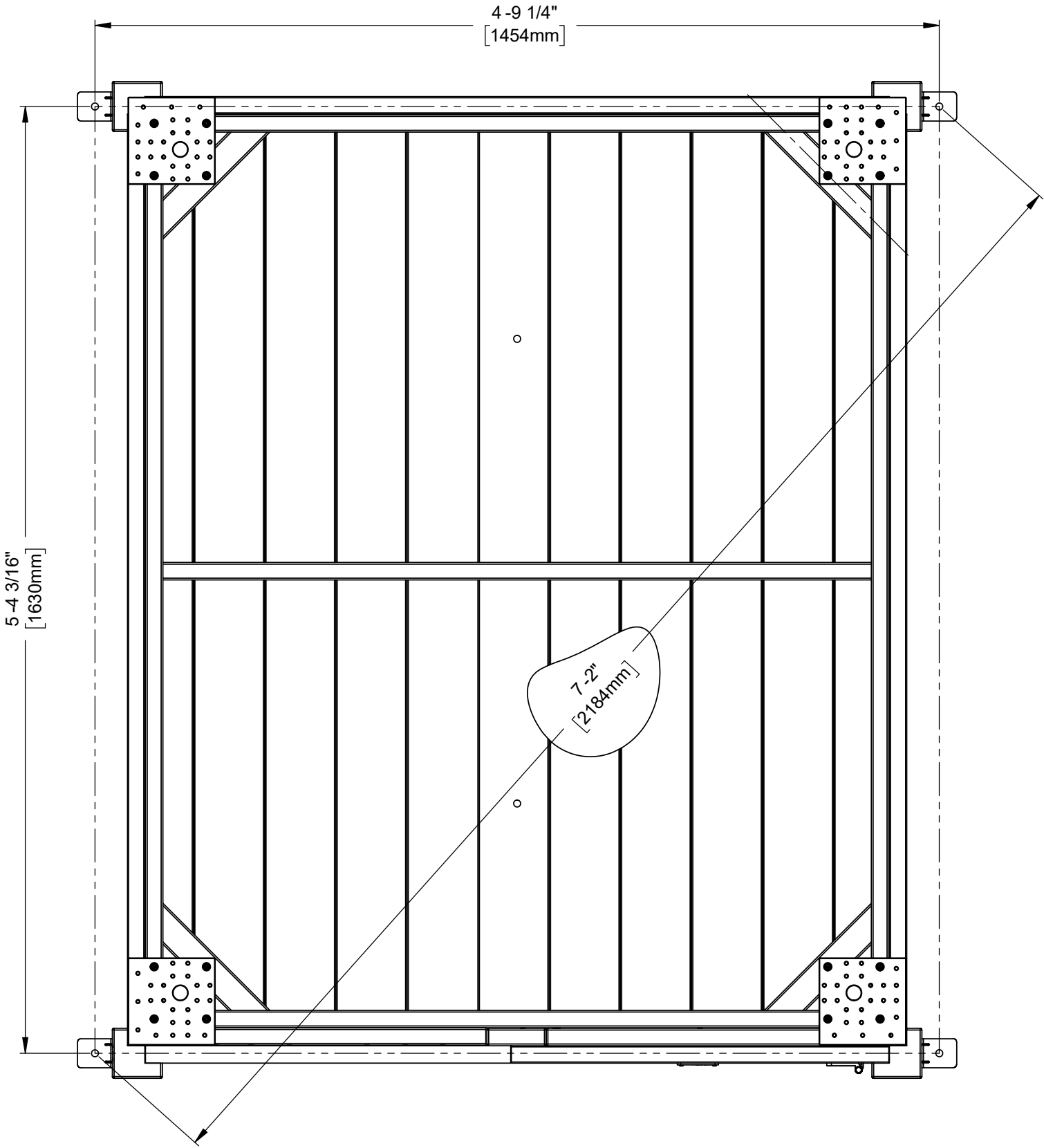
## CHOOSE A GOOD LOCATION FOR YOUR SAUNA!

It is critically important that the sauna foundation is sturdy and level. An unstable foundation can cause the sauna to tilt, shift, or fall, leading to injury. Pay close attention to the items needed for each step. Make sure you are using the correct hardware for each step.

- Using incorrect hardware may result in improper assembly.
- Ensure the surface is firm and level and can support the weight of the sauna and its users. (1400+ lbs.)
- Many garages, basements or deck floors are sloped for drainage. A slight slope will not be an issue. A more pronounced slope will require shimming to make the sauna level.
- Missing from the last review, please add:
- Consider a concrete slab, paver stones, or something similar to prevent the cradle supports from settling in the ground. Concrete anchors are provided in the kit.
- If installing on the ground or gravel surface, ground anchors are included in the kit.
- If installing on a deck, confirm there is ample structural support under the deck. The hardware to mount to a wood deck is NOT included and will need to be purchased separately.
- Consider distance from your electrical service box as this can greatly impact the cost of needed electrical work.
- If located in an area that tends to receive high winds, it is recommended to take extra precautions to ensure the door does not blow open. In most situation, this should not be a concern.

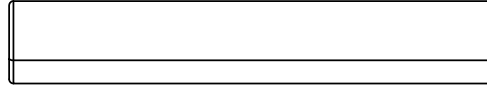


# OWNER'S MANUAL - ANCHORING LAYOUT



# OWNER'S MANUAL - PARTS IDENTIFICATION

## WOOD COMPONENTS (NOT TO SCALE)



AM02 DOOR HANDLE-W4L22361  
(x1) 2 1/4"x3"x13 5/16" (57x76x338)



E01 TRIM BOARD-W4L22345  
(x2) 1 7/16"x3 3/8"x60 3/8" (36x86x1534)



H01 ROOF TRIM-W4L22909  
(x2) 15/16"x3 3/8"x89 3/8" (24x86x2270)



HB01 WALL BOARD-W4L22356  
(x2) 15/16"x2 3/4"x48 1/16" (24x70x1220)



N01 HEATER MOUNT-W4L22411  
(x2) 5/8"x2 3/8"x16 9/16" (16x60x420)



NG03 FASCIA-W4L22910  
(x1) 13/16"x3 1/8"x60 3/8" (20x80x1534)



NG04 SLAT-W4L22385  
(x3) 13/16"x3 3/8"x50 1/4" (20x86x1276)



NR03 HEATER GUARD BOARD-W4L22413  
(x5) 13/16"x2 3/8"x21 3/16" (20x60x538)



NR04 HEATER GUARD BOARD-W4L22412  
(x5) 13/16"x2 3/8"x16 15/16" (20x60x430)



OG01 FLOOR JOIST-W4L22363  
(x1) 1 3/16"x3 3/8"x63 1/16" (30x86x1602)



OG02 FLOOR JOIST-W4L22367  
(x1) 1 3/16"x3 3/8"x48 1/16" (30x86x1220)

# OWNER'S MANUAL - PARTS IDENTIFICATION

## WOOD COMPONENTS (NOT TO SCALE)



OG03 FLOOR JOIST-W4L22368  
(x1) 1 3/16"x3 3/8"x21 7/8" (30x86x556)



OG04 FLOOR JOIST-W4L22369  
(x1) 1 3/16"x3 3/8"x48 1/16" (30x86x1220)



OG05 FLOOR JOIST-W4L22372  
(x1) 1 3/16"x3 3/8"x61 7/8" (30x86x1572)



OG06 FLOOR JOIST-W4L22380  
(x1) 1 3/16"x3 3/8"x48 1/16" (30x86x1220)



OG07 SEAT CLEAT-W4L22382  
(x1) 1 3/16"x3 3/8"x45 7/16" (30x86x1154)



OG08 SEAT CLEAT-W4L22384  
(x2) 1 3/16"x3 3/8"x19 1/8" (30x86x486)



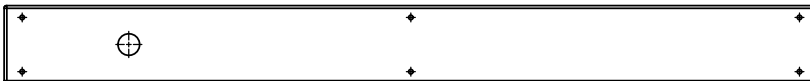
OG10 WIREWAY BOARD-W4L22387  
(x1) 1 3/16"x3 3/8"x60 3/4" (30x86x1543)



OG11 WIREWAY BOARD-W4L22388  
(x1) 1 3/16"x3 3/8"x5 11/16" (30x86x144)



OG12 WIREWAY BOARD-W4L22389  
(x1) 1 3/16"x3 3/8"x19 3/4" (30x86x501)



OG13 LIGHT MOUNT-W4L22391  
(x1) 30x3 3/8"x35 7/16" (30x86x900)



OG15 SEAT CLEAT-W4L22407  
(x2) 1 3/16"x3 3/8"x19 1/8" (30x86x486)



OJ01 WALL BOARD-W4L22347  
(x2) 1 3/16"x5 1/4"x63 1/16" (30x134x1602)

# OWNER'S MANUAL - PARTS IDENTIFICATION

## WOOD COMPONENTS (NOT TO SCALE)



OJ02 WALL BOARD-W4L22348  
(x28) 1 3/16"x5 1/4"x63 1/16" (30x134x1602)



OJ03 WALL BOARD-W4L22349  
(x1) 1 3/16"x5 1/4"x50 3/8" (30x134x1280)



OJ04 WALL BOARD-W4L22350  
(x10) 1 3/16"x5 1/4"x50 3/8" (30x134x1280)



OJ05 WALL BOARD-W4L22351  
(x10) 1 3/16"x5 1/4"x24 3/4" (30x134x629)



OJ06 WALL BOARD-W4L22352  
(x1) 1 3/16"x5 1/4"x24 3/4" (30x134x629)



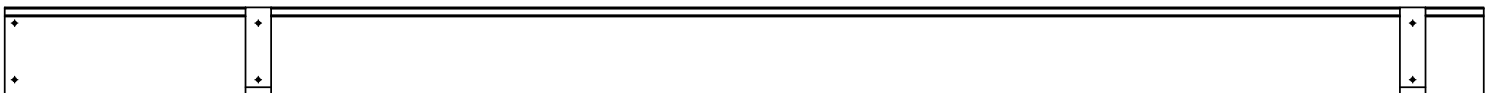
OJ07 WALL BOARD-W4L22353  
(x1) 1 3/16"x5 1/4"x24 3/4" (30x134x629)



OJ08 WALL BOARD-W4L22354  
(x1) 1 3/16"x5 1/4"x50 3/8" (30x134x1280)



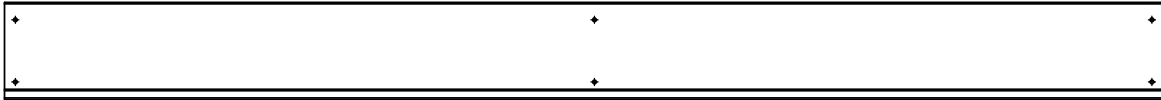
OJ09 WALL BOARD-W4L22357  
(x2) 1 3/16"x5 1/4"x63 1/16" (30x134x1602)



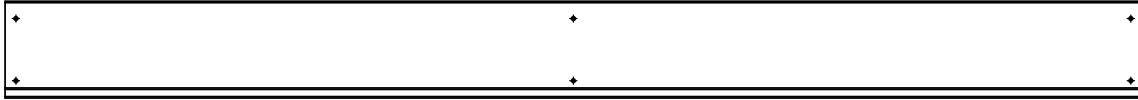
OJ10 ROOF BOARD-W4L22359  
(x12) 1 3/16"x5 1/4"x88 9/16" (30x134x2250)

# OWNER'S MANUAL - PARTS IDENTIFICATION

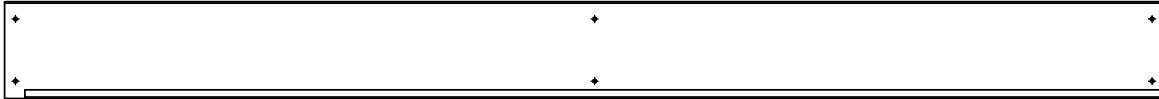
## WOOD COMPONENTS (NOT TO SCALE)



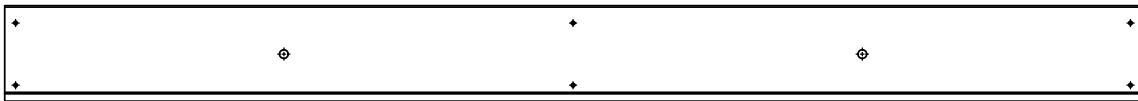
OJ11 FLOOR BOARD-W4L22374  
(x3) 1 3/16"x5 1/4"x63 1/16" (30x134x1602)



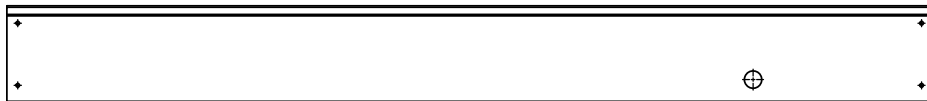
OJ12 FLOOR BOARD-W4L22376  
(x4) 1 3/16"x5 1/4"x61 7/8" (30x134x1572)



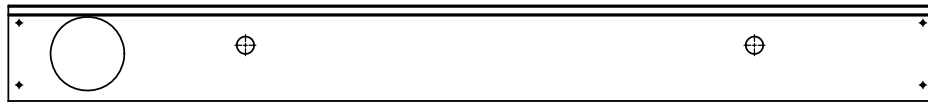
OJ13 FLOOR BOARD-W4L22377  
(x1) 1 3/16"x5 1/4"x63 1/16" (30x134x1602)



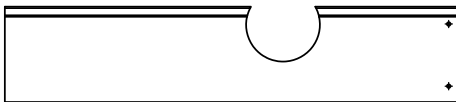
OJ14 FLOOR BOARD-W4L22379  
(x1) 1 3/16"x5 1/4"x61 7/8" (30x30x1572)



OJ15 WALL BOARD-W4L22390  
(x1) 1 3/16"x5 1/4"x50 3/8" (30x134x1280)



OJ16 WALL BOARD-W4L22392  
(x1) 1 3/16"x5 1/4"x50 3/8" (30x134x1280)



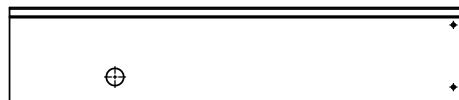
OJ17 WALL BOARD-W4L22394  
(x1) 1 3/16"x5 1/4"x24 3/4" (30x134x629)



OJ18 WALL BOARD-W4L22395  
(x1) 1 3/16"x5 1/4"x24 3/4" (30x134x629)



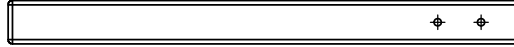
OJ20 WALL BOARD-W4L22397  
(x1) 1 3/16"x5 1/4"x50 3/8" (30x134x1280)



OJ21 WALL BOARD-W4L22408  
(x1) 1 3/16"x5 1/4"x24 3/4" (30x134x629)

# OWNER'S MANUAL - PARTS IDENTIFICATION

## WOOD COMPONENTS (NOT TO SCALE)



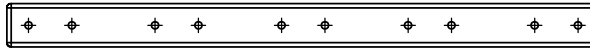
OO01 SLAT CLEAT-W4L22404  
(x2) 1 3/16"x1 3/16"x14" (30x30x355)



OO02 FLOOR TRIM-W4L22365  
(x1) 1 3/16"x1 3/16"x63 1/16" (30x30x1602)



OO03 HEATER GUARD BOARD-W4L22038  
(x2) 1 3/16"x1 3/16"x16 1/8" (30x30x410)



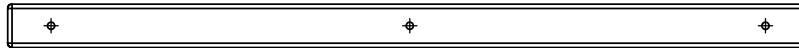
OO04 HEATER GUARD BOARD-W4L22035  
(x1) 1 3/16"x1 3/16"x16 1/8" (30x30x410)



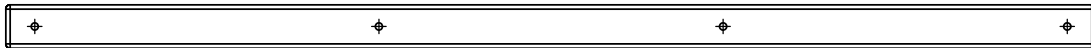
OO05 FLOOR TRIM-W4L22366  
(x1) 1 3/16"x1 3/16"x48 1/16" (30x30x1220)



OO06 FLOOR TRIM-W4L22373  
(x1) 1 3/16"x1 3/16"x61 7/8" (30x30x1572)



OO07 FLOOR TRIM-W4L22378  
(x1) 1 3/16"x1 3/16"x21 13/16" (30x30x554)



OO09 TRIM-W4L22400  
(x2) 1 3/16"x1 3/16"x29 11/16" (30x30x754)



OO10 TRIM-W4L22401  
(x2) 1 3/16"x1 3/16"x17 5/16" (30x30x439)



OO11 TRIM-W4L22402  
(x1) 1 3/16"x1 3/16"x59 13/16" (30x30x1519)



OO13 TRIM-W4L22414  
(x1) 1 3/16"x1 3/16"x61" (30x30x1549)



OO14 TRIM-W4L22607  
(x2) 1 3/16"x1 3/16"x37 7/8" (30x30x962)



OO15 TRIM-W4L22608  
(x1) 1 3/16"x1 3/16"x47 9/16" (30x30x1208)

# OWNER'S MANUAL - PARTS IDENTIFICATION

## WOOD COMPONENTS (NOT TO SCALE)



OO16 TRIM-W4L22415  
(x1) 1 3/16"x1 3/16"x2 3/8" (30x30x60)



OR01 SEAT UPRIGHT-W4L22406  
(x2) 1 3/16"x2 3/8"x28 3/4" (30x60x730)



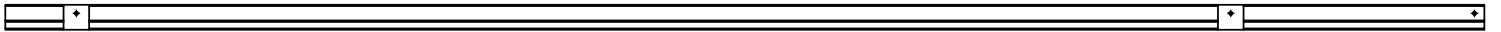
OR02 ANGLE BRACE-W4L21946  
(x4) 1 3/16"x2 3/8"x10 7/8" (30x60x276)



OR03 BENCH UPRIGHT-W4L22405  
(x2) 1 3/16"x2 3/8"x14" (30x60x355)



OR04 ROOF BOARD-W4L22359  
(x1) 1 3/16"x1 1/2"x88 9/16" (30x38x2250)



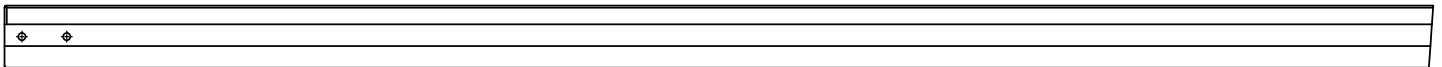
OR05 ROOF BOARD-W4L22359  
(x1) 1 3/16"x1 1/2"x88 9/16" (30x38x2250)



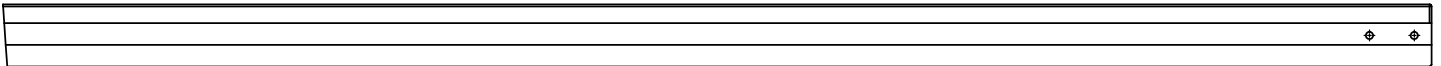
OS01 FLOOR BOARD-W4L22364  
(x1) 1 3/16"x3 1/4"x63 1/16" (30x82x1602)



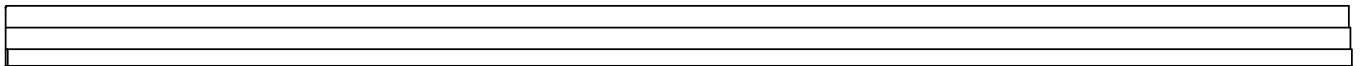
OS02 FLOOR BOARD-W4L22375  
(x1) 1 3/16"x3 11/16"x61 7/8" (30x94x1572)



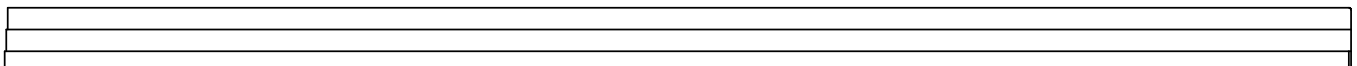
SP01 POST-W4L22341  
(x1) 3 3/8"x3 3/8"x77 13/16" (86x86x1976)



SP02 POST-W4L22342  
(x1) 3 3/8"x3 3/8"x77 13/16" (86x86x1976)



SP03 POST-W4L22343  
(x1) 3 3/8"x3 3/8"x73 1/16" (86x86x1862)



SP04 POST-W4L22344  
(x1) 3 3/8"x3 3/8"x74 1/4" (86x86x1862)

# OWNER'S MANUAL - PARTS IDENTIFICATION

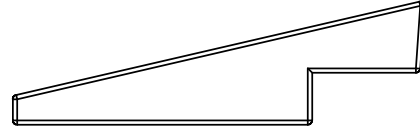
## WOOD COMPONENTS (NOT TO SCALE)



W01 SEAT TRIM-W4L22383  
(x2) 1 9/16"x3 3/8"x50 1/4" (40x86x1276)



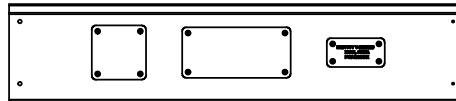
W02 FOOT BRACE-W4L22399  
(x4) 1 15/16"x3 3/8"x10 1/4" (50x86x261)



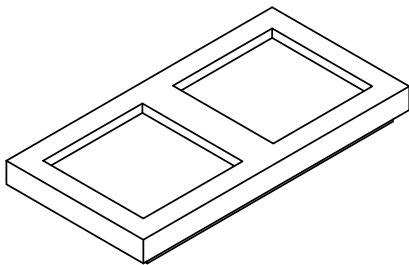
W03 ANGLE BRACE-W4L22409  
(x2) 1 15/16"x3 3/8"x11 1/4" (50x86x285)



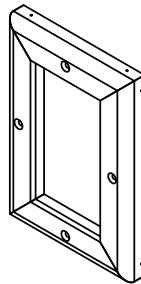
W04 FASCIA-W4L22912  
(x1) 1 15/16"x3 3/8"x62 5/16" (50x86x1583)



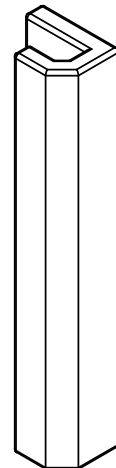
WB01 WALL BOARD ASSEMBLY-W2A04921  
(x1) 1 3/16"x5 1/4"x24 3/4" (30x134x629)



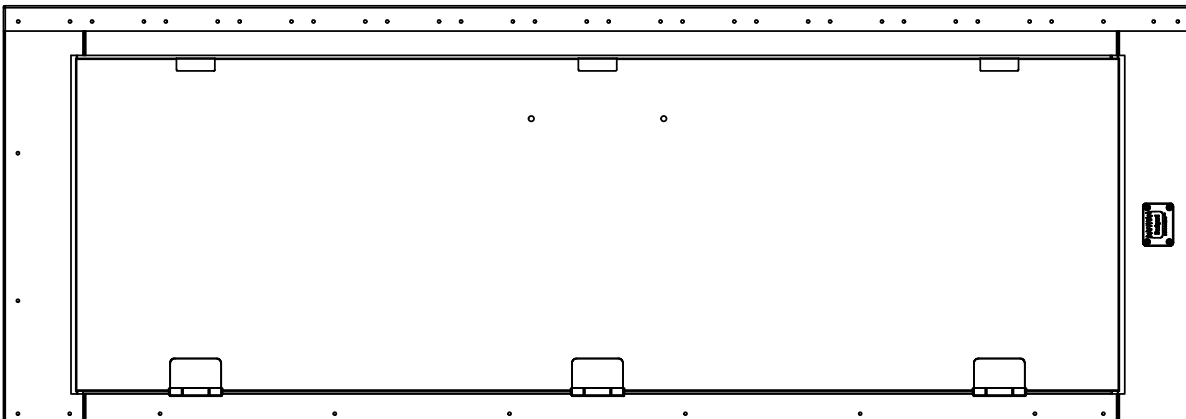
T01 THERMOMETER-W4L21965  
(x1)



TF01 TRIM FRAME-W2A04797  
(x1) 7/8"x5 9/16"x8 1/16" (22x142x204)



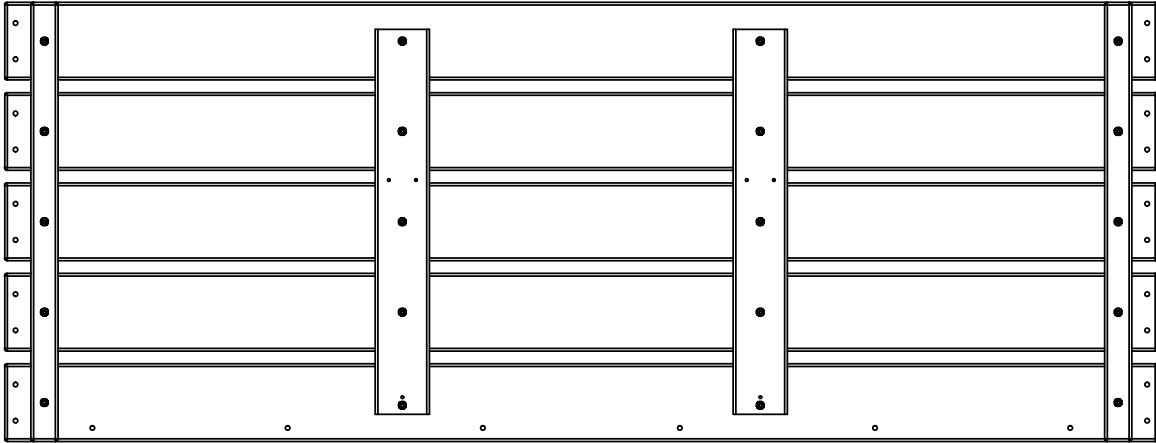
AM01 DOOR HANDLE-W2A04917  
(x1) 2 1/4"x3"x13 5/16" (57x76x338)



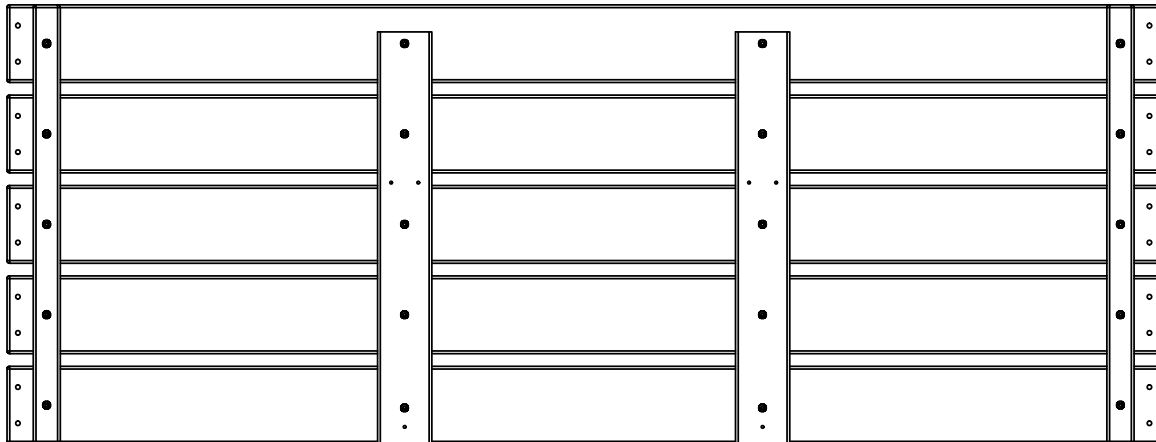
WP01 DOOR WALL PANEL ASSEMBLY-W2A04911  
(x1) 2 3/8"x27 1/4"x77 5/8" (60x692x1972)

# OWNER'S MANUAL - PARTS IDENTIFICATION

## WOOD COMPONENTS (NOT TO SCALE)



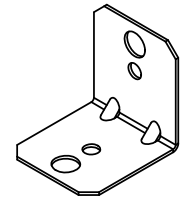
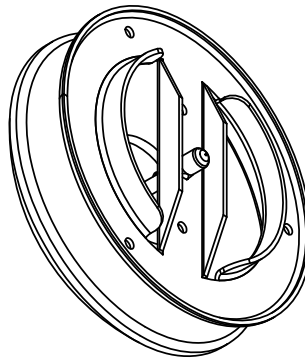
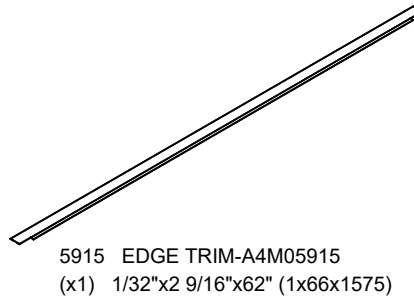
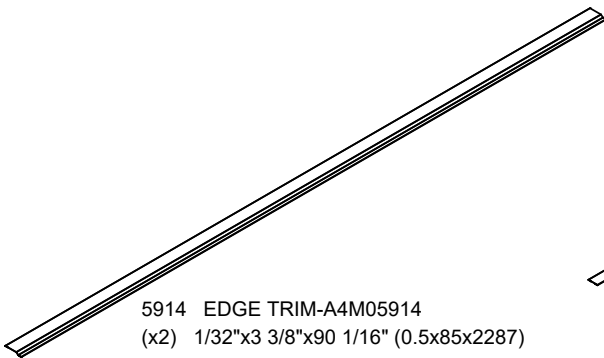
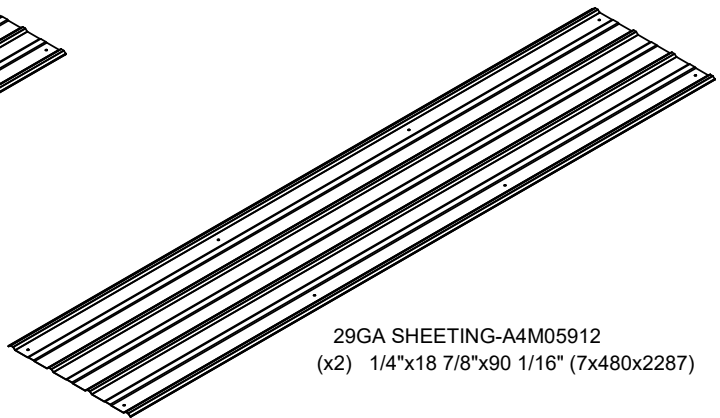
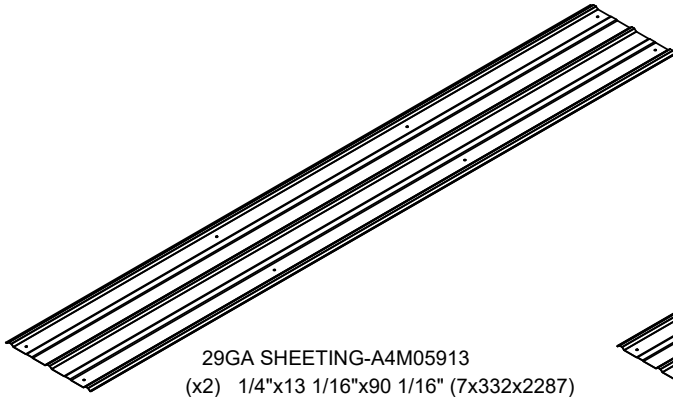
BA01 BENCH ASSEMBLY-W2A04918  
(x1) 1 15/16"x19 1/8"x50 1/4" (50x486x1276)



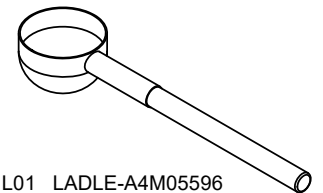
BA02 BENCH ASSEMBLY-W2A04920  
(x1) 1 15/16"x19 1/8"x50 1/4" (50x486x1276)

# OWNER'S MANUAL - PARTS IDENTIFICATION

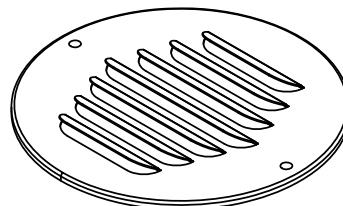
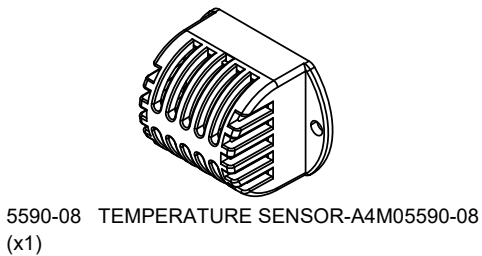
## ACCESSORY COMPONENTS (NOT TO SCALE)



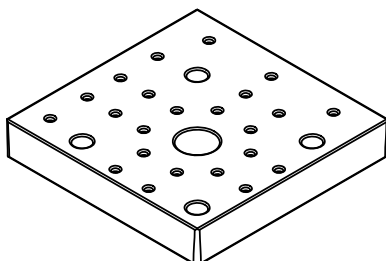
555 L BRACKET BLK-A4M00555  
(x8) 1 1/4"x1 3/8"x1 3/8" (32x35x35)



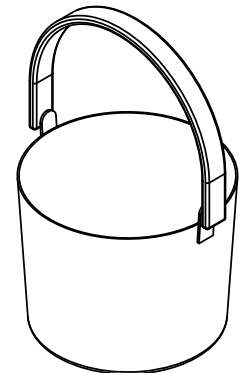
L01 LADLE-A4M05596  
(x1)



5285 VENT-A4M05285  
(x2)



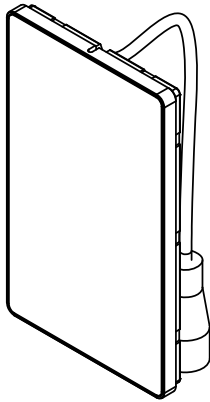
1526 BASE FOOT-A6P01526  
(x4) 1"x5 7/8"x5 7/8" (25x150x150)



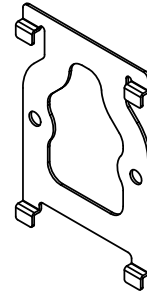
B01 BUCKET-A4M05673  
(x1)

# OWNER'S MANUAL - PARTS IDENTIFICATION

## WOOD COMPONENTS (NOT TO SCALE)



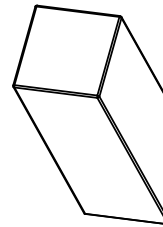
5590-02 CONTROL PANEL-A4M05590-02  
(x1)



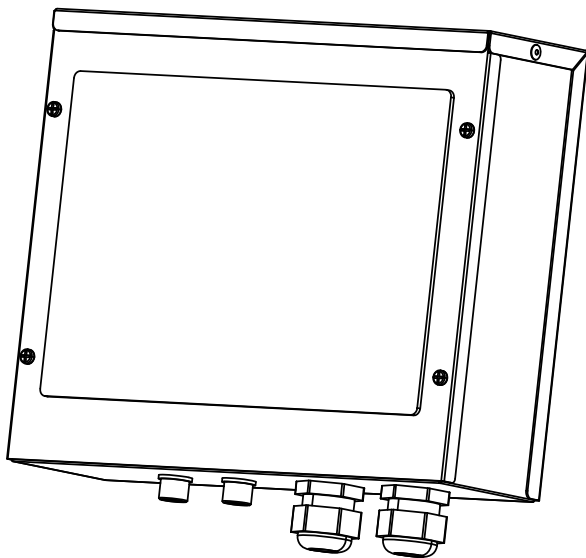
5590-03 CONTROL PANEL MOUNTING BRACKET-A4M05590-03  
(x1)



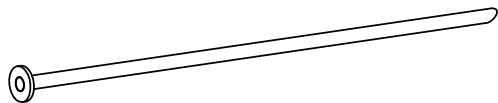
1448 IP CABLE TIE-A6P01448  
(x10)



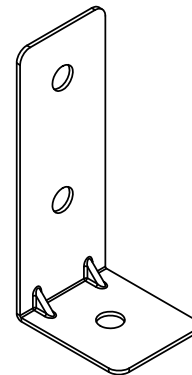
5672 GARMENT HANGER ASSEMBLY-A4M05672  
(x2)



5590-01 CONTROL PANEL - A4M05590-01  
(x1)



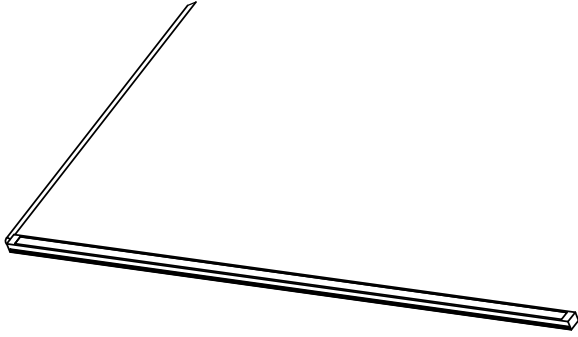
5667 GROUND STAKE-A4M05667  
(x4) 1"16" (25x406)



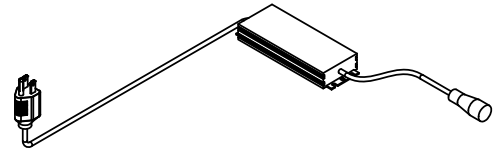
5917 ANCHOR BRACKET-A4M05917  
(x4) 1/16"x1 15/16"x7 5/8" (2x50x193)

# OWNER'S MANUAL - PARTS IDENTIFICATION

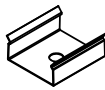
## ACCESSORY COMPONENTS (NOT TO SCALE)



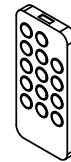
1493-02 LED LIGHT-A6P01493-02  
(x2)



1493-03 LED POWER SUPPLY-A6P01493-03  
(x1)



LIGHT CLIP-A6P01493-04  
(x4)



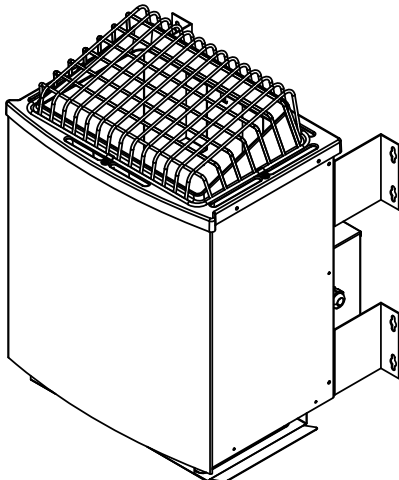
REMOTE-A6P01493-05  
(x1)



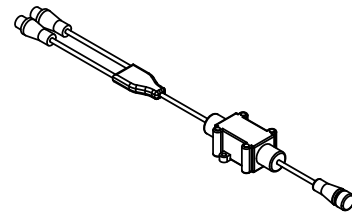
1543 SAUNA POWER WIRE - A6P01543  
(x1)



5590-10 WIRING HARNESS - A4M05590-10  
(x1)



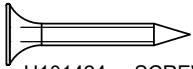
0253 9KW ELECTRIC SAUNA HEATER-9250253  
(x1)



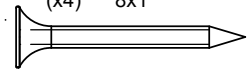
1493-06 REMOTE MODULE-A6P01493-06  
(x1)

# OWNER'S MANUAL - PARTS IDENTIFICATION

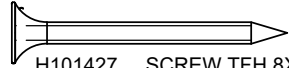
## HARDWARE COMPONENTS (TO SCALE)



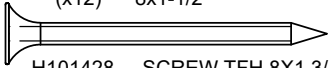
H101424 SCREW TFH 8X1 SS-BLK  
(x4) 8x1



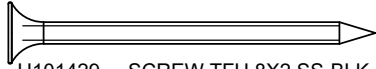
H101426 SCREW TFH 8X1 1/4 SS-BLK  
(x16) 8x1-1/4



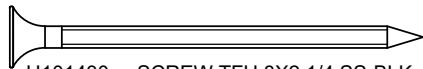
H101427 SCREW TFH 8X1 1/2 SS-BLK  
(x12) 8x1-1/2



H101428 SCREW TFH 8X1 3/4 SS-BLK  
(x117) 8x1-3/4



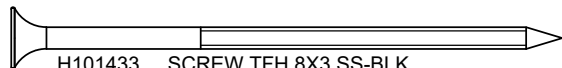
H101429 SCREW TFH 8X2 SS-BLK  
(x629) 8x2



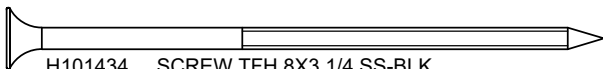
H101430 SCREW TFH 8X2 1/4 SS-BLK  
(x20) 8x2-1/4



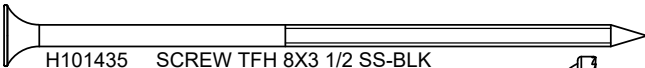
H101431 SCREW TFH 8X2 1/2 SS-BLK  
(x8) 8x2-1/2



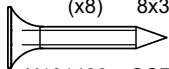
H101433 SCREW TFH 8X3 SS-BLK  
(x9) 8x3



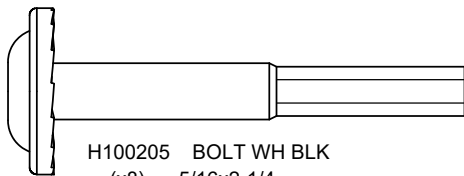
H101434 SCREW TFH 8X3 1/4 SS-BLK  
(x4) 8x3 1/4



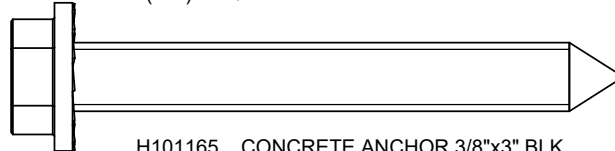
H101435 SCREW TFH 8X3 1/2 SS-BLK  
(x8) 8x3 1/2



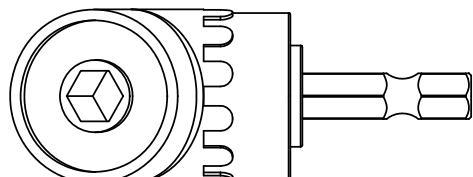
H101423 SCREW TFH 8X7/8 SS-BLK  
(x4) 8x7/8



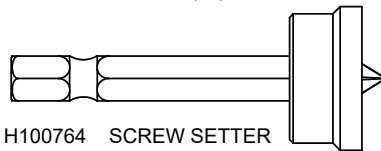
H100205 BOLT WH BLK  
(x8) 5/16x2-1/4



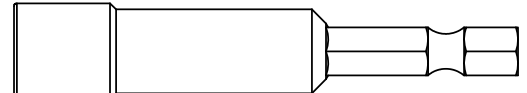
H101165 CONCRETE ANCHOR 3/8"x3" BLK  
(x4) 3/8x3



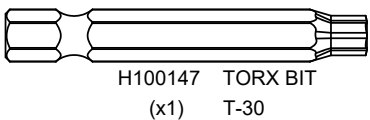
H101114 RIGHT ANGLE DRILL ADAPTER  
(x1)



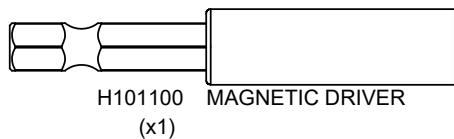
H100764 SCREW SETTER  
(x1)



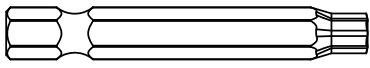
H101106 HEX DRIVER  
(x1) 5/16



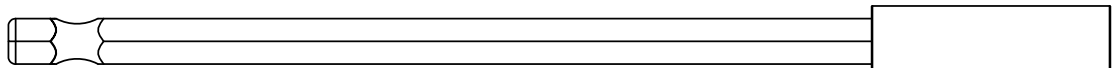
H100147 TORX BIT  
(x1) T-30



H101100 MAGNETIC DRIVER  
(x1)



H100879 TORX BIT  
(x1) T-20



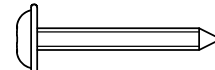
H101278 6" MAGNETIC DRIVER EXTENSION  
(x1)



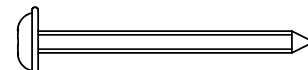
H101437 SCREW TWH 8x5/8 SS-BLK  
(x4) 8x5/8



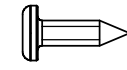
H101438 SCREW TWH 8x3/4 SS-BLK  
(x20) 8x3/4



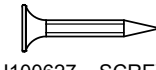
H101440 SCREW TWH 8x1 SS-BLK  
(x11) 8x1



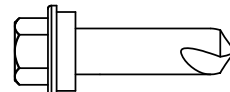
H101443 SCREW TWH 8x1 1/2 SS-BLK  
(x16) 8x1-1/2



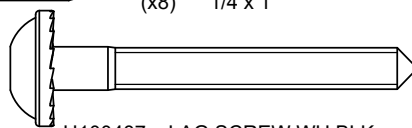
H101409 SCREW PPH 4x1/2 BLK  
(x10) 4x1/2



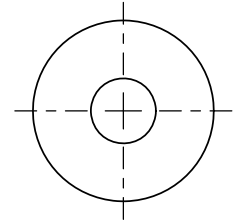
H100627 SCREW PFH BLK  
(x2) 6x3/4



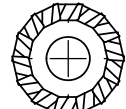
H101116 SCREW SELF TAPPING 1/4x1 BLK  
(x8) 1/4 x 1



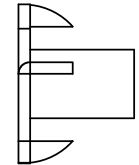
H100487 LAG SCREW WH BLK  
(x12) 1/4x2



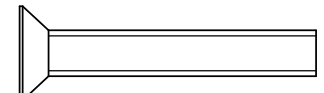
1403 POLY WASHER-H101403  
(x4)



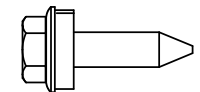
H100405 WASHER LOCK EXT BLK  
(x12) 6x15



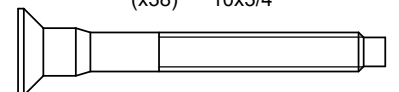
H100379 T-NUT BLK  
(x8) 5/16



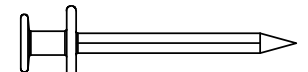
1402 SCREW TFH 1/4-20 X 1 5/8 SS-H101402  
(x2)



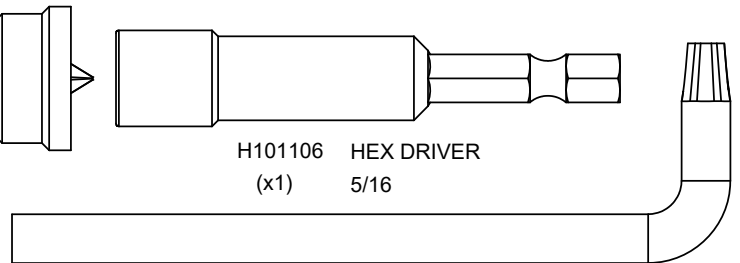
H101117 SCREW WOODGRIP  
(x38) 10x3/4



H101030 SCREW CONFIRMAT BLK  
(x4) 7x2



H101468 SCREW RAISED HEAD  
(x8) 8x1



H100114 TORX WRENCH  
(x1)

# PRE-ASSEMBLY STEP 1 - SORTING PARTS

It is critical for ease of assembly that you take the time to sort and organize the wood and hardware.

---

## WOOD PARTS:

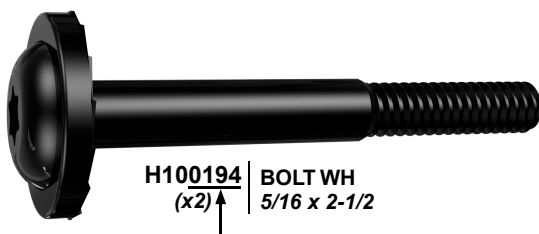
- Organize wood parts by the three-digit, alpha-numeric number stamped on each board (ex. P01).
- If there are multiple boards with the same stamped number, stack those pieces together.
- Stamps can be found on the flat surface of the boards or on the end of the boards.
- Allow yourself plenty of room - the wood pieces can take up a significant amount of space.

**NOTE: CARTONS ARE NOT ORGANIZED BY BOARD NUMBER.**



## HARDWARE PARTS:

- We recommend that you have a separate table to organize the hardware.
- Hardware bags are printed with a seven-digit, alpha-numeric part number.
- You can organize your hardware by part number or group by hardware type (i.e. bolts, nuts, etc.).
- During assembly you only need to reference the last four digits of the number.



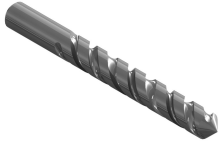
# PRE-ASSEMBLY STEP 2 - TOOLS REQUIRED



Cordless Drill or  
Electric Drill



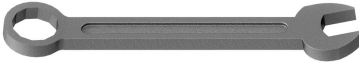
Drill Attachments:  
Phillips Head



1/8", 3/16", 3/8"  
7/16" Drill Bits



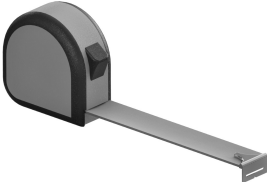
Phillips Screw Driver



Open End  
Wrenches 1/2"  
7/16"



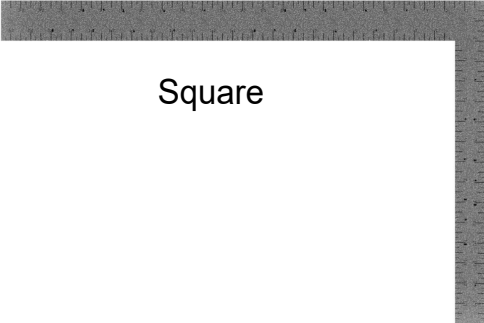
3/8" Drive Ratchet, 1/2"  
7/16" STD Sockets, 1/2"  
7/16" Deep Sockets



Tape Measure



Claw Hammer



Square



Level 24"

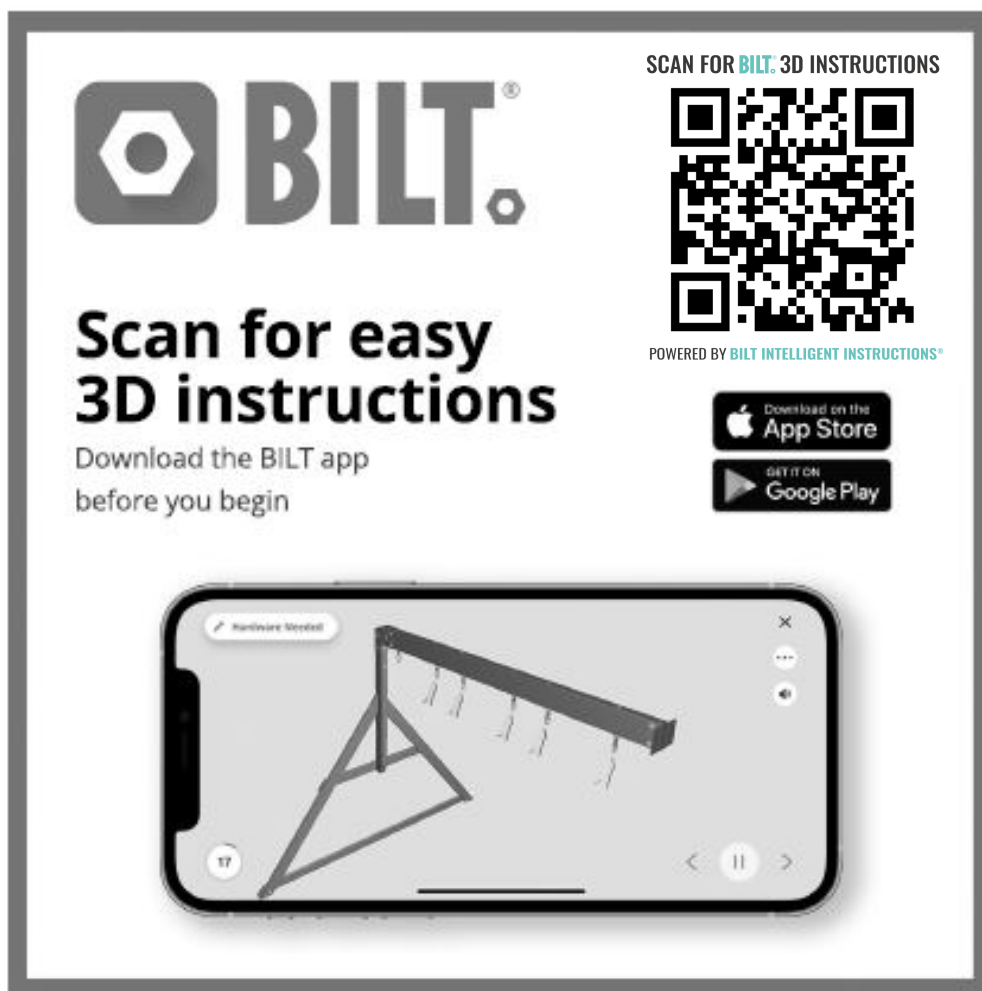


Rubber Mallet -  
Optional

# PRE-ASSEMBLY STEP 3 - CHOOSE YOUR ASSEMBLY METHOD

There are several types of assembly instructions available to you.

1. Printed Assembly Manual included with your set
2. BILT APP - 3D interactive instructions
3. Combination of the Printed Manual and BILT APP (Note: Step numbers can differ between the two methods)



The graphic is a promotional banner for the BILT app. On the left, the BILT logo is displayed in a large, bold, grey font. Below the logo, the text 'Scan for easy 3D instructions' is written in a bold, black font, followed by 'Download the BILT app before you begin' in a smaller, regular black font. On the right side, the text 'SCAN FOR BILT. 3D INSTRUCTIONS' is positioned above a large QR code. Below the QR code, it says 'POWERED BY BILT INTELLIGENT INSTRUCTIONS®'. At the bottom right, there are two buttons: 'Download on the App Store' and 'GET IT ON Google Play'. At the bottom center, a smartphone screen is shown displaying a 3D assembly instruction interface. The screen features a 3D model of a structure, a 'Partlist Needed' button in the top left, a close button (X) in the top right, and navigation controls (back, play/pause, forward) at the bottom.

# STEP 1 - FLOOR ASSEMBLY

QTY	PART NUMBER	DESCRIPTION
2	H101429	SCREW TFH 8X2 SS-BLK

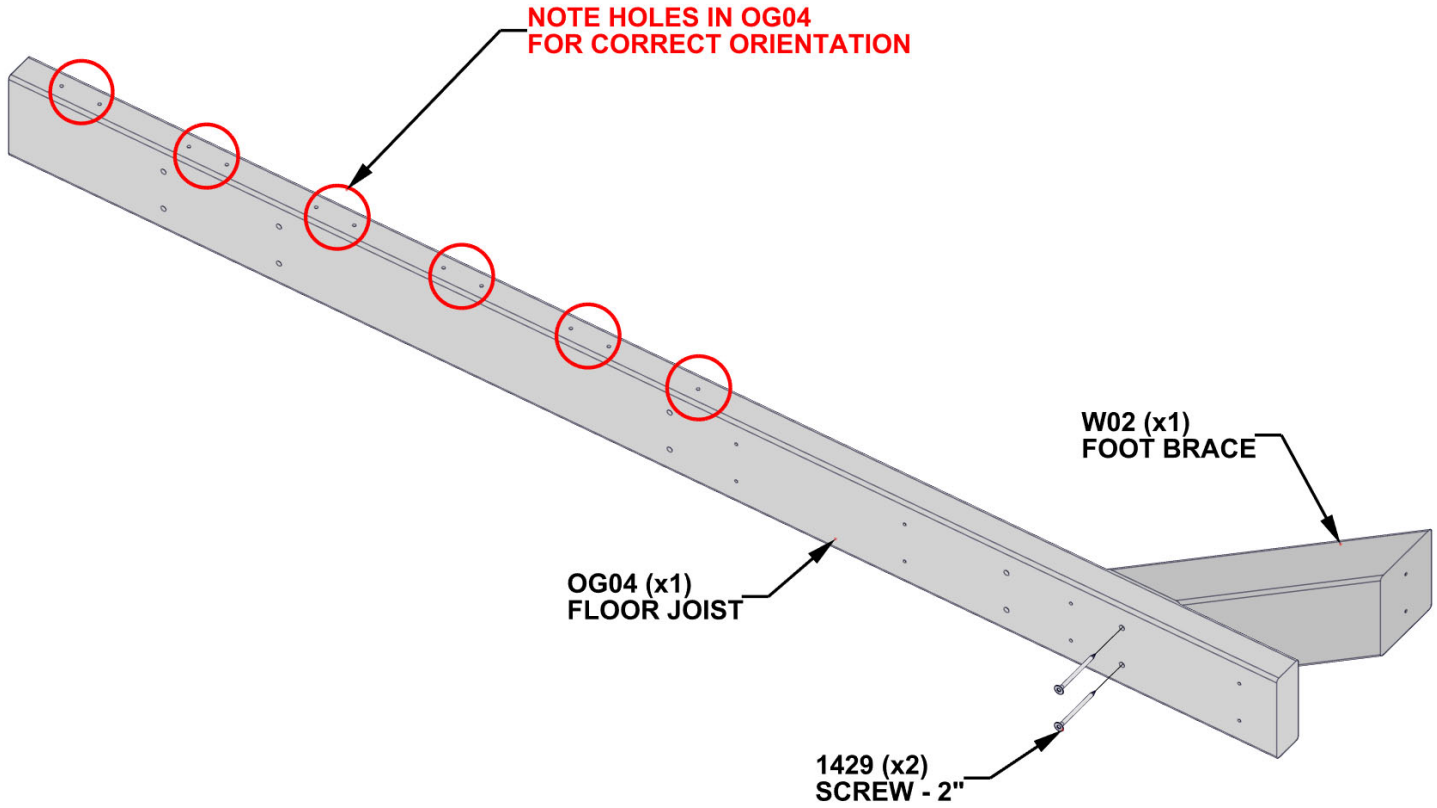


OG04 FLOOR JOIST - W4L22369  
(x1) 1 3/16"x3 3/8"x48 1/16" (30x86x1220)



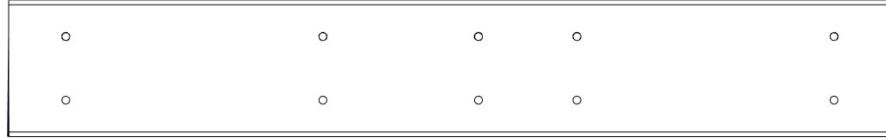
W02 FOOT BRACE - W4L22399  
(x1) 1 15/16"x3 3/8"x10 1/4" (50x86x261)

## - ALIGN PILOT HOLES



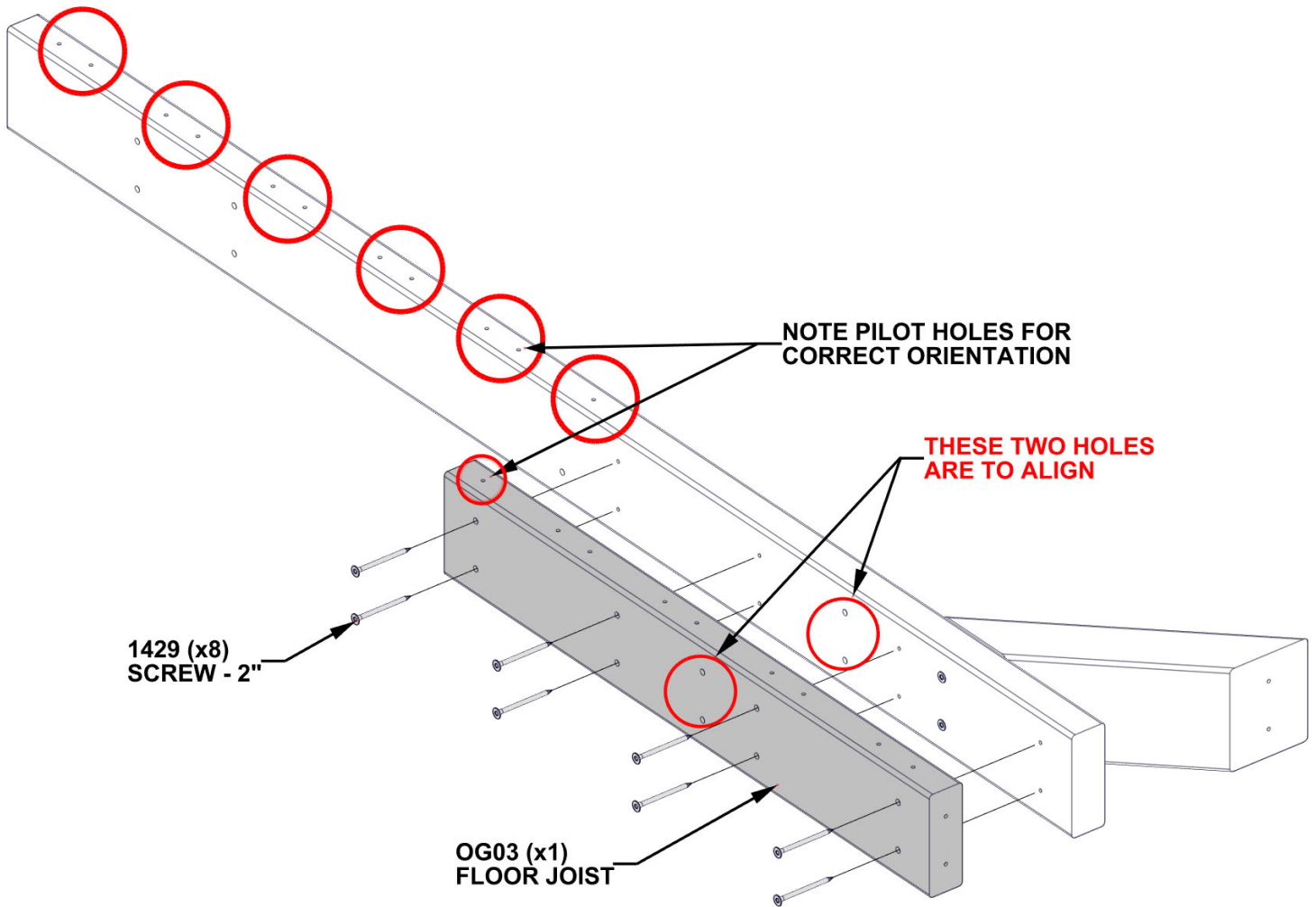
# STEP 2 - FLOOR ASSEMBLY

QTY	PART NUMBER	DESCRIPTION
8	H101429	SCREW TFH 8X2 SS-BLK



OG03 FLOOR JOIST - W4L22368  
(x1) 1 3/16"x3 3/8"x21 7/8" (30x86x556)

## - ALIGN PILOT HOLES



# STEP 3 - FLOOR ASSEMBLY

QTY	PART NUMBER	DESCRIPTION
2	H101429	SCREW TFH 8X2 SS-BLK
4	H101430	SCREW TFH 8X2 1/4 SS-BLK

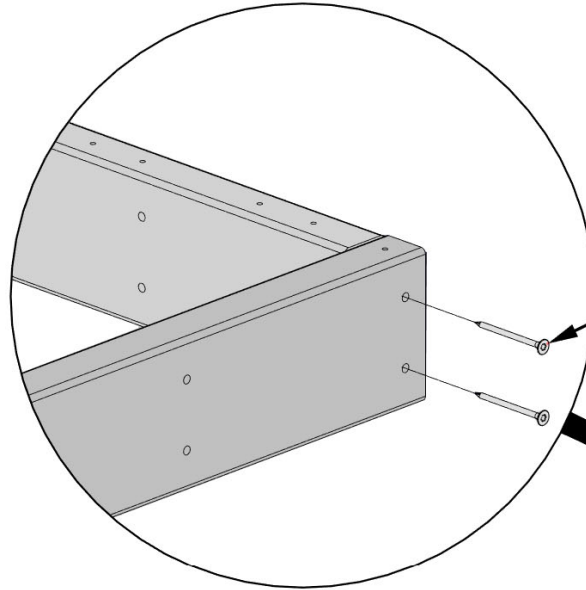


OG01 FLOOR JOIST - W4L22363  
(x1) 1 3/16"x3 3/8"x63 1/16" (30x86x1602)

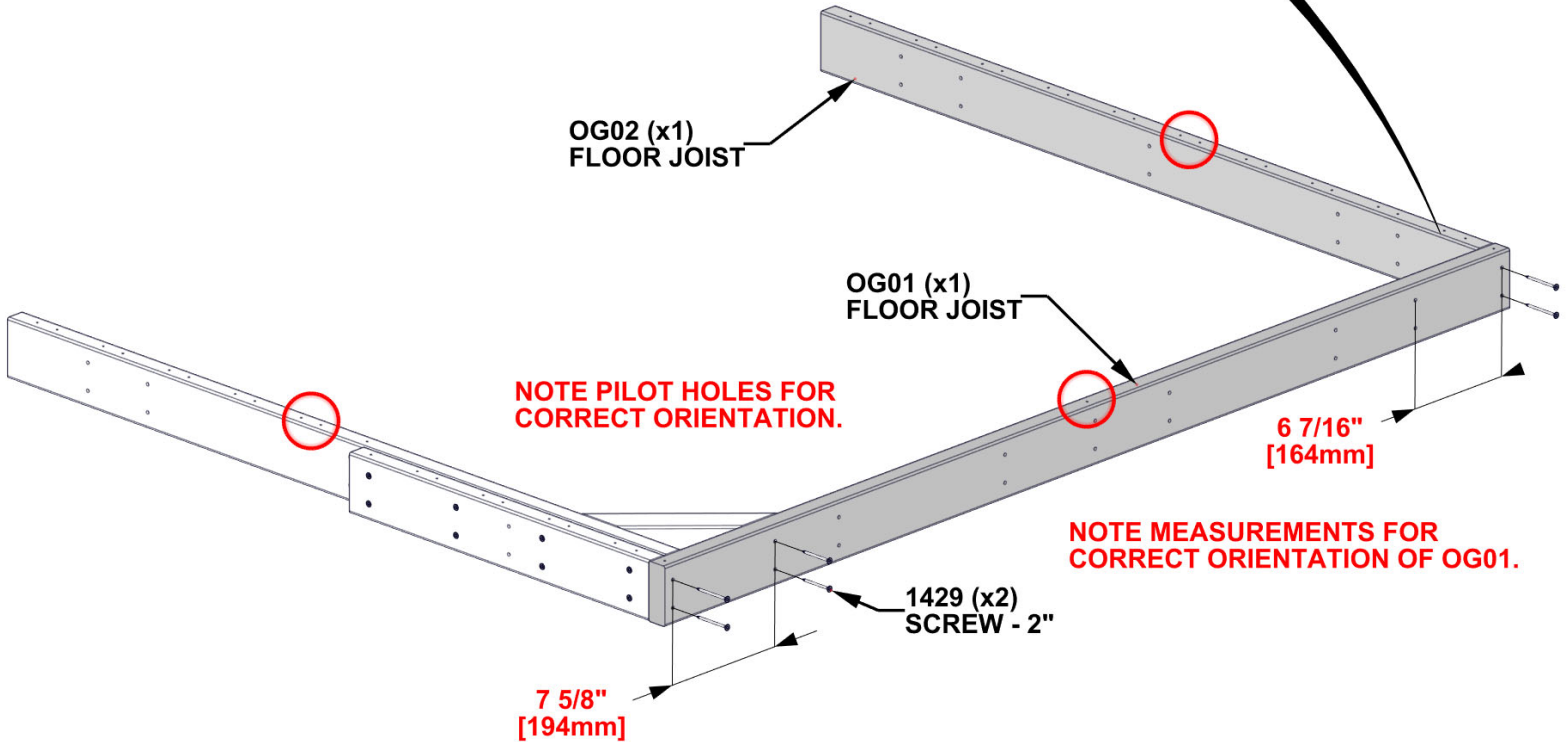


OG02 FLOOR JOIST - W4L22367  
(x1) 1 3/16"x3 3/8"x48 1/16" (30x86x1220)

- HAND TIGHTEN ONLY.
- ALIGN PILOT HOLES



1430 (x4)  
SCREW - 2 1/4"



# STEP 4 - FLOOR ASSEMBLY

QTY	PART NUMBER	DESCRIPTION
4	H101429	SCREW TFH 8X2 SS-BLK
4	H101430	SCREW TFH 8X2 1/4 SS-BLK

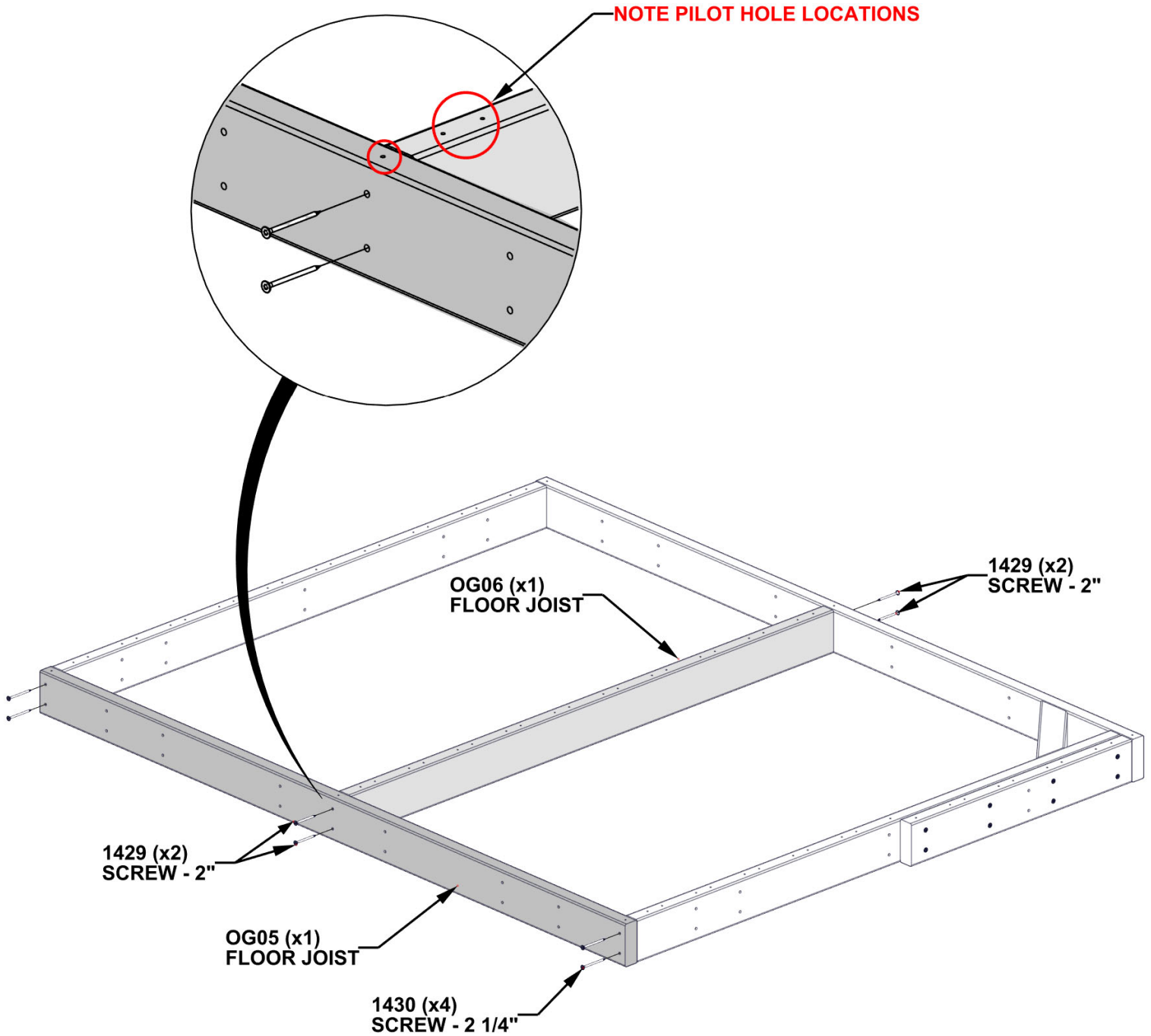


OG05 FLOOR JOIST - W4L22372  
(x1) 1 3/16"x3 3/8"x61 7/8" (30x86x1572)



OG06 FLOOR JOIST - W4L22380  
(x1) 1 3/16"x3 3/8"x48 1/16" (30x86x1220)

- SQUARE FLOOR JOIST AND TIGHTEN HARDWARE.
- ALIGN PILOT HOLES.



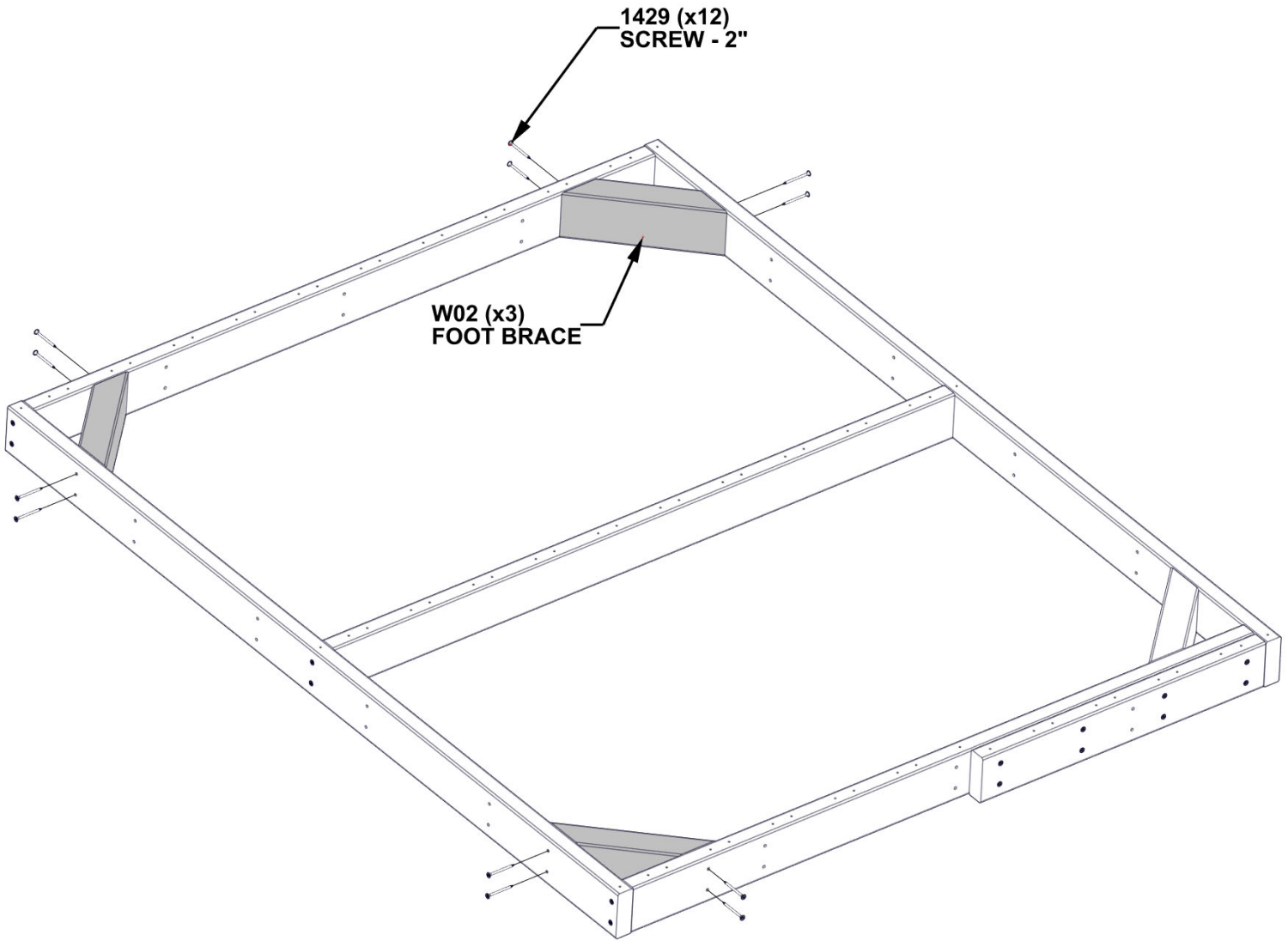
# STEP 5 - FLOOR ASSEMBLY

QTY	PART NUMBER	DESCRIPTION
12	H101429	SCREW TFH 8X2 SS-BLK



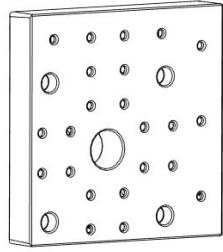
W02 FOOT BRACE - W4L22399  
(x3) 1 15/16"x3 3/8"x10 1/4" (50x86x261)

## - ALIGN PILOT HOLES



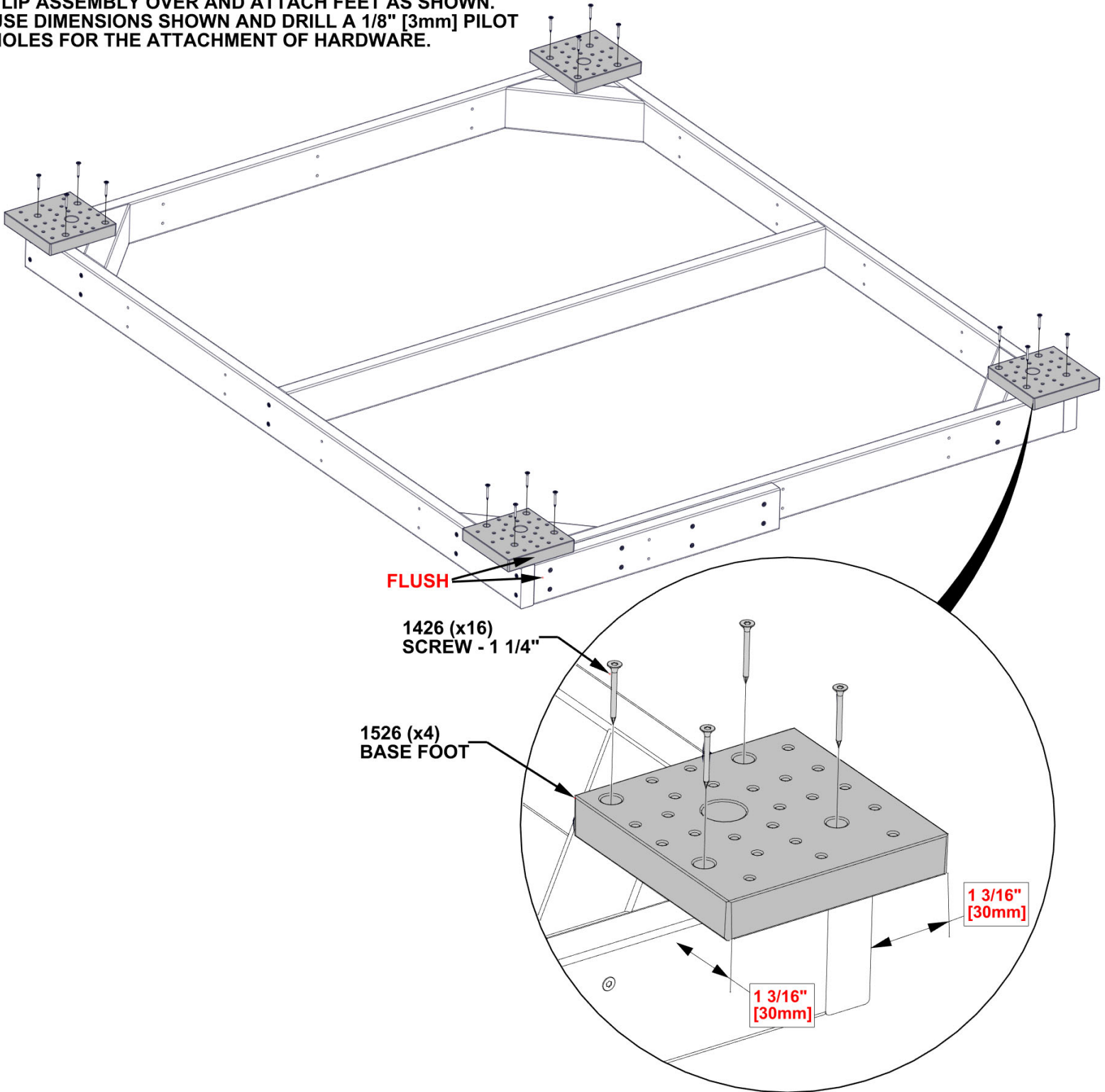
# STEP 6 - FLOOR ASSEMBLY

QTY	PART NUMBER	DESCRIPTION
16	H101426	SCREW TFH 8X1 1/4 SS-BLK



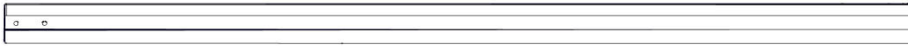
A6P01526 BASE FOOT  
(x4)

- FLIP ASSEMBLY OVER AND ATTACH FEET AS SHOWN.
- USE DIMENSIONS SHOWN AND DRILL A 1/8" [3mm] PILOT HOLES FOR THE ATTACHMENT OF HARDWARE.

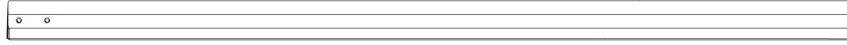


# STEP 7 - LEFT WALL ASSEMBLY

QTY	PART NUMBER	DESCRIPTION
4	H100379	T-NUT BLK
63	H101429	SCREW TFH 8X2 SS-BLK



SP01 POST - W4L22341  
(x1) 3 3/8"x3 3/8"x77 13/16" (86x86x1976)



SP04 POST - W4L22344  
(x1) 3 3/8"x3 3/8"x73 5/16" (86x86x1862)



OJ01 WALL BOARD - W4L22347  
(x1) 1 3/16"x5 1/4"x63 1/16" (30x134x1602)

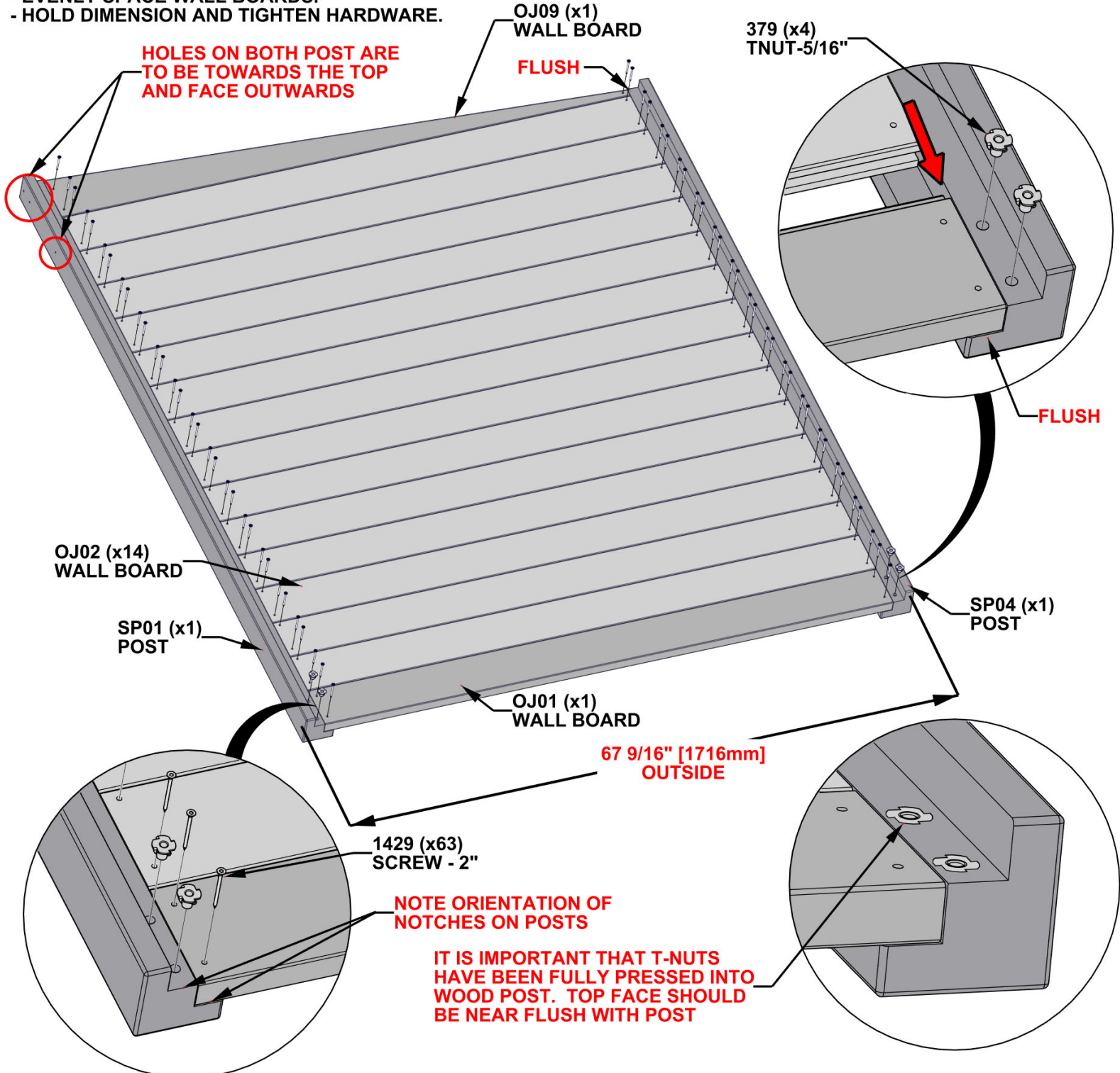


OJ02 WALL BOARD - W4L22348  
(x14) 1 3/16"x5 1/4"x63 1/16" (30x134x1602)



OJ09 WALL BOARD - W4L22357  
(x1) 1 3/16"x5 1/4"x63 1/16" (30x134x1602)

- INSERT T-NUTS INTO POSTS FIRST (SEE IMPORTANT NOTE BELOW).
- THE USE OF SAWHORSES IS RECOMMENDED FOR STEPS 7-9
- EVENLY SPACE WALL BOARDS.
- HOLD DIMENSION AND TIGHTEN HARDWARE.



# STEP 8 - RIGHT WALL ASSEMBLY

QTY	PART NUMBER	DESCRIPTION
4	H100379	T-NUT BLK
63	H101429	SCREW TFH 8X2 SS-BLK



SP02 POST - W4L22342  
(x1) 3 3/8"x3 3/8"x77 13/16" (86x86x1976)



SP03 POST - W4L22343  
(x1) 3 3/8"x3 3/8"x73 5/16" (86x86x1862)



OJ01 WALL BOARD - W4L22347  
(x1) 1 3/16"x5 1/4"x63 1/16" (30x134x1602)

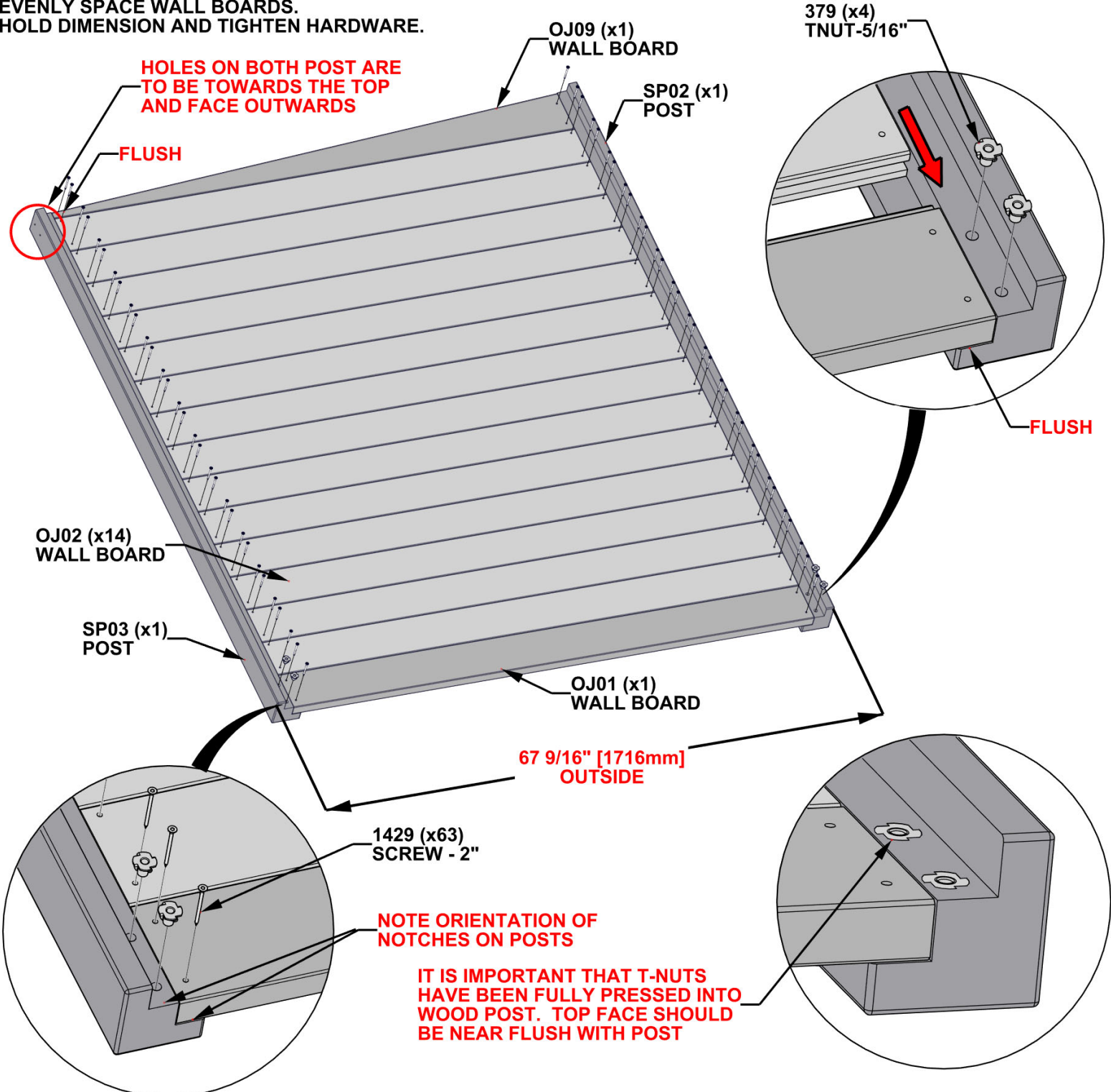


OJ02 WALL BOARD - W4L22348  
(x14) 1 3/16"x5 1/4"x63 1/16" (30x134x1602)



OJ09 WALL BOARD - W4L22357  
(x1) 1 3/16"x5 1/4"x63 1/16" (30x134x1602)

- INSERT T-NUTS INTO POSTS FIRST (SEE IMPORTANT NOTE BELOW).
- LAY WALL BOARDS IN GROOVE AS SHOWN.
- EVENLY SPACE WALL BOARDS.
- HOLD DIMENSION AND TIGHTEN HARDWARE.



# STEP 9 - WALL ASSEMBLY

QTY	PART NUMBER	DESCRIPTION
20	H101429	SCREW TFH 8X2 SS-BLK

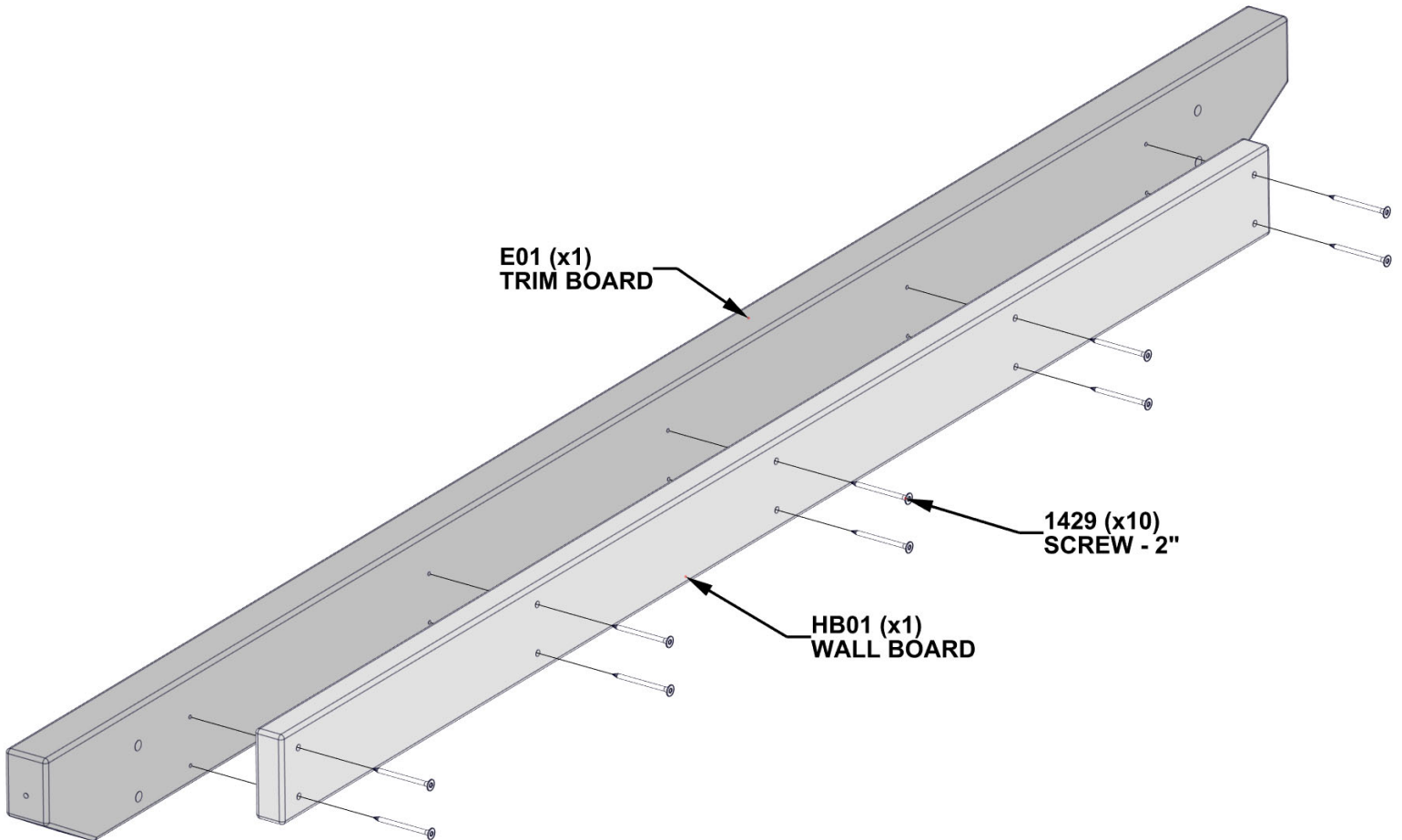


E01 TRIM BOARD - W4L22345  
(x2) 1 7/16"x3 3/8"x60 3/8" (36x86x1534)

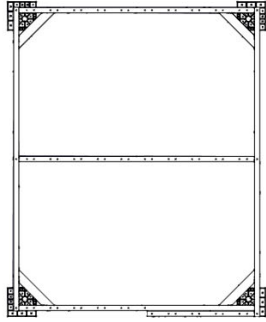


HB01 WALL BOARD - W4L22356  
(x2) 15/16"x2 3/4"x48 1/16" (24x70x1220)

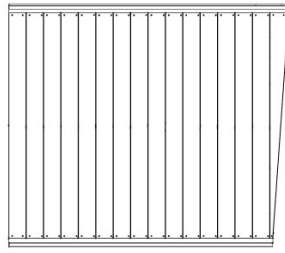
- ALIGN HOLES IN BOARD HB01 WITH PILOT HOLES IN BOARD E01, THEN FASTEN AS SHOWN.
- REPEAT THIS STEP TWICE.



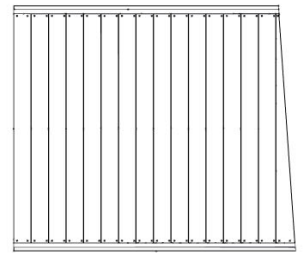
# STEP 10 - WALL ASSEMBLY



FLOOR FRAME - STEP 6

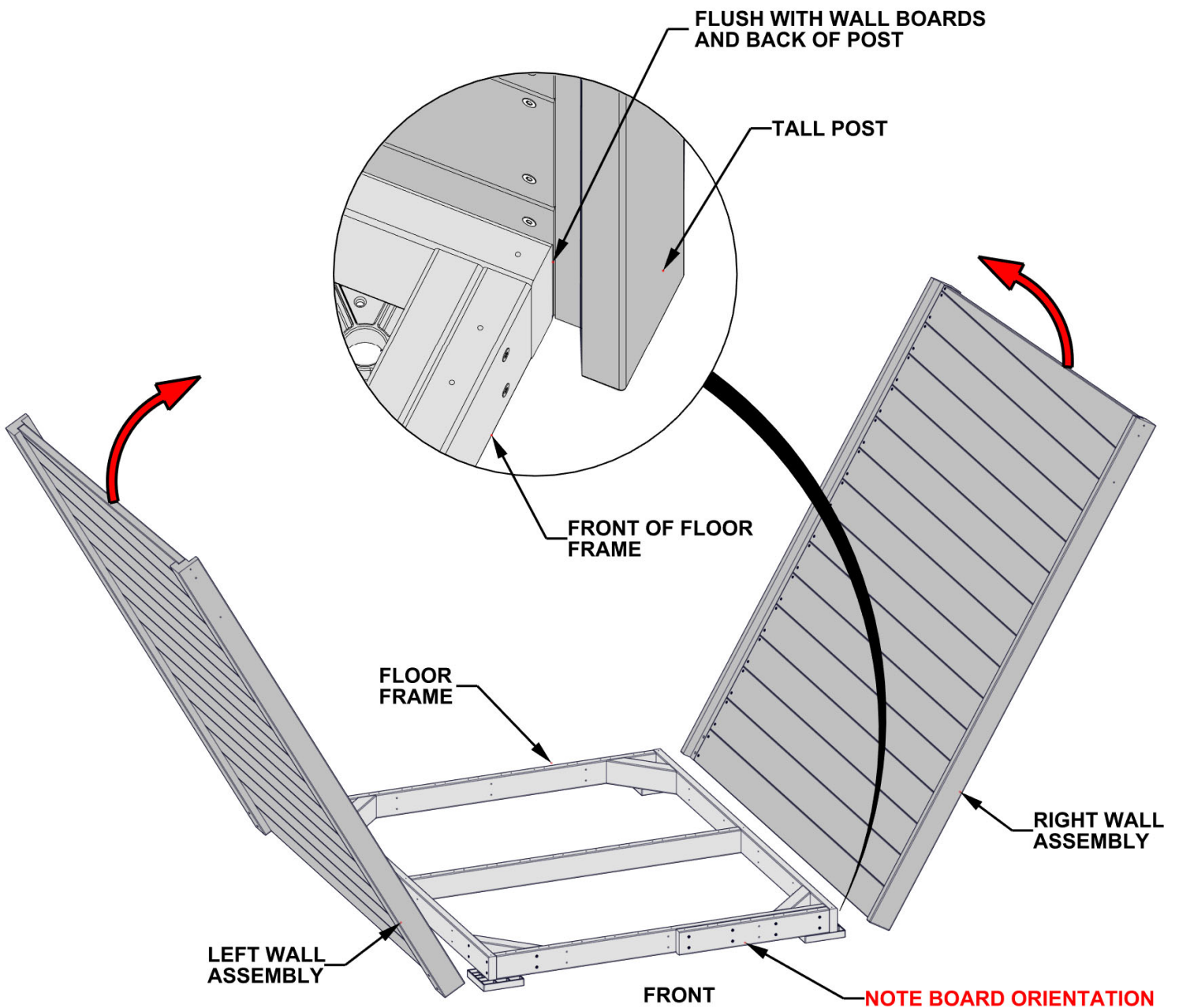


LEFT WALL ASSEMBLY - STEP 7



RIGHT WALL ASSEMBLY - STEP 8

- FRONT OF ASSEMBLY IS DETERMINED BY TALLER POST.
- EXTRA PEOPLE WILL BE NEEDED FOR THIS STEP.
- STAND BOTH LEFT AND RIGHT WALL UP AND PUSHED AGAINST FLOOR FRAME.
- NOTE THE FRONT OF THE FLOOR FRAME WILL HAVE OG03 FLOOR JOIST AS SHOWN.

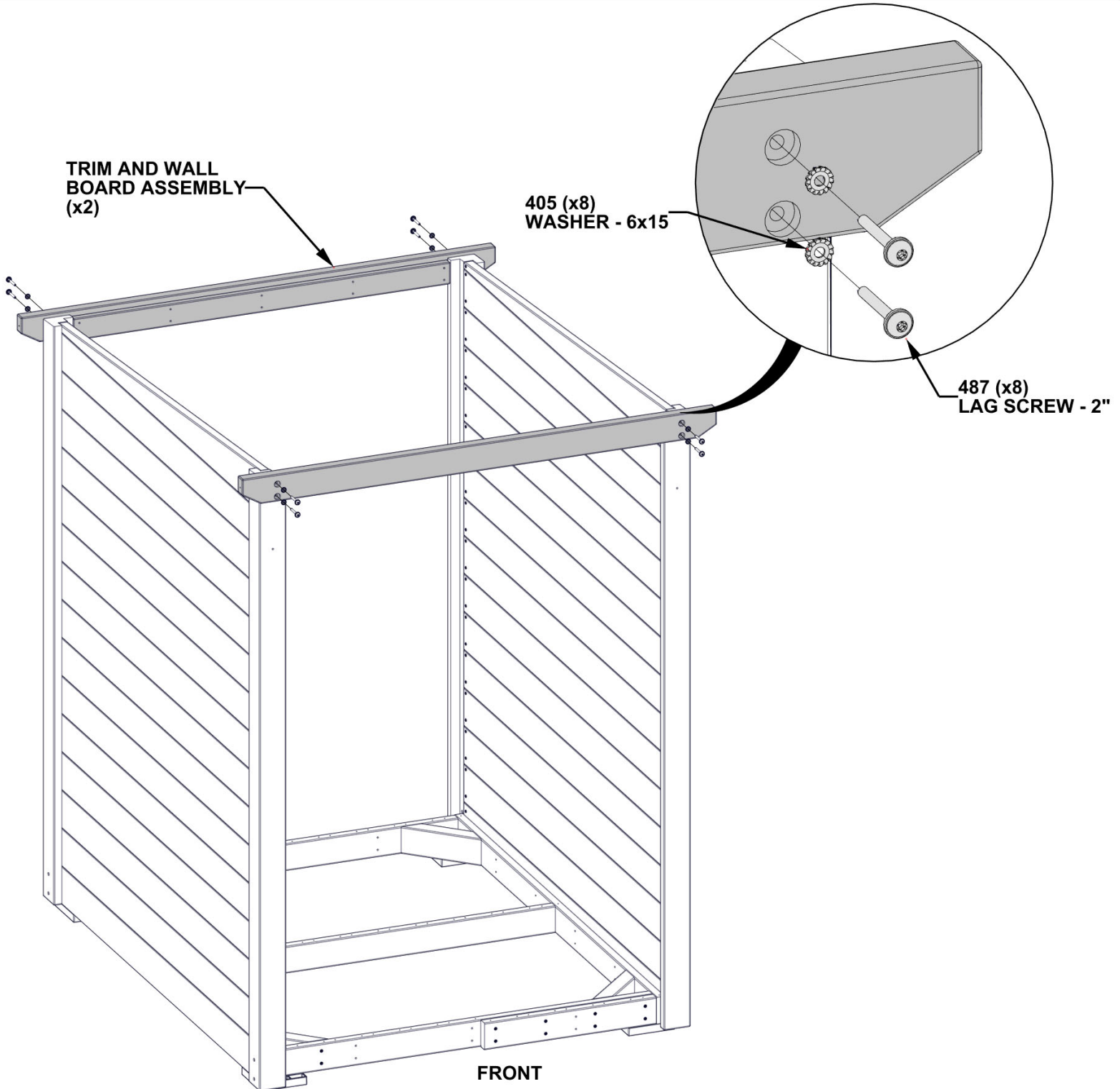


# STEP 11 - WALL ASSEMBLY

QTY	PART NUMBER	DESCRIPTION
8	H100405	WASHER LOCK EXT BLK
8	H100487	LAG SCREW WH BLK

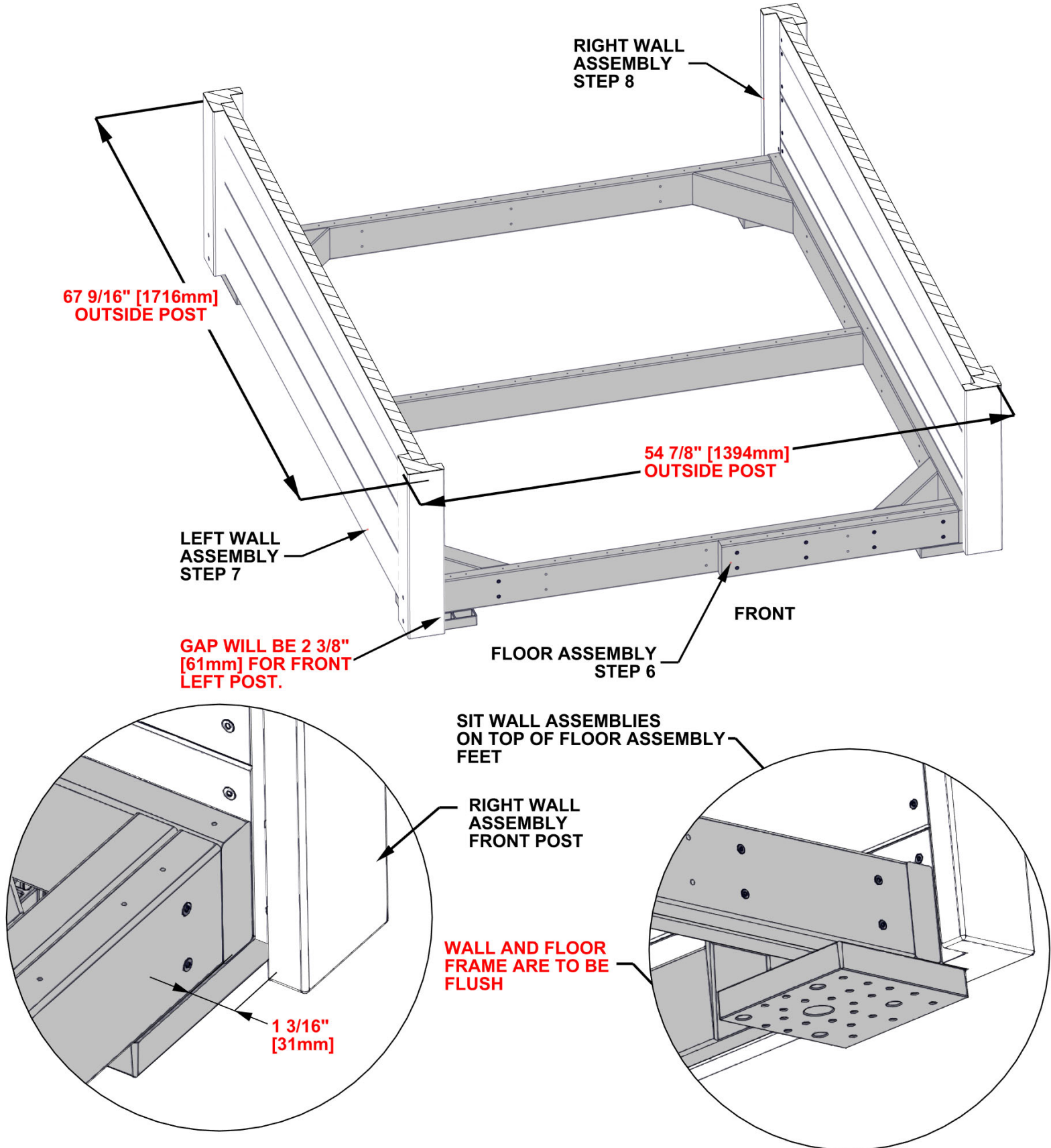


TRIM AND WALL BOARD ASSEMBLY - STEP 9  
(x2)



# STEP 12 - WALL ASSEMBLY

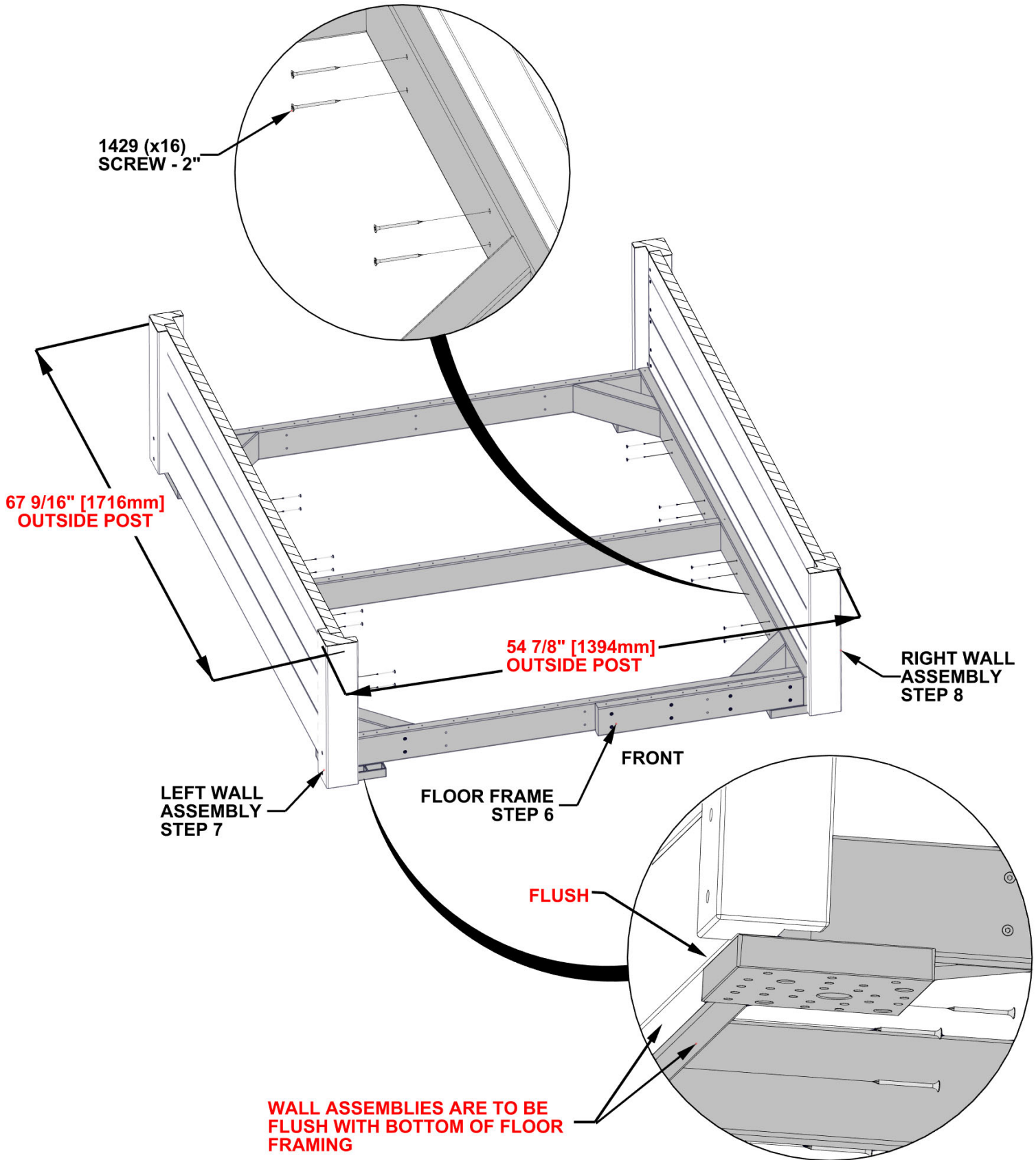
- MAKE SURE FLOOR FRAME IS SQUARE AND LEVEL.
- CAREFULLY LIFT WALLS AND PLACE ON TOP OF FLOOR ASSEMBLY FEET. SEE DETAIL BELOW.
- MAINTAIN THE 1 3/16" [31mm] GAP SHOWN BELOW ON ALL POSTS EXCEPT FOR FRONT LEFT POST NOTED BELOW.



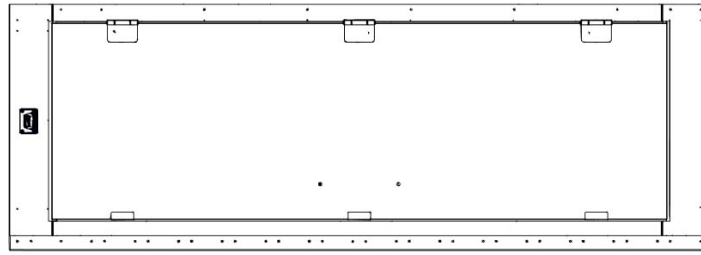
# STEP 13 - WALL ASSEMBLY

QTY	PART NUMBER	DESCRIPTION
16	H101429	SCREW TFH 8X2 SS-BLK

- AFTER ENSURING THE FLOOR FRAMING AND WALLS ARE FLUSH, LEVEL AND SQUARE, SECURE THE FLOOR FRAME TO THE WALL ASSEMBLIES AS SHOWN.

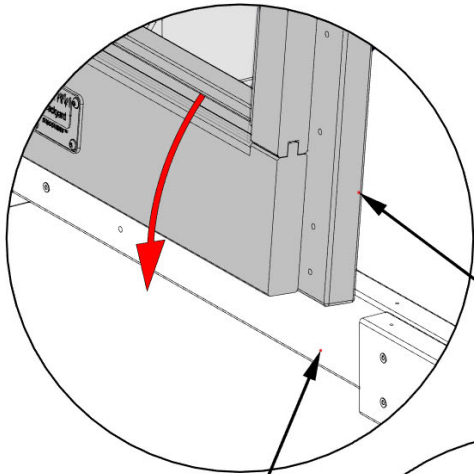


# STEP 14 - WALL ASSEMBLY



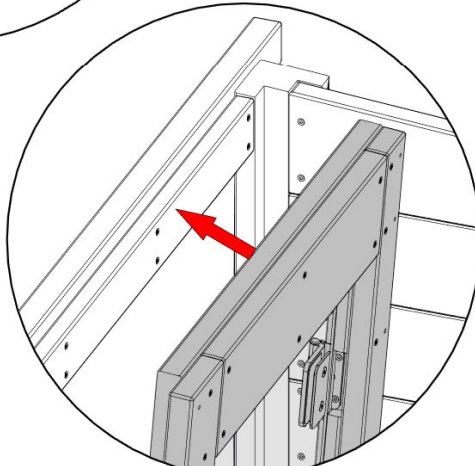
WP01 DOOR WALL PANEL ASSEMBLY - W2A04911  
(x1) 2 3/8"x27 1/4"x77 5/8" (60x692x650)

- BRING DOOR WALL PANEL ASSEMBLY IN FROM THE BACK AND TILT SLIGHTLY WHILE SLIDING DOWN IN BETWEEN NOTCH IN POST AND FLOOR FRAME AS SHOWN.

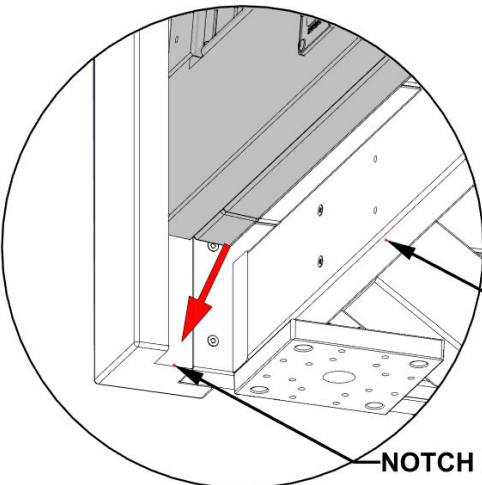


TILT WALL PANEL TO SLIDE IN FRONT OF FLOOR FRAME

FLOOR FRAME

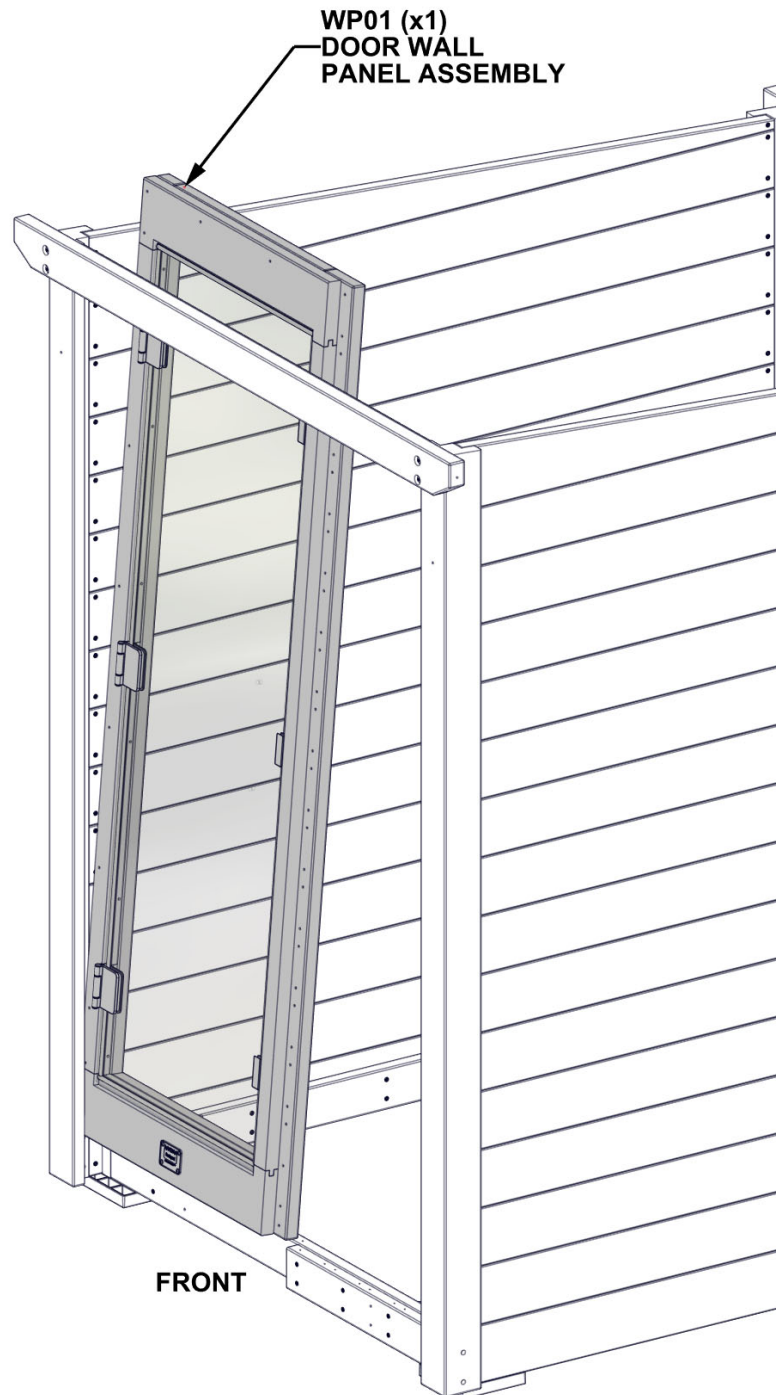


INSIDE VIEW



FLOOR FRAME

NOTCH IN POST



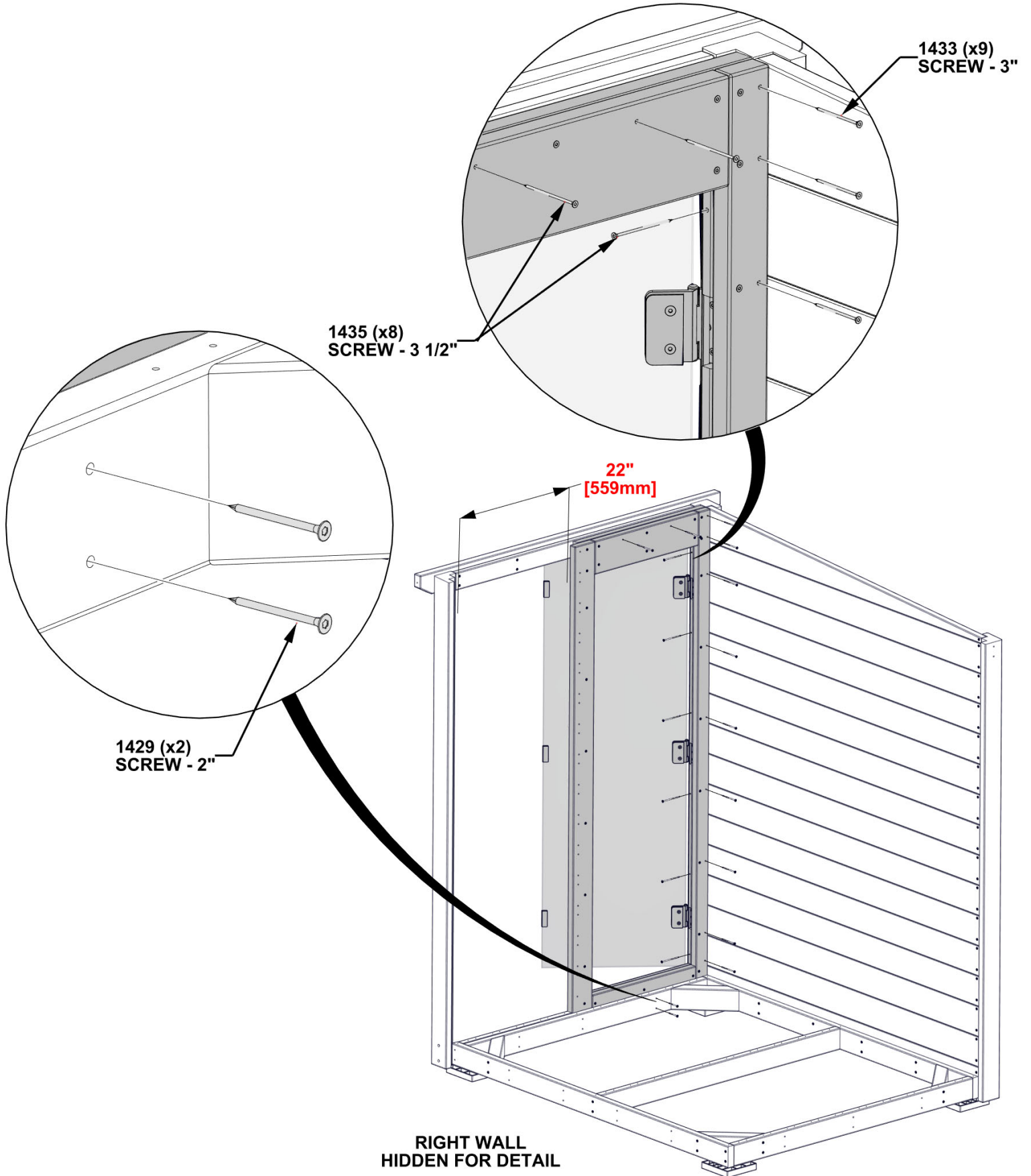
WP01 (x1)  
DOOR WALL  
PANEL ASSEMBLY

FRONT

# STEP 15 - WALL ASSEMBLY

QTY	PART NUMBER	DESCRIPTION
2	H101429	SCREW TFH 8X2 SS-BLK
9	H101433	SCREW TFH 8X3 SS-BLK
8	H101435	SCREW TFH 8X3 1/2 SS-BLK

- IT IS IMPORTANT TO DOUBLE CHECK TO ENSURE THE FLOOR, WALLS AND DOOR WALL PANEL ARE SQUARE AND LEVEL BEFORE ATTACHING THE DOOR WALL PANEL.



# STEP 16 - FRONT WALL ASSEMBLY

QTY	PART NUMBER	DESCRIPTION
29	H101429	SCREW TFH 8X2 SS-BLK
4	H101434	SCREW TFH 8X3 1/4 SS-BLK



OJ05 WALL BOARD - W4L22351  
(x4) 1 3/16"x5 1/4"x24 3/4" (30x134x629)



OJ06 WALL BOARD - W4L22352  
(x1) 1 3/16"x5 1/4"x24 3/4" (30x134x629)



OJ18 WALL BOARD - W4L22395  
(x1) 1 3/16"x5 1/4"x24 3/4" (30x134x629)

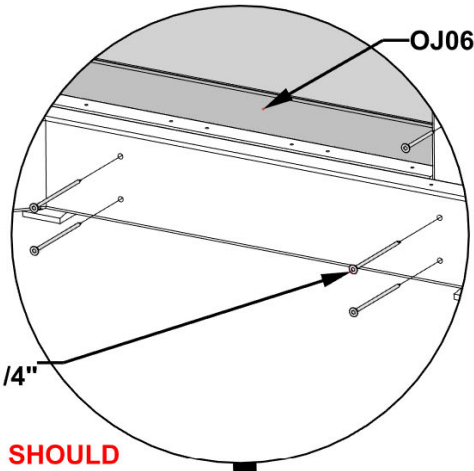
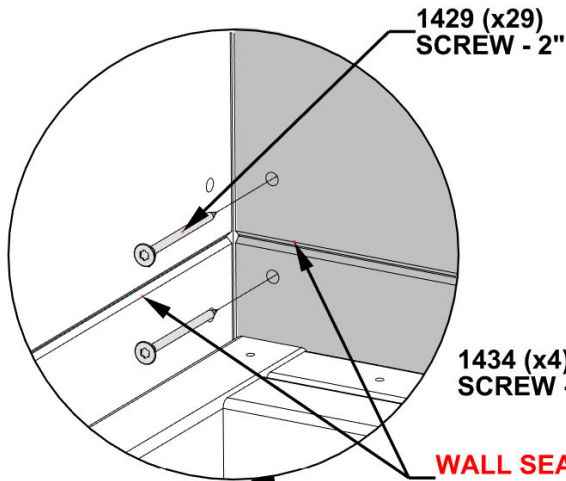


OJ17 WALL BOARD - W4L22394  
(x1) 1 3/16"x5 1/4"x24 3/4" (30x134x629)



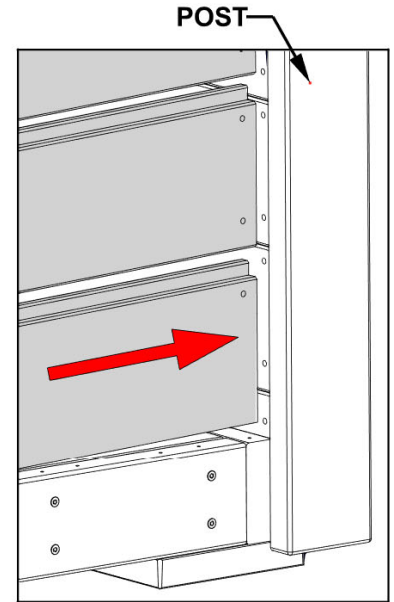
WB01 WALL BOARD ASSEMBLY - W2A04921  
(x1) 1 3/16"x5 1/4"x24 3/4" (30x134x629)

- SLIDE OJ06 BETWEEN FLOOR FRAME AND POST.
- OJ06 IS TO BE FLUSH WITH BOTTOM OF FLOOR FRAME AND DOOR WALL PANEL AND LEVEL.
- ATTACH OJ06 AS SHOWN.
- STACK OTHER WALL BOARDS ON TOP AS SHOWN ENSURING CORRECT PLACEMENT OF BOARDS.
- ALIGN THROUGH HOLES IN DOOR WALL PANEL ASSEMBLY WITH PILOT HOLES IN WALL BOARDS AND ATTACH.

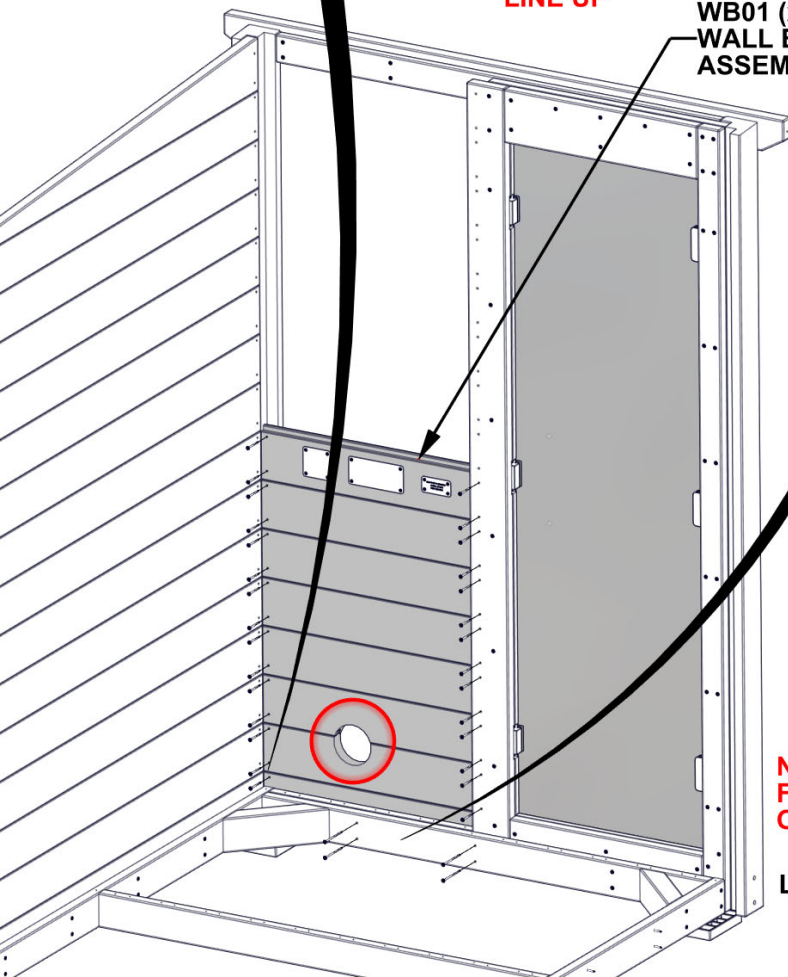


**WALL SEAMS SHOULD  
LINE UP**

WB01 (x1)  
WALL BOARD  
ASSEMBLY



OUTSIDE VIEW



DOOR WALL PANEL  
ASSEMBLY

**NOTE THROUGH HOLE  
FOR PROPER PLACEMENT  
OF WALL BOARDS.**

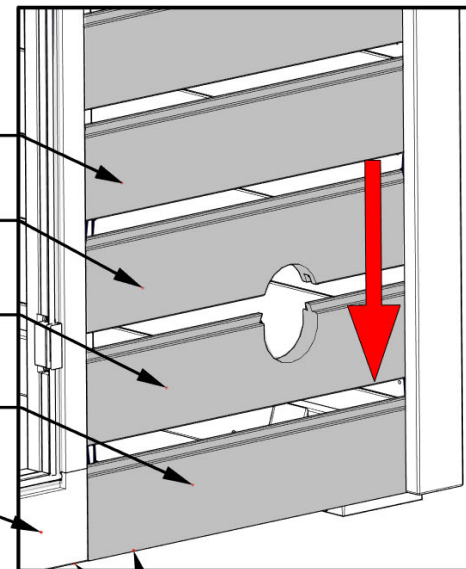
LEFT WALL ASSEMBLY  
HIDDEN FOR DETAIL

OJ05 (x4)  
WALL BOARD

OJ18 (x1)  
WALL BOARD

OJ17 (x1)  
WALL BOARD

OJ06 (x1)  
WALL BOARD



OUTSIDE VIEW

**FLUSH**

# STEP 17 - FRONT WALL ASSEMBLY

QTY	PART NUMBER	DESCRIPTION
32	H101429	SCREW TFH 8X2 SS-BLK



OJ05 WALL BOARD - W4L22351  
(x6) 1 3/16"x5 1/4"x24 3/4" (30x134x629)

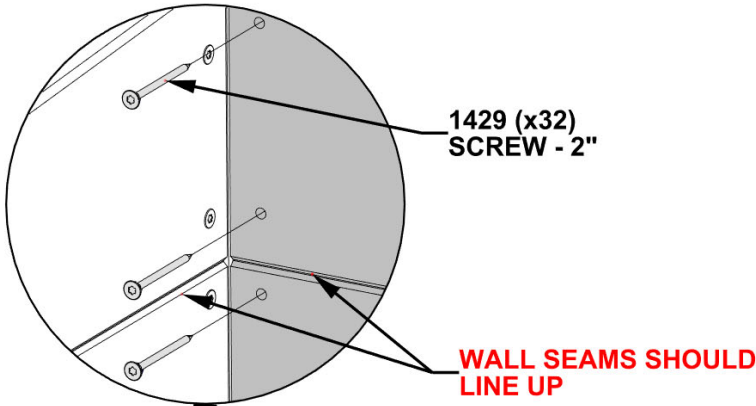


OJ07 WALL BOARD - W4L22353  
(x1) 1 3/16"x5 1/4"x24 3/4" (30x134x629)



OJ21 WALL BOARD - W4L22408  
(x1) 1 3/16"x5 1/4"x24 3/4" (30x134x629)

- STACK REMAINING WALL BOARDS AS SHOWN. NOTE THRU HOLE PLACEMENT.
- ALIGN THROUGH HOLES IN DOOR WALL PANEL ASSEMBLY WITH PILOT HOLES IN WALL BOARDS AND ATTACH.
- THE LAST WALL BOARD OJ07 WILL NEED TO SLIDE IN FROM THE TOP OF THE DOOR WALL PANEL ASSEMBLY.



1429 (x32)  
SCREW - 2"

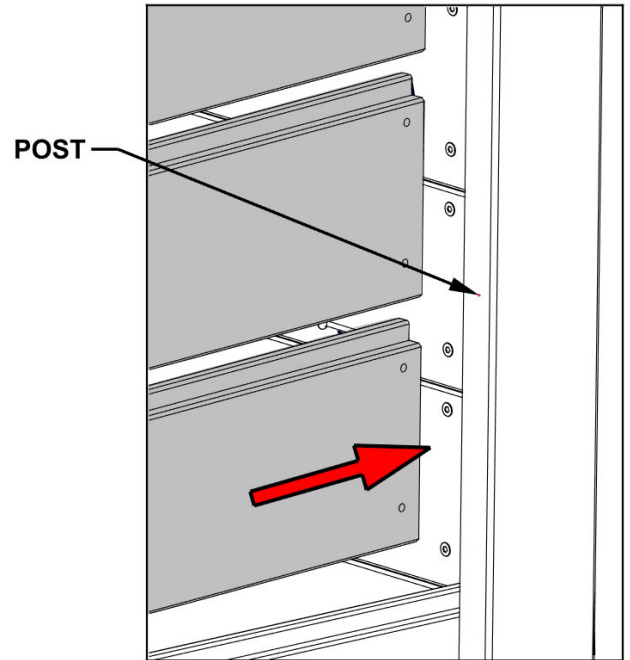
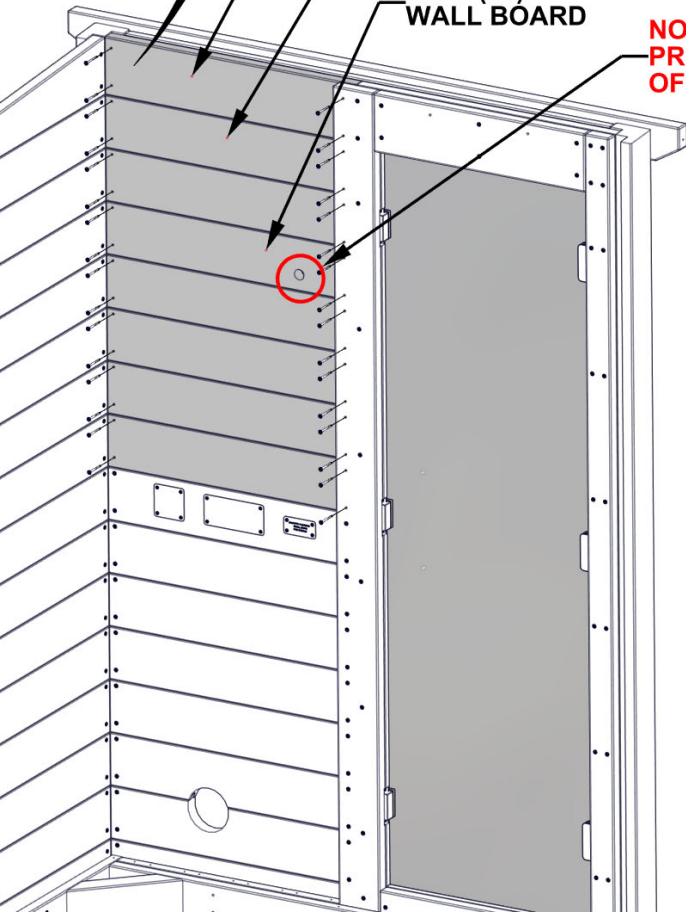
**WALL SEAMS SHOULD  
LINE UP**

OJ07 (x1)  
WALL BOARD

OJ05 (x6)  
WALL BOARD

OJ21 (x1)  
WALL BOARD

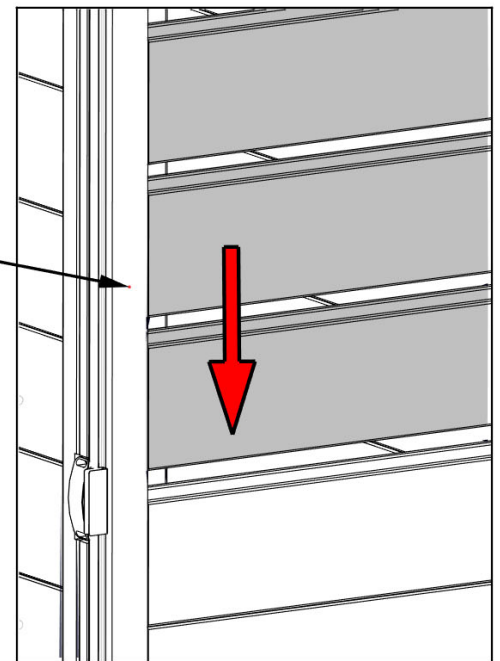
**NOTE THRU HOLE FOR  
PROPER PLACEMENT  
OF WALL BOARD**



POST

OUTSIDE VIEW

DOOR WALL PANEL  
ASSEMBLY



OUTSIDE VIEW

# STEP 18 - BACK WALL ASSEMBLY

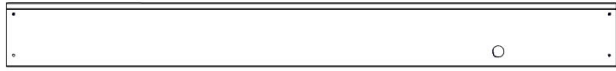
QTY	PART NUMBER	DESCRIPTION
14	H101429	SCREW TFH 8X2 SS-BLK



OJ03 WALL BOARD - W4L22349  
(x1) 1 3/16"x5 1/4"x50 3/8" (30x134x1280)



OJ04 WALL BOARD - W4L22350  
(x1) 1 3/16"x5 1/4"x50 3/8" (30x134x1280)

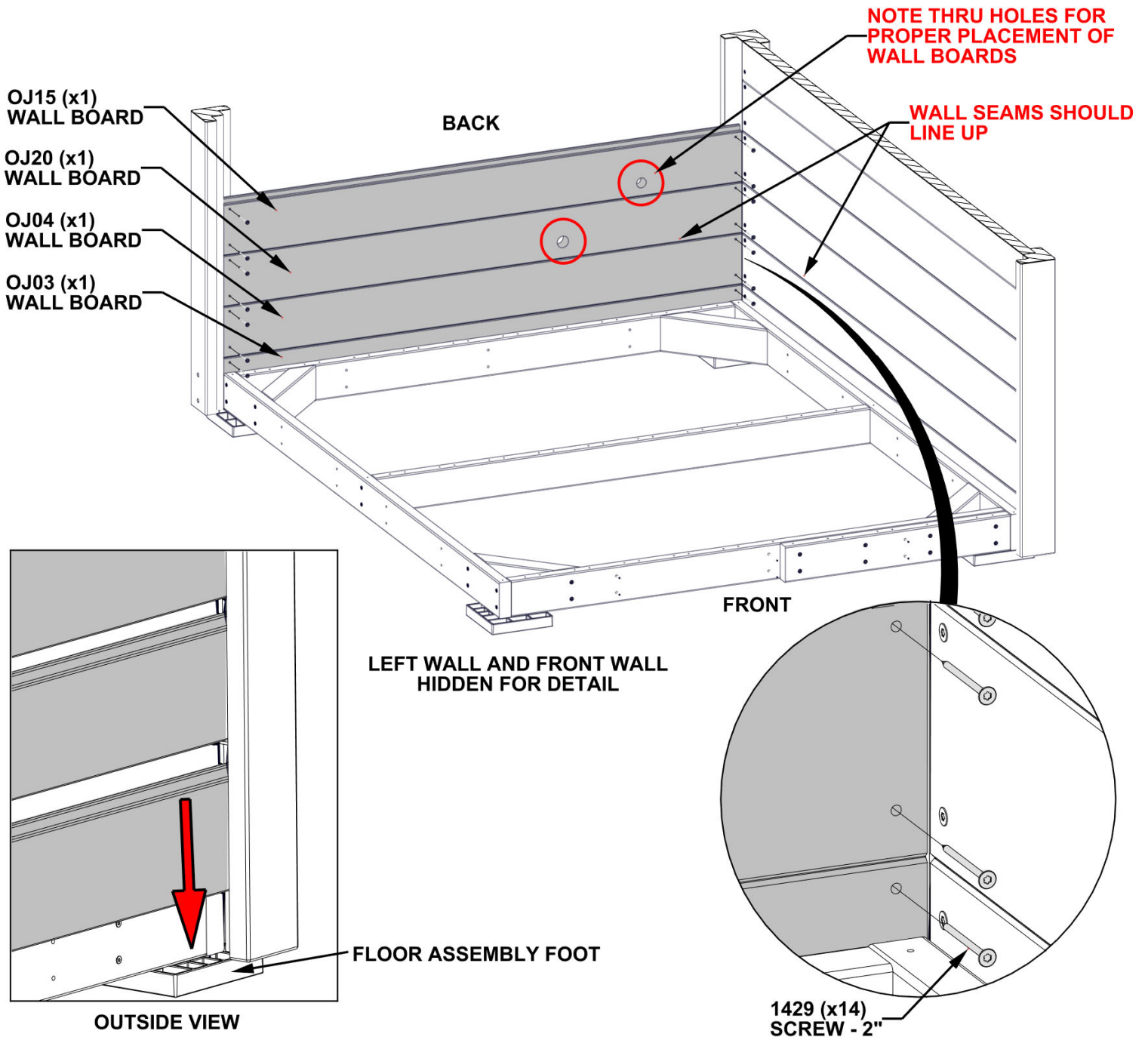


OJ15 WALL BOARD - W4L22390  
(x1) 1 3/16"x5 1/4"x50 3/8" (30x134x1280)



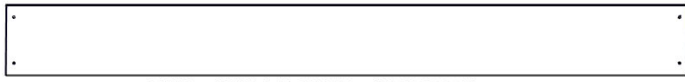
OJ20 WALL BOARD - W4L22397  
(x1) 1 3/16"x5 1/4"x50 3/8" (30x134x1280)

- SLIDE OJ03 BETWEEN FLOOR FRAME AND POSTS UNTIL IT REST ON TOP OF FLOOR ASSEMBLY FOOT.
- ENSURE OJ03 IS FLUSH WITH BOTTOM OF FLOOR FRAME AND LEVEL.
- FASTEN AS SHOWN.
- STACK OTHER WALL BOARDS ON TOP AS SHOWN.



# STEP 19 - BACK WALL ASSEMBLY

QTY	PART NUMBER	DESCRIPTION
50	H101429	SCREW TFH 8X2 SS-BLK



OJ08 WALL BOARD - W4L22354  
(x1) 1 3/16"x5 1/4"x50 3/8" (30x134x1280)

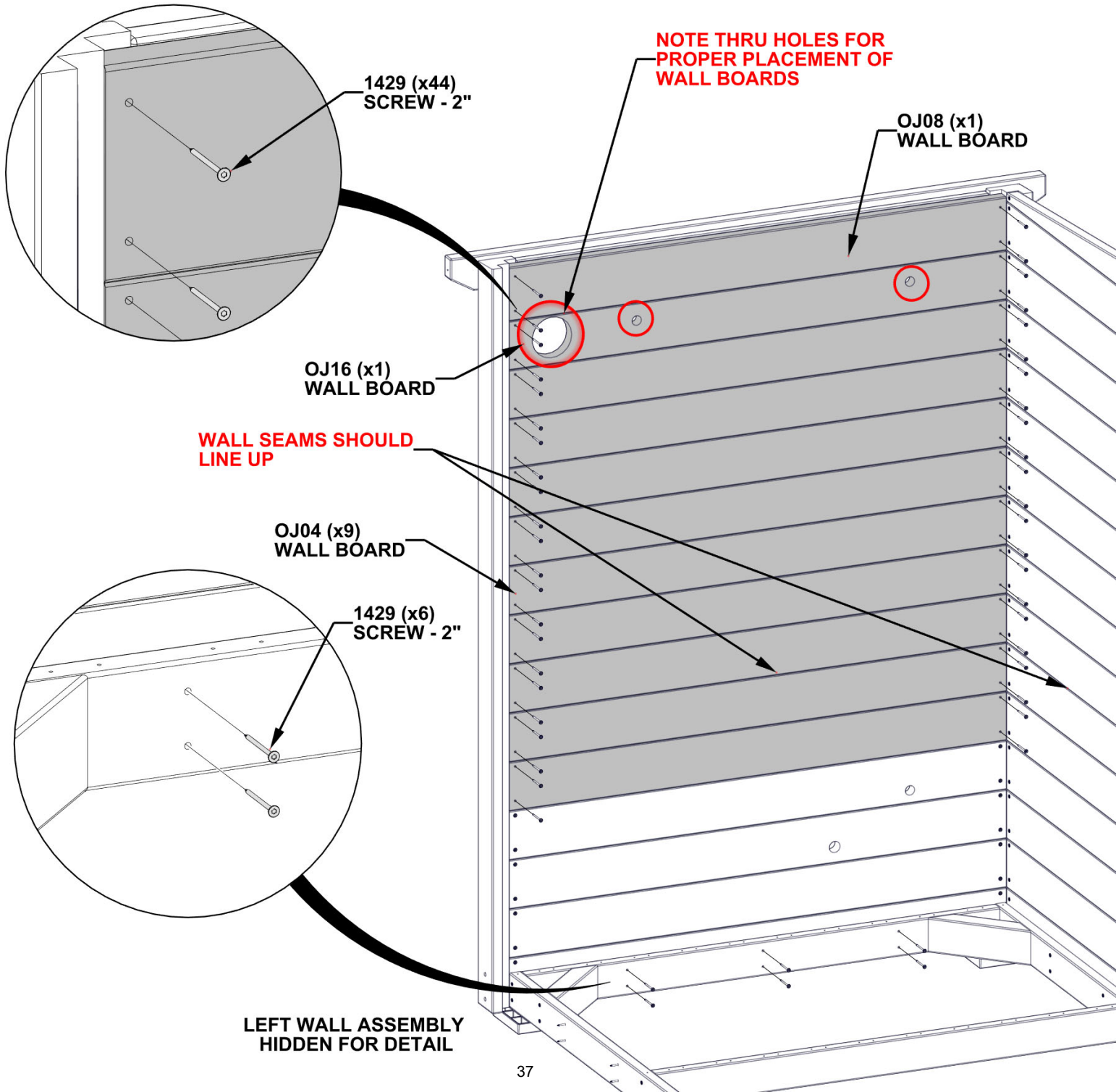


OJ04 WALL BOARD - W4L22350  
(x9) 1 3/16"x5 1/4"x50 3/8" (30x134x1280)



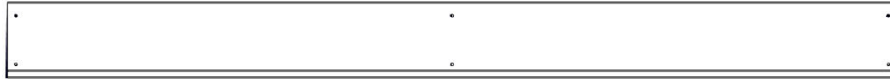
OJ16 WALL BOARD - W4L22392  
(x1) 1 3/16"x5 1/4"x50 3/8" (30x134x1280)

- EVENLY SPACE REMAINING WALL BOARDS AS SHOWN. NOTE THRU HOLE PLACEMENT.



# STEP 20 - FLOOR ASSEMBLY

QTY	PART NUMBER	DESCRIPTION
30	H101429	SCREW TFH 8X2 SS-BLK

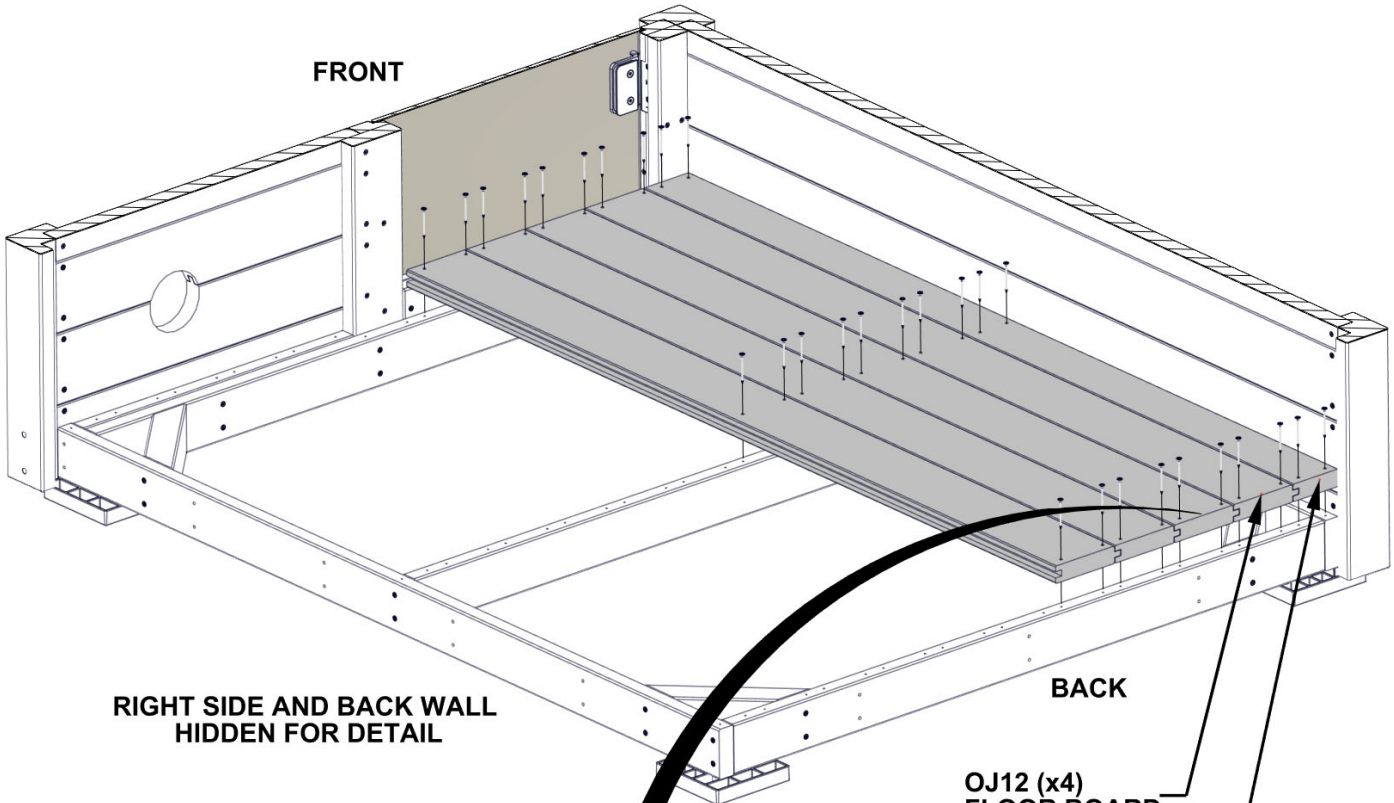


OJ12 FLOOR BOARD - W4L22376  
(x4) 1 3/16"x5 1/4"x61 7/8" (30x134x1572)



OS02 FLOOR BOARD - W4L22375  
(x1) 1 3/16"x3 11/16"x61 7/8" (30x94x1572)

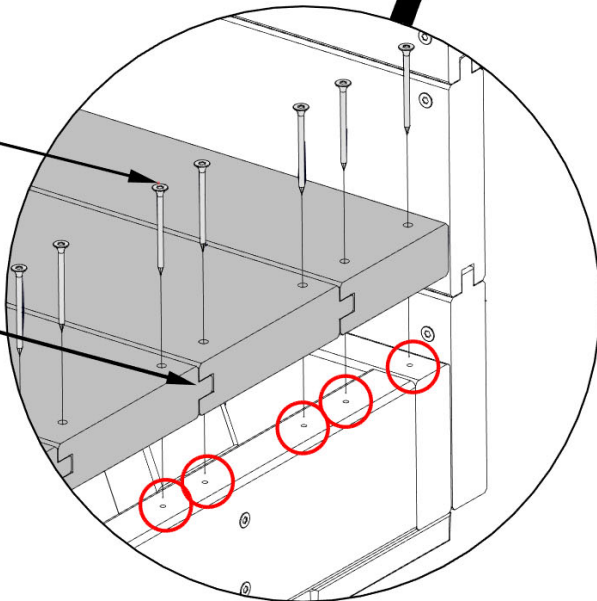
- EVENLY SPACE FLOOR BOARDS.
- ALIGN HOLES IN FLOOR BOARDS WITH PILOT HOLES IN FLOOR FRAME AND ATTACH AS SHOWN.



OJ12 (x4)  
FLOOR BOARD  
OS02 (x1)  
FLOOR BOARD

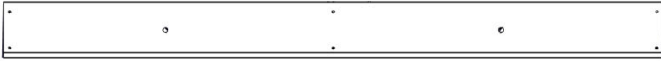
1429 (x30)  
SCREW - 2"

**NOTE NOTCH  
DIRECTION**

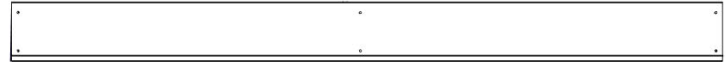


# STEP 21 - FLOOR ASSEMBLY

QTY	PART NUMBER	DESCRIPTION
36	H101429	SCREW TFH 8X2 SS-BLK



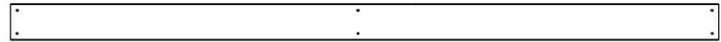
OJ14 FLOOR BOARD - W4L22379  
(x1) 1 3/16"x5 1/4"x61 7/8" (30x134x1572)



OJ11 FLOOR BOARD - W4L22374  
(x3) 1 3/16"x5 1/4"x63 1/16" (30x134x1602)

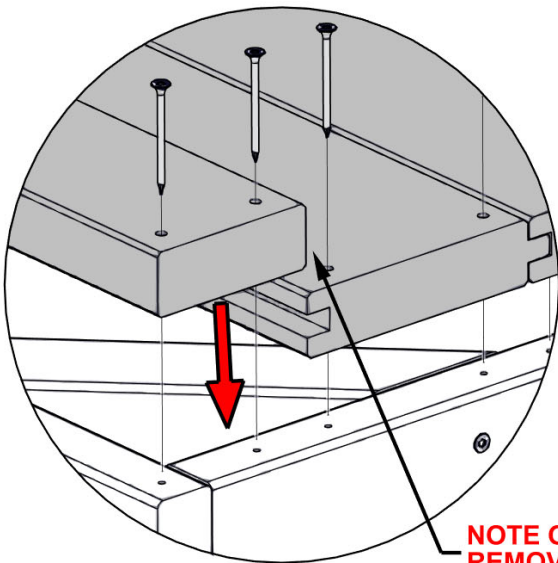
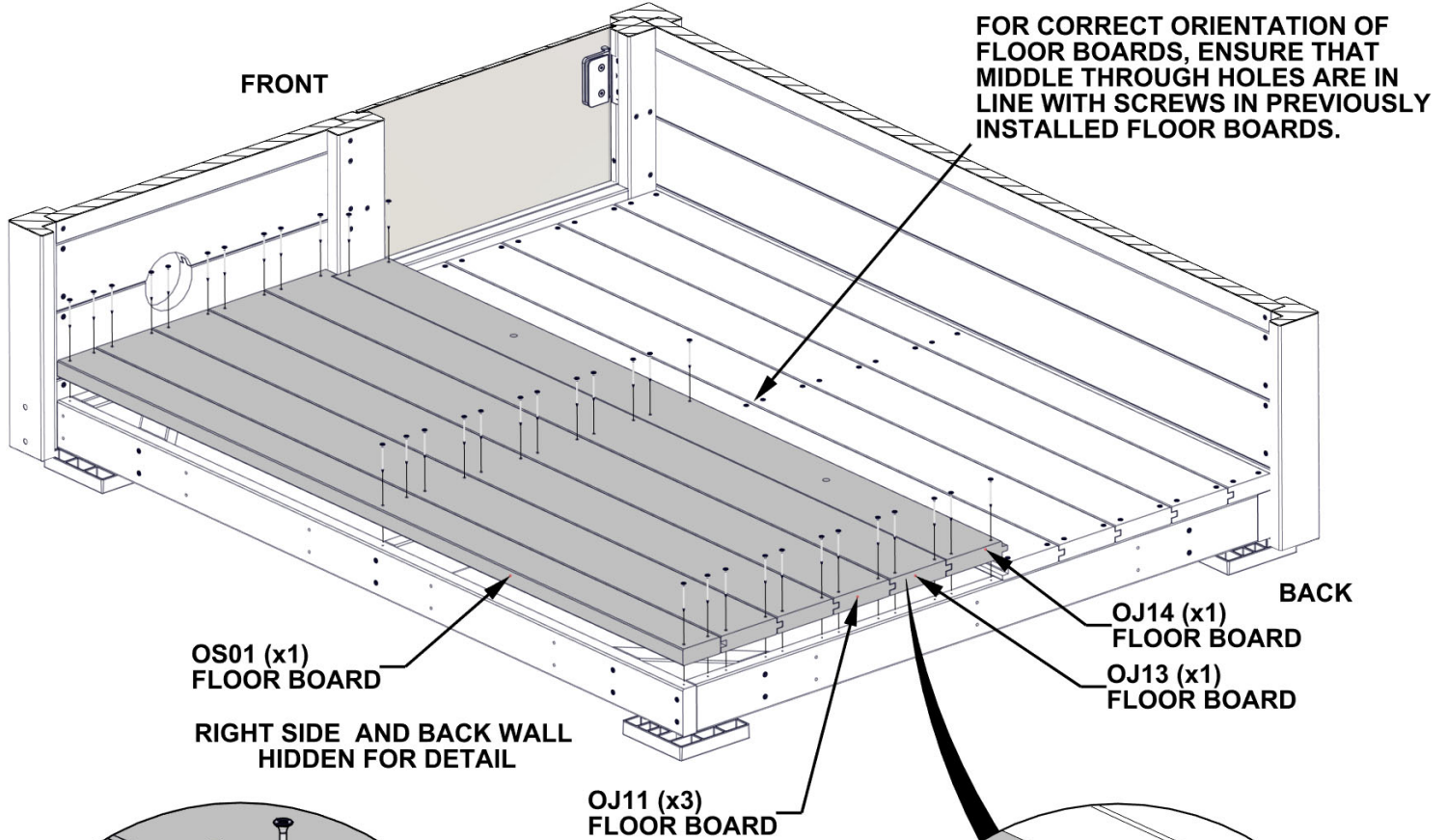


OJ13 FLOOR BOARD - W4L22377  
(x1) 1 3/16"x5 1/4"x63 1/16" (30x134x1602)

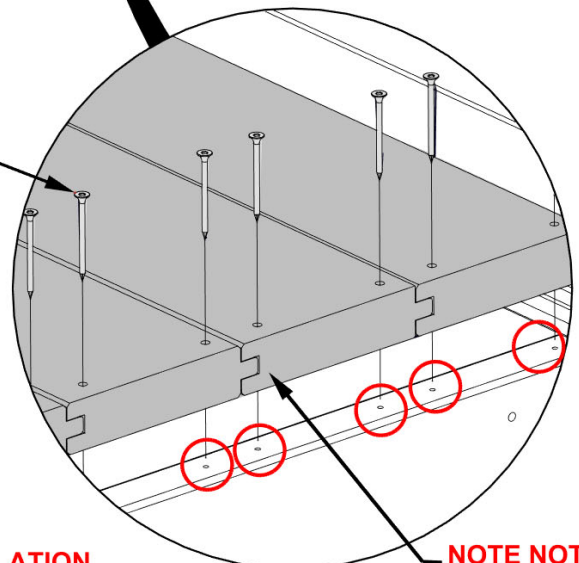


OS01 FLOOR BOARD - W4L22364  
(x1) 1 3/16"x3 1/4"x63 1/16" (30x82x1602)

- EVENLY SPACE FLOOR BOARDS.
- ALIGN HOLES IN FLOOR BOARDS WITH PILOT HOLES IN FLOOR FRAME AND ATTACH AS SHOWN.



**NOTE OS01 HAS THE TONGUE REMOVED FOR EASE OF INSTALLATION. SLIDE OS01 BOARD AND POSITION IT AGAINST OJ11 BOARD AND ATTACH AS SHOWN.**



**NOTE NOTCH DIRECTION**

# STEP 22 - FLOOR ASSEMBLY

QTY	PART NUMBER	DESCRIPTION
9	H101429	SCREW TFH 8X2 SS-BLK

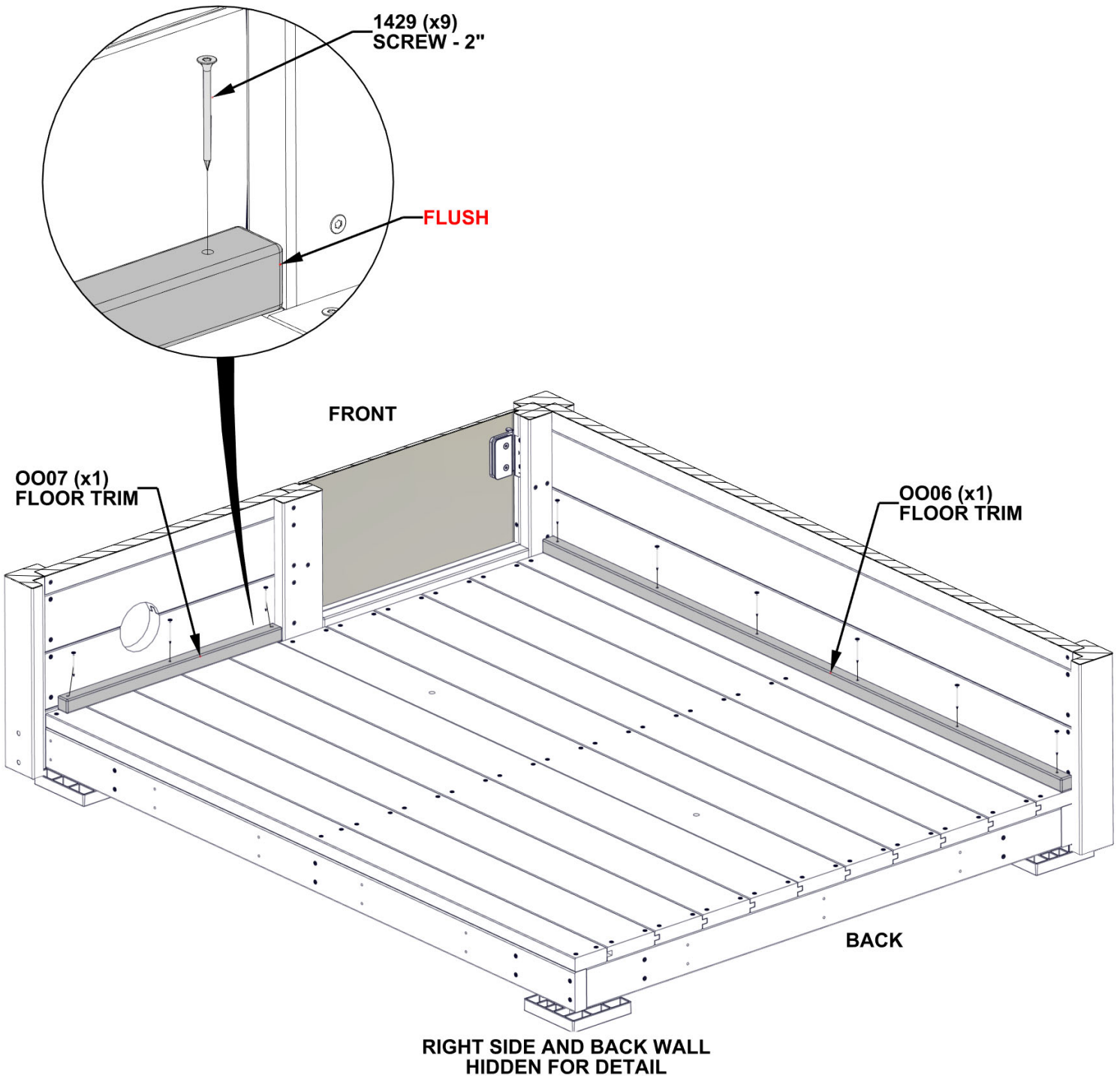


OO06 FLOOR TRIM - W4L22373  
(x1) 1 3/16"x1 3/16"x61 7/8" (30x30x1572)



OO07 FLOOR TRIM - W4L22378  
(x1) 1 3/16"x1 3/16"x21 13/16" (30x30x554)

- PRESS FLOOR TRIM AGAINST WALLS AND ATTACH AS SHOWN.



# STEP 23 - FLOOR ASSEMBLY

QTY	PART NUMBER	DESCRIPTION
11	H101429	SCREW TFH 8X2 SS-BLK

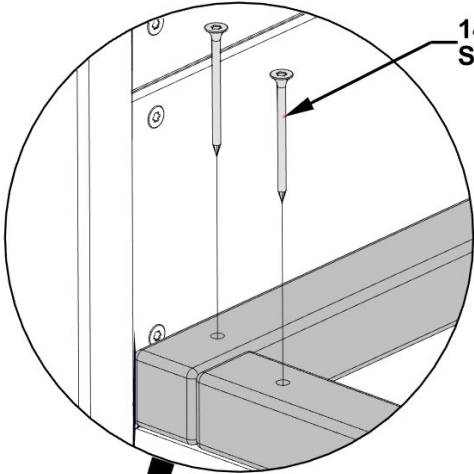


OO02 FLOOR TRIM - W4L22365  
(x1) 1 3/16"x1 3/16"x63 1/16" (30x30x1602)

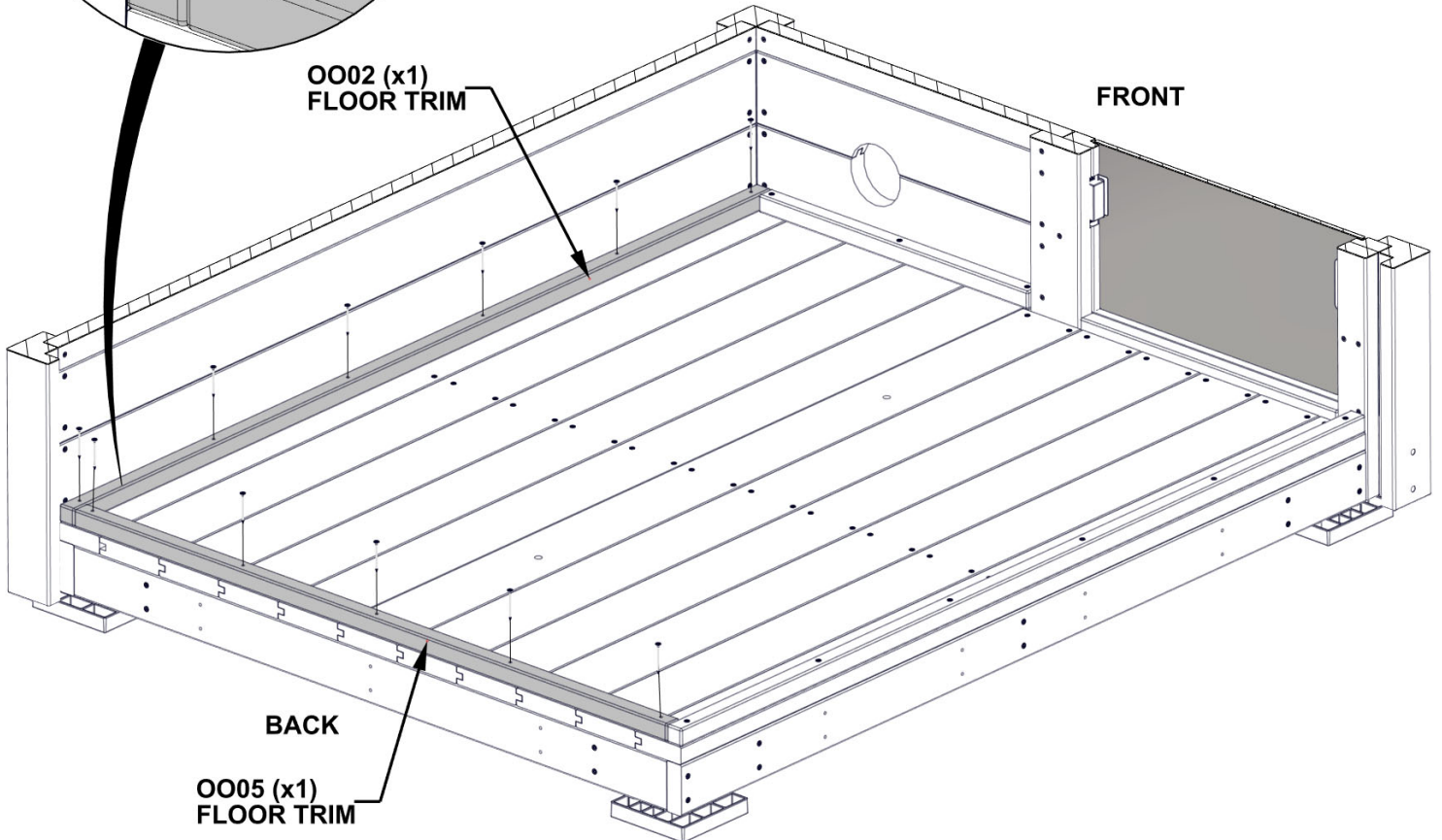


OO05 FLOOR TRIM - W4L22366  
(x1) 1 3/16"x1 3/16"x48 1/16" (30x30x1220)

- PRESS FLOOR TRIM AGAINST WALLS AND ATTACH AS SHOWN.



1429 (x11)  
SCREW - 2"



OO02 (x1)  
FLOOR TRIM

FRONT

BACK

OO05 (x1)  
FLOOR TRIM

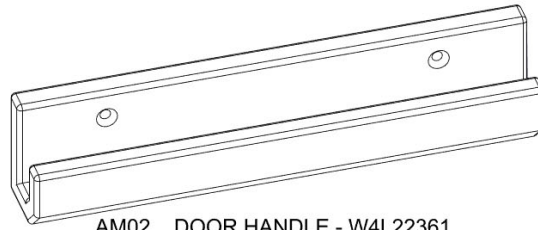
LEFT SIDE AND BACK WALL  
HIDDEN FOR DETAIL

# STEP 24 - HANDLE ASSEMBLY

QTY	PART NUMBER	DESCRIPTION
2	H101402	SCREW TFH 1/4-20 X 1 5/8 SS
4	H101403	POLY WASHER

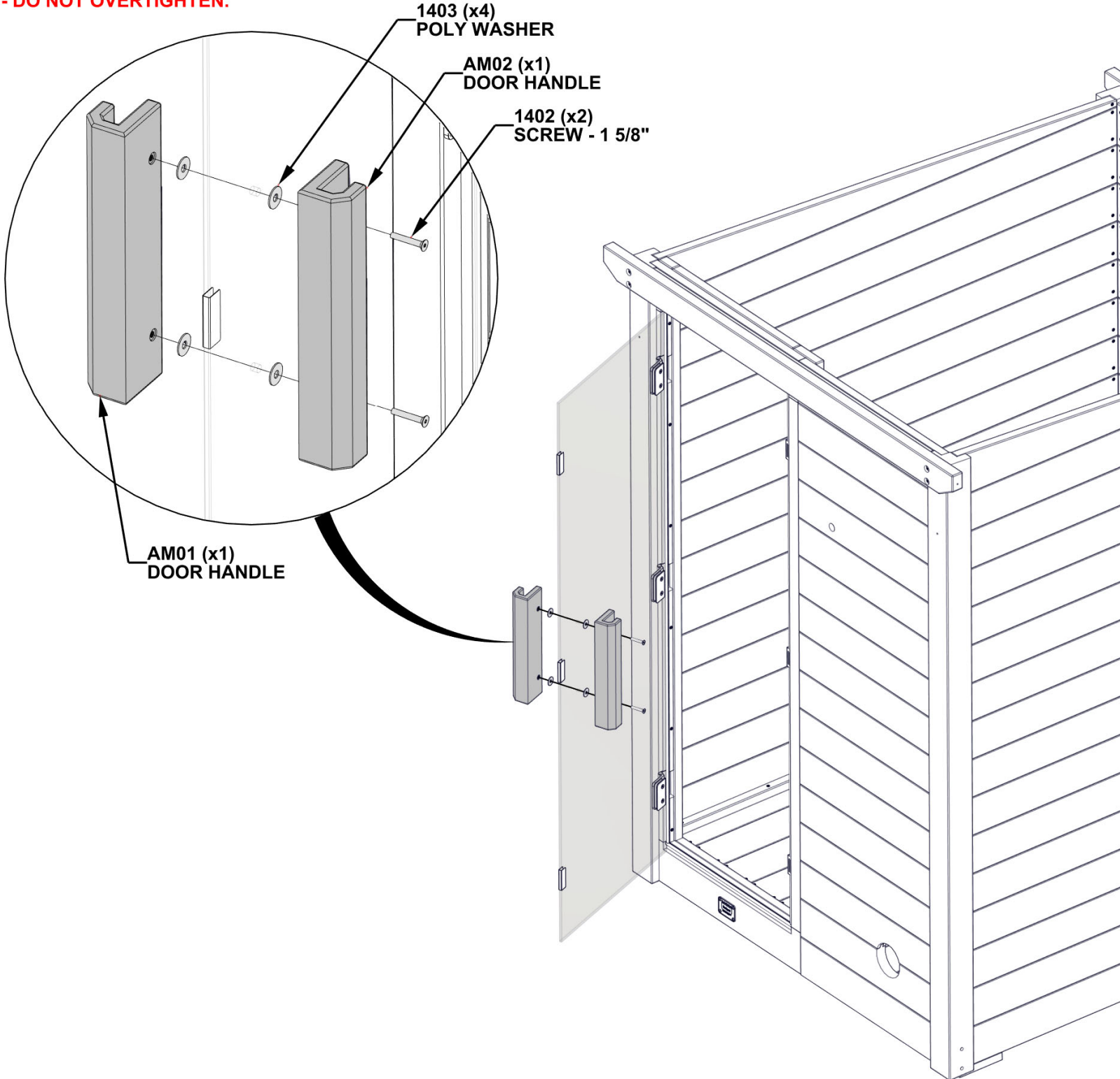


AM01 DOOR HANDLE - W2A04917  
(x1) 2 1/4"x3"x13 5/16" (57x76x338)



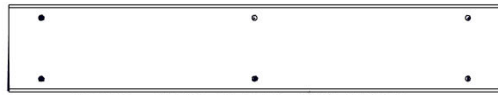
AM02 DOOR HANDLE - W4L22361  
(x1) 2 1/4"x3"x13 5/16" (57x76x338)

- ATTACH DOOR HANDLES AS SHOWN.  
- DO NOT OVERTIGHTEN.

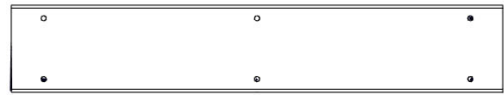


# STEP 25 - BENCH ASSEMBLY

QTY	PART NUMBER	DESCRIPTION
17	H101429	SCREW TFH 8X2 SS-BLK



OG08 SEAT CLEAT - W4L22384  
(x1) 1 3/16"x3 3/8"x19 1/8" (30x86x486)



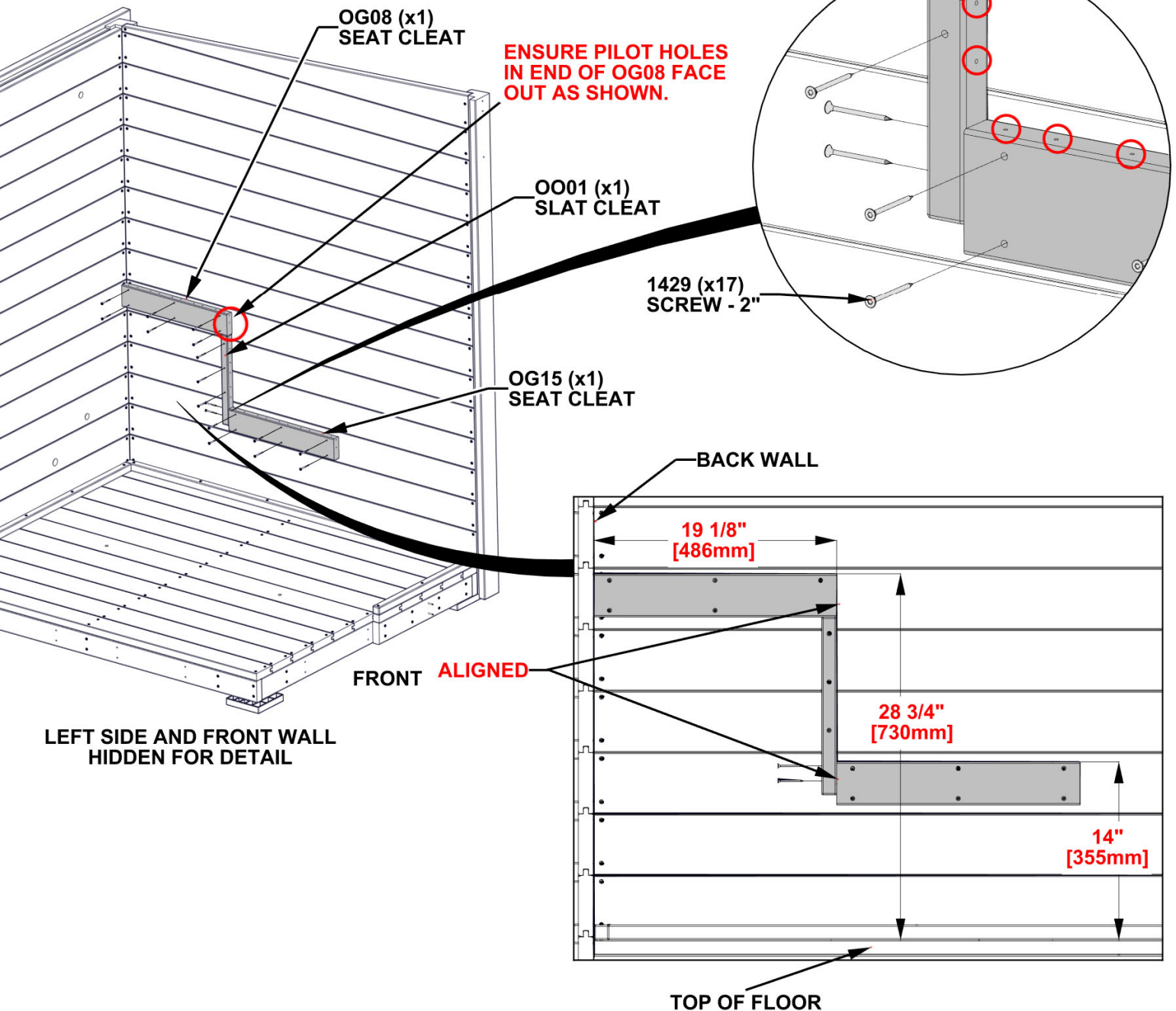
OG15 SEAT CLEAT - W4L22407  
(x1) 1 3/16"x3 3/8"x19 1/8" (30x86x486)



OO01 SLAT CLEAT - W4L22404  
(x1) 1 3/16"x1 3/16"x14" (30x30x355)

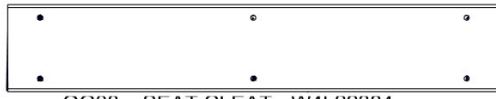
- NOTE PILOT HOLES TO BE POSITIONED ON THE TOP SIDE.
- FLUSH END OF OG08 AGAINST BACK WALL.
- ENSURE BOARDS ARE LEVEL AND THEN ATTACH AS SHOWN.

**NOTE HOLE LOCATIONS FOR  
CORRECT BOARD ORIENTATION**

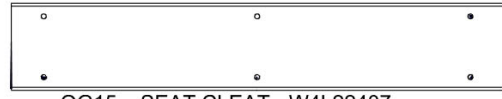


# STEP 26 - BENCH ASSEMBLY

QTY	PART NUMBER	DESCRIPTION
17	H101429	SCREW TFH 8X2 SS-BLK



OG08 SEAT CLEAT - W4L22384  
(x1) 1 3/16"x3 3/8"x19 1/8" (30x86x486)

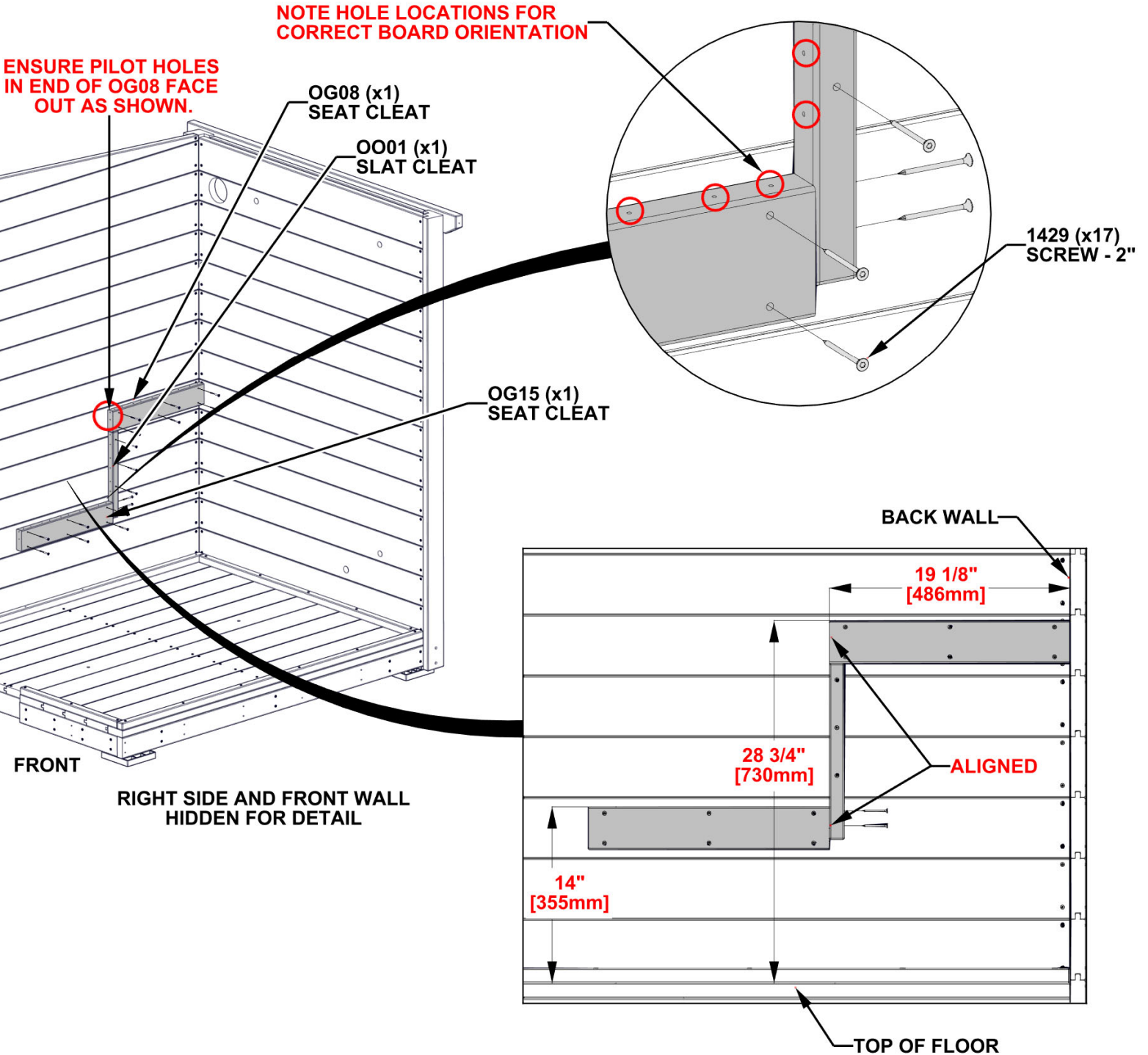


OG15 SEAT CLEAT - W4L22407  
(x1) 1 3/16"x3 3/8"x19 1/8" (30x86x486)



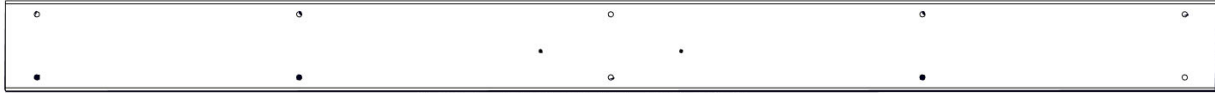
OO01 SLAT CLEAT - W4L22404  
(x1) 1 3/16"x1 3/16"x14" (30x30x355)

- NOTE PILOT HOLES TO BE POSITIONED ON THE TOP SIDE.
- FLUSH END OF OG08 AGAINST BACK WALL.
- ENSURE BOARDS ARE LEVEL AND THEN ATTACH AS SHOWN.



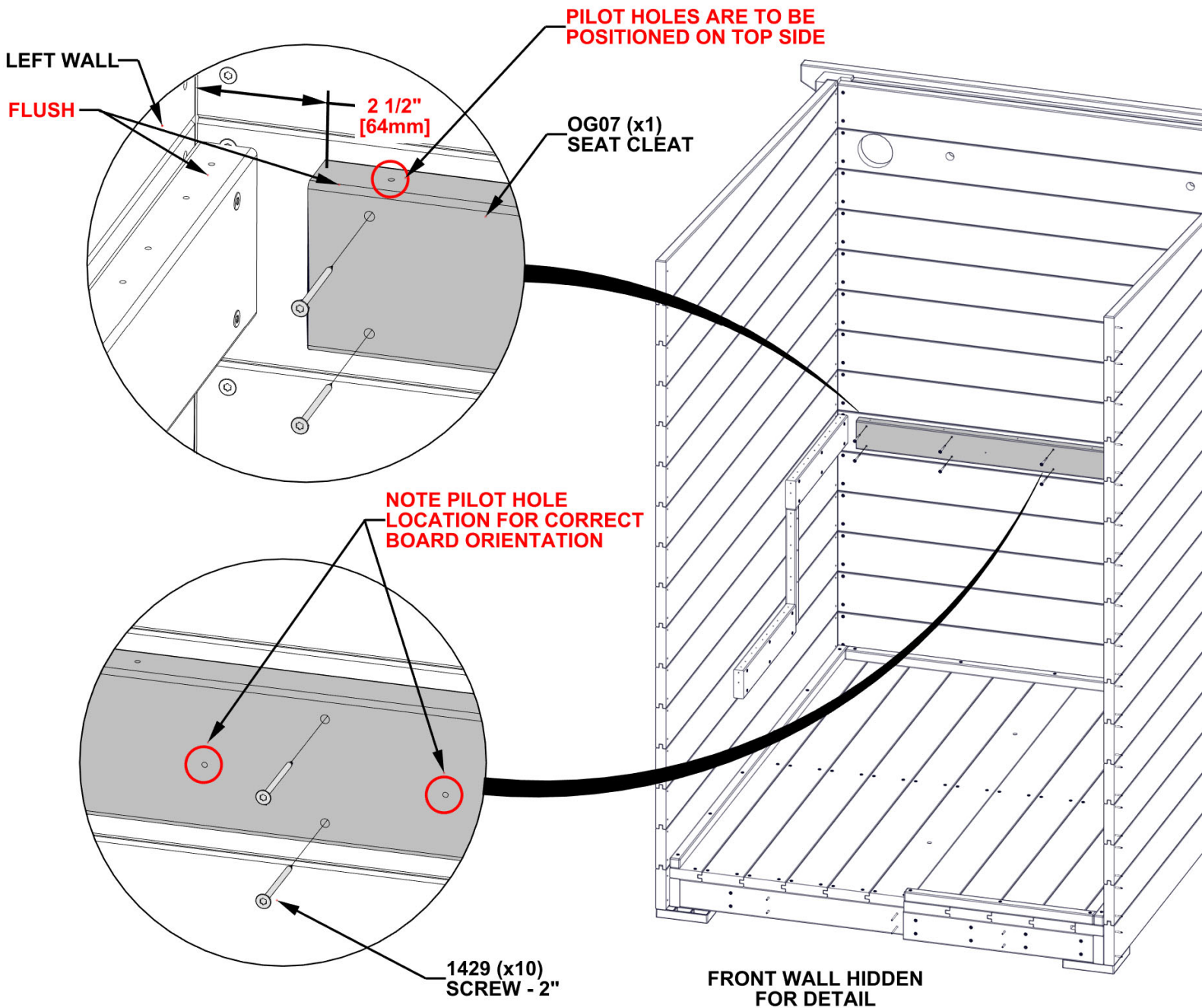
# STEP 27 - BENCH ASSEMBLY

QTY	PART NUMBER	DESCRIPTION
10	H101429	SCREW TFH 8X2 SS-BLK



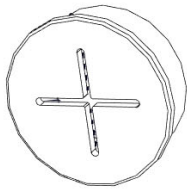
OG07 SEAT CLEAT - W4L22382  
(x1) 1 3/16"x3 3/8"x45 7/16" (30x86x1154)

- CLEAT SHOULD BE CENTERED ON THE BACK WALL.
- ENSURE TOP OF SEAT CLEAT ARE FLUSH WITH CLEATS ON SIDE WALLS.
- USE DIMENSIONS SHOWN TO LOCATE WALL CLEAT.
- MEASUREMENT SHOWN IS TAKEN FROM INSIDE THE WALL.
- ATTACH AS SHOWN.



# STEP 28 - ELECTRICAL

QTY	PART NUMBER	DESCRIPTION
2	H101409	SCREW PPH 4x1/2 BLK



A6P01468 30mm SILCONE GROMMET (x1)

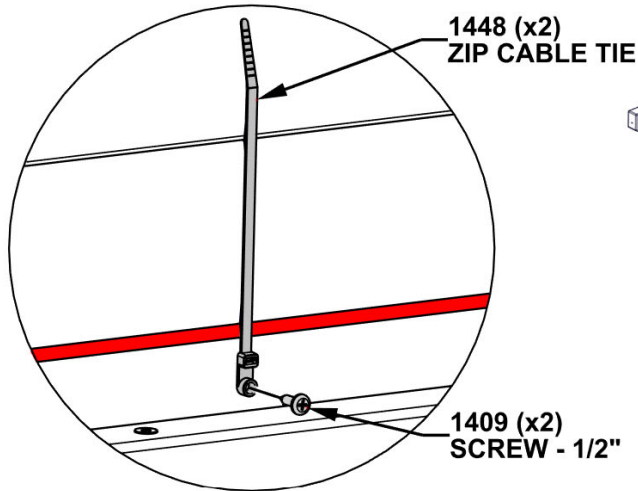


A6P01543 SAUNA POWER WIRE (x1)

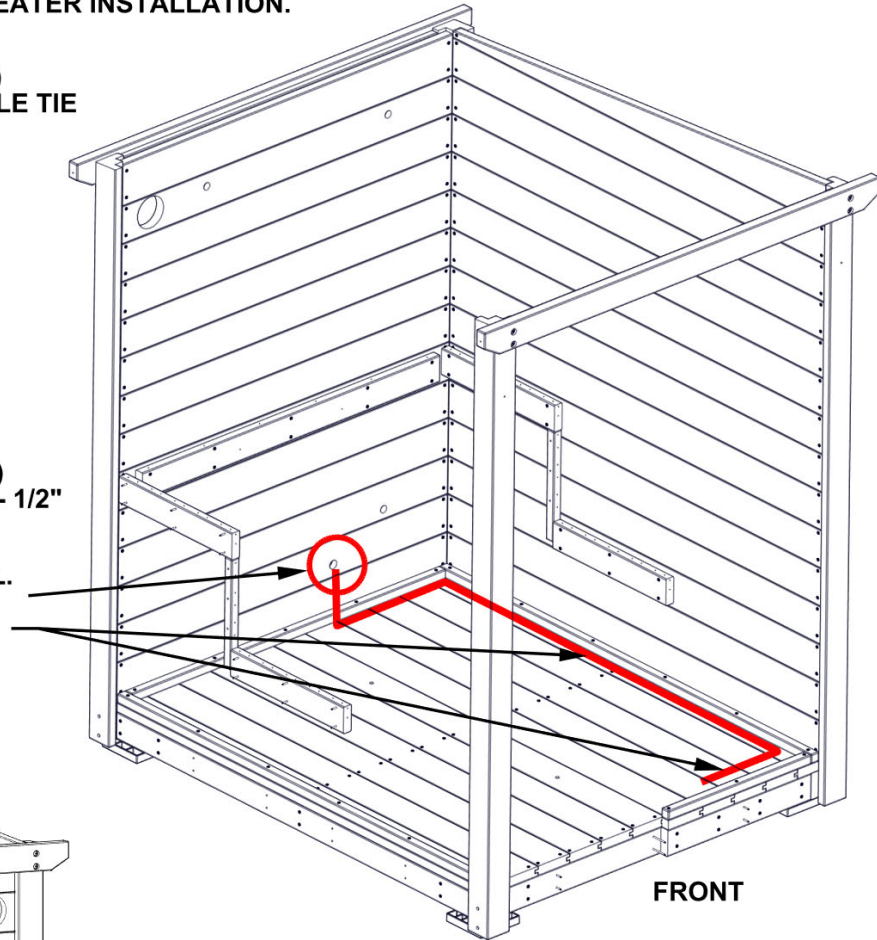


A6P01448 ZIP CABLE TIE (x2)

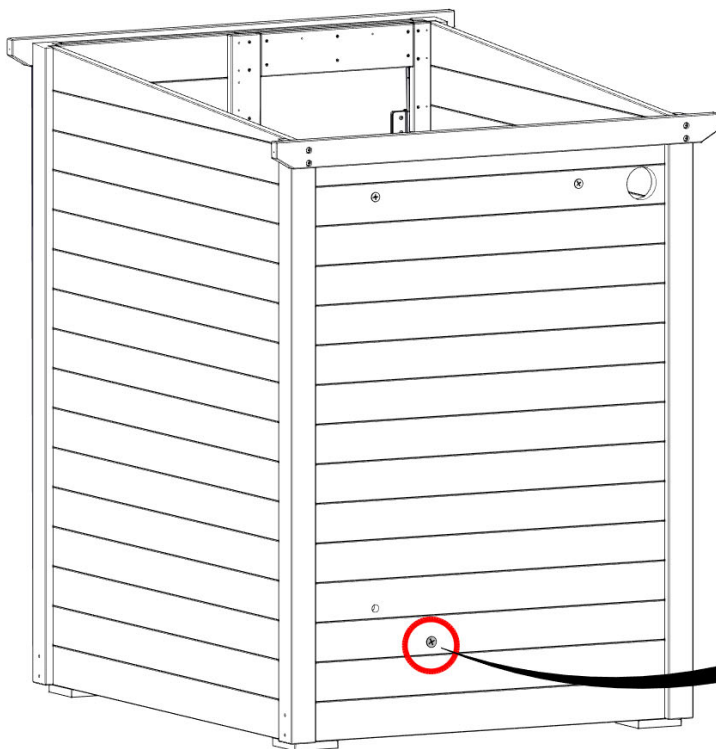
- USE PROVIDED GROMMET FOR POWER WIRE.
- WILL NEED TO REMOVE CONDUIT FITTING TO FEED SAUNA POWER WIRE THROUGH GROMMET.
- RUN SAUNA POWER WIRE AS SHOWN IN DETAIL BELOW.
- NOTE: LICENSED ELECTRICIAN IS REQUIRED FOR HEATER INSTALLATION.



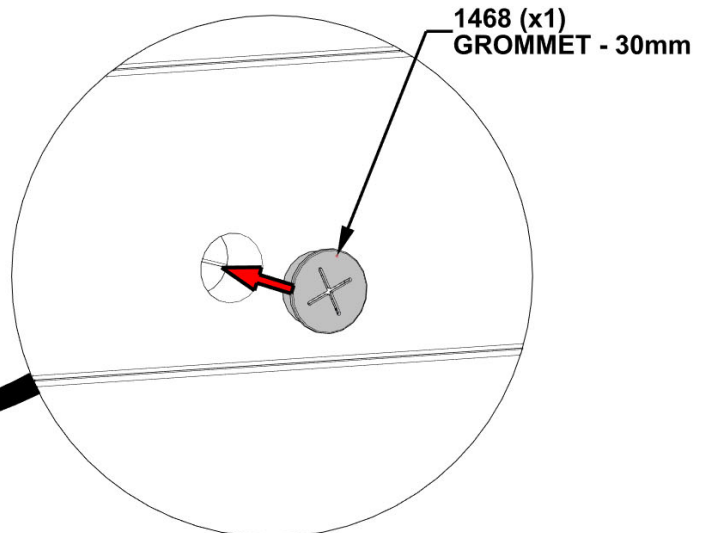
RUN SAUNA POWER WIRE ALONG WALL. ATTACH WITH PROVIDED ZIP TIES AS SHOWN, LEAVING APPROXIMATELY 18" [457mm] FROM THE SIDEWALL FOR HEATER.



FRONT



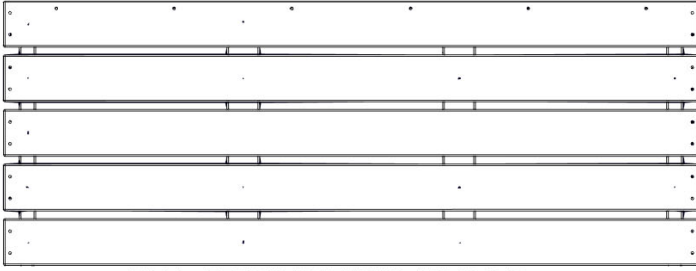
BACK



1468 (x1) GROMMET - 30mm

# STEP 29 - BENCH ASSEMBLY

QTY	PART NUMBER	DESCRIPTION
4	H101431	SCREW TFH 8X2 1/2 SS-BLK
8	H101443	SCREW TWH 8x1 1/2 SS-BLK



BA01 BENCH ASSEMBLY - W2A04918  
(x1) 1 15/16"x19 1/8"x50 1/4" (50x486x1276)

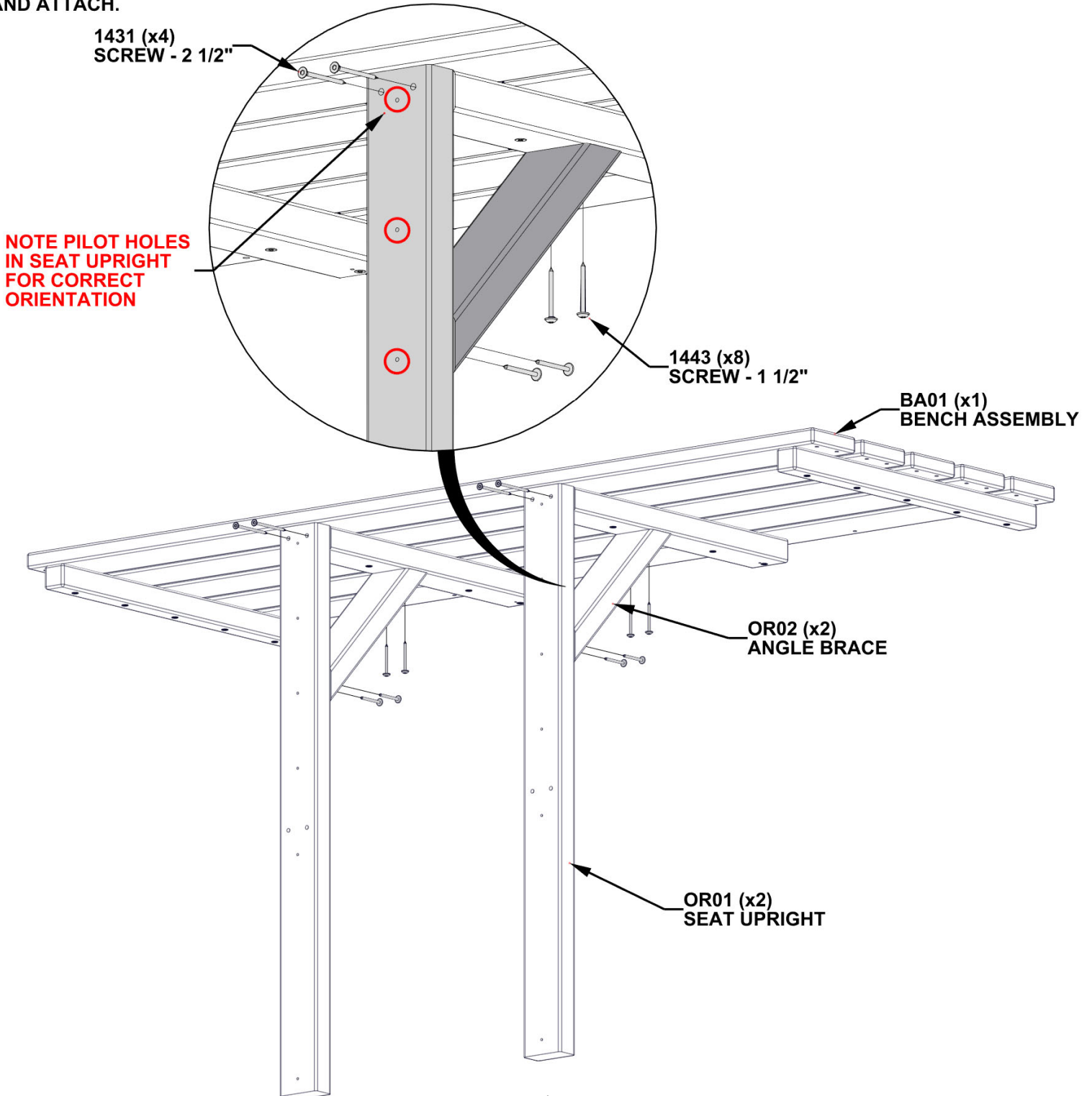


OR01 SEAT UPRIGHT - W4L22406  
(x2) 1 3/16"x2 3/8"x28 3/4" (30x60x730)



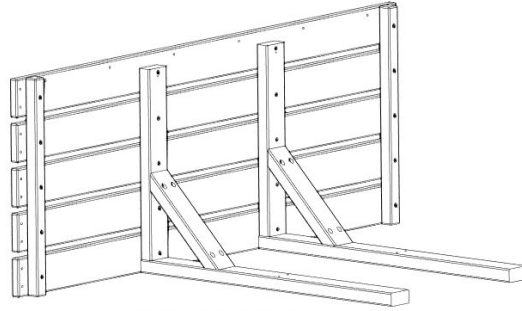
OR02 ANGLE BRACE - W4L21946  
(x2) 1 3/16"x2 3/8"x10 7/8" (30x60x276)

- ALIGN PILOT HOLES AND ATTACH SEAT UPRIGHT TO BENCH ASSEMBLY AS SHOWN.
- THEN ALIGN PILOT HOLES IN ANGLE BRACE WITH PILOT HOLES IN SEAT UPRIGHT AND BENCH ASSEMBLY AND ATTACH.



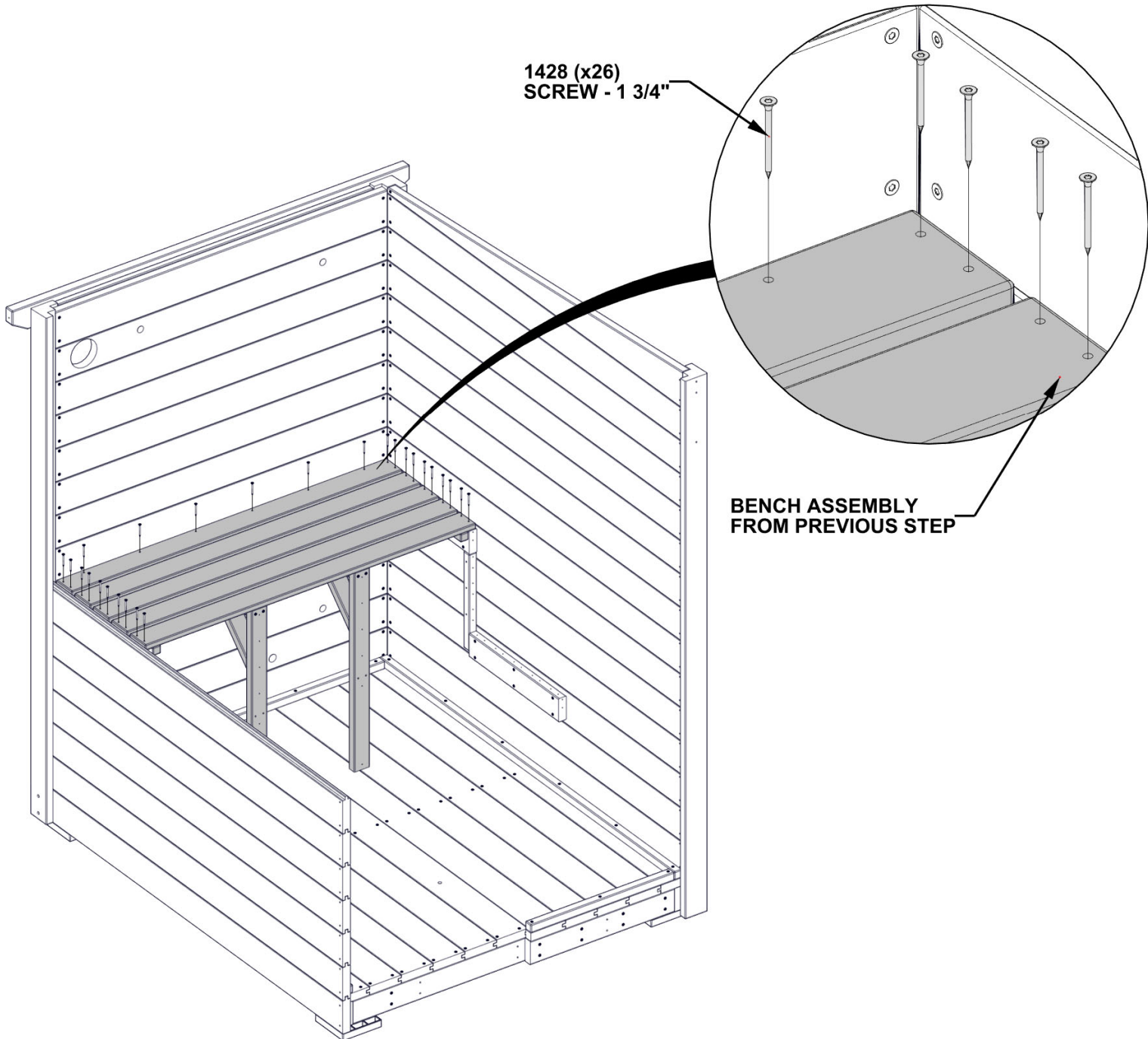
# STEP 30 - BENCH ASSEMBLY

QTY	PART NUMBER	DESCRIPTION
26	H101428	SCREW TFH 8X1 3/4 SS-BLK



BENCH ASSEMBLY - STEP 28  
(x1)

- ALIGN THROUGH HOLES IN BENCH ASSEMBLY WITH PILOT HOLES IN SEAT CLEATS AND ATTACH AS SHOWN.



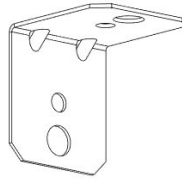
1428 (x26)  
SCREW - 1 3/4"

BENCH ASSEMBLY  
FROM PREVIOUS STEP

FRONT WALL AND PARTIAL LEFT SIDE  
HIDDEN FOR DETAIL

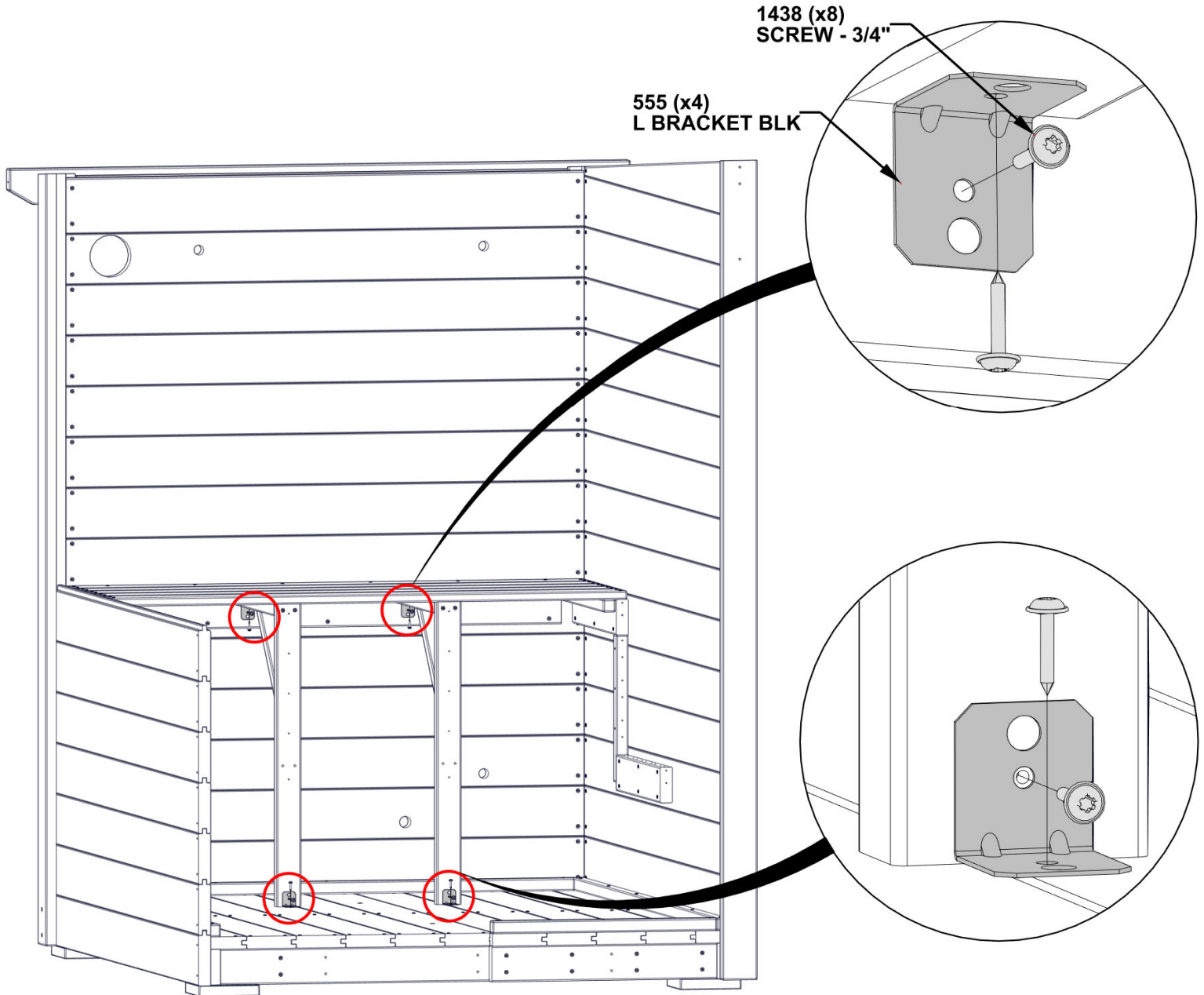
# STEP 31 - BENCH ASSEMBLY

QTY	PART NUMBER	DESCRIPTION
8	H101438	SCREW TWH 8x3/4 SS-BLK



A4M00555 L BRACKET BLK  
(x4)

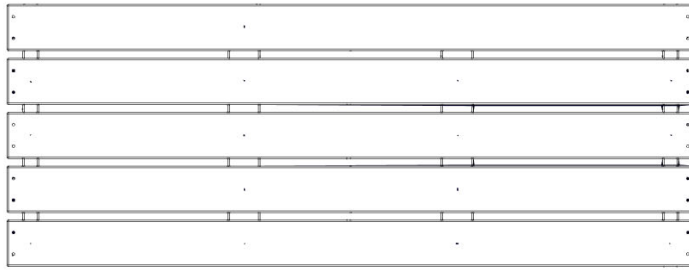
- ALIGN UPPER BRACKET THROUGH HOLES WITH PILOT HOLES IN WALL CLEAT AND ATTACH AS SHOWN.
- AFTER ATTACHING TO WALL CLEAT, SQUARE AND LEVEL LEGS AND ATTACH TO FLOOR AS SHOWN.



FRONT WALL AND PARTIAL LEFT SIDE  
HIDDEN FOR DETAIL

# STEP 32 - BENCH ASSEMBLY

QTY	PART NUMBER	DESCRIPTION
4	H101431	SCREW TFH 8X2 1/2 SS-BLK
8	H101443	SCREW TWH 8x1 1/2 SS-BLK



BA02 BENCH ASSEMBLY - W2A04920  
(x1) 1 15/16"x19 1/8"x50 1/4" (50x486x1276)



OR03 BENCH UPRIGHT - W4L22405  
(x2) 1 3/16"x2 3/8"x14" (30x60x355)

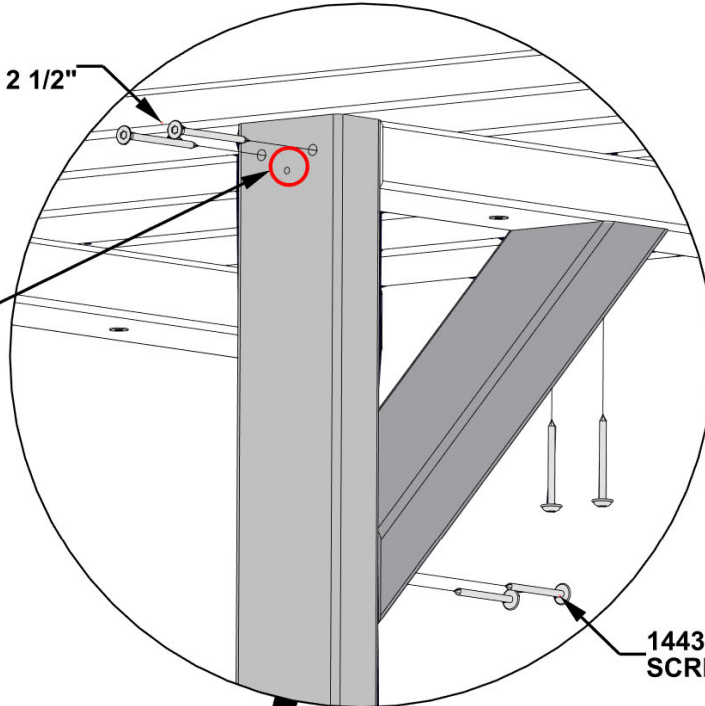


OR02 ANGLE BRACE - W4L21946  
(x2) 1 3/16"x2 3/8"x10 7/8" (30x60x276)

- ALIGN PILOT HOLES AND ATTACH SEAT UPRIGHT TO BENCH ASSEMBLY AS SHOWN.
- THEN ALIGN PILOT HOLES IN ANGLE BRACE WITH PILOT HOLES IN SEAT UPRIGHT AND BENCH ASSEMBLY AND ATTACH.

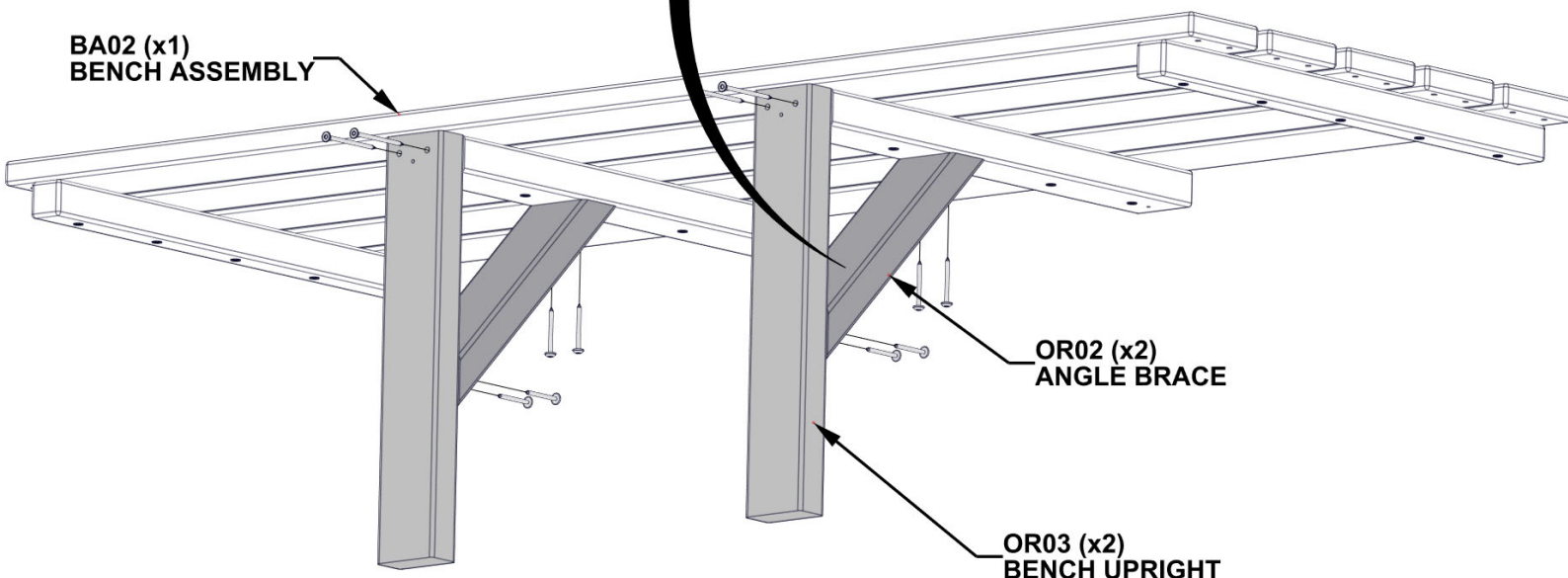
1431 (x4)  
SCREW - 2 1/2"

**NOTE PILOT HOLES  
IN SEAT UPRIGHT  
FOR CORRECT  
ORIENTATION**



1443 (x8)  
SCREW - 1 1/2"

BA02 (x1)  
BENCH ASSEMBLY

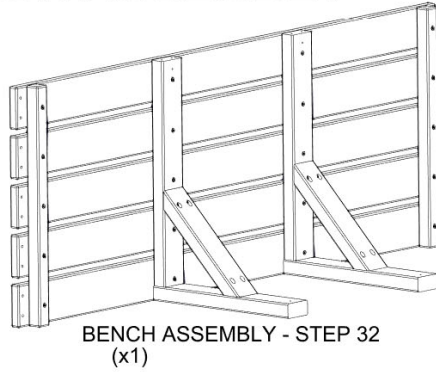


OR02 (x2)  
ANGLE BRACE

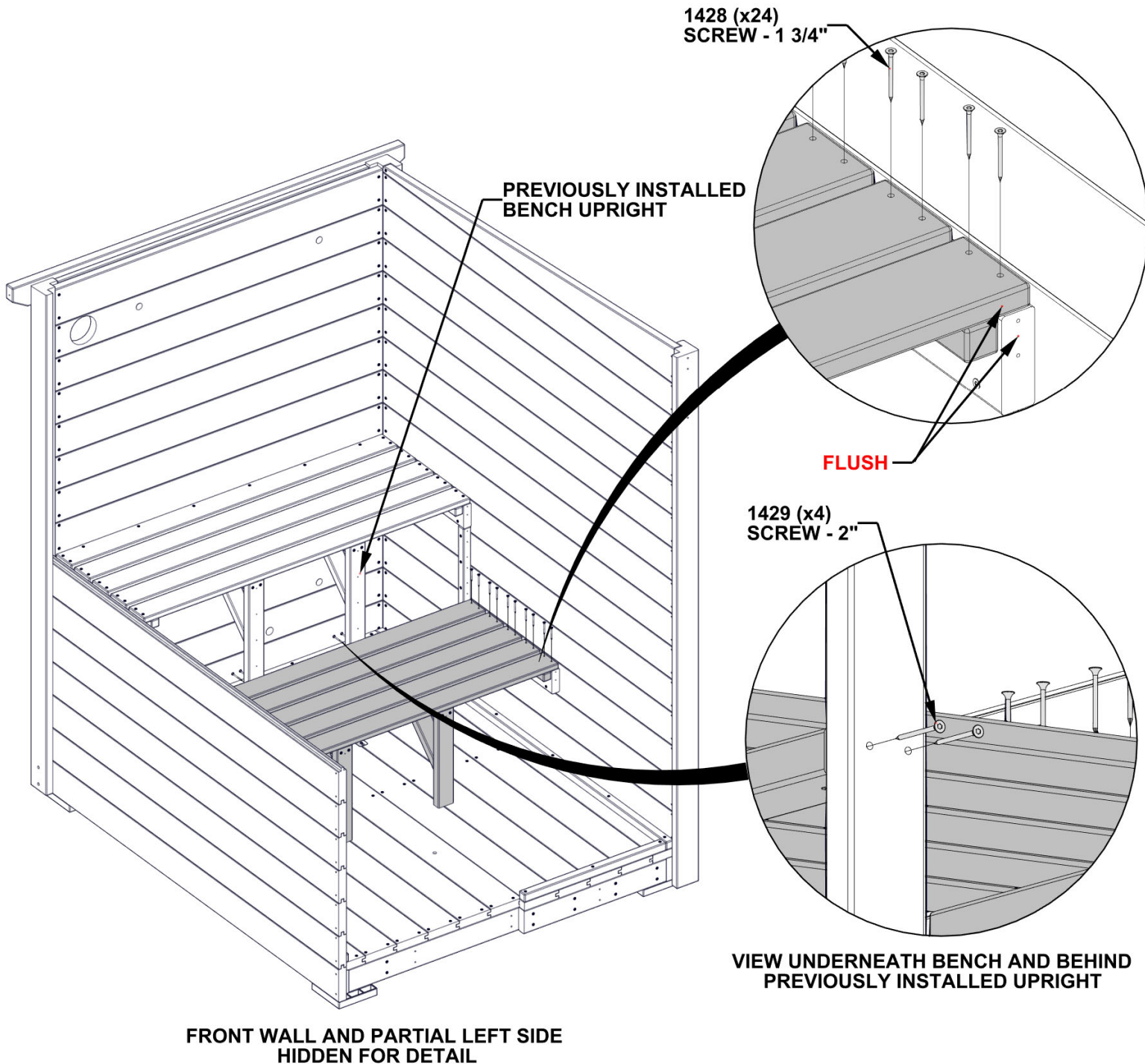
OR03 (x2)  
BENCH UPRIGHT

# STEP 33 - BENCH ASSEMBLY

QTY	PART NUMBER	DESCRIPTION
20	H101428	SCREW TFH 8X1 3/4 SS-BLK
4	H101429	SCREW TFH 8X2 SS-BLK

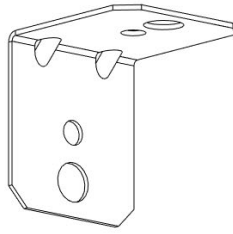


- ALIGN THROUGH HOLES IN BENCH ASSEMBLY WITH PILOT HOLES IN SEAT CLEATS AND ATTACH AS SHOWN.
- ALIGN THROUGH HOLES IN PREVIOUSLY INSTALLED BENCH UPRIGHTS WITH PILOT HOLES IN BENCH ASSEMBLY.



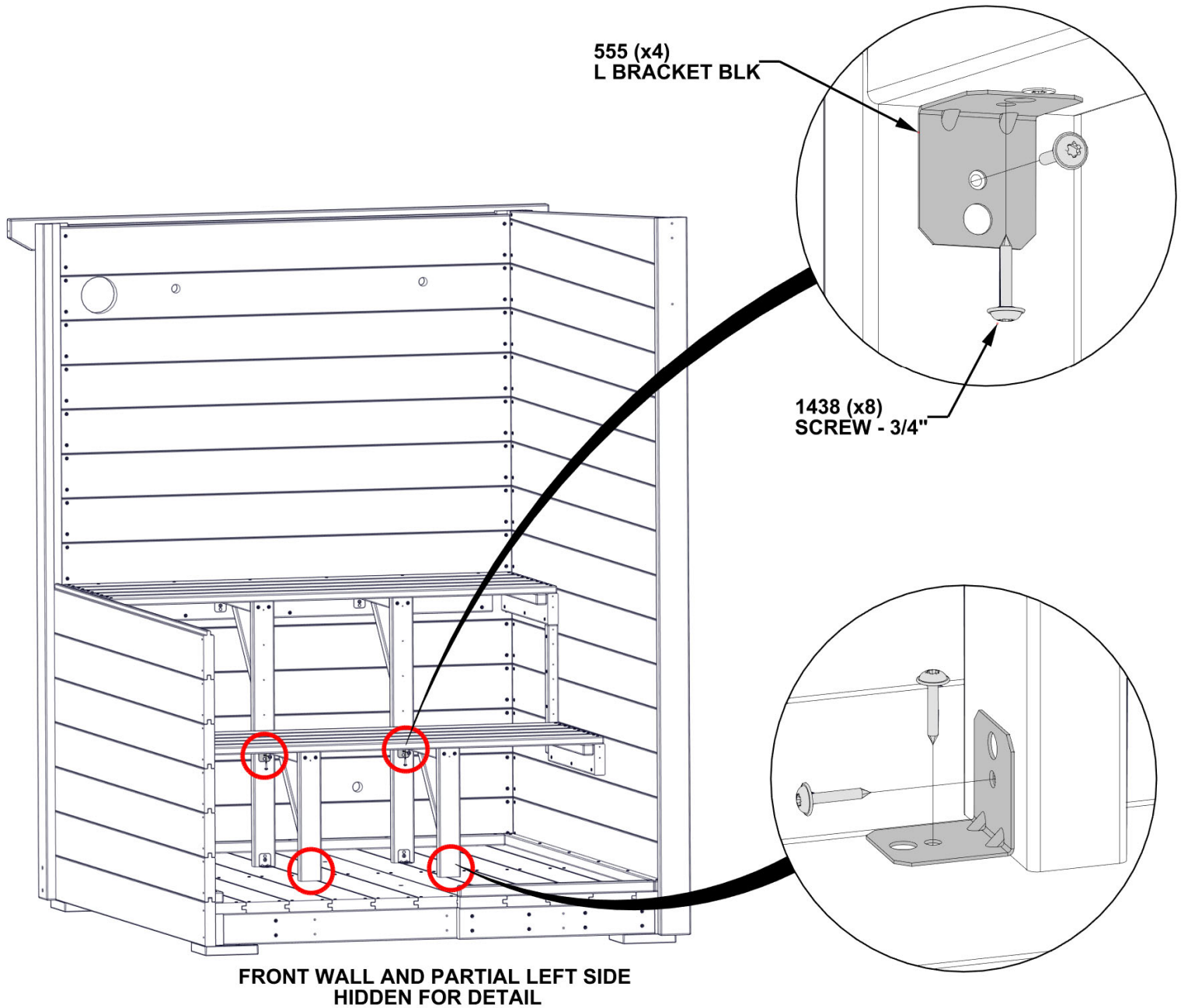
# STEP 34 - BENCH ASSEMBLY

QTY	PART NUMBER	DESCRIPTION
8	H101438	SCREW TWH 8x3/4 SS-BLK



A4M00555 L BRACKET BLK  
(x4)

- ALIGN BRACKETS WITH PILOT HOLES IN BACKS OF UPRIGHTS AND ATTACH AS SHOWN.



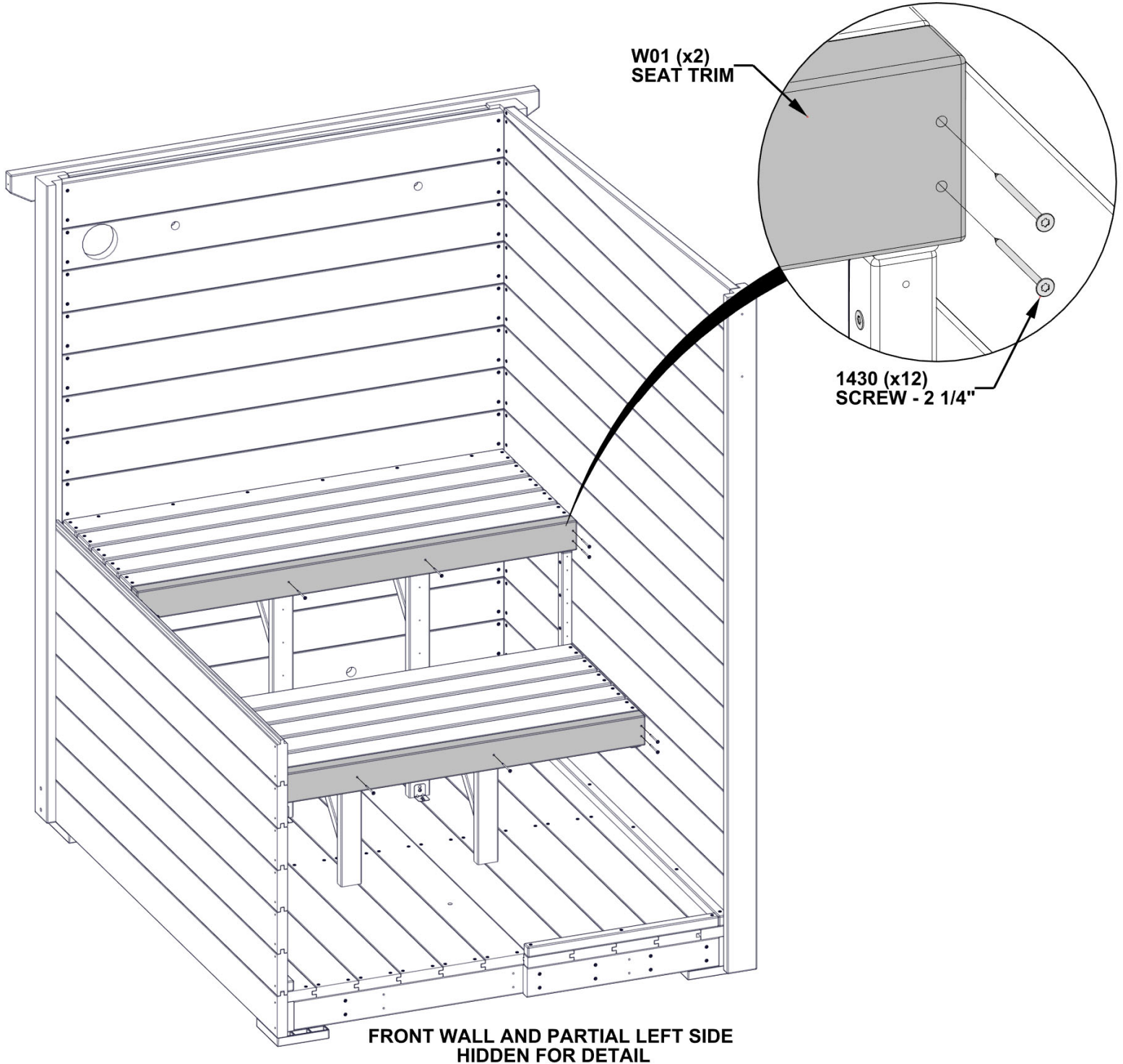
# STEP 35 - BENCH ASSEMBLY

QTY	PART NUMBER	DESCRIPTION
12	H101430	SCREW TFH 8X2 1/4 SS-BLK



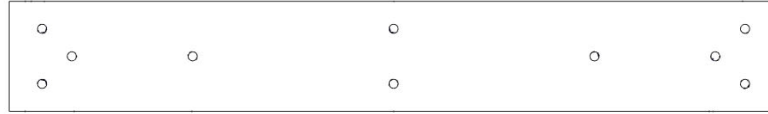
W01 SEAT TRIM - W4L22383  
(x2) 1 9/16"x3 3/8"x50 1/4" (40x86x1276)

- ALIGN THROUGH HOLES IN SEAT TRIM WITH PILOT HOLES IN UPRIGHTS AND CLEATS AND ATTACH



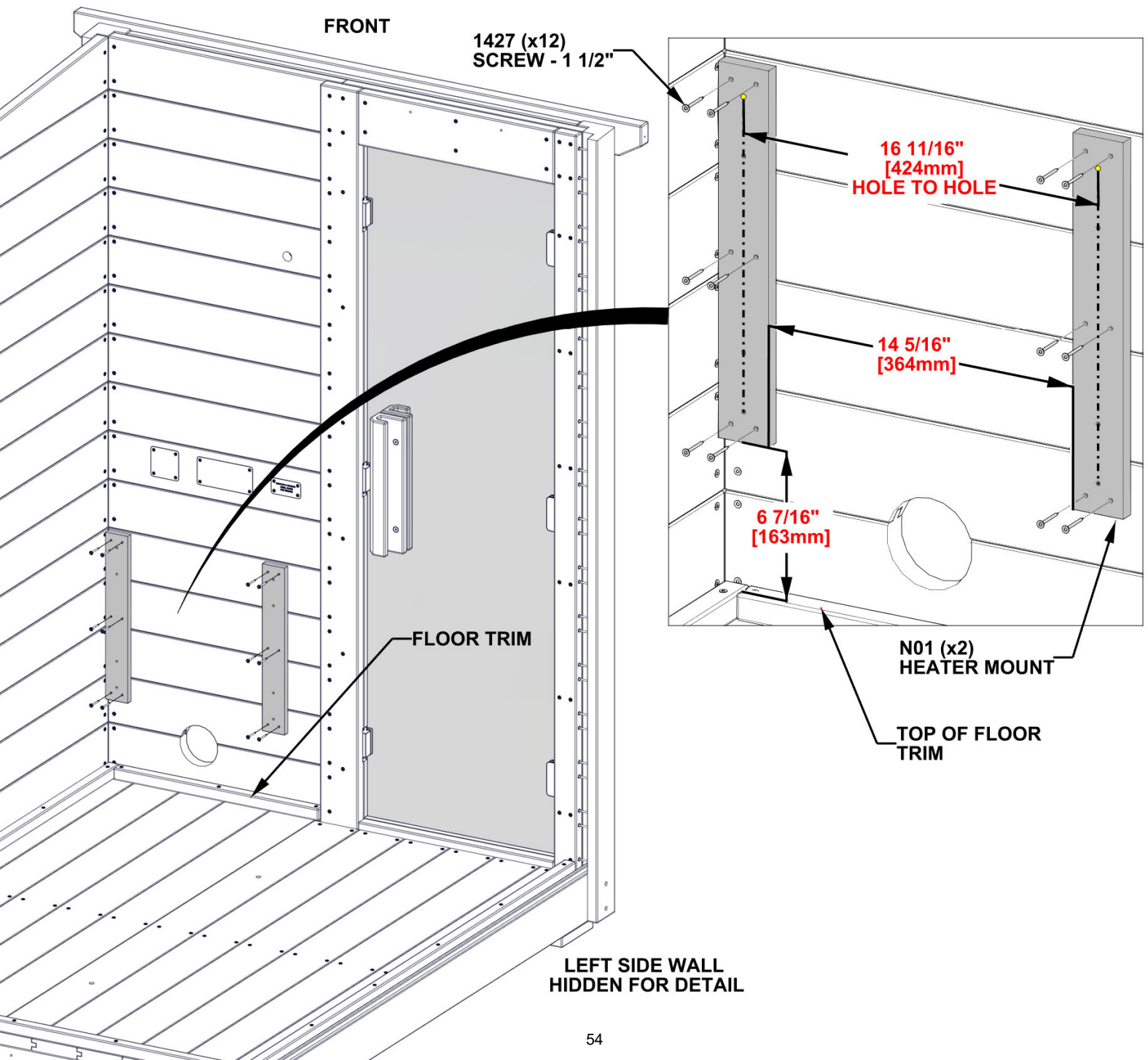
# STEP 36 - HEATER ASSEMBLY

QTY	PART NUMBER	DESCRIPTION
12	H101427	SCREW TFH 8X1 1/2 SS-BLK



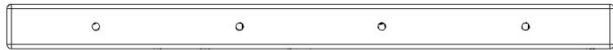
N01 HEATER MOUNT - W4L22411  
(x2) 5/8"x2 3/8"x16 9/16" (16x60x420)

- FLUSH N01 BOARD AGAINST RIGHT SIDE WALL.
- USE DIMENSIONS SHOWN TO LOCATE HEATER MOUNT BOARDS AND ATTACH AS SHOWN.



# STEP 37 - HEATER GUARD

QTY	PART NUMBER	DESCRIPTION
15	H101428	SCREW TFH 8X1 3/4 SS-BLK



OO03 HEATER GUARD BOARD - W4L22038  
(x1) 1 3/16"x1 3/16"x16 1/8" (30x30x410)

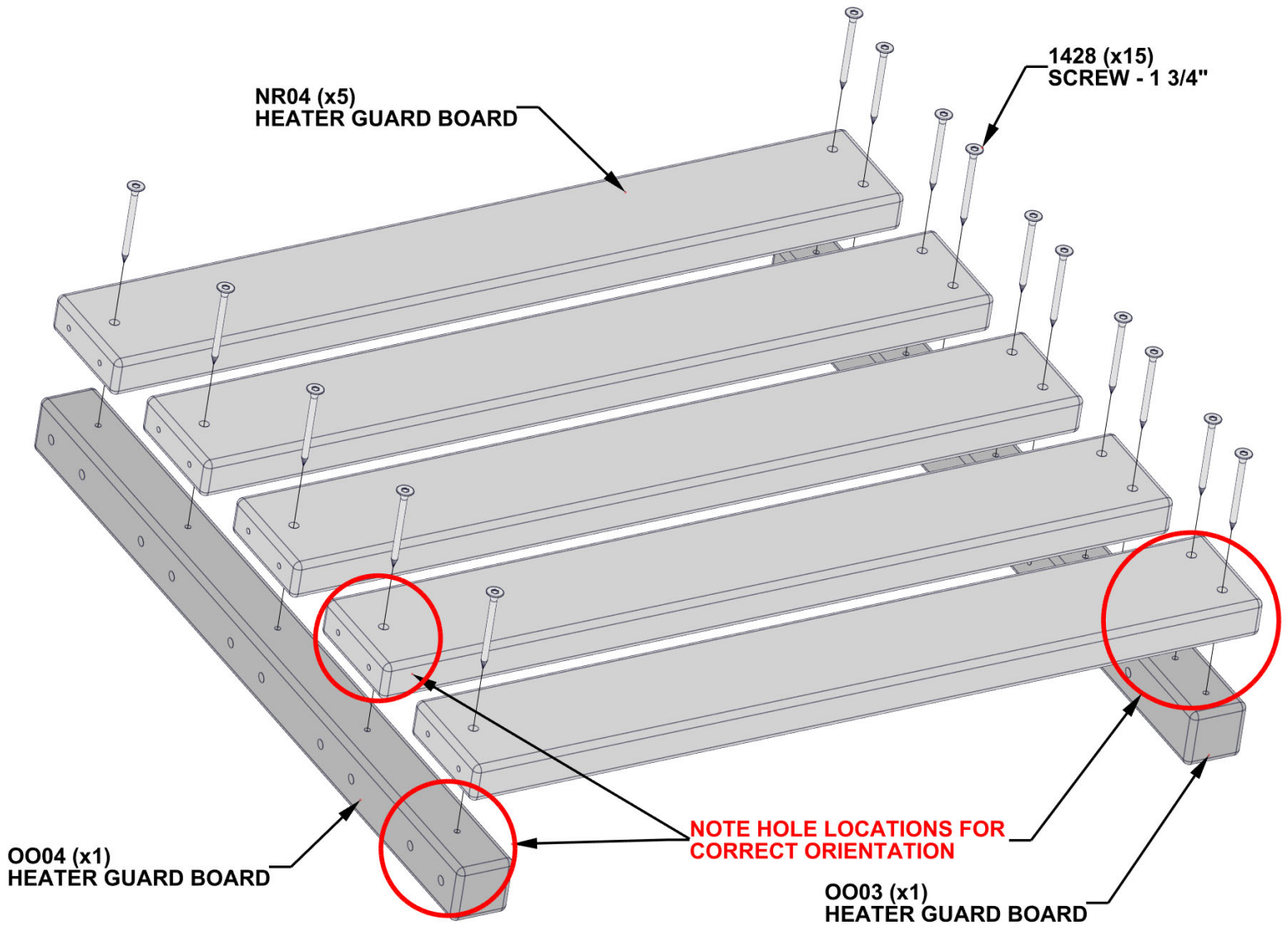


OO04 HEATER GUARD BOARD - W4L22035  
(x1) 1 3/16"x1 3/16"x16 1/8" (30x30x410)



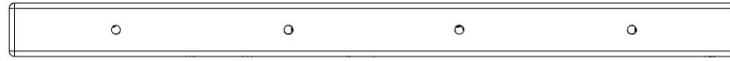
NR04 HEATER GUARD BOARD - W4L22412  
(x5) 13/16"x2 3/8"x16 15/16" (20x60x430)

- ALIGN HOLES IN NR04 WITH PILOT HOLES IN OO03 AND OO04.



# STEP 38 - HEATER GUARD

QTY	PART NUMBER	DESCRIPTION
30	H101428	SCREW TFH 8X1 3/4 SS-BLK

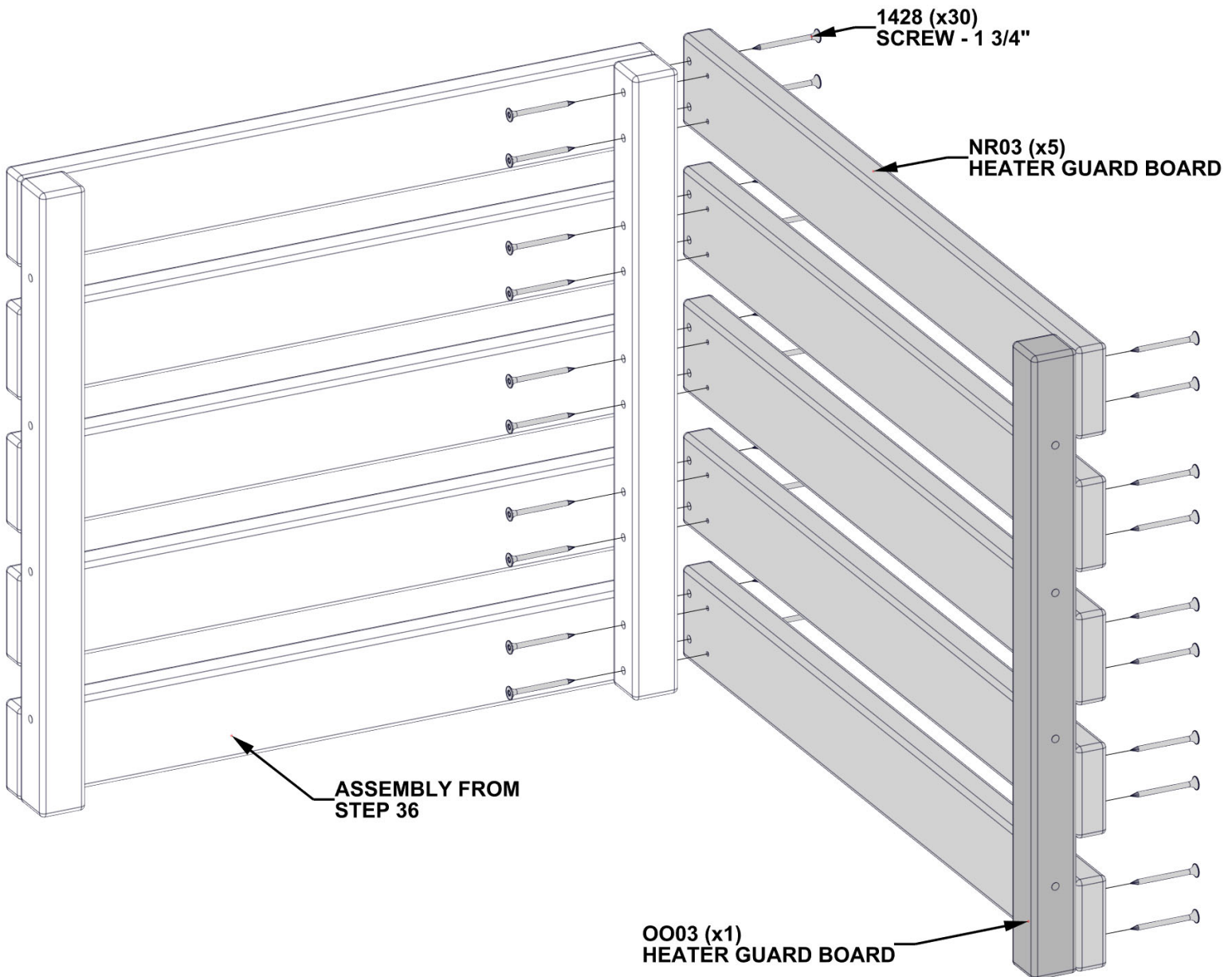


OO03 HEATER GUARD BOARD - W4L22038  
(x1) 1 3/16"x1 3/16"x16 1/8" (30x30x410)



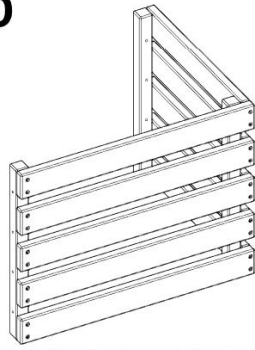
NR03 HEATER GUARD BOARD - W4L22413  
(x5) 13/16"x2 3/8"x21 3/16" (20x60x538)

- ALIGN THROUGH HOLES WITH PILOT HOLES AND ATTACH AS SHOWN.



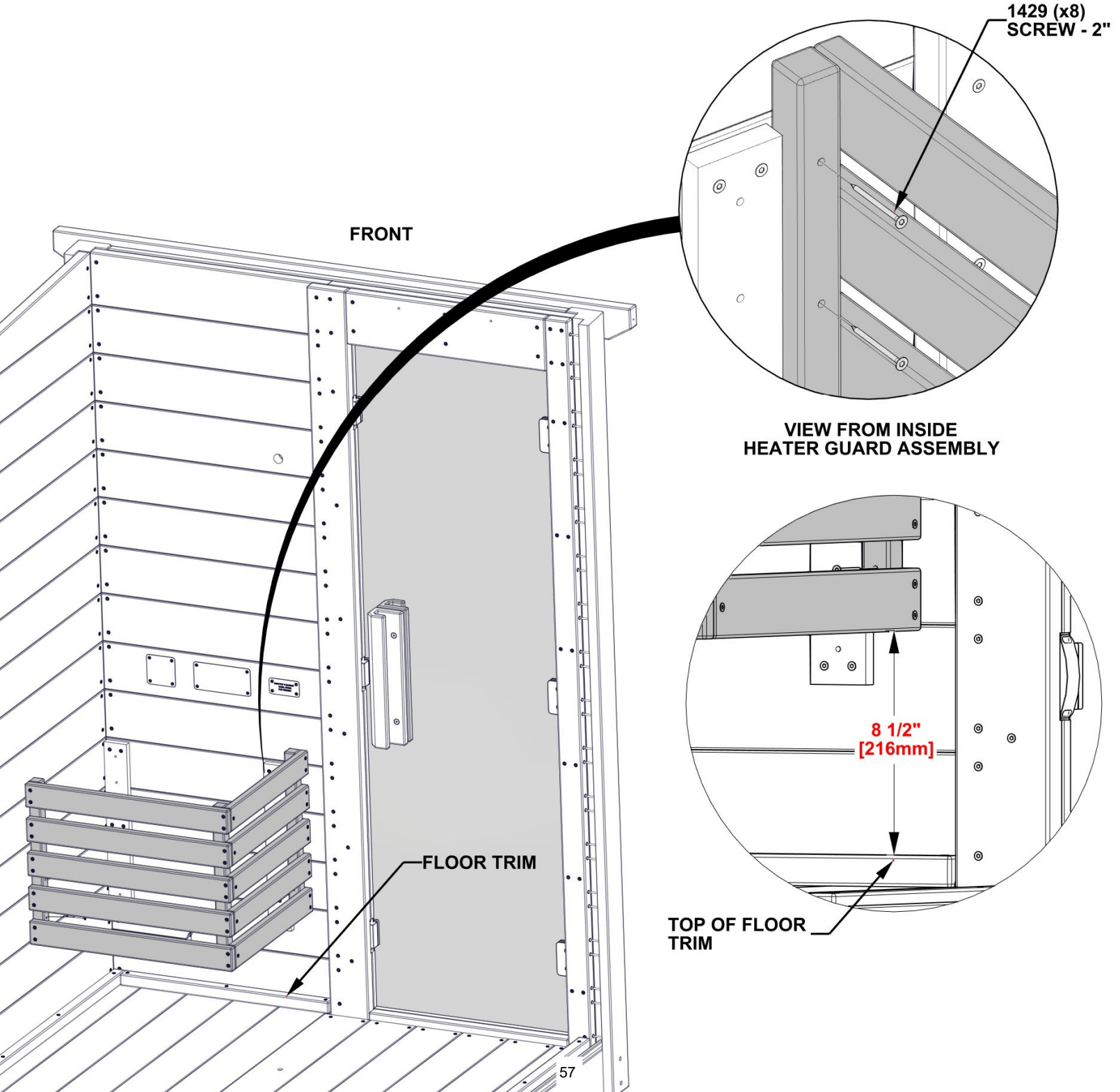
# STEP 39 - HEATER GUARD

QTY	PART NUMBER	DESCRIPTION
8	H101429	SCREW TFH 8X2 SS-BLK



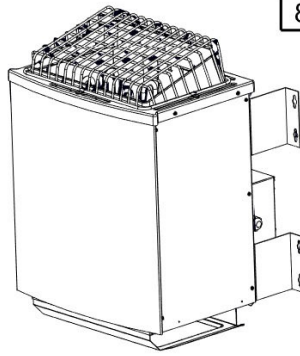
HEATER GUARD ASSEMBLY - STEP 38  
(x1)

- POSITION HEATER GUARD ASSEMBLY AS SHOWN AND ATTACH.



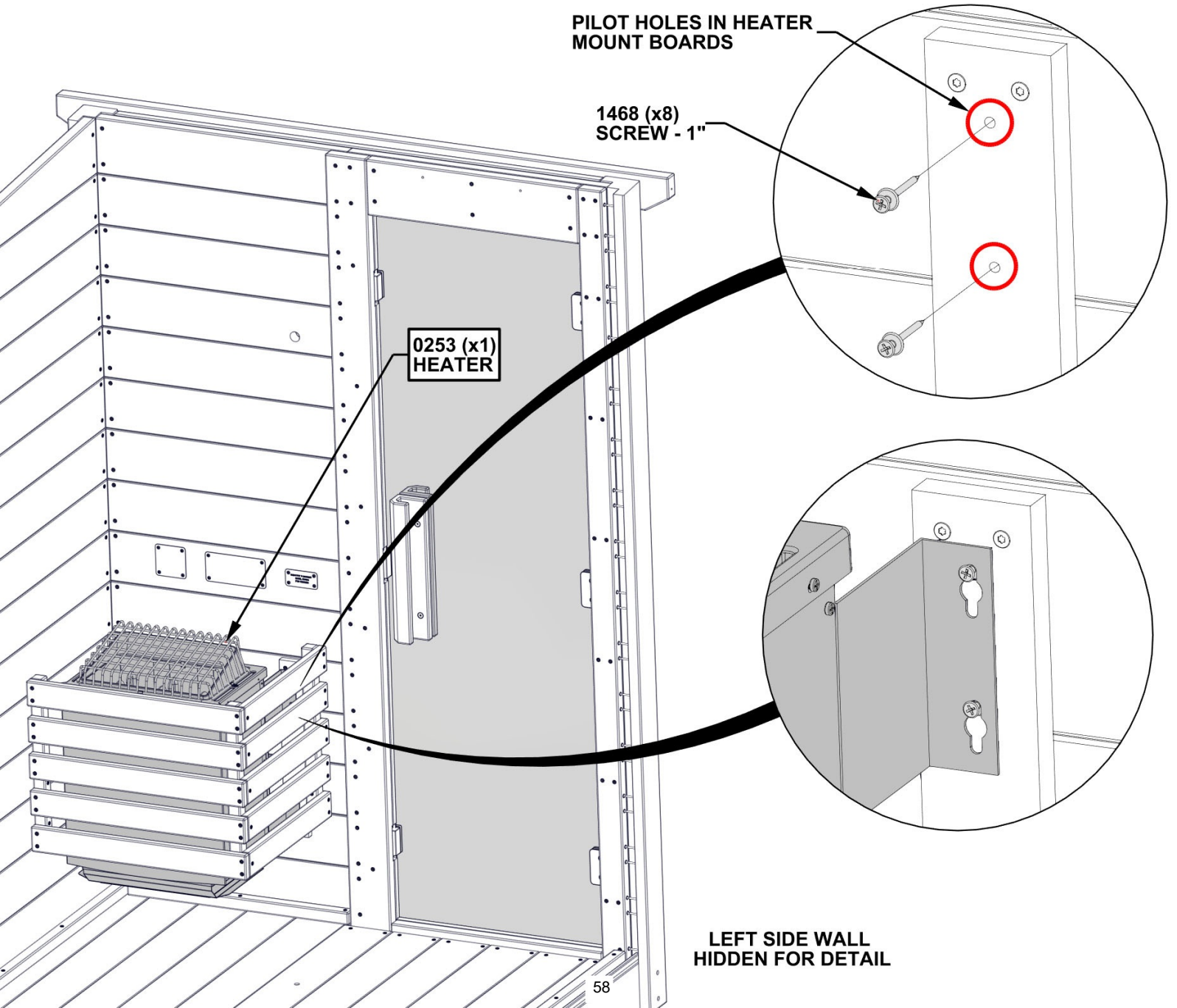
# STEP 40 - HEATER

QTY	PART NUMBER	DESCRIPTION
8	H101468	SCREW RAISED HEAD 8x1"



9250253 HEATER  
(x1)

- **CAUTION: IMPROPER INSTALLATION OF THE HEATER COULD CAUSE HEATER TO FALL CAUSING BURNS OR OTHER INJURIES.**
- **DANGER! TURN OFF POWER TO THE HEATER AT THE BREAKER BEFORE BEGINNING INSTALLATION OR PERFORMING ANY MAINTENANCE. FAILURE TO TURN OFF THE POWER CAN RESULT IN ELECTROCUTION AND EVEN DEATH.**
- **ONCE FINISHED WITH THE SAUNA BUILD, A LICENSED ELECTRICIAN IS REQUIRED FOR HEATER INSTALLATION.**
- **SEE HEATER INSTRUCTIONS FOR INSTALLATION.**
- **INSERT SCREWS INTO PILOT HOLES IN HEATER GUARD SPACER BOARDS.**
- **HANG HEATER ONTO SCREWS, ENSURING ALL 8 SCREWS ARE ALIGNED INTO THE SLOTS IN THE HEATER AS SHOWN.**



PILOT HOLES IN HEATER MOUNT BOARDS

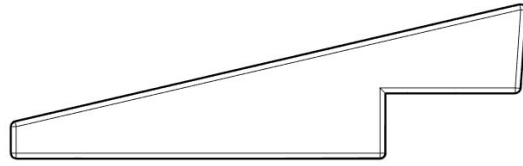
1468 (x8) SCREW - 1"

0253 (x1) HEATER

LEFT SIDE WALL HIDDEN FOR DETAIL

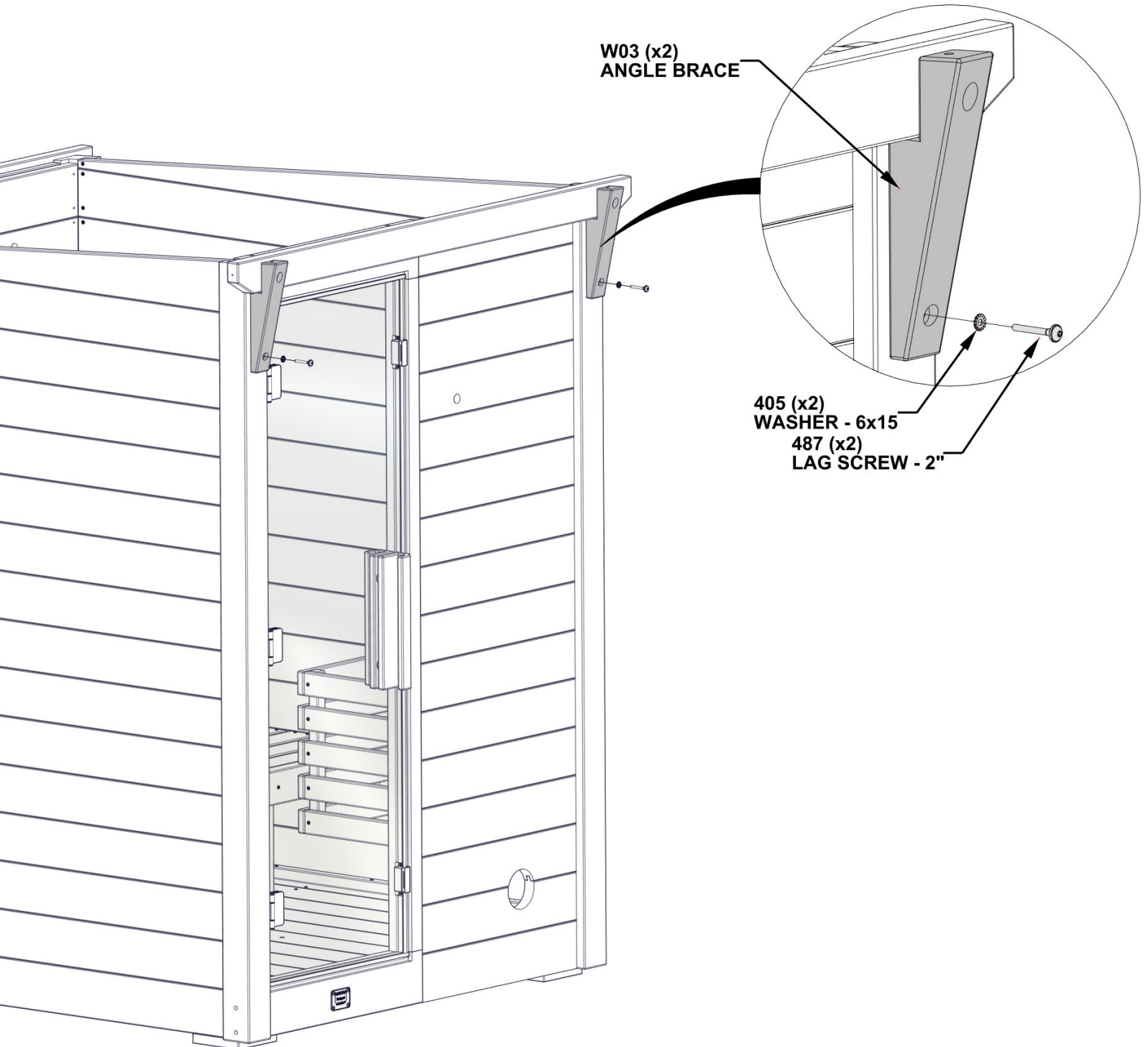
# STEP 41 - ROOF ASSEMBLY

QTY	PART NUMBER	DESCRIPTION
2	H100405	WASHER LOCK EXT BLK
2	H100487	LAG SCREW WH BLK

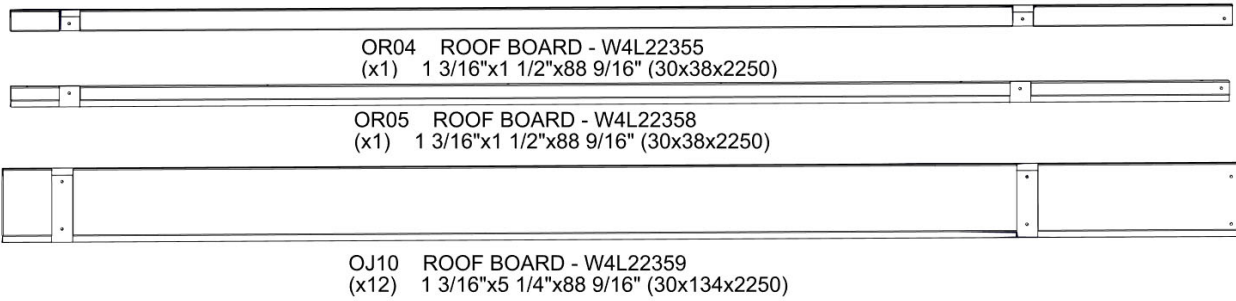


W03 ANGLE BRACE - W4L22409  
(x2) 1 15/16"x3 3/8"x11 1/4" (50x86x285)

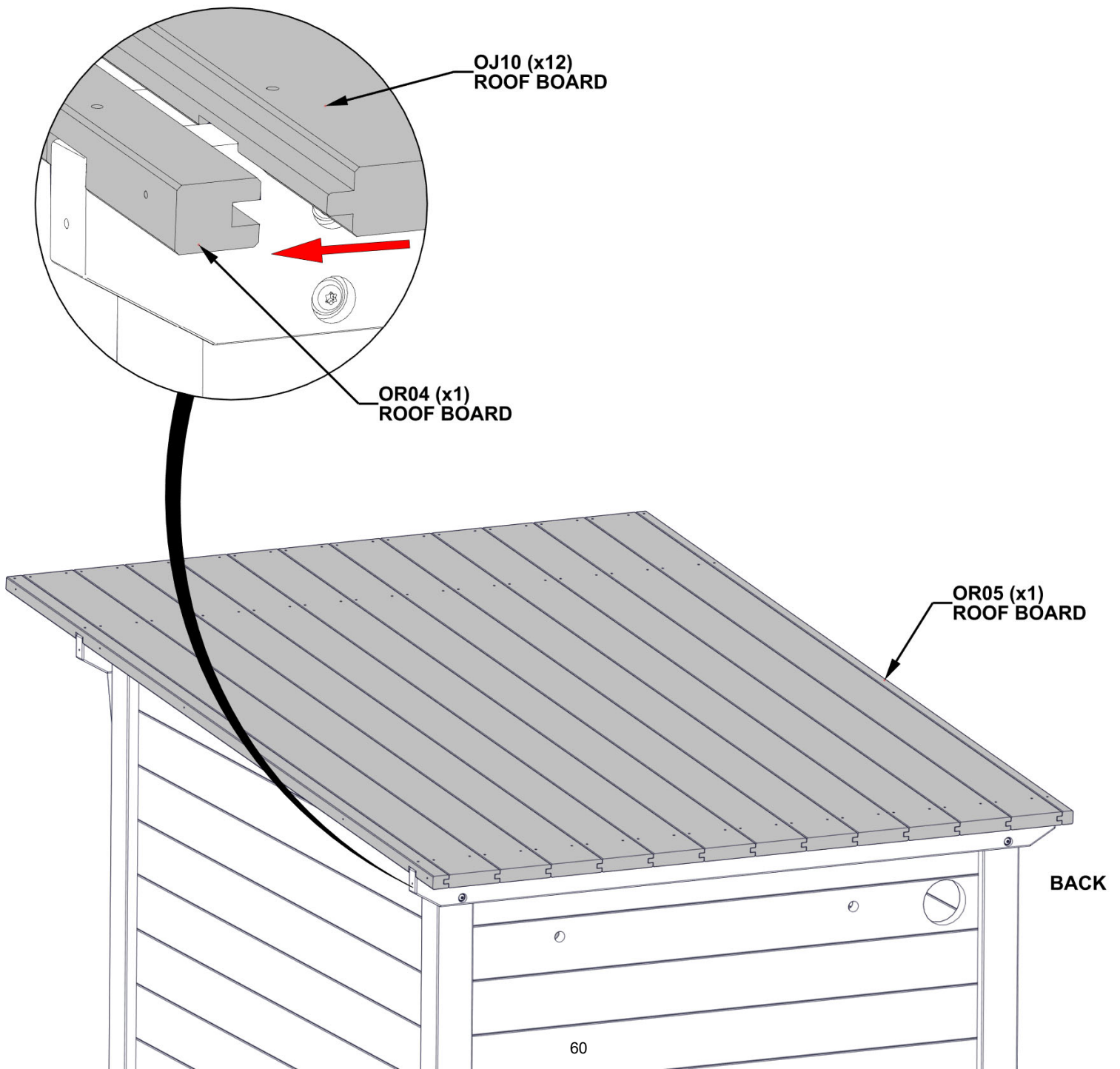
- ALIGN PILOT HOLES



# STEP 42 - ROOF ASSEMBLY



- EVENLY SPACE ROOF BOARDS ON TOP AS SHOWN. DO NOT FASTEN AT THIS TIME.



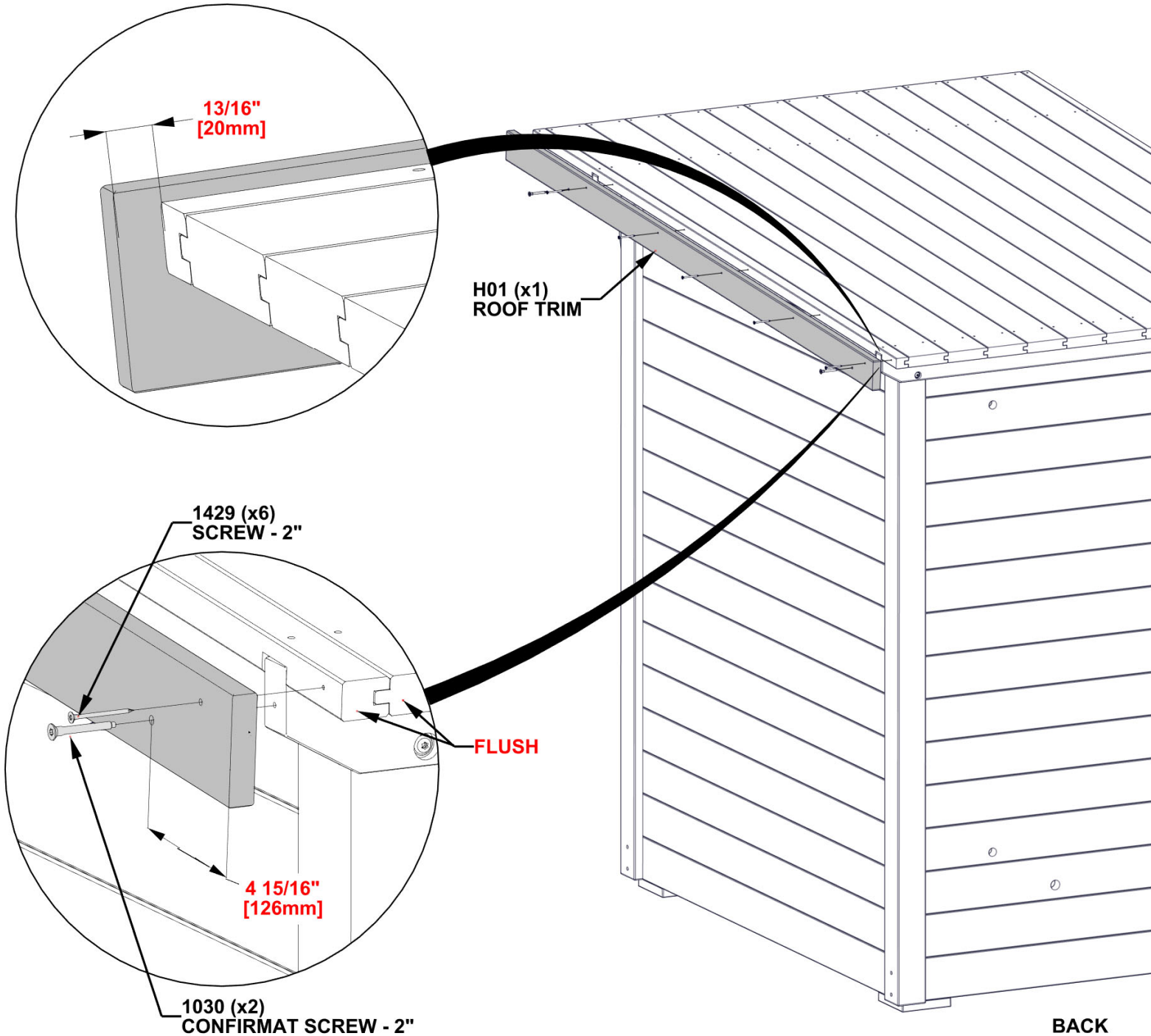
# STEP 43 - ROOF ASSEMBLY

QTY	PART NUMBER	DESCRIPTION
2	H101030	SCREW CONFIRMAT BLK
6	H101429	SCREW TFH 8X2 SS-BLK



H01 ROOF TRIM - W4L22909  
(x1) 15/16"x3 3/8"x89 3/8" (24x86x2270)

- ALIGN THROUGH HOLES WITH PILOT HOLES.
- USE DIMENSIONS SHOWN TO LOCATE H01 AND ATTACH AS SHOWN.



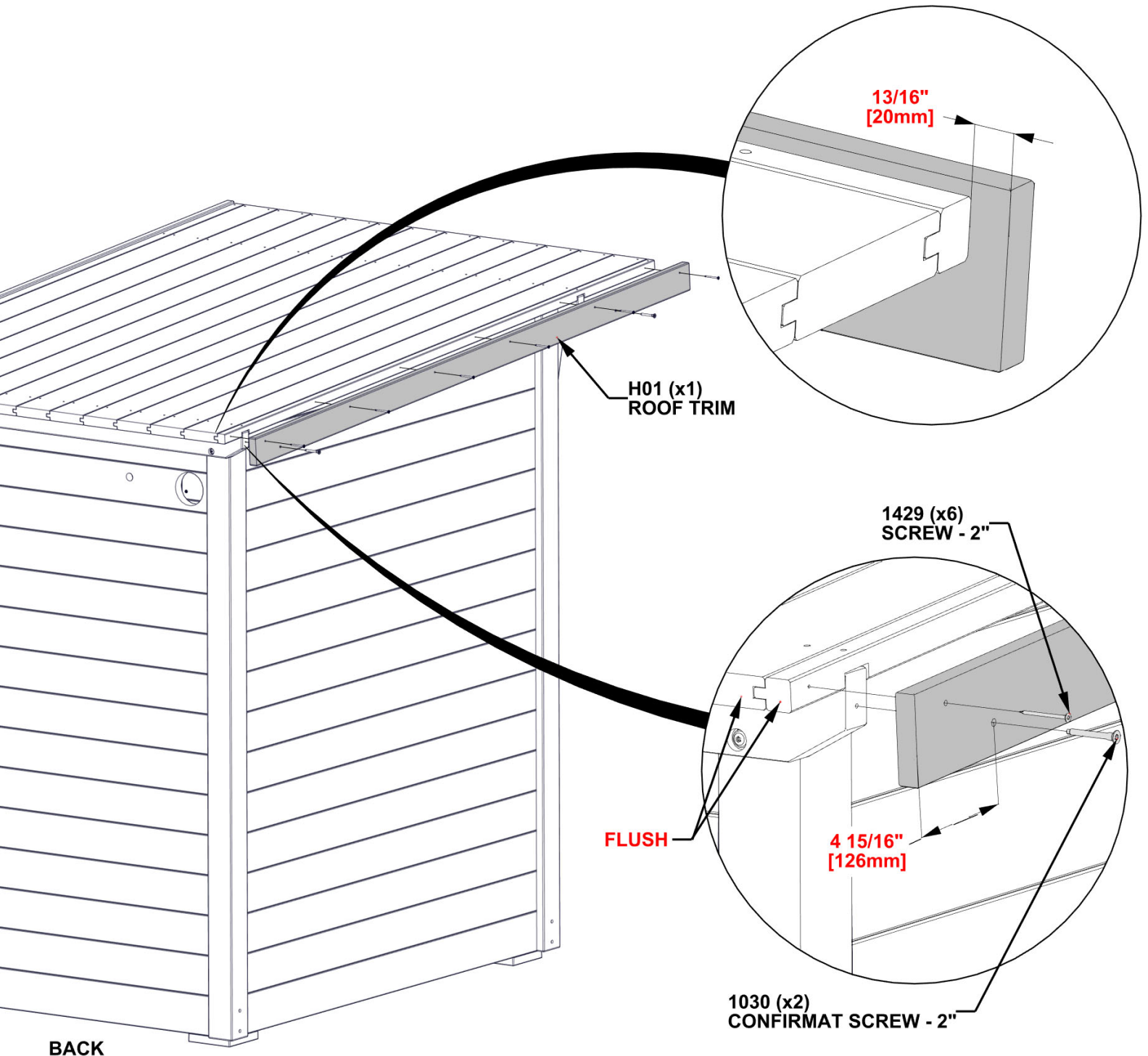
# STEP 44 - ROOF ASSEMBLY

QTY	PART NUMBER	DESCRIPTION
2	H101030	SCREW CONFIRMAT BLK
6	H101429	SCREW TFH 8X2 SS-BLK



H01 ROOF TRIM - W4L22909  
(x1) 15/16"x3 3/8"x89 3/8" (24x86x2270)

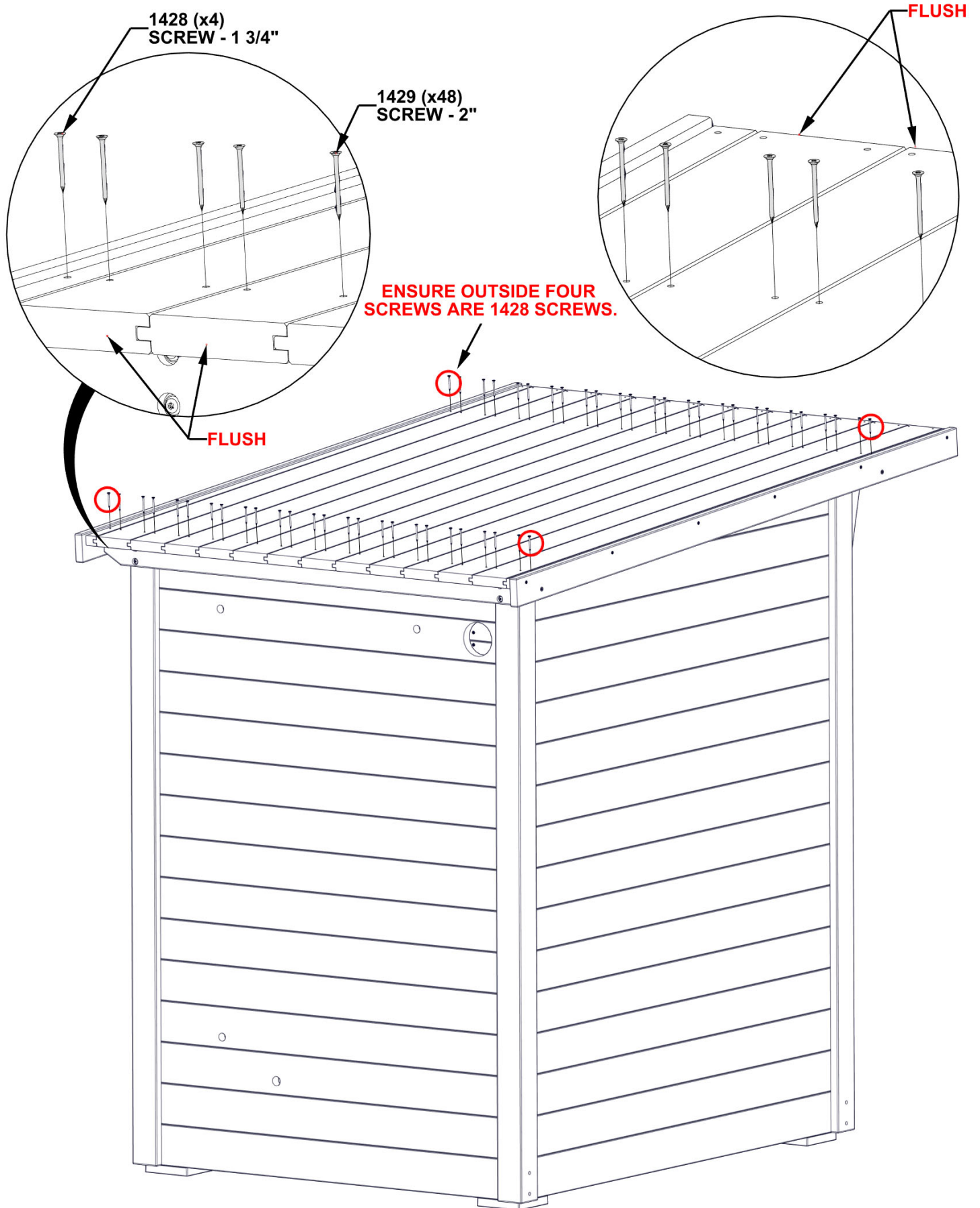
- ALIGN THROUGH HOLES WITH PILOT HOLES.
- USE DIMENSIONS SHOWN TO LOCATE H01 AND ATTACH AS SHOWN.



# STEP 45 - ROOF ASSEMBLY

QTY	PART NUMBER	DESCRIPTION
4	H101428	SCREW TFH 8X1 3/4 SS-BLK
48	H101429	SCREW TFH 8X2 SS-BLK

- ADJUST ROOF BOARDS AS NEEDED TO BE FLUSH BOTH AT FRONT AND BACK.
- ATTACH AS SHOWN.



# STEP 46 - ROOF ASSEMBLY

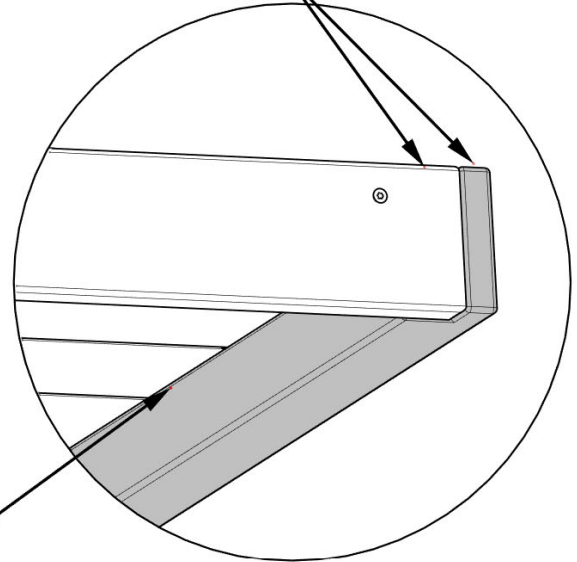
QTY	PART NUMBER	DESCRIPTION
10	H101429	SCREW TFH 8X2 SS-BLK



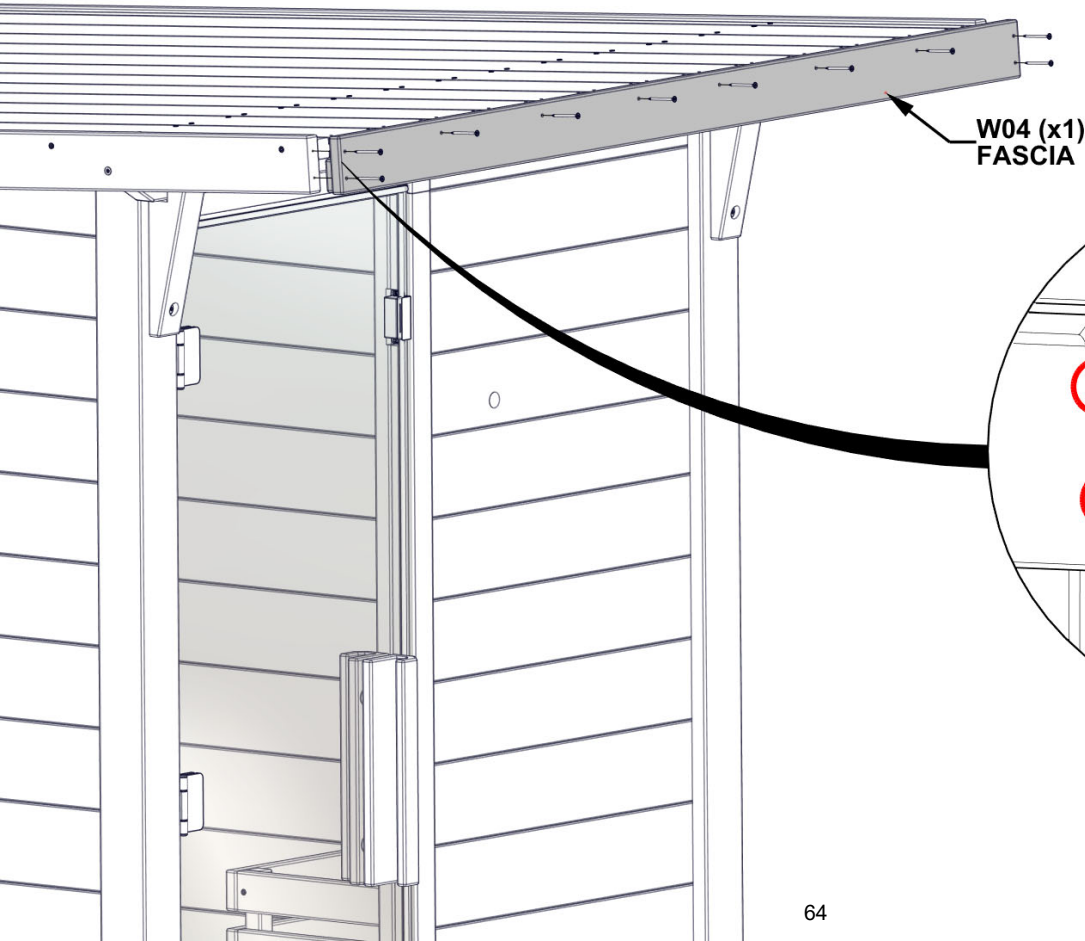
W04 FASCIA - W4L22912  
(x1) 1 15/16"x3 3/8"x62 5/16" (50x86x1583)

- ALIGN THROUGH HOLES WITH PILOT HOLES AND ATTACH AS SHOWN.

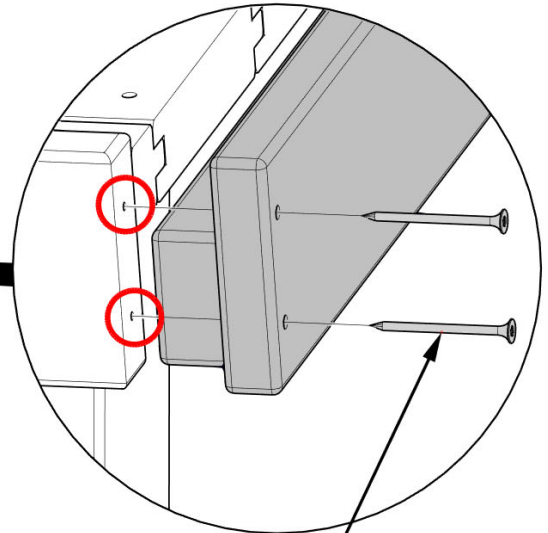
**FLUSH**



**BUTT FASCIA TO  
BOTTOM SIDE OF  
ROOF BOARDS**



W04 (x1)  
FASCIA

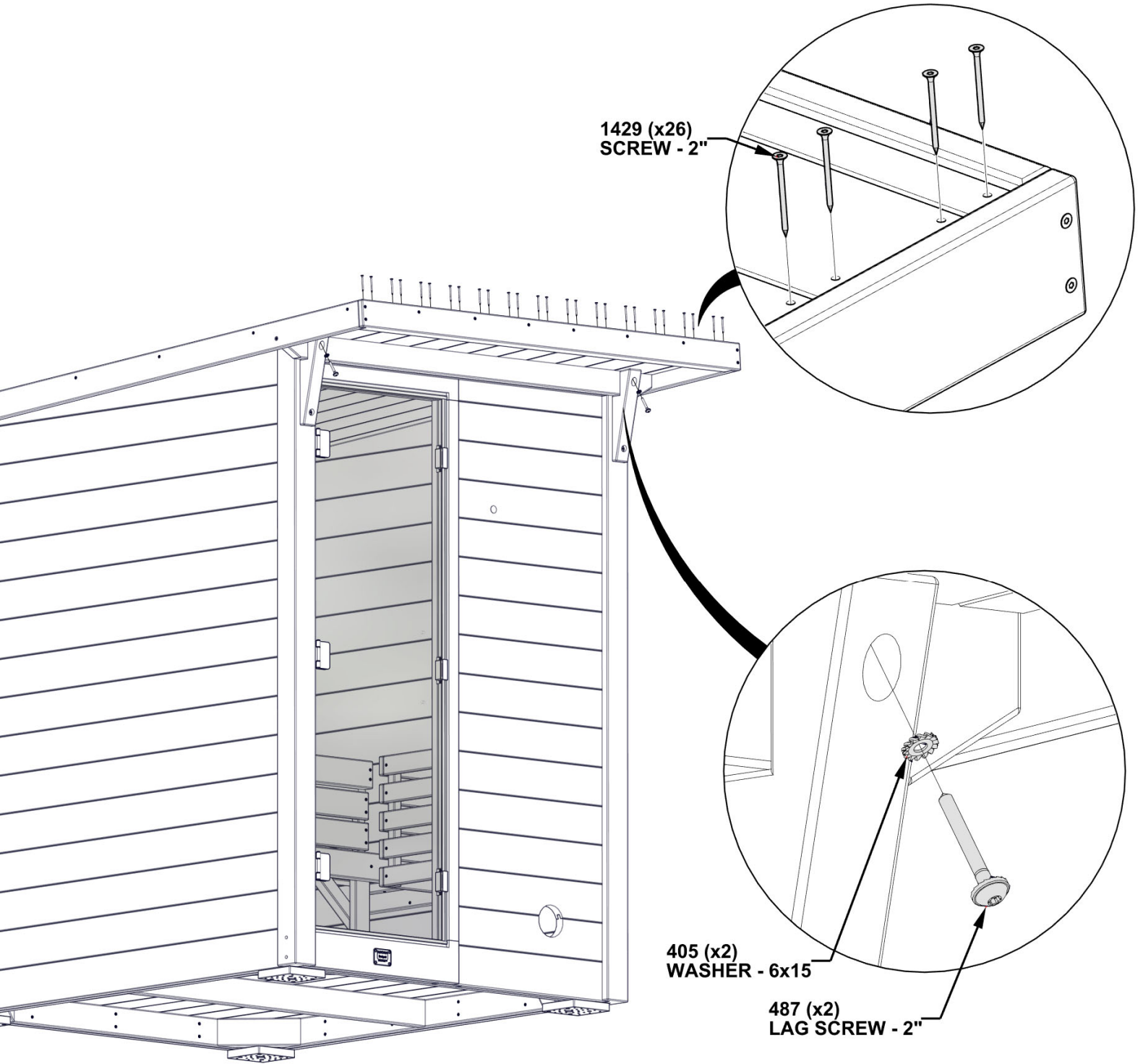


1429 (x10)  
SCREW - 2"

# STEP 47 - ROOF ASSEMBLY

QTY	PART NUMBER	DESCRIPTION
2	H100405	WASHER LOCK EXT BLK
2	H100487	LAG SCREW WH BLK
26	H101429	SCREW TFH 8X2 SS-BLK

- ATTACH ROOF BOARDS TO FASCIA AS SHOWN.

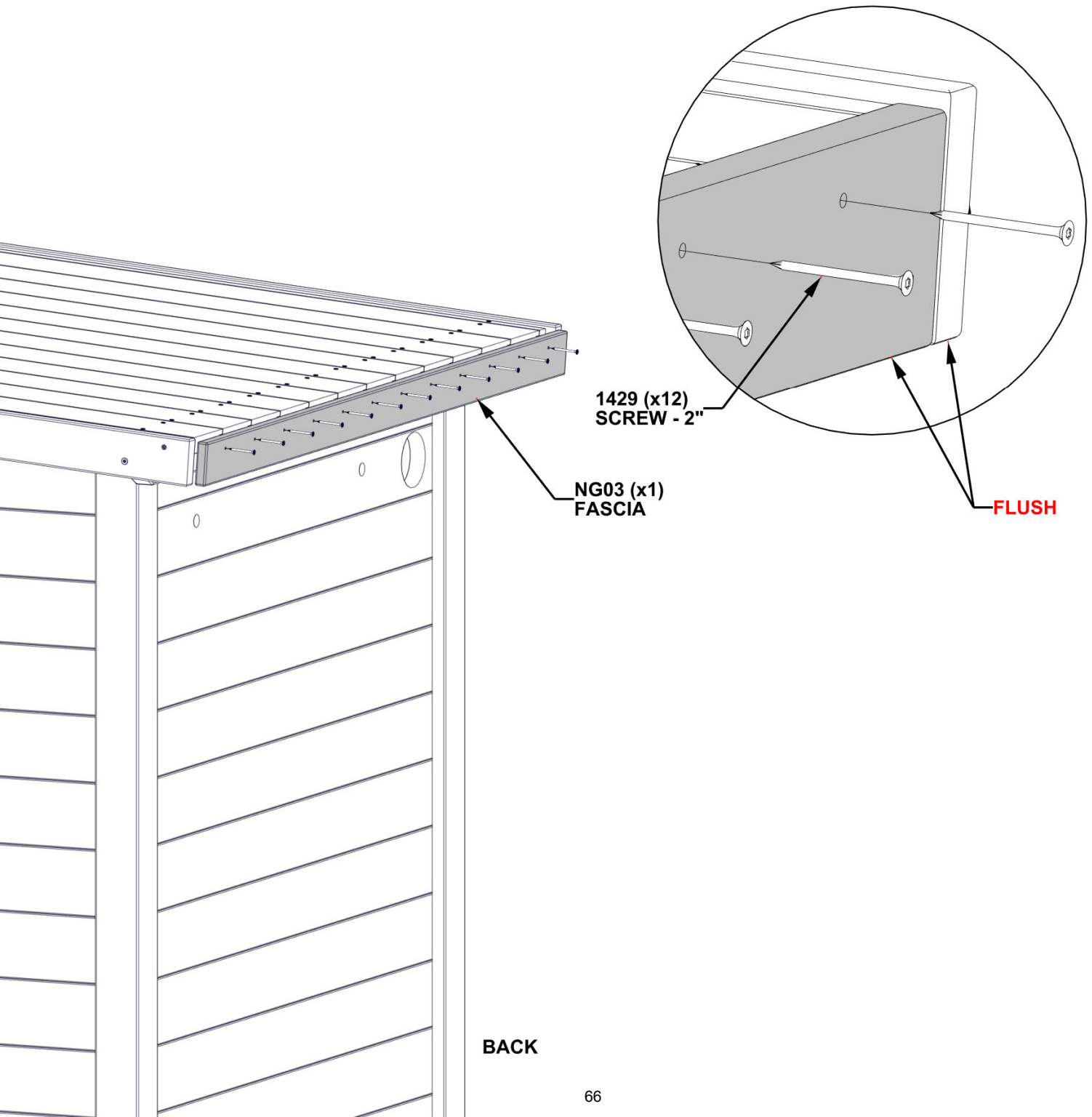


# STEP 48 - ROOF ASSEMBLY

QTY	PART NUMBER	DESCRIPTION
12	H101429	SCREW TFH 8X2 SS-BLK



NG03 FASCIA - W4L22910  
(x1) 13/16"x3 1/8"x60 3/8" (20x80x1534)



1429 (x12)  
SCREW - 2"

NG03 (x1)  
FASCIA

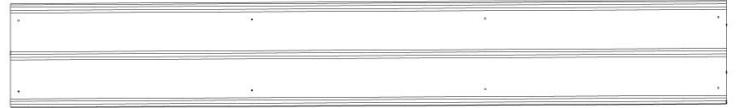
**FLUSH**

BACK

# STEP 49 - ROOF ASSEMBLY

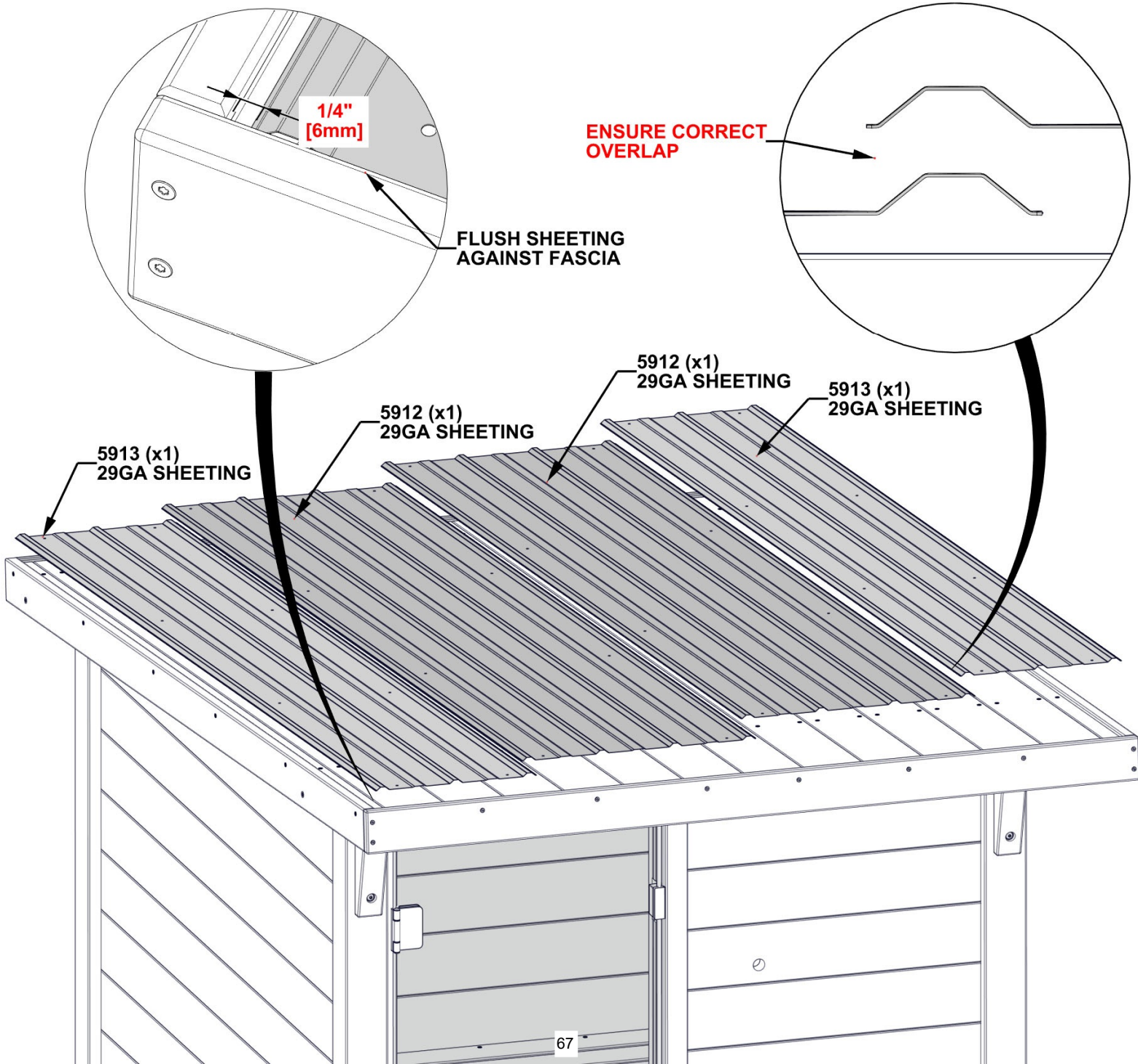


A4M05912 29GA SHEETING  
(x2)



A4M05913 29GA SHEETING  
(x2)

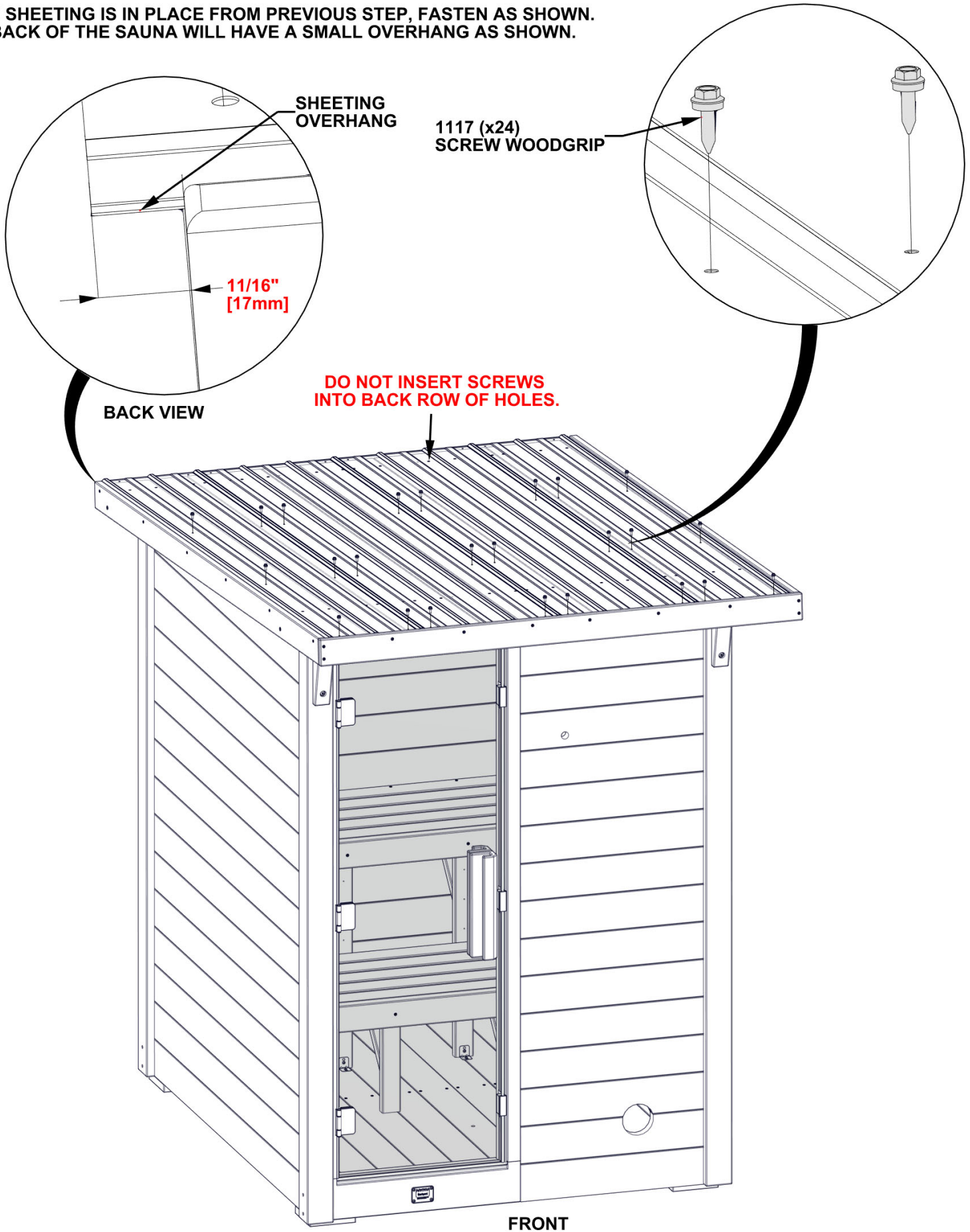
- **WARNING: USE GLOVES WHEN HANDLING STEEL SHEETING.**
- **IMPORTANT: REMOVE BLUE FILM BEFORE INSTALLATION.**
- **STARTING ON LEFT HAND SIDE, HOLD SHEETING 1/4" [6mm] FROM ROOF TRIM AND FLUSH WITH FASCIA AS SHOWN.**
- **CONTINUE FROM LEFT TO RIGHT BY LAYING SHEETING DOWN OVERLAPPING EACH SHEET BY ONE RIB.**
- **WHEN ALL SHEETS ARE IN PLACE, VERIFY THAT THE GAP ON EACH SIDE TO THE ROOF TRIM IS EVEN AND ADJUST AS NEEDED.**



# STEP 50 - ROOF ASSEMBLY

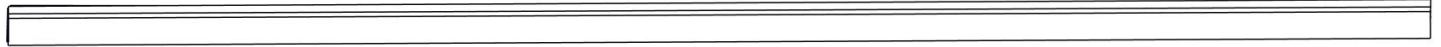
QTY	PART NUMBER	DESCRIPTION
24	H101117	SCREW WOODGRIP

- **WARNING: USE GLOVES WHEN HANDLING STEEL SHEETING.**
- ONCE SHEETING IS IN PLACE FROM PREVIOUS STEP, FASTEN AS SHOWN.
- THE BACK OF THE SAUNA WILL HAVE A SMALL OVERHANG AS SHOWN.



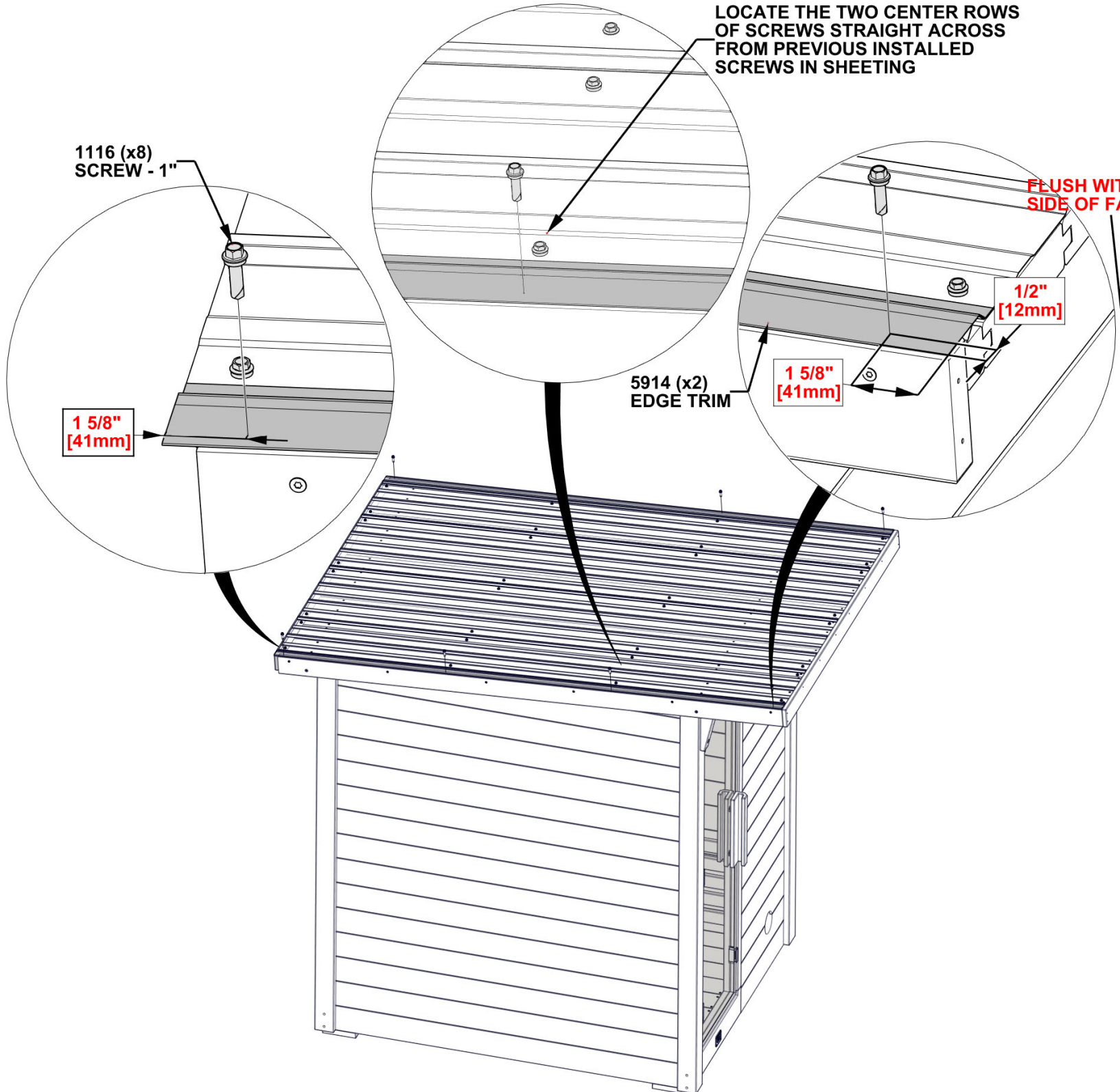
# STEP 51 - ROOF ASSEMBLY

QTY	PART NUMBER	DESCRIPTION
8	H101116	SCREW SELF TAPPING 1/4x1 BLK



A4M05914 EDGE TRIM  
(x2)

- **WARNING: USE GLOVES WHEN HANDLING STEEL SHEETING.**
- **IMPORTANT: REMOVE BLUE FILM BEFORE INSTALLATION.**
- FLUSH EDGE TRIM WITH SHEETING INSTALLED IN PRVIOUS STEP.
- ATTACH AS SHOWN AT THE APPROXIMATE LOCATIONS ON BOTH SIDES OF SAUNA.



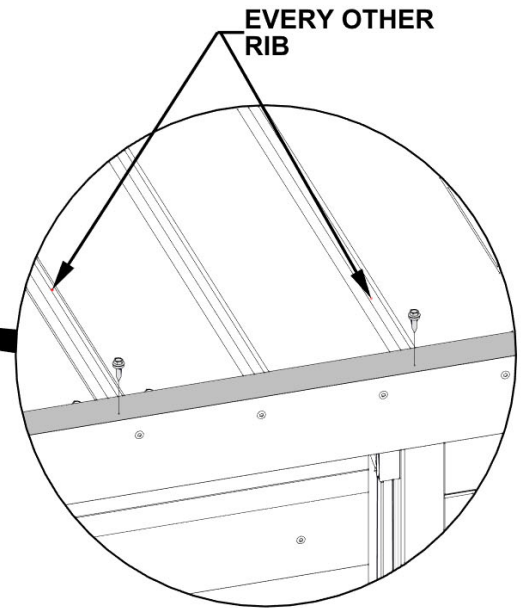
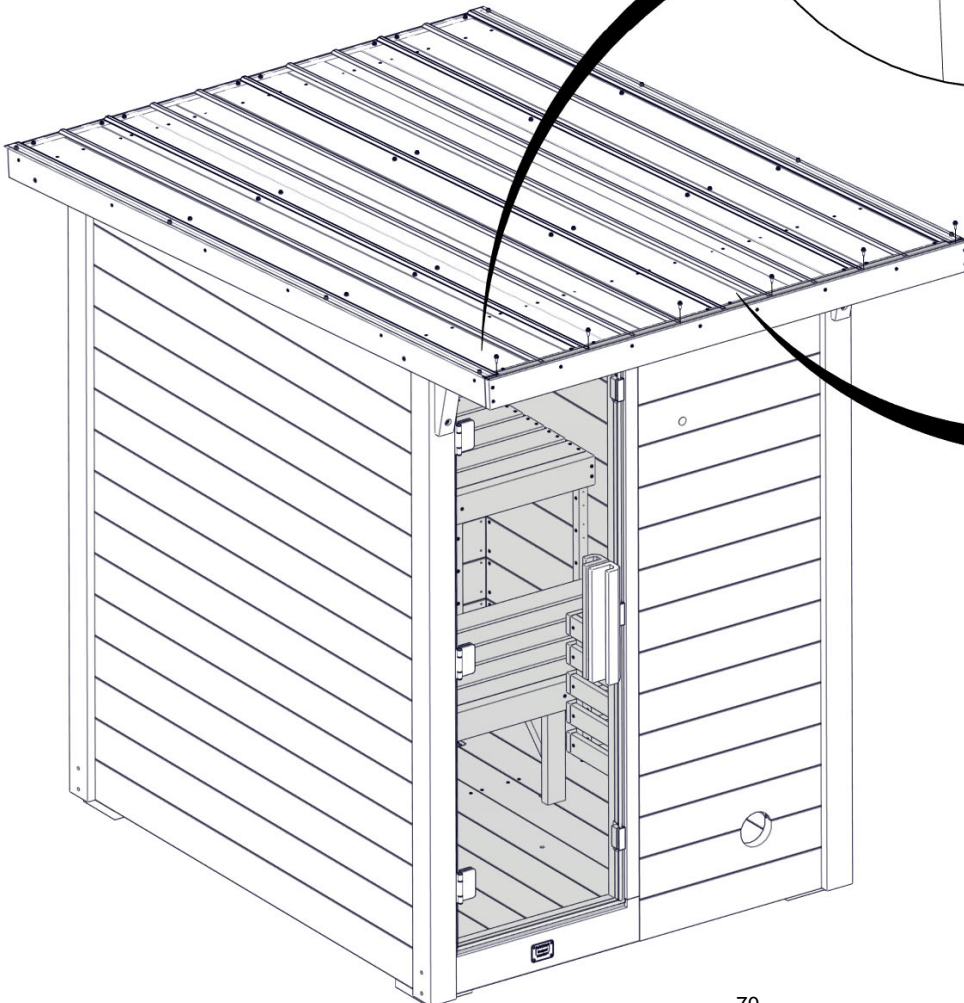
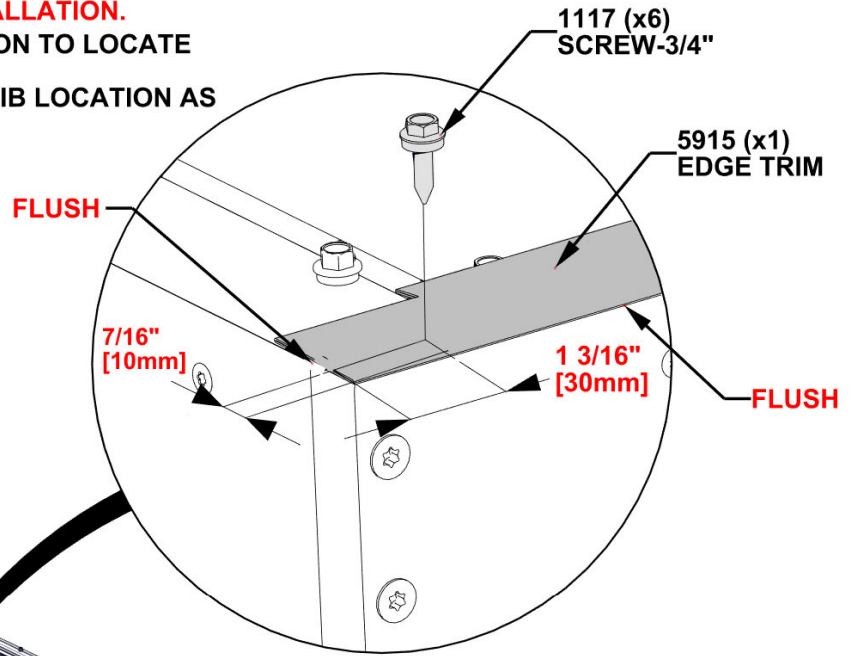
# STEP 52 - ROOF ASSEMBLY

QTY	PART NUMBER	DESCRIPTION
6	H101117	SCREW WOODGRIP 10-16x3/4" BLK



A4M05915 EDGE TRIM  
(x1)

- **WARNING: USE GLOVES WHEN HANDLING STEEL SHEETING.**
- **IMPORTANT: REMOVE BLUE FILM BEFORE INSTALLATION.**
- POSITION EDGE TRIM AS SHOWN. USE DIMENSION TO LOCATE AND ATTACH SCREW.
- SKIP NEXT RIB AND FASTEN AT EVERY OTHER RIB LOCATION AS SHOWN IN DETAIL.



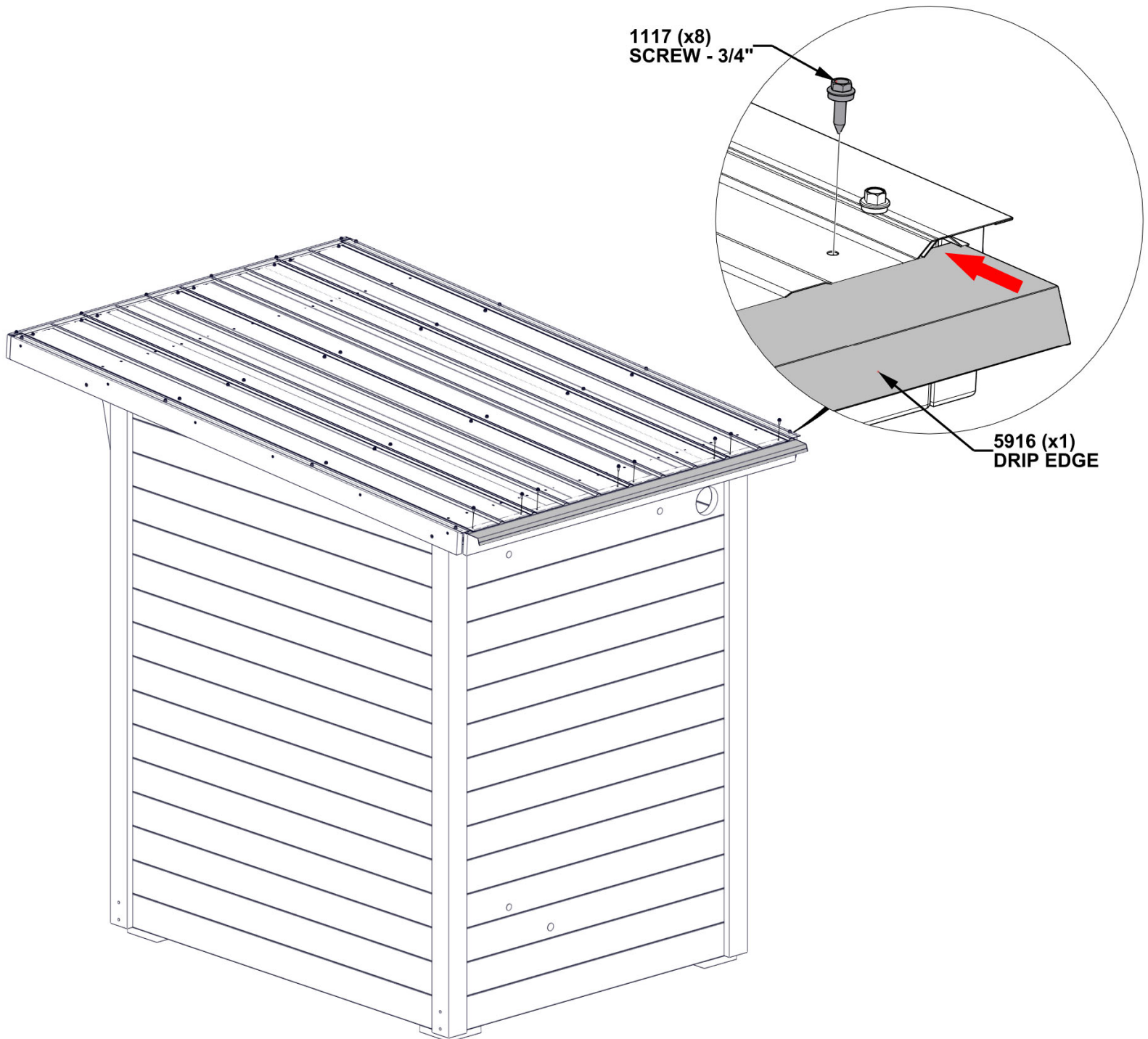
# STEP 53 - ROOF ASSEMBLY

QTY	PART NUMBER	DESCRIPTION
8	H101117	SCREW WOODGRIP 10-16x3/4" BLK



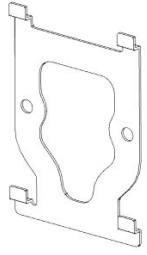
A4M05916 DRIP EDGE  
(x1)

- **WARNING: USE GLOVES WHEN HANDLING STEEL SHEETING.**
- **IMPORTANT: REMOVE BLUE FILM BEFORE INSTALLATION.**
- INSERT DRIP EDGE UNDER ROOF SHEETING AS SHOWN.
- PUSH IN EVENLY UNTIL DRIP EDGE CONTACTS THE BACK OF FASCIA BOARD AND ATTACH BACK ROW OF SCREWS.

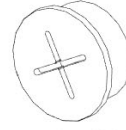


# STEP 54 - CONTROL PANEL

QTY	PART NUMBER	DESCRIPTION
2	H100627	SCREW PFH BLK



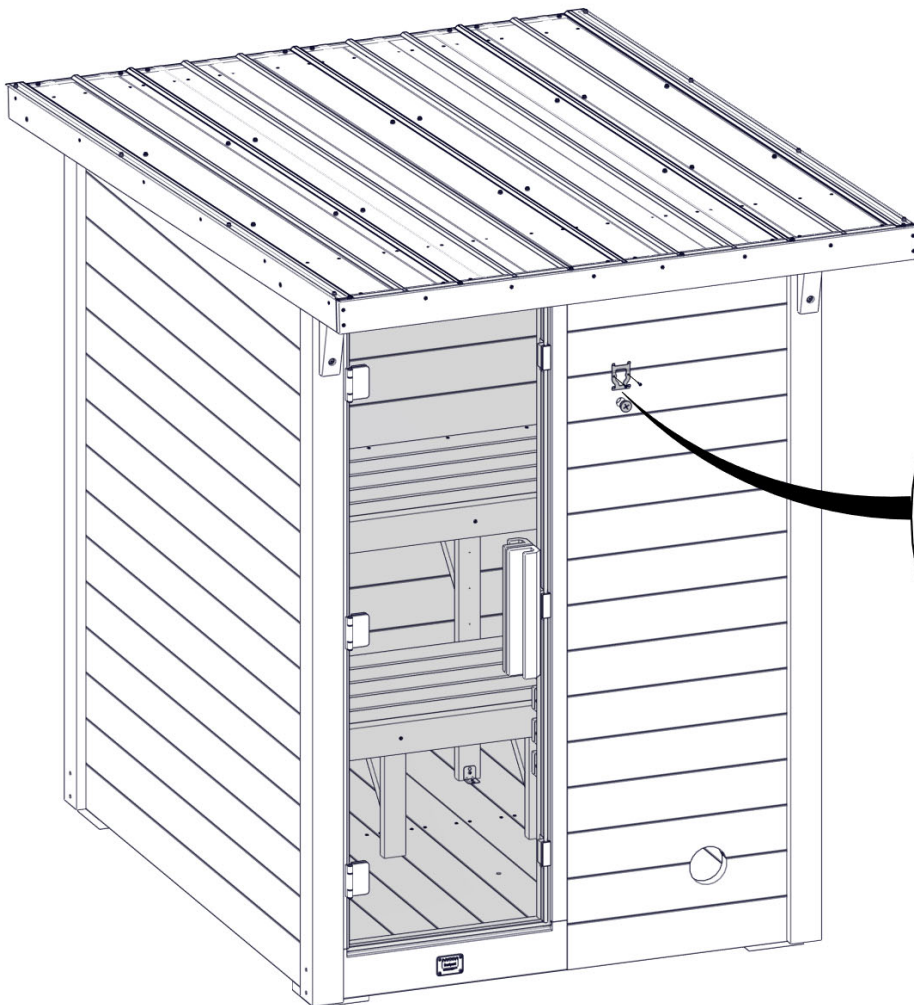
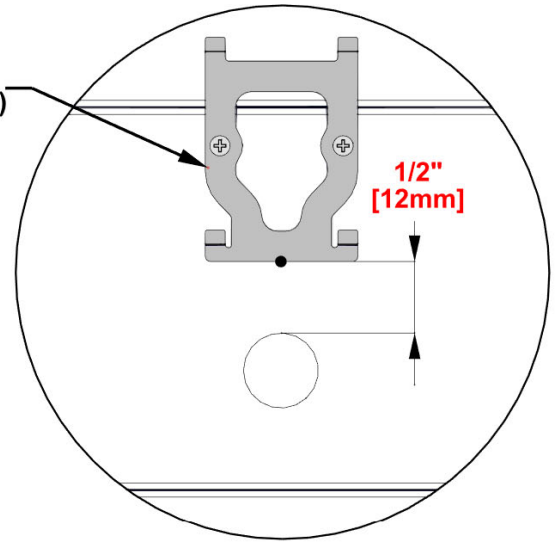
A4M05590-03 CONTROL PANEL MOUNTING BRACKET (x1)



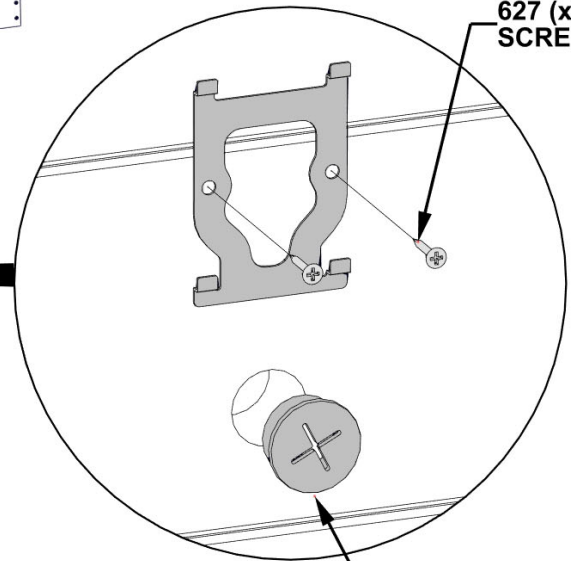
A6P01467 25mm SILICONE GROMMET (x1)

- CENTER MOUNTING BRACKET SLIGHTLY OVER CUTOUT IN WALL PANEL AND ATTACH AS SHOWN.
- INSERT GROMMET.

CONTROL PANEL MOUNTING BRACKET (x1)

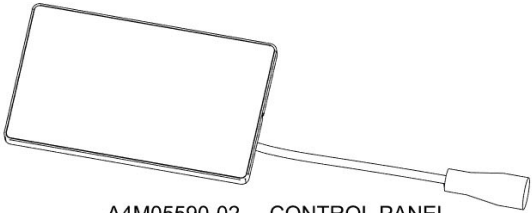


627 (x2) SCREW - 3/4"



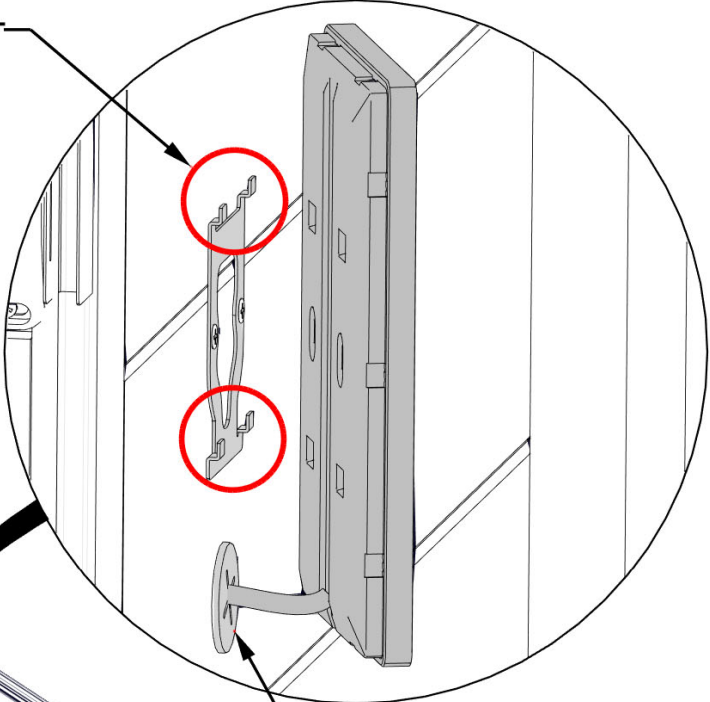
1467 (x1) GROMMET - 25mm

# STEP 55 - CONTROL PANEL

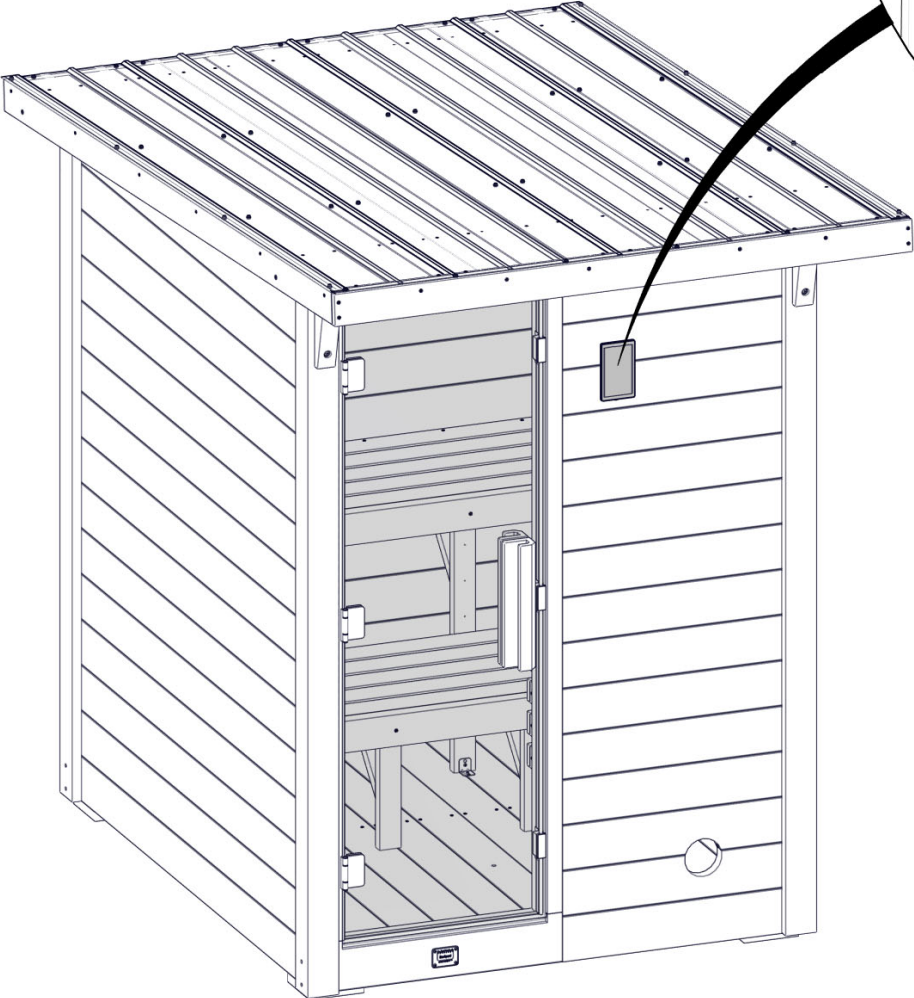


A4M05590-02 CONTROL PANEL  
(x1)

HANG CONTROL PANEL ON  
HOOKS ON CONTROL PANEL  
BRACKET AND SNAP INTO  
PLACE

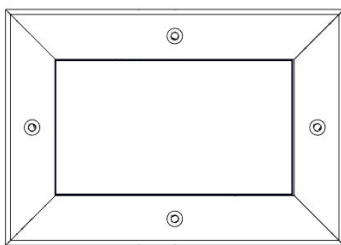


RUN CORD THROUGH  
GROMMET



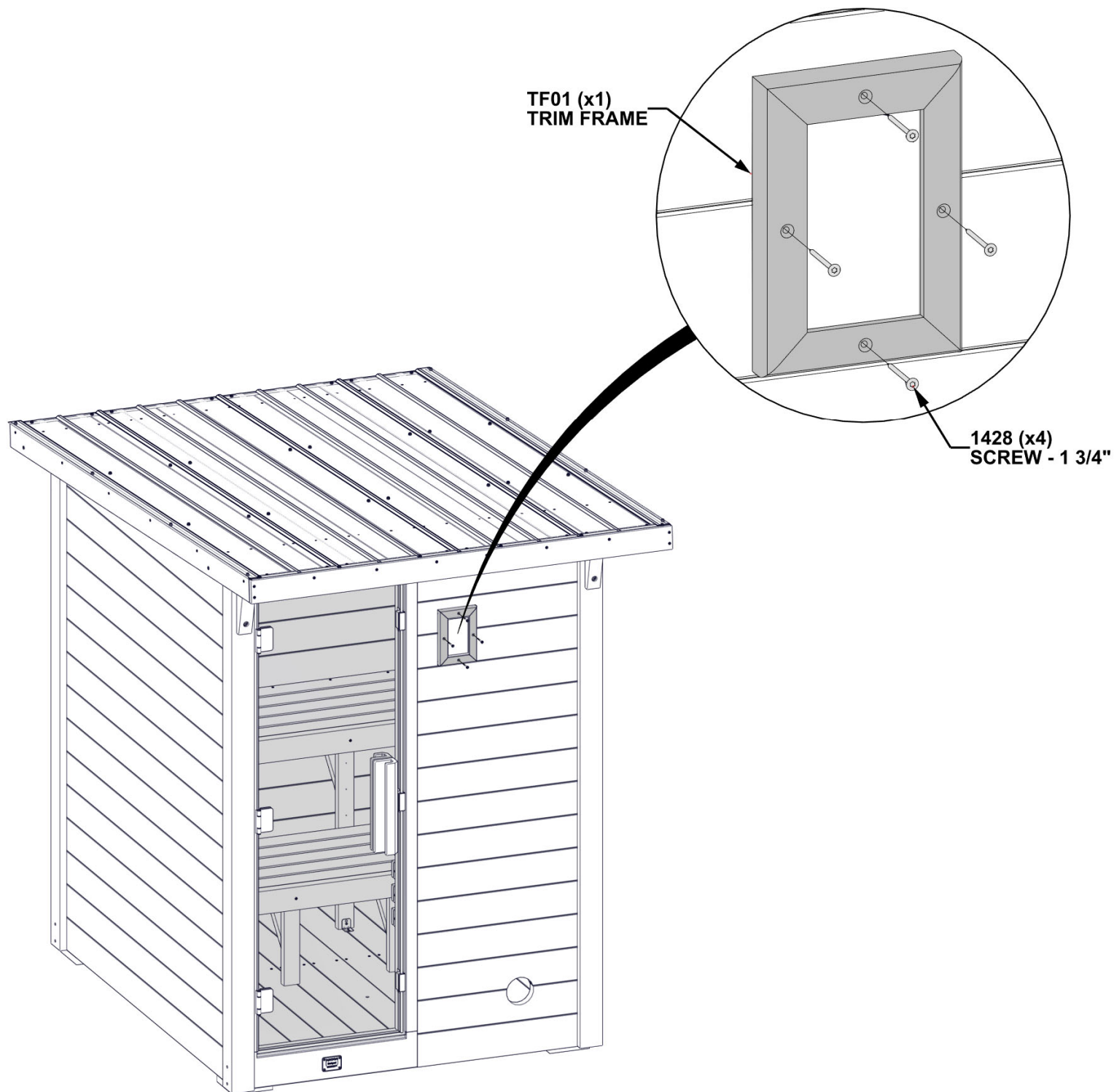
# STEP 56 - CONTROL PANEL

QTY	PART NUMBER	DESCRIPTION
4	H101428	SCREW TFH 8X1 3/4 SS-BLK



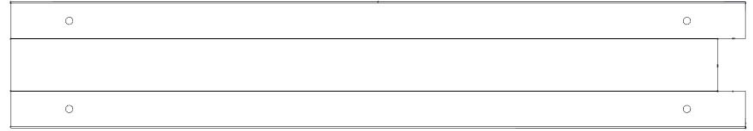
TF01 TRIM FRAME - W2A04797  
(x1) 7/8"x5 9/16"x8 1/16" (22x142x204)

- PLACE TRIM FRAME ON CONTROL PANEL ENSURING IT SEATS AROUND THE CONTROL PANEL AND ATTACH AS SHOWN.



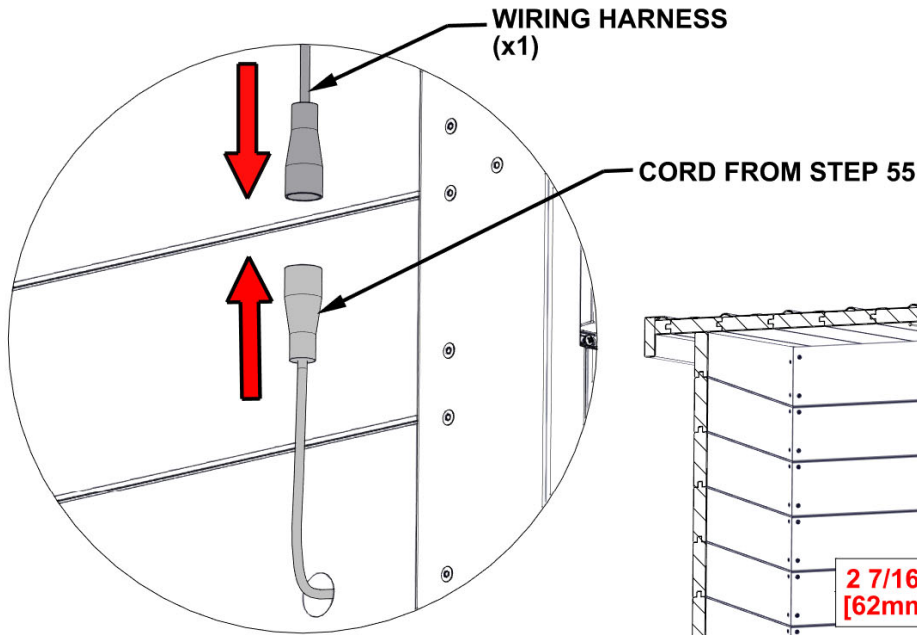
# STEP 57 - CONTROL PANEL

QTY	PART NUMBER	DESCRIPTION
4	H101429	SCREW TFH 8X2 SS-BLK

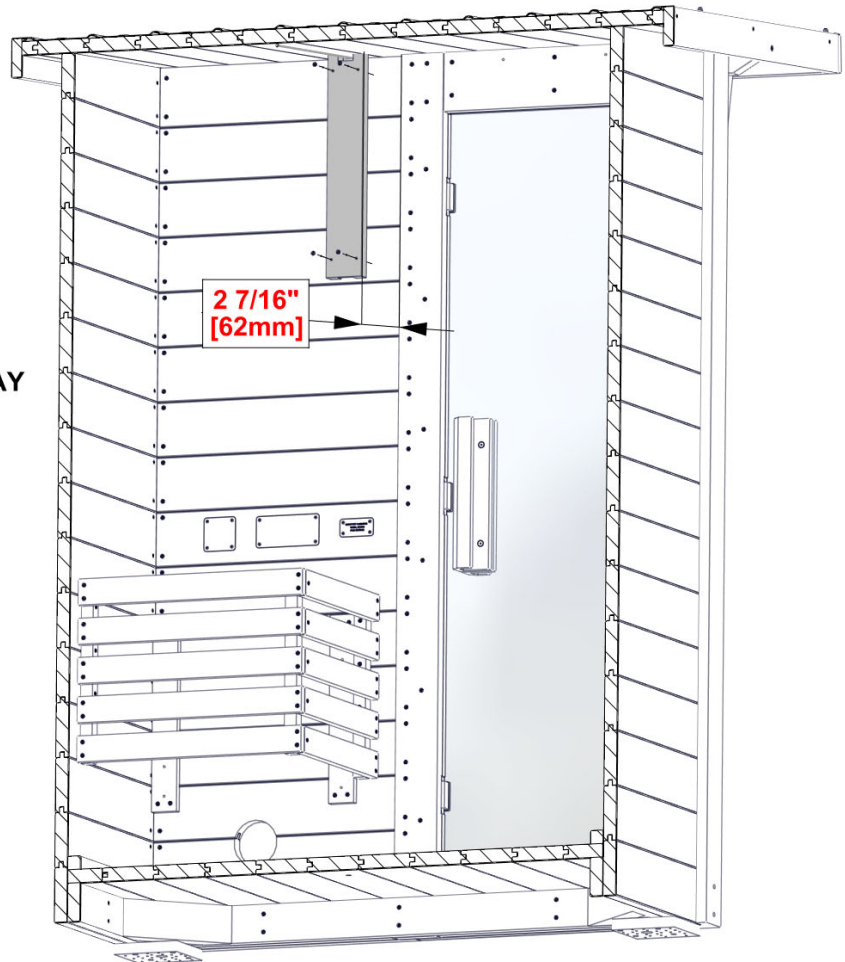
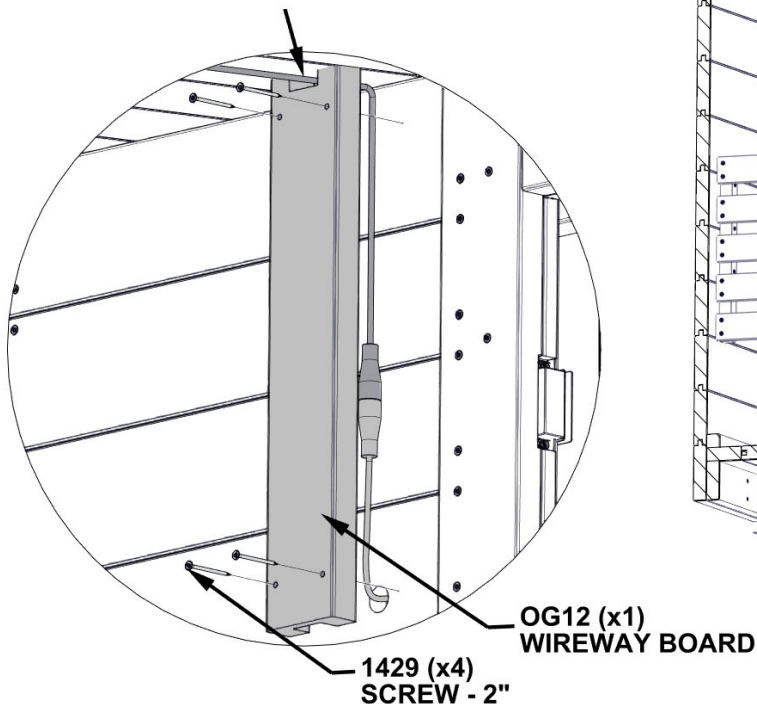


OG12 WIREWAY BOARD - W4L22389  
(x1) 1 3/16"x3 3/8"x19 3/4" (30x86x501)

- CONNECT WIRING HARNESS TO CORD FROM STEP 55
- HOLD CONNECTED CORDS UP TO THE TOP OF THE SAUNA, CENTER WIREWAY BOARD OVER HOLE IN FRONT WALL, AND ATTACH BOARD AS SHOWN.
- TAKE CAUTION WHEN ATTACHING SCREWS TO PREVENT PINCHING OR PENETRATING CORDS.



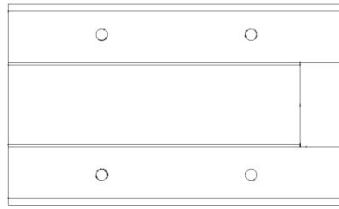
ENSURE NOTCH IS ORIENTED TO TOP AND WIREWAY BOARD IS POSITIONED AGAINST THE CEILING



BACK OF SAUNA HIDDEN FOR DETAIL

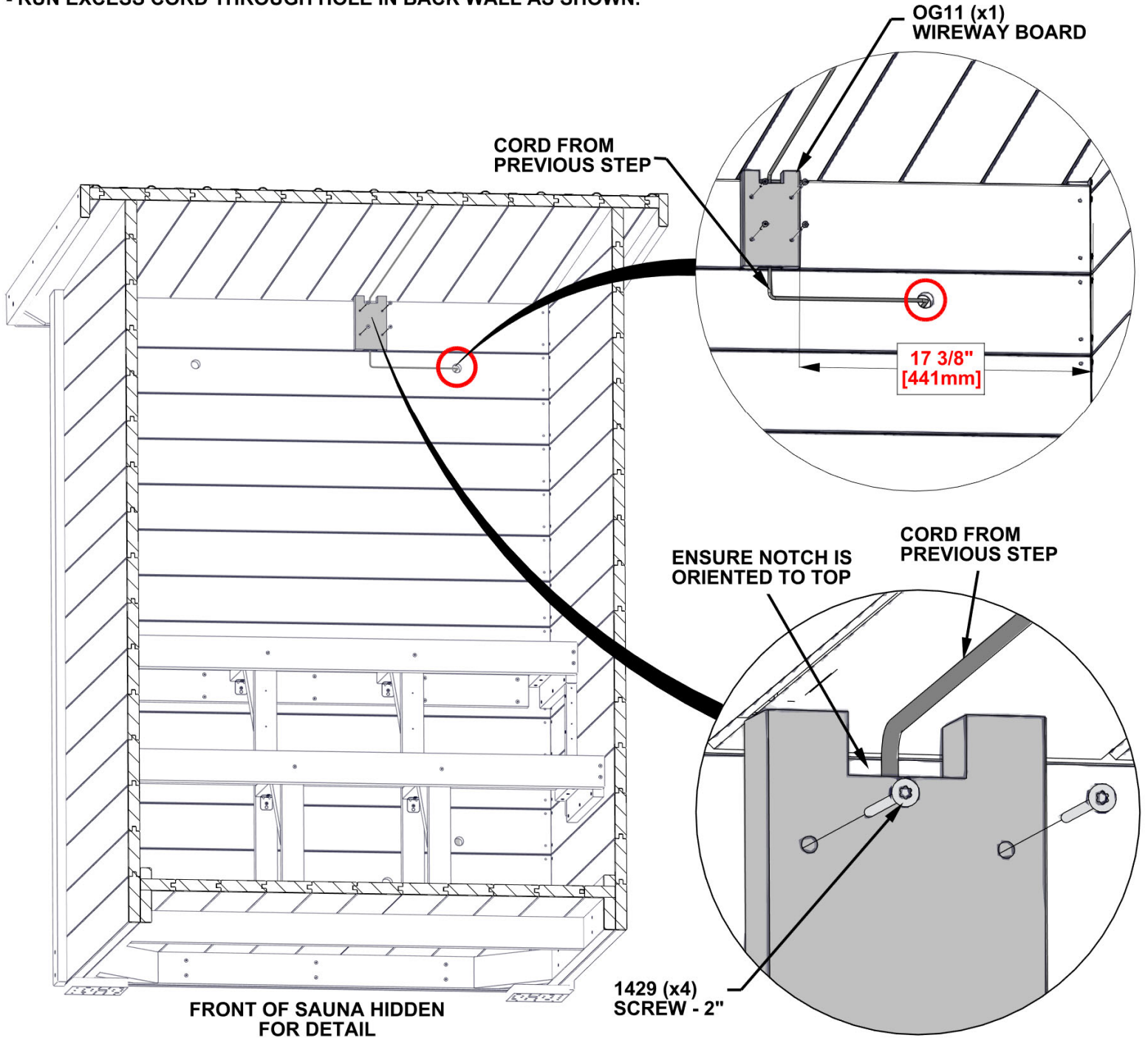
# STEP 58 - CONTROL PANEL

QTY	PART NUMBER	DESCRIPTION
4	H101429	SCREW TFH 8X2 SS-BLK



OG11 WIREWAY BOARD - W4L22388  
(x1) 1 3/16"x3 3/8"x5 11/16" (30x86x144)

- RUN CORD FROM PREVIOUS STEP STRAIGHT BACK ALONG THE CEILING AND USE DIMENSION SHOWN TO LOCATE AND ATTACH OG11.
- RUN EXCESS CORD THROUGH HOLE IN BACK WALL AS SHOWN.

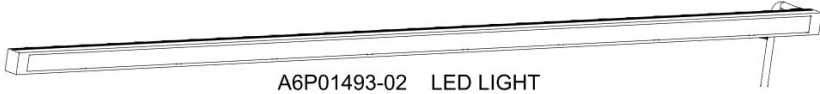


# STEP 59 - LED LIGHT

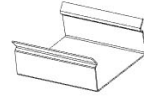
QTY	PART NUMBER	DESCRIPTION
2	H101437	SCREW TWH 8x5/8 SS-BLK



OG13 LIGHT MOUNT - W4L22391  
(x1) 30x3 3/8"x35 7/16" (30x86x900)

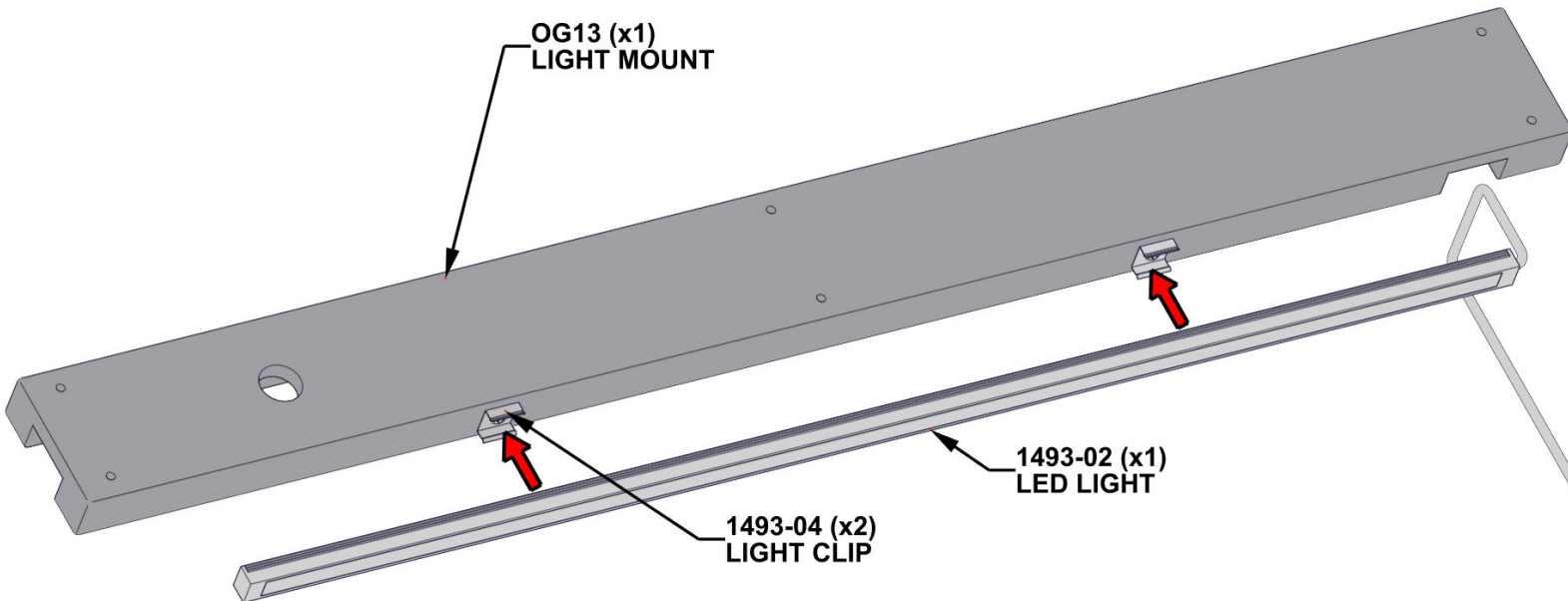
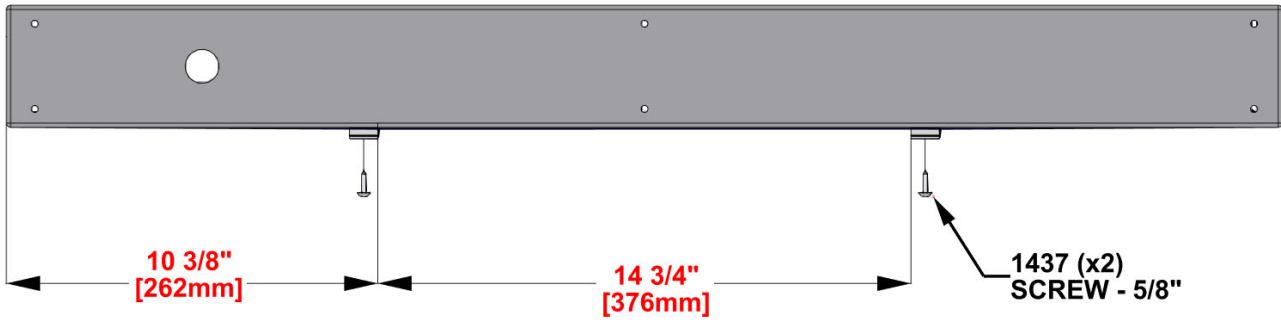


A6P01493-02 LED LIGHT  
(x1)

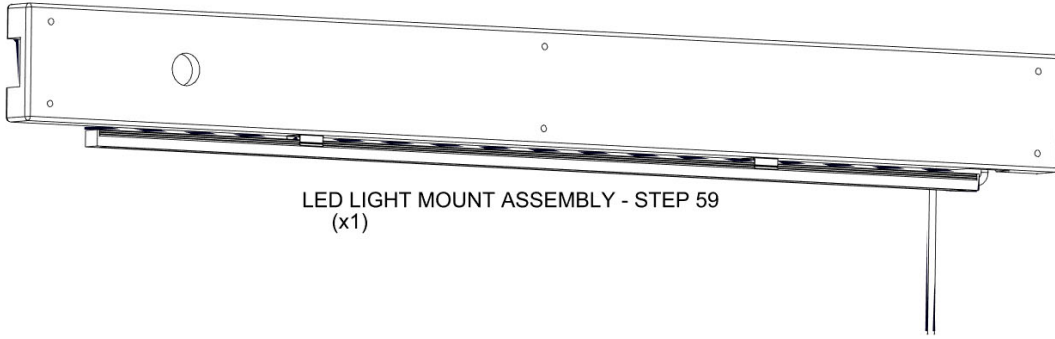


A6P01493-04 LIGHT CLIP  
(x2)

- ATTACH LIGHT CLIPS IN APPROXIMATE LOCATIONS SHOWN.
- USE DIMENSIONS TO LOCATE CLIPS.
- SNAP LED LIGHT INTO CLIPS.



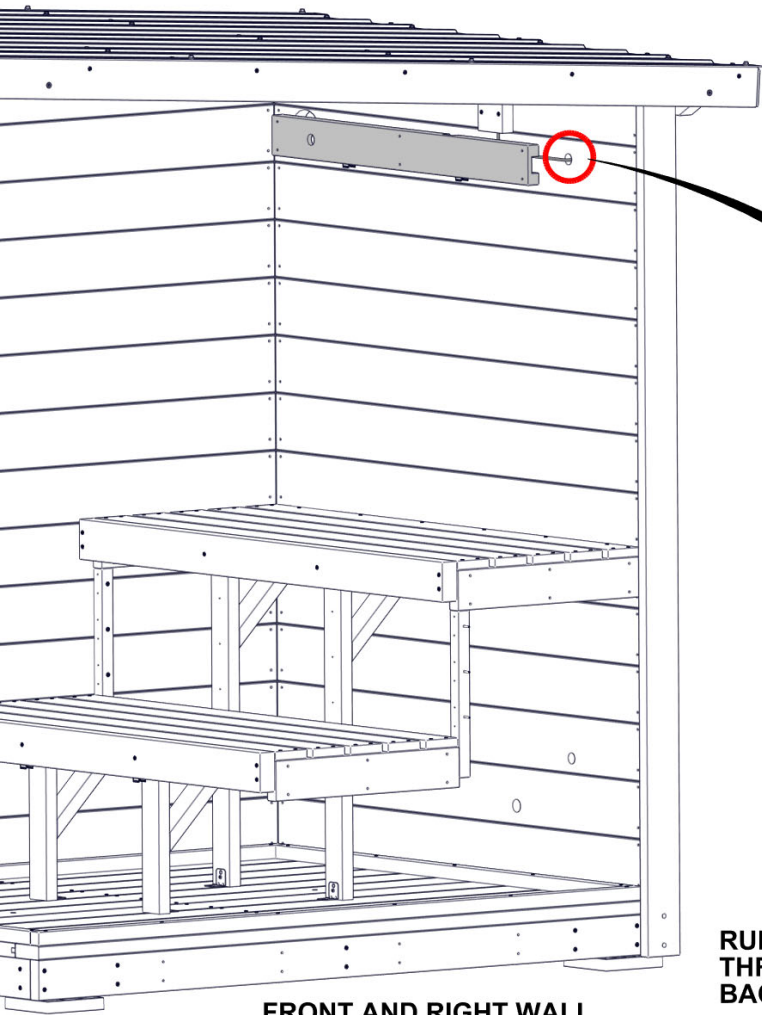
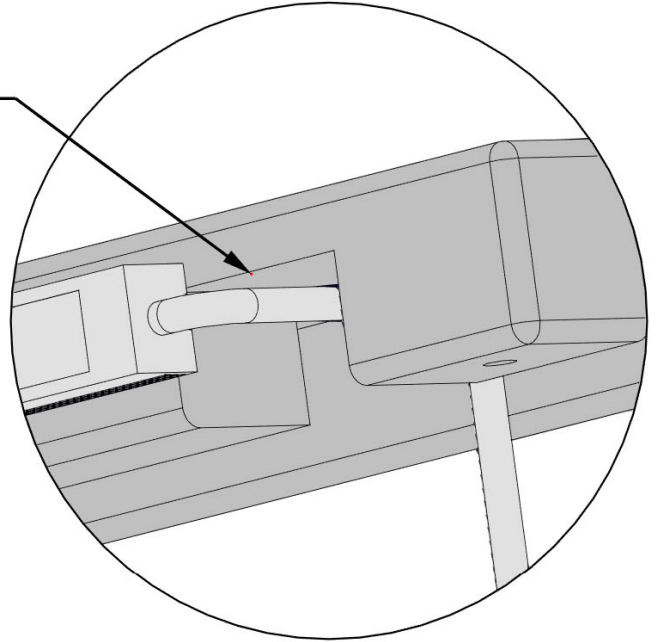
# STEP 60 - CONTROL PANEL



LED LIGHT MOUNT ASSEMBLY - STEP 59  
(x1)

- RUN WIRE FROM LED LIGHT THROUGH THE LED LIGHT MOUNT ASSEMBLY NOTCH LOCATED AT THE BOTTOM AND THROUGH THE HOLE IN THE BACK WALL.

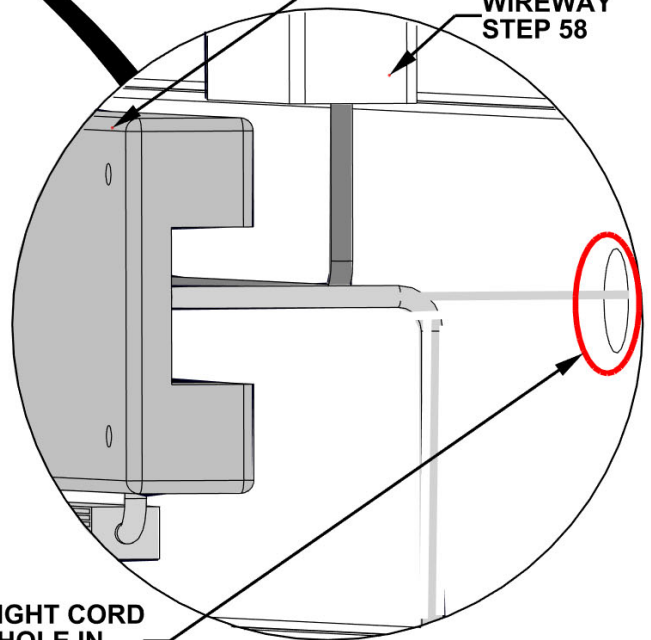
RUN CORD THROUGH NOTCH IN BOTTOM OF LED LIGHT MOUNT ASSEMBLY



FRONT AND RIGHT WALL  
HIDDEN FOR DETAIL

LED LIGHT MOUNT  
ASSEMBLY - STEP 59

WIREWAY  
STEP 58

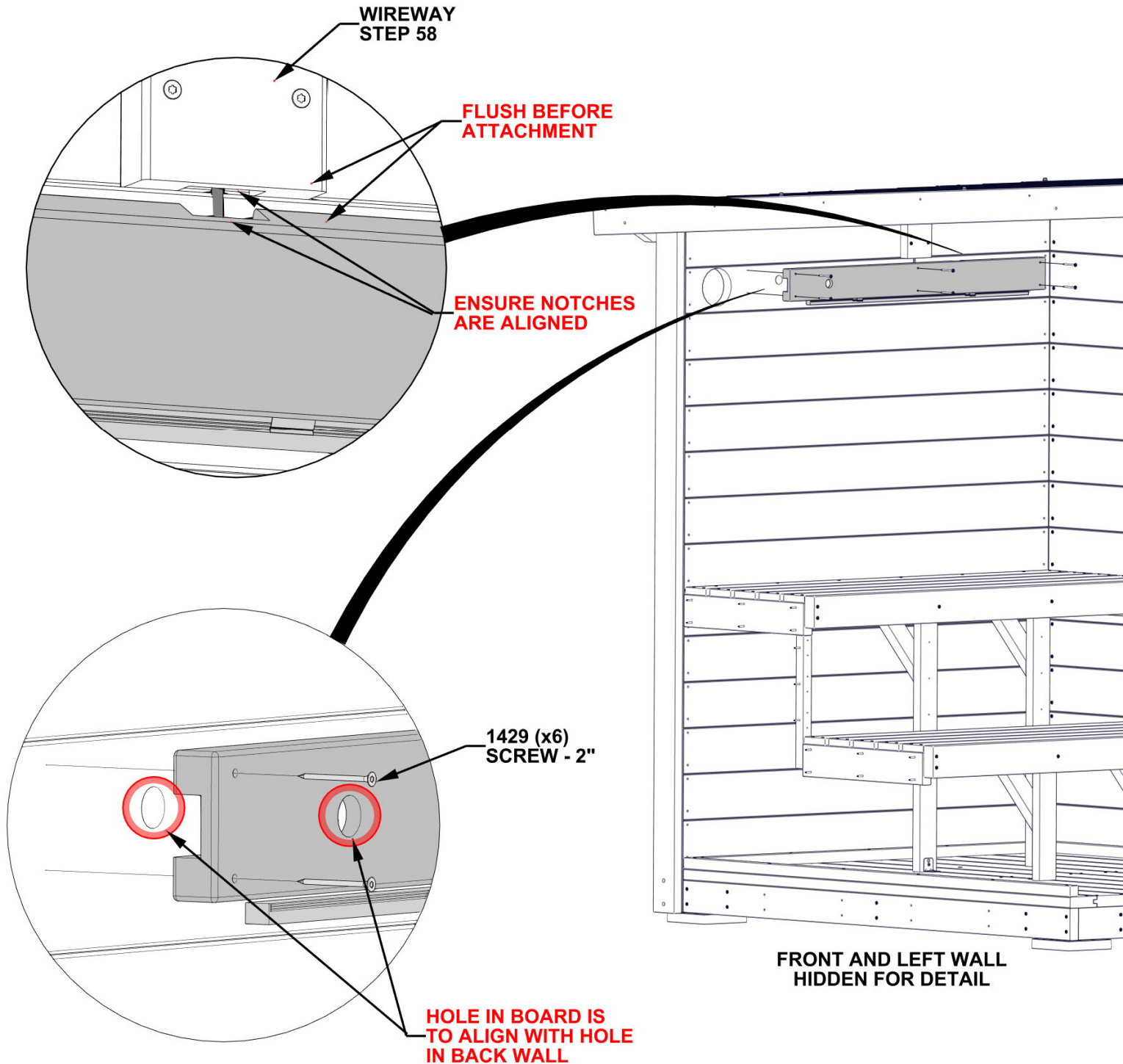


RUN LED LIGHT CORD  
THROUGH HOLE IN  
BACK WALL

# STEP 61 - CONTROL PANEL

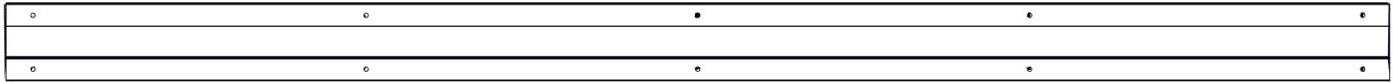
QTY	PART NUMBER	DESCRIPTION
6	H101429	SCREW TFH 8X2 SS-BLK

- ALIGN HOLE IN LED LIGHT MOUNT ASSEMBLY FROM STEP 59 TO THE HOLE PROVIDED IN THE WALL.
- ENSURE THE NOTCH IN THE LED LIGHT MOUNT ASSEMBLY ALIGNS WITH THE WIREWAY INSTALLED IN STEP 58.
- POSITION LED LIGHT MOUNT ASSEMBLY SO THAT IT IS FLUSH WITH THE BOTTOM OF THE WIREWAY FROM STEP 58.
- CHECK THAT LED LIGHT MOUNT ASSEMBLY IS LEVEL AND ATTACH AS SHOWN.
- TAKE CAUTION WHEN ATTACHING SCREWS TO PREVENT PINCHING OR PENETRATING CORDS.



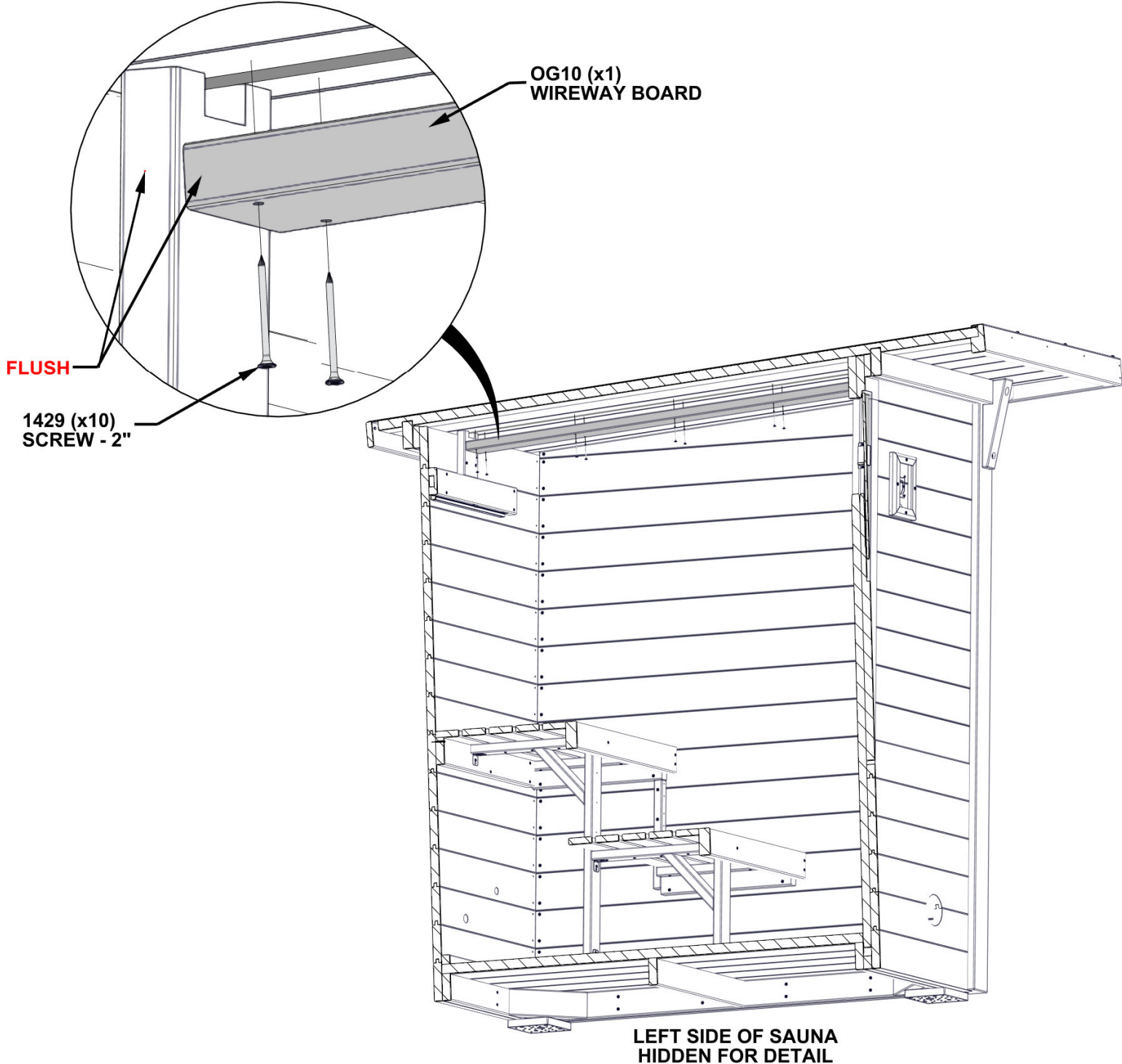
# STEP 62 - CONTROL PANEL

QTY	PART NUMBER	DESCRIPTION
10	H101429	SCREW TFH 8X2 SS-BLK



OG10 WIREWAY BOARD - W4L22387  
(x1) 1 3/16"x3 3/8"x60 3/4" (30x86x1543)

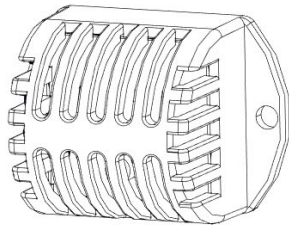
- ENSURE CORD RESTS IN GROOVE IN THE TOP OF THE WIREWAY BOARD AS BOARD IS PUT INTO POSITION.
- ALIGN WITH PREVIOUSLY INSTALLED WIREWAY BOARDS ON THE FRONT AND BACK WALLS.
- ATTACH AS SHOWN.
- TAKE CAUTION WHEN ATTACHING SCREWS TO PREVENT PINCHING OR PENETRATING CORDS.



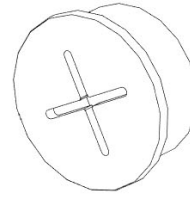
LEFT SIDE OF SAUNA  
HIDDEN FOR DETAIL

# STEP 63 - TEMPERATURE SENSOR

QTY	PART NUMBER	DESCRIPTION
2	H101440	SCREW TWH 8x1 SS-BLK

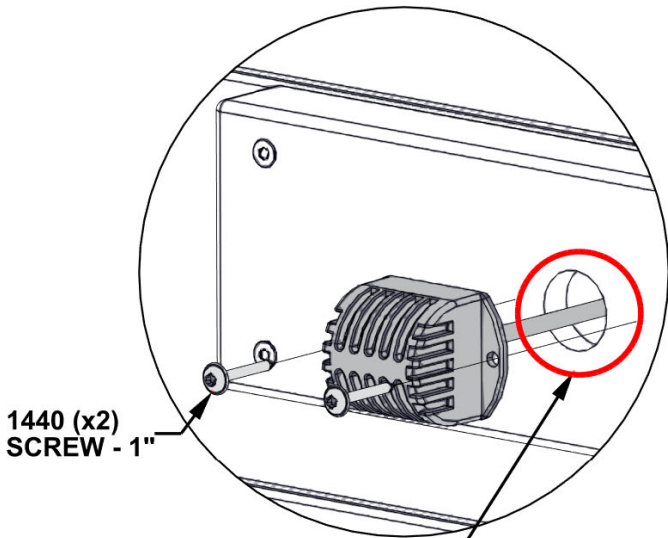


A4M05590-08 TEMPERATURE SENSOR (x1)



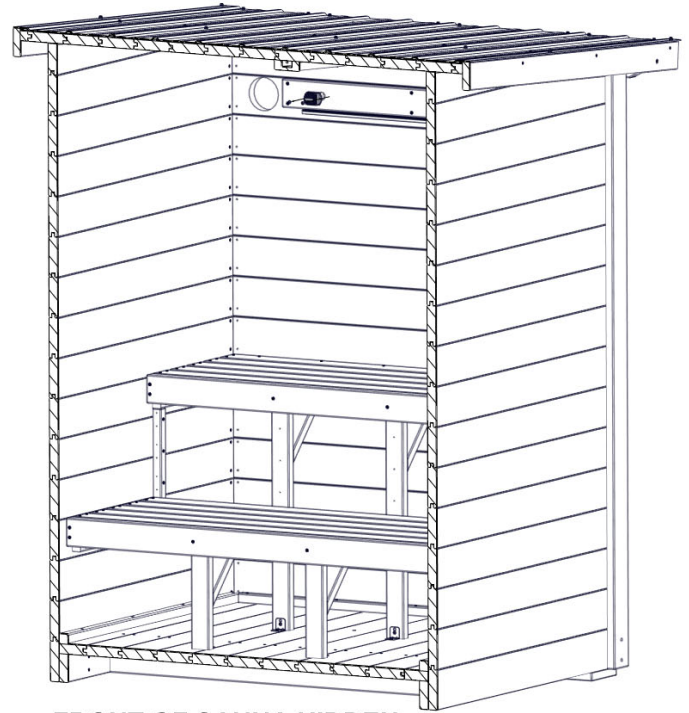
A6P01467 25mm SILICONE GROMMET (x1)

- RUN CORD FOR TEMPERATURE SENSOR THROUGH HOLE, AND CAREFULLY LET HANG UNTIL IT IS ATTACHED LATER.
- SLIDE GROMMET OVER CORDS AND INSERT INTO THE HOLE CUTOUT IN BACK WALL.

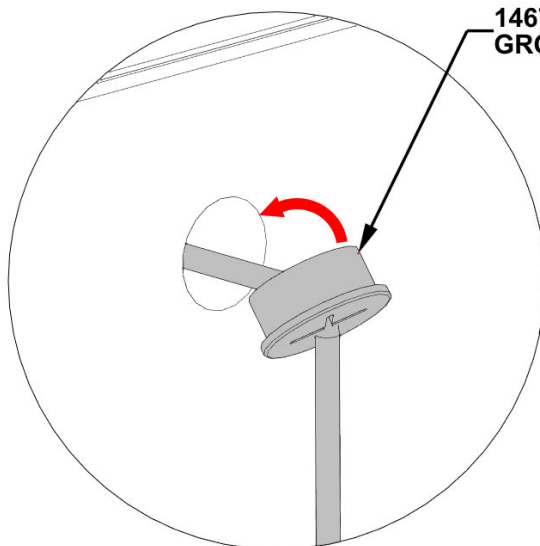


1440 (x2) SCREW - 1"

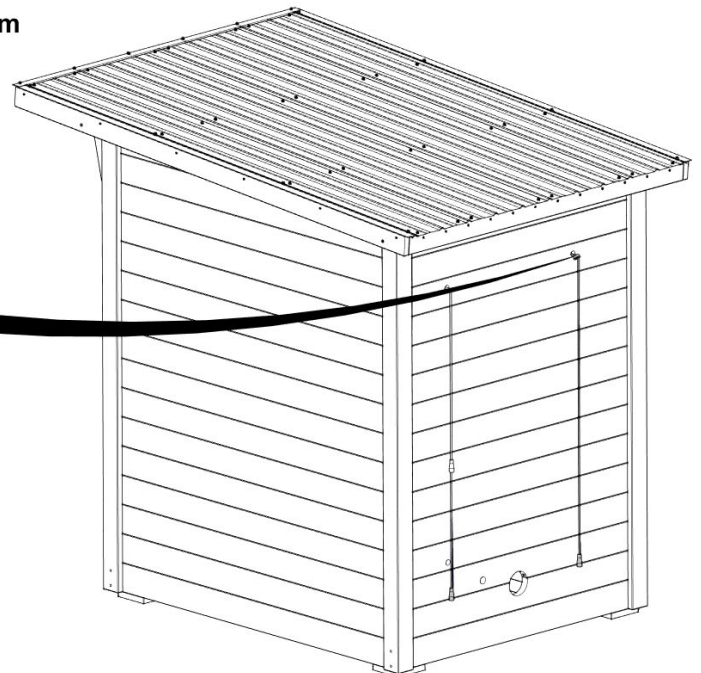
RUN CORD THROUGH HOLE AND OUT OF THE BACK OF THE SAUNA



FRONT OF SAUNA HIDDEN FOR DETAIL

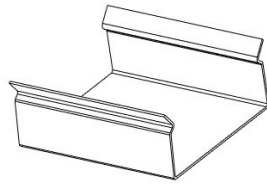


1467 (x1) GROMMET - 25mm



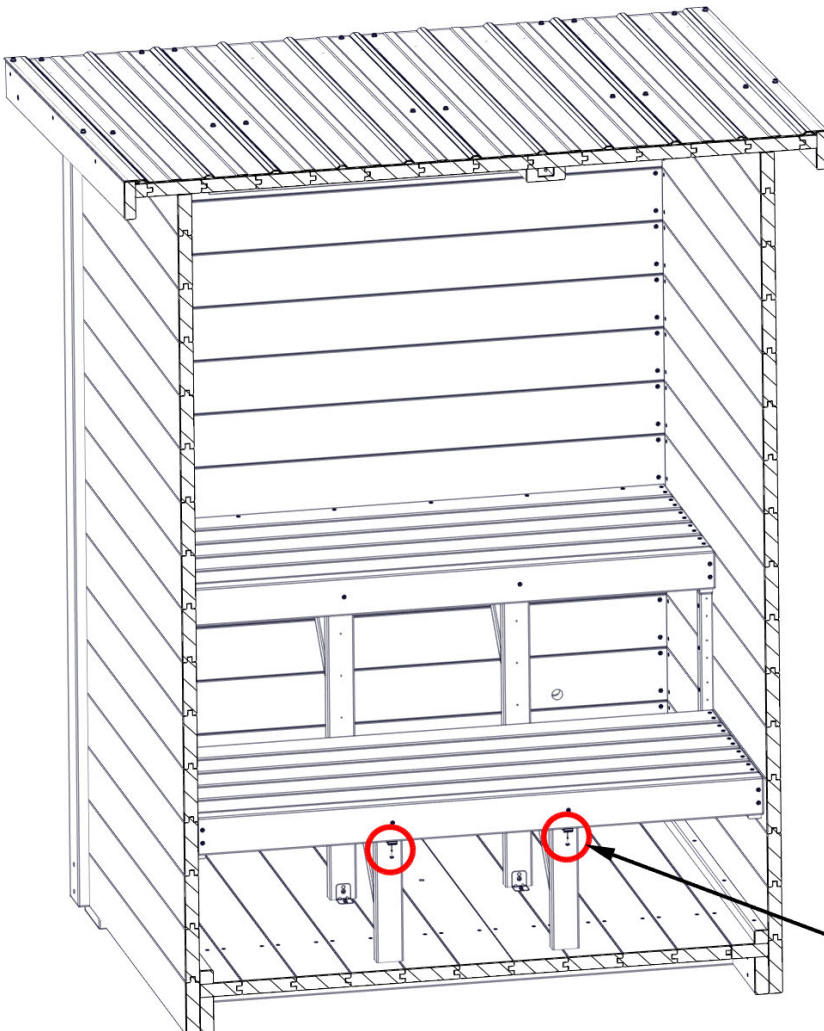
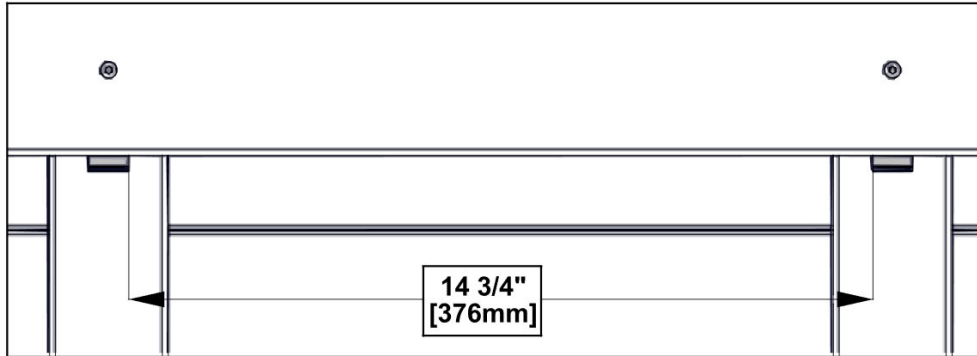
# STEP 64 - LED LIGHTS

QTY	PART NUMBER	DESCRIPTION
2	H101437	SCREW TWH 8x5/8 SS-BLK

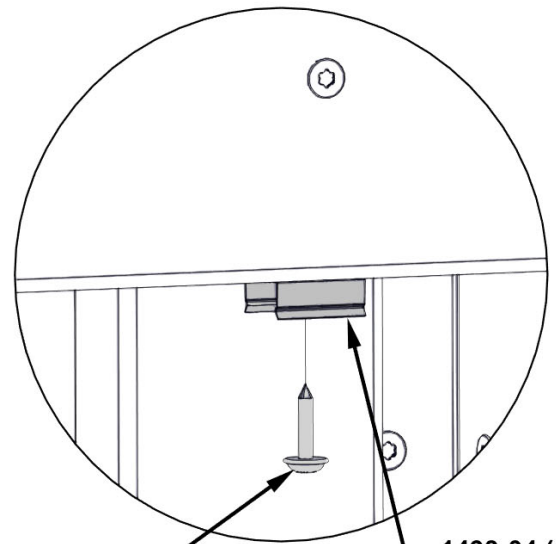


A6P01493-04 LIGHT CLIP  
(x2)

- ATTACH LIGHT CLIPS IN APPROXIMATE LOCATION SHOWN.
- USE DIMENSIONS GIVEN BETWEEN LIGHT CLIPS AND CENTER ON BOARDS.



FRONT OF SAUNA HIDDEN FOR DETAIL

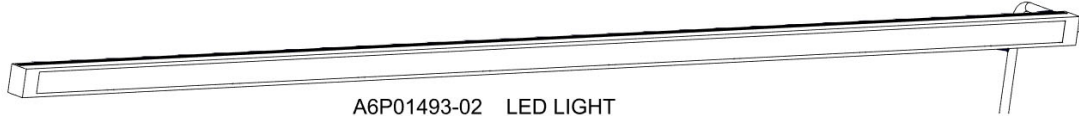


1437 (x2)  
SCREW - 5/8"

1493-04 (x2)  
LIGHT CLIP

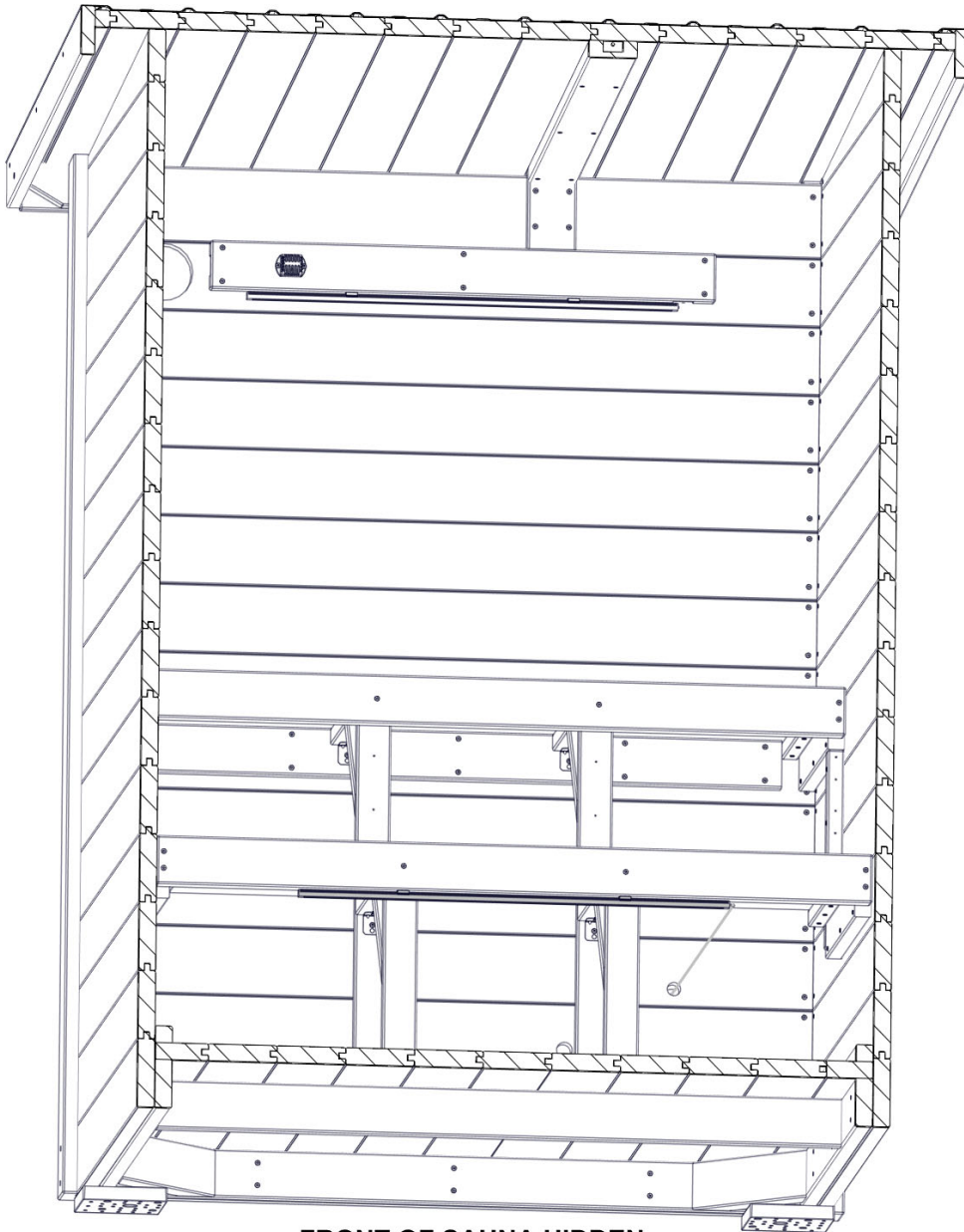
ATTACH LIGHT CLIPS TO  
BOTTOM OF BENCH TRIM

# STEP 65 - LED LIGHTS

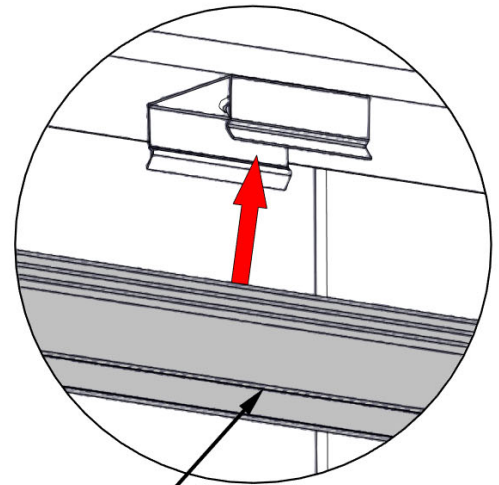
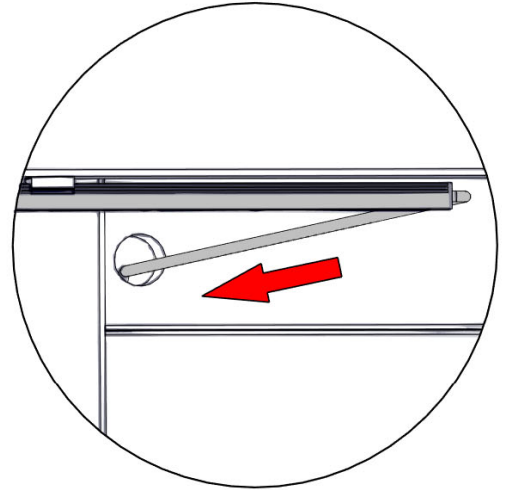


A6P01493-02 LED LIGHT  
(x1)

- BEFORE CLIPPING LIGHT INTO PLACE, RUN CORDS THROUGH HOLE IN BACK WALL.
- SNAP LED LIGHT INTO LIGHT CLIPS.



FRONT OF SAUNA HIDDEN  
FOR DETAIL



1493-02 (x1)  
LED LIGHT

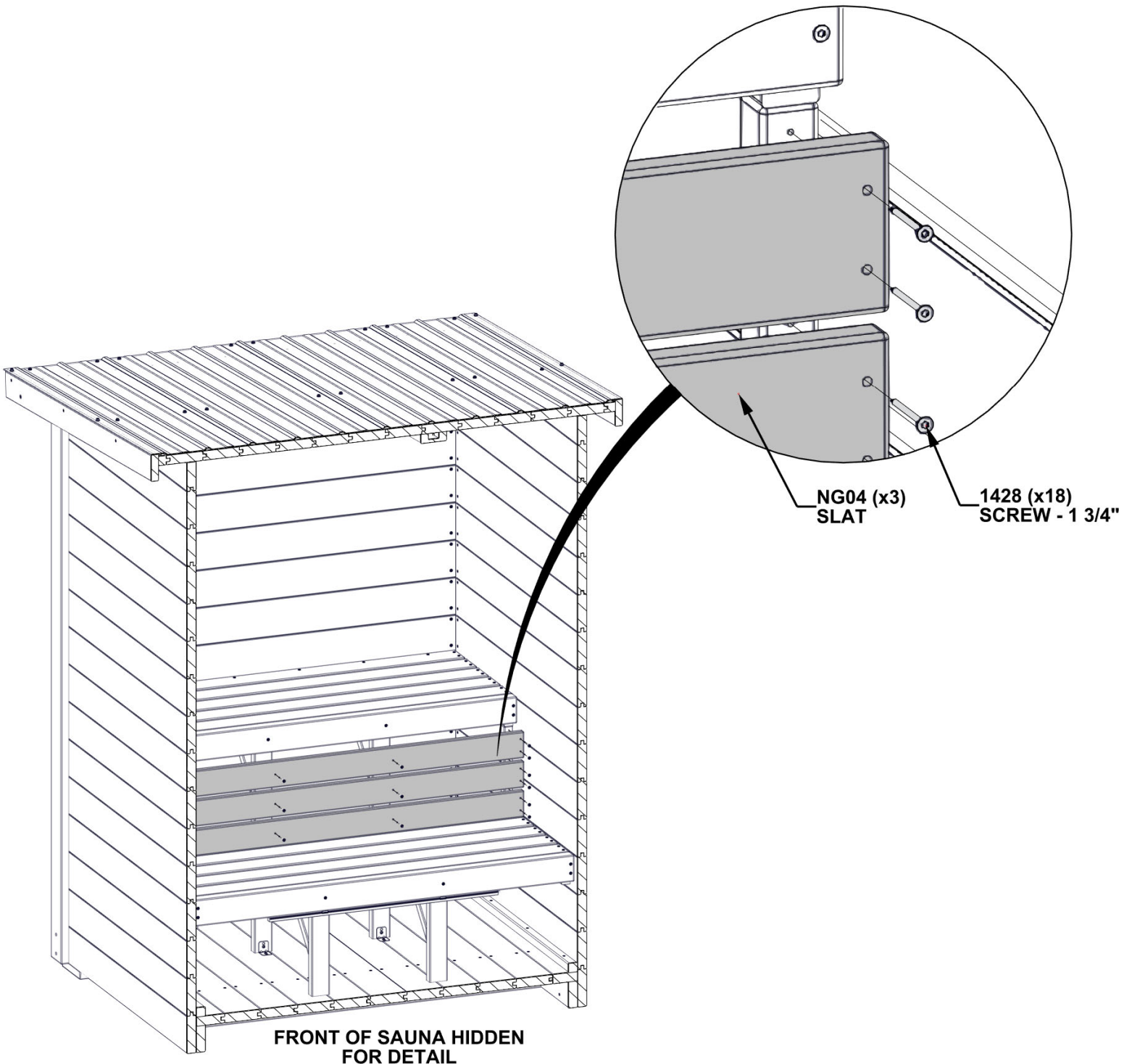
# STEP 66 - BENCH ASSEMBLY

QTY	PART NUMBER	DESCRIPTION
18	H101428	SCREW TFH 8X1 3/4 SS-BLK

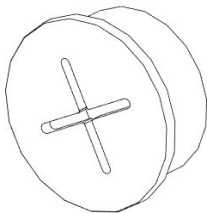


NG04 SLAT - W4L22385  
(x3) 13/16"x3 3/8"x50 1/4" (20x86x1276)

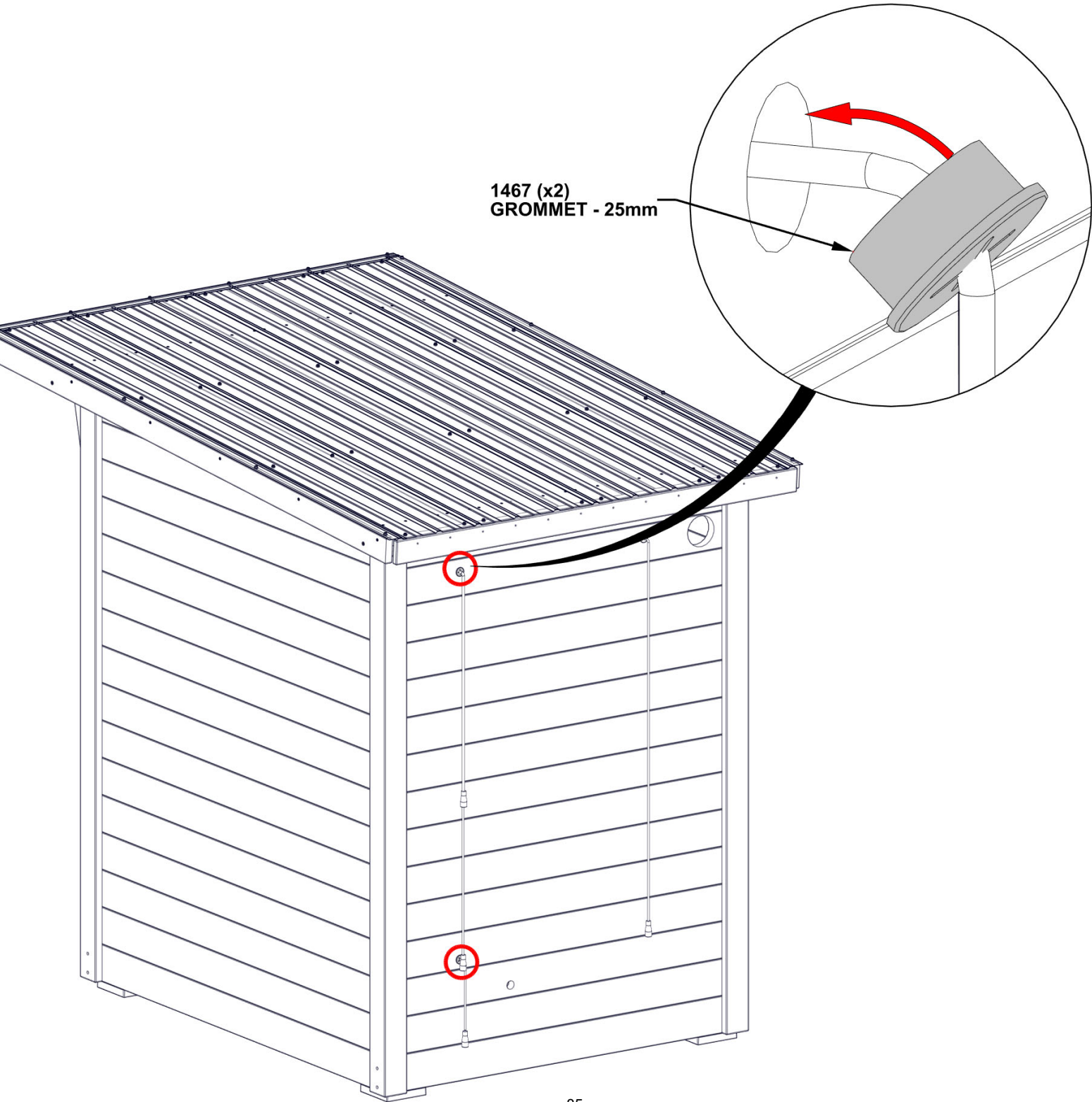
- ALIGN THROUGH HOLES IN SLATS WITH PILOT HOLES IN CLEATS AND UPRIGHTS.



# STEP 67 - GROMMET INSTALLATION

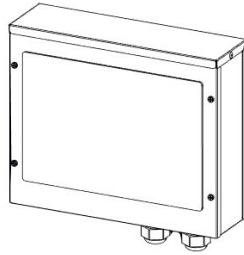


A6P01467 25mm SILICONE GROMMET  
(x2)



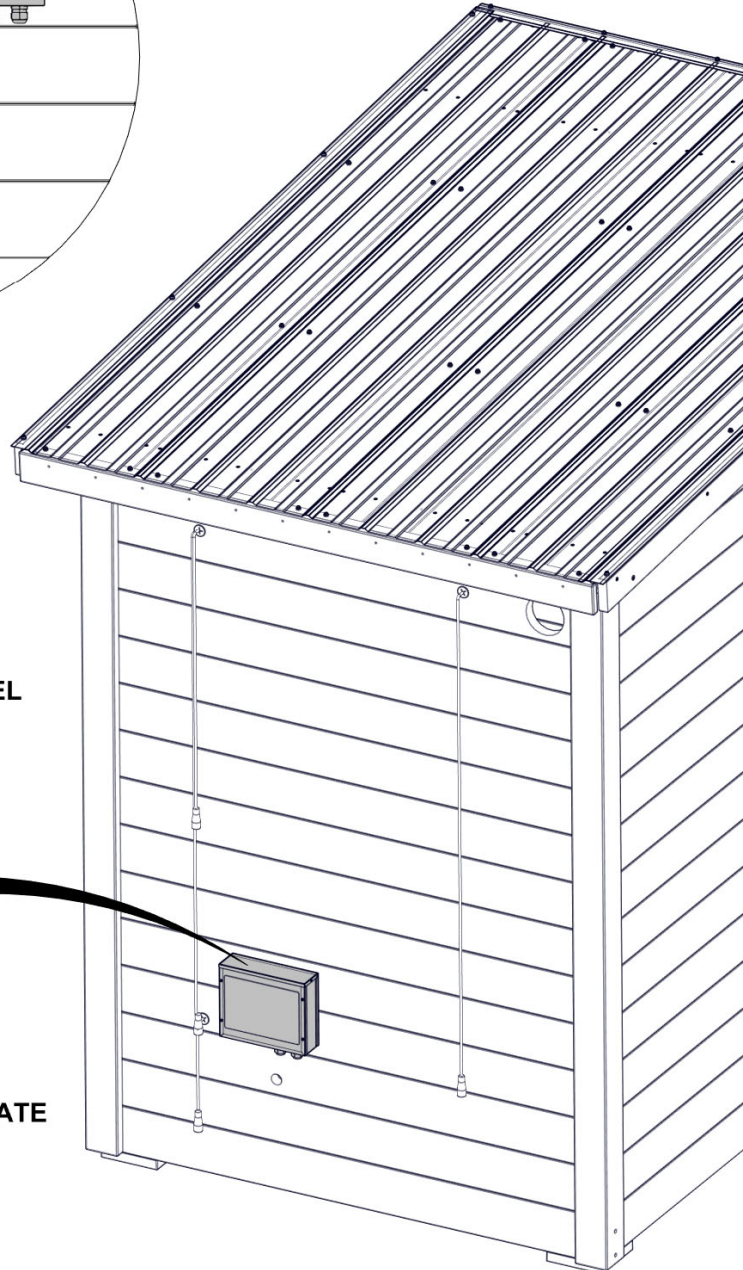
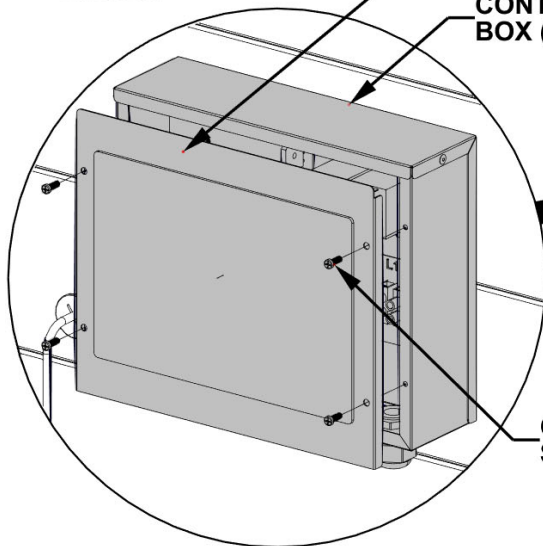
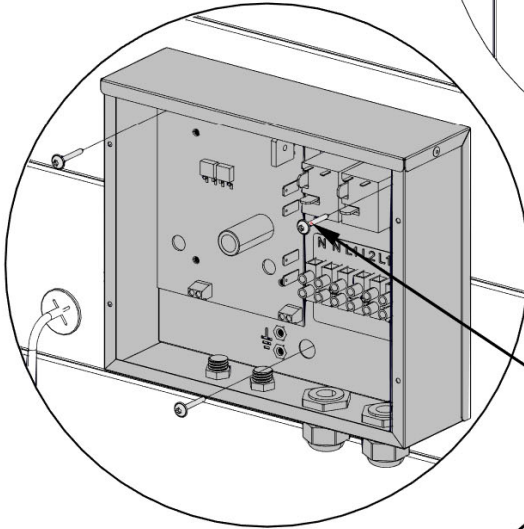
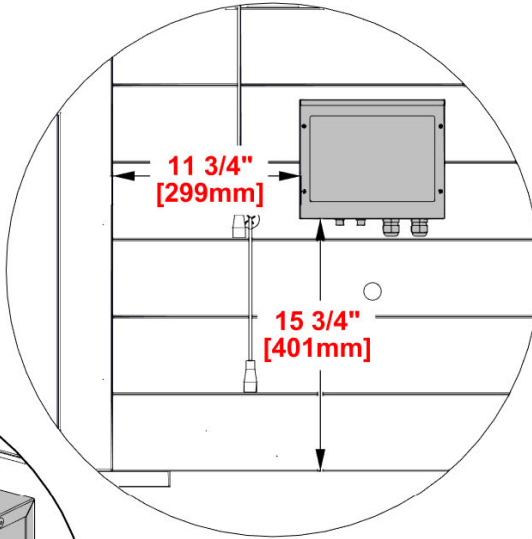
# STEP 68 - CONTROL PANEL

QTY	PART NUMBER	DESCRIPTION
3	H101440	SCREW TWH 8x1 SS-BLK



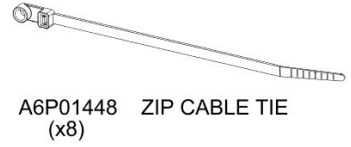
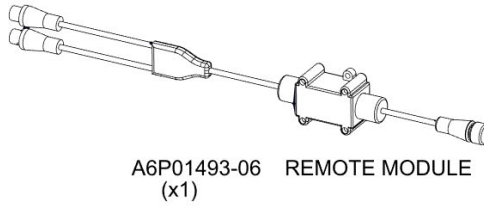
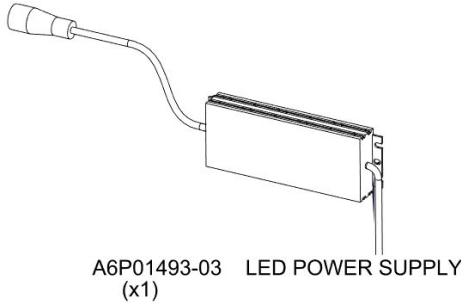
A4M05590-01 CONTROL PANEL BOX  
(x1)

- REMOVE COVER PLATE FROM CONTROL PANEL BOX.
- USE DIMENSIONS TO LOCATE CONTROL PANEL BOX AND ATTACH AS SHOWN.
- REATTACH COVER PLATE.

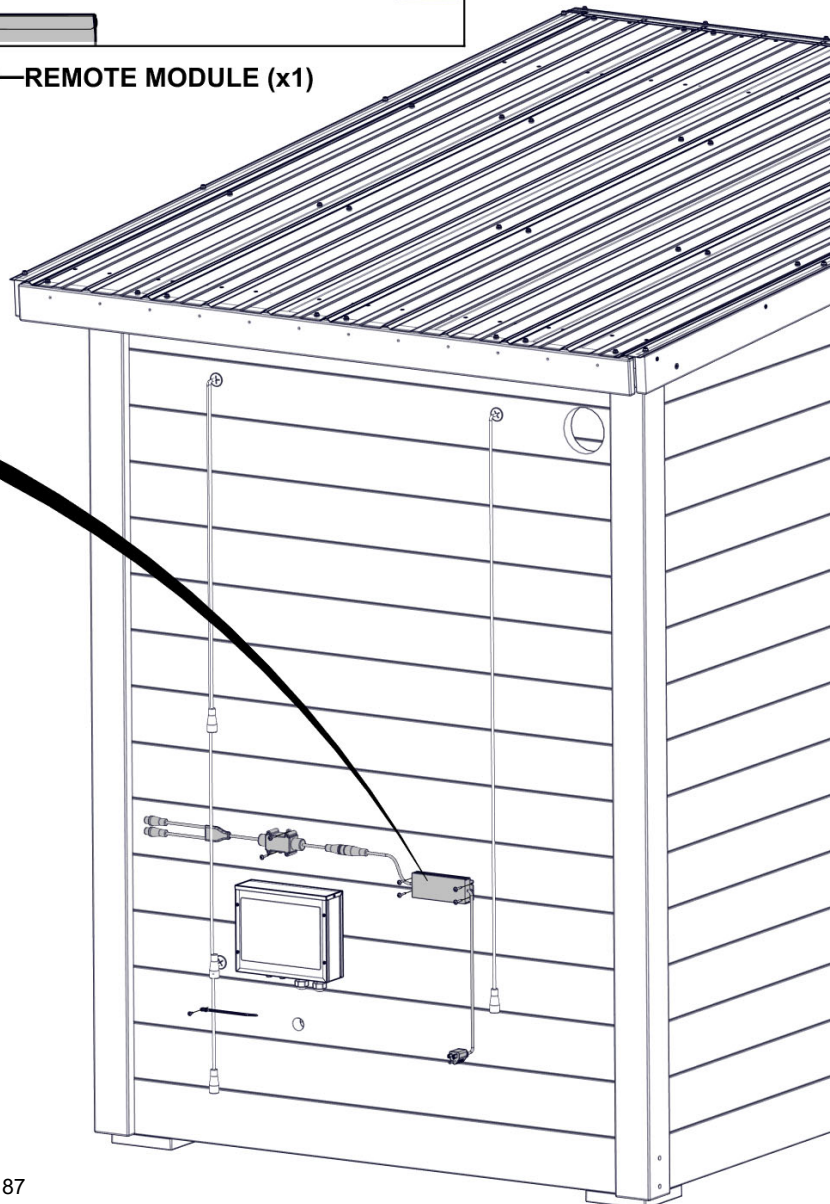
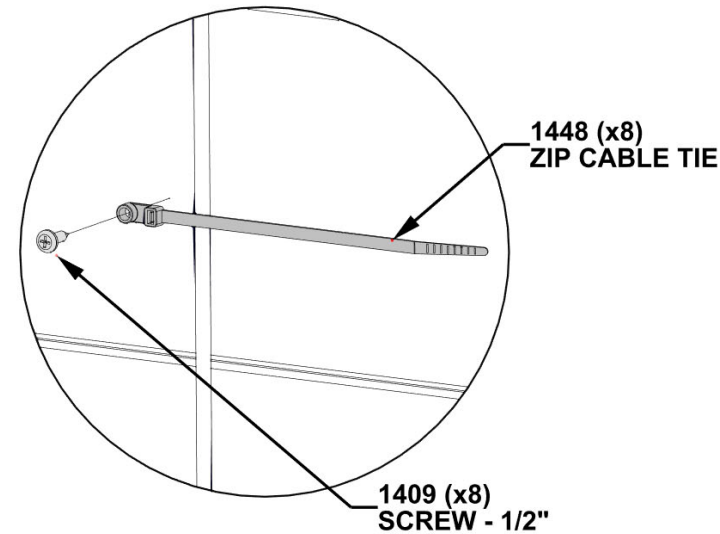
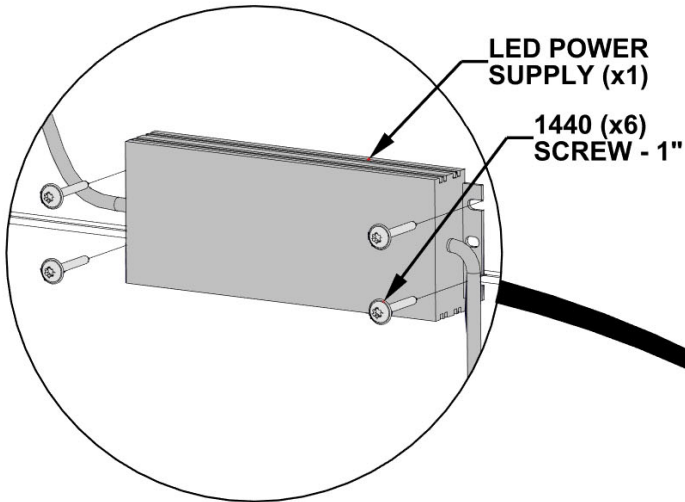
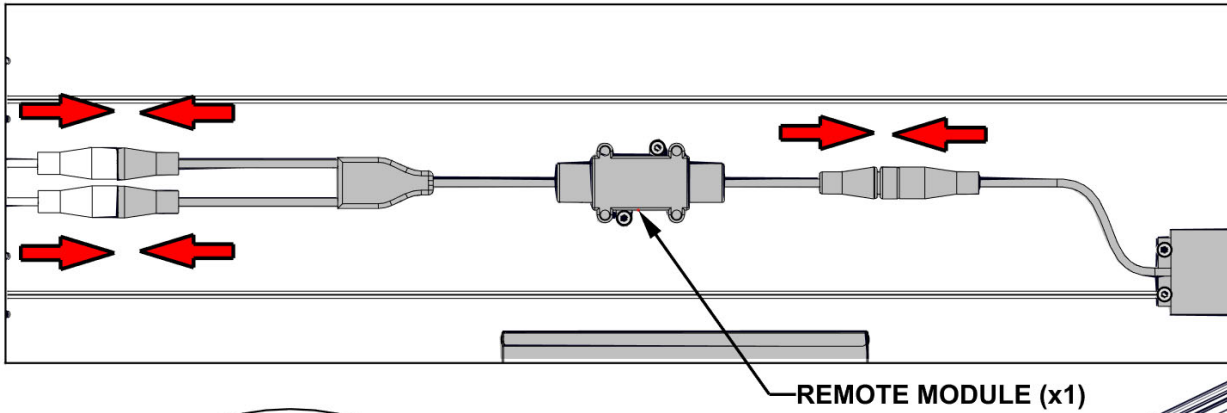


# STEP 69 - LED LIGHT

QTY	PART NUMBER	DESCRIPTION
8	H101409	SCREW PPH 4x1/2 BLK
6	H101440	SCREW TWH 8x1 SS-BLK

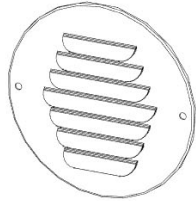


- LOCATE REMOTE MODULE AND POWER SUPPLY IN THE APPROXIMATE LOCATIONS.
- ENSURE REMOTE MODULE AND POWER SUPPLY ARE ORIENTED HORIZONTALLY WHEN ATTACHING.
- USE ZIP TIES WHERE NEEDED TO ATTACH AND ORGANIZE CORDS.

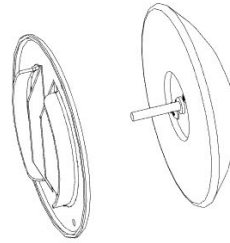


# STEP 70 - VENT INSTALLATION

QTY	PART NUMBER	DESCRIPTION
3	H101424	SCREW TFH 8X1 SS-BLK
4	H101438	SCREW TWH 8X3/4 SS-BLK

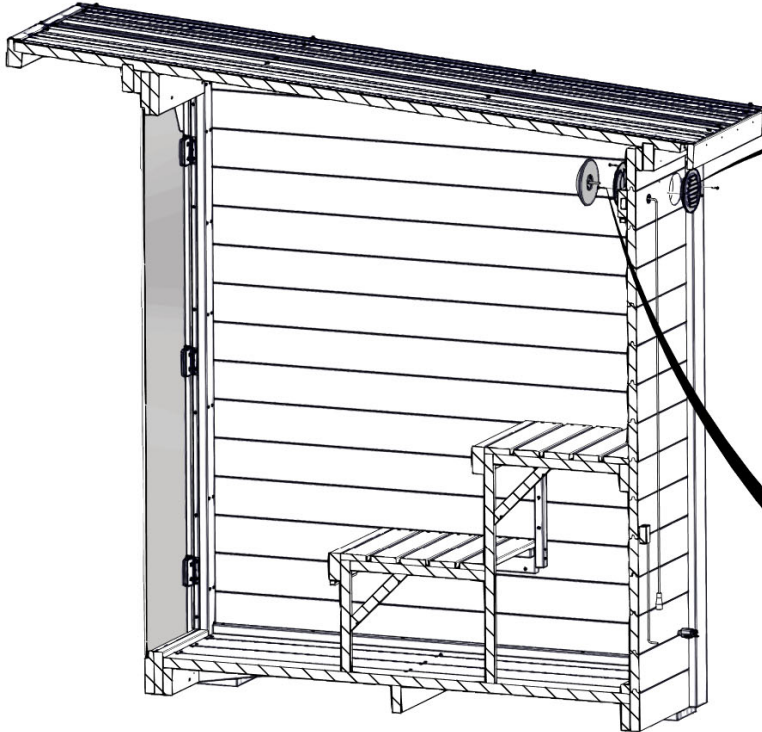


A4M05285 VENT COVER  
(x2)



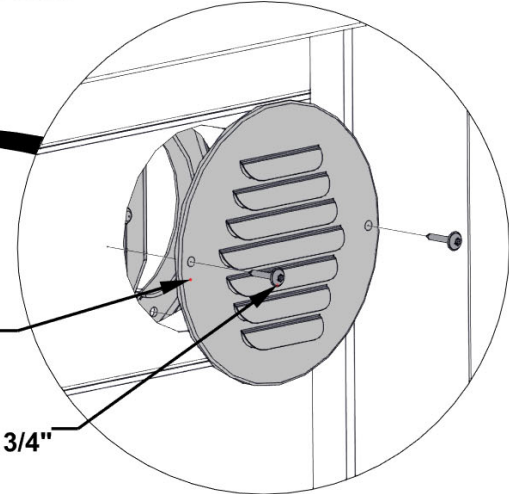
A4M05592 VENT ASSEMBLY  
(x1)

- BEFORE ATTACHING VENT COVER, UNSCREW ADJUSTABLE VENT COVER FROM VENT BASE INSERT.
- ONCE VENT BASE INSERT IS ATTACHED, SCREW ADJUSTABLE VENT COVER BACK IN.



5285 (x2)  
VENT

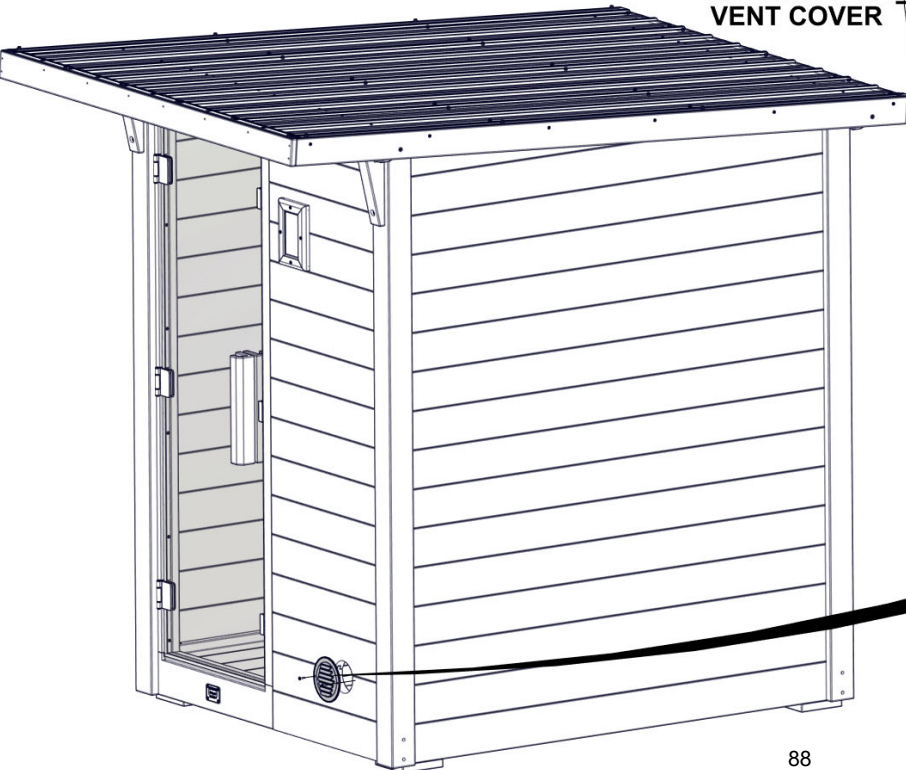
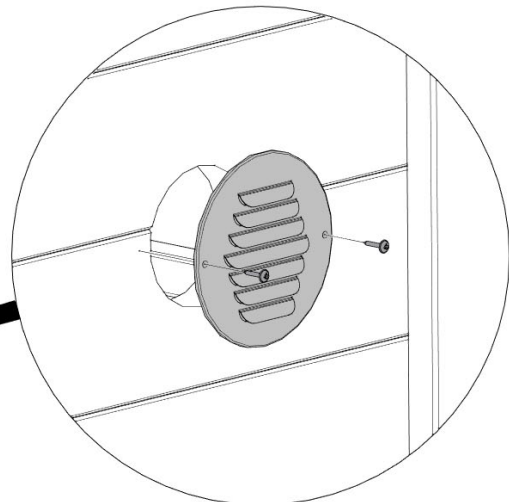
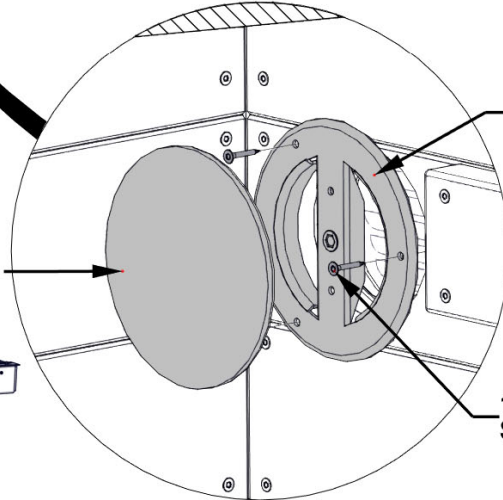
1438 (x4)  
SCREW - 3/4"



5592 (x1)  
VENT INSERT  
BASE

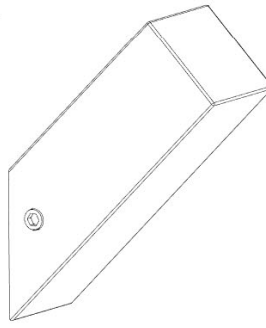
ADJUSTABLE  
VENT COVER

1424 (x3)  
SCREW - 1"



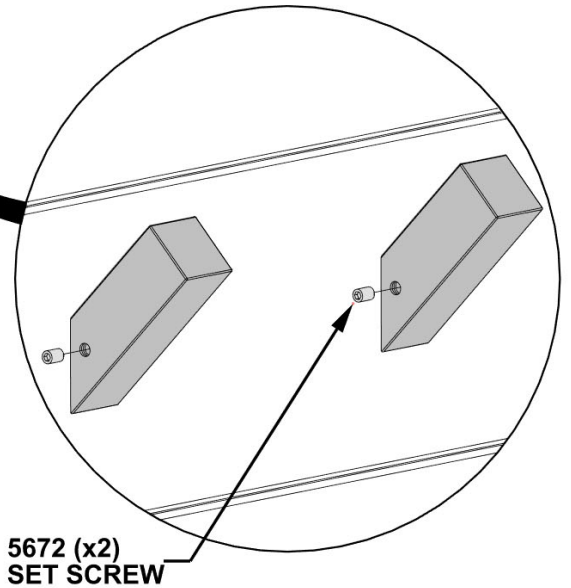
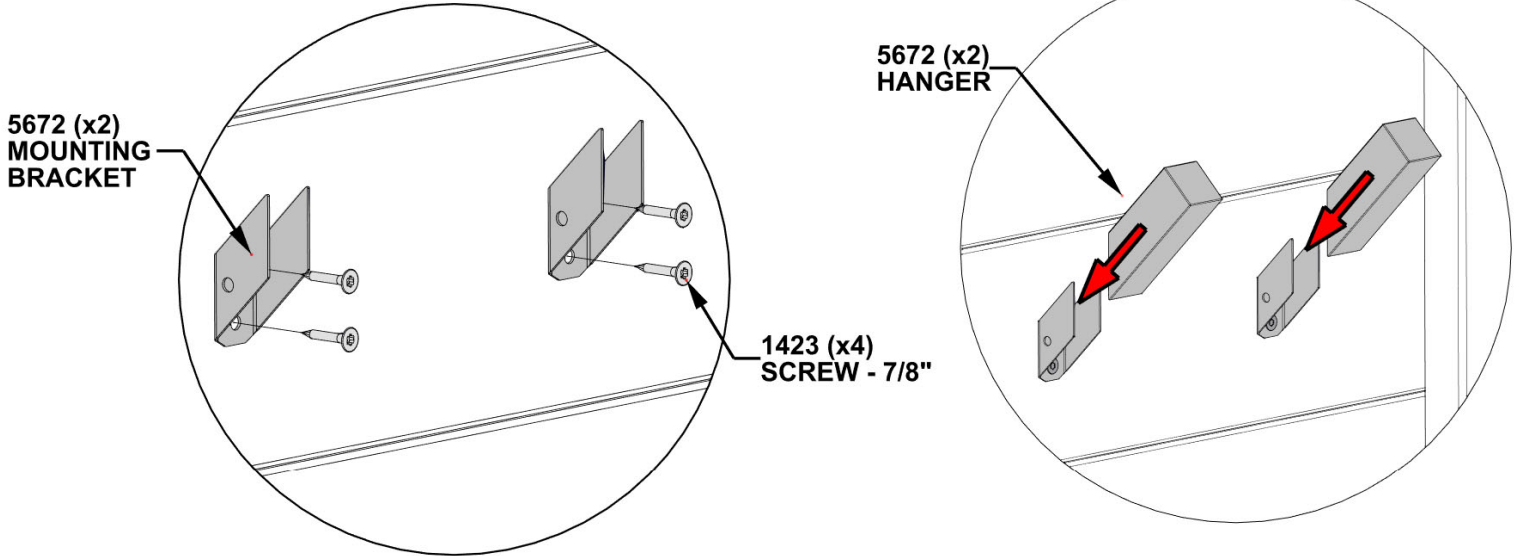
# STEP 71 - TOWEL HANGER

QTY	PART NUMBER	DESCRIPTION
4	H101423	SCREW TFH 8X7/8 SS-BLK



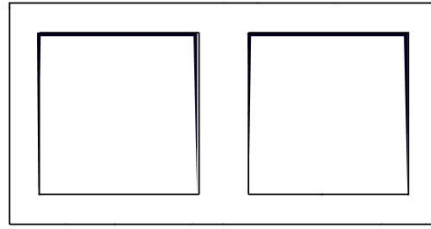
A4M05672 HANGER  
(x2)

- INSTALL TOWEL HANGERS AT ANY DESIRE LOCATION ON THE RIGHT SIDE.
- HOWEVER, DO NOT INSTALL SCREWS AT THE SEAMS OF THE PANEL BOARDS.



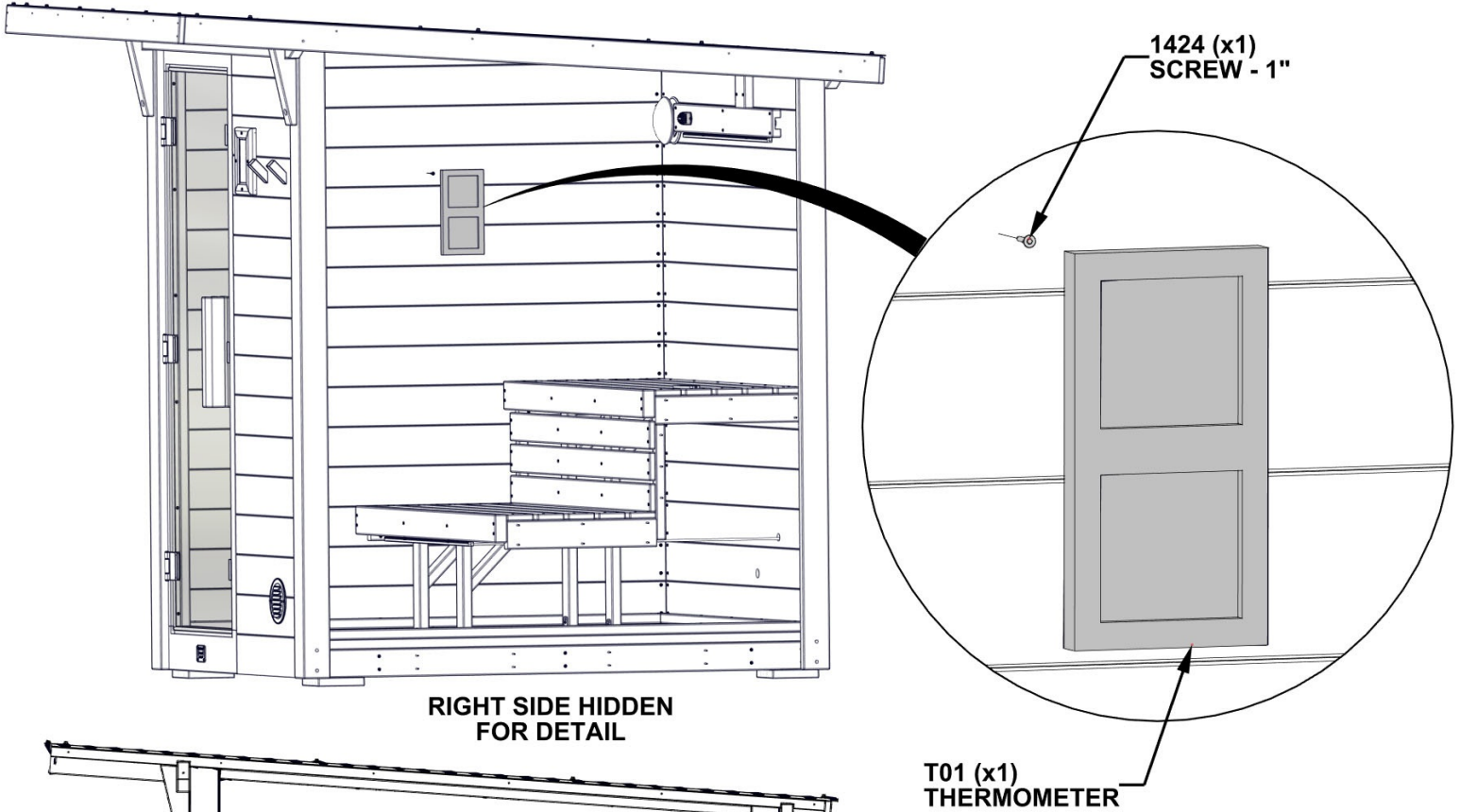
# STEP 72 - THERMOMETER INSTALLATION

QTY	PART NUMBER	DESCRIPTION
1	H101424	SCREW TFH 8X1 SS-BLK



T01 THERMOMETER - W4L21965  
(x1)

- INSERT SCREW INTO SIDE WALL IN APPROXIMATE LOCATION SHOWN TO HANG THERMOMETER.



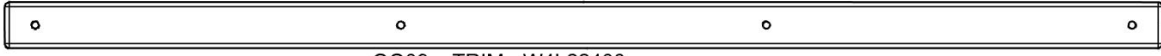
RIGHT SIDE HIDDEN  
FOR DETAIL

T01 (x1)  
THERMOMETER

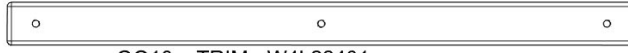
LOCATE THERMOMETER IN THIS  
APPROXIMATE LOCATION

# STEP 73 - TRIM

QTY	PART NUMBER	DESCRIPTION
7	H101429	SCREW TFH 8X2 SS-BLK

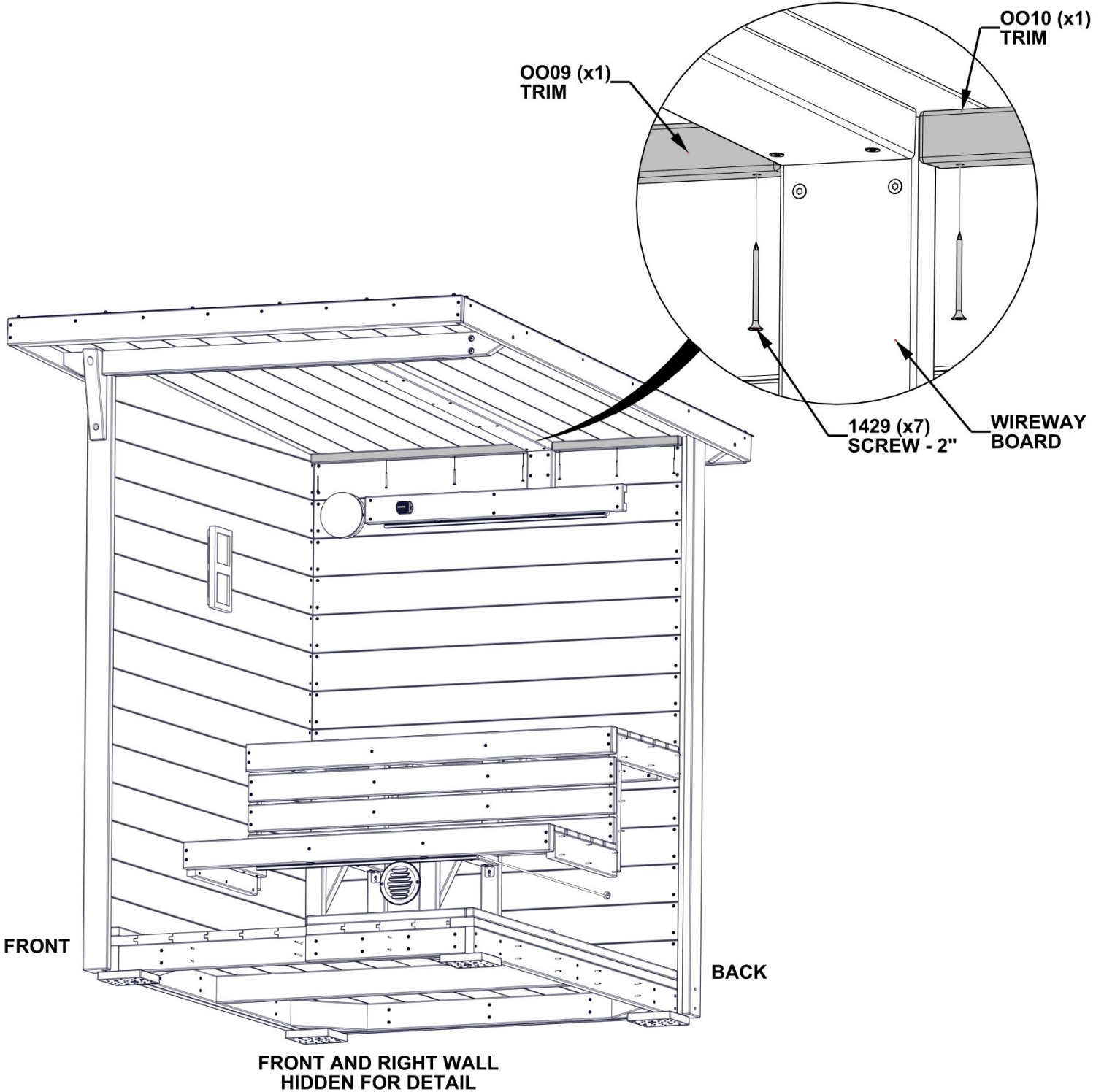


OO09 TRIM - W4L22400  
(x1) 1 3/16"x1 3/16"x29 11/16" (30x30x754)



OO10 TRIM - W4L22401  
(x1) 1 3/16"x1 3/16"x17 5/16" (30x30x439)

- POSITION TRIM AGAINST WIREWAY BOARD AND CEILING AND ATTACH AS SHOWN.



# STEP 74 - TRIM

QTY	PART NUMBER	DESCRIPTION
9	H101429	SCREW TFH 8X2 SS-BLK



OO09 TRIM - W4L22400  
(x1) 1 3/16"x1 3/16"x29 11/16" (30x30x754)

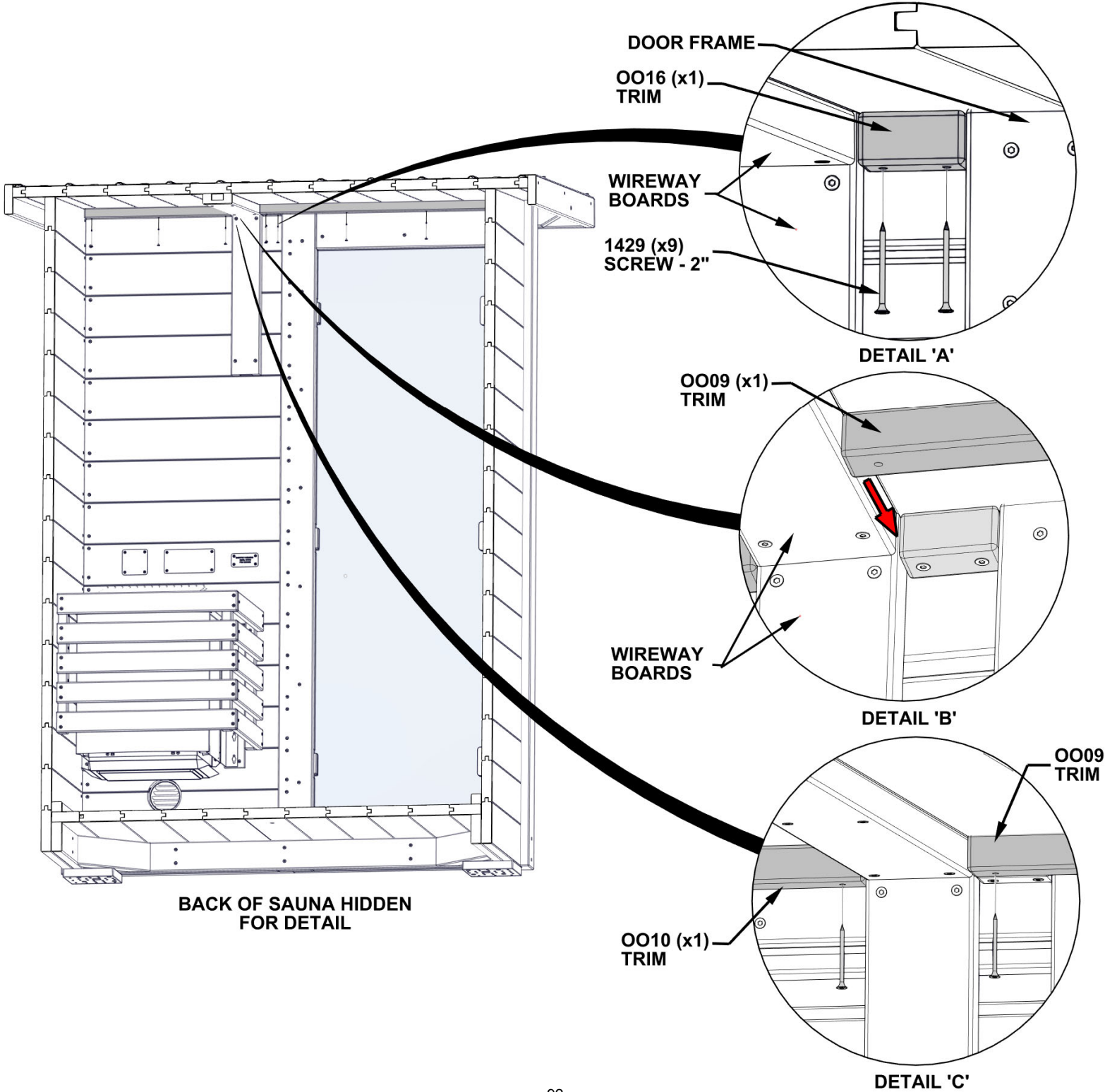


OO10 TRIM - W4L22401  
(x1) 1 3/16"x1 3/16"x17 5/16" (30x30x439)



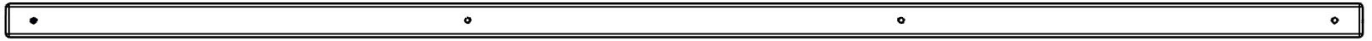
OO16 TRIM - W4L22415  
(x1) 1 3/16"x1 3/16"x2 3/8" (30x30x60)

- POSITION OO16 BETWEEN WIREWAY BOARD AND DOOR FRAME AND ATTACH AS SHOWN. (DETAIL 'A')
- ONCE OO16 HAS BEEN INSTALLED, POSITION OO09 AGAINST OO16 AND WIREWAY BOARD AND ATTACH AS SHOWN. (DETAIL 'B' & 'C')
- LASTLY, POSITION OO10 TRIM BOARD AGAINST WALL AND WIREWAY BOARD AND ATTACH AS SHOWN. (DETAIL 'C')



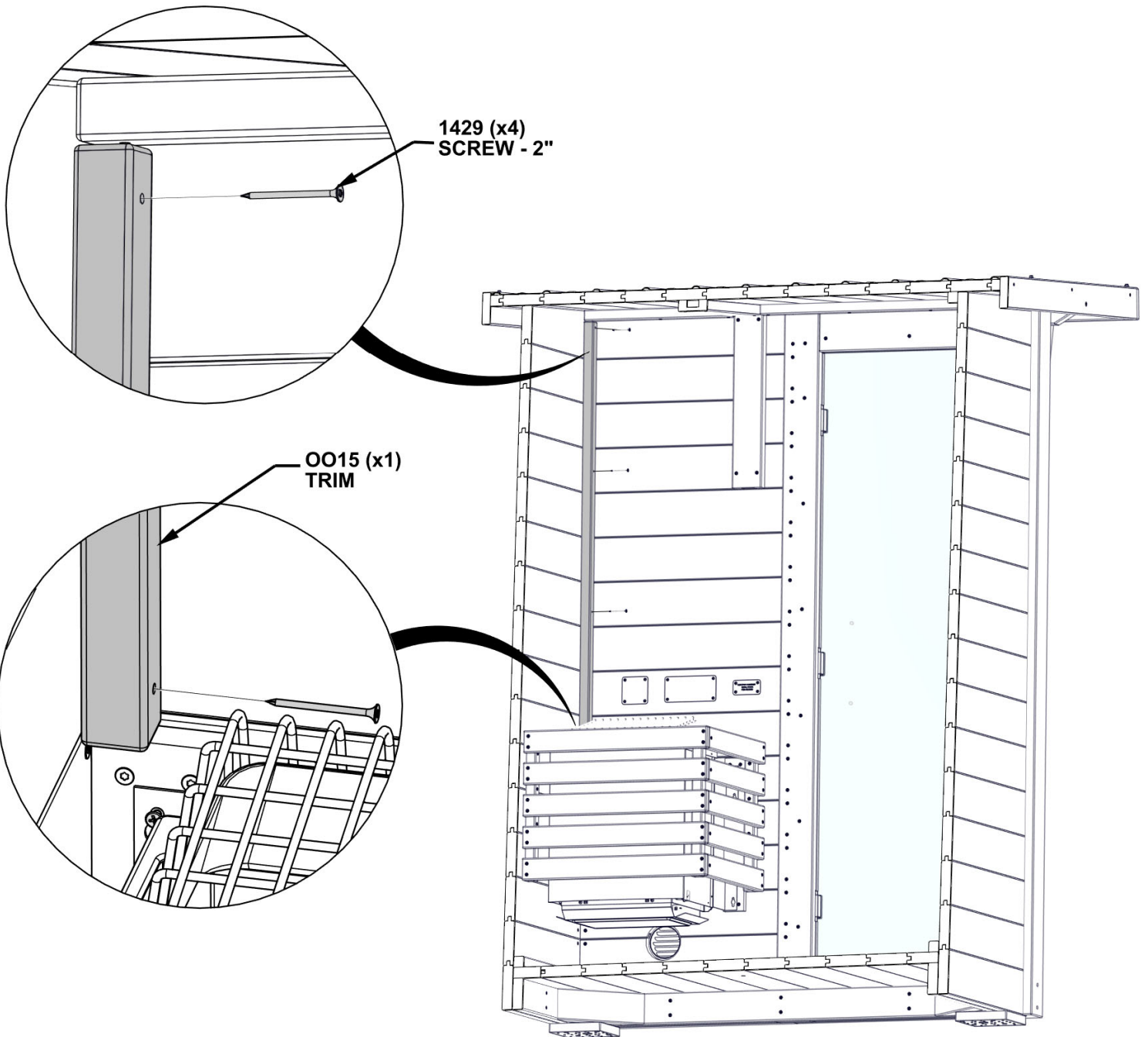
# STEP 75 - TRIM

QTY	PART NUMBER	DESCRIPTION
4	H101429	SCREW TFH 8X2 SS-BLK



0015 TRIM - W4L22608  
(x1) 1 3/16"x1 3/16"x47 9/16" (30x30x1208)

- POSITION TRIM AGAINST WALL AND PREVIOUSLY INSTALLED TRIM AND ATTACH AS SHOWN.



1429 (x4)  
SCREW - 2"

0015 (x1)  
TRIM

BACK OF SAUNA HIDDEN  
FOR DETAIL

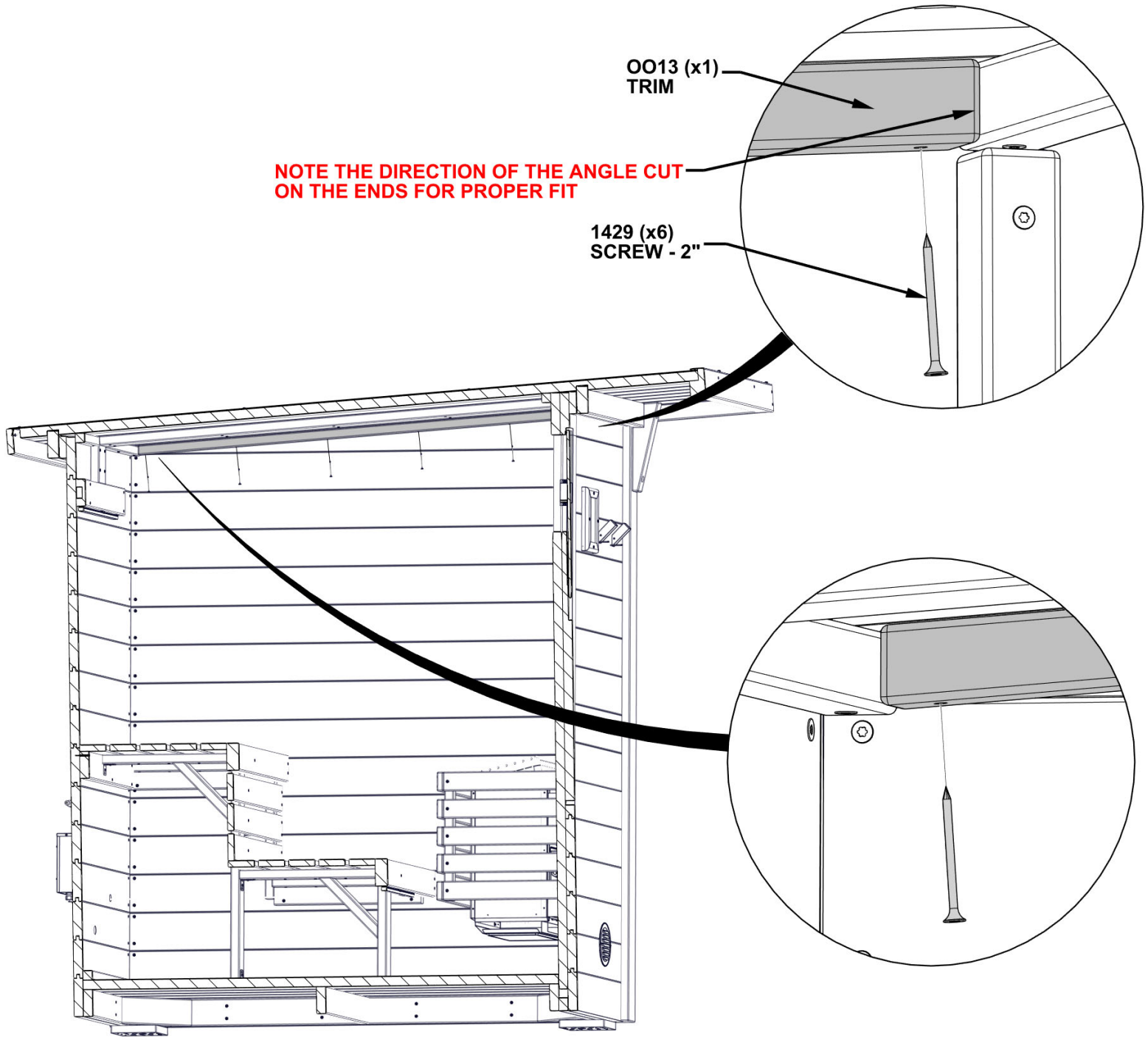
# STEP 76 - TRIM

QTY	PART NUMBER	DESCRIPTION
6	H101429	SCREW TFH 8X2 SS-BLK



OO13 TRIM - W4L22414  
(x1) 1 3/16"x1 3/16"x61" (30x30x1549)

- POSITION TRIM AGAINST SIDE WALL AND PREVIOUSLY INSTALLED TRIM AND ATTACH AS SHOWN.



OO13 (x1)  
TRIM

**NOTE THE DIRECTION OF THE ANGLE CUT  
ON THE ENDS FOR PROPER FIT**

1429 (x6)  
SCREW - 2"

LEFT SIDE OF SAUNA  
HIDDEN FOR DETAIL

# STEP 77 - TRIM

QTY	PART NUMBER	DESCRIPTION
6	H101429	SCREW TFH 8X2 SS-BLK



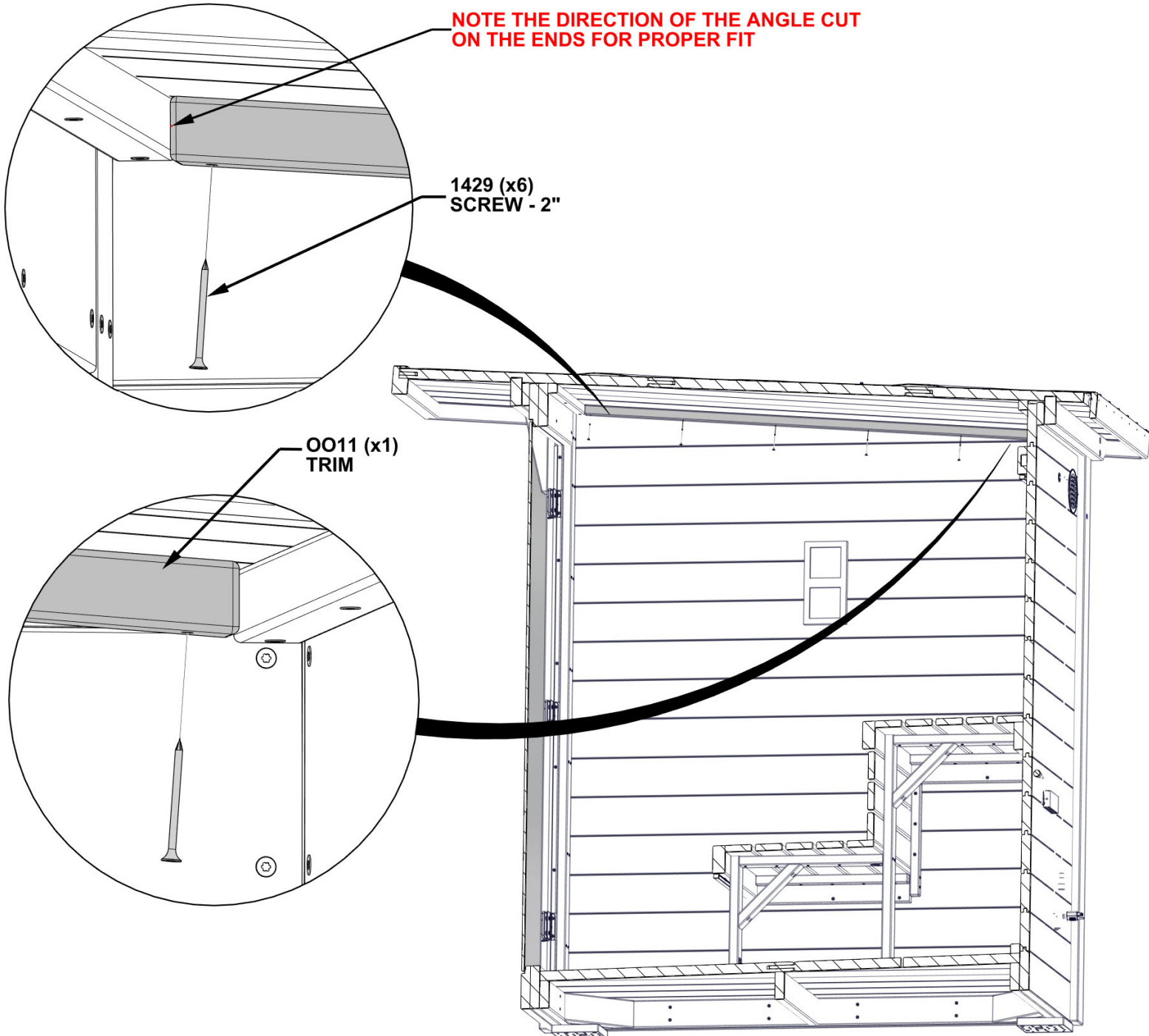
OO11 TRIM - W4L22402  
(x1) 1 3/16"x1 3/16"x59 13/16" (30x30x1519)

- POSITION TRIM AGAINST SIDE WALL AND PREVIOUSLY INSTALLED TRIM AND ATTACH AS SHOWN.

**NOTE THE DIRECTION OF THE ANGLE CUT  
ON THE ENDS FOR PROPER FIT**

1429 (x6)  
SCREW - 2"

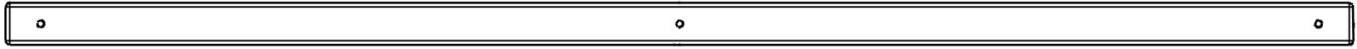
OO11 (x1)  
TRIM



**RIGHT SIDE OF SAUNA  
HIDDEN FOR DETAIL**

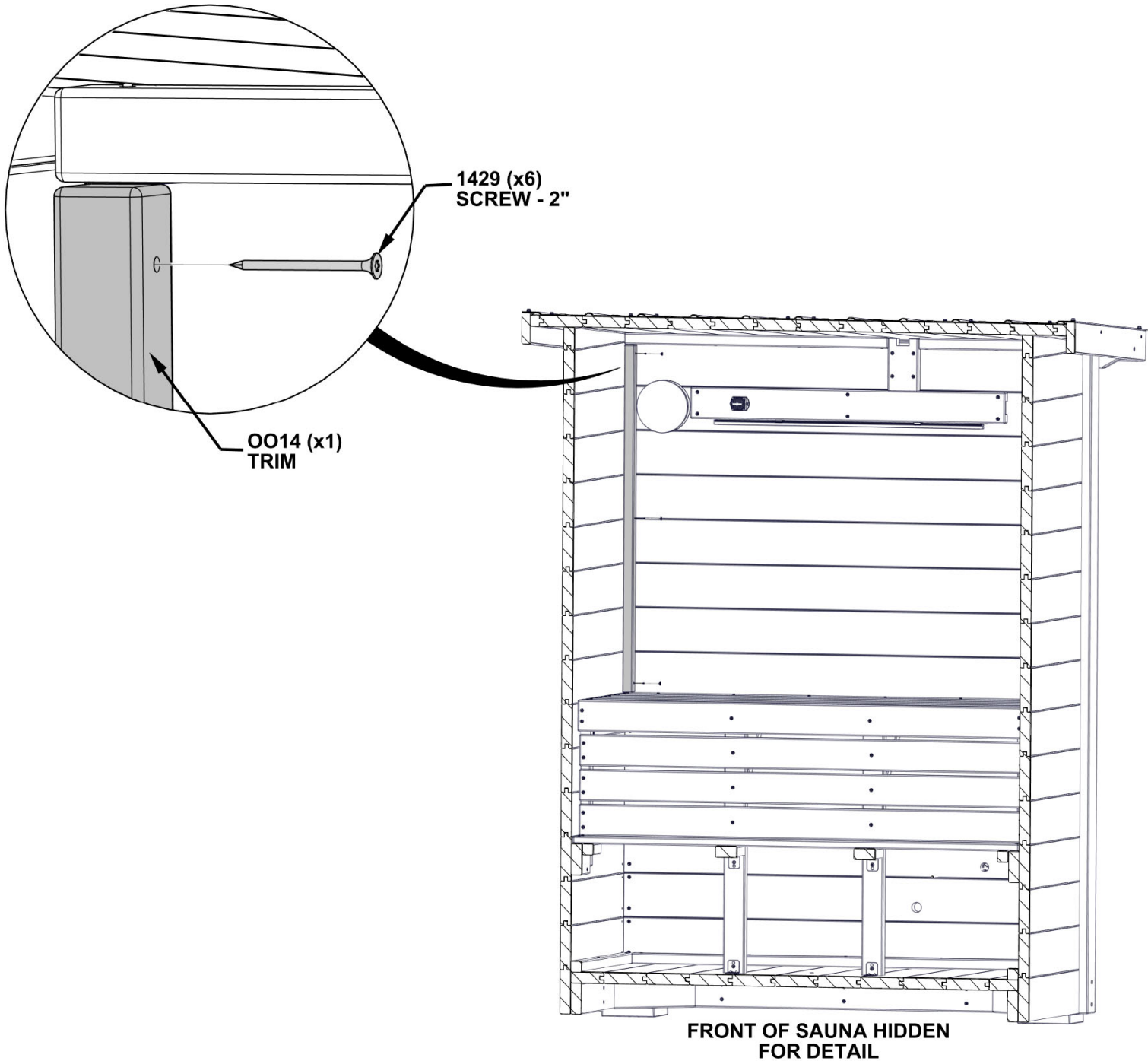
# STEP 78 - TRIM

QTY	PART NUMBER	DESCRIPTION
6	H101429	SCREW TFH 8X2 SS-BLK



OO14 TRIM - W4L22607  
(x2) 1 3/16"x1 3/16"x37 7/8" (30x30x962)

- POSITION TRIM AGAINST WALLS AND PREVIOUSLY INSTALLED TRIM AND ATTACH AS SHOWN.
- REPEAT FOR OTHER SIDE.



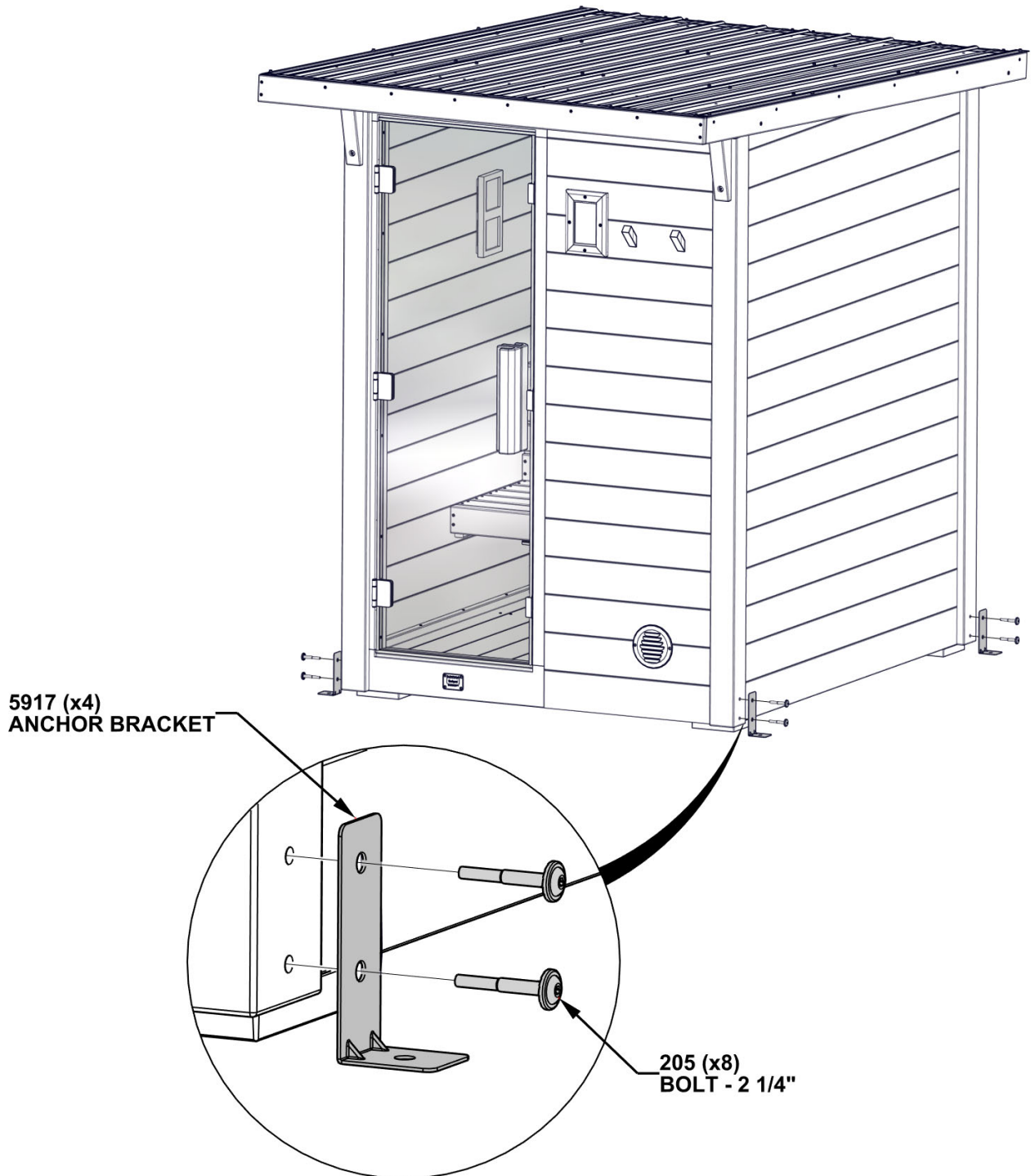
# STEP 79 - ANCHORS

QTY	PART NUMBER	DESCRIPTION
8	H100205	BOLT WH 5/16x2 1/4 BLK



A4M05917 ANCHOR BRACKET  
(x4)

- ALIGN HOLES IN ANCHOR BRACKETS WITH HOLES IN POST AND ATTACH AS SHOWN.



# STEP 80 - ANCHORING TO GROUND



A4M05667 GROUND STAKE  
(x4)

- IF SAUNA IS TO SIT ON A CONCRETE SURFACE, SEE STEP 81.



# STEP 81 - ANCHORING TO CONCRETE

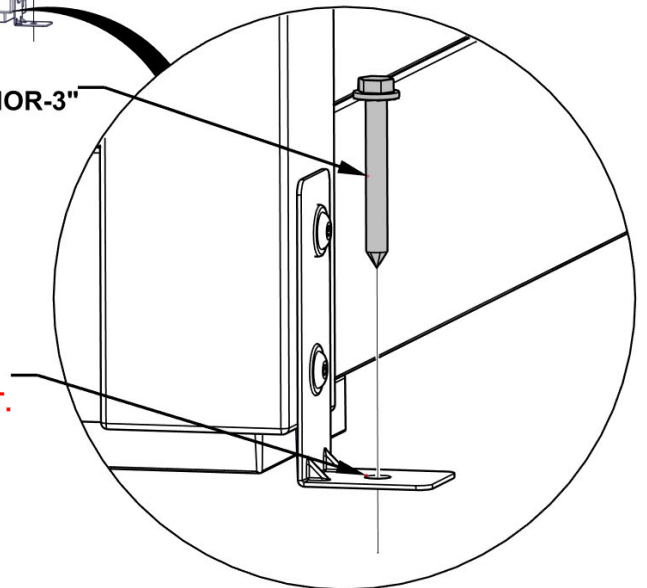
QTY	PART NUMBER	DESCRIPTION
4	H101165	CONCRETE ANCHOR 3/8"x3" BLK

- IF SAUNA IS TO SIT ON THE GROUND, SEE STEP 80.



1165 (x4)  
CONCRETE ANCHOR-3"

PRE-DRILL HOLES FOR  
CONCRETE ANCHORS USING A  
5/16" [8mm] CONCRETE DRILL BIT.



## STEP 82 - FINISH

- ONCE THE ASSEMBLY IS COMPLETE, SWEEP AND VACUUM THE INSIDE OF THE SAUNA. WIPE DOWN THE ENTIRE SAUNA WITH A DAMP CLOTH TO REMOVE ANY REMAINING DIRT, DUST, AND DEBRIS.
- THE OUTSIDE ONLY NEEDS TO BE SEALED. STAINING IS OPTIONAL BASED ON DESIRED LOOK.

**- DO NOT USE CHEMICAL-BASED CLEANING AGENTS INSIDE THE SAUNA.**

