

**ZOELLER**<sup>®</sup>  
PUMP COMPANY

zoellerpumps.com

Trusted. Tested. Tough.<sup>®</sup>



**MODEL 63**

**Premium Sump Pump**

Added features when it positively has to be the best.



**Zoeller Family of Water Solutions™**

Copyright Zoeller Co. All rights reserved.

FM2959  
1125  
Supersedes  
0724

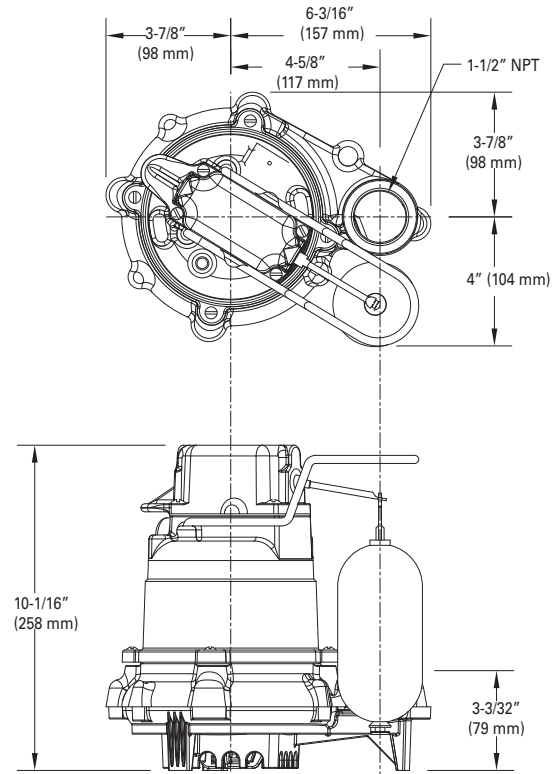
## Features:

- 5-year warranty
- Advanced switch technology allowing longer switch life (available in automatic only)
- 3/10 HP Premium 115 V sump pump
- Performance up to 19.25' (5.9 m) TDH
- Flows up to 43 GPM (163 LPM)
- Green LED plug showing power to the pump
- Viton switch arm boot and heavy-duty rubber power cord for longevity and durability
- All cast iron construction for a more robust pump
- Corrosion-resistant, powder coated epoxy paint

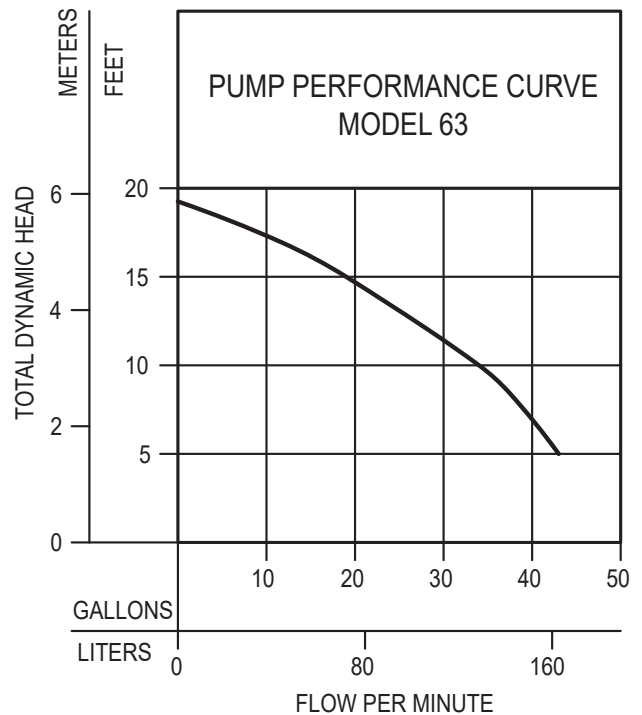
**100% factory tested**

### PRODUCT SPECIFICATIONS

<b>MOTOR</b>	Horse Power	3/10
	Voltage	115
	Phase	1 Ph
	Hertz	60 Hz
	RPM	1550
	Type	Shaded pole
	Insulation	Class B
	Amps	9.7
<b>PUMP</b>	Operation	Automatic
	Auto On/Off Points	7-1/4" (18.4 cm) / 3" (7.6 cm)
	Discharge Size	1-1/2" NPT
	Solids Handling	1/2" (12 mm) spherical solids
	Cord Length	9' (2.7 m)
	Cord Type	UL listed, 3-wire, grounded plug
	Max. Head	19.25' (5.9 m)
	Max. Flow Rate	43 GPM (163 LPM)
	Max. Operating Temp.	130 °F (54 °C)
	Cooling	Oil filled
	Motor Protection	Auto reset thermal overload
<b>MATERIALS</b>	Cap	Cast iron
	Motor Housing	Cast iron
	Pump Housing	Cast iron
	Base	Cast iron (optional - Engineered Synthetic)
	Upper Bearing	Sleeve bearing
	Lower Bearing	Sleeve bearing
	Mechanical Seals	Carbon and ceramic
	Impeller Type	Non-clogging vortex
	Impeller	Cast iron (optional - Engineered Synthetic)
	Hardware	Stainless steel
	Motor Shaft	AISI 1215 cold rolled steel
Gasket	Neoprene	



SK858



US  
Tested to Standard UL778 and  
Certified to CSA  
Standard C22.2 No. 108



All installation of controls, protection devices and wiring should be done by a qualified licensed electrician. All electrical and safety codes should be followed including the most recent National Electrical Code (NEC) and the Occupational Safety and Health Act (OSHA).