

DREMEL® ULTRA-SAW™ US20V

DREMEL® ULTRA-SAW™ US20V

20V MAX Cordless
Compact Saw Kit
US20V-01



THE FIRST DREMEL CORDLESS COMPACT SAW

Dremel Ultra-Saw™ US20V is a versatile compact saw, cordless & packed with **20V MAX Power**.

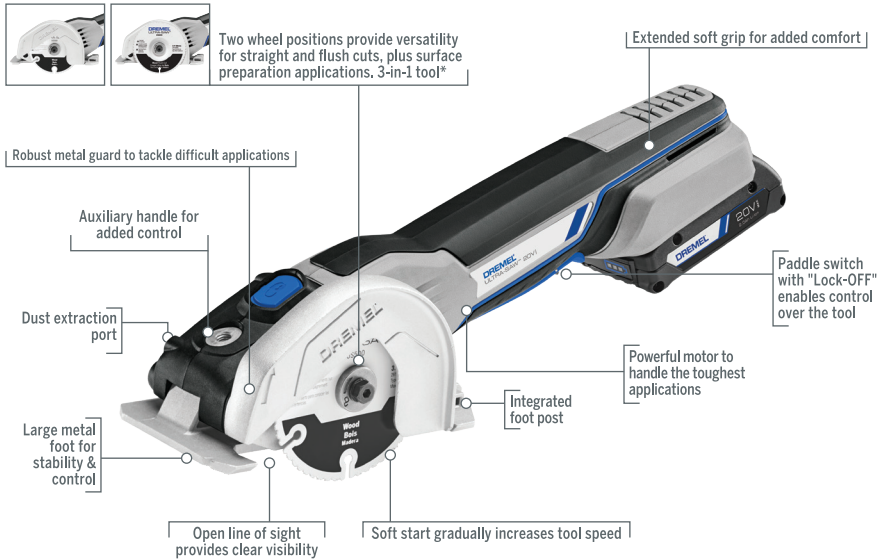
2 Limited
Warranty
YEAR

DREMEL®
A division of the
Robert Bosch Tool Corporation
Mt. Prospect, IL 60056-2230
MSDS/SDS: 1 (877) 303-0891

DREMEL® JOIN THE COMMUNITY

    [dremel.com](https://www.dremel.com)

DREMEL® ULTRA-SAW™ US20V



Model Number
US20V-01

Suggested Retail
\$179.00

Engineering Number
F013US20AA

- Includes:**
- Compact Saw
 - 20V Battery & Charger
 - US500 Wood/Plastic Wheel
 - US510 Metal Wheel
 - US540 Tile Wheel
 - Dust Port
 - Handle
 - Edge Guide
 - Storage Bag

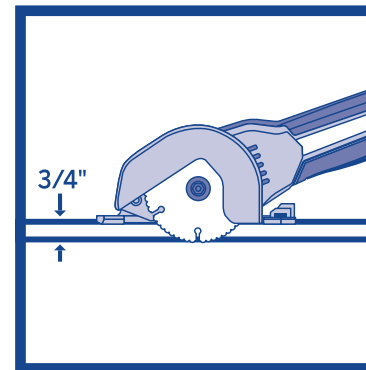


DREMEL® ULTRA-SAW™ US20V



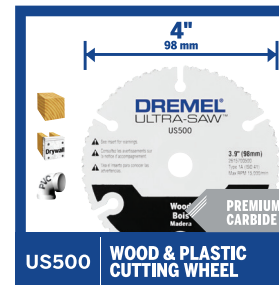
The robust accessory system offers these operations:

- Plunge cutting
- Flush cutting
- Surface preparation
- ... & cuts multiple materials



Cutting Depth:

Cut up to 3/4" with Dremel's 3.5" and 4" Ultra-Saw wheels.



Premium Carbide Wheel
High-quality engineered wood & plastic cutting wheel.



Metal Cutting Wheel
Abrasive material for metal cutting applications such as copper pipe, conduit, coated wire shelving, thin sheet metal, threaded rod, sheet aluminum & more.



Diamond Tile Wheel
Diamond coated cutting wheel for cutting wall tile, floor tile, porcelain, slate, stone, & cement backer board.