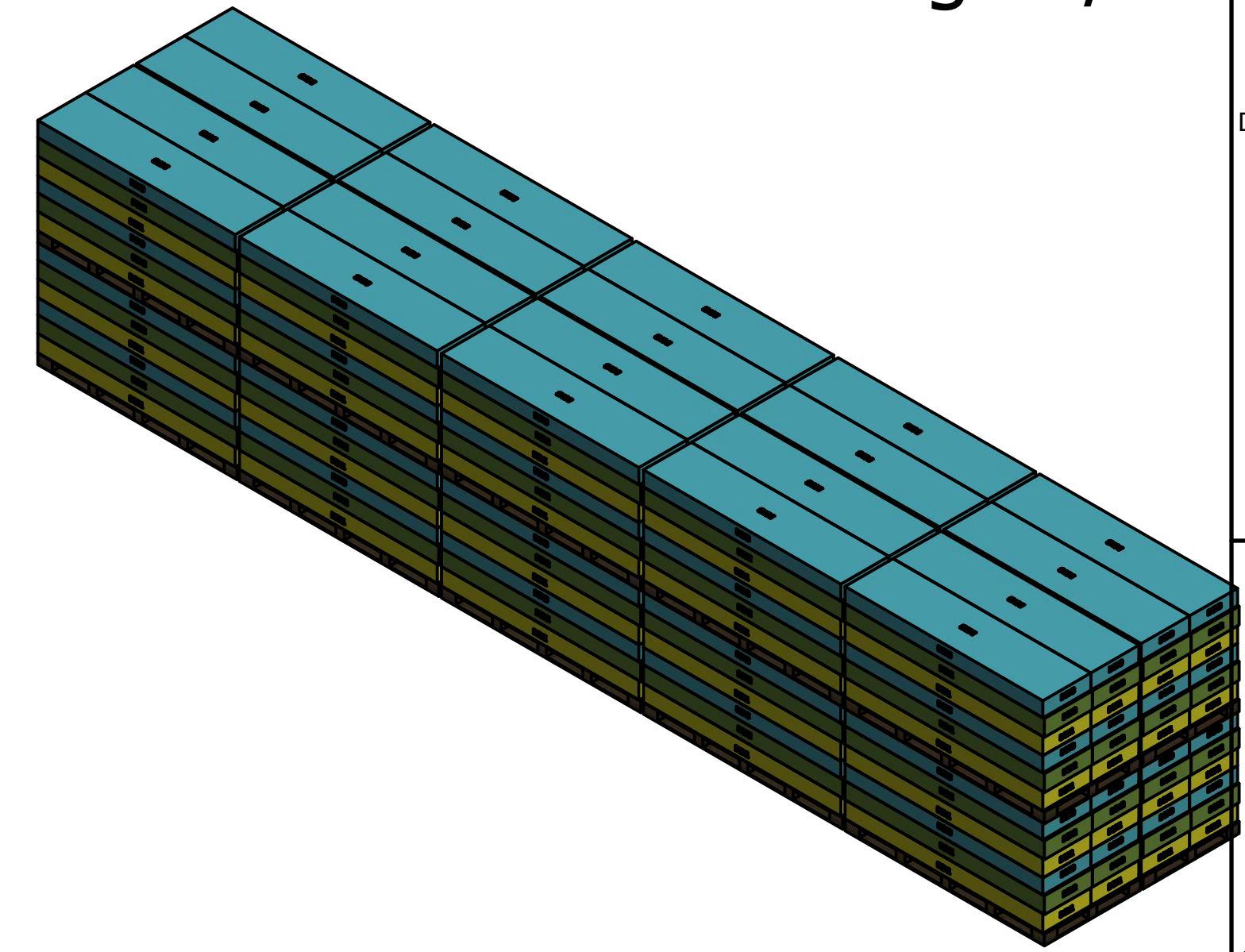
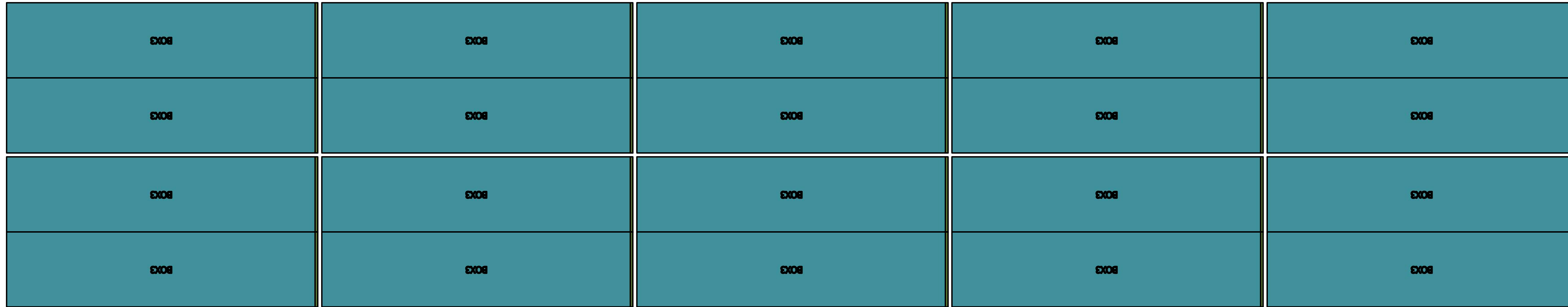


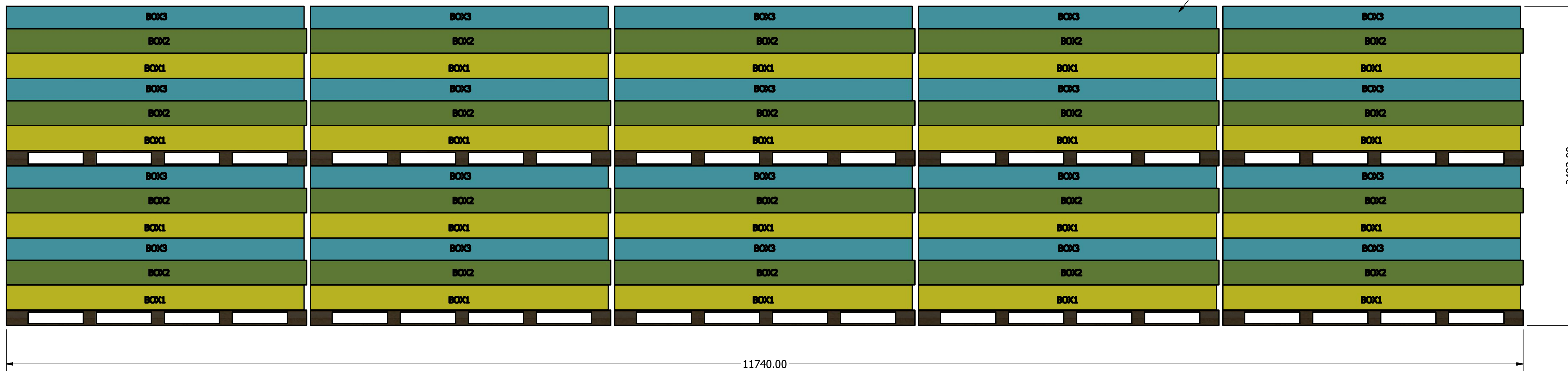
# 6014B WOODLAND Container Loading Diagram

( 1 set=3 boxes, 80 sets/40HQ, 20 pallets/ 40HQ, Gross Weight:17080kg)

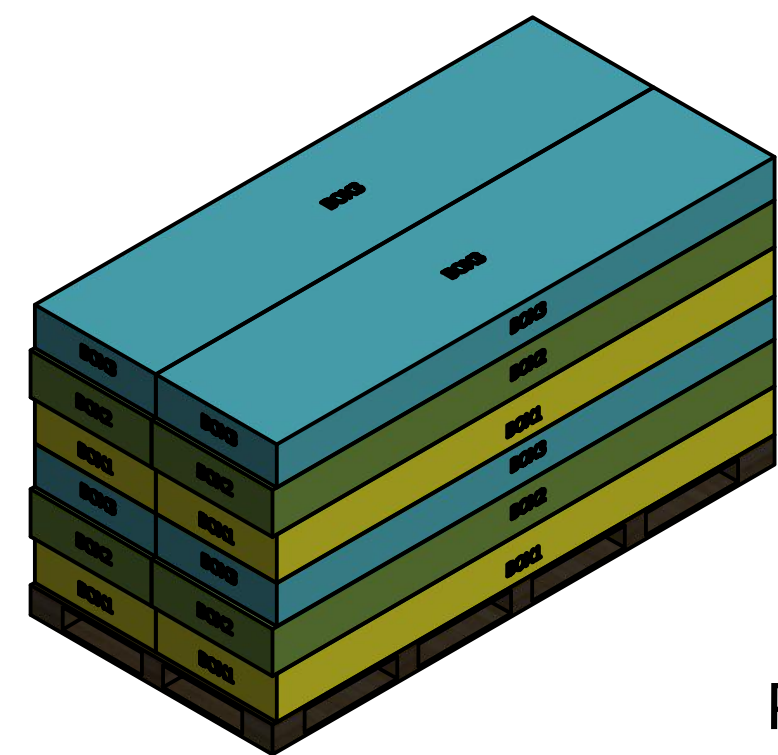
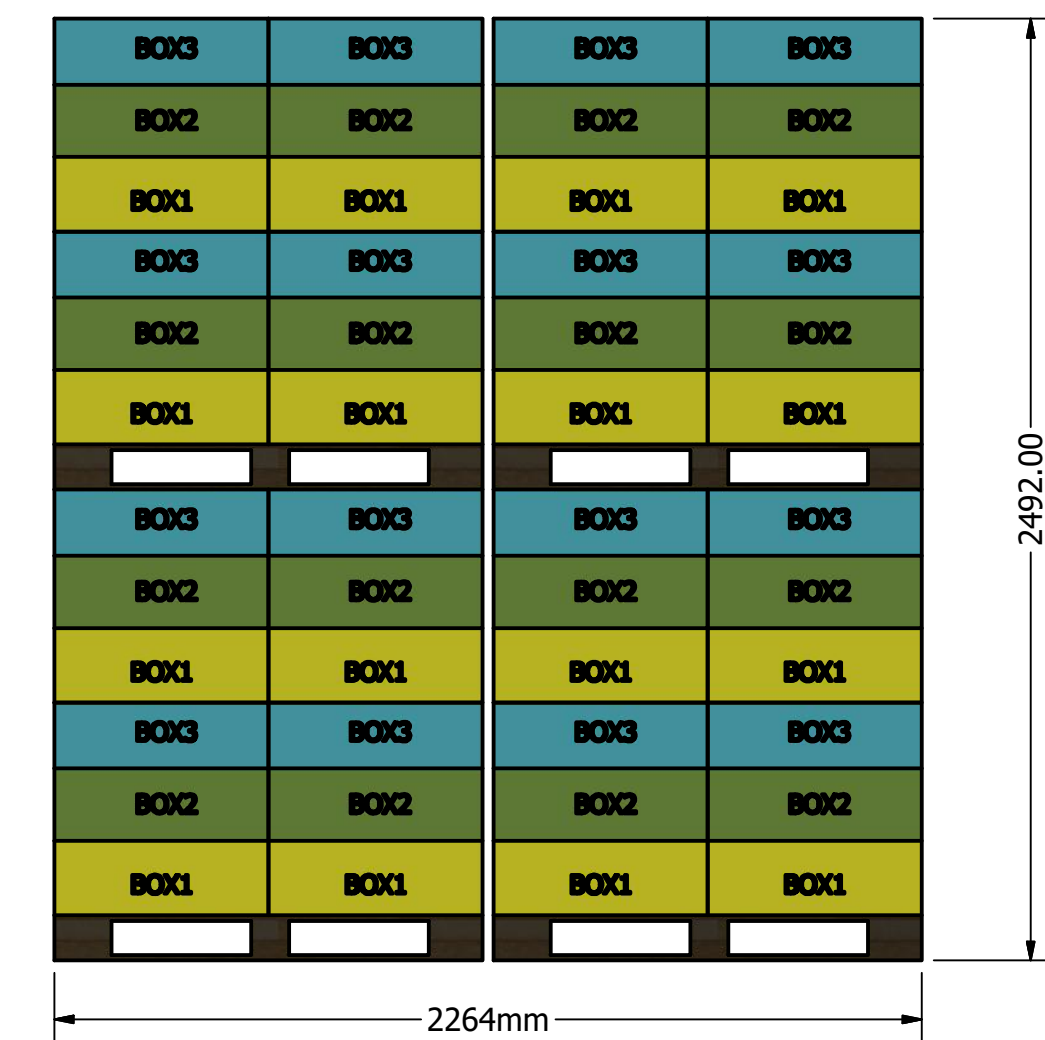
Top view



Side view



End view

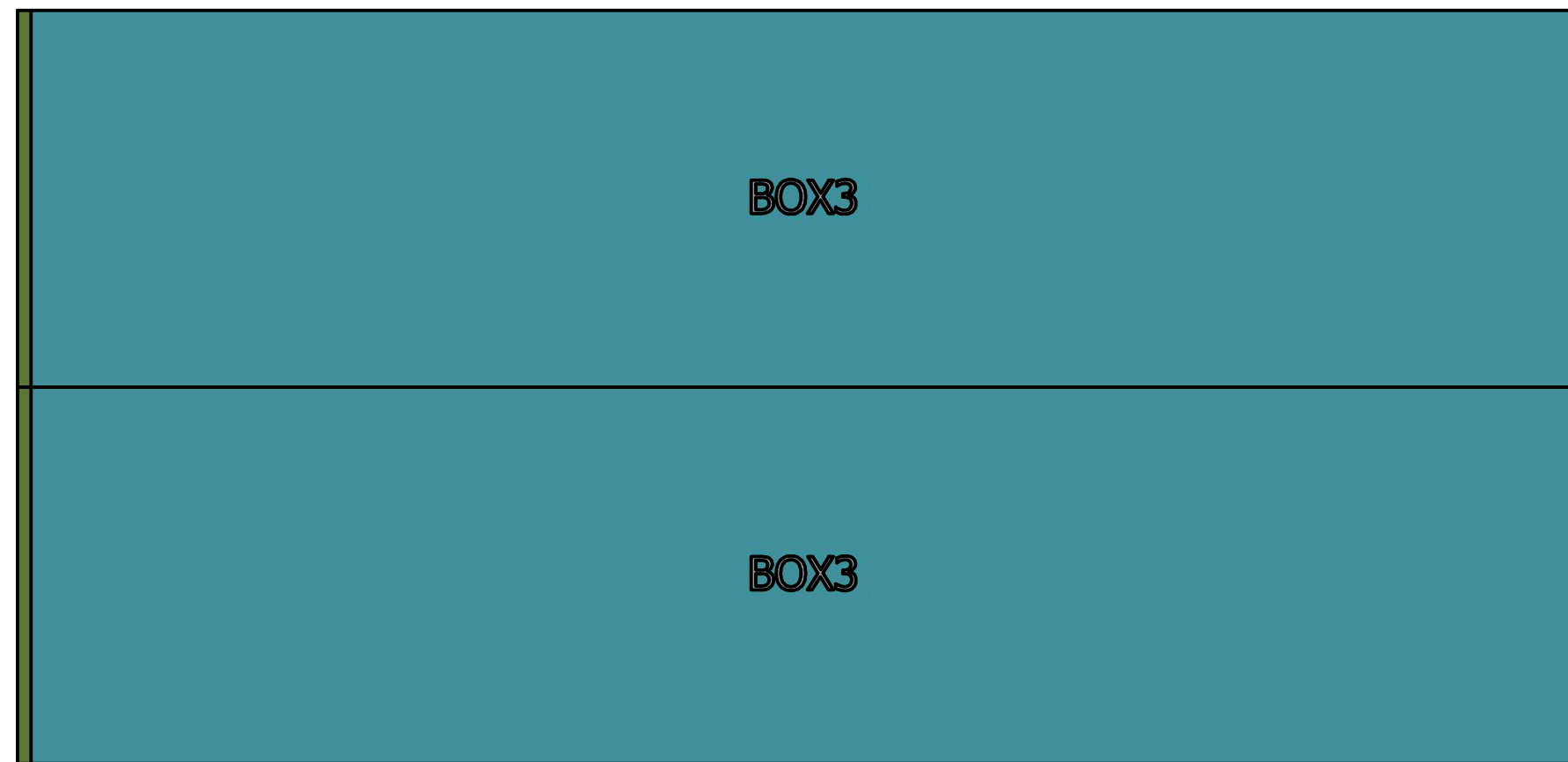


Pallet A (4 sets/Pallet)

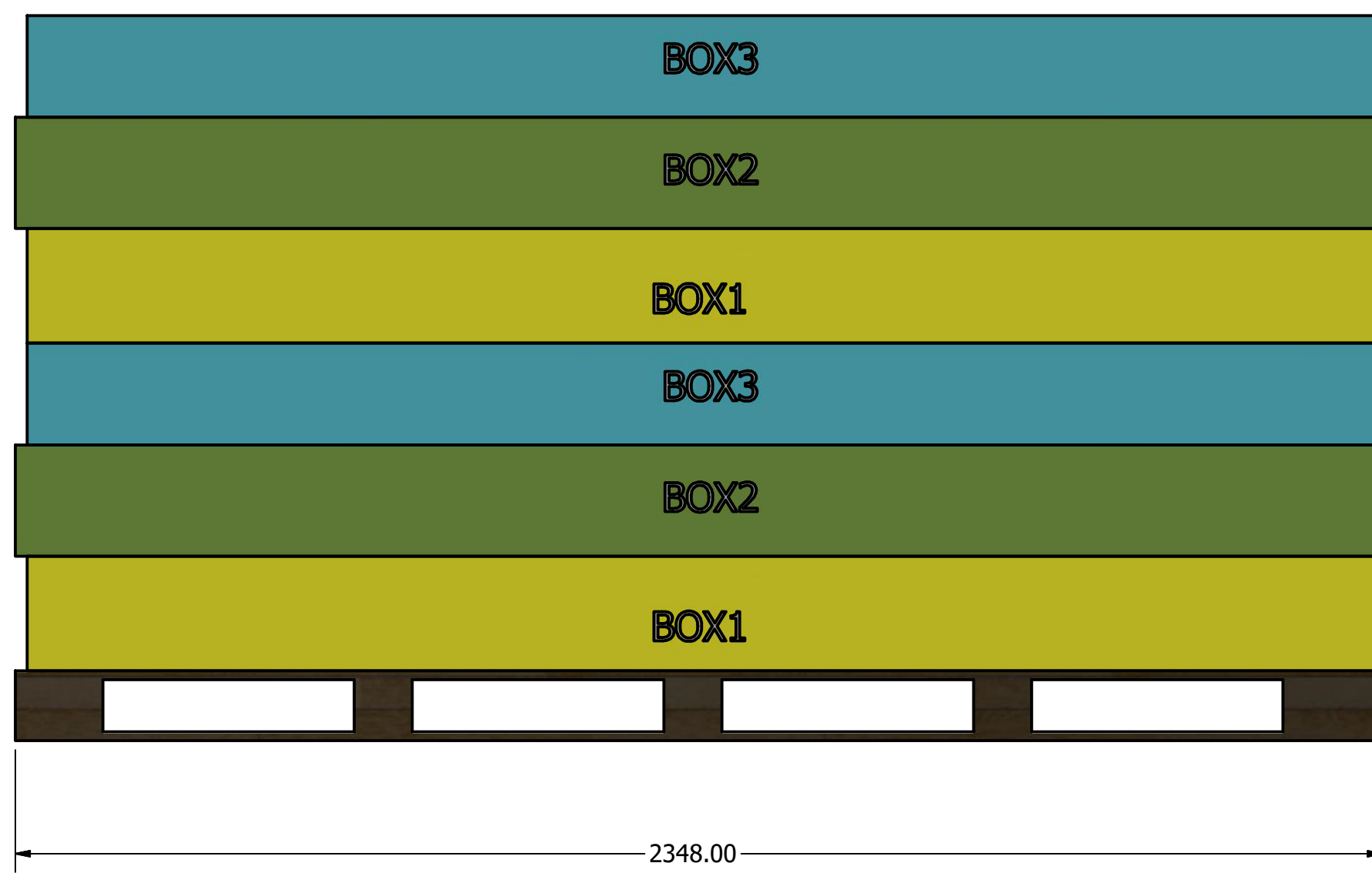
DRAWN Rudy		TITLE		
CHECKED				
QA		DWG NO		
MFG				
APPROVED		REV		
SCALE 0.04		SHEET 1 OF 1		

# Pallet A detail (4 sets)

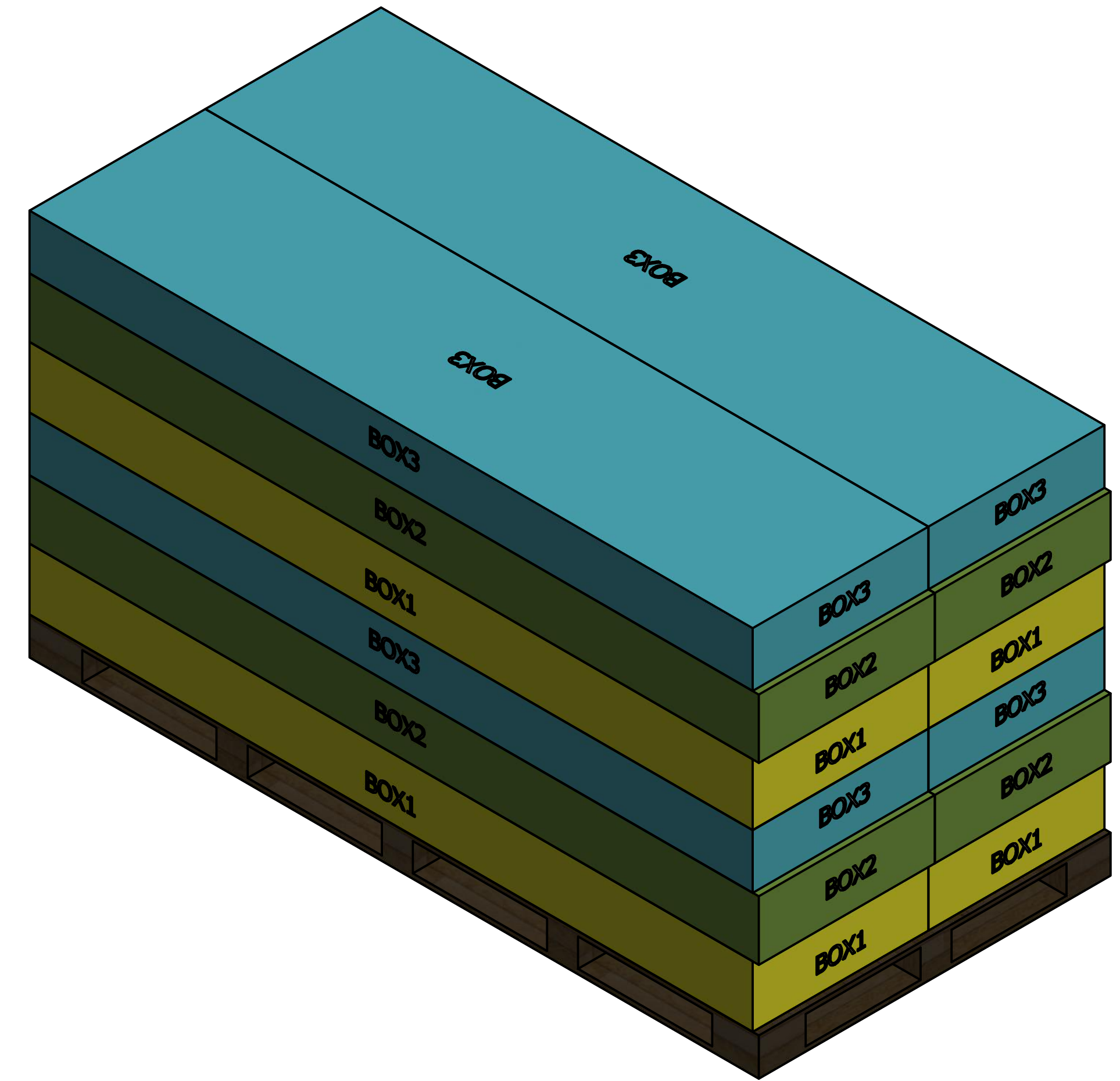
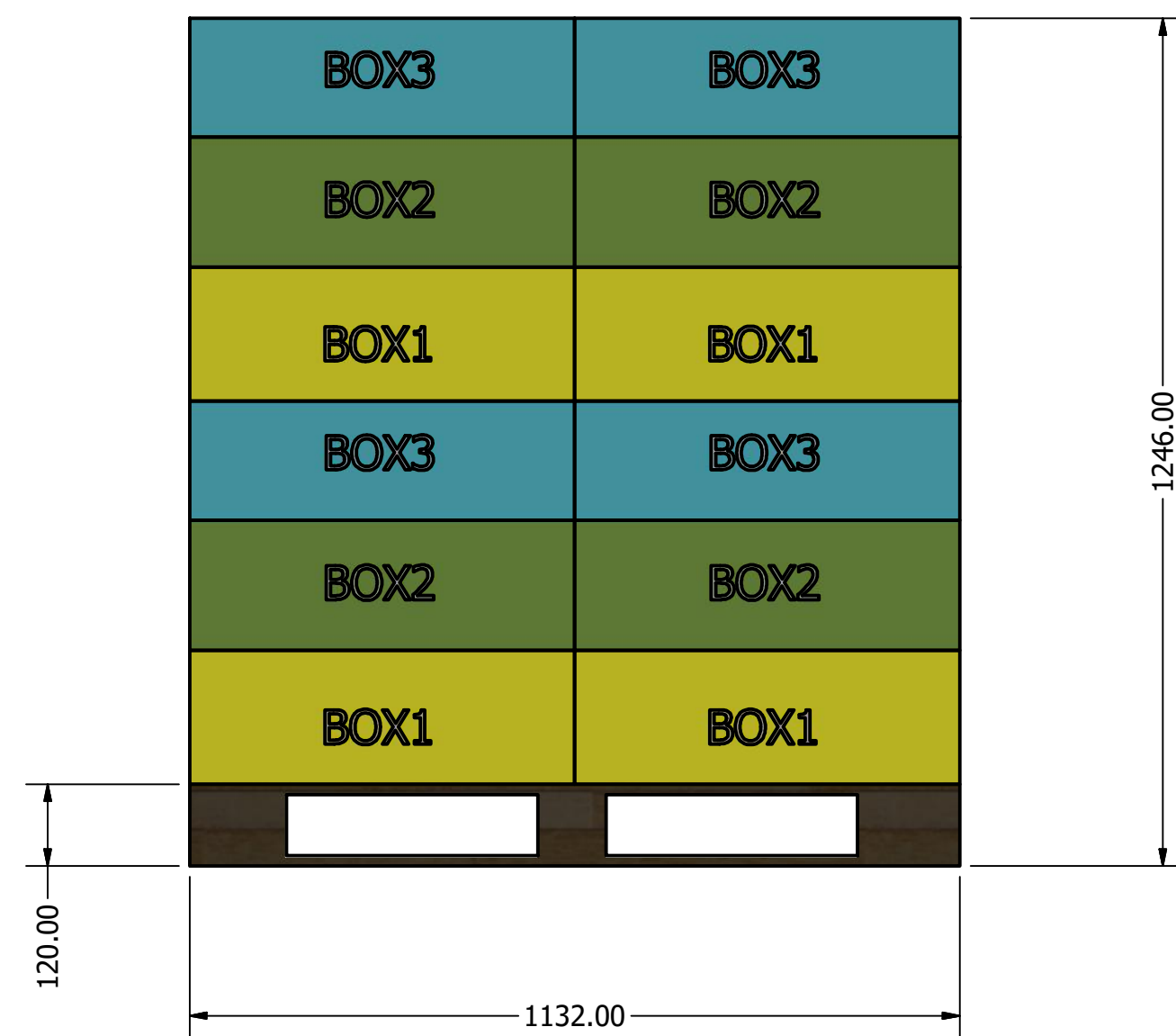
Top View



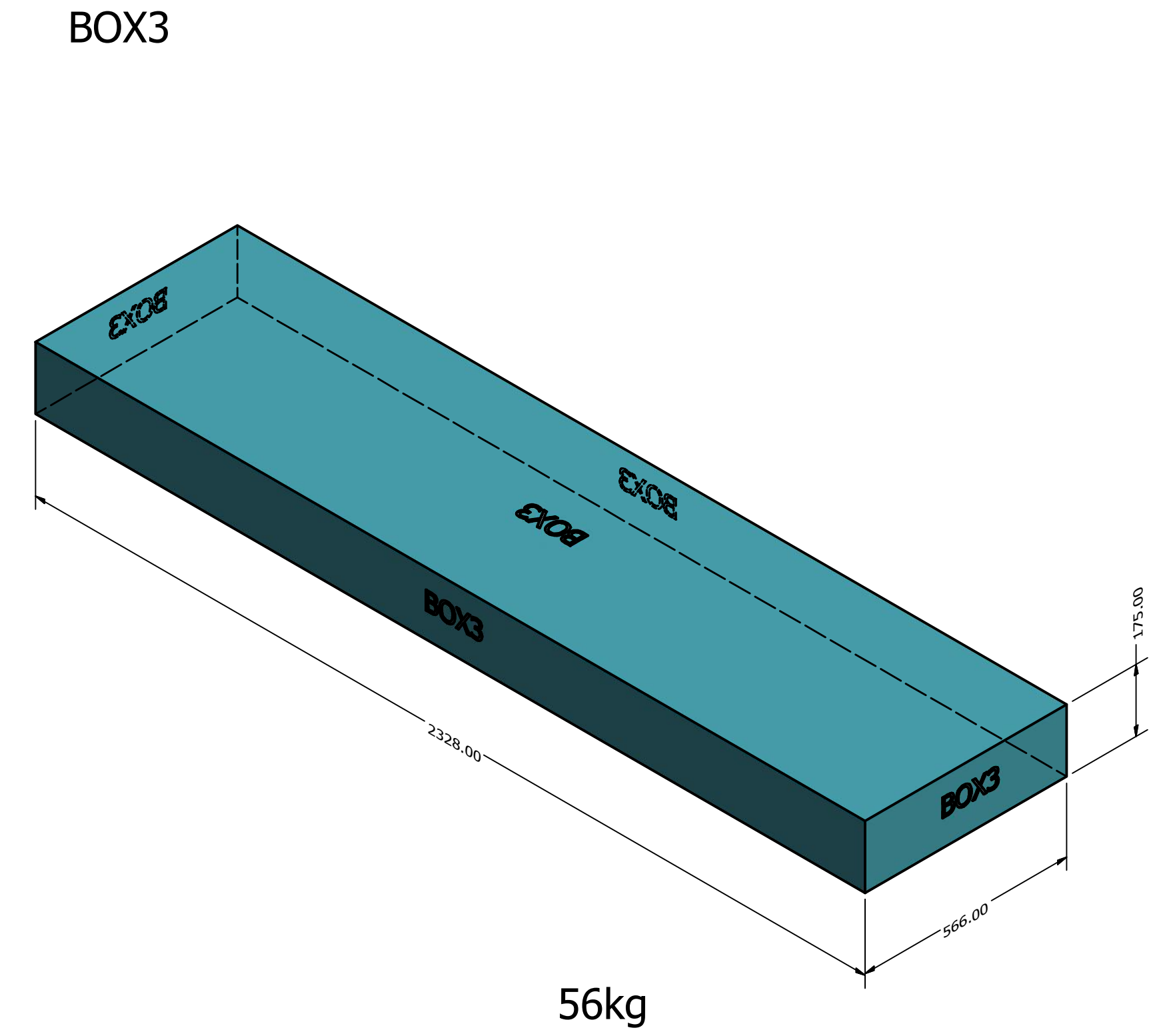
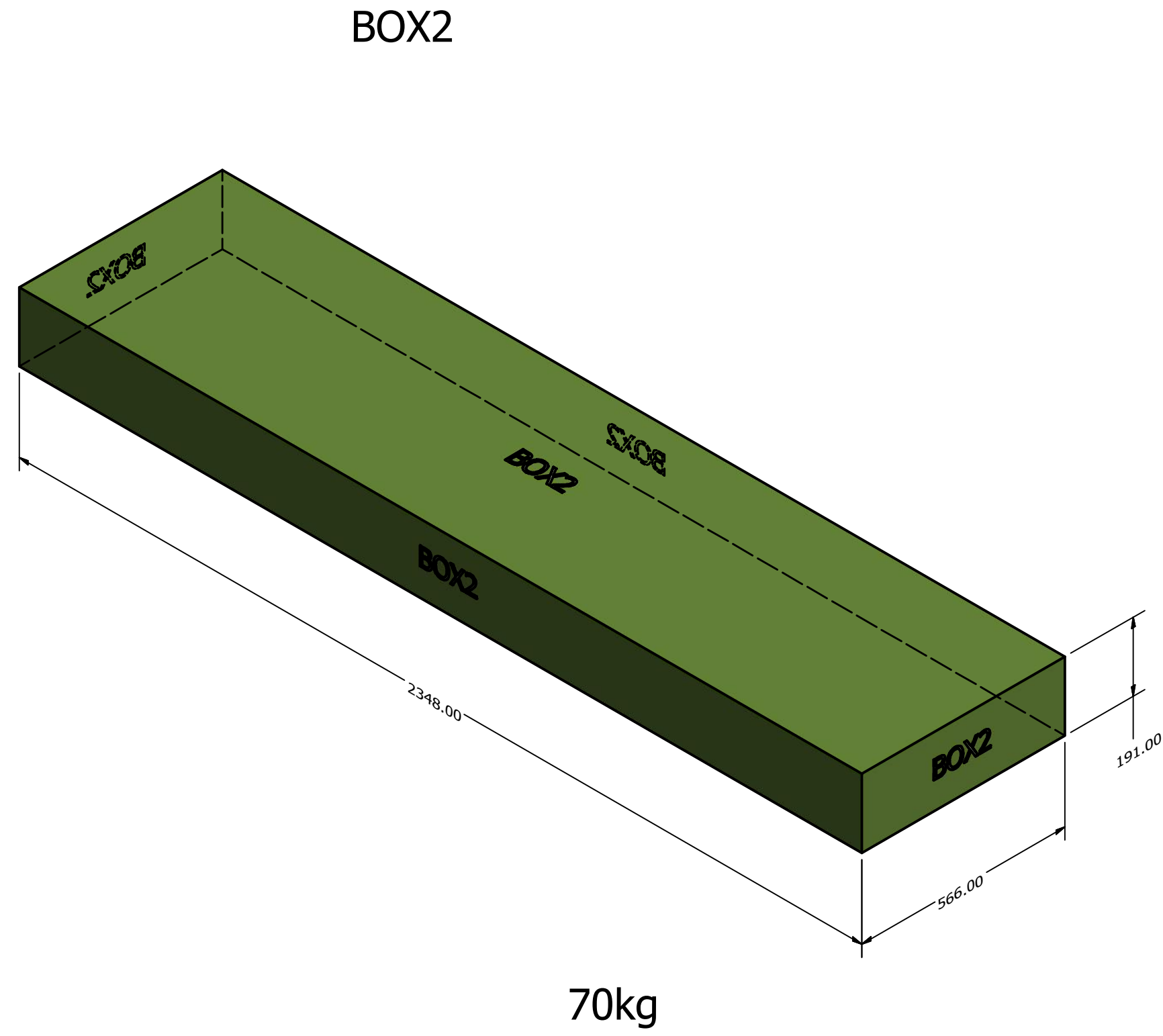
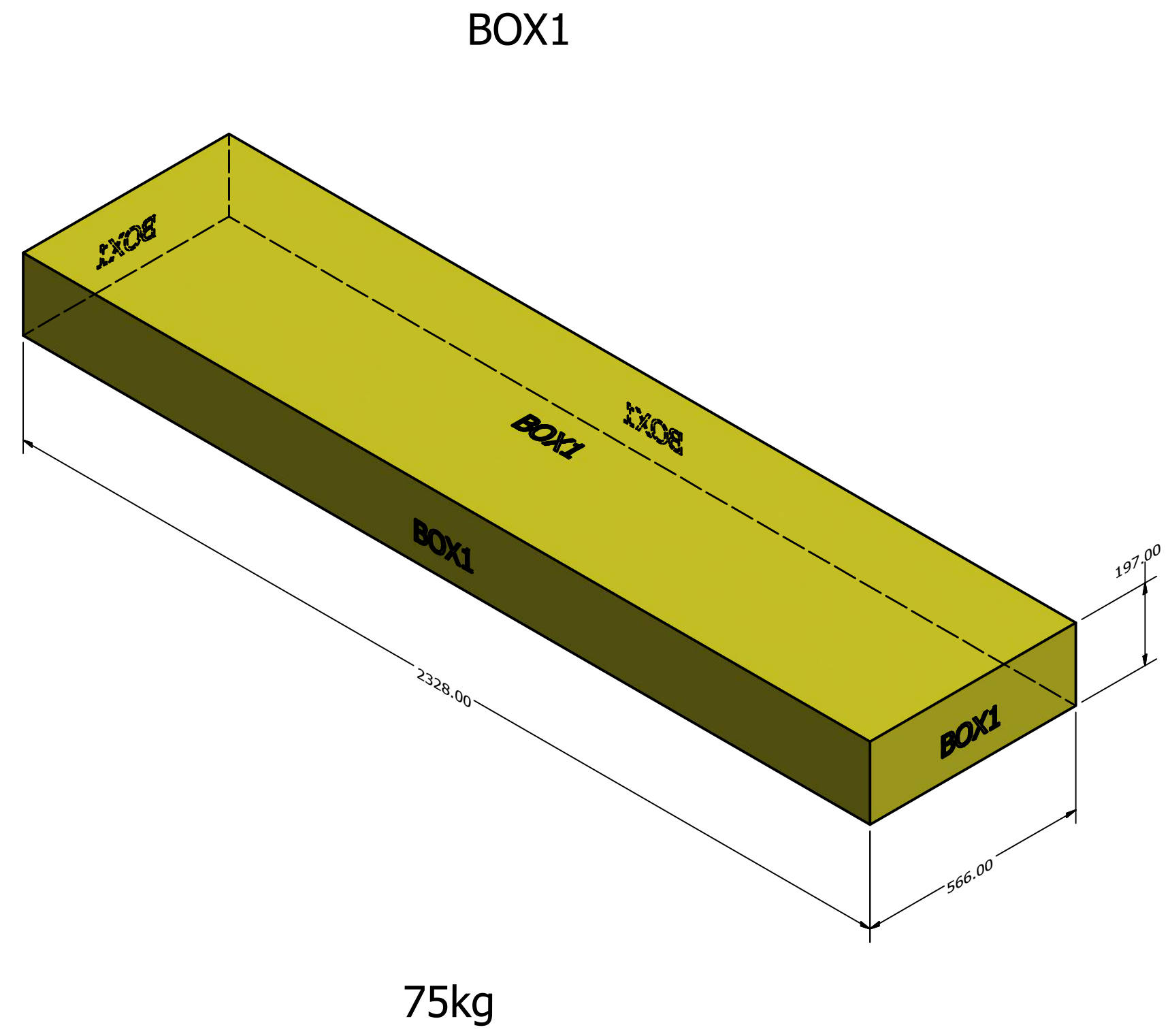
Side View



End View



DRAWN Rudy	2019-12-16		
CHECKED		TITLE	
QA			
MFG			
APPROVED			
		SIZE D	DWG NO Pallet A
		SCALE 0.1 : 1	REV
		SHEET 1 OF 1	



DRAWN	Rudy	2019-12-16			
CHECKED			TITLE		
QA					
MFG					
APPROVED					
			SIZE	DWG NO	REV
			D	BOXES	
			SCALE	0.10	SHEET 1 OF 1