



Manufactured by:
Backyard Discovery
3305 Airport Drive, Pittsburg, KS
66762 800-856-4445

Basepoint Business Centre: Rivermead Drive, Westlea, Swindon SN5 7EX Phone: 0800-118-2476
J.P. Coenstraat 7, The Bridge, The Hague, 2595 WP, Netherlands Phone: 08005678990

ANIMAL ENCLOSURE

MODEL # : 2508057



Please visit www.backyarddiscovery.com
For the most up to date assembly manual, to register your product, or to order
replacement parts *Para obtener instrucciones en español, visite*
www.backyarddiscovery.com



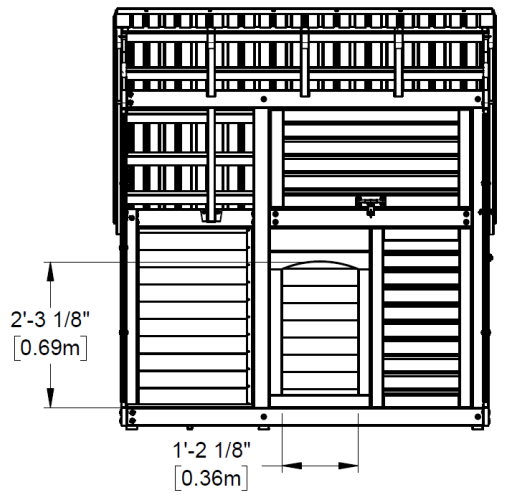
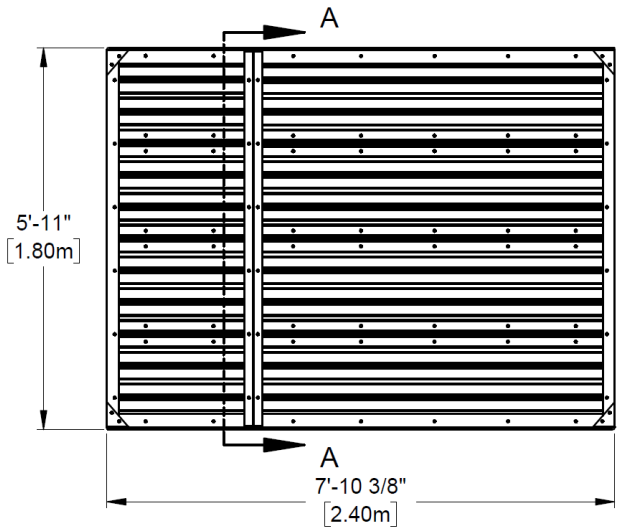
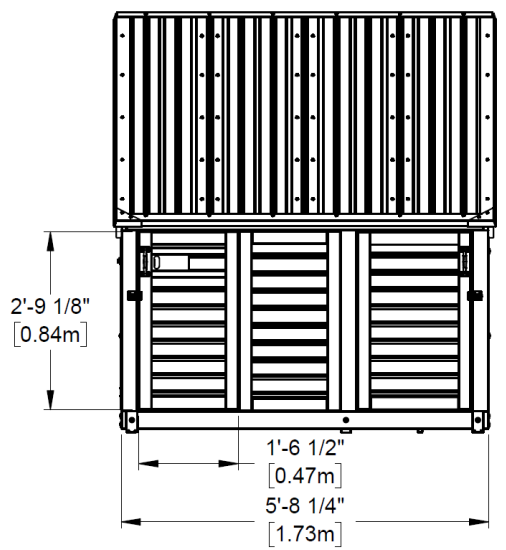
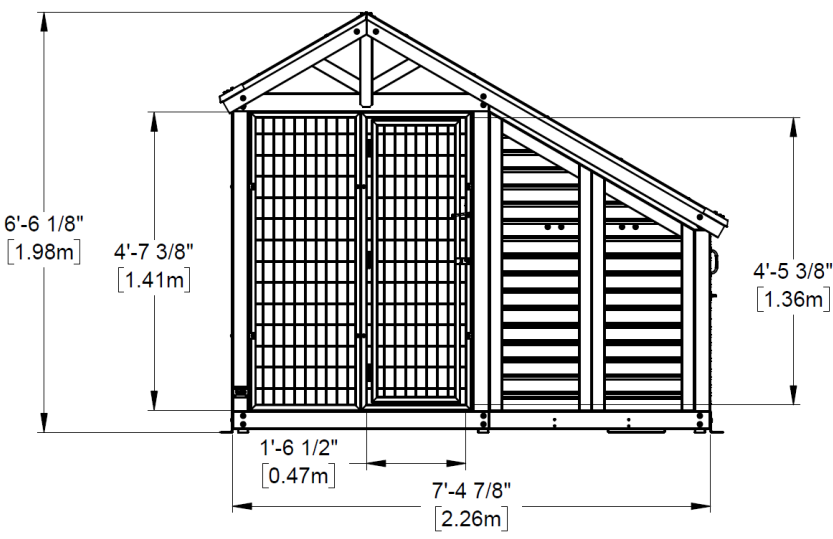
EASY STEP-BY-STEP
3D INTERACTIVE INSTRUCTIONS
DOWNLOAD THE FREE APP



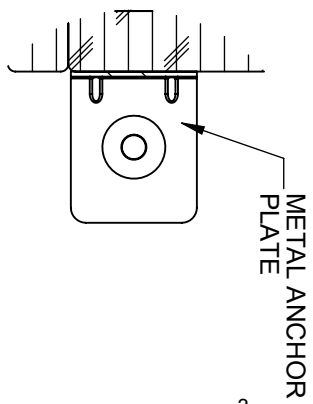
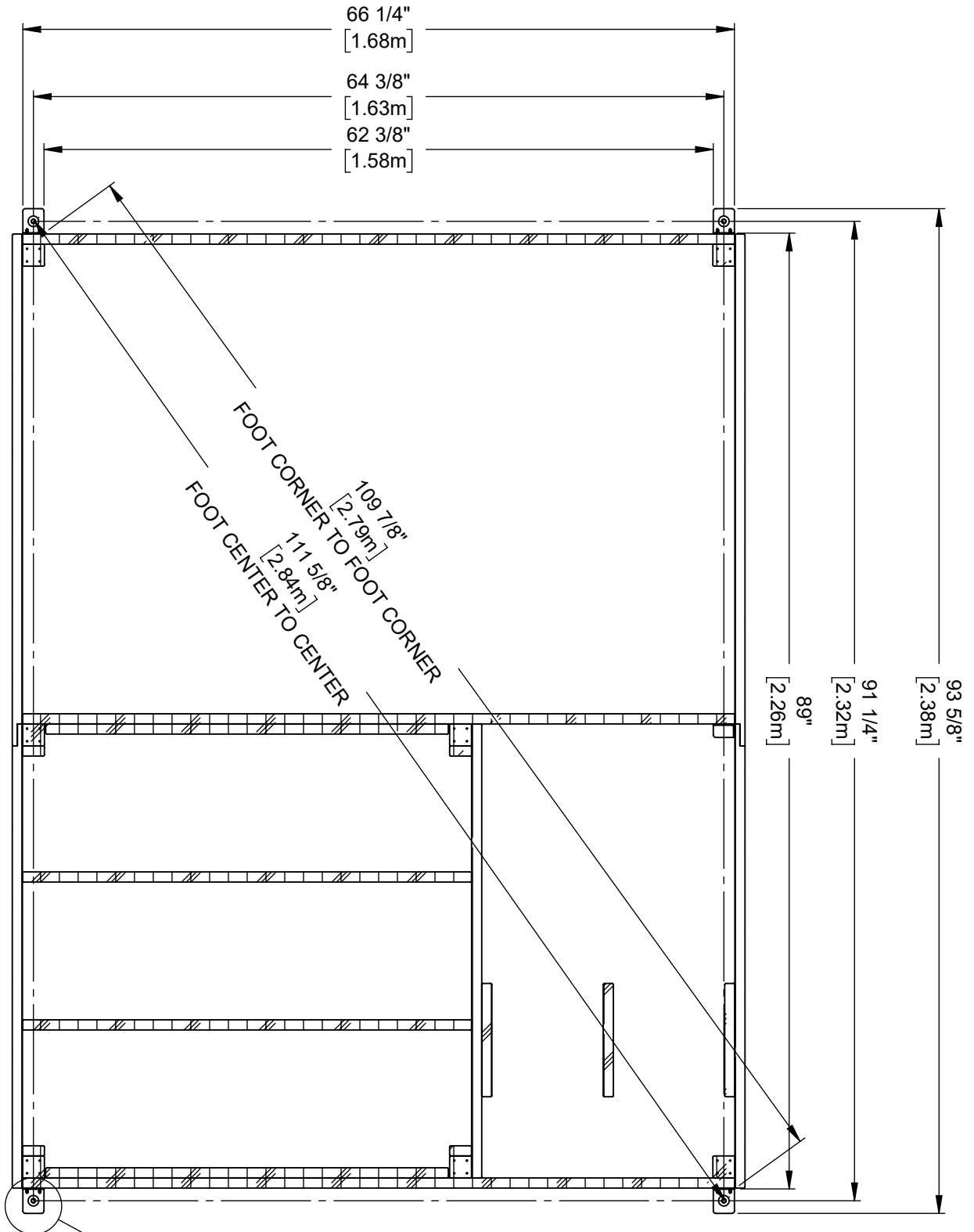
OWNER'S MANUAL - BASIC SETUP DIMENSIONS & ASSEMBLY NOTES

It is critically important that you start with a square and level surface. A concrete pad is recommended to avoid digging and for easy cleaning.

- Pay close attention to items needed for each step and make sure you are using the correct hardware. Incorrect hardware may result in improper assembly.
- Double check for underground utilities and overhead lines.
- While determining location, keep in mind the kennel door position is customizable. See "Choosing a Door Location" in this manual.
- Before building, make sure your location is not too exposed to wind and direct sun.
- Post mounts are provided with your structure which allows you to permanently install your structure to a concrete or dirt surface. See Anchor Instructions for further details and recommendations.



OWNER'S MANUAL - ANCHORING LAYOUT



OWNER'S MANUAL - SITE LOCATION AND PREPARATION

- A. Check your local building and city codes for permit requirements or restrictions, including any HOA restrictions.
- B. Select a location with good drainage, and the ability to create a level firm surface for your animal enclosure.
 - A firm, level surface is critically important to the longevity of your animal enclosure.
 - Ensure it is accessible on all sides to clean and conduct annual maintenance
 - Make sure site drains well and avoid low lying areas.
 - Recommended area for site preparation of the animal enclosure is 9'-10 3/8" x 7'-11" x 6' 6" (3008mm x 2414mm x 1981mm).
- C. Before preparing your surface – double check for possibility of any underground utilities (example: gas, cable, or sprinkler lines)
 - Remove any grass, dirt, landscaping to create a level, hard-packed surface
 - This may involve some digging to create a level spot, dependent on your site location.
- D. Determine your preferred site pad materials for your animal enclosure
 - It is NOT recommended to put the animal enclosure directly on soil or grass. This will shorten the lifespan of your kennel.
 - Site pad options include gravel, or concrete surface.
 - Anchors are included for either natural surface, such as gravel, or for a concrete foundation.
 - Manufacturer recommends installation on concrete surface.

Owner's Manual - Parts Identification

Wood Components (Not to Scale)



B1 POST - W4L19156
(x1) 3"X3"X62 7/16" (76x76x1586)



B2 POST - W4L19158
(x1) 3"X3"X62 7/16" (76x76x1586)



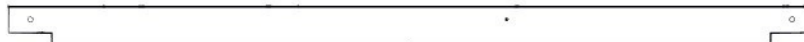
B3 POST - W4L19161
(x1) 3"X3"X62 7/16" (76x76x1586)



B4 POST - W4L19164
(x1) 3"X3"X40 5/16" (76x76x1024)



B5 POST - W4L19167
(x1) 3"X3"X40 5/16" (76x76x1024)



B6 POST - W4L19172
(x1) 3"X3"X62 7/16" (76x76x1586)



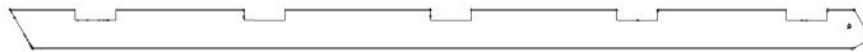
B7 POST - W4L19460
(x1) 3"X3"X40 5/16" (76x76x1024)



E1 RAFTER - W4L19467
(x3) 1 7/16"x3 3/8"x28 1/4" (36x86x716)



E2 RAFTER - W4L19468
(x2) 1 7/16"x3 3/8"x73 1/8" (36x86x1857)



E3 RAFTER - W4L19529
(x1) 1 7/16"x3 3/8"x73 1/8" (36x86x1857)



H1 TOP BOARD - W4L19157
(x1) 15/16"X3 3/8"X66 3/8" (24x86x1686)



H2 TOP BOARD - W4L19159
(x1) 15/16"X3 3/8"X47 11/16" (24x86x1211)



H3 GROUNDBOARD - W4L19160
(x1) 15/16"X3 3/8"X47 11/16" (24x86x1211)



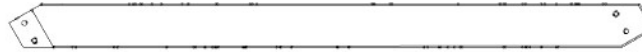
H4 TOP BOARD - W4L19162
(x1) 15/16"X3 3/8"X47 11/16" (24x86x1211)

Owner's Manual - Parts Identification

Wood Components (Not to Scale)



H5 TOP BOARD - W4L19163
(x1) 15/16"X3 3/8"X50 3/16" (24x86x1275)



H6 TOP BOARD - W4L19165
(x1) 15/16"X3 3/8"X50 3/16" (24x86x1275)



H7 GROUNDBOARD - W4L19166
(x1) 15/16"X3 3/8"X47 11/16" (24x86x1211)



H8 GROUNDBOARD - W4L19168
(x1) 15/16"X3 3/8"X43 1/4" (24x86x1098)



H9 GROUNDBOARD - W4L19169
(x1) 15/16"X3 3/8"X43 1/4" (24x86x1098)



H10 GROUNDBOARD - W4L19170
(x1) 15/16"X3 3/8"X66 3/8" (24x86x1686)



H11 GROUNDBOARD - W4L19171
(x1) 15/16"X3 3/8"X42 5/16" (24x86x1074)



H12 GROUNDBOARD - W4L19173
(x1) 15/16"X3 3/8"X66 3/8" (24x86x1686)



H13 TOP BOARD - W4L19174
(x1) 15/16"X3 3/8"X49 3/8" (24x86x1254)



H14 FLOOR BOARD - W4L19178
(x11) 15/16"X3 3/8"X42 3/16" (24x86x1072)



H15 WALL BOARD - W4L19180
(x1) 15/16"X3 3/8"X37 3/4" (24x86x959)



M4 FLOOR BOARD - W4L19456
(x5) 5/8"x3 3/8"x42 3/16" (16x86x1072)



M1 FLOORBOARD - W4L19457
(x2) 5/8"x3 3/8"x42 3/16" (16x86x1072)



H18 TOP BOARD - W4L19459
(x1) 15/16"X3 3/8"X66 3/8" (24x86x1686)



H19 TOP BOARD - W4L19461
(x1) 15/16"X3 3/8"X66 3/8" (24x86x1686)

Owner's Manual - Parts Identification

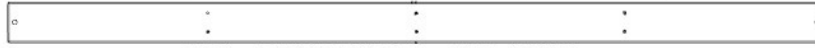
Wood Components (Not to Scale)



H20 FASCIA BOARD - W4L19463
(x1) 15/16"x3 3/8"x31 5/16" (24x86x795)



H21 FASCIA BOARD - W4L19464
(x1) 15/16"x3 3/8"x77 3/8" (24x86x1966)



H22 RIDGE BEAM - W4L19466
(x2) 15/16"x3 3/8"x68 1/4" (24x86x1734)



M2 FLOOR BOARD - W4L19469
(x1) 5/8"x3 3/8"x40 3/16" (16x86x1021)



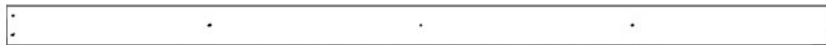
M3 FLOOR BOARD - W4L19470
(x3) 5/8"x3 3/8"x40 3/16" (16x86x1021)



H25 FASCIA BOARD - W4L19522
(x1) 15/16"x3 3/8"x31 5/16" (24x86x795)



H26 FASCIA BOARD - W4L19523
(x1) 15/16"x3 3/8"x77 3/8" (24x86x1966)



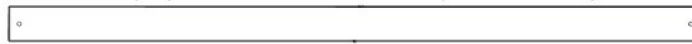
H27 SHEATHING BOARD - W4L19524
(x7) 15/16"x3 3/8"x68 1/4" (24x86x1734)



H28 BOWL CLEAT - W4L19525
(x2) 15/16"x3 3/8"x10 9/16" (24x86x268)



AD01 BOWL CLEAT - W4L19526
(x1) 15/16"x4"x10 9/16" (24x102x268)



H30 GROUNDBOARD - W4L19530
(x1) 15/16"x3 3/8"x66 3/8" (24x86x1686)



J1 FLOOR JOIST - W4L19175
(x2) 15/16"x2 3/8"x37 1/2" (24x60x953)



J2 FLOOR JOIST - W4L19176
(x2) 15/16"x2 3/8"x41 7/8" (24x60x1063)



J3 FLOOR BOARD - W4L19177
(x2) 15/16"x2 1/16"x38 1/8" (24x52x968)



J4 FLOOR CLEAT - W4L19179
(x4) 15/16"x2 1/16"x2 3/8" (24x52x60)

Owner's Manual - Parts Identification

Wood Components (Not to Scale)



J5 FLOOR JOIST - W4L19454
(x2) 15/16"X2 3/8"X41 9/16" (24x60x1055)



J6 FLOOR JOIST - W4L19455
(x2) 15/16"X2 3/8"X41 9/16" (24x60x1055)



N2 FLOOR BOARD - W4L19458
(x2) 5/8"x1 7/8"x38 1/8" (16x48x968)



N3 STOP BLOCK - W4L21179
(x2) 5/8"x1 7/8"x3 3/8" (16x48x86)



J8 GABLE BOARD - W4L19462
(x2) 15/16"X2 3/8"X13 7/16" (24x60x341)



J9 GABLE BOARD - W4L19465
(x4) 15/16"X2 3/8"X12 5/8" (24x60x320)



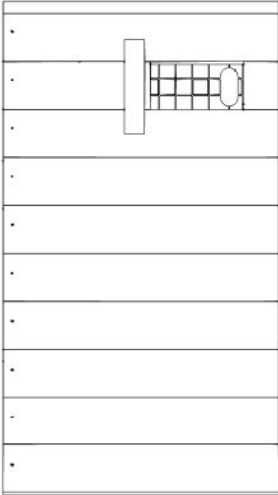
J10 CLEAT - W4L19527
(x1) 15/16"x2 3/8"x6 7/8" (24x60x175)



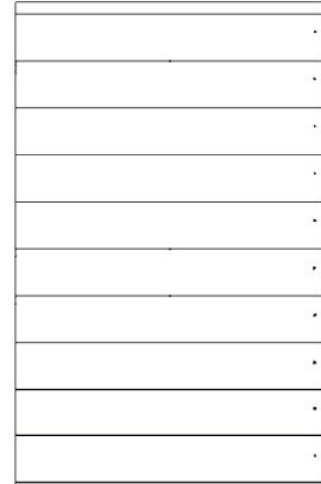
S1 CLEAT - W4L19521
(x4) 15/16"x15/16"x17 11/16" (24x24x450)

Owner's Manual - Parts Identification

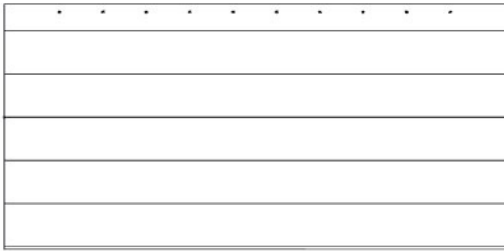
Wood Components (Not to Scale)



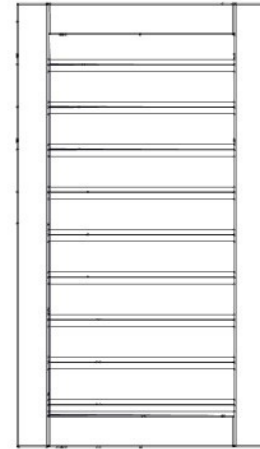
DP1 ENCLOSURE DOOR - W2A04051
(x1) 1 1/4"X18 7/16"X33 1/16" (32x469x840)



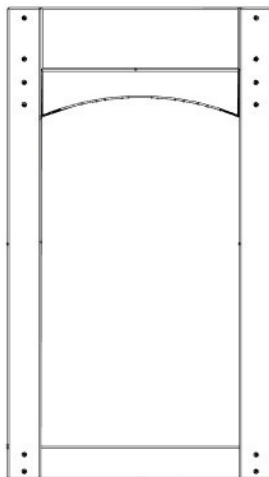
DP2 DOOR PANEL - W2A04052
(x1) 1 1/16"X21 1/16"X33 1/16" (27x535x840)



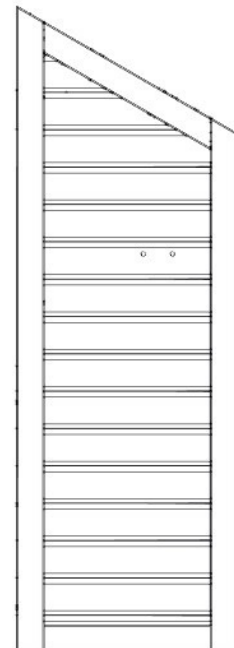
DP3 STORAGE DOOR - W2A04053
(x1) 1 1/16"X18 1/4"X37 5/16" (27x464x947)



WP1 WALL PANEL - W2A04044
(x1) 1 1/16"X18 3/4"X33 1/2" (27x477x850)



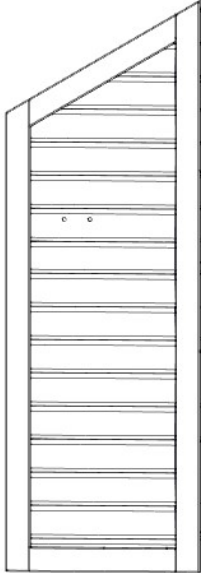
WP2 DOOR FRAME - W2A04045
(x1) 1 7/16"X18 13/16"X33 1/2" (36x478x850)



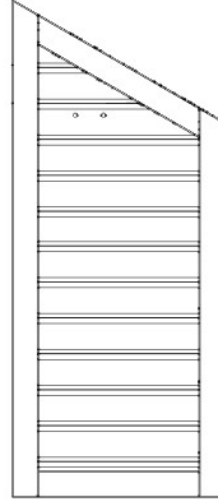
WP3 WALL PANEL - W2A04046
(x1) 1 1/16"X19 1/16"X55 5/8" (27x484x1412)

Owner's Manual - Parts Identification

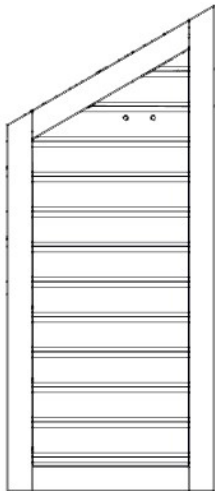
Wood Components (Not to Scale)



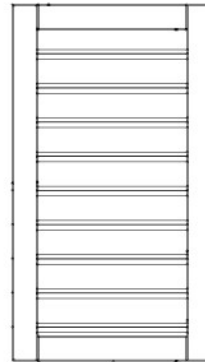
WP4 WALL PANEL - W2A04047
(x1) 1 1/16"X19 1/16"X44 9/16" (27x484x1133)



WP5 WALL PANEL - W2A04048
(x1) 1 1/16"X19 1/16"X55 5/8" (27x484x1412)



WP6 WALL PANEL - W2A04049
(x1) 1 1/16"X19 1/16"X44 9/16" (27x484x1133)



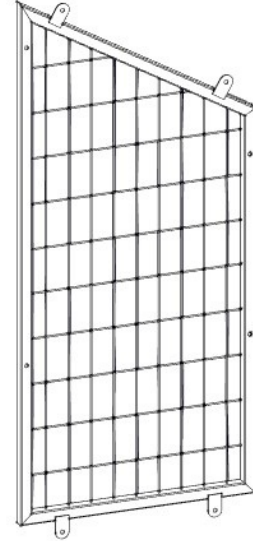
WP7 WALL PANEL - W2A04050
(x1) 1 1/16"X18 3/4"X33 1/2" (27x477x850)

Owner's Manual - Parts Identification

Accessory Components (Not to Scale)



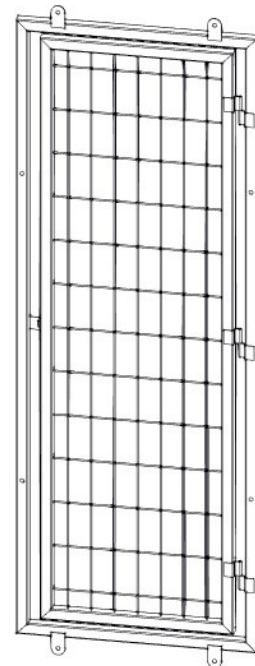
MP01 METAL PANEL - A4M02614
(x5) 1 1/16"X20 1/2"X58 9/16" (27.4x520x1488)



MP02 METAL PANEL - A4M02618
(x1) 1 1/16"X20 1/2"X46 15/16" (27x520x1192)



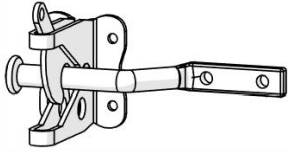
MP03 METAL PANEL - A4M02617
(x1) 1 1/16"X20 1/2"X57 15/16" (27.4x520x1472)



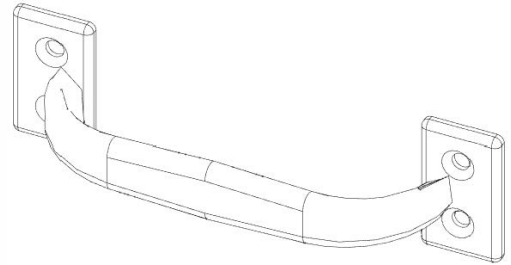
MP04 METAL DOOR PANEL ASSEMBLY - A4M02619
(x2) 1 1/16"X20 1/2"X58 9/16" (27x520x1488)

Owner's Manual - Parts Identification

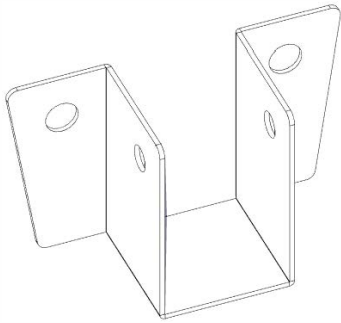
Accessory Components (Not to Scale)



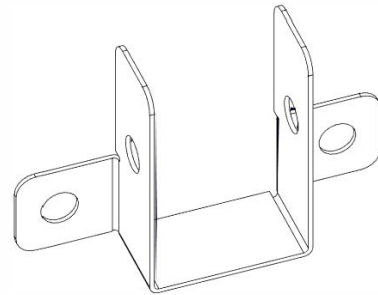
A100264 DOOR LATCH
(x2)



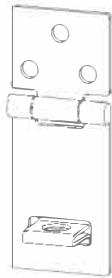
A4M00559 PULL HANDLE
(x3)



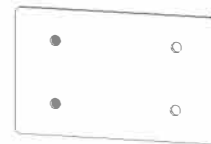
A4M01787 RAFTER BRACKET
(x6)



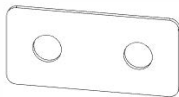
A4M01148 TRUSS BRACKET
(x2)



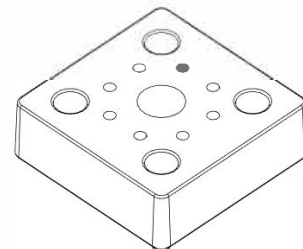
A4M02627 HASP LOCK
(x3)



A4M00997 METAL CLEAT
(x10)



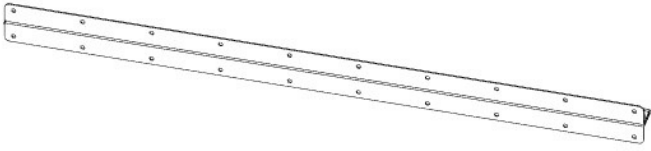
A4M02616 METAL PANEL FLAT BRACKET
(x12)



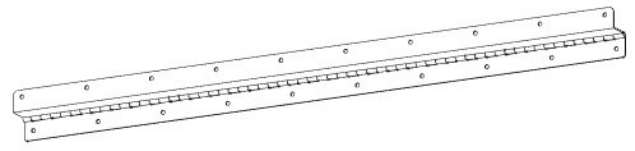
A6P00651 2x2 POST FOOT
(x7)

Owner's Manual - Parts Identification

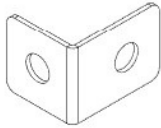
Accessory Components (Not to Scale)



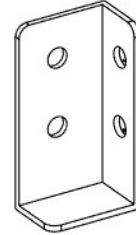
A4M02726 HINGE 832mm
(x2)



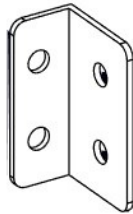
A4M02289 HINGE 832mm
(x1)



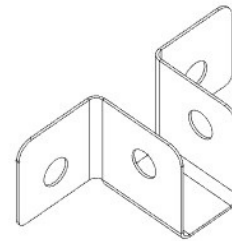
A4M02615 METAL PANEL BRACKET
(x12)



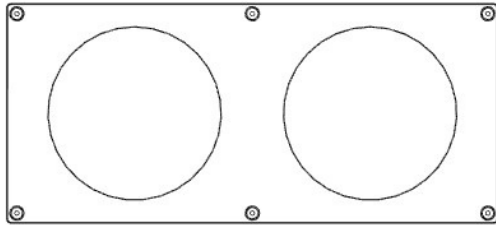
A4M02633 BRACKET FOOT
(x1)



A4M00855 L BRACKET 51x32x82x3.175
(x3)



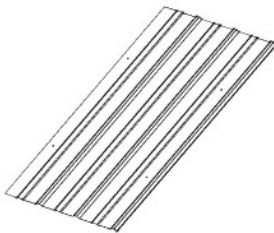
A4M02606 JOIST HANGER 90°
(x4)



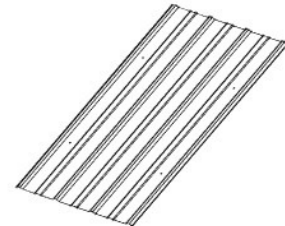
A6P00678 BOWL FRAME
(x1)



A4M02632 METAL STRAP 118mm
(x2)



A4M02622 29 GA SHEETING
(x2)



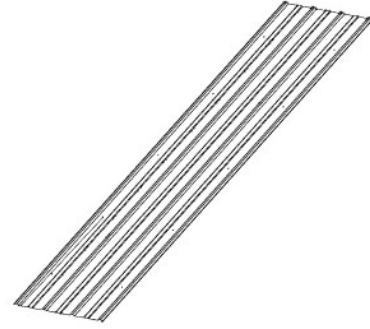
A4M02623 29 GA SHEETING
(x2)

Owner's Manual - Parts Identification

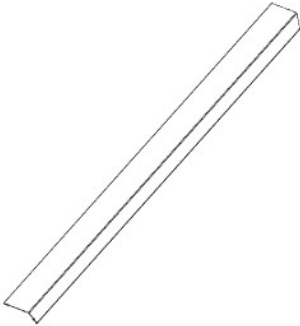
Accessory Components (Not to Scale)



A4M02620 29 GA SHEETING
(x2)



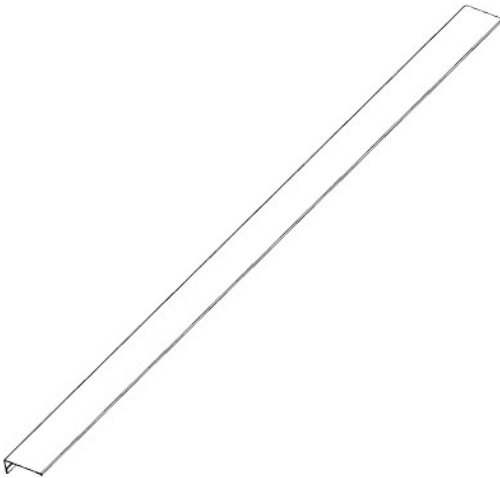
A4M02621 29 GA SHEETING
(x2)



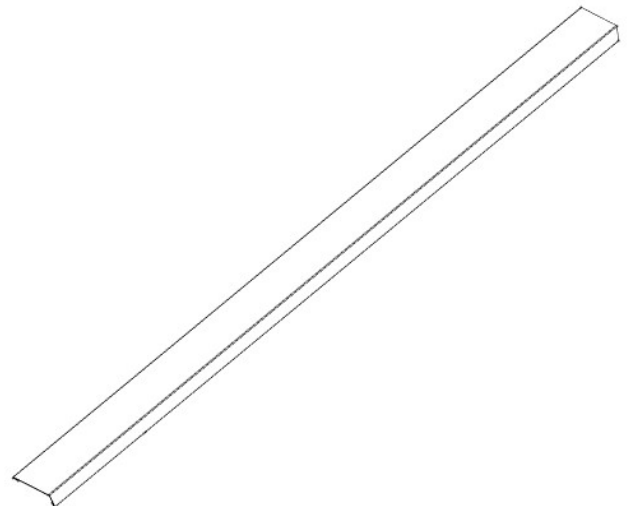
A4M02630 ROOF EDGE TRIM
(x1)



A4M02631 ROOF EDGE TRIM
(x1)



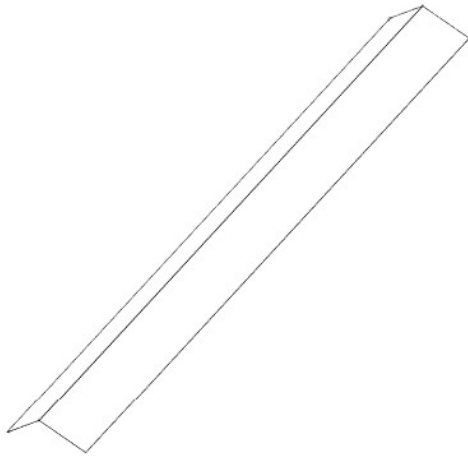
A4M02628 ROOF EDGE TRIM
(x1)



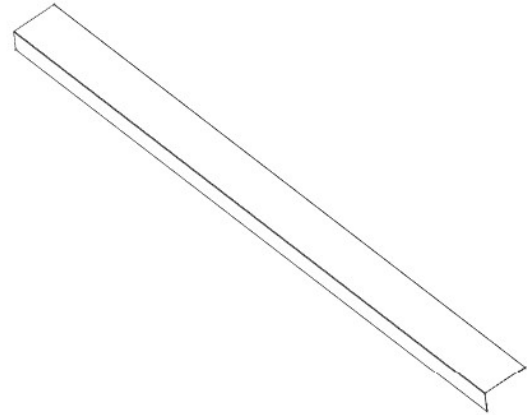
A4M02629 ROOF EDGE TRIM
(x1)

Owner's Manual - Parts Identification

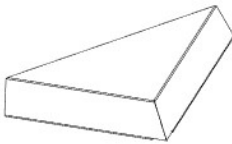
Accessory Components (Not to Scale)



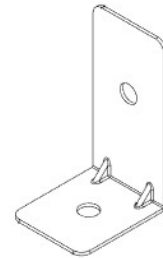
A4M02624 RIDGE CAP
(x1)



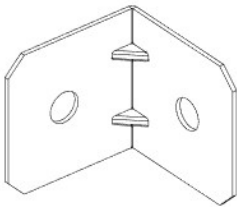
A4M02625 ROOF EDGE TRIM
(x2)



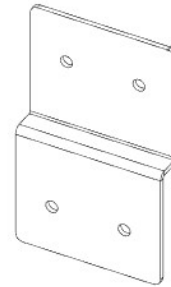
A4M02696 CORNER CAP
(x4)



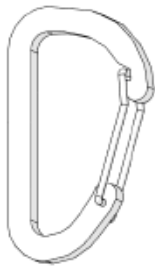
A4M02941 ANCHORING BRACKET
(x4)



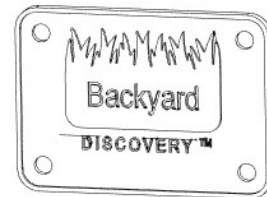
A4M01785 ANGLE BRACKET
(x37)



A4M01846 Z TIE BRACKET
(x2)



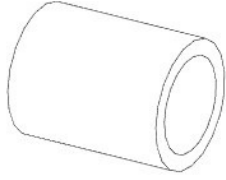
A4M02971 CARABINER
(x7)



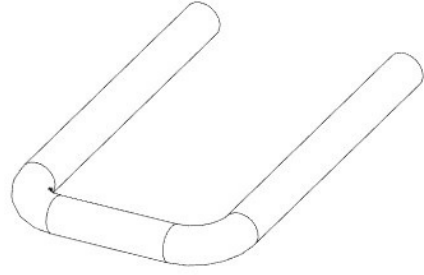
A4M02158 BYD ID TAG PATIO
(x1)

Owner's Manual - Parts Identification

Accessory Components (Not to Scale)



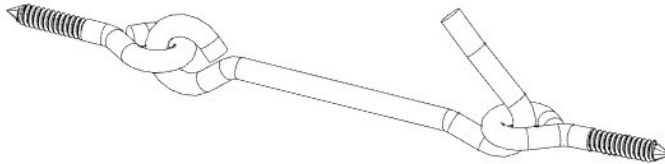
A6P00964 SPACER
(x4)



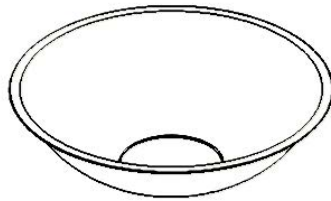
A4M03140 U-BAR
(x2)



A4M02091 GROUND STAKE
(x4)



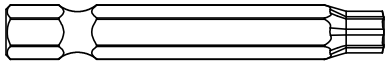
A4M03459 SWING HOOK LATCH
(x1)



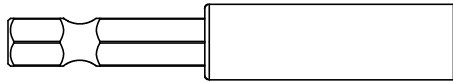
A4M05903 BOWL
(x2)

Owner's Manual - Parts Identification

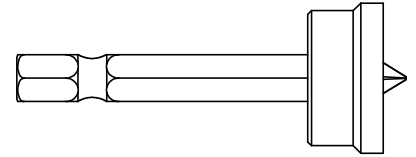
Hardware Components



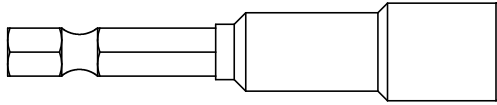
H100147 | TORX BIT
(x1) | T-30



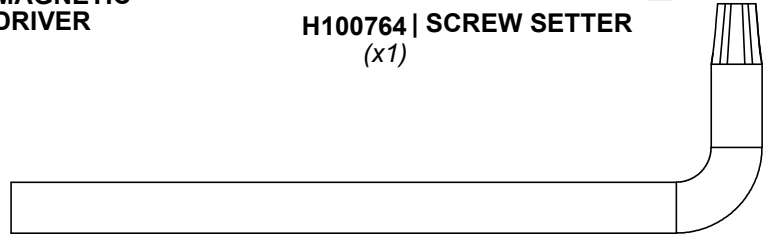
H101100 | MAGNETIC DRIVER
(x1)



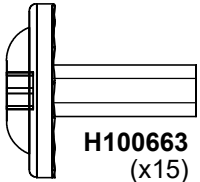
H100764 | SCREW SETTER
(x1)



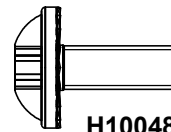
H101106 | SOCKET DRIVER
(x1)



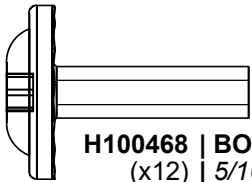
H100114 | TORX WRENCH
(x1) | T-30



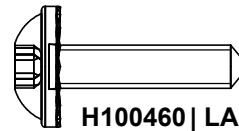
H100663 | BOLT WH BLK
(x15) | 5/16 x 3/4



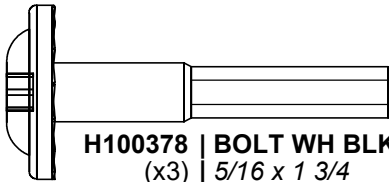
H100486 | BOLT WH BLK
(x48) | 1/4 x 5/8



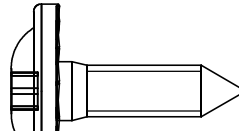
H100468 | BOLT WH BLK
(x12) | 5/16 x 1



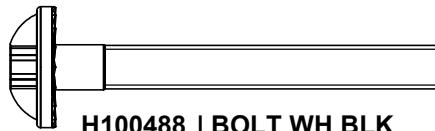
H100460 | LAG SCREW WH BLK
(x48) | 1/4 x 1



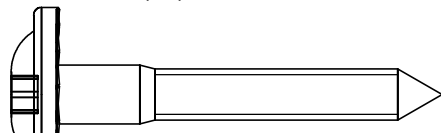
H100378 | BOLT WH BLK
(x3) | 5/16 x 1 3/4



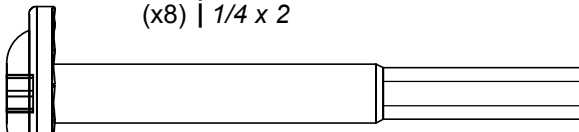
H100854 | LAG SCREW WH BLK
(x4) | 5/16 x 1



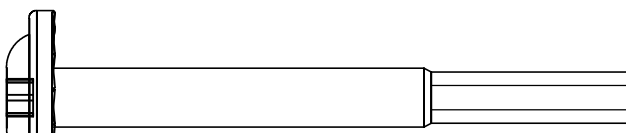
H100488 | BOLT WH BLK
(x8) | 1/4 x 2



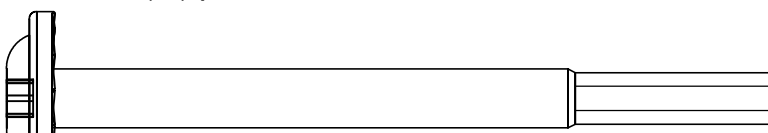
H100458 | LAG SCREW WH BLK
(x2) | 5/16 x 2



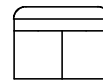
H100195 | BOLT WH BLK
(x28) | 5/16 x 2 3/4



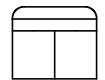
H100416 | BOLT WH BLK
(x3) | 5/16 x 3



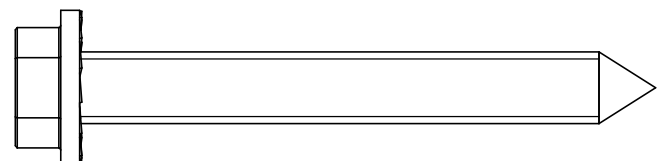
H100415 | BOLT WH BLK
(x11) | 5/16 x 3 3/4



H100479 | NUT LOCK BLK
(x8) | 5/16



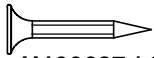
H100653 | NUT LOCK BLK
(x6) | 1/4



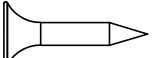
H101165 | CONCRETE ANCHOR 3/8"x3" BLK
(x4)

Owner's Manual - Parts Identification

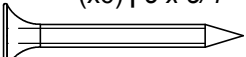
Hardware Components



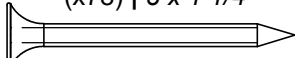
H100627 | SCREW PFH BLK
(x66) | 6 x 3/4



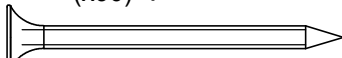
H100395 | SCREW PFH BLK
(x6) | 8 x 3/4



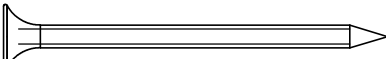
H100387 | SCREW PFH BLK
(x78) | 8 x 1 1/4



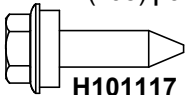
H100200 | SCREW PFH BLK
(x90) | 8 x 1 1/2



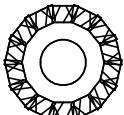
H100382 | SCREW PFH BLK
(x49) | 8 x 1 3/4



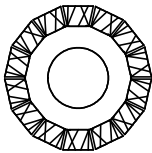
H100391 | SCREW PFH BLK
(x98) | 8 x 2



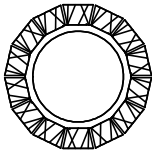
H101117 | SCREW WOODGRIP
(x88) | 10 - 16 x 3/4



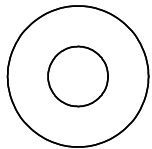
H100405 | WASHER LOCK EXT BLK
(x12) | 6 x 15



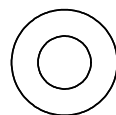
H100198 | WASHER LOCK EXT BLK
(x56) | 8 x 19



H100199 | WASHER LOCK EXT BLK
(x2) | 12 x 19



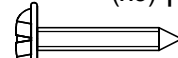
H100630 | WASHER FLAT BLK
(x8) | 8 x 19



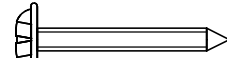
H101133 | WASHER FLAT BLK
(x6) | 8 x 14



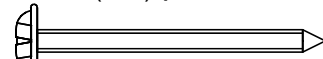
H100202 | SCREW PWH BLK
(x3) | 8 x 5/8



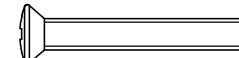
H100392 | SCREW PWH BLK
(x94) | 8 x 3/4



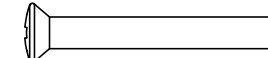
H100797 | SCREW PWH BLK
(x52) | 8 x 1



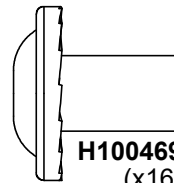
H100823 | SCREW PWH BLK
(x6) | 8 x 1 1/2



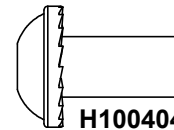
H100806 | SCREW POH BLK
(x12) | 8-32 x 1 1/8



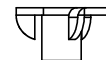
H101076 | SCREW POH BLK
(x4) | 8-32 x 1 1/4



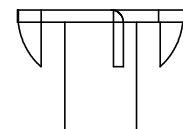
H100469 | NUT BARREL WH BLK
(x16) | 5/16 X 5/8



H100404 | NUT BARREL WH BLK
(x50) | 1/4 x 5/8



H100804 | T-NUT 8/32
(x16) |



H100379 | T-NUT BLK
(x48) | 5/16

PRE-ASSEMBLY STEP 1 - SORTING PARTS

It is critical for ease of assembly that you take the time to sort and organize the wood and hardware.

WOOD PARTS:

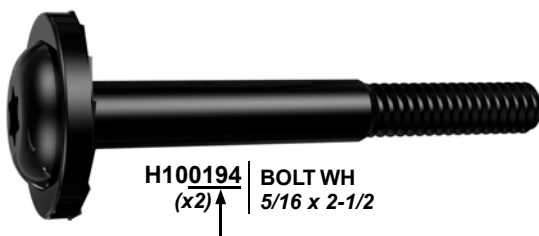
- Organize wood parts by the three-digit, alpha-numeric number stamped on each board (ex. P01).
- If there are multiple boards with the same stamped number, stack those pieces together.
- Stamps can be found on the flat surface of the boards or on the end of the boards.
- Allow yourself plenty of room - the wood pieces can take up a significant amount of space.

NOTE: CARTONS ARE NOT ORGANIZED BY BOARD NUMBER.



HARDWARE PARTS:

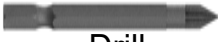
- We recommend that you have a separate table to organize the hardware.
- Hardware bags are printed with a seven-digit, alpha-numeric part number.
- You can organize your hardware by part number or group by hardware type (i.e. bolts, nuts, etc.).
- During assembly you only need to reference the last four digits of the number.



PRE-ASSEMBLY STEP 2 - TOOLS REQUIRED



Cordless Drill
or Electric Drill



Drill
Attachments:
Phillips Head



1/8", 3/16", 3/8" &
7/16" Drill Bits



Phillips Screw Driver



Open End
Wrenches 1/2" &
9/16"



3/8" Drive Ratchet, 1/2" &
7/16" STD Sockets 1/2" & 7/16"
Deep Sockets



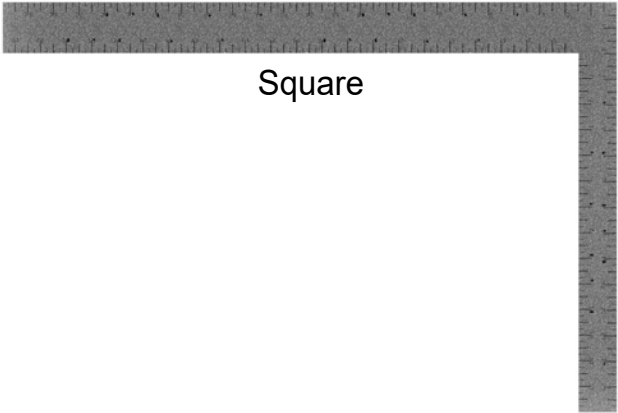
Claw Hammer



Rubber Mallet
- Optional



Tape Measure



Square



Level 24"

PRE-ASSEMBLY STEP 3 - CHOOSE YOUR ASSEMBLY METHOD

There are several types of assembly instructions available to you.

1. Printed Assembly Manual included with your set
2. BILT APP - 3D interactive instructions
3. Combination of the Printed Manual and BILT APP (Note: Step numbers can differ between the two methods)



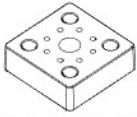
The graphic features the BILT logo (a hexagon with a bolt head inside) and the word "BILT." in a bold, sans-serif font. To the right is a large QR code. Below the logo, the text "Scan for easy 3D instructions" is written in a large, bold font. Underneath this, it says "Download the BILT app before you begin". To the right of the text are two buttons: "Download on the App Store" and "GET IT ON Google Play". At the bottom, a smartphone screen displays a 3D assembly instruction for step 17, showing a metal frame with a horizontal bar being attached. The screen includes a "Hardware Needed" list, a close button (X), a menu button (three dots), a volume icon, and navigation arrows.

STEP 1 - B1 POST ASSEMBLY

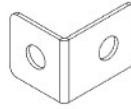
Qty	PART NUMBER	DESCRIPTION
4	H100200	SCREW PFH 8x1 1/2 BLK
4	H100460	LAG SCREW WH 1/4x1 BLK
5	H100379	TNUT-5/16" BLK



B1 POST - W4L19156
(x1) 3"X3"X62 7/16" (76x76x1586)

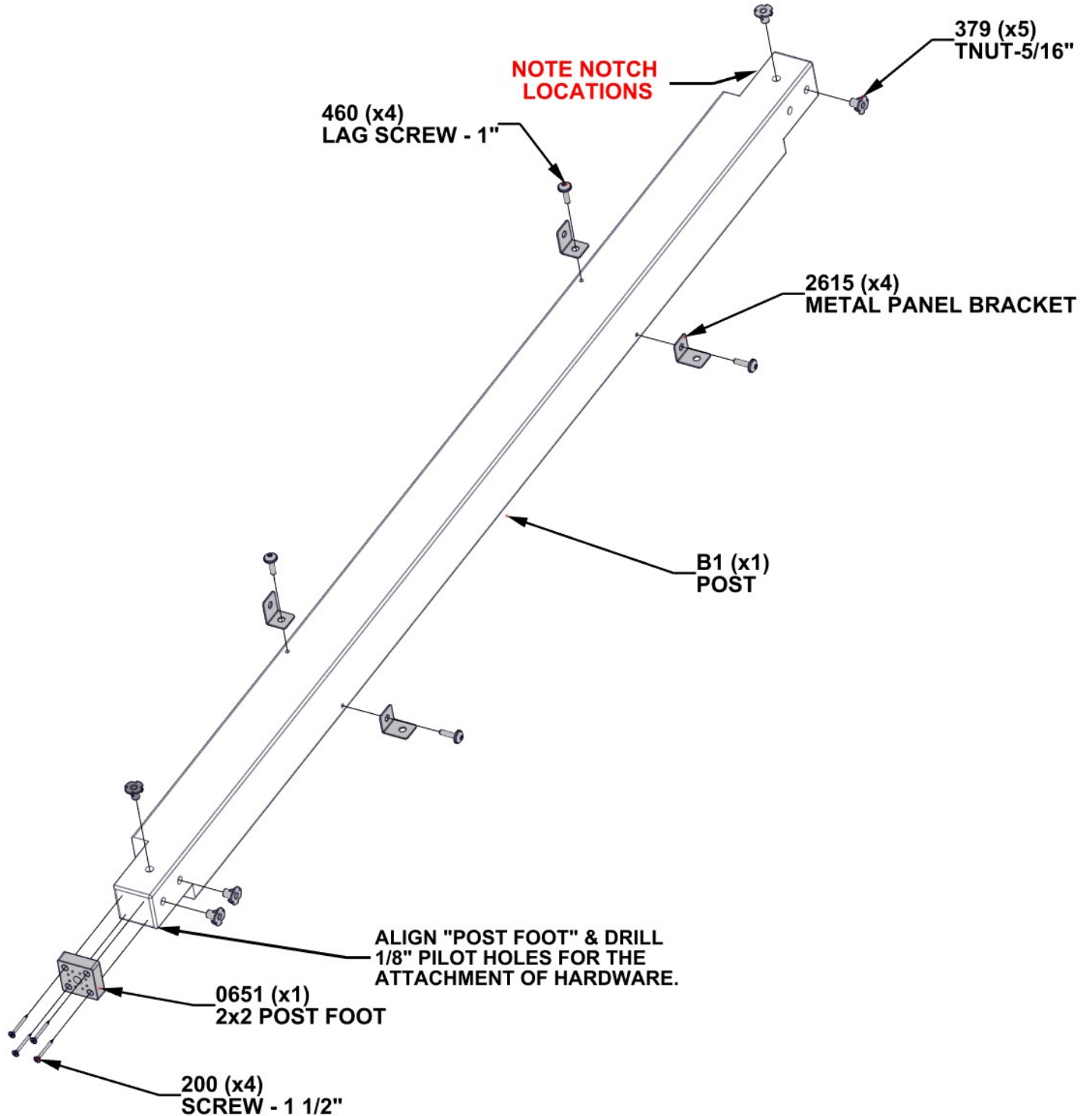


A6P00651 2x2 POST FOOT
(x1)



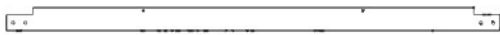
A4M02615 METAL PANEL BRACKET
(x4)

- INSTALL T-NUTS FIRST

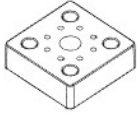


STEP 2 - B2 POST ASSEMBLY

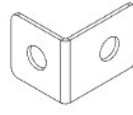
Qty	PART NUMBER	DESCRIPTION
4	H100460	LAG SCREW WH 1/4x1 BLK
4	H100200	SCREW PFH 8x1 1/2 BLK
5	H100379	TNUT-5/16" BLK



B2 POST - W4L19158
(x1) 3"X3"X62 7/16" (76x76x1586)

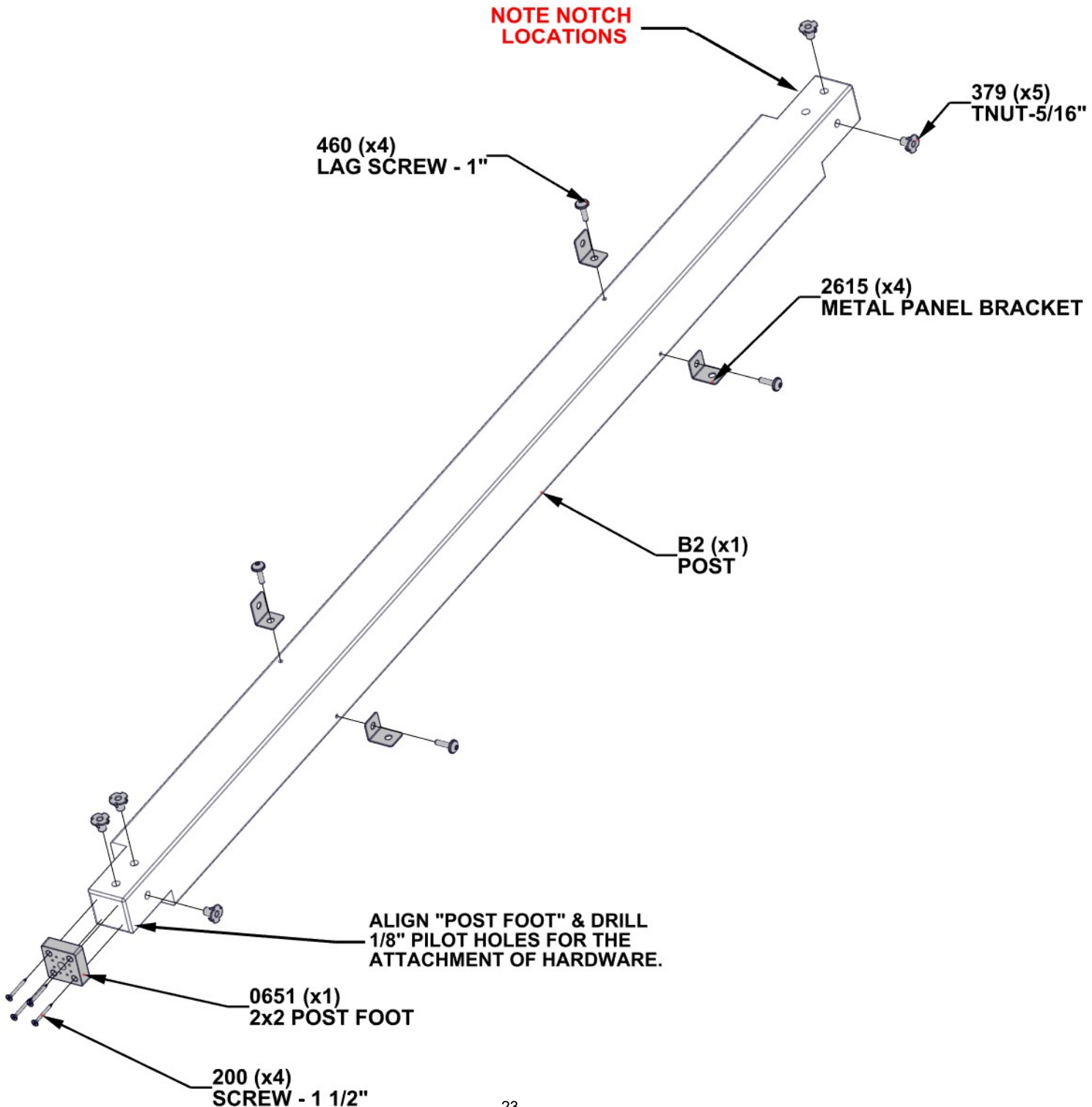


A6P00651 2x2 POST FOOT
(x1)



A4M02615 METAL PANEL BRACKET
(x4)

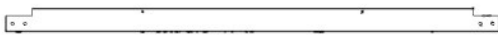
- INSTALL T-NUTS FIRST



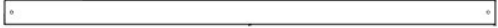
STEP 3



B1 POST ASSEMBLY
(x1) (FROM STEP 1)



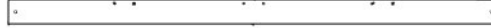
B2 POST ASSEMBLY
(x1) (FROM STEP 2)



H30 GROUNDBOARD - W4L19530
(x1) 15/16"X3 3/8"X66 3/8" (24x86x1686)

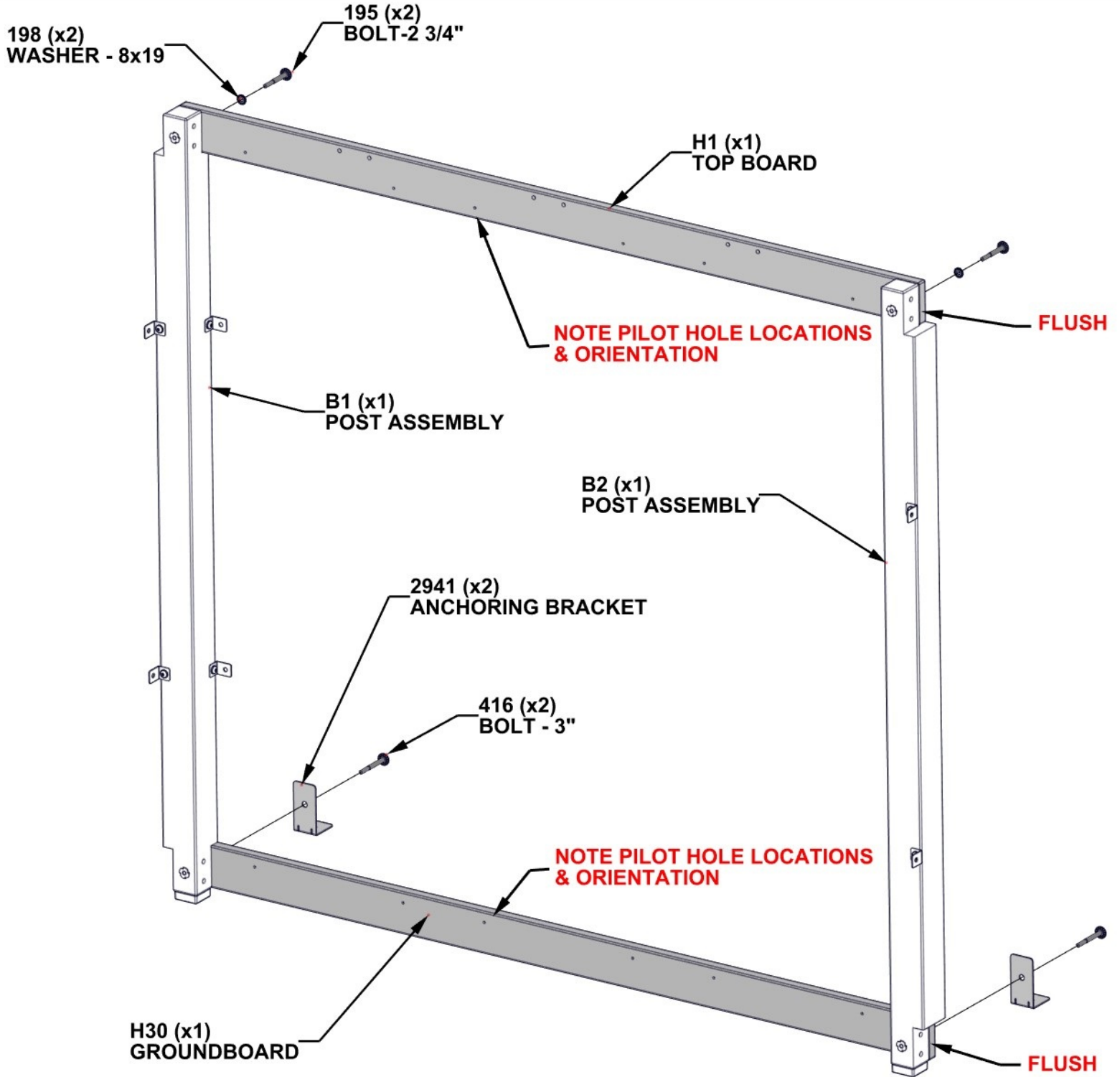


A4M02941 ANCHORING BRACKET
(x2)



H1 TOP BOARD - W4L19157
(x1) 15/16"X3 3/8"X66 3/8" (24x86x1686)

Qty	PART NUMBER	DESCRIPTION
2	H100195	BOLT WH 5/16x2 3/4 BLK
2	H100198	WASHER LOCK EXT 8x19
2	H100416	BOLT WH 5/16x3 BLK

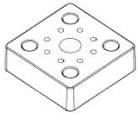


STEP 4 - B3 POST ASSEMBLY

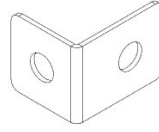
Qty	PART NUMBER	DESCRIPTION
4	H100200	SCREW PFH 8x1 1/2 BLK
5	H100379	TNUT-5/16" BLK
2	H100460	LAG SCREW WH 1/4x1 BLK



B3 POST - W4L19161
(x1) 3"X3"X62 7/16" (76x76x1586)

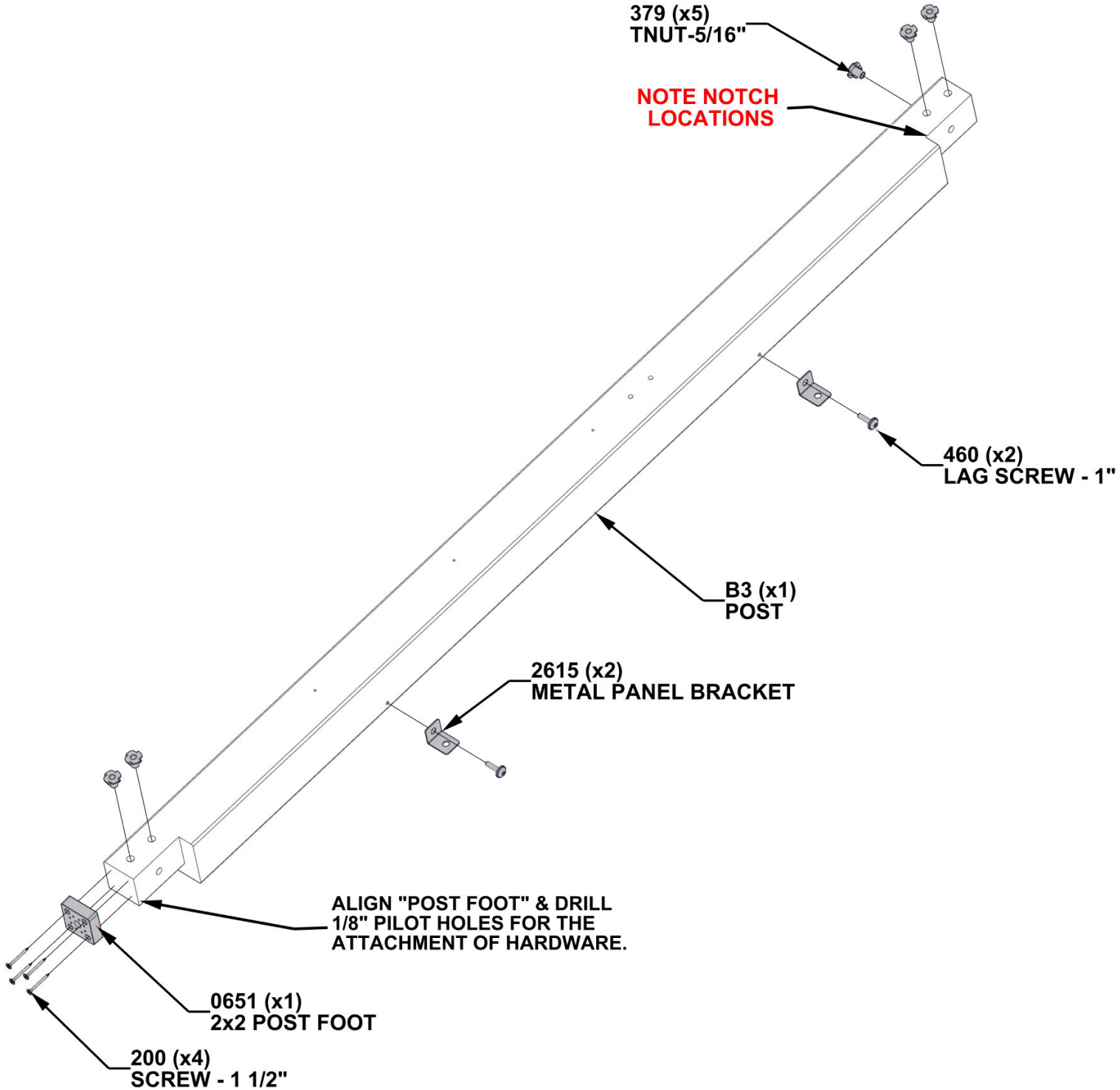


A6P00651 2x2 POST FOOT
(x1)



A4M02615 METAL PANEL BRACKET
(x2)

- INSTALL T-NUTS FIRST

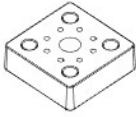


STEP 5 - B6 POST ASSEMBLY

Qty	PART NUMBER	DESCRIPTION
4	H100200	SCREW PFH 8x1 1/2 BLK
5	H100379	TNUT-5/16" BLK

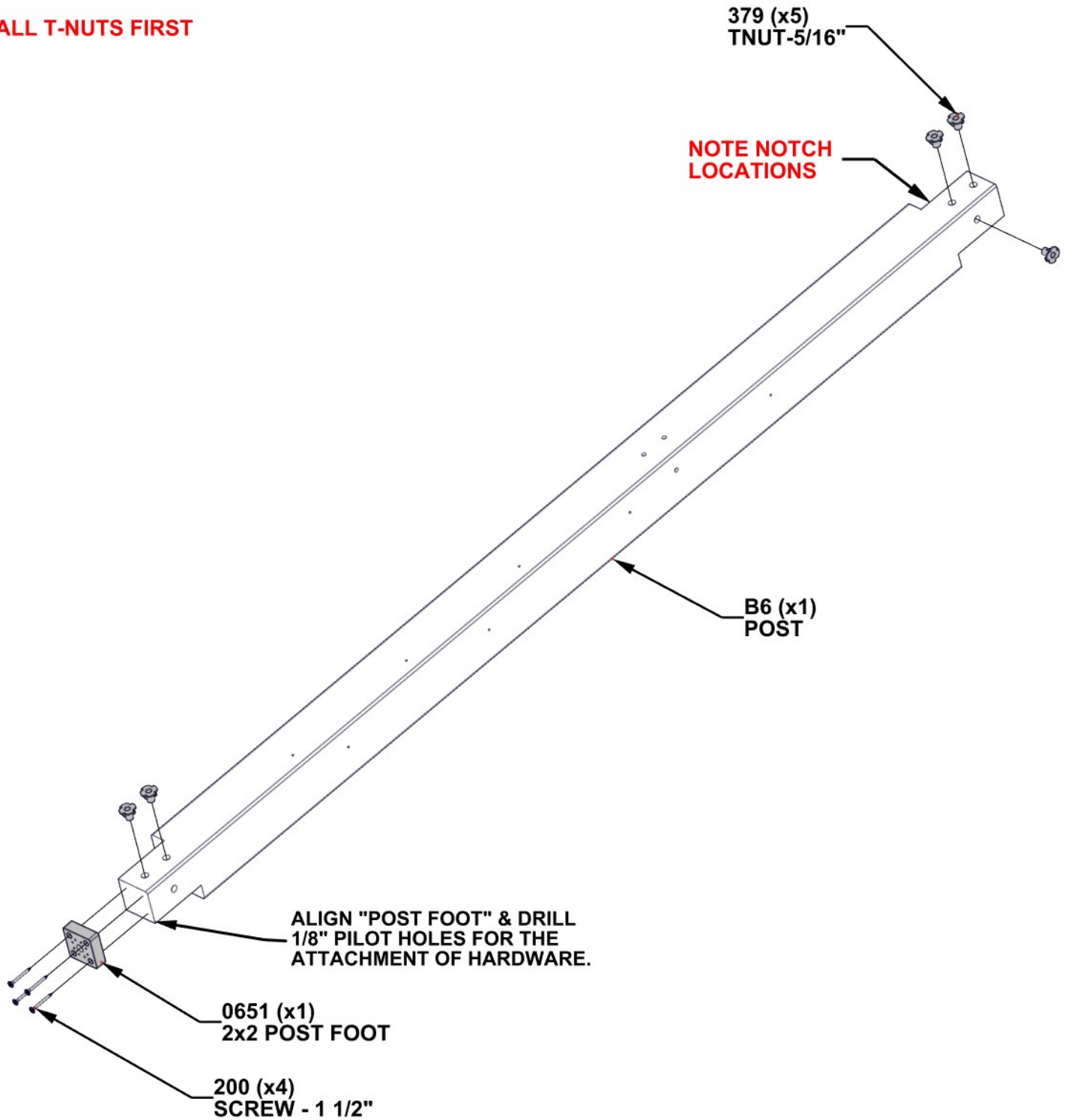


B6 POST - W4L19172
(x1) 3"X3"X62 7/16" (76x76x1586)



A6P00651 2x2 POST FOOT
(x1)

- INSTALL T-NUTS FIRST

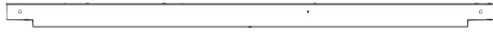


STEP 6

Qty	PART NUMBER	DESCRIPTION
2	H100379	TNUT-5/16" BLK
2	H100415	BOLT WH 5/16x3 3/4 BLK
2	H100195	BOLT WH 5/16x2 3/4 BLK
4	H100198	WASHER LOCK EXT 8x19



B3 POST ASSEMBLY
(x1) (FROM STEP 4)



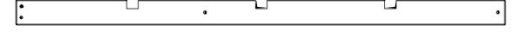
B6 POST ASSEMBLY
(x1) (FROM STEP 5)



H12 GROUNDBOARD - W4L19173
(x1) 15/16"X3 3/8"X66 3/8" (24x86x1686)



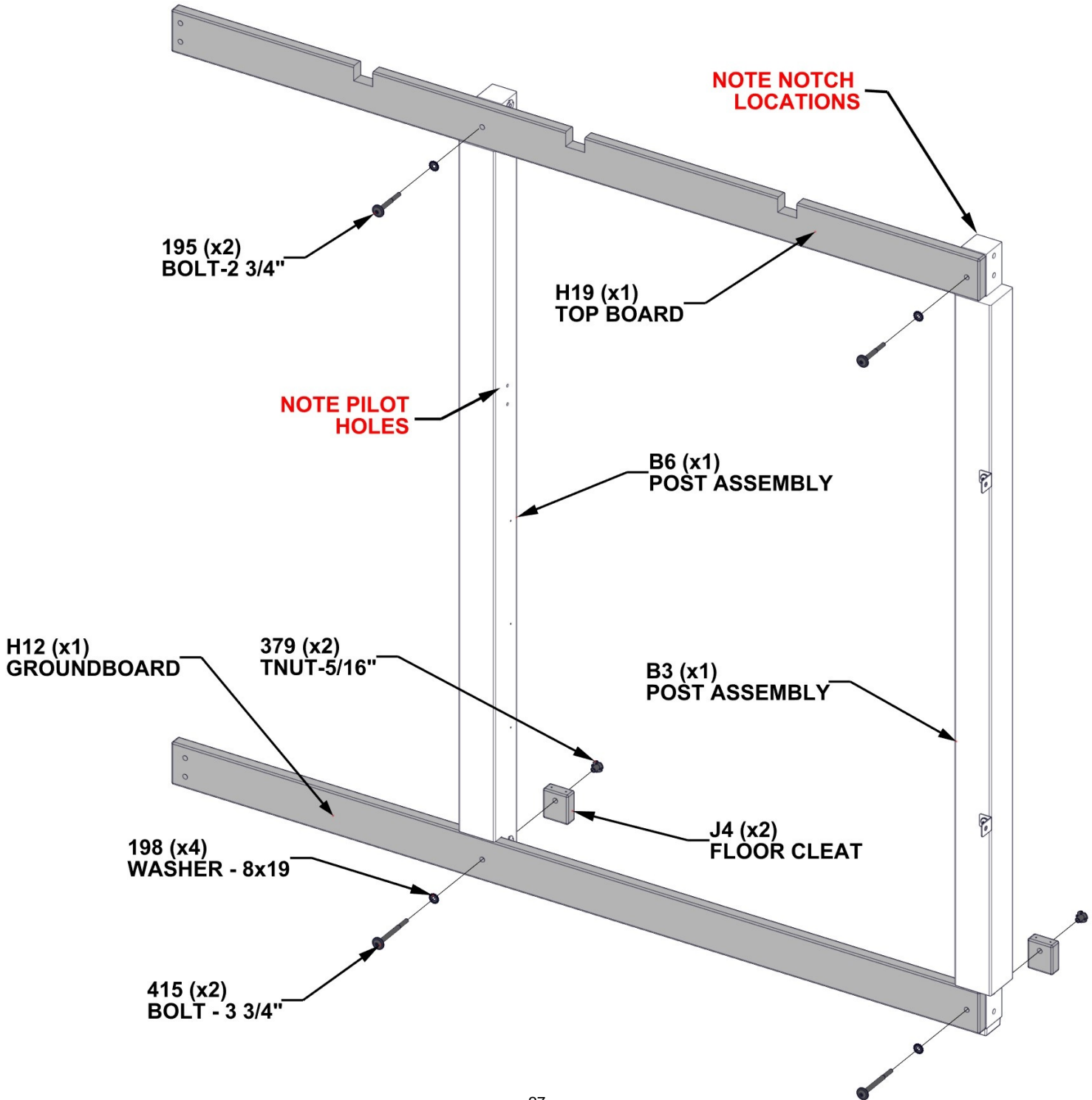
J4 FLOOR CLEAT - W4L19179
(x2) 15/16"X2 1/16"X2 3/8" (24x52x60)



H19 TOP BOARD - W4L19461
(x1) 15/16"X3 3/8"X66 3/8" (24x86x1686)

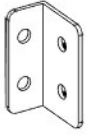
- INSTALL T-NUTS FIRST

- USE PILOT HOLES TO ALIGN BOLTS

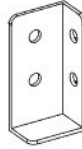


STEP 7

Qty	PART NUMBER	DESCRIPTION
4	H100379	TNUT-5/16" BLK
4	H100468	BOLT WH 5/16x1 BLK

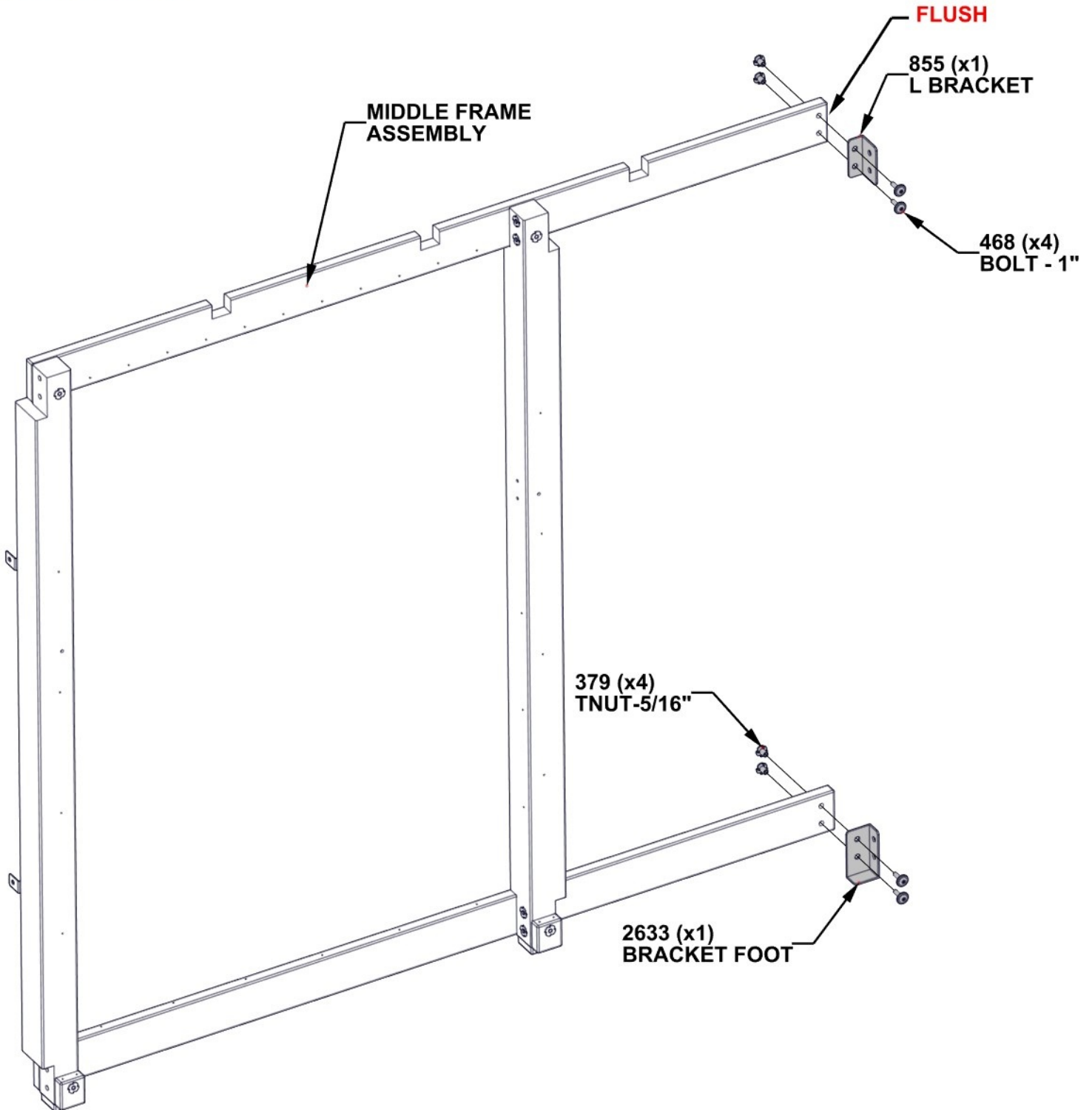


A4M00855 L BRACKET
(x1)



A4M02633 BRACKET FOOT
(x1)

- INSTALL T-NUTS FIRST

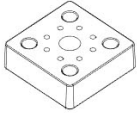


STEP 8 - B5 POST ASSEMBLY

Qty	PART NUMBER	DESCRIPTION
4	H100200	SCREW PFH 8x1 1/2 BLK
3	H100379	TNUT-5/16" BLK

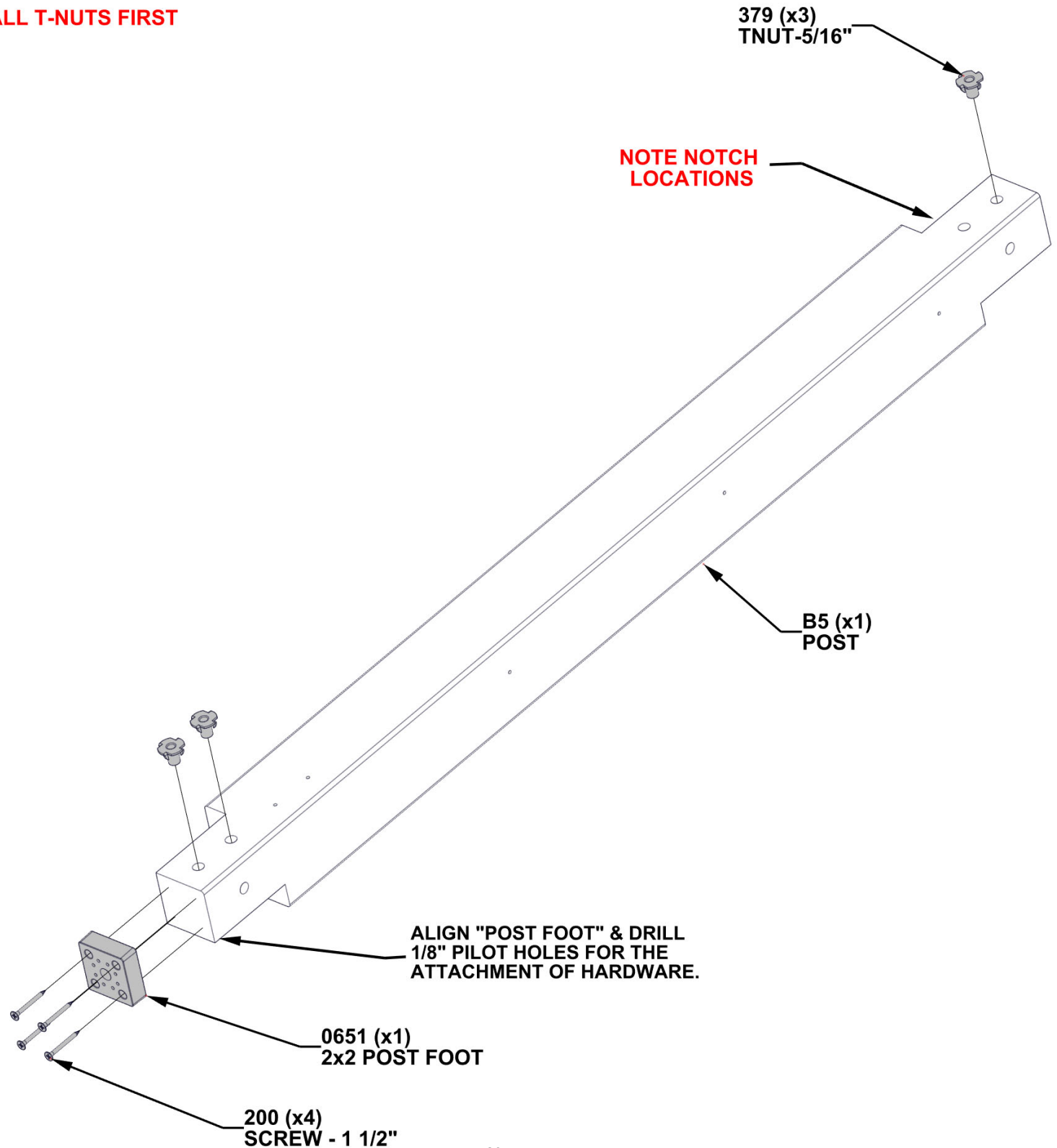


B5 POST - W4L19167
(x1) 3"X3"X40 5/16" (76x76x1024)



A6P00651 2x2 POST FOOT
(x1)

- INSTALL T-NUTS FIRST

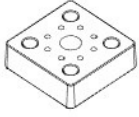


STEP 9 - B7 POST ASSEMBLY

Qty	PART NUMBER	DESCRIPTION
4	H100379	TNUT-5/16" BLK
4	H100200	SCREW PFH 8x1 1/2 BLK

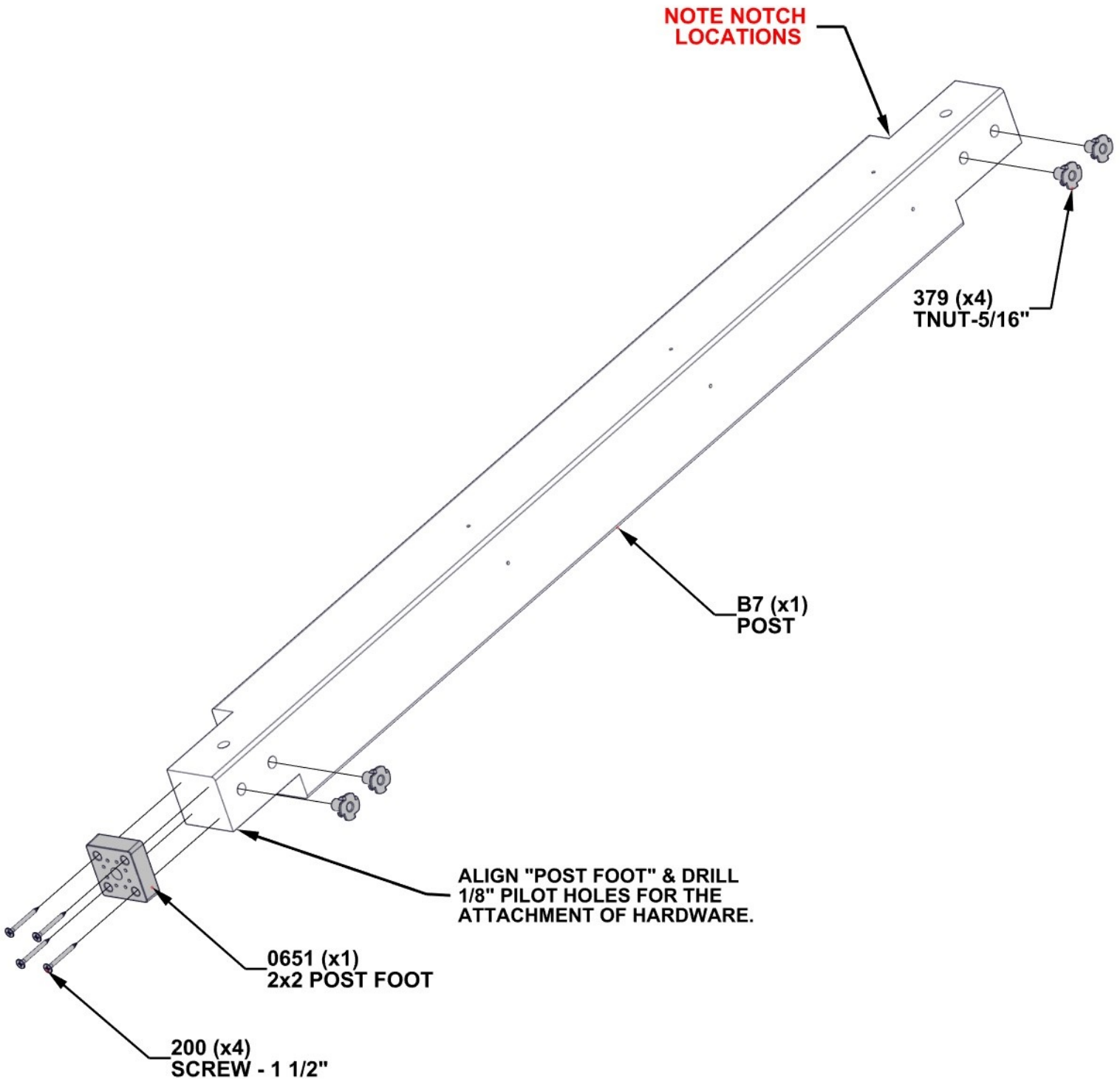


B7 POST - W4L19460
(x1) 3"X3"40 5/16" (76x76x1024)



A6P00651 2x2 POST FOOT
(x1)

- INSTALL T-NUTS FIRST

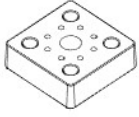


STEP 10 - B4 POST ASSEMBLY

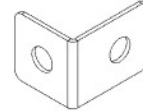
Qty	PART NUMBER	DESCRIPTION
2	H100460	LAG SCREW WH 1/4x1 BLK
4	H100200	SCREW PFH 8x1 1/2 BLK
5	H100379	TNUT-5/16" BLK



B4 POST - W4L19164
(x1) 3"X3"X40 5/16" (76x76x1024)

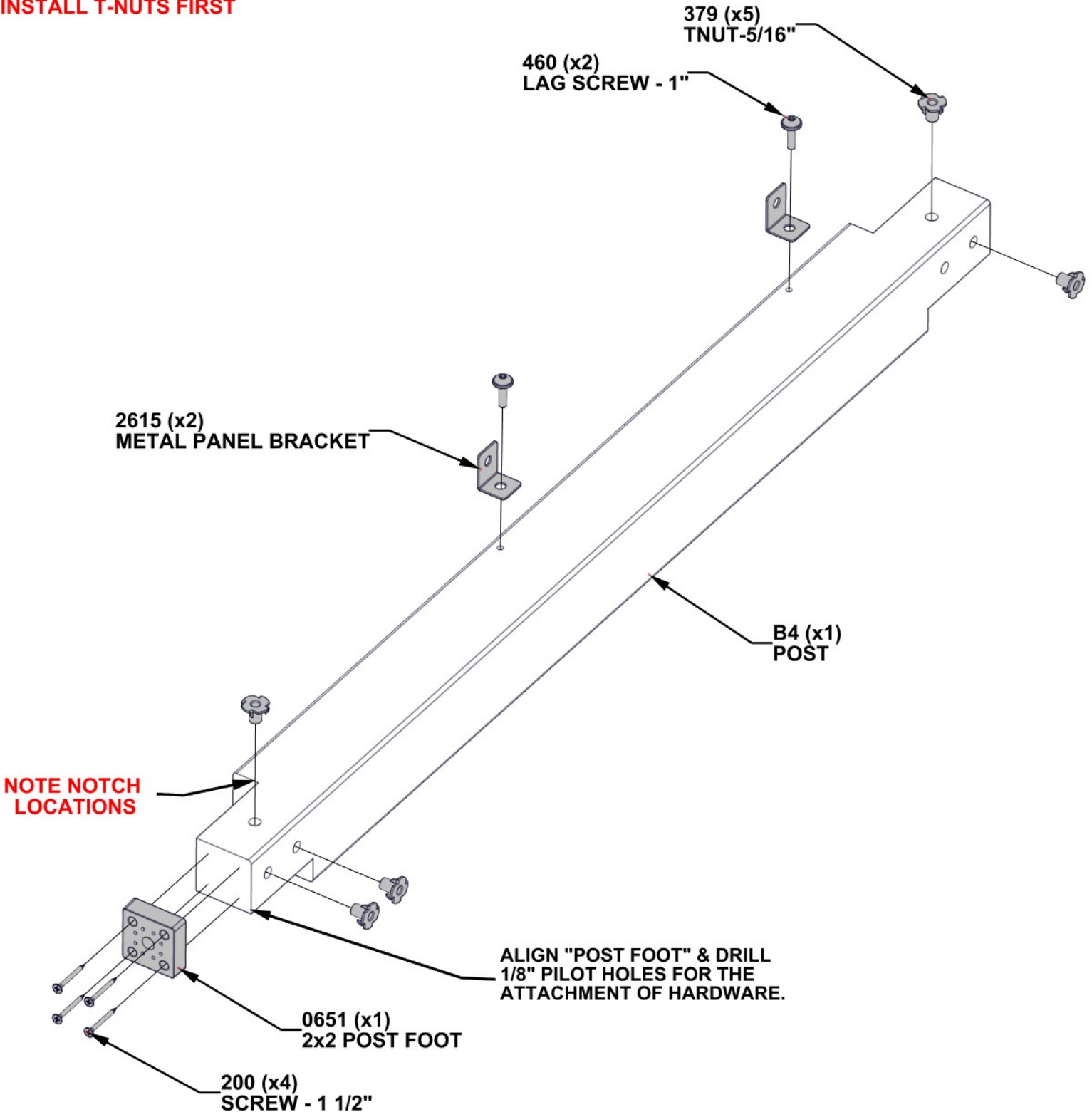


A6P00651 2x2 POST FOOT
(x1)



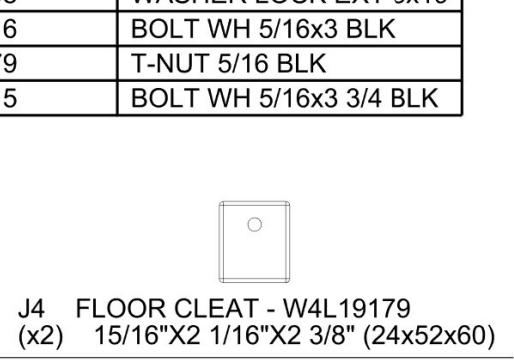
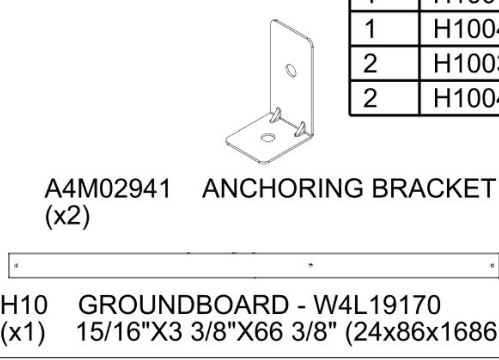
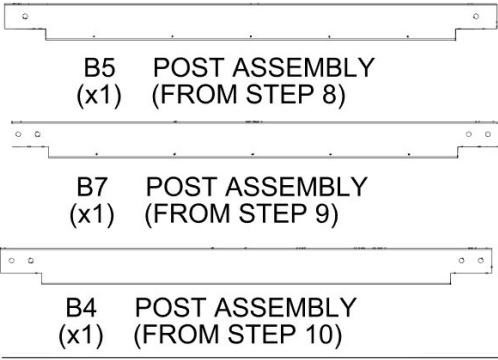
A4M02615 METAL PANEL BRACKET
(x2)

- INSTALL T-NUTS FIRST

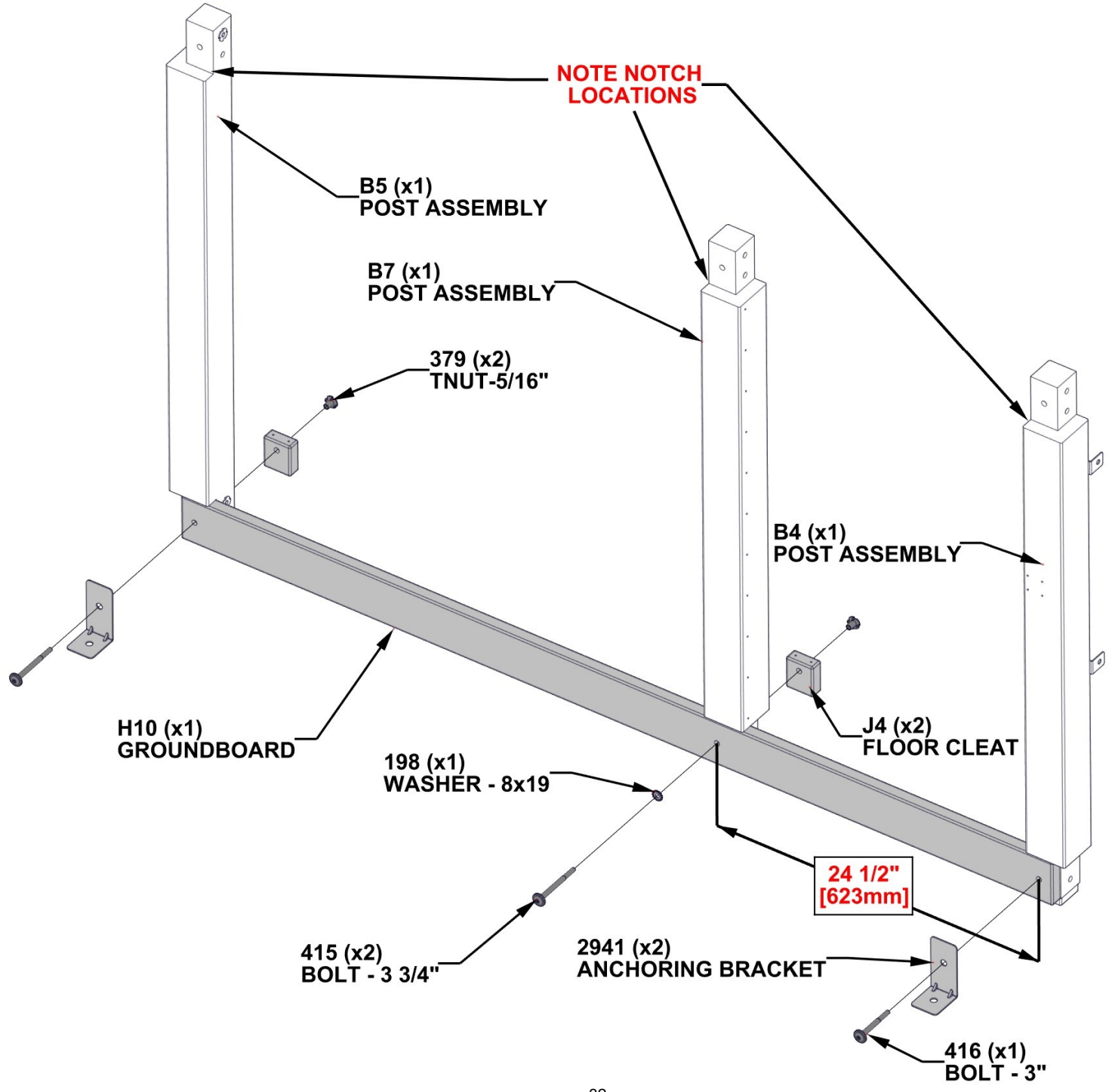


STEP 11

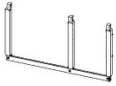
Qty	PART NUMBER	DESCRIPTION
1	H100198	WASHER LOCK EXT 8x19
1	H100416	BOLT WH 5/16x3 BLK
2	H100379	T-NUT 5/16 BLK
2	H100415	BOLT WH 5/16x3 3/4 BLK



- INSTALL T-NUTS FIRST
- USE PILOT HOLES TO ALIGN SCREWS



STEP 12



BACK FRAME ASSEMBLY
(x1) (FROM STEP 11)



MIDDLE FRAME ASSEMBLY
(x1) (FROM STEP 7)

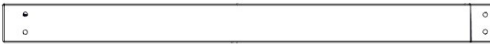
Qty	PART NUMBER	DESCRIPTION
12	H100195	BOLT WH 5/16x2 3/4 BLK
12	H100198	WASHER LOCK EXT 8x19



H9 GROUNDBOARD - W4L19169
(x1) 15/16"X3 3/8"X43 1/4" (24x86x1098)



H11 GROUNDBOARD - W4L19171
(x1) 15/16"X3 3/8"X42 5/16" (24x86x1074)

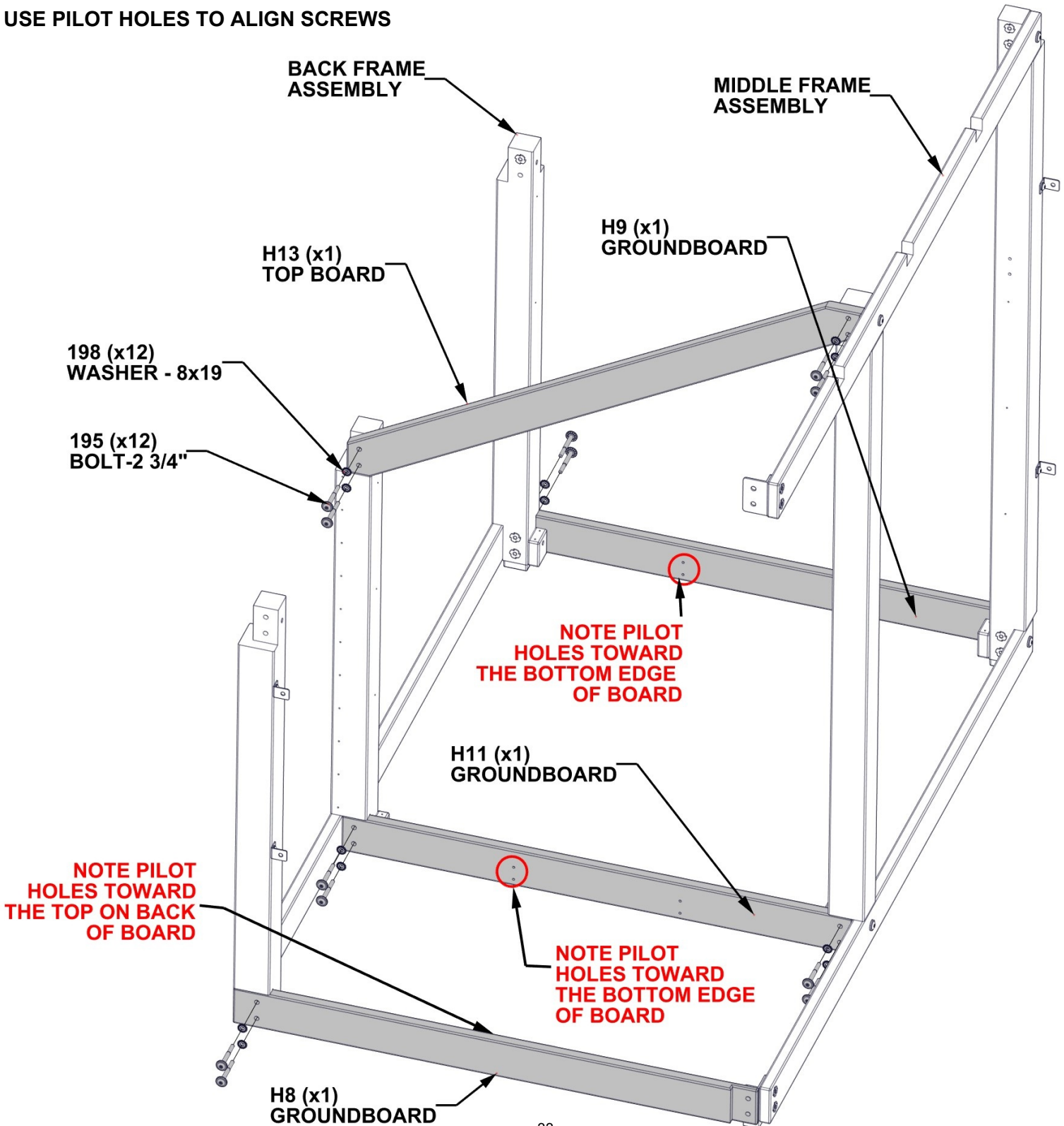


H8 GROUNDBOARD - W4L19168
(x1) 15/16"X3 3/8"X43 1/4" (24x86x1098)



H13 TOP BOARD - W4L19174
(x1) 15/16"X3 3/8"X49 3/8" (24x86x1254)

- USE PILOT HOLES TO ALIGN SCREWS



STEP 13 A

Qty	PART NUMBER	DESCRIPTION
4	H100195	BOLT WH 5/16x2 3/4 BLK
4	H100198	WASHER LOCK EXT 8x19



H3 GROUNDBOARD - W4L19160
(x1) 15/16"X3 3/8"X47 11/16" (24x86x1211)

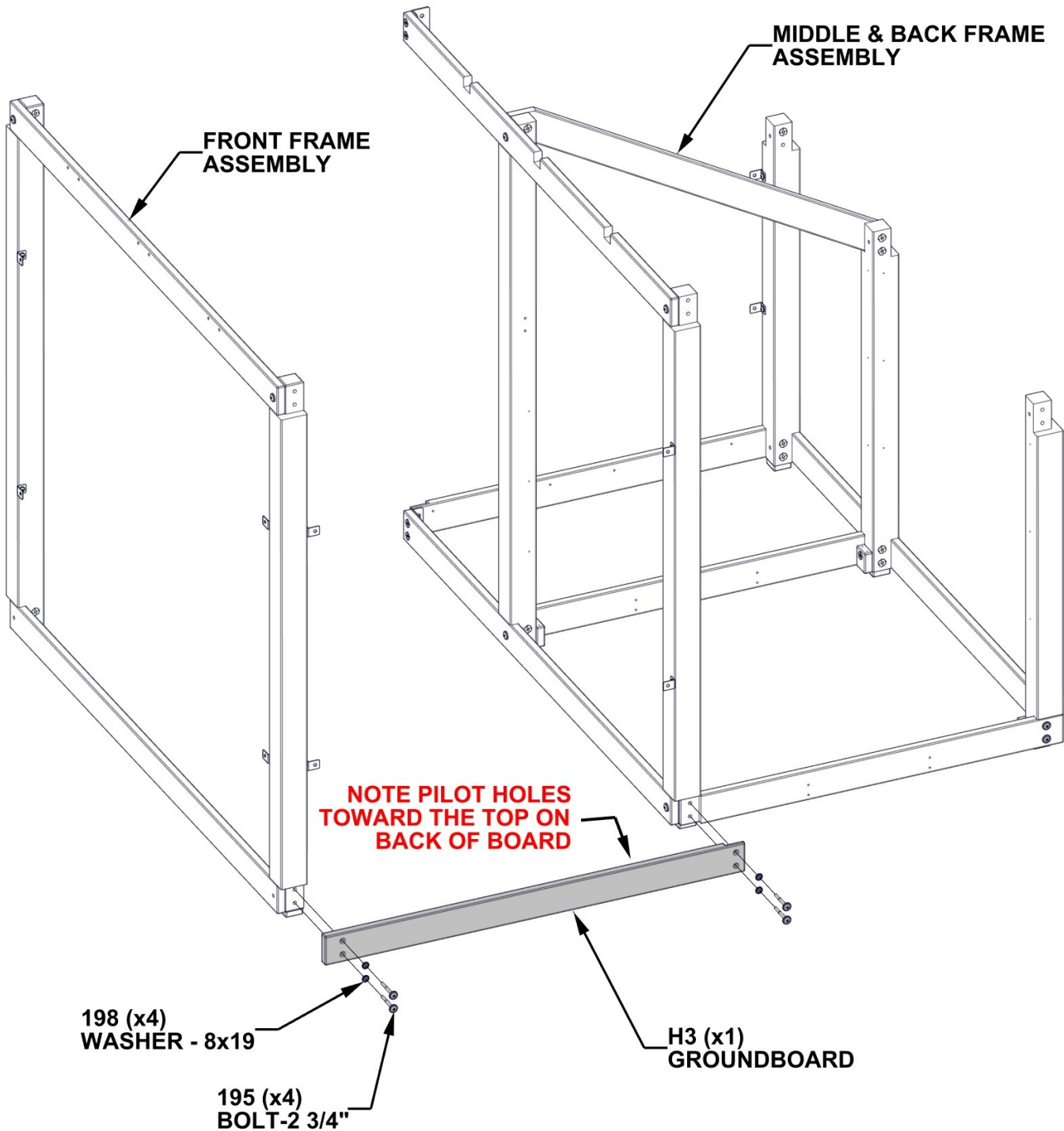


BACK & MIDDLE FRAME ASSEMBLY
(x1) (FROM STEP 12)



FRONT FRAME ASSEMBLY
(x1) (FROM STEP 3)

- USE PILOT HOLES TO ALIGN SCREWS



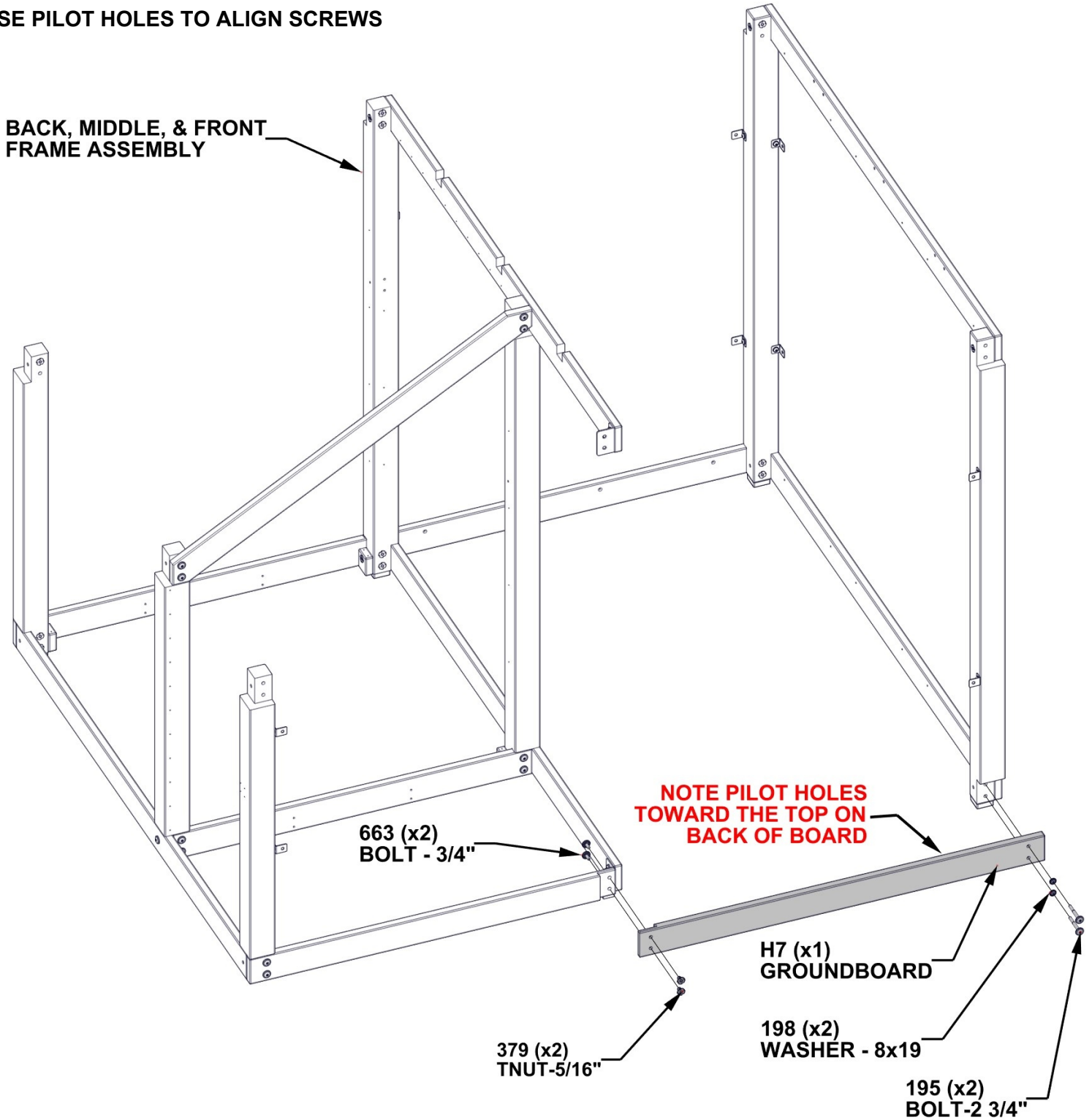
STEP 13 B

Qty	PART NUMBER	DESCRIPTION
2	H100195	BOLT WH 5/16x2 3/4 BLK
2	H100198	WASHER LOCK EXT 8x19
2	H100379	TNUT-5/16" BLK
2	H100663	BOLT WH 5/16x3/4 BLK



H7 GROUNDBOARD - W4L19166
 (x1) 15/16"X3 3/8"X47 11/16" (24x86x1211)

- USE PILOT HOLES TO ALIGN SCREWS



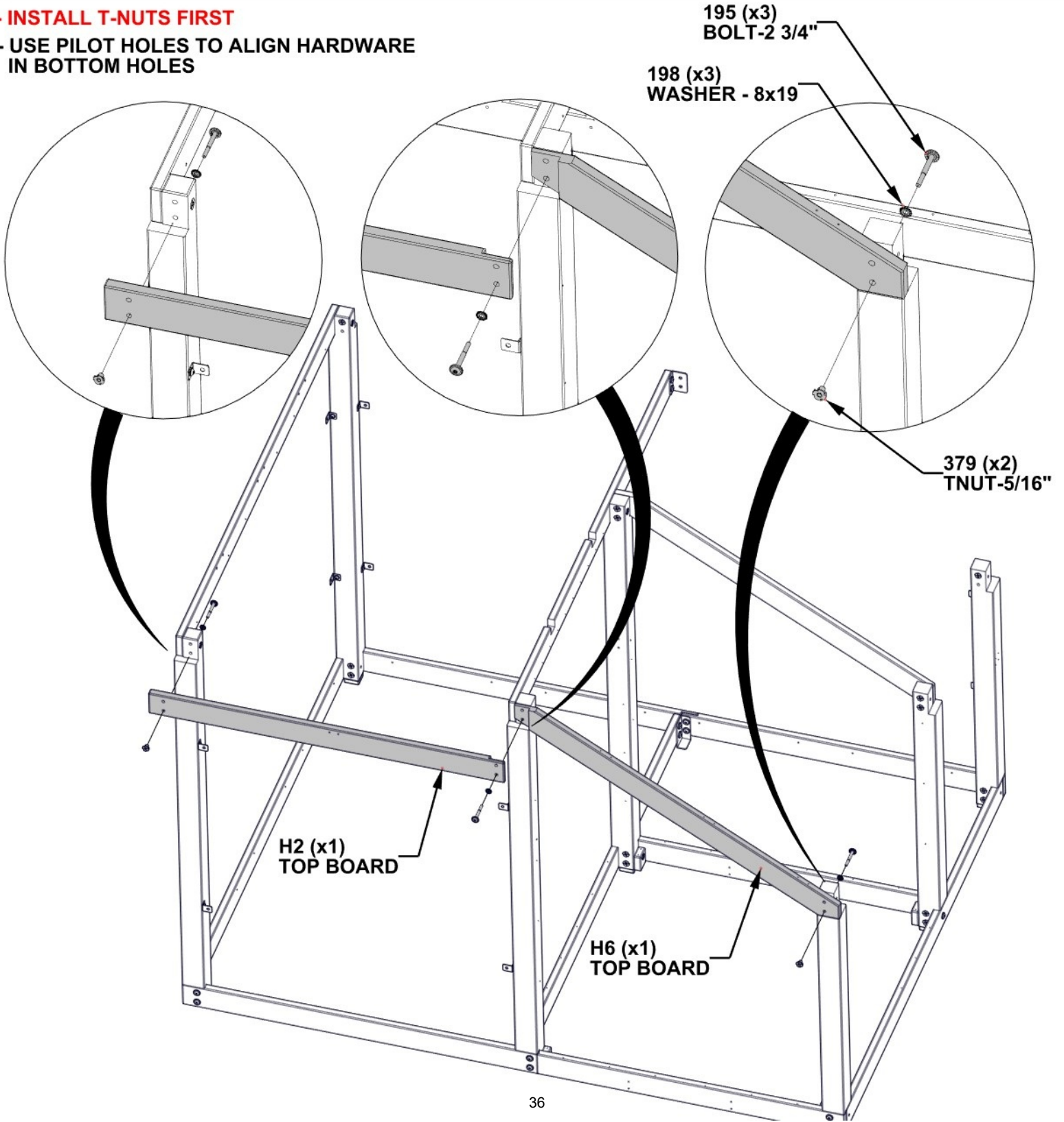
STEP 14 A

Qty	PART NUMBER	DESCRIPTION
2	H100379	TNUT-5/16" BLK
3	H100195	BOLT WH 5/16x2 3/4 BLK
3	H100198	WASHER LOCK EXT 8x19

H2 TOP BOARD - W4L19159
 (x1) 15/16"X3 3/8"X47 11/16" (24x86x1211)

H6 TOP BOARD - W4L19165
 (x1) 15/16"X3 3/8"X50 3/16" (24x86x1275)

- INSTALL T-NUTS FIRST
- USE PILOT HOLES TO ALIGN HARDWARE
IN BOTTOM HOLES



STEP 14 B

Qty	PART NUMBER	DESCRIPTION
1	H100469	NUT BARREL WH 5/16X5/8 BLK
1	H100663	BOLT WH 5/16X3/4 BLK
1	H100199	WASHER LOCK EXT 12x19
2	H100379	TNUT-5/16" BLK
2	H100195	BOLT WH 5/16X2 3/4 BLK
2	H100198	WASHER LOCK EXT 8x19

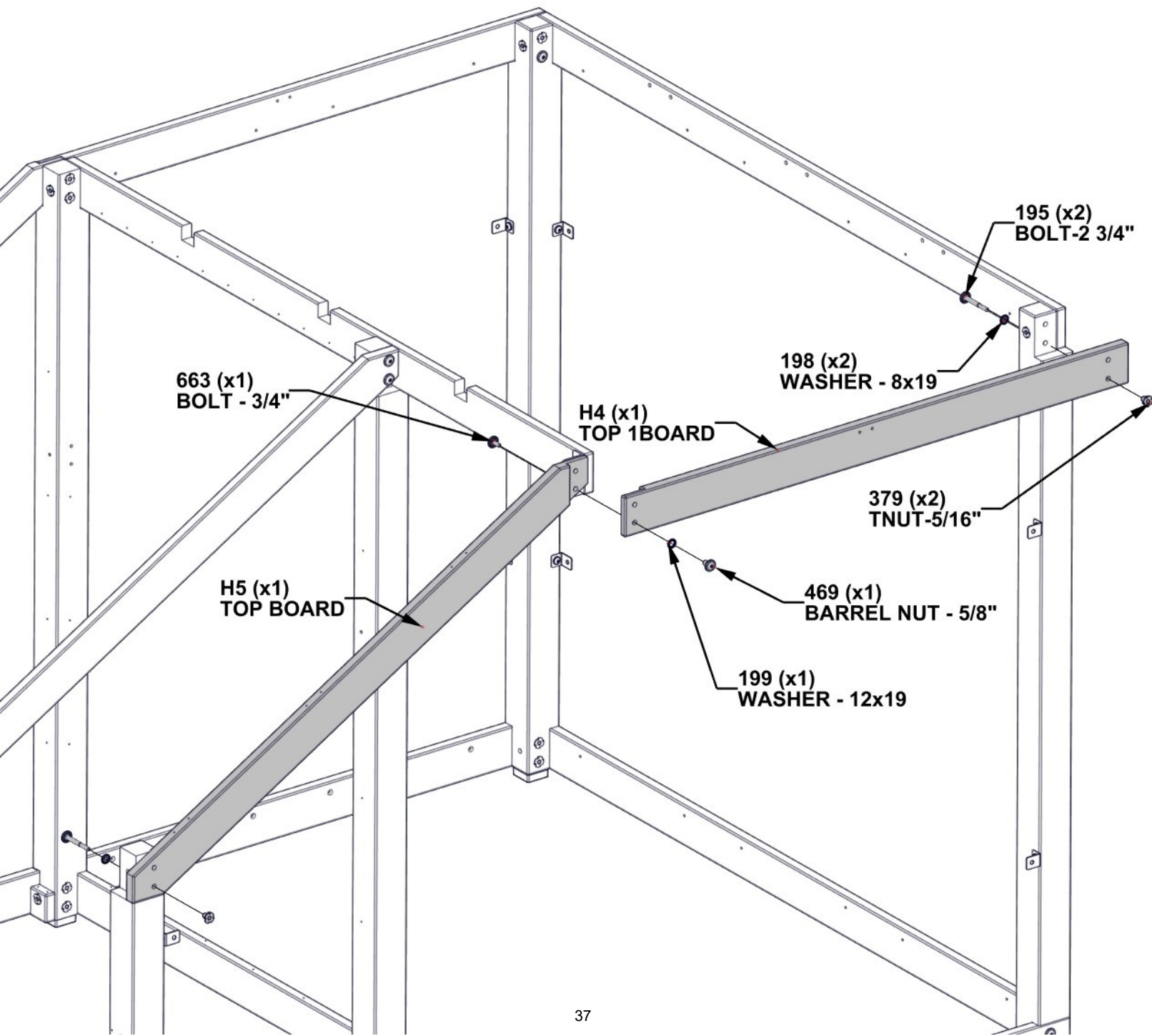


H4 TOP BOARD - W4L19162
(x1) 15/16"X3 3/8"X47 11/16" (24x86x1211)



H5 TOP BOARD - W4L19163
(x1) 15/16"X3 3/8"X50 3/16" (24x86x1275)

- INSTALL T-NUTS IN WOOD FIRST
- USE PILOT HOLES TO ALIGN HARDWARE IN BOTTOM HOLES



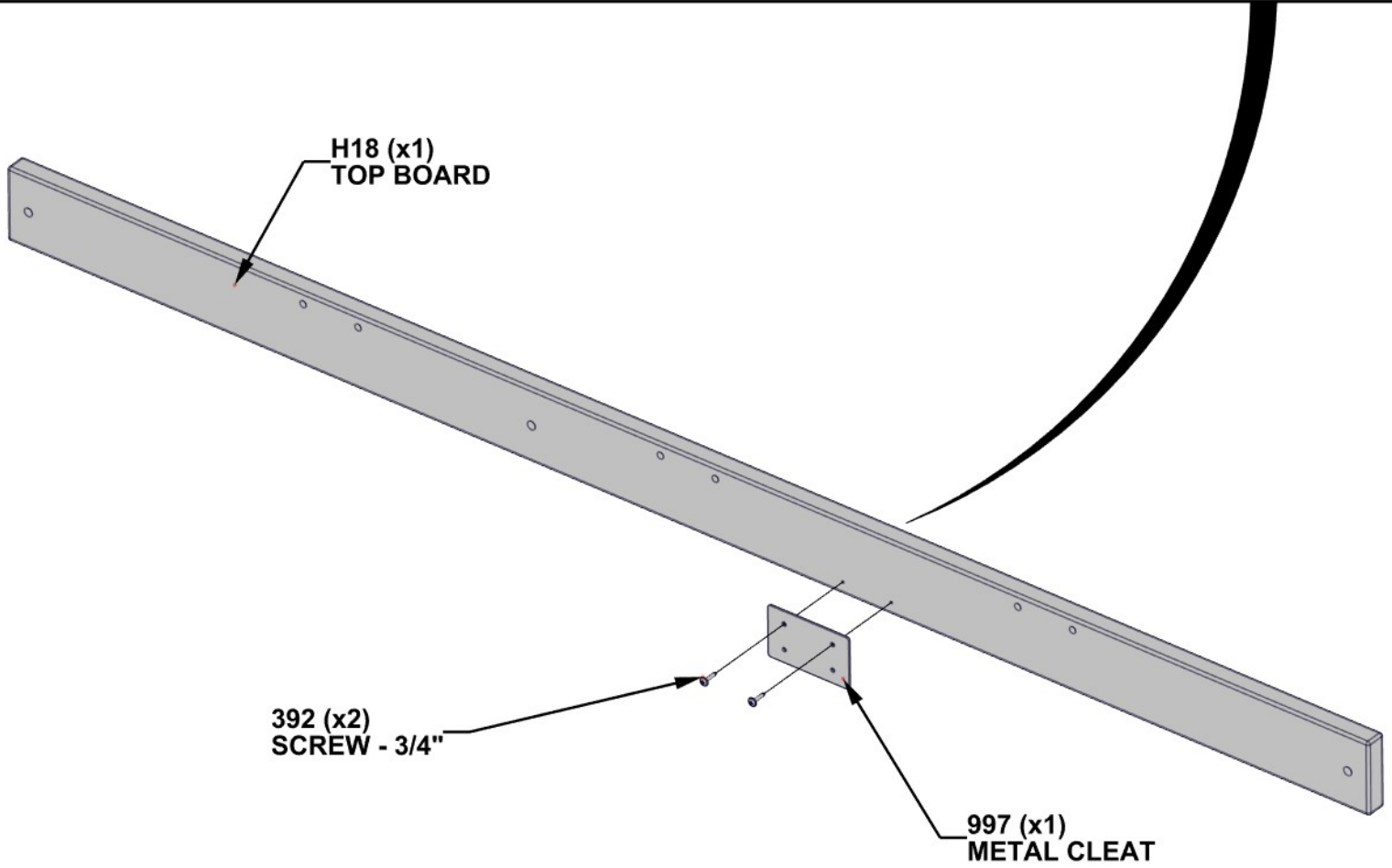
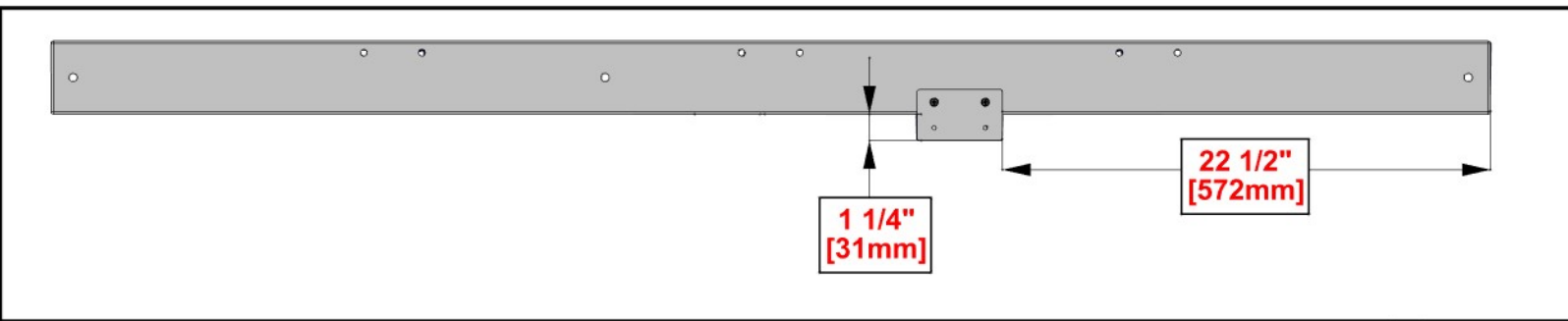
STEP 15 A - H18 ASSEMBLY

Qty	PART NUMBER	DESCRIPTION
2	H100392	SCREW PWH 8x3/4 BLK

H18 TOP BOARD - W4L19459
 (x1) 15/16"X3 3/8"X66 3/8" (24x86x1686)

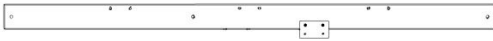
A4M00997 METAL CLEAT
 (x1)

- USE PILOT HOLES TO ALIGN SCREWS



STEP 15 B

Qty	PART NUMBER	DESCRIPTION
1	H100195	BOLT WH 5/16x2 3/4 BLK
3	H100198	WASHER LOCK EXT 8x19
2	H100379	TNUT-5/16" BLK
2	H100415	BOLT WH 5/16x3 3/4 BLK

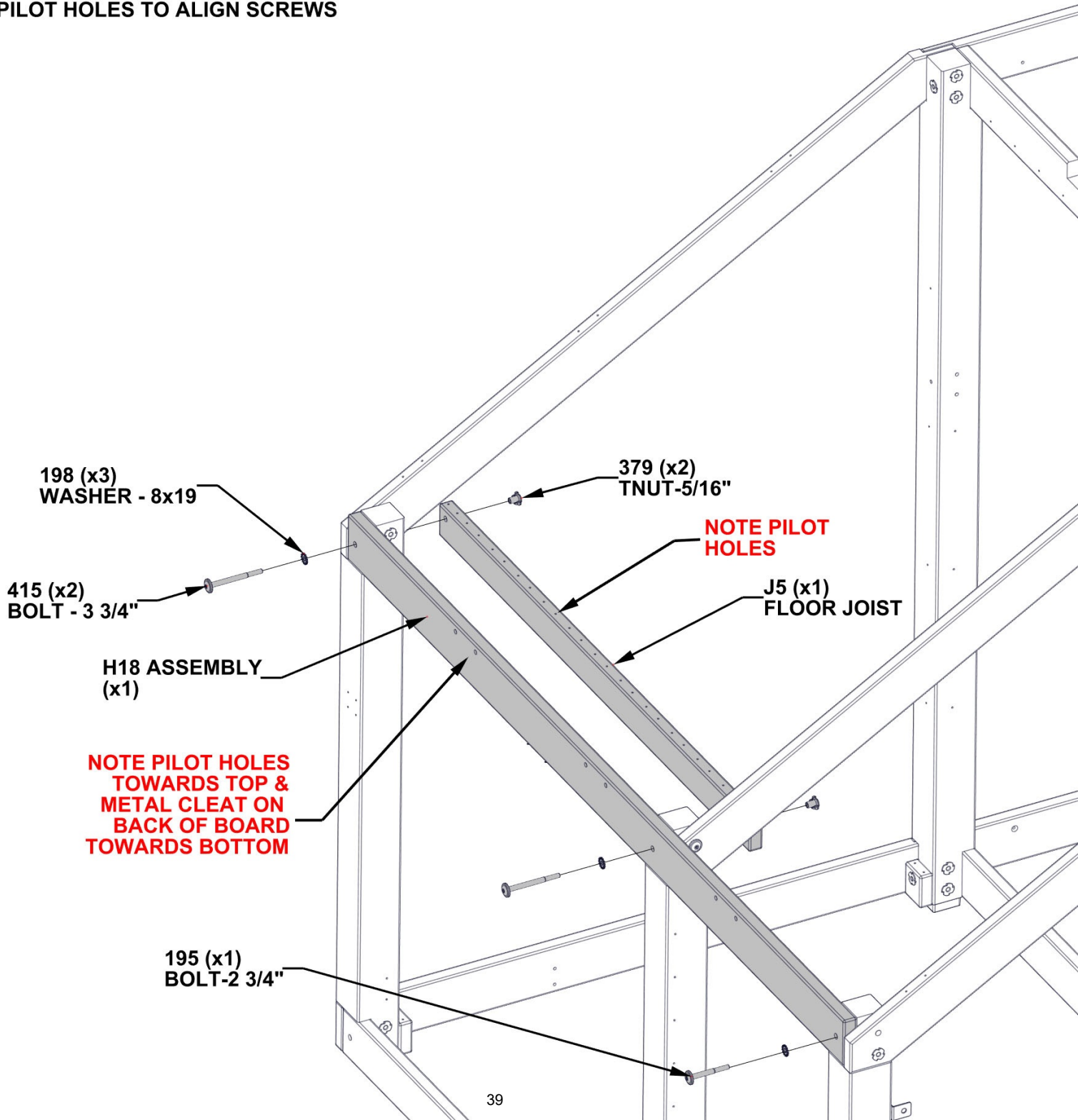


H18 BOARD ASSEMBLY
(x1) (FROM STEP 15A)



J5 FLOOR JOIST - W4L19454
(x1) 15/16"X2 3/8"X41 9/16" (24x60x1055)

- INSTALL T-NUTS FIRST
- USE PILOT HOLES TO ALIGN SCREWS



198 (x3)
WASHER - 8x19

415 (x2)
BOLT - 3 3/4"

H18 ASSEMBLY
(x1)

**NOTE PILOT HOLES
TOWARDS TOP &
METAL CLEAT ON
BACK OF BOARD
TOWARDS BOTTOM**

195 (x1)
BOLT-2 3/4"

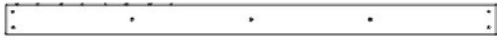
379 (x2)
TNUT-5/16"

**NOTE PILOT
HOLES**

J5 (x1)
FLOOR JOIST

STEP 16

Qty	PART NUMBER	DESCRIPTION
8	H100391	SCREW PFH 8x2 BLK
14	H100200	SCREW PFH 8x1 1/2 BLK



J1 FLOOR JOIST - W4L19175
 (x2) 15/16"X2 3/8"X37 1/2" (24x60x953)

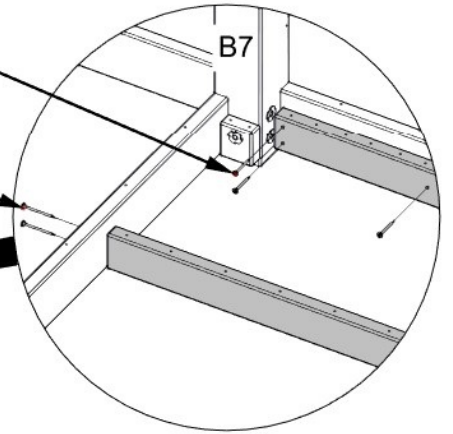


J2 FLOOR JOIST - W4L19176
 (x2) 15/16"X2 3/8"X41 7/8" (24x60x1063)

- USE PILOT HOLES TO ALIGN SCREWS

200 (x14)
 SCREW - 1 1/2"

391 (x8)
 SCREW - 2"



B7

J2 (x2)
 FLOOR JOIST

J1 (x2)
 FLOOR JOIST

NOTE PILOT HOLES UPWARD & BOARDS ARE FLUSH WITH BOTTOM

STEP 17

Qty	PART NUMBER	DESCRIPTION
78	H100391	SCREW PFH 8x2 BLK

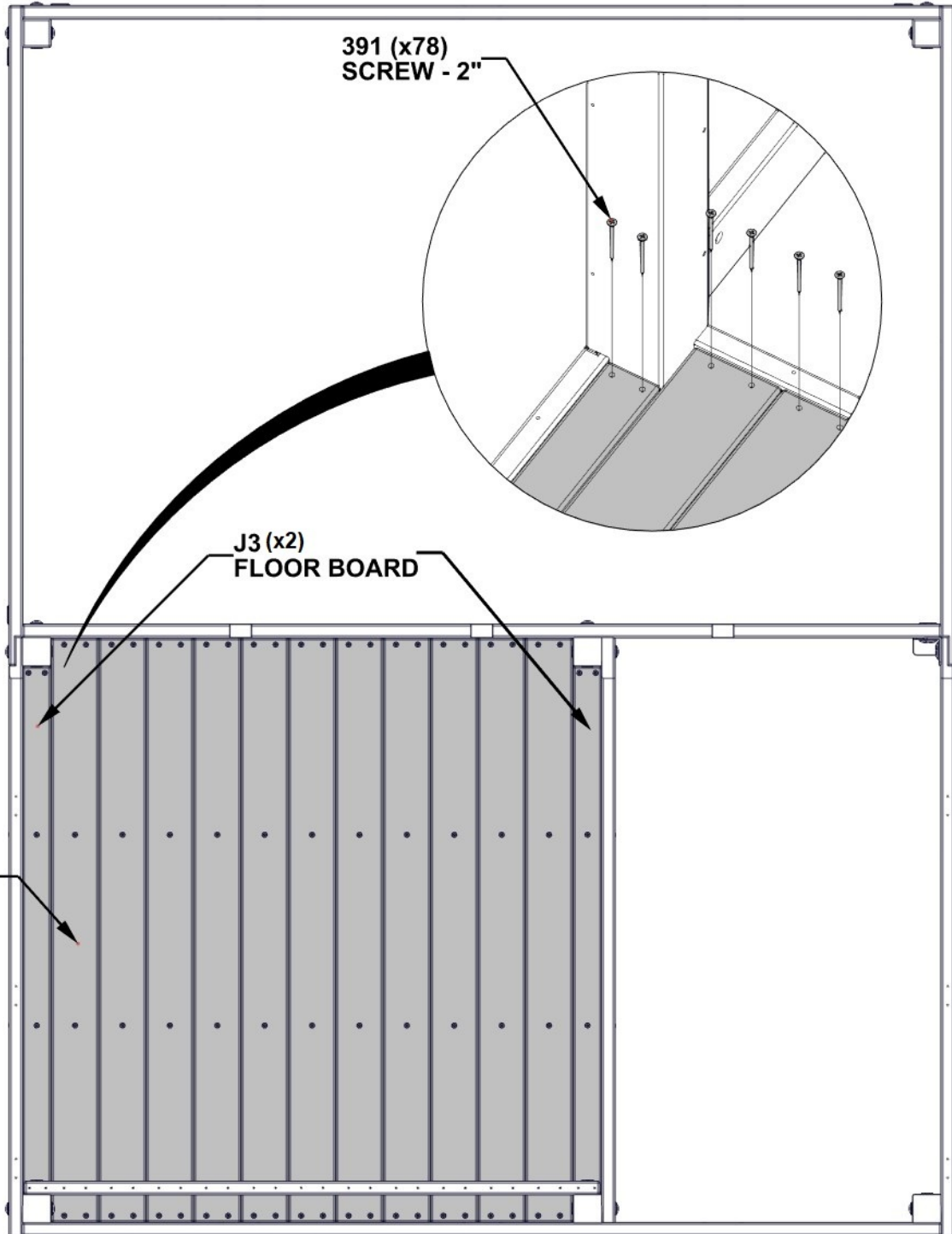


H14 FLOOR BOARD - W4L19178
(x11) 15/16"X3 3/8"X42 3/16" (24x86x1072)



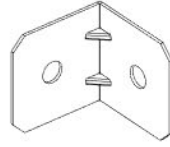
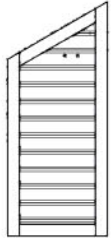
J3 FLOOR BOARD - W4L19177
(x2) 15/16"X2 1/16"X38 1/8" (24x52x968)

- USE PILOT HOLES TO ALIGN SCREWS



STEP 18 A - WP6 ASSEMBLY

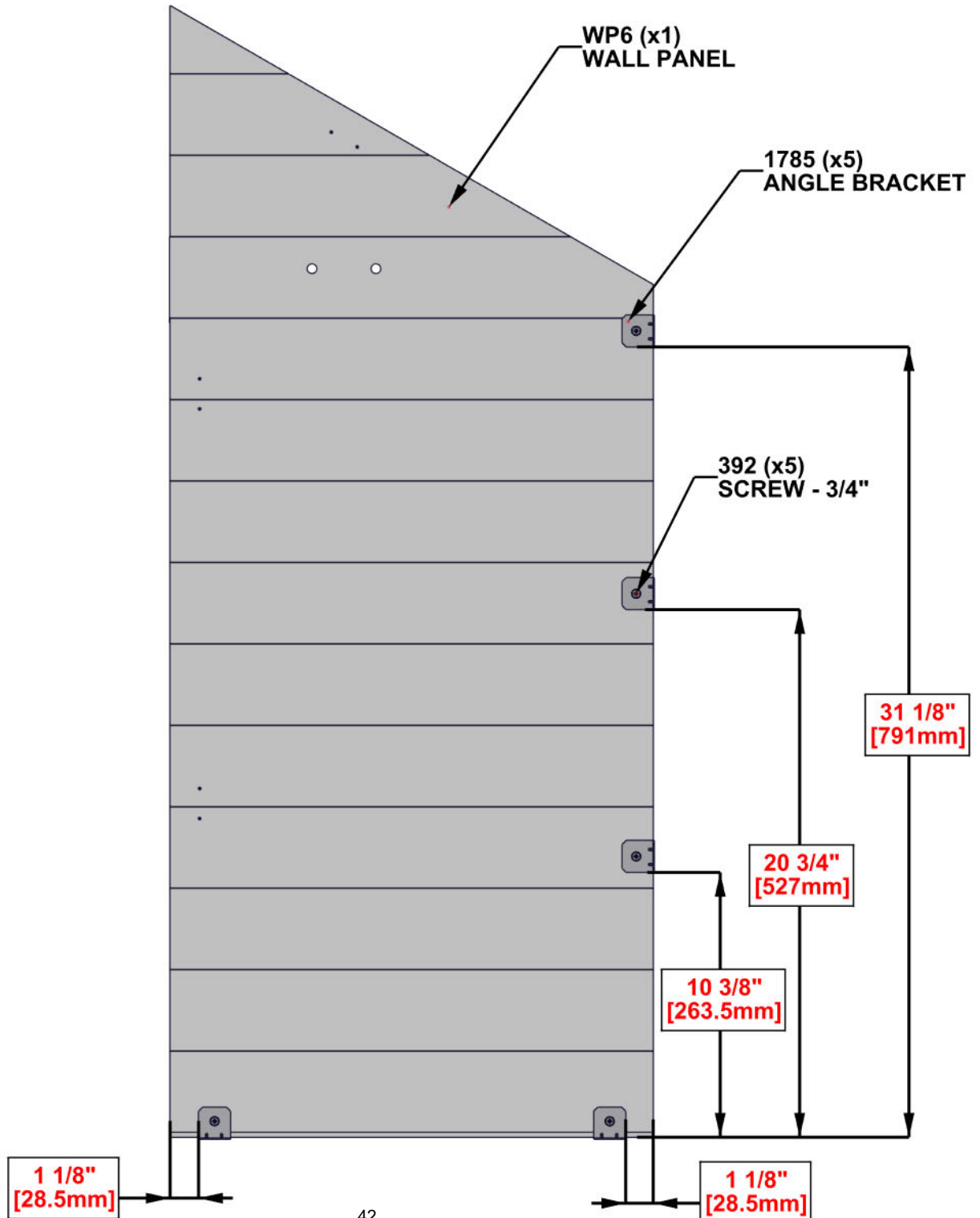
Qty	PART NUMBER	DESCRIPTION
5	H100392	SCREW PWH 8x3/4 BLK



WP6 WALL PANEL - W2A04049
 (x1) 1 1/16"X19 1/16"X44 9/16" (27x484x1133)

A4M01785 ANGLE BRACKET
 (x5)

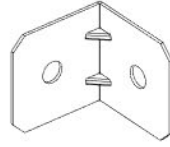
- USE PILOT HOLES TO ALIGN SCREWS



STEP 18 B - WP5 ASSEMBLY



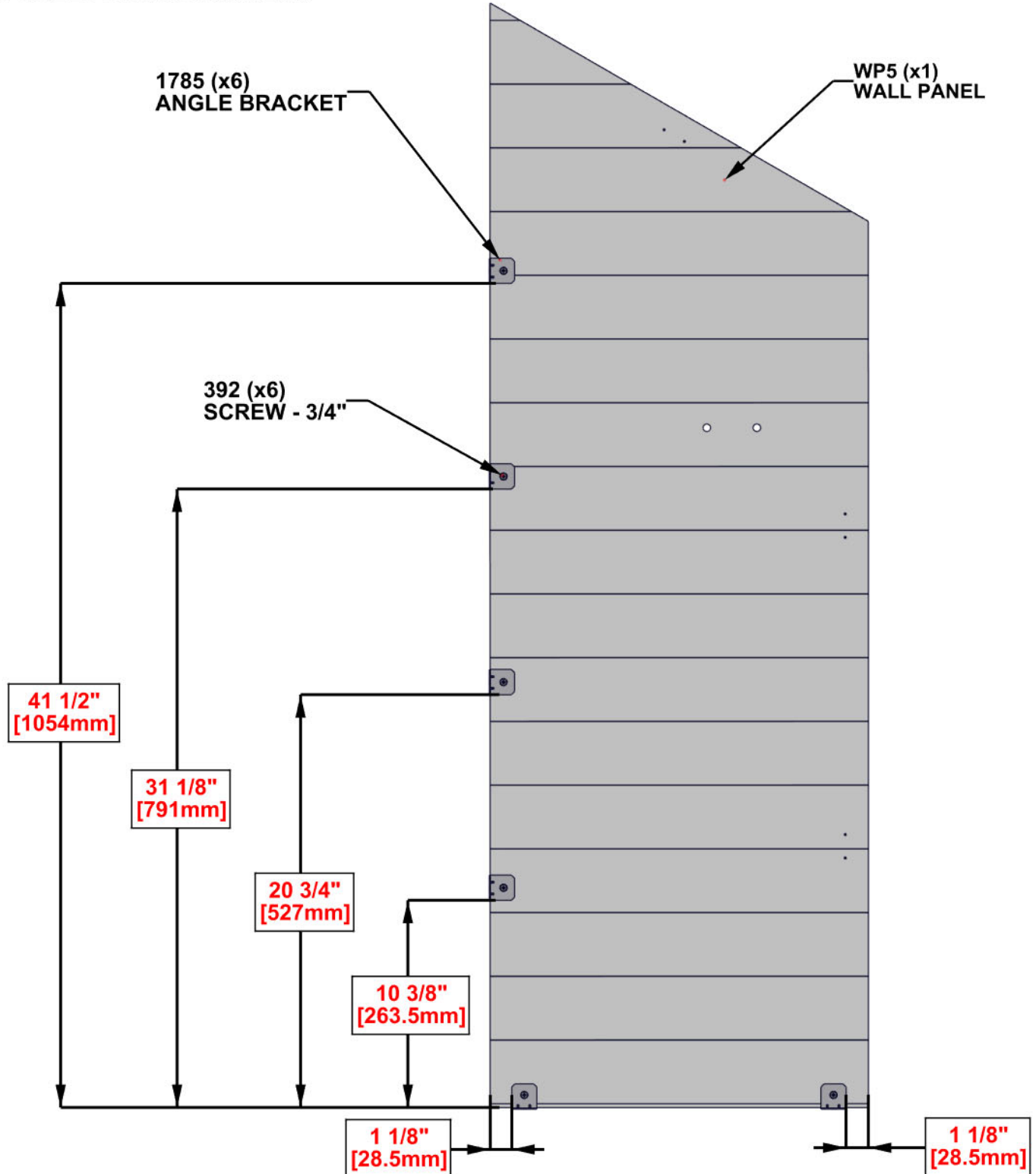
Qty	PART NUMBER	DESCRIPTION
6	H100392	SCREW PWH 8x3/4 BLK



WP5 WALL PANEL - W2A04048
 (x1) 1 1/16"X19 1/16"X55 5/8" (27x484x1412)

A4M01785 ANGLE BRACKET
 (x6)

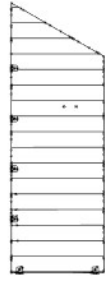
- USE PILOT HOLES TO ALIGN SCREWS



STEP 18 C - WP5 & WP6 ASSEMBLY

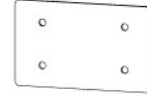


WP6 ASSEMBLY
(x1) (FROM STEP 18 A)



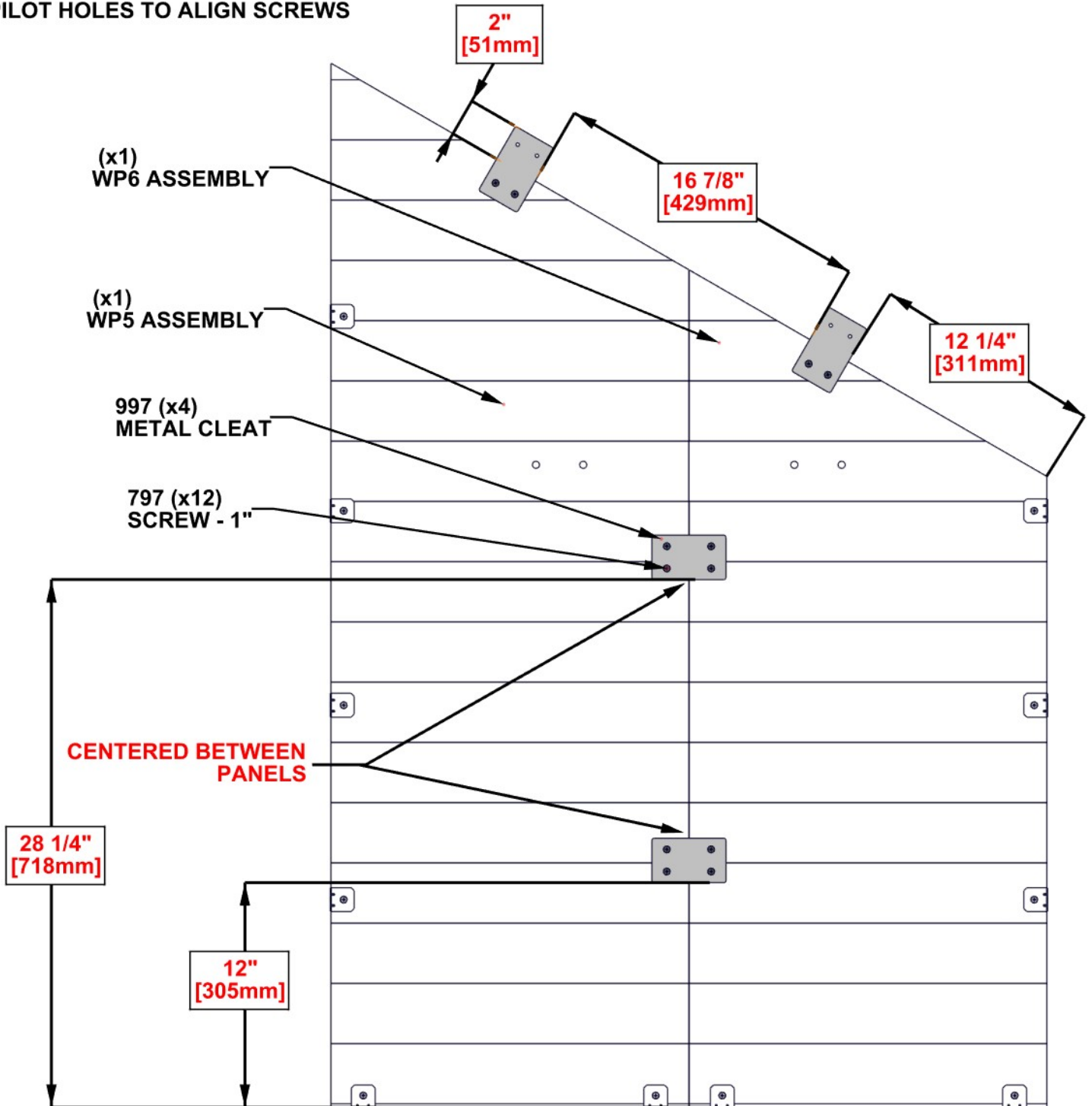
WP5 ASSEMBLY
(x1) (FROM STEP 18 B)

Qty	PART NUMBER	DESCRIPTION
12	H100797	SCREW PWH 8x1 BLK



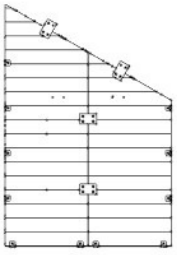
A4M00997 METAL CLEAT
(x4)

- USE PILOT HOLES TO ALIGN SCREWS



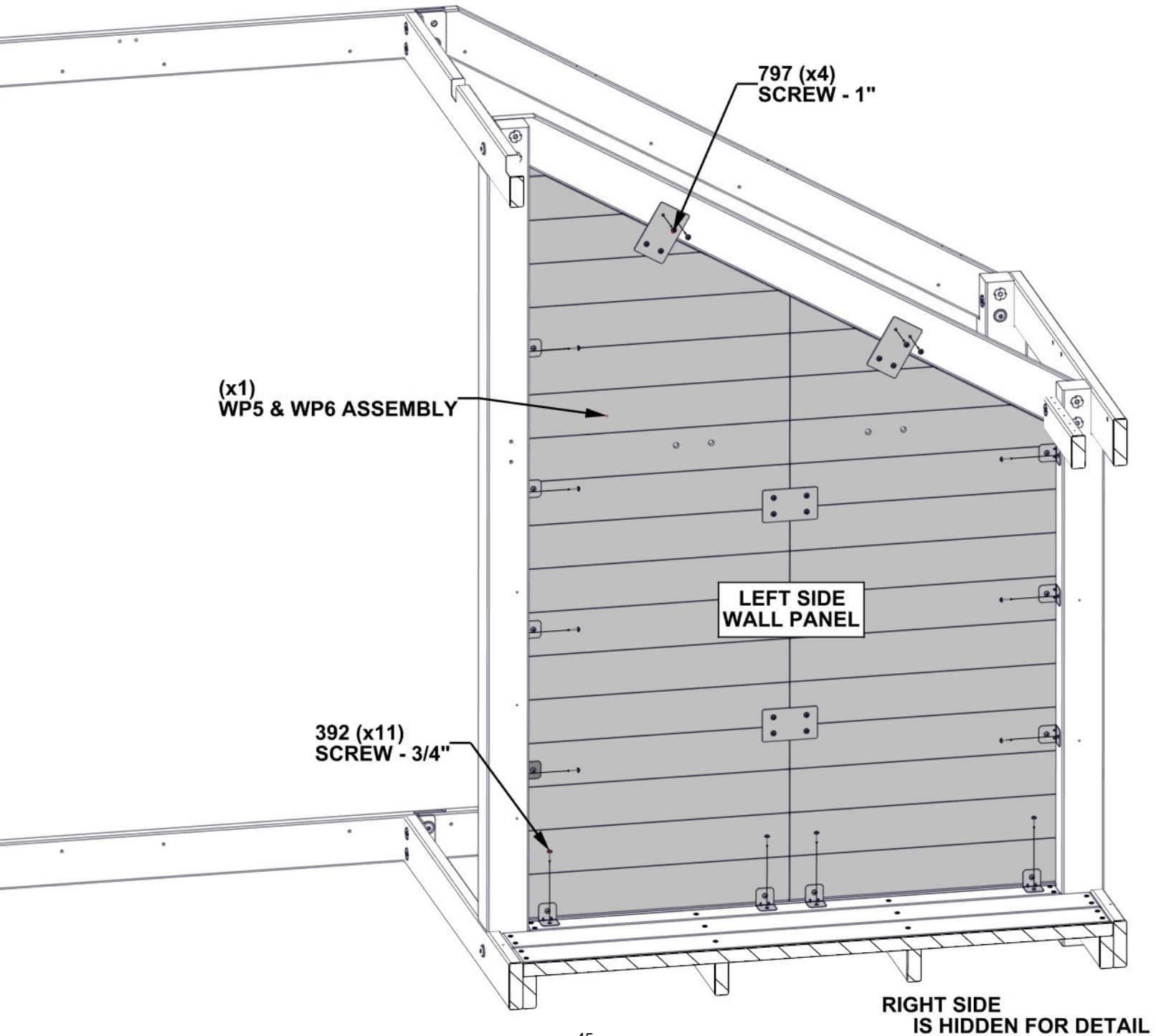
STEP 18 D

Qty	PART NUMBER	DESCRIPTION
4	H100797	SCREW PWH 8x1 BLK
11	H100392	SCREW PWH 8x3/4 BLK

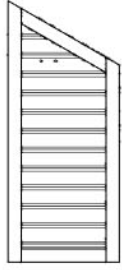


WP5 & WP6 ASSEMBLY
(x1) (FROM STEPS 18 C)

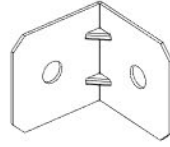
- PREDRILL 1/8" [3mm] PILOT HOLES FOR THE ATTACHMENT OF HARDWARE ON FLOORING BOARDS
- USE PILOT HOLES TO ALIGN SCREWS



STEP 19 A - WP4 ASSEMBLY



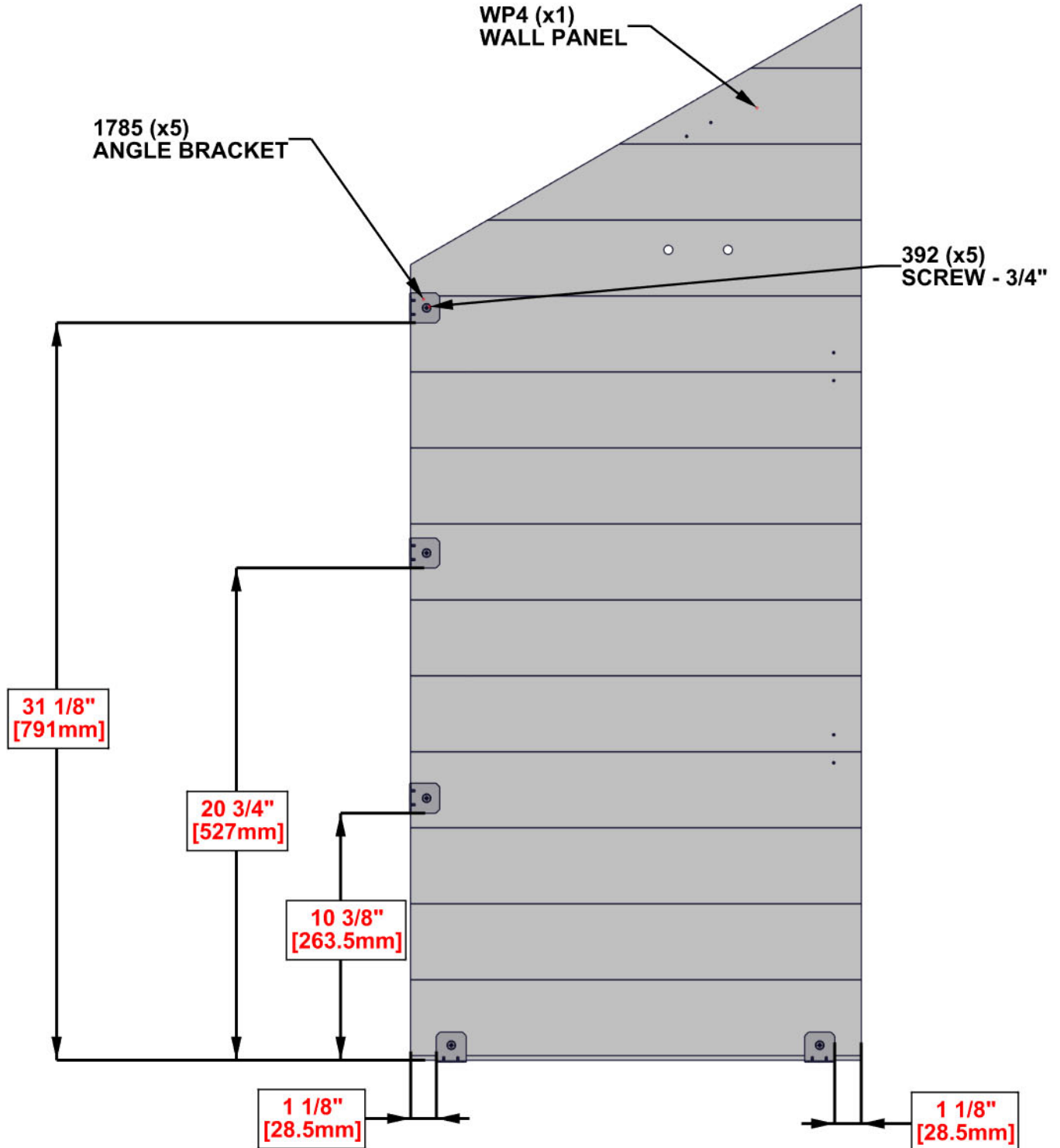
Qty	PART NUMBER	DESCRIPTION
5	H100392	SCREW PWH 8x3/4 BLK



WP4 WALL PANEL - W2A04047
 (x1) 1 1/16"X19 1/16"X44 9/16" (27x484x1133)

A4M01785 ANGLE BRACKET
 (x5)

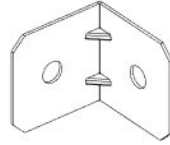
- USE PILOT HOLES TO ALIGN SCREWS



STEP 19 B - WP3 ASSEMBLY



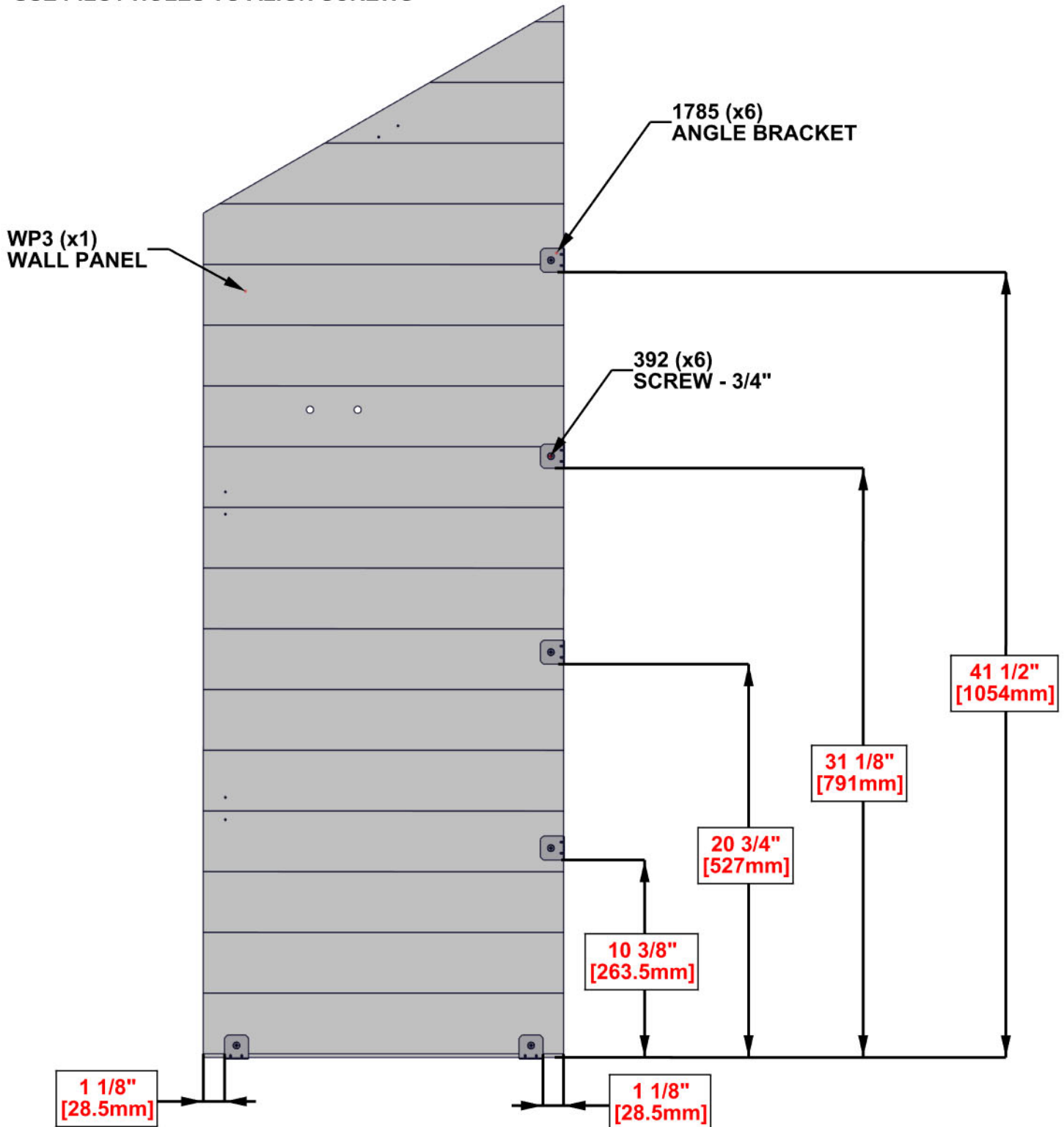
Qty	PART NUMBER	DESCRIPTION
6	H100392	SCREW PWH 8x3/4 BLK



WP3 WALL PANEL - W2A04046
 (x1) 1 1/16"X19 1/16"X55 5/8" (27x484x1412)

A4M01785 ANGLE BRACKET
 (x6)

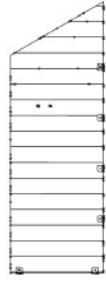
- USE PILOT HOLES TO ALIGN SCREWS



STEP 19 C - WP3 & WP4 ASSEMBLY

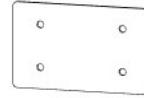


WP4 ASSEMBLY
(x1) (FROM STEP 19 A)



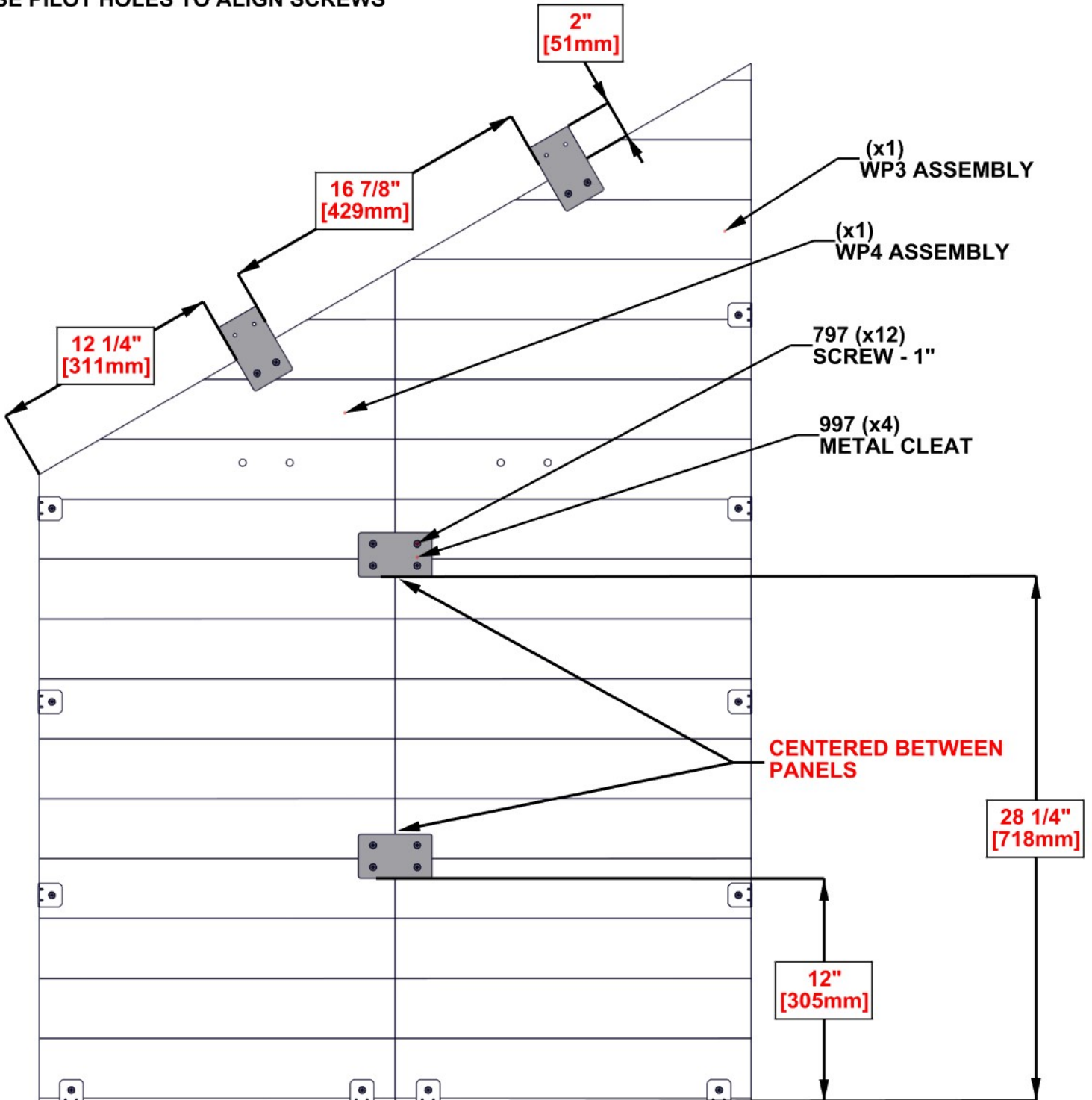
WP3 ASSEMBLY
(x1) (FROM STEP 19 B)

Qty	PART NUMBER	DESCRIPTION
12	H100797	SCREW PWH 8x1 BLK

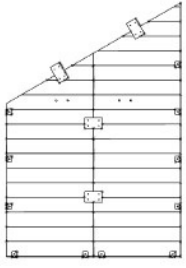


A4M00997 METAL CLEAT
(x4)

- USE PILOT HOLES TO ALIGN SCREWS



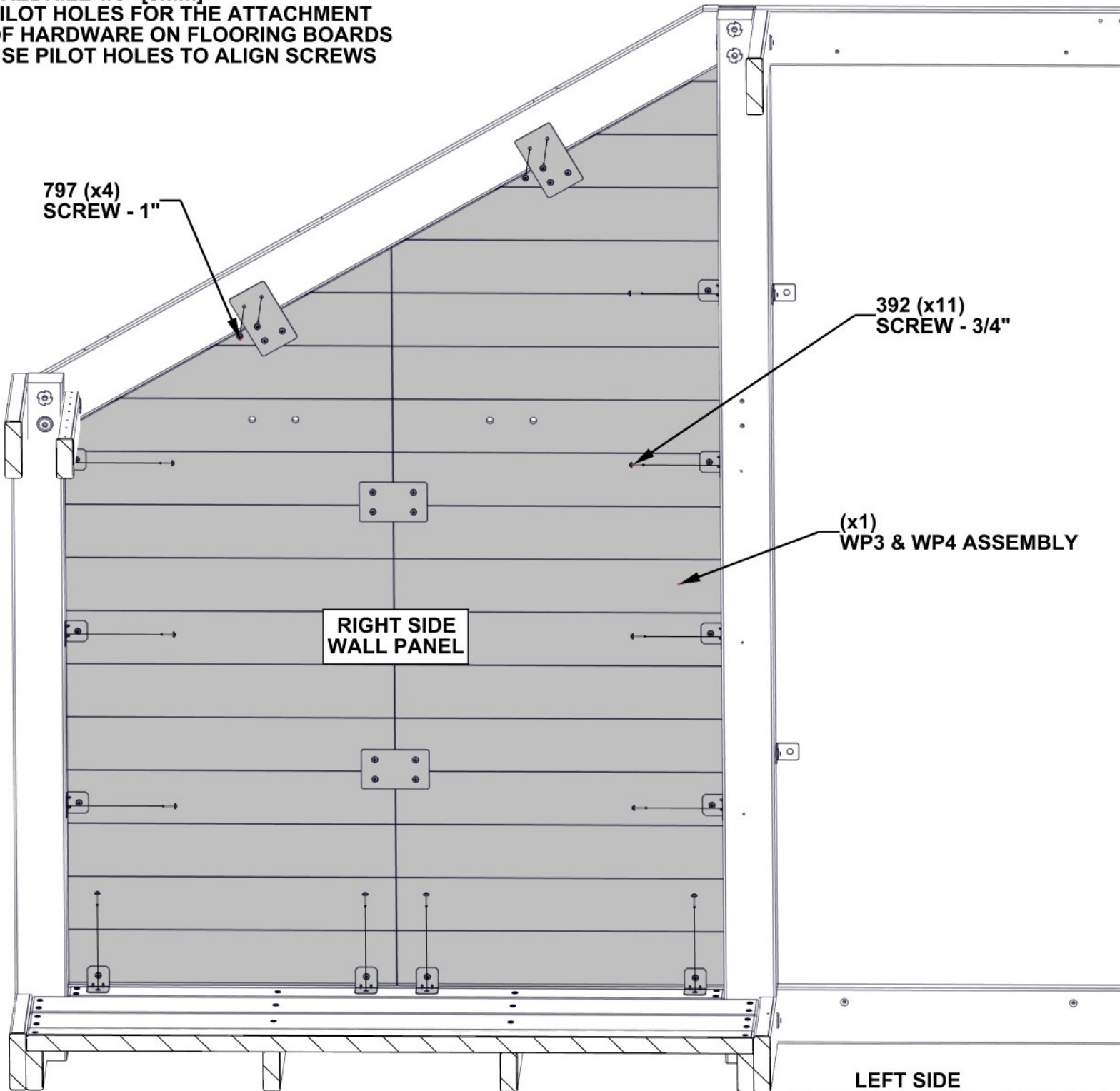
STEP 19 D



Qty	PART NUMBER	DESCRIPTION
4	H100797	SCREW PWH 8x1 BLK
11	H100392	SCREW PWH 8x3/4 BLK

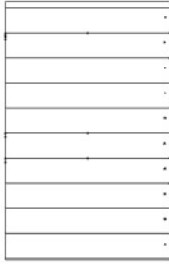
WP3 & WP4 ASSEMBLY
(x1) (FROM STEPS 19 C)

- PREDRILL 1/8" [3mm] PILOT HOLES FOR THE ATTACHMENT OF HARDWARE ON FLOORING BOARDS
- USE PILOT HOLES TO ALIGN SCREWS

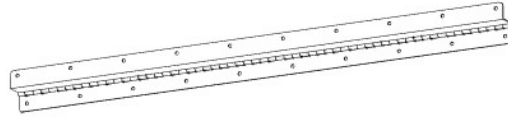


LEFT SIDE IS HIDDEN FOR DETAIL

STEP 20 A - DP2 DOOR PANEL ASSEMBLY



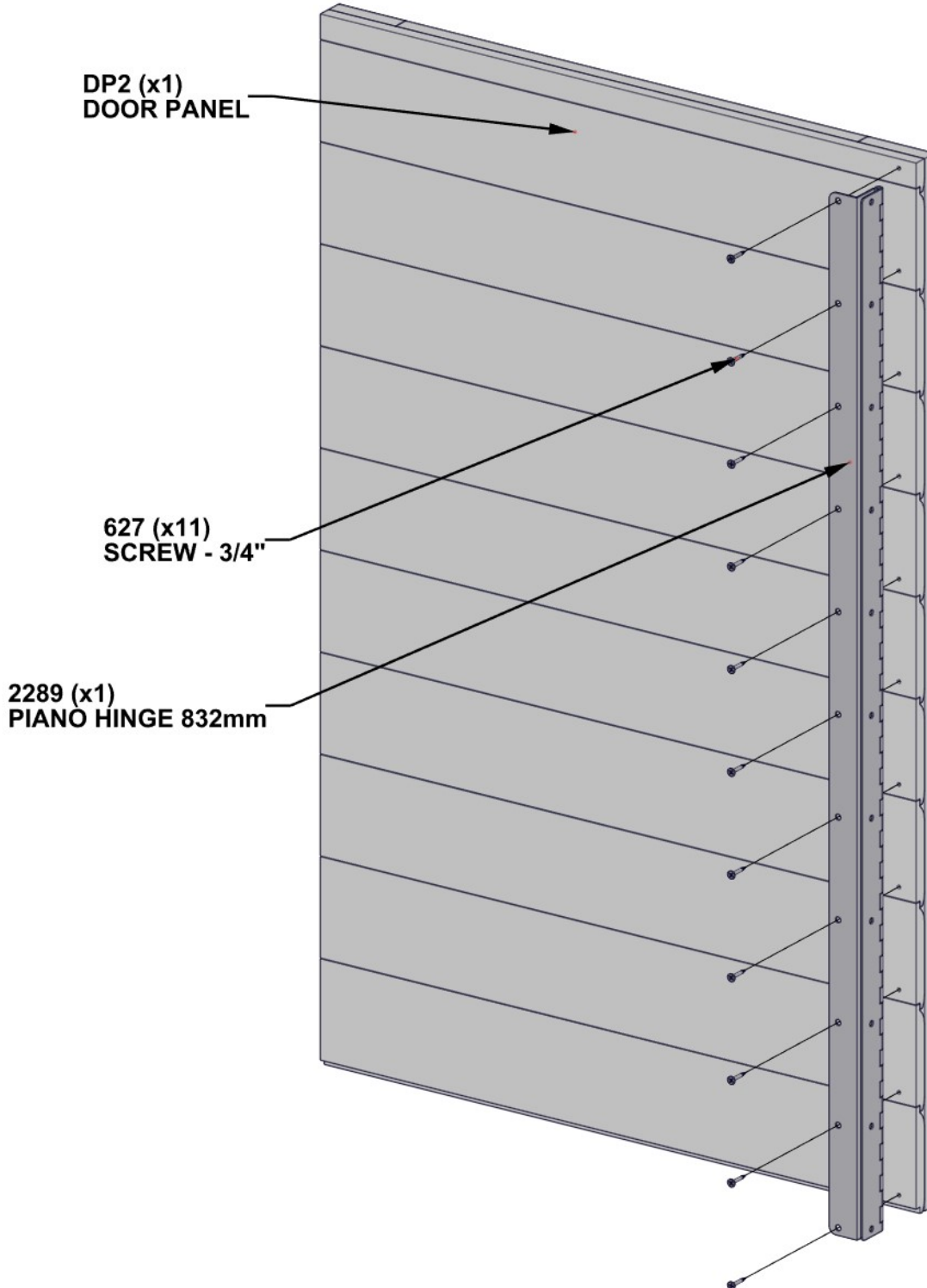
Qty	PART NUMBER	DESCRIPTION
11	H100627	SCREW PFH 6x3/4 BLK



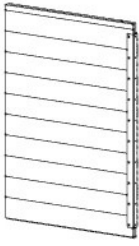
DP2 DOOR PANEL - W2A04052
 (x1) 1 1/16"X21 1/16"X33 1/16" (27x535x840)

A4M02289 PIANO HINGE 832mm
 (x1)

- USE PILOT HOLES TO ALIGN HINGE



STEP 20 B



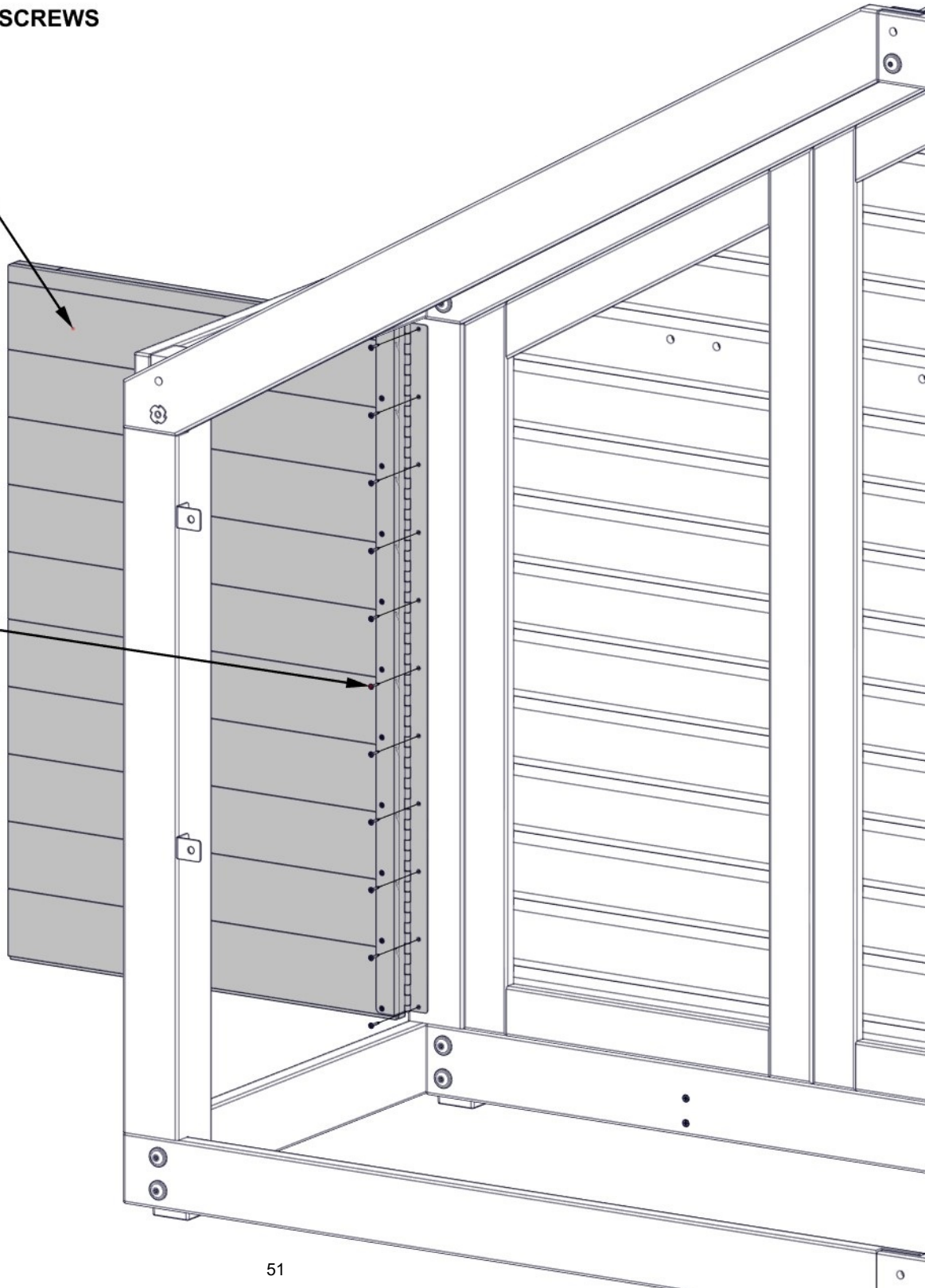
Qty	PART NUMBER	DESCRIPTION
11	H100627	SCREW PFH 6x3/4 BLK

DOOR PANEL & PIANO HINGE ASSEMBLY
(x1) (FROM STEP 20 A)

- USE PILOT HOLES TO ALIGN SCREWS

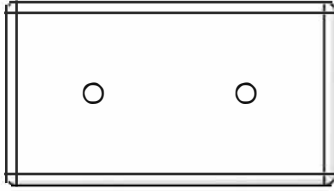
(x1)
DOOR PANEL & PIANO
HINGE ASSEMBLY

627 (x11)
SCREW - 3/4"



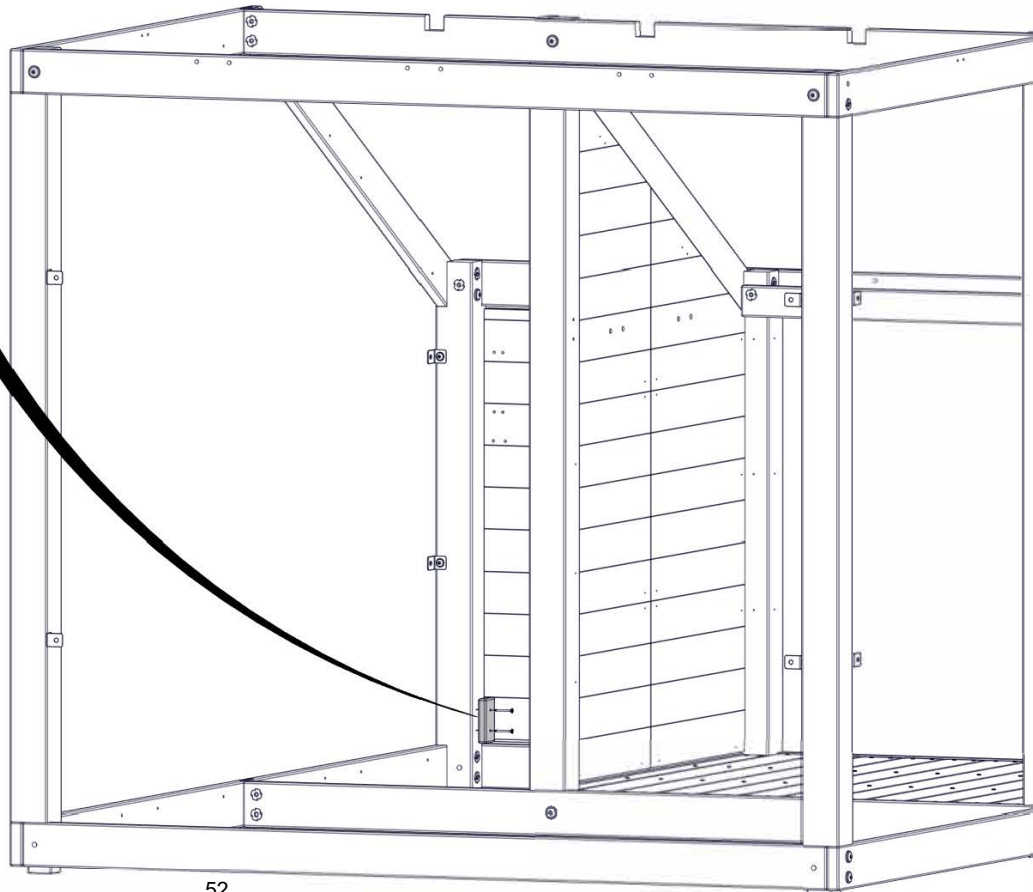
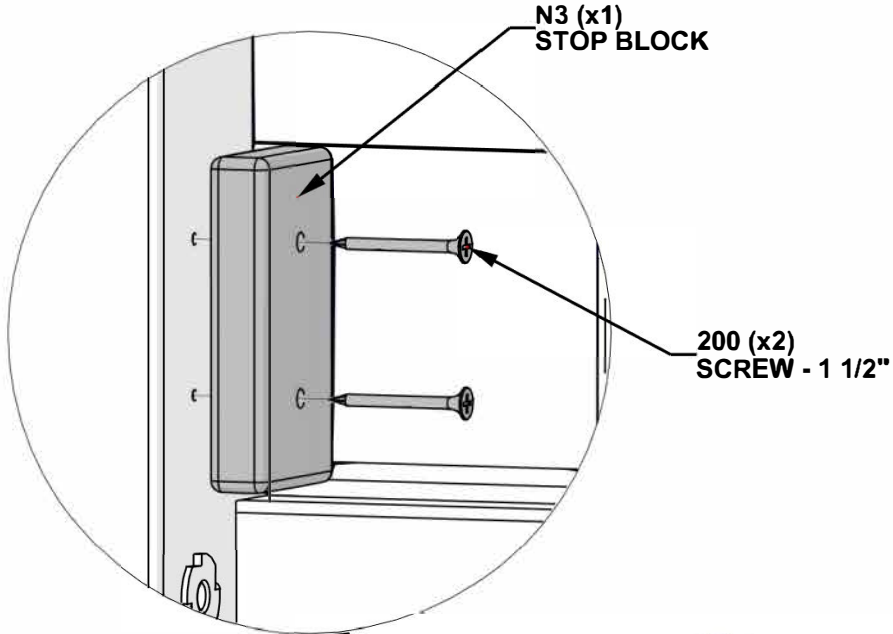
STEP 20 C

Qty	PART NUMBER	DESCRIPTION
2	H100200	SCREW PFH 8x1 1/2 BLK



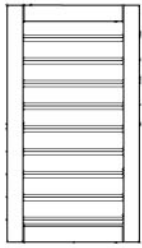
N3 STOP BLOCK - W4L21179
(x1) 5/8"x1 7/8"x3 3/8" (16x48x86)

- USE PILOT HOLES TO ALIGN SCREWS

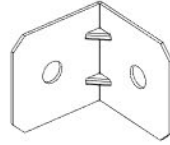


STEP 21 A - WP7 ASSEMBLY

Qty	PART NUMBER	DESCRIPTION
5	H100392	SCREW PWH 8x3/4 BLK

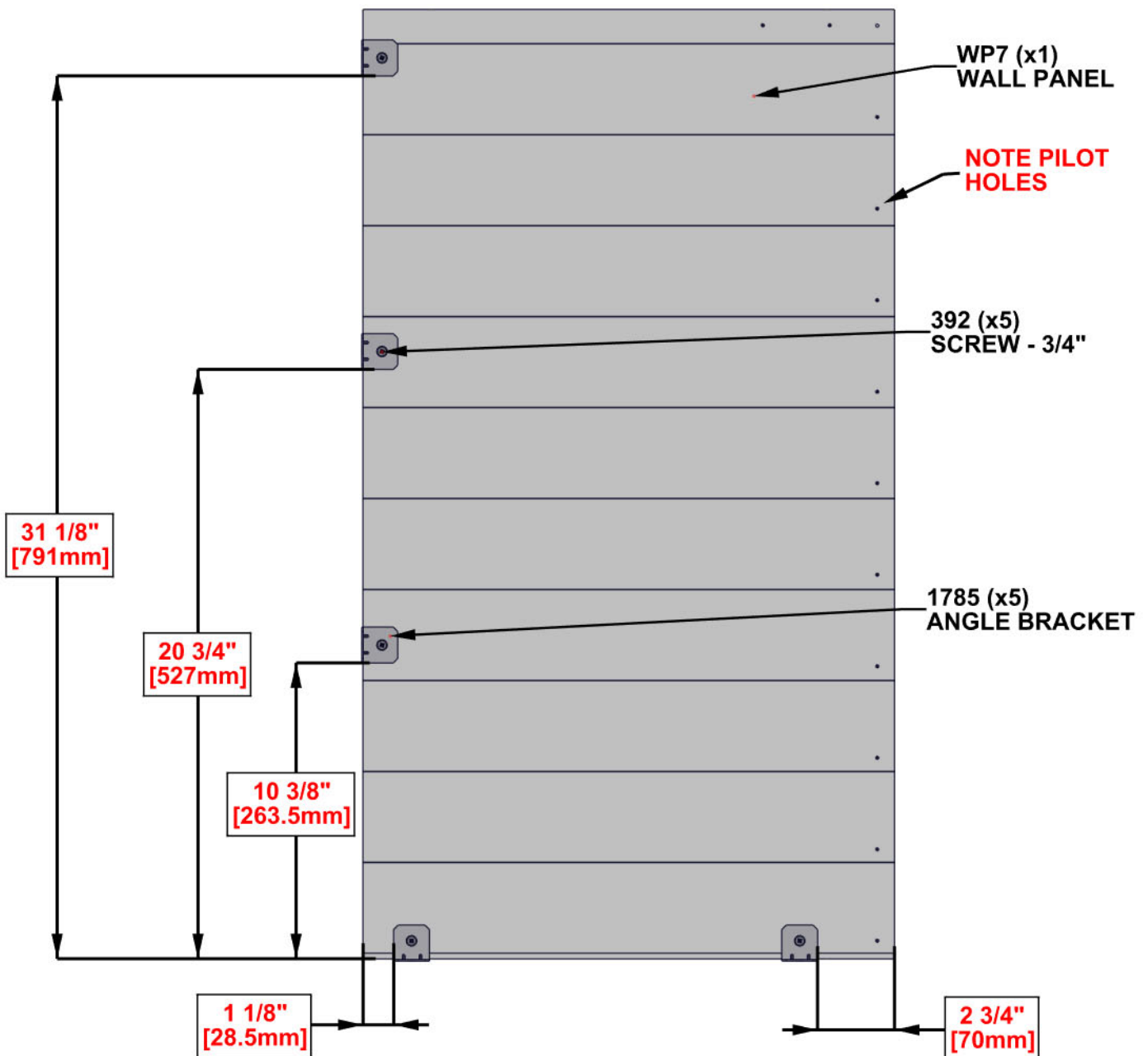


WP7 WALL PANEL - W2A04050
(x1) 1 1/16"X18 3/4"X33 1/2" (27x477x850)



A4M01785 ANGLE BRACKET
(x5)

- USE PILOT HOLES TO ALIGN SCREWS



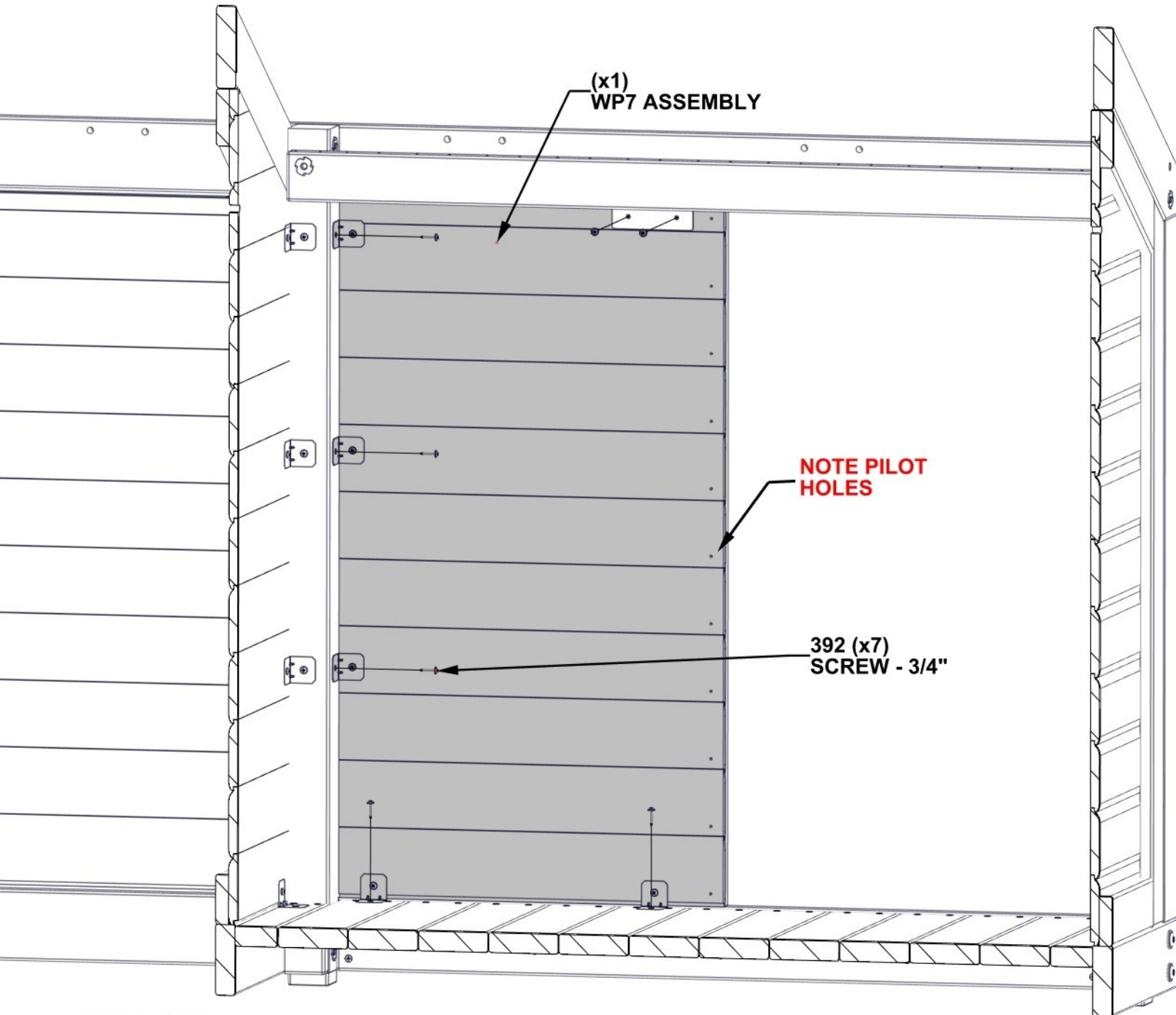
STEP 21 B



Qty	PART NUMBER	DESCRIPTION
7	H100392	SCREW PWH 8x3/4 BLK

WP7 ASSEMBLY
(x1) (FROM STEP 21 A)

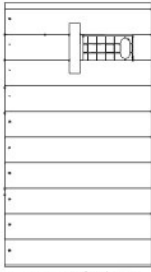
- PREDRILL 1/8" [3mm] PILOT HOLES FOR THE ATTACHMENT OF HARDWARE ON FLOORING BOARDS
- USE PILOT HOLES TO ALIGN SCREWS



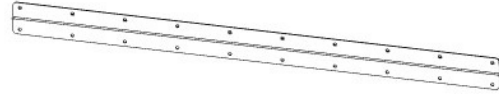
FRONT SIDE
IS HIDDEN FOR DETAIL

STEP 22 A - DP1 DOOR ASSEMBLY

Qty	PART NUMBER	DESCRIPTION
11	H100627	SCREW PFH 6x3/4 BLK

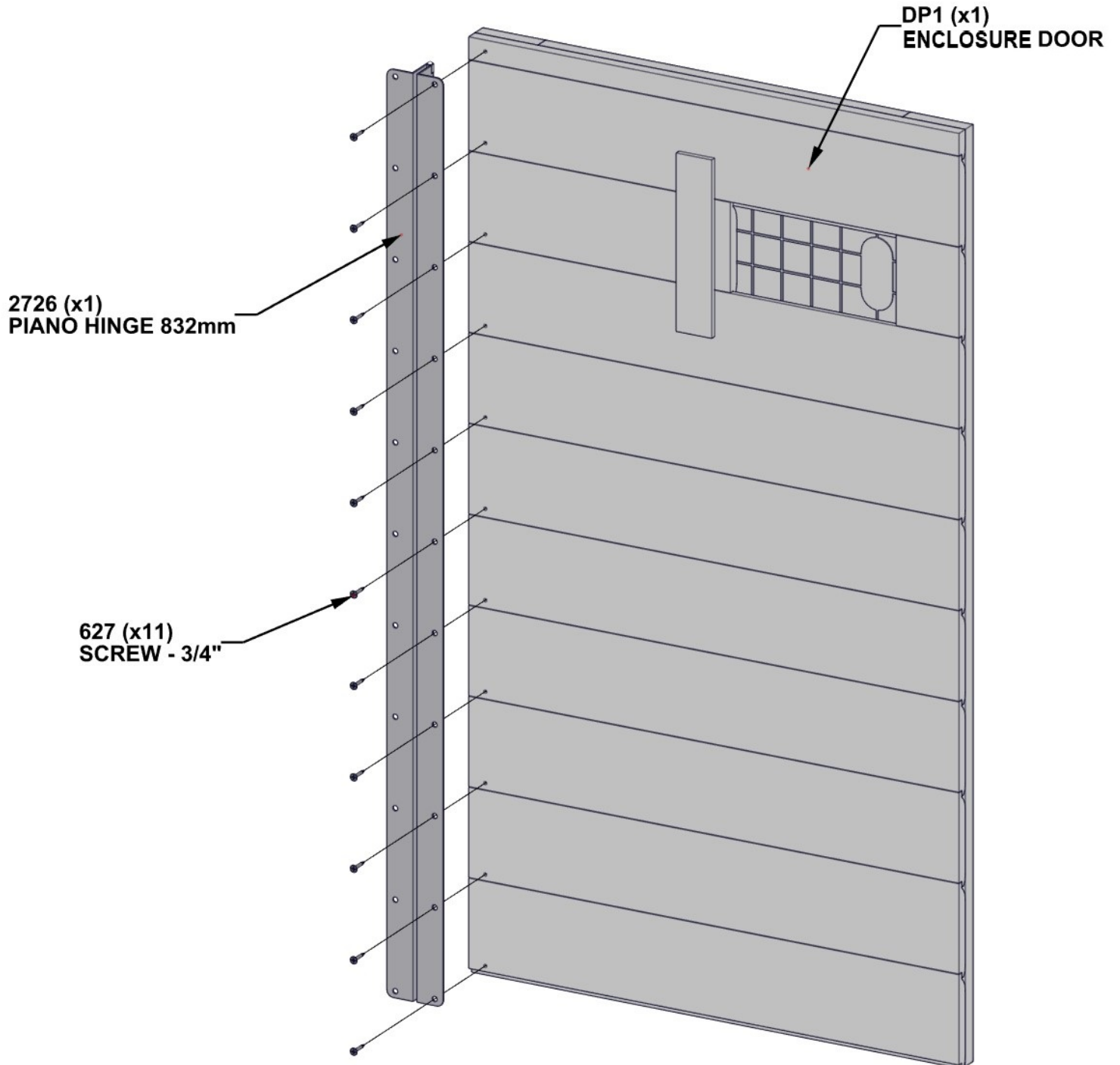


DP1 ENCLOSURE DOOR - W2A04051
 (x1) 1 1/4"X18 7/16"X33 1/16" (32x469x840)

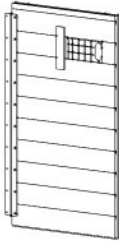


A4M02726 HINGE 832mm
 (x1)

- USE PILOT HOLES TO ALIGN HINGE



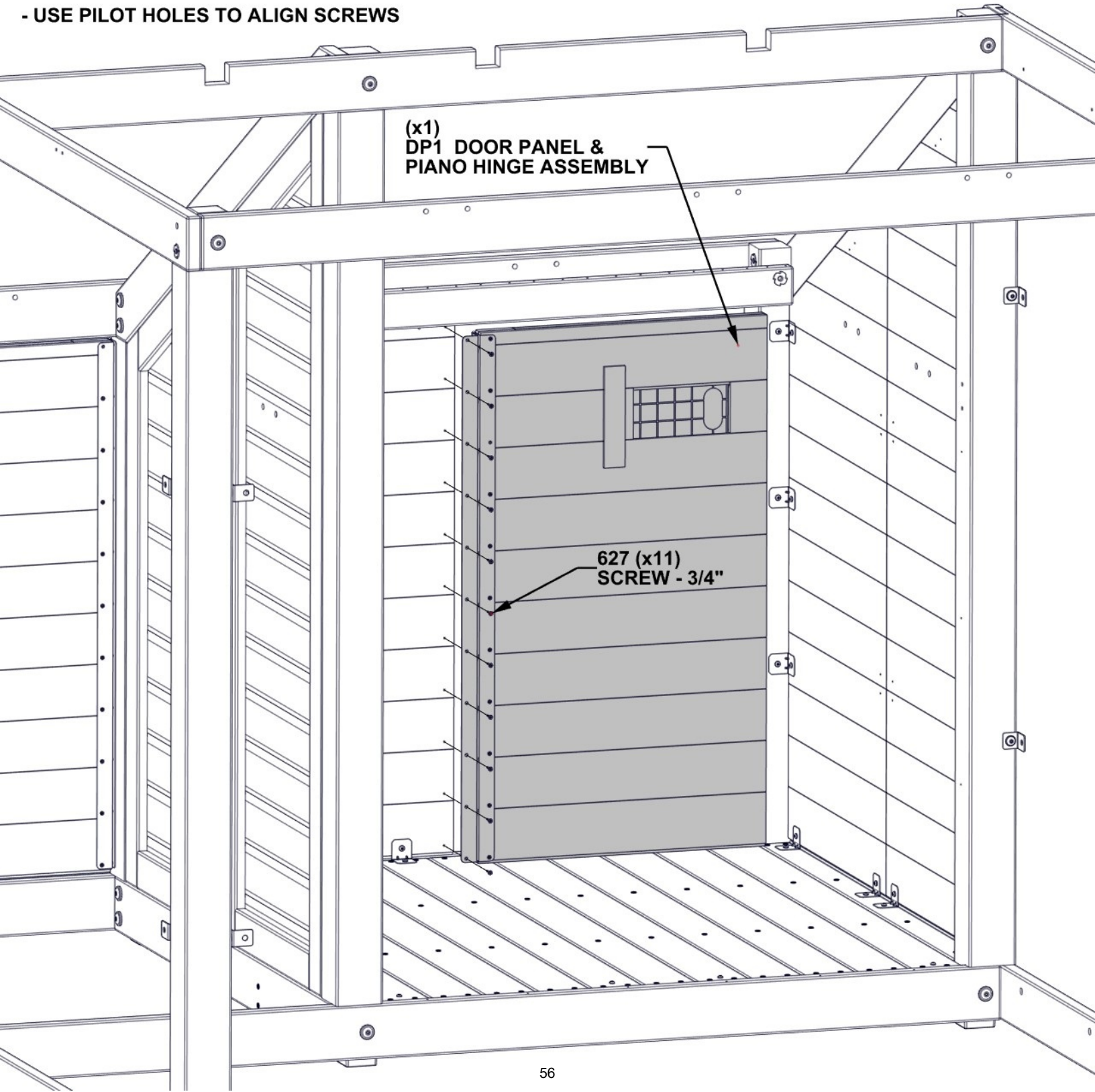
STEP 22 B



Qty	PART NUMBER	DESCRIPTION
11	H100627	SCREW PFH 6x3/4 BLK

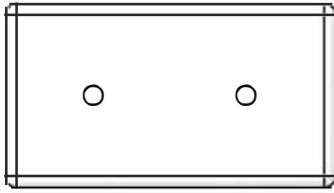
DP1 DOOR PANEL & PIANO HINGE ASSEMBLY
(x1) (FROM STEP 22 A)

- USE PILOT HOLES TO ALIGN SCREWS



STEP 22 C

Qty	PART NUMBER	DESCRIPTION
2	H100200	SCREW PFH 8x1 1/2 BLK

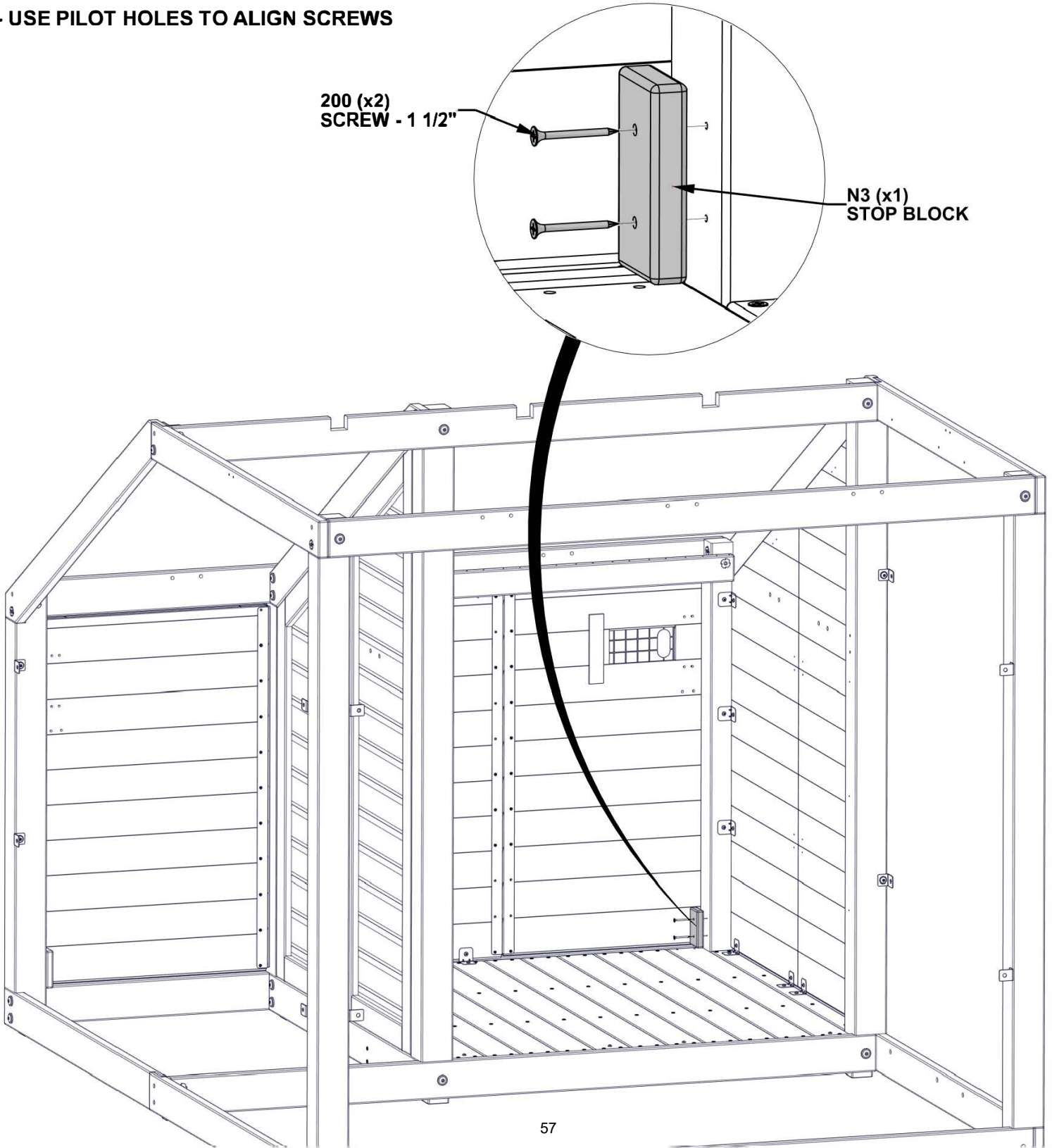


N3 STOP BLOCK - W4L21179
(x1) 5/8"x1 7/8"x3 3/8" (16x48x86)

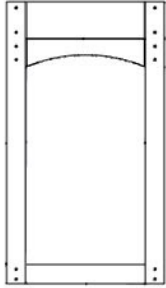
- USE PILOT HOLES TO ALIGN SCREWS

200 (x2)
SCREW - 1 1/2"

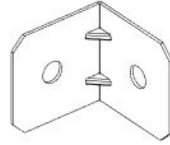
N3 (x1)
STOP BLOCK



STEP 23 A - WP2 ASSEMBLY



Qty	PART NUMBER	DESCRIPTION
9	H100392	SCREW PWH 8x3/4 BLK

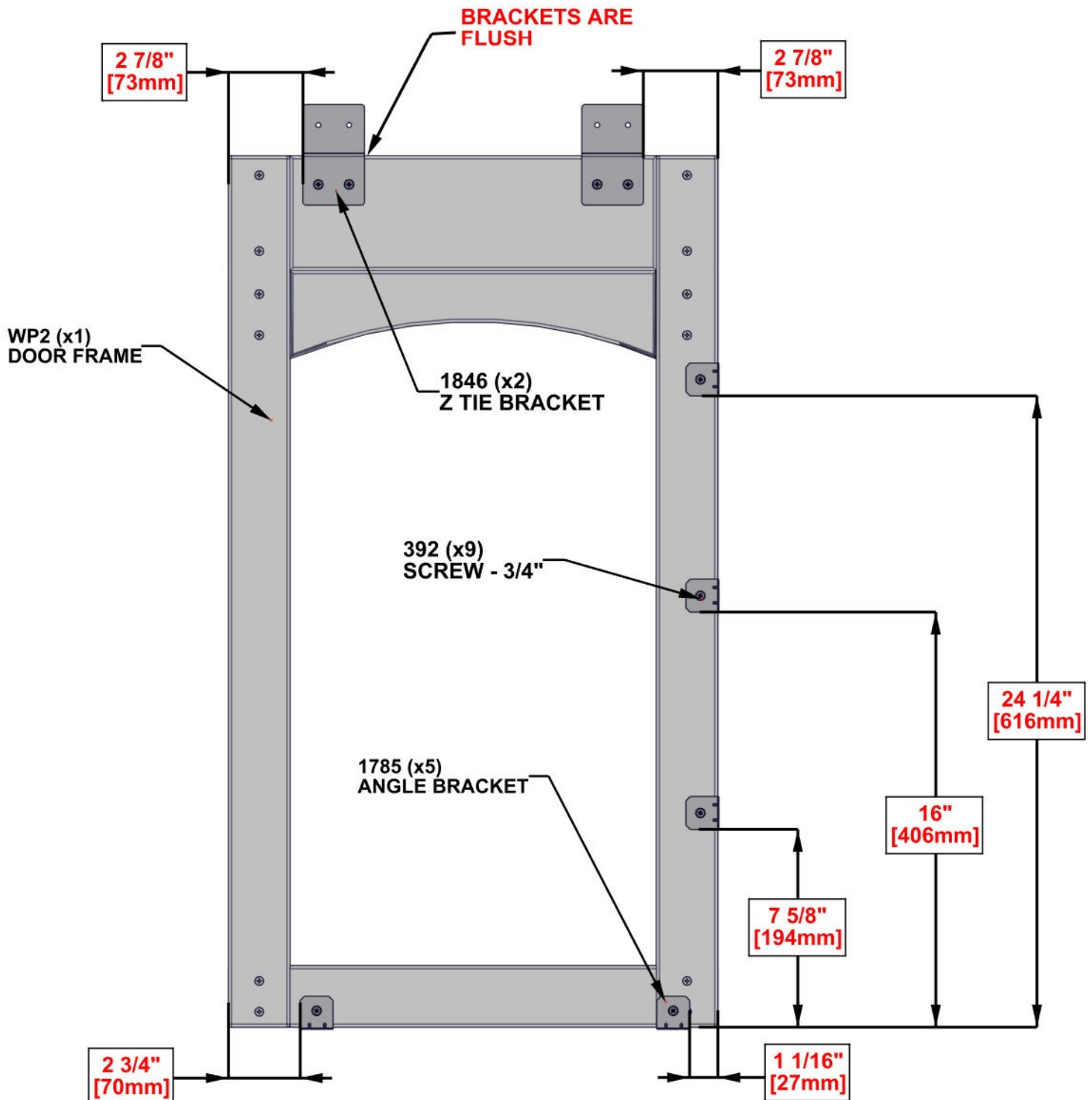


WP2 DOOR FRAME - W2A04045
 (x1) 1 7/16"X18 13/16"X33 1/2" (36x478x850)

A4M01785 ANGLE BRACKET
 (x5)

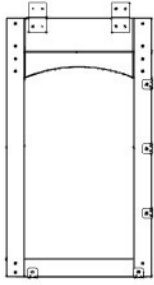
A4M01846 Z TIE BRACKET
 (x2)

- USE PILOT HOLES TO ALIGN SCREWS



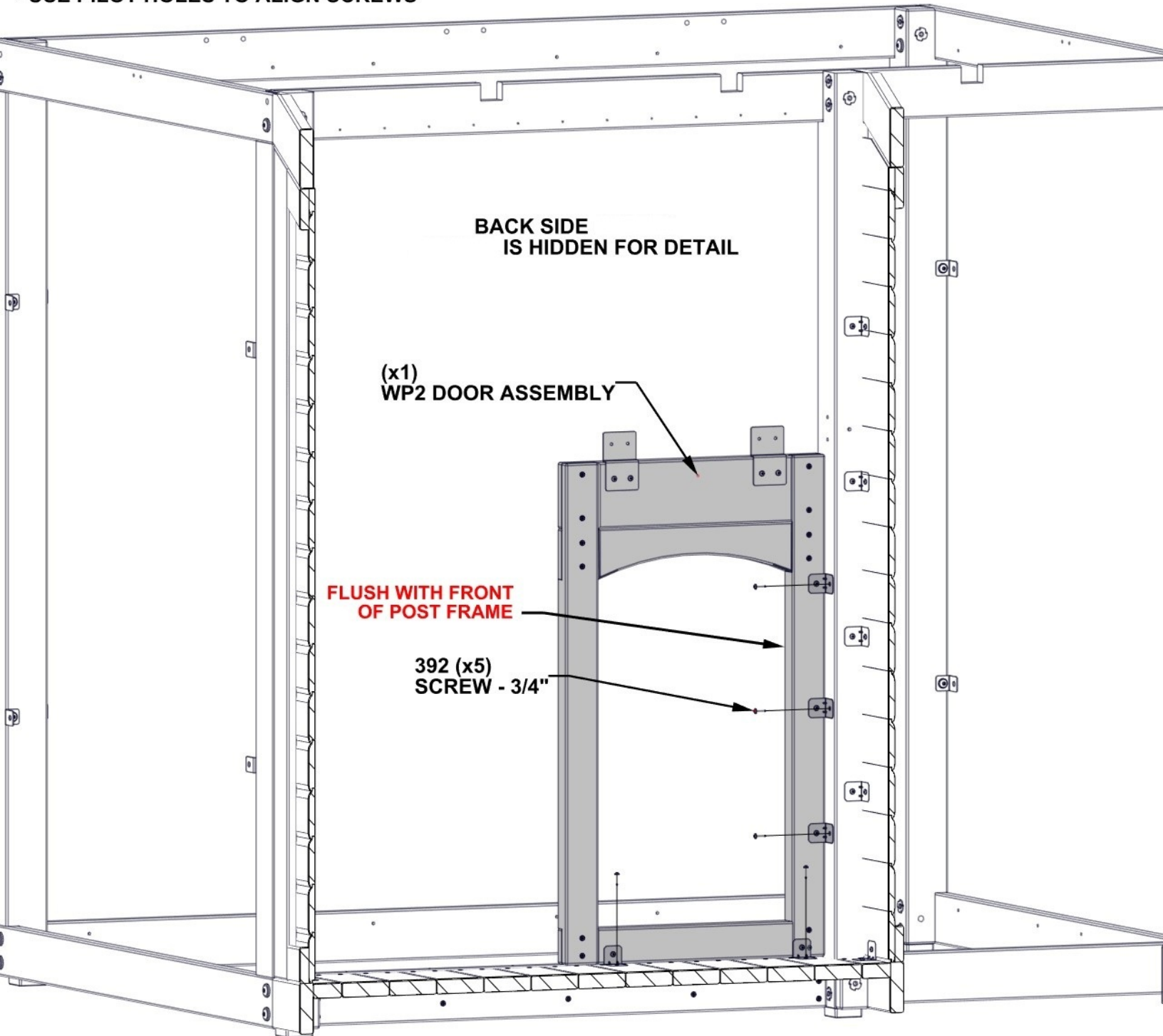
STEP 23 B

Qty	PART NUMBER	DESCRIPTION
5	H100392	SCREW PWH 8x3/4 BLK



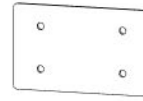
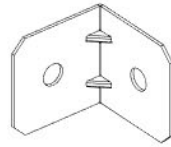
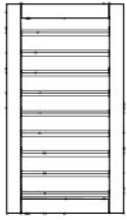
WP2 DOOR ASSEMBLY
(x1) (FROM STEP 23 A)

- PREDRILL 1/8" [3mm] PILOT HOLES FOR THE ATTACHMENT OF HARDWARE ON FLOORING BOARDS
- USE PILOT HOLES TO ALIGN SCREWS



STEP 24 A - WP1 ASSEMBLY

Qty	PART NUMBER	DESCRIPTION
7	H100392	SCREW PWH 8x3/4 BLK

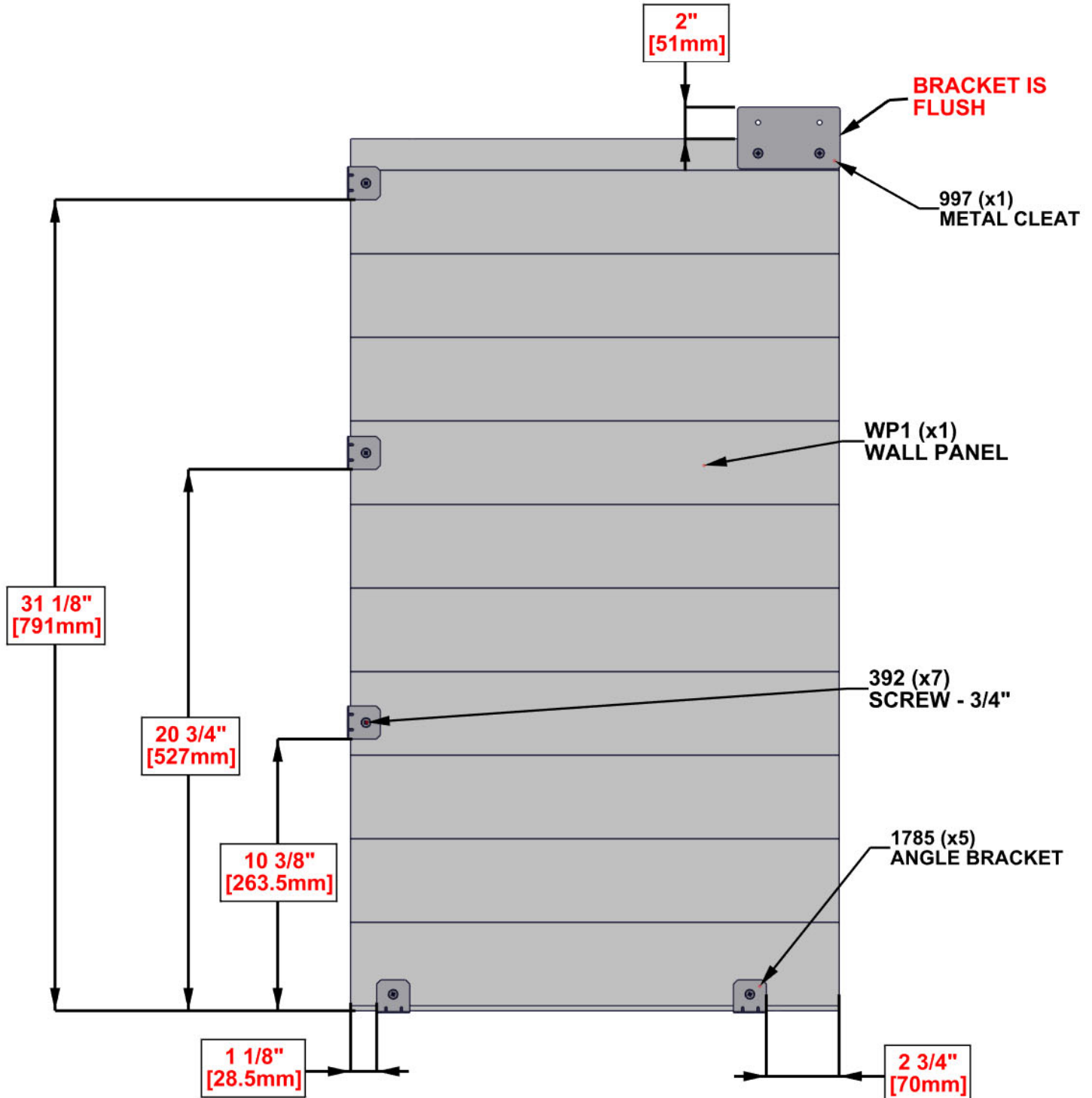


WP1 WALL PANEL - W2A04044
 (x1) 1 1/16"X18 3/4"X33 1/2" (27x477x850)

A4M01785 ANGLE BRACKET
 (x5)

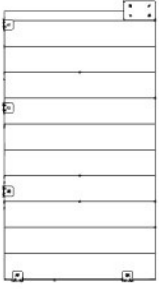
A4M00997 METAL CLEAT
 (x1)

- USE PILOT HOLES TO ALIGN SCREWS



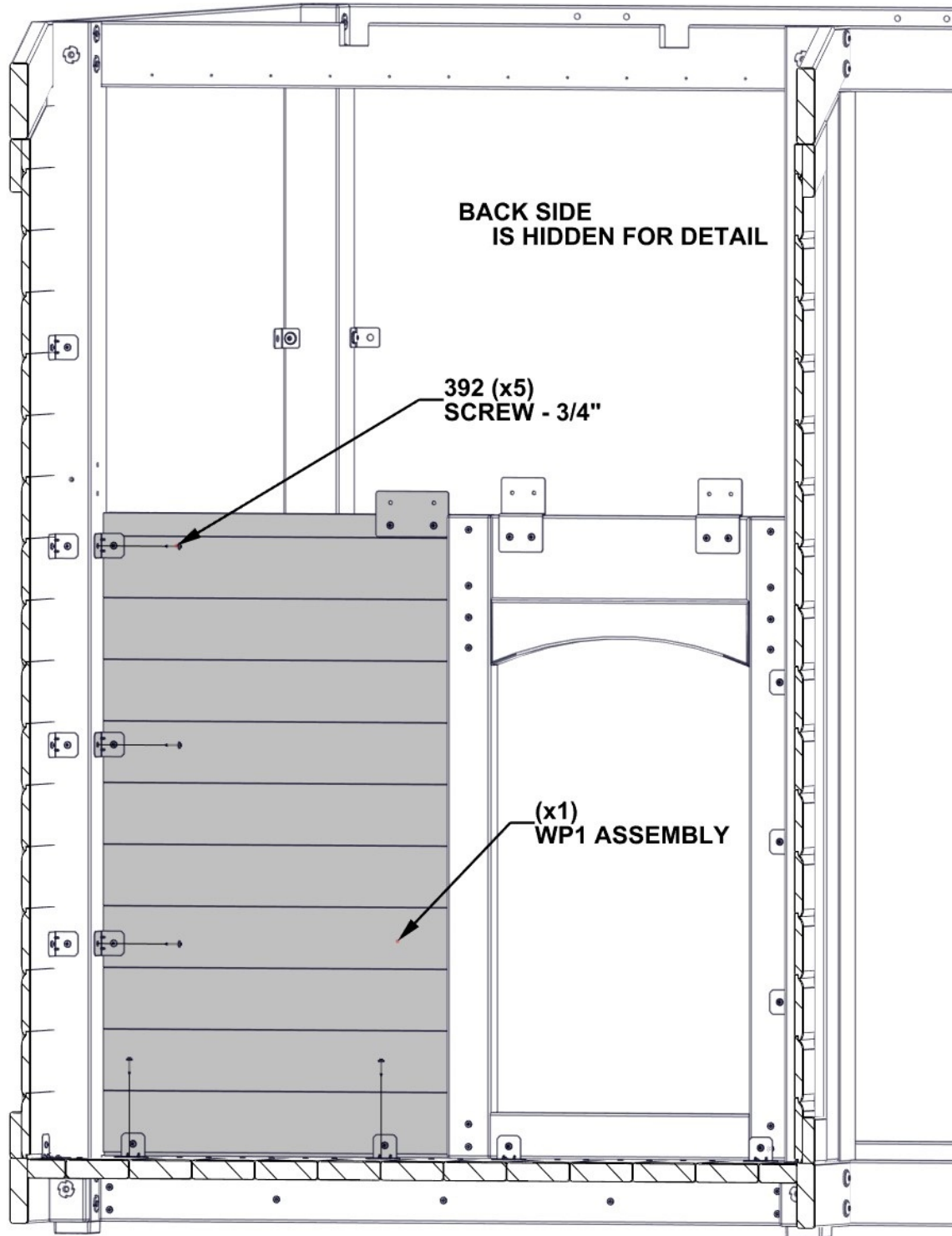
STEP 24 B

Qty	PART NUMBER	DESCRIPTION
5	H100392	SCREW PWH 8x3/4 BLK



WP1 ASSEMBLY
(x1) (FROM STEP 24 A)

- PREDRILL 1/8" [3mm] PILOT HOLES FOR THE ATTACHMENT OF HARDWARE ON FLOORING BOARDS
- USE PILOT HOLES TO ALIGN SCREWS



STEP 25 A

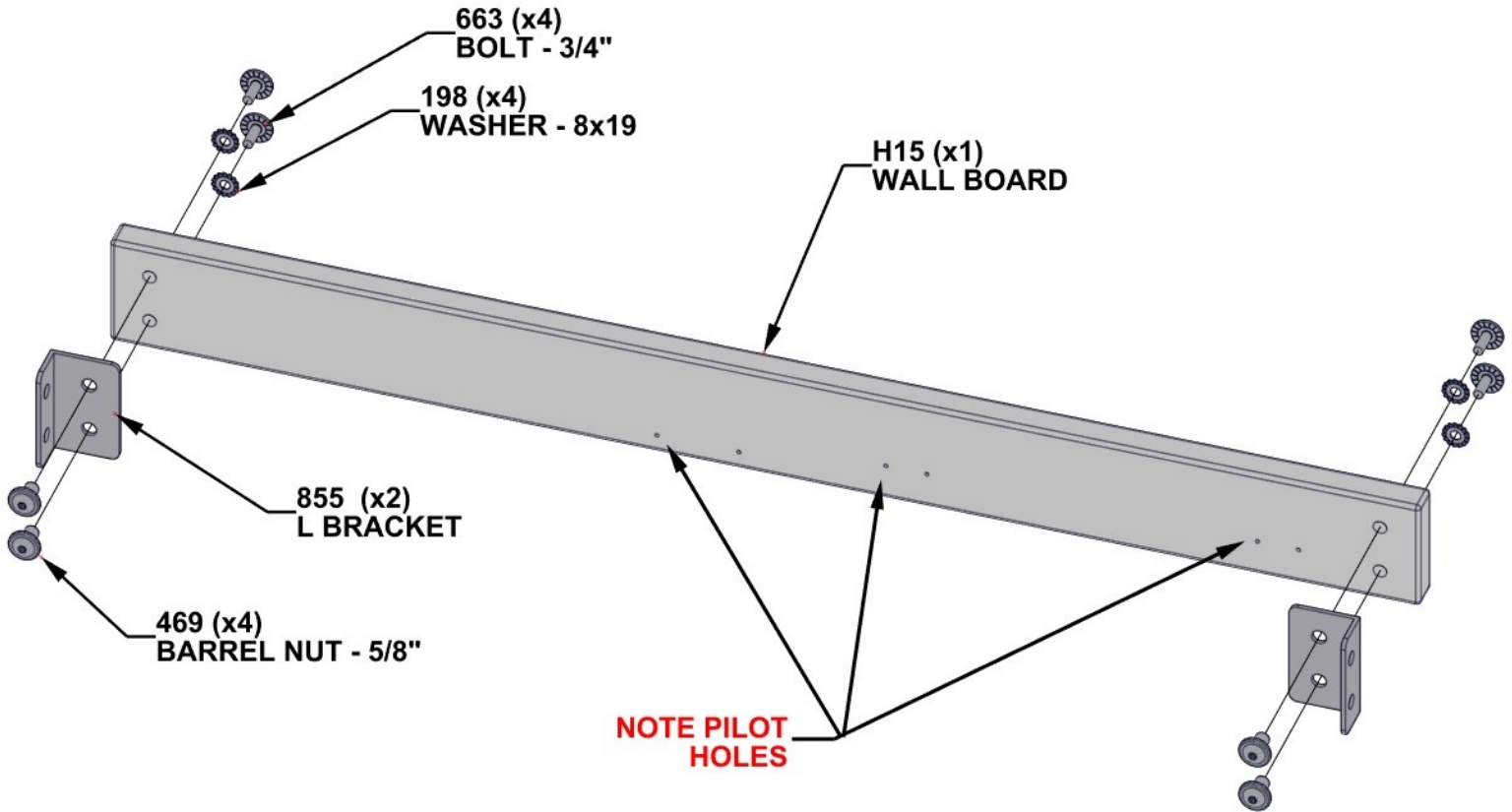


A4M00855 L BRACKET
(x2)

Qty	PART NUMBER	DESCRIPTION
4	H100469	NUT BARREL WH 5/16X5/8 BLK
4	H100663	BOLT WH 5/16x3/4 BLK
4	H100198	WASHER LOCK EXT 8x19

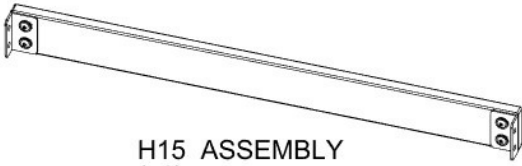


H15 WALL BOARD - W4L19180
(x1) 15/16"X3 3/8"X37 3/4" (24x86x959)



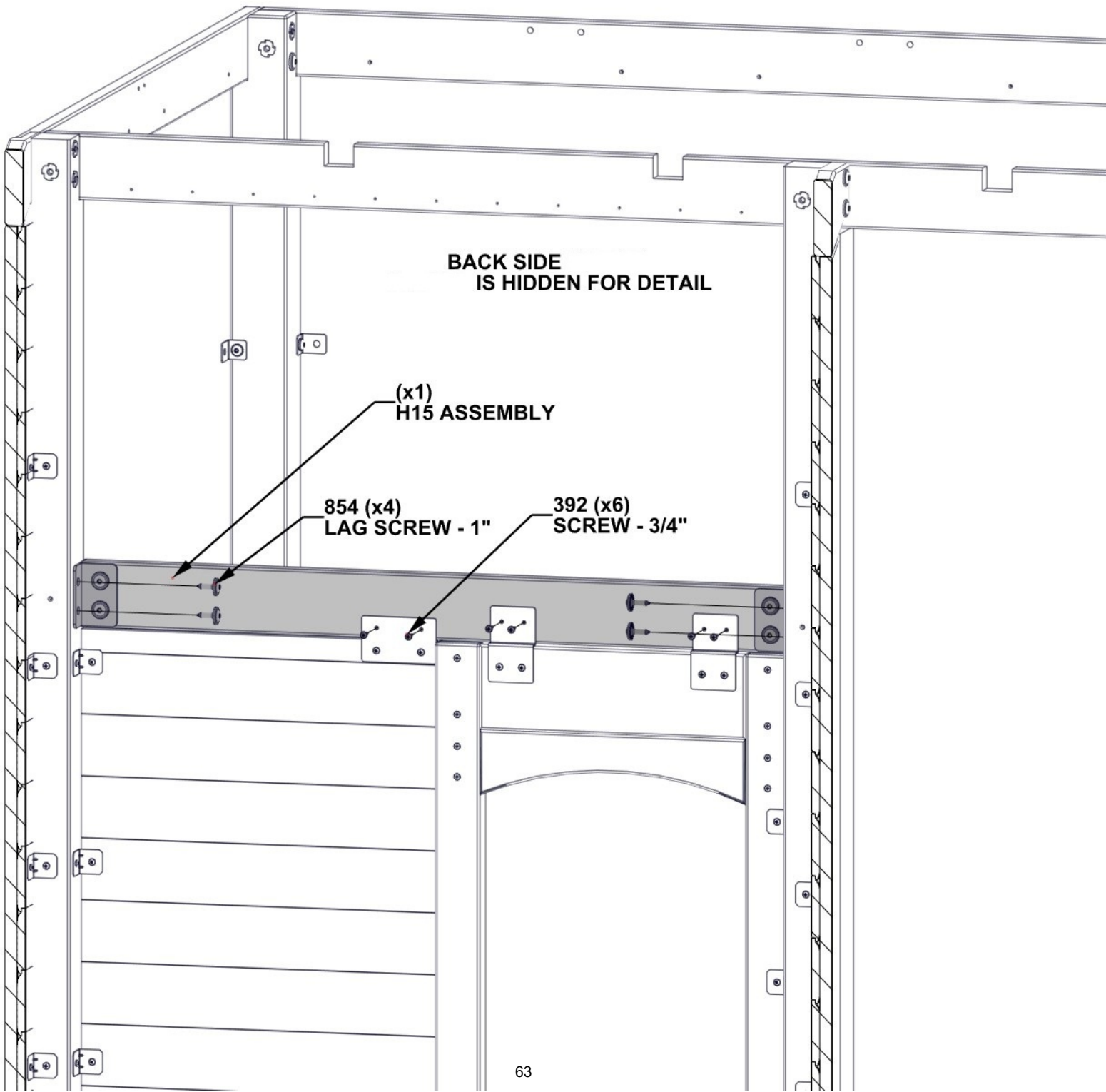
STEP 25 B

Qty	PART NUMBER	DESCRIPTION
4	H100854	LAG SCREW WH 5/16x1 BLK
6	H100392	SCREW PWH 8x3/4 BLK



H15 ASSEMBLY
(x1)

- USE PILOT HOLES TO ALIGN SCREWS



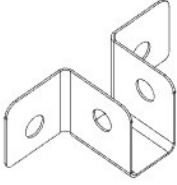
BACK SIDE
IS HIDDEN FOR DETAIL

(x1)
H15 ASSEMBLY

854 (x4)
LAG SCREW - 1"

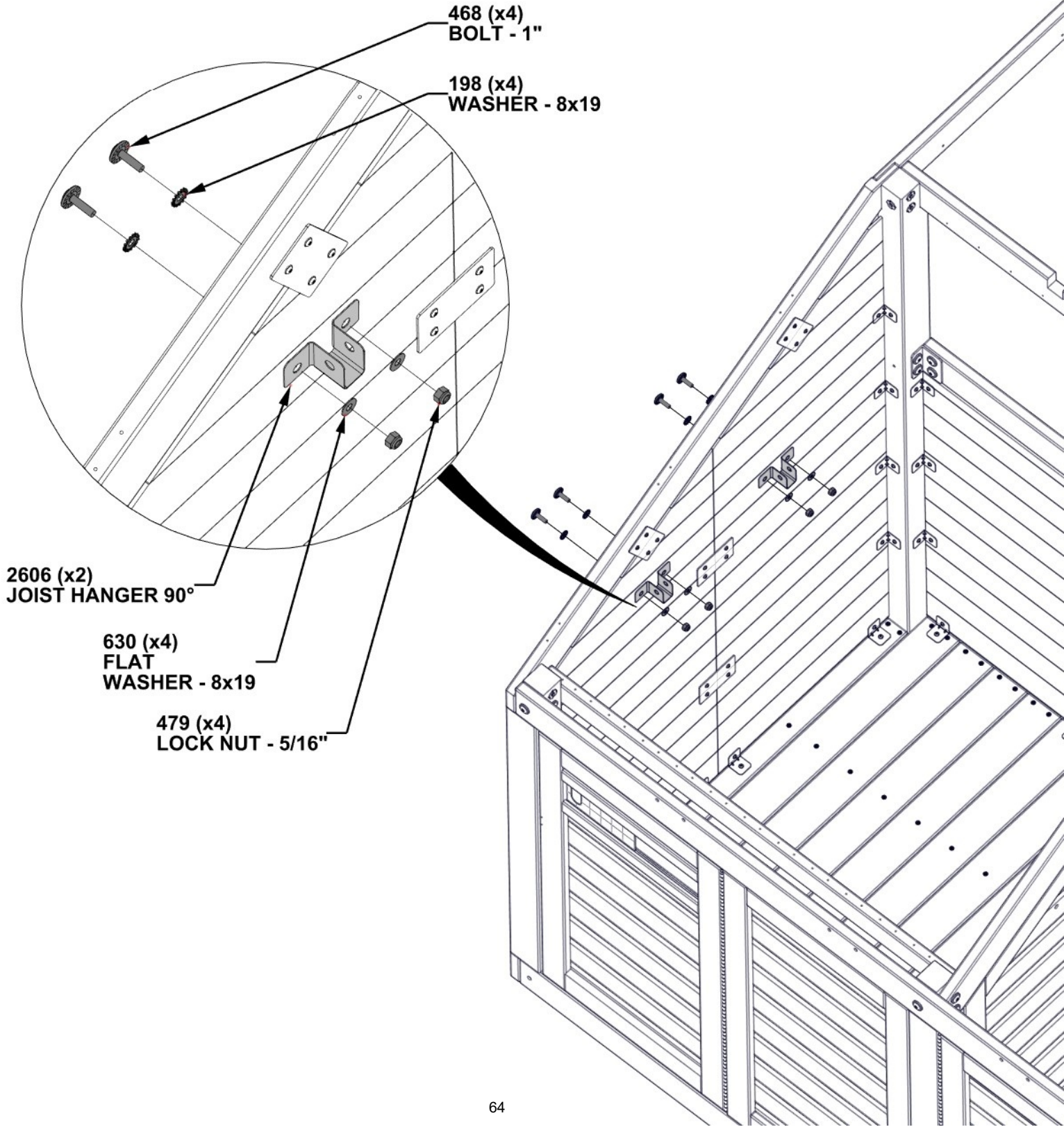
392 (x6)
SCREW - 3/4"

STEP 26 A



A4M02606 JOIST HANGER 90°
(x2)

Qty	PART NUMBER	DESCRIPTION
4	H100479	NUT LOCK 5/16 BLK
4	H100468	BOLT WH 5/16x1 BLK
4	H100198	WASHER LOCK EXT 8x19
4	H100630	WASHER FLAT 8x19 BLK



468 (x4)
BOLT - 1"

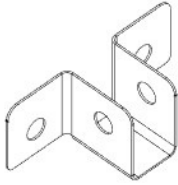
198 (x4)
WASHER - 8x19

2606 (x2)
JOIST HANGER 90°

630 (x4)
FLAT
WASHER - 8x19

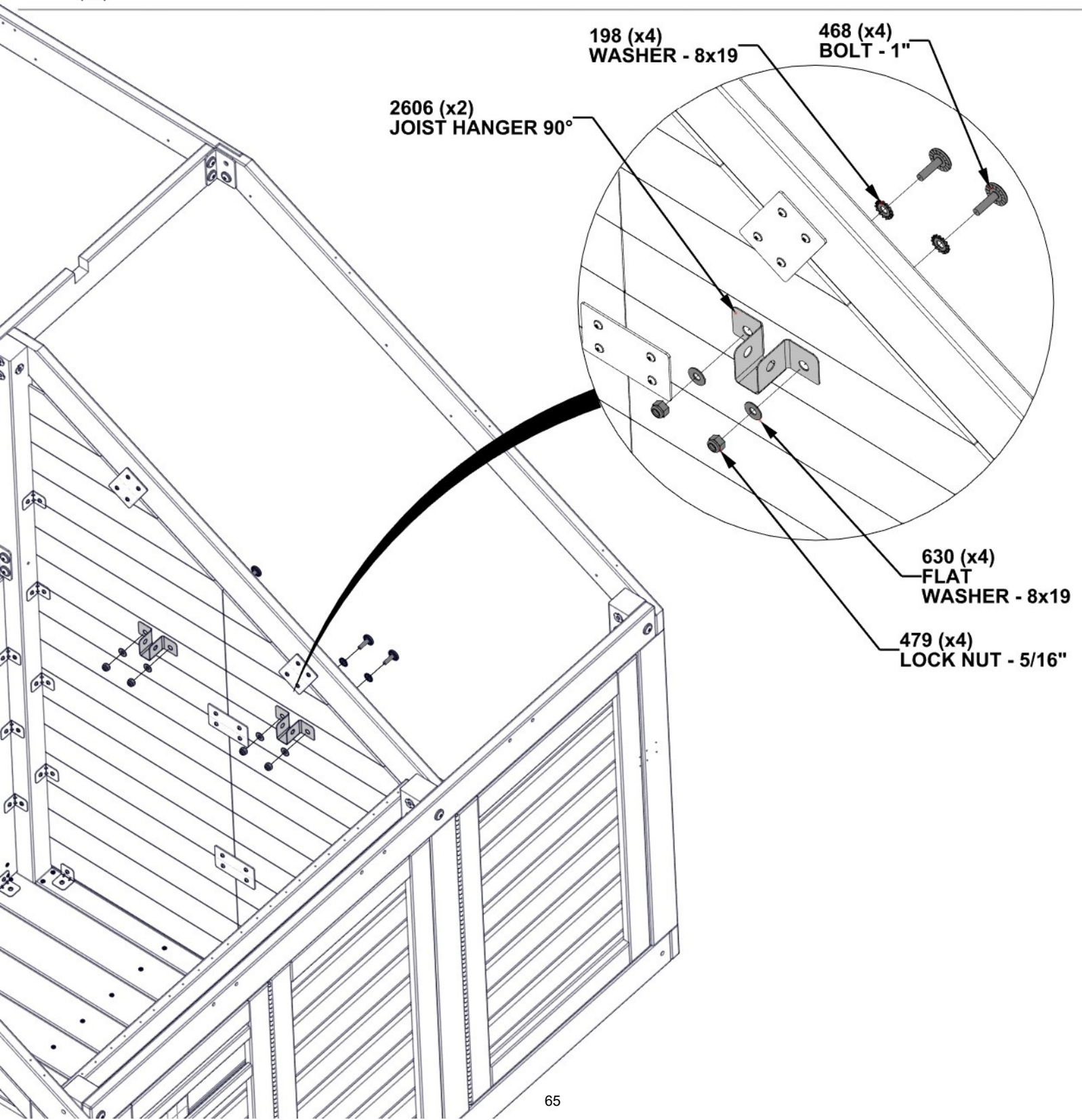
479 (x4)
LOCK NUT - 5/16"

STEP 26 B



A4M02606 JOIST HANGER 90°
(x2)

Qty	PART NUMBER	DESCRIPTION
4	H100479	NUT LOCK 5/16 BLK
4	H100468	BOLT WH 5/16x1 BLK
4	H100630	WASHER FLAT 8x19 BLK
4	H100198	WASHER LOCK EXT 8x19



STEP 27

Qty	PART NUMBER	DESCRIPTION
2	H100458	LAG SCREW WH 5/16x2 BLK
2	H100198	WASHER LOCK EXT 8x19
4	H100469	NUT BARREL WH 5/16X5/8 BLK
4	H100663	BOLT WH 5/16x3/4 BLK

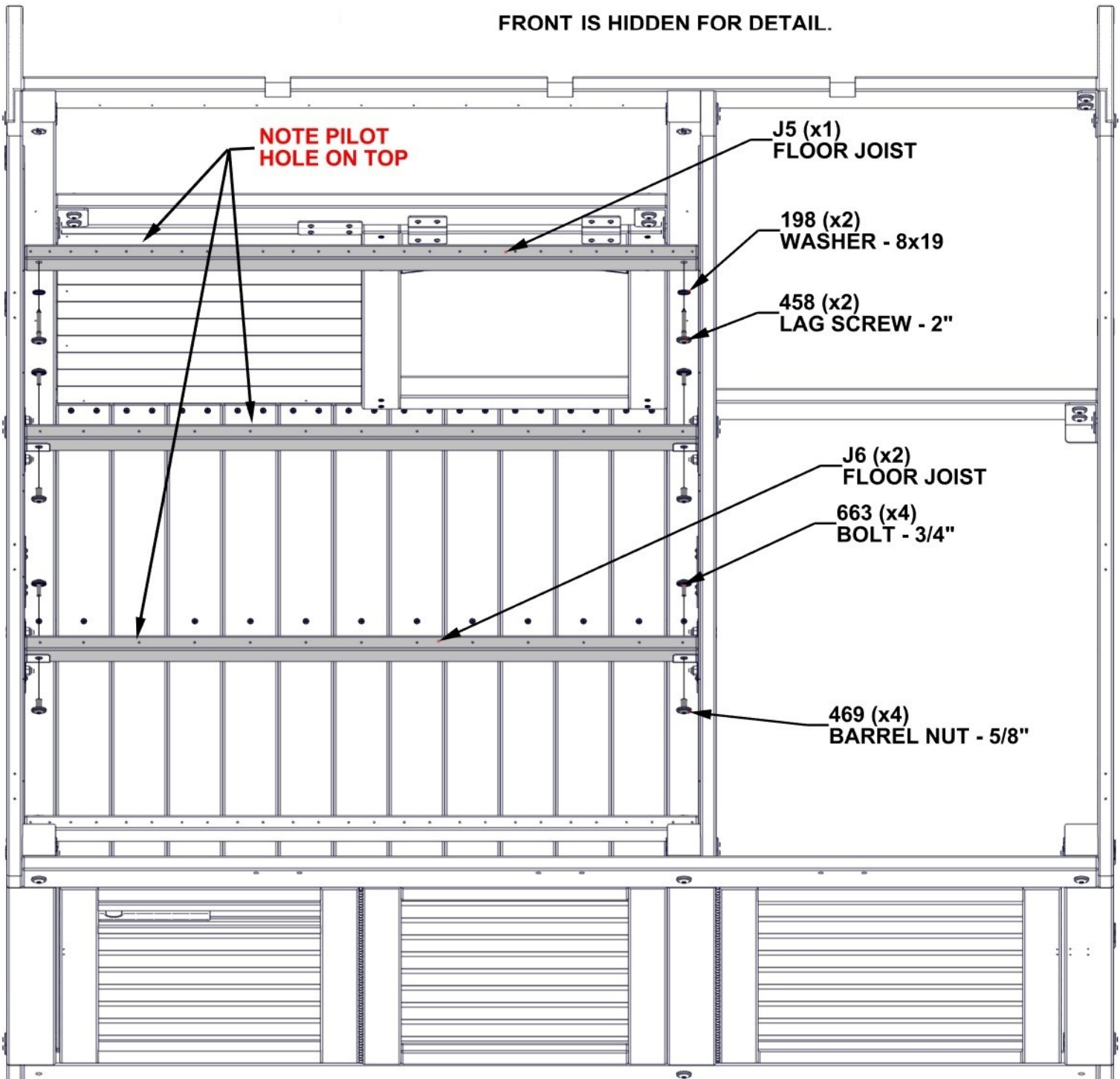


J5 FLOOR JOIST - W4L19454
(x1) 15/16"X2 3/8"X41 9/16" (24x60x1055)



J6 FLOOR JOIST - W4L19455
(x2) 15/16"X2 3/8"X41 9/16" (24x60x1055)

FRONT IS HIDDEN FOR DETAIL.



STEP 28

Qty	PART NUMBER	DESCRIPTION
74	H100387	SCREW PFH 8x1 1/4 BLK

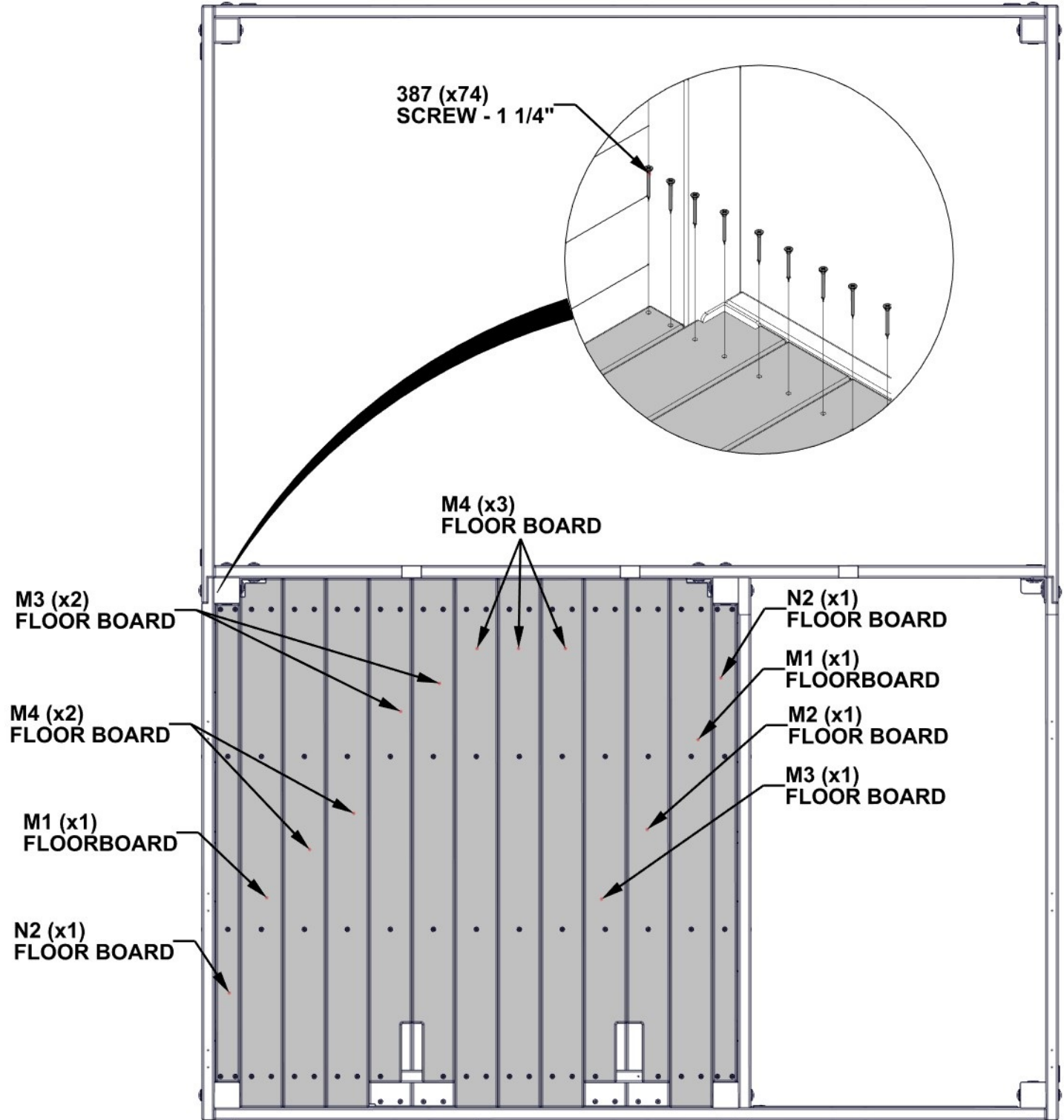
M4 FLOOR BOARD - W4L19456
 (x5) 5/8"x3 3/8"x42 3/16" (16x86x1072)

M2 FLOOR BOARD - W4L19469
 (x1) 5/8"x3 3/8"x40 3/16" (16x86x1021)

M1 FLOORBOARD - W4L19457
 (x2) 5/8"x3 3/8"x42 3/16" (16x86x1072)

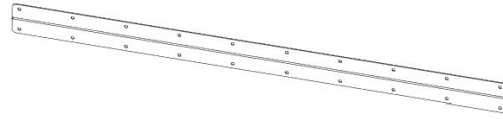
M3 FLOOR BOARD - W4L19470
 (x3) 5/8"x3 3/8"x40 3/16" (16x86x1021)

N2 FLOOR BOARD - W4L19458
 (x2) 5/8"x1 7/8"x38 1/8" (16x48x968)



STEP 29 A

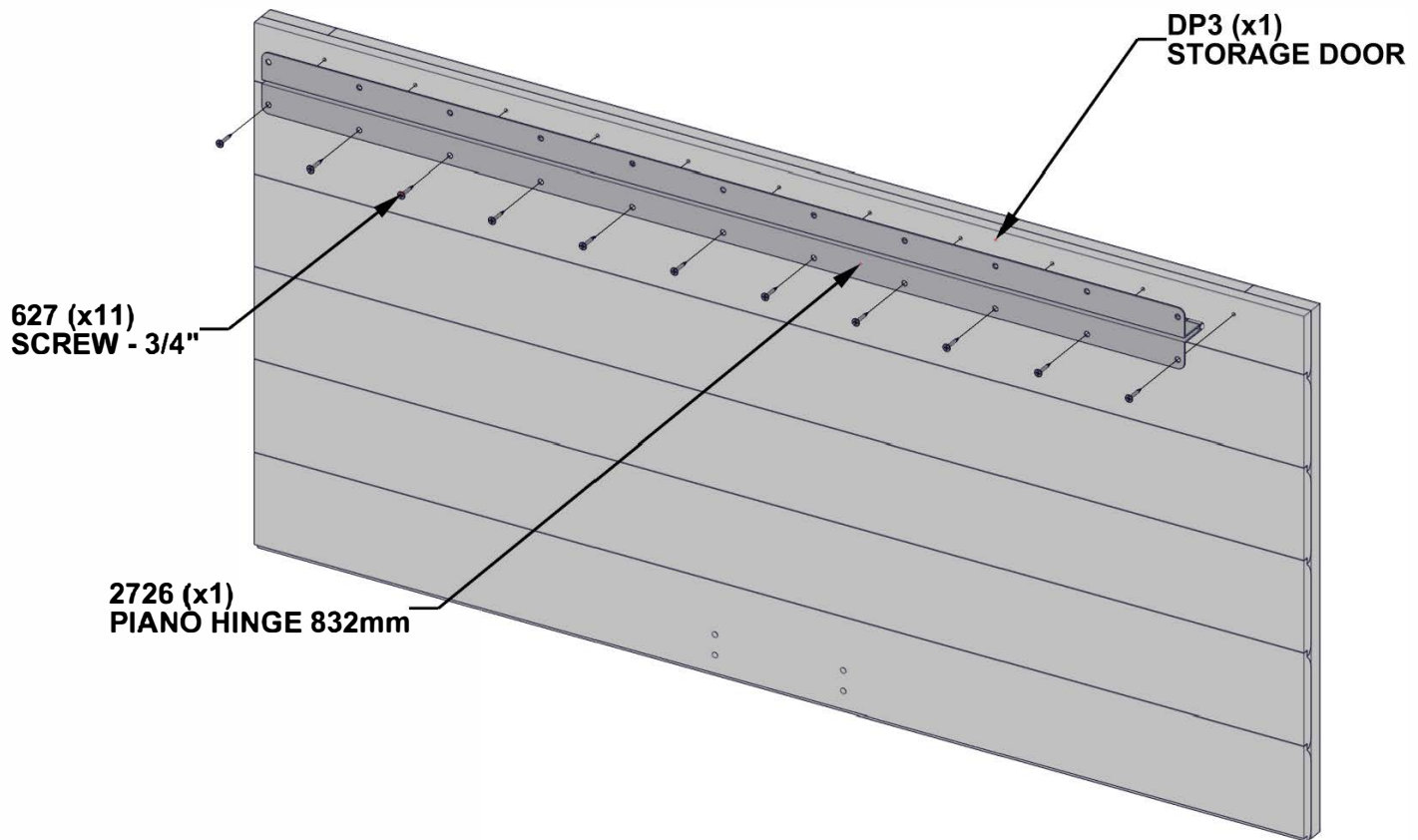
Qty	PART NUMBER	DESCRIPTION
11	H100627	SCREW PFH 6x3/4 BLK



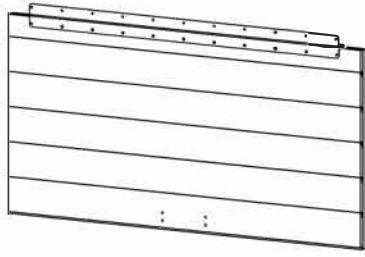
DP3 STORAGE DOOR - W2A04053
 (x1) 1 1/16"X18 1/4"X37 5/16" (27x464x947)

A4M02726 HINGE 832mm
 (x1)

- USE PILOT HOLES TO ALIGN HINGE



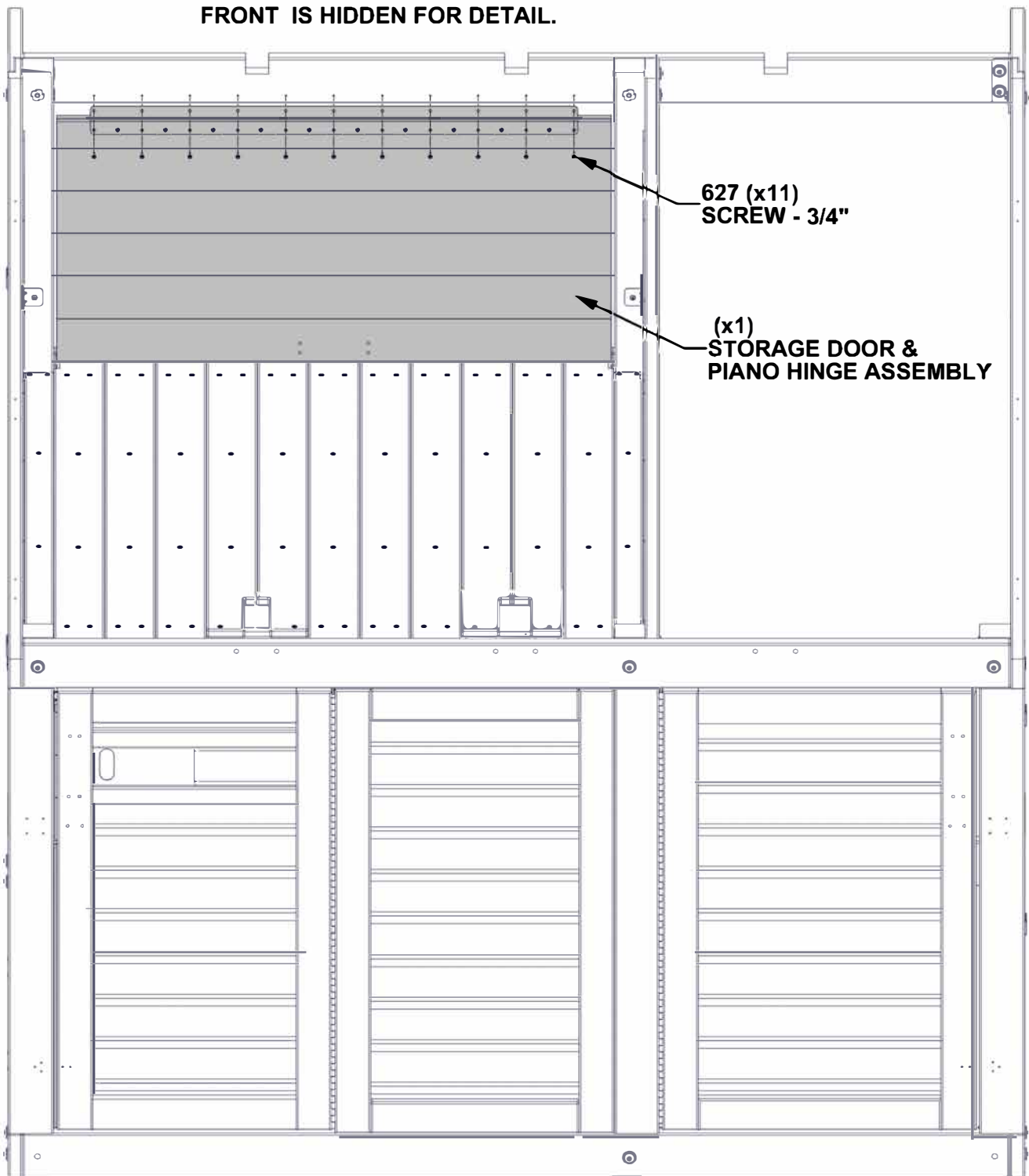
STEP 29 B



Qty	PART NUMBER	DESCRIPTION
11	H100627	SCREW PFH 6x3/4 BLK

STORAGE DOOR & PIANO HINGE ASSEMBLY
(x1) (FROM STEP 29 A)

- USE PILOT HOLES TO ALIGN SCREWS



STEP 30

Qty	PART NUMBER	DESCRIPTION
4	H100200	SCREW PFH 8x1 1/2 BLK



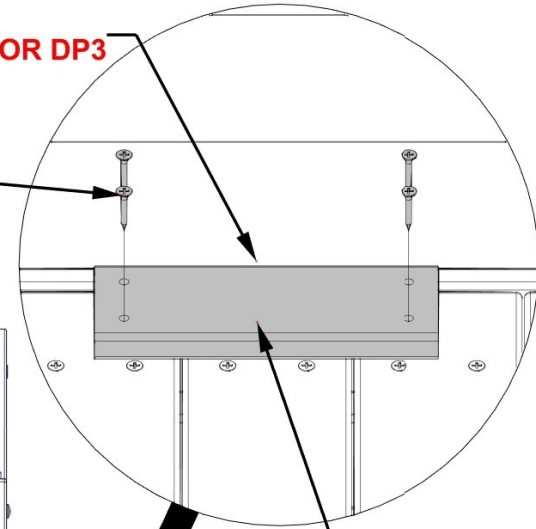
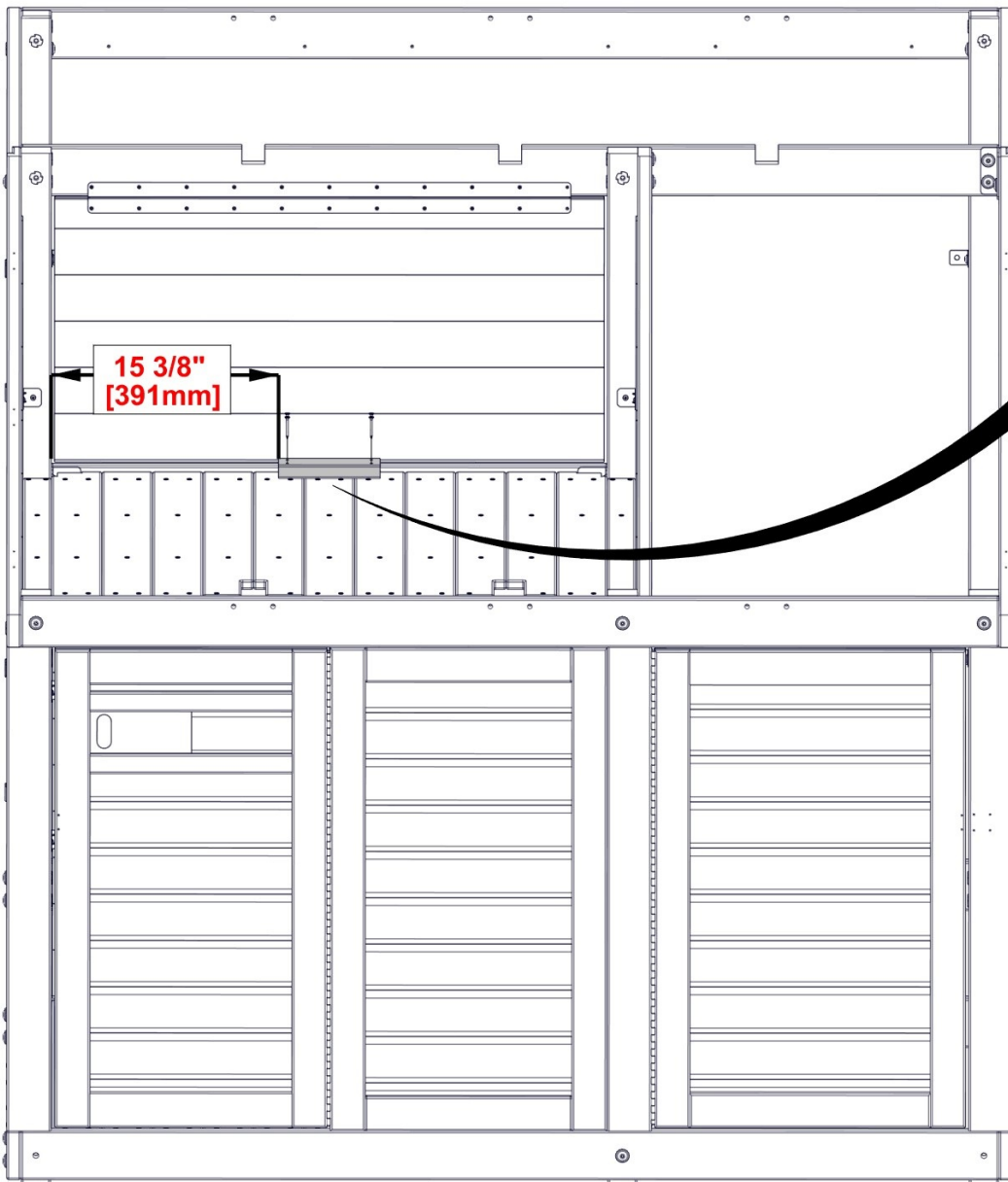
J10 CLEAT - W4L19527
 (x1) 15/16"x2 3/8"x6 7/8" (24x60x175)

- **PREDRILL 1/8" [3mm] PILOT HOLES FOR THE ATTACHMENT OF HARDWARE ON TOP FLOORING BOARDS.**

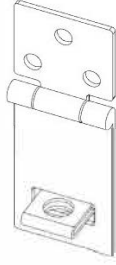
BOARD SITS FLUSH AGAINST STORAGE DOOR DP3

200 (x4) SCREW - 1 1/2"

J10 (x1) CLEAT



STEP 31



Qty	PART NUMBER	DESCRIPTION
3	H100202	SCREW PWH 8x5/8 BLK
2	H100395	SCREW PFH 8x3/4 BLK

A4M02627 SCREW ON HASP LOCK
(x1)

USE BOTTOM PART OF
HASP LOCK TO ALIGN
TOP PART OF HASP LOCK

395 (x2)
SCREW - 3/4"

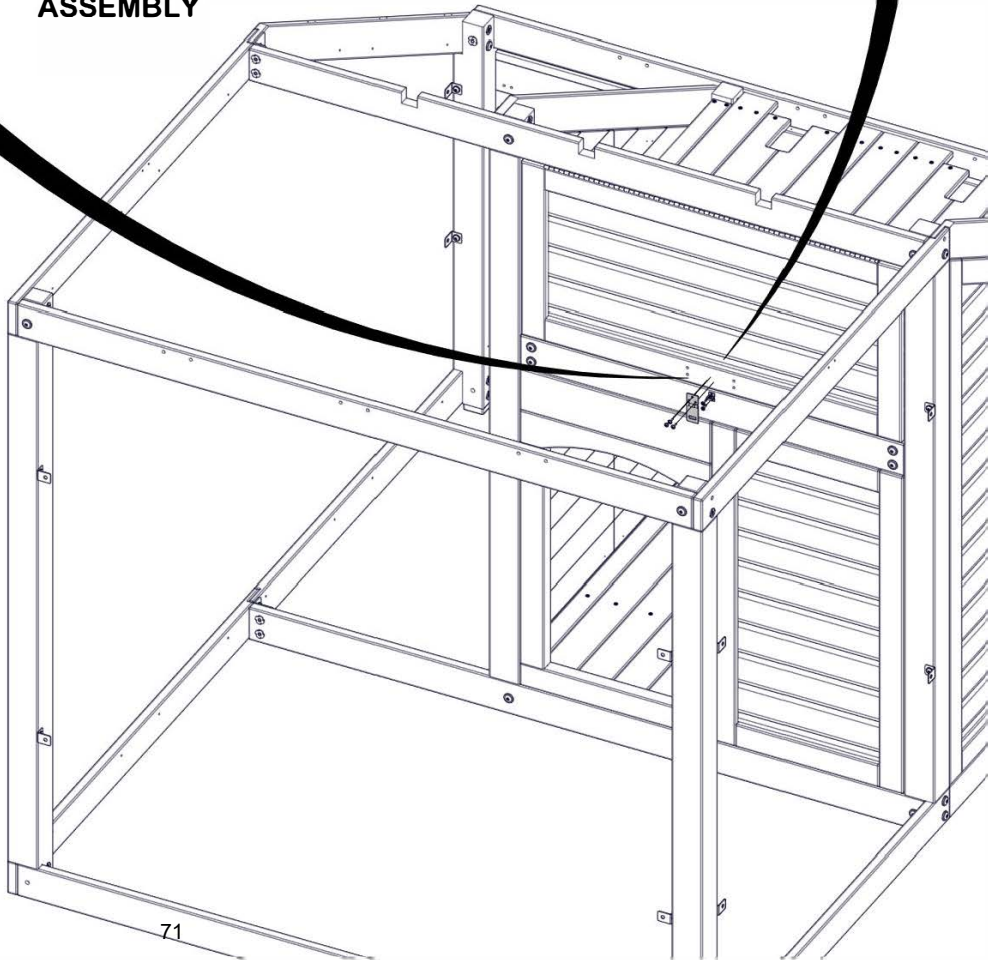
TIP INSTALL BOTTOM PART OF HASP LOCK FIRST

18 1/2"
[470mm]

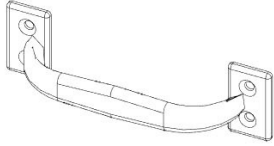
2 1/4"
[57mm]

2627 (x1)
SCREW ON
HASP LOCK
ASSEMBLY

202 (x3)
SCREW - 5/8"



STEP 32

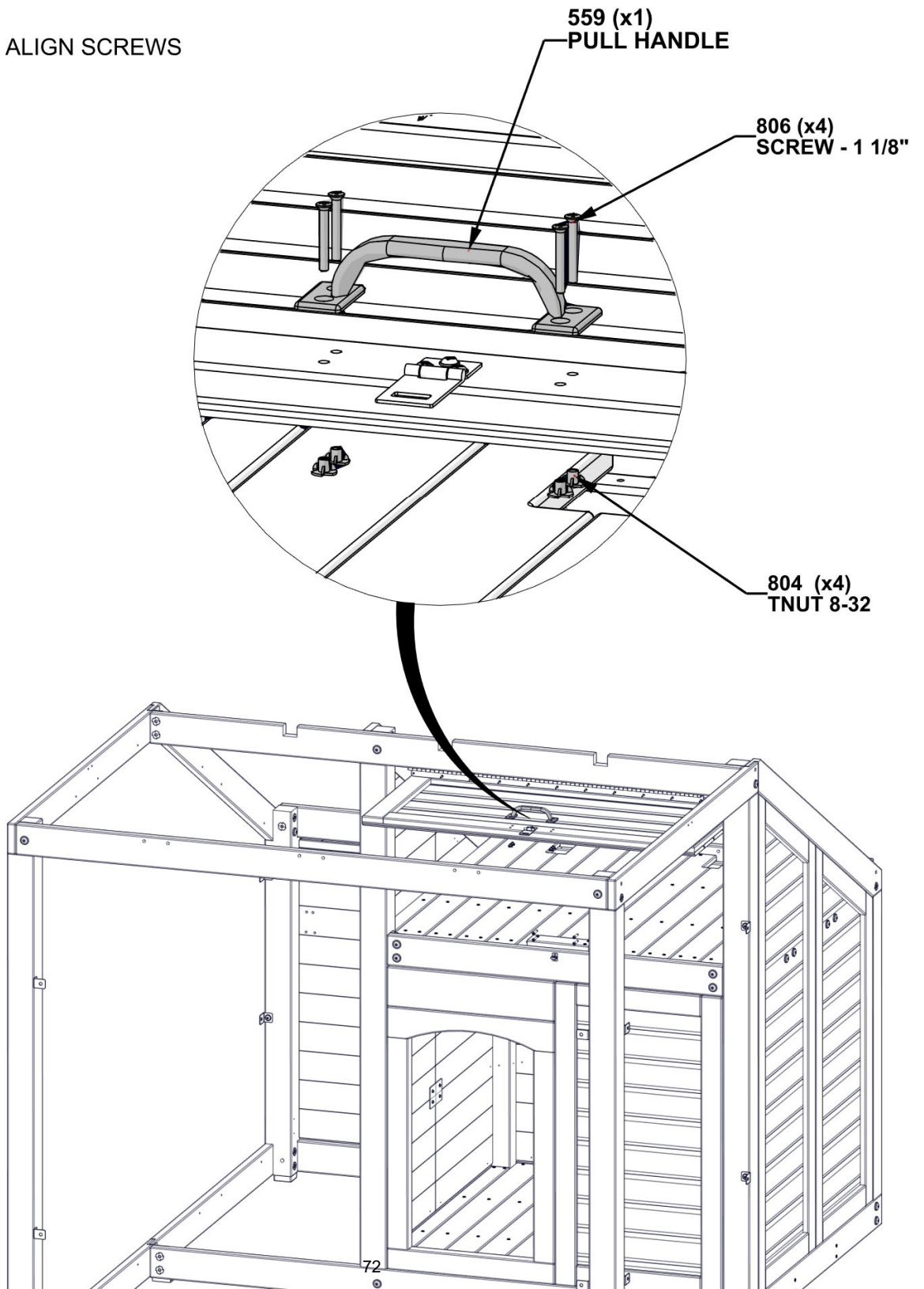


A4M00559 PULL HANDLE
(x1)

Qty	PART NUMBER	DESCRIPTION
4	H100804	T-NUT 8/32
4	H100806	SCREW POH-MS 8/32x1 1/8" BLK

- INSERT T-NUTS FIRST.

- USE PILOT HOLES TO ALIGN SCREWS



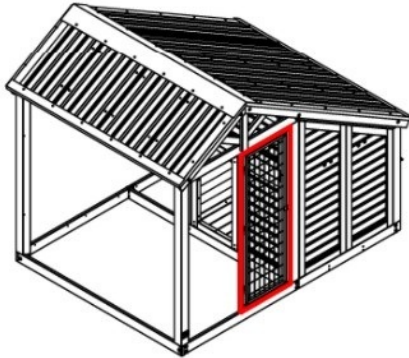
CHOOSING A LOCATION FOR THE DOORS

- BEFORE PROCEEDING INSTALLING THE WIRE PANELS, PLEASE DETERMINE THE PLACEMENT OF THE DOORS.

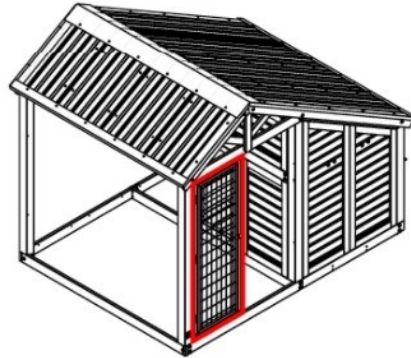
- IF YOU CHOOSE A POSITION OTHER THAN POSITION 1, YOU WILL SIMPLY SWAP THE WITH THE PANEL IN THAT POSITION.

- DO NOT OVERTIGHTEN HARDWARE ON TO AVOID DAMAGING THE PANELS.

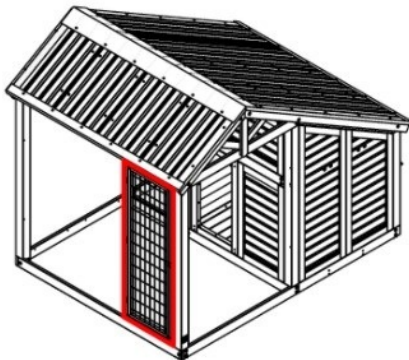
POSITION 1



POSITION 2



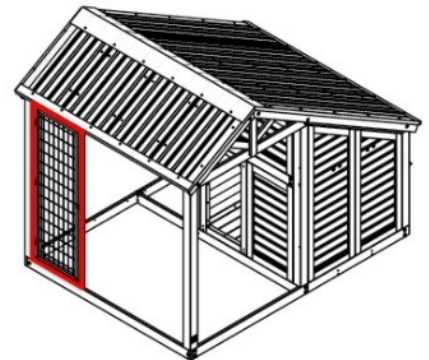
POSITION 3



POSITION 4



POSITION 5



POSITION 6



POSITION 7



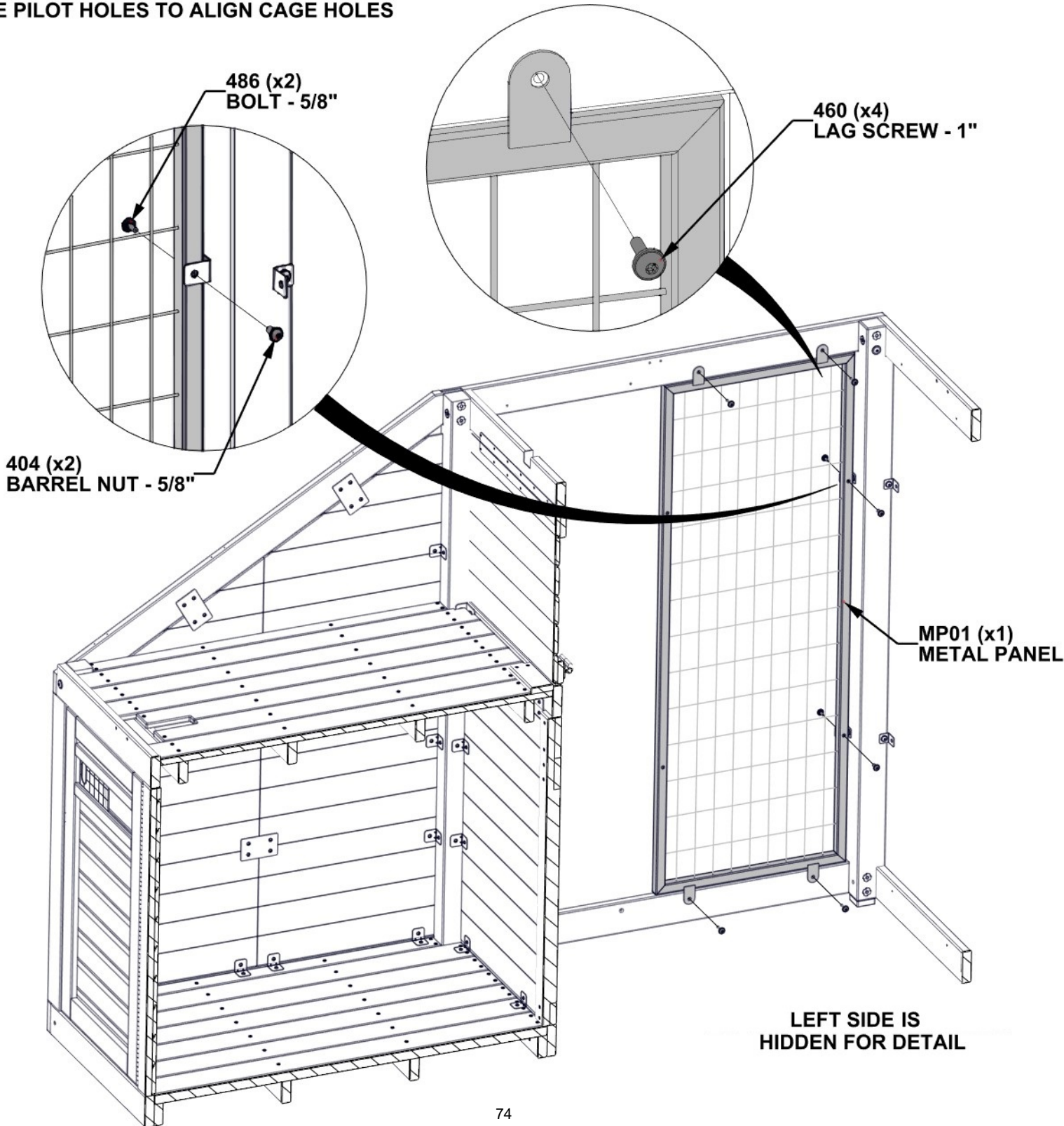
STEP 33 A - RIGHT SIDE CAGE

Qty	PART NUMBER	DESCRIPTION
2	H100404	NUT BARREL WH 1/4X5/8 BLK
2	H100486	BOLT WH 1/4x5/8 BLK
4	H100460	LAG SCREW WH 1/4x1 BLK



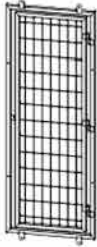
MP01 METAL PANEL - A4M02614
 (x1) 1 1/16"X20 1/2"X58 9/16" (27.4x520x1488)

- USE PILOT HOLES TO ALIGN CAGE HOLES



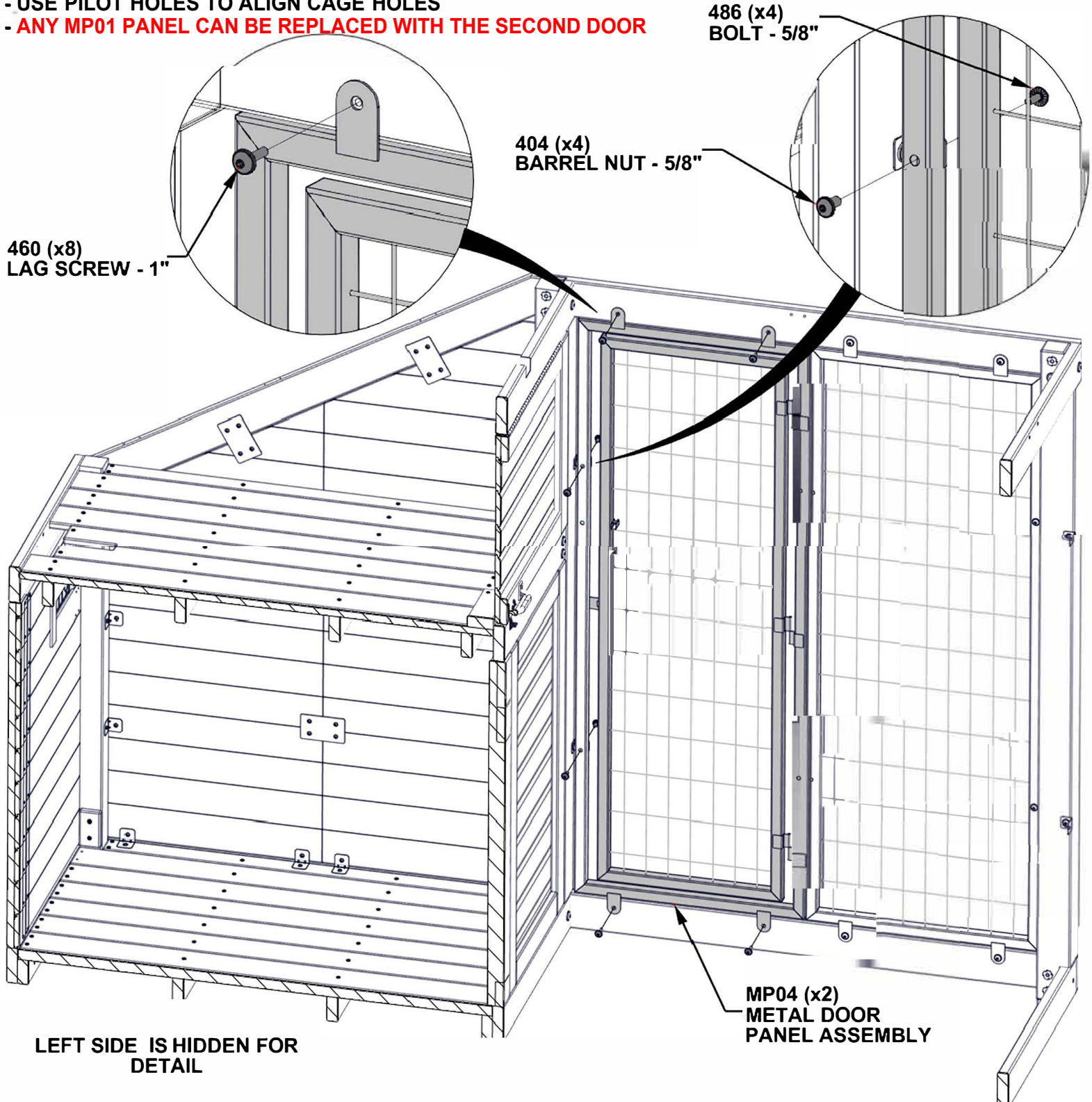
STEP 33 B - RIGHT SIDE CAGE

Qty	PART NUMBER	DESCRIPTION
4	H100404	NUT BARREL WH 1/4X5/8 BLK
4	H100486	BOLT WH 1/4x5/8 BLK
8	H100460	LAG SCREW WH 1/4x1 BLK



MP04 METAL DOOR PANEL ASSEMBLY - A4M02619
(x2) 1 1/16"X20 1/2"X58 9/16" (27x520x1488)

- USE PILOT HOLES TO ALIGN CAGE HOLES
- ANY MP01 PANEL CAN BE REPLACED WITH THE SECOND DOOR

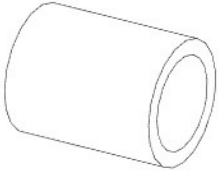


LEFT SIDE IS HIDDEN FOR
DETAIL

MP04 (x2)
METAL DOOR
PANEL ASSEMBLY

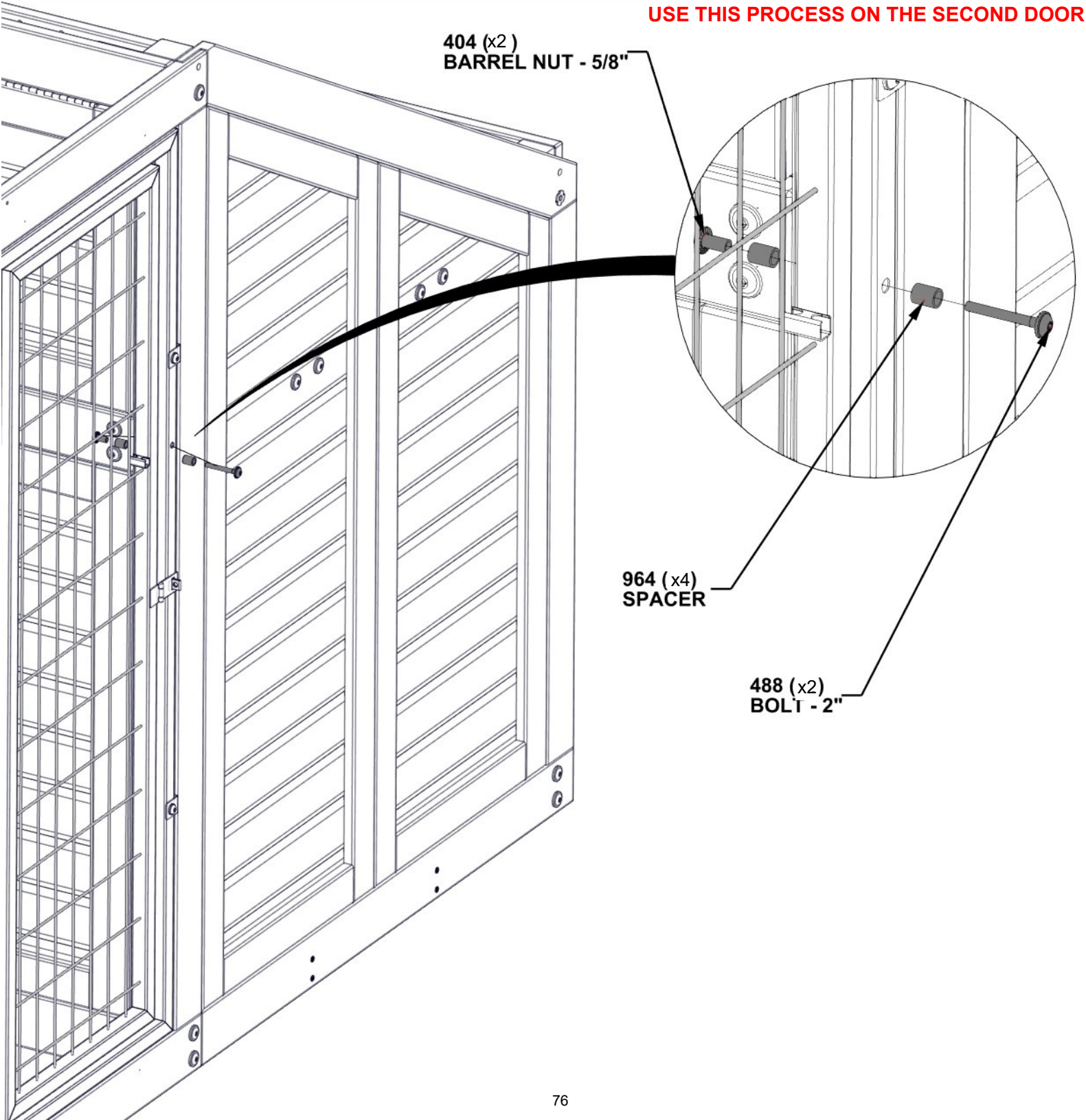
STEP 33 C - RIGHT SIDE CAGE

Qty	PART NUMBER	DESCRIPTION
2	H100404	NUT BARREL WH 1/4X5/8 BLK
2	H100488	BOLT WH 1/4x2 BLK



A6P00964 SPACER
(x4)

USE THIS PROCESS ON THE SECOND DOOR

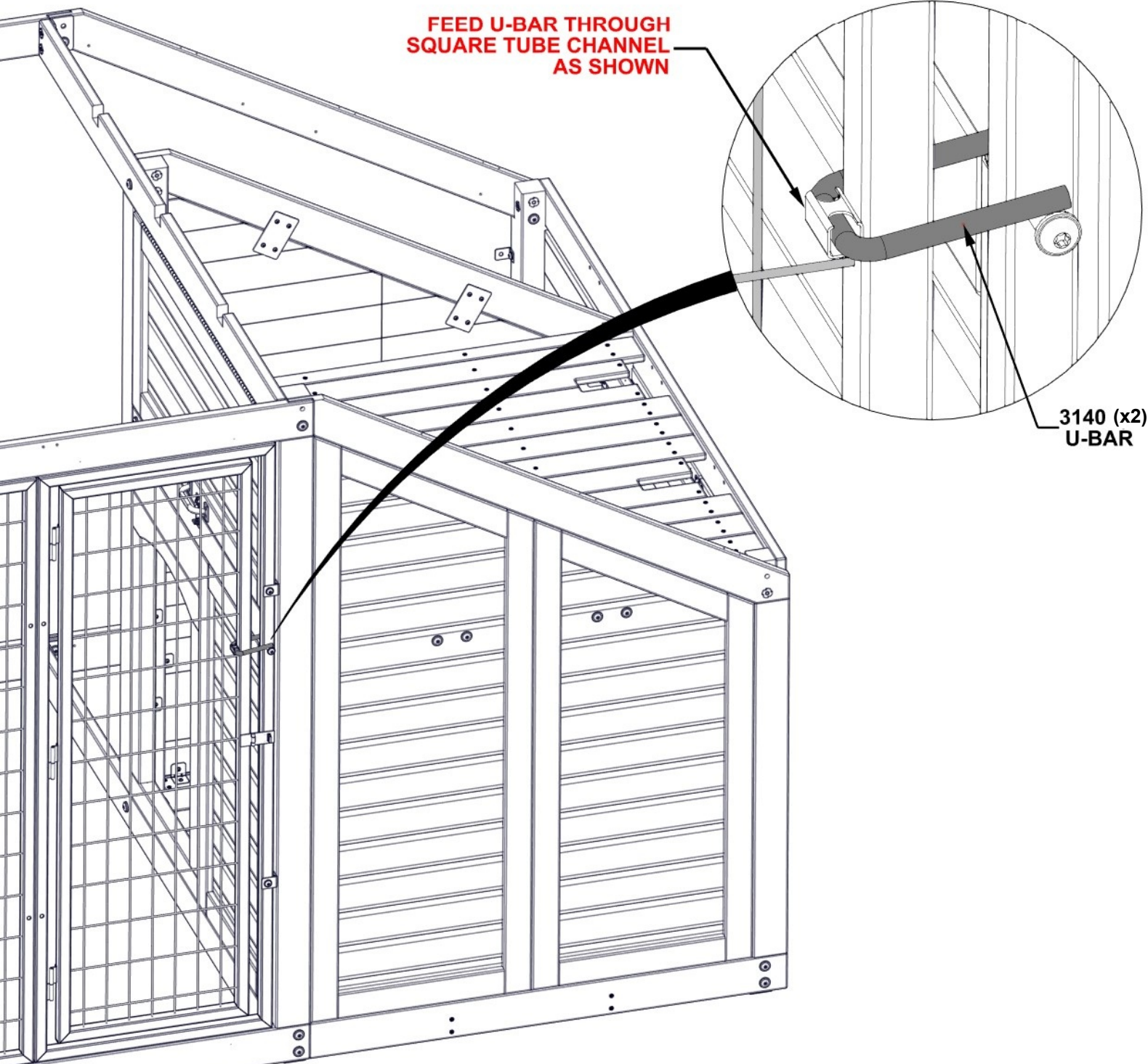


STEP 33 D - RIGHT SIDE CAGE



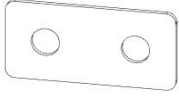
A4M03140 U-BAR
(x2)

REPEAT THIS PROCESS FOR THE SECOND DOOR.

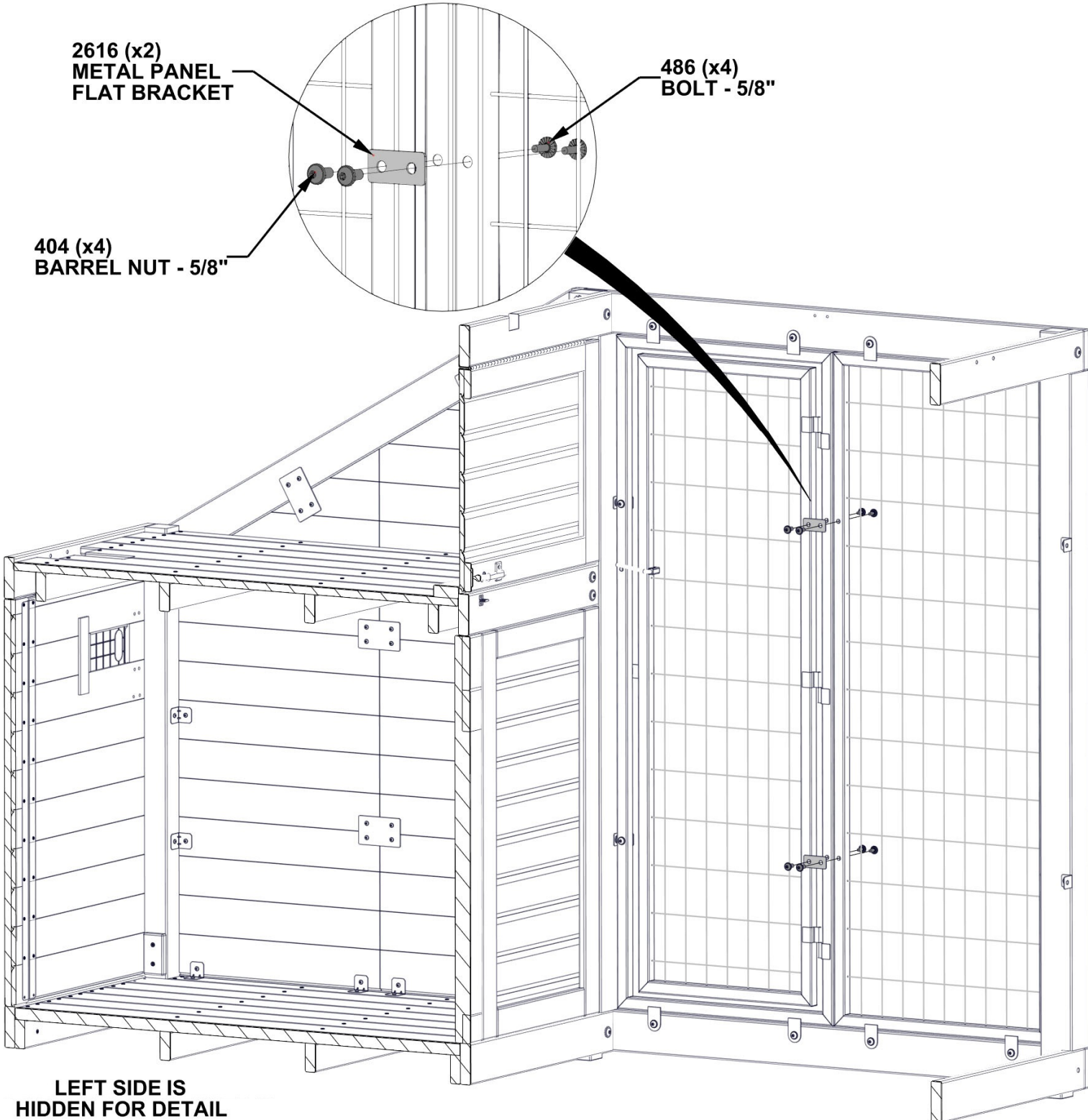


STEP 33 E - RIGHT SIDE CAGE

Qty	PART NUMBER	DESCRIPTION
4	H100404	NUT BARREL WH 1/4X5/8 BLK
4	H100486	BOLT WH 1/4x5/8 BLK



A4M02616 METAL PANEL FLAT BRACKET
(x2)



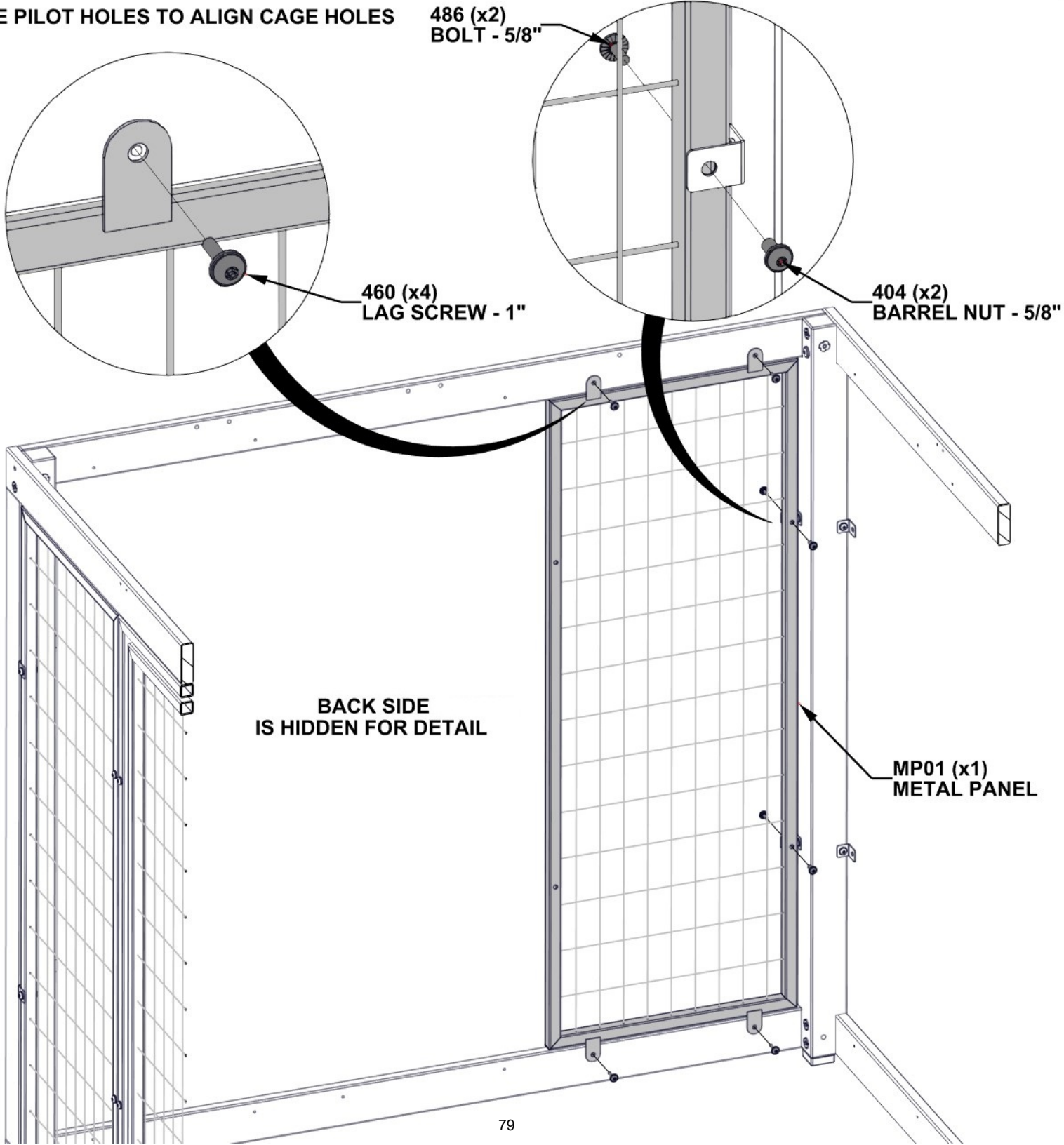
STEP 34 A - FRONT SIDE CAGE

Qty	PART NUMBER	DESCRIPTION
2	H100404	NUT BARREL WH 1/4X5/8 BLK
2	H100486	BOLT WH 1/4x5/8 BLK
4	H100460	LAG SCREW WH 1/4x1 BLK



MP01 METAL PANEL - A4M02614
 (x1) 1 1/16"X20 1/2"X58 9/16" (27.4x520x1488)

- USE PILOT HOLES TO ALIGN CAGE HOLES



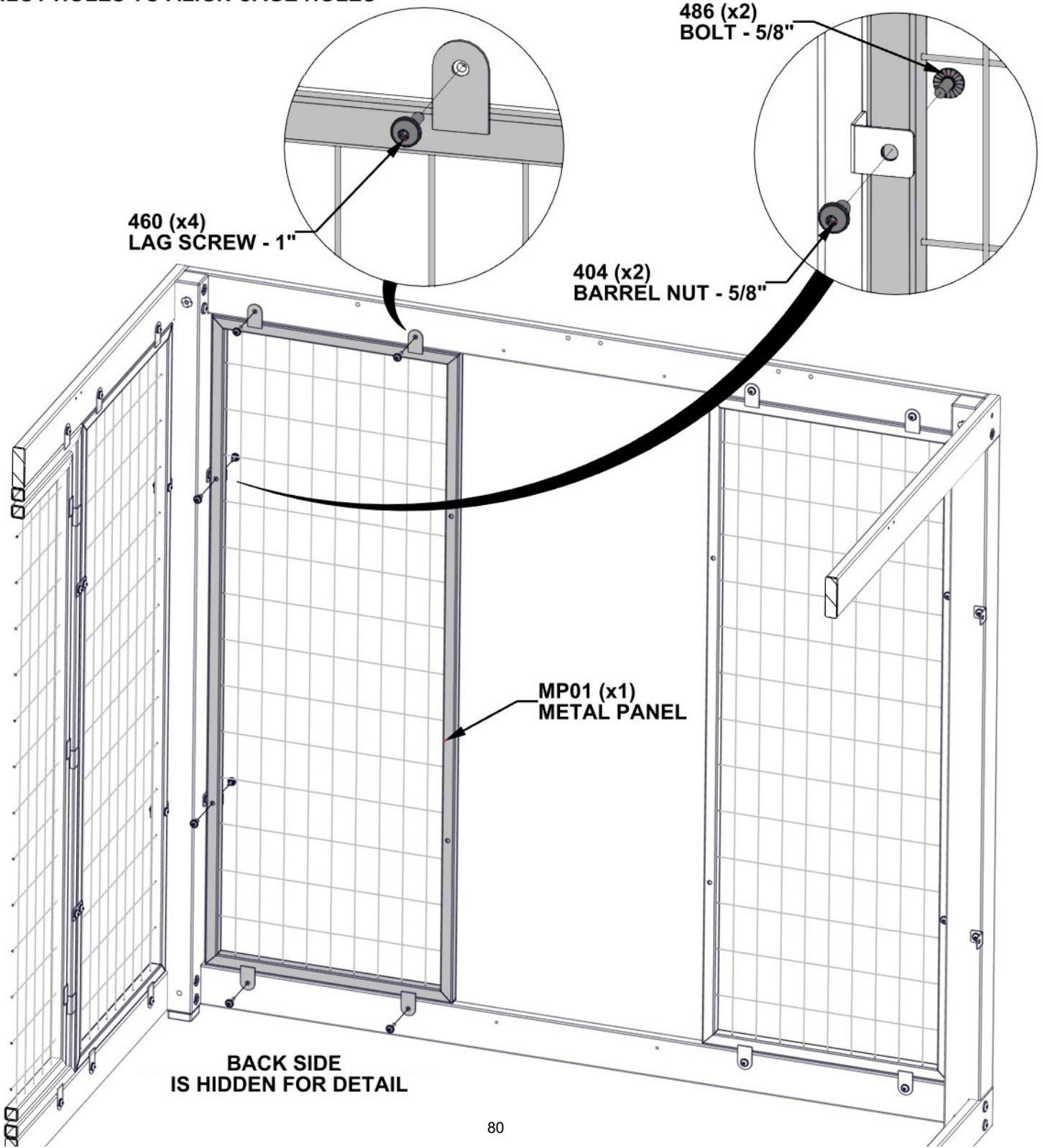
STEP 34 B - FRONT SIDE CAGE

Qty	PART NUMBER	DESCRIPTION
2	H100404	NUT BARREL WH 1/4X5/8 BLK
2	H100486	BOLT WH 1/4X5/8 BLK
4	H100460	LAG SCREW WH 1/4X1 BLK



MP01 METAL PANEL - A4M02614
 (x1) 1 1/16"X20 1/2"X58 9/16" (27.4x520x1488)

- USE PILOT HOLES TO ALIGN CAGE HOLES



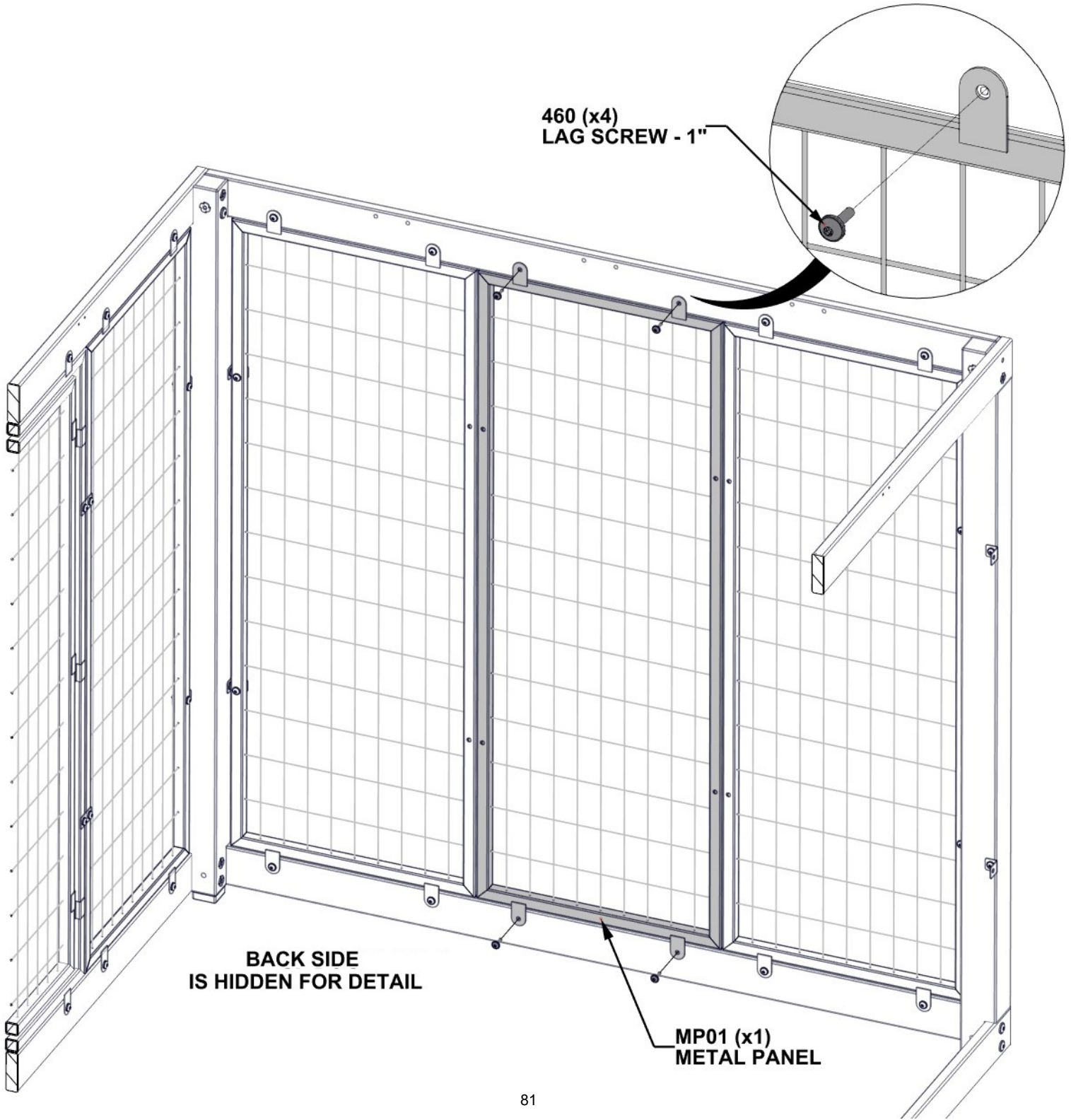
STEP 34 C - FRONT SIDE CAGE



Qty	PART NUMBER	DESCRIPTION
4	H100460	LAG SCREW WH 1/4x1 BLK

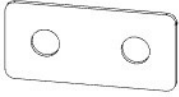
MP01 METAL PANEL - A4M02614
(x1) 1 1/16"X20 1/2"X58 9/16" (27.4x520x1488)

- USE PILOT HOLES TO ALIGN CAGE HOLES

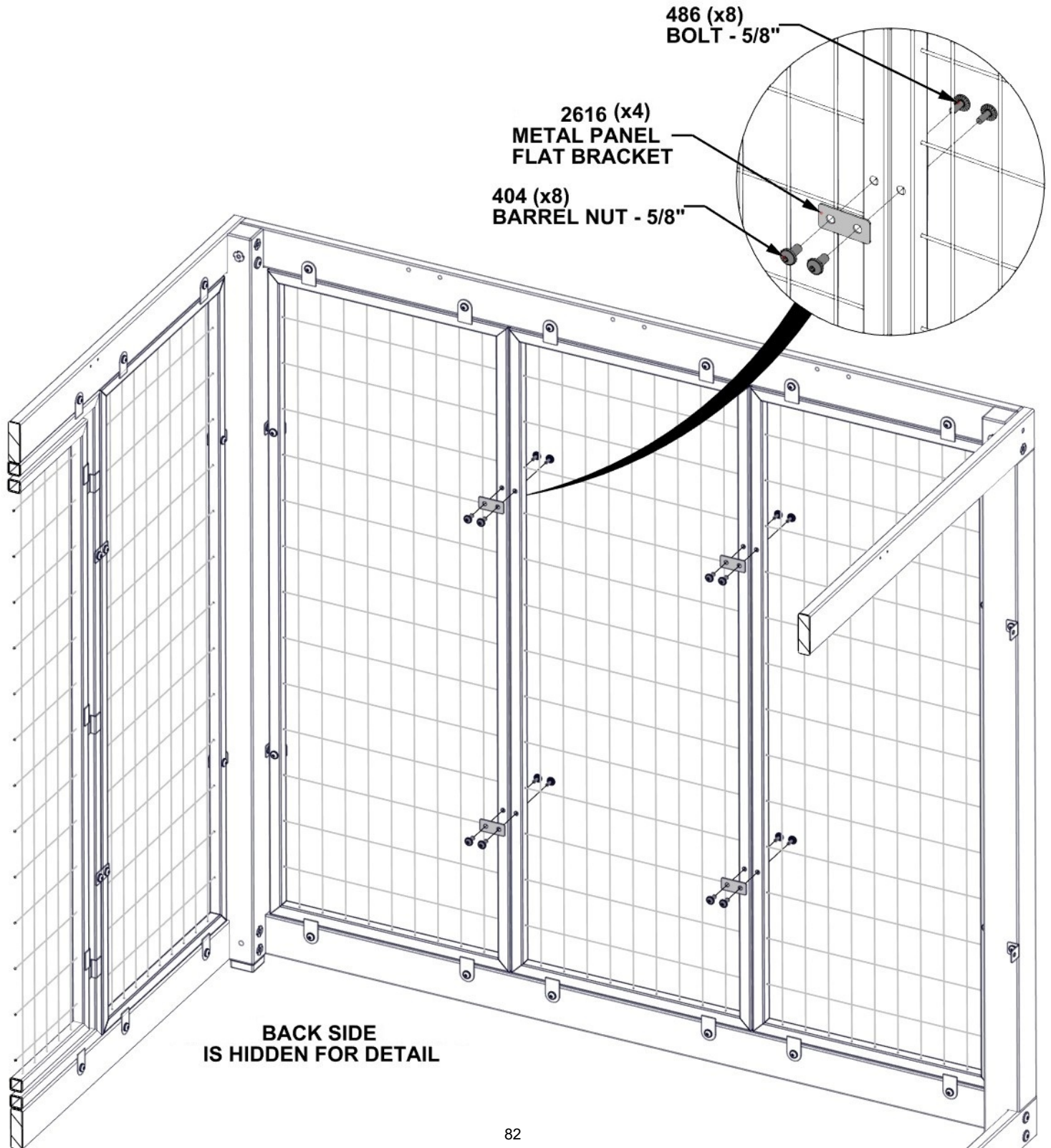


STEP 34 D - FRONT SIDE CAGE

Qty	PART NUMBER	DESCRIPTION
8	H100404	NUT BARREL WH 1/4X5/8 BLK
8	H100486	BOLT WH 1/4x5/8 BLK

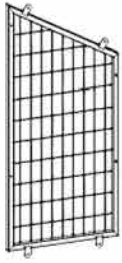


A4M02616 METAL PANEL FLAT BRACKET
(x4)



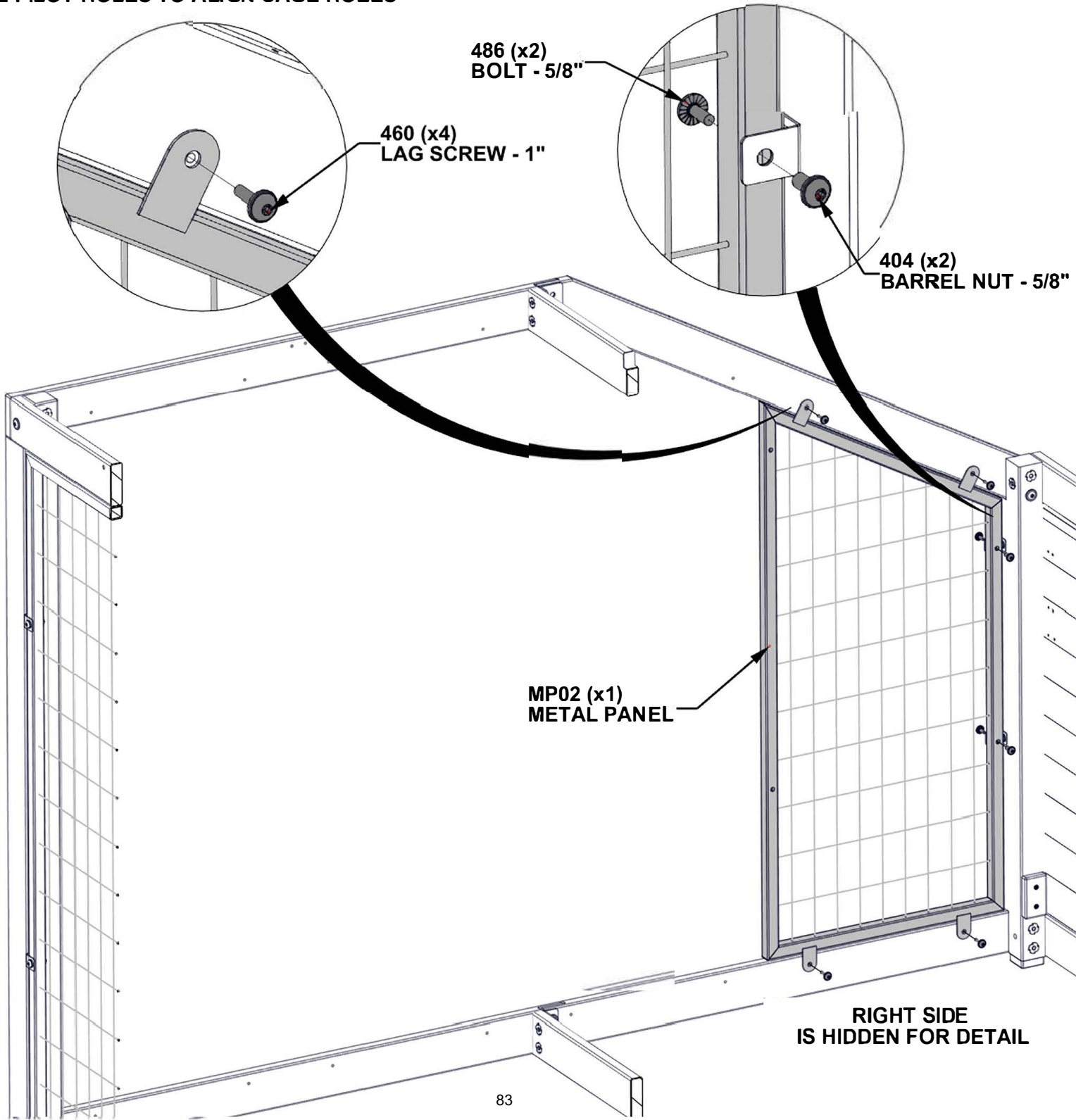
STEP 35 A - LEFT SIDE CAGE

Qty	PART NUMBER	DESCRIPTION
2	H100404	NUT BARREL WH 1/4X5/8 BLK
2	H100486	BOLT WH 1/4x5/8 BLK
4	H100460	LAG SCREW WH 1/4x1 BLK



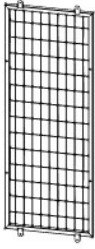
MP02 METAL PANEL - A4M02618
 (x1) 1 1/16"X20 1/2"X46 15/16" (27x520x1192)

- USE PILOT HOLES TO ALIGN CAGE HOLES



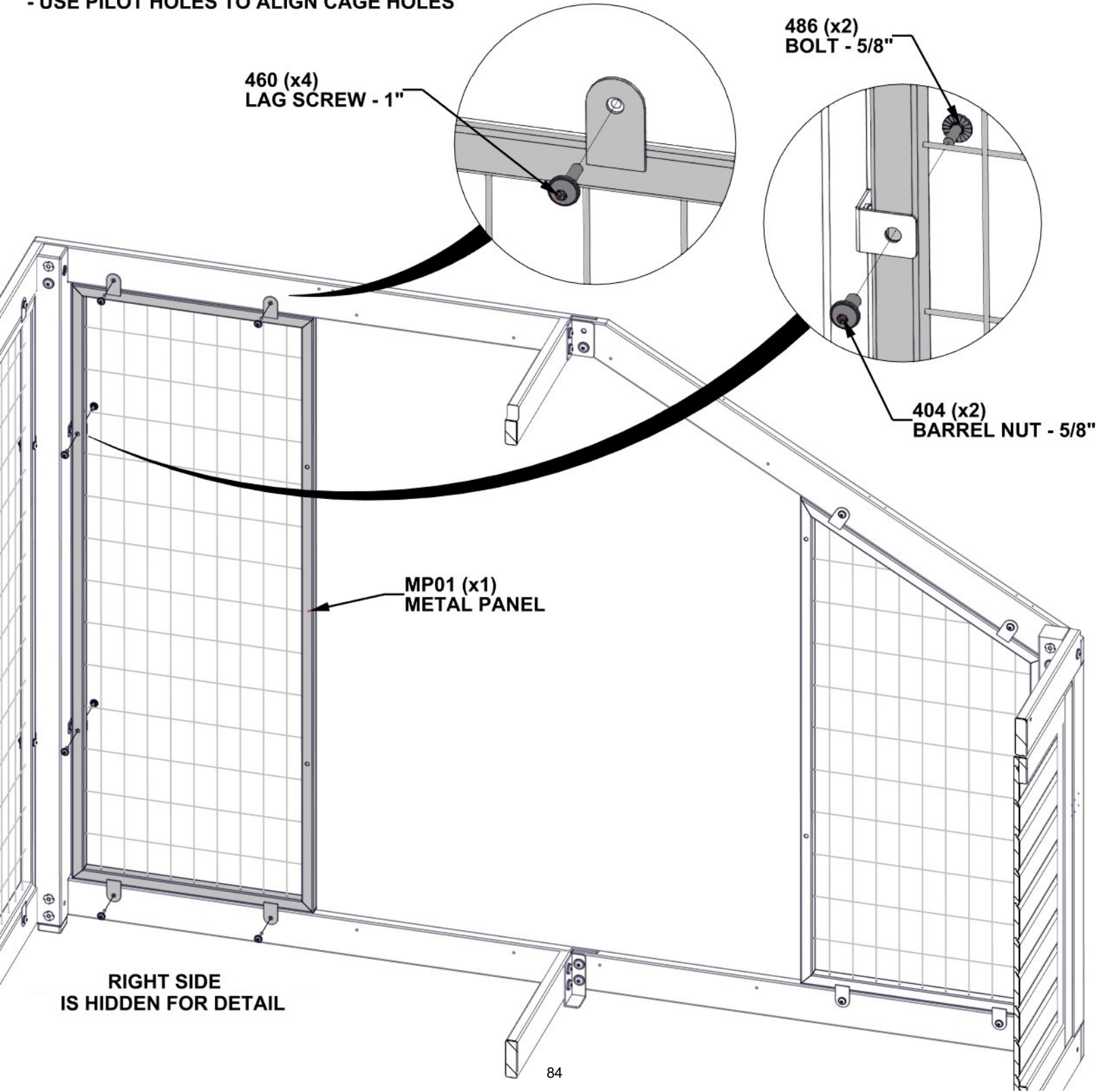
STEP 35 B - LEFT SIDE CAGE

Qty	PART NUMBER	DESCRIPTION
2	H100404	NUT BARREL WH 1/4X5/8 BLK
2	H100486	BOLT WH 1/4x5/8 BLK
4	H100460	LAG SCREW WH 1/4x1 BLK



MP01 METAL PANEL - A4M02614
 (x1) 1 1/16"X20 1/2"X58 9/16" (27.4x520x1488)

- USE PILOT HOLES TO ALIGN CAGE HOLES



460 (x4)
LAG SCREW - 1"

486 (x2)
BOLT - 5/8"

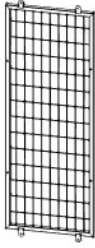
404 (x2)
BARREL NUT - 5/8"

MP01 (x1)
METAL PANEL

RIGHT SIDE
IS HIDDEN FOR DETAIL

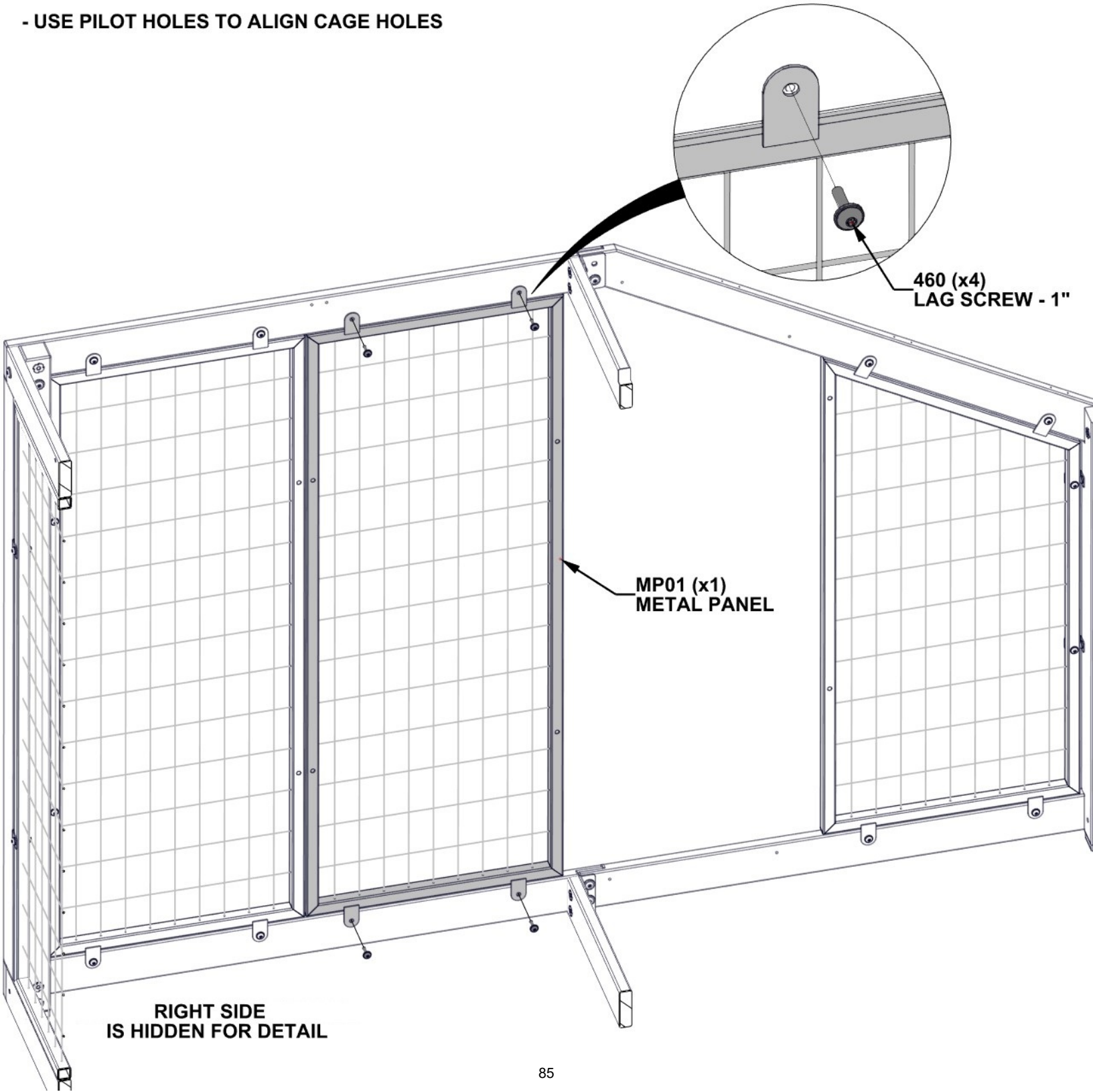
STEP 35 C - LEFT SIDE CAGE

Qty	PART NUMBER	DESCRIPTION
4	H100460	LAG SCREW WH 1/4x1 BLK



MP01 METAL PANEL - A4M02614
(x1) 1 1/16"X20 1/2"X58 9/16" (27.4x520x1488)

- USE PILOT HOLES TO ALIGN CAGE HOLES



RIGHT SIDE
IS HIDDEN FOR DETAIL

STEP 35 D - LEFT SIDE CAGE

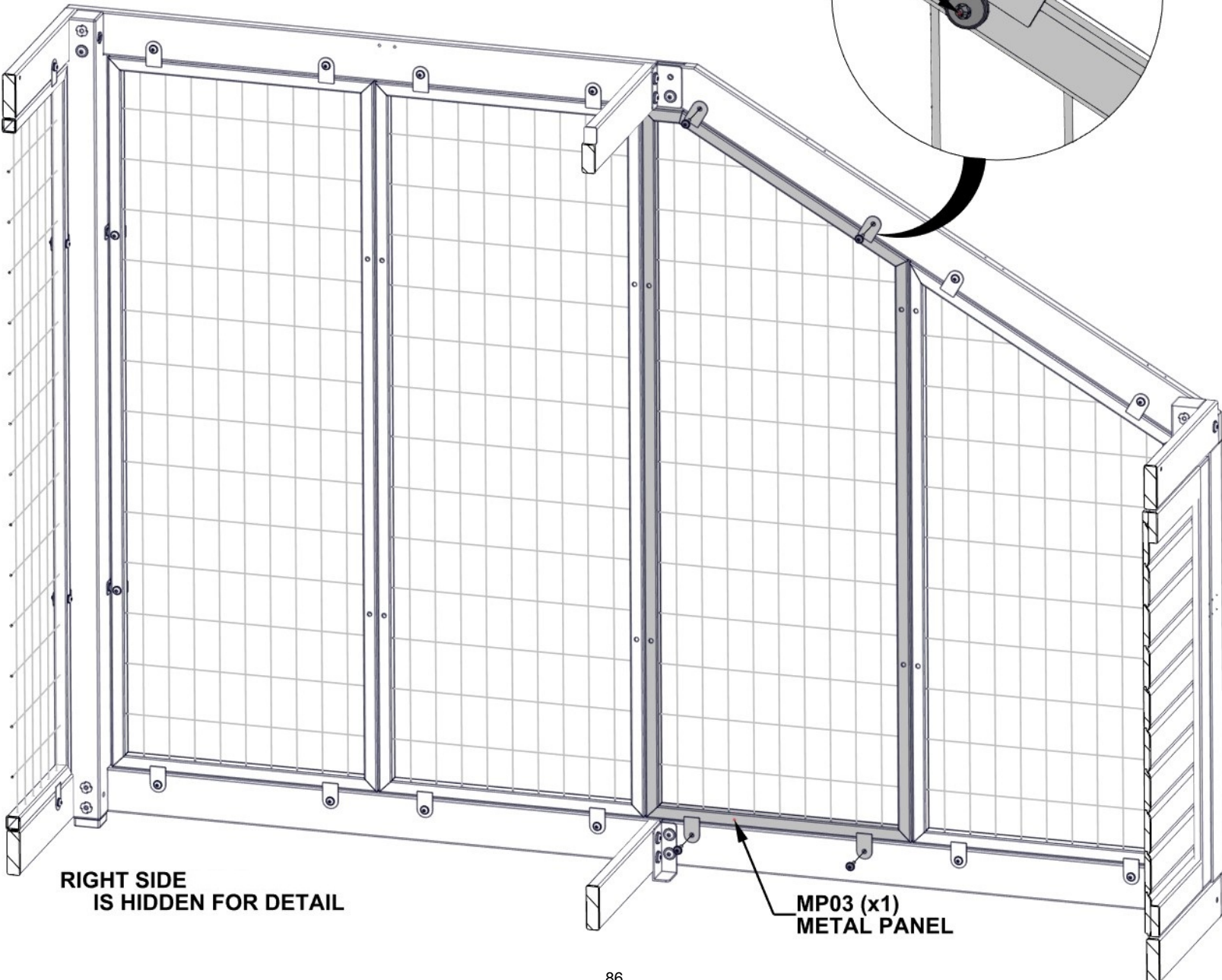
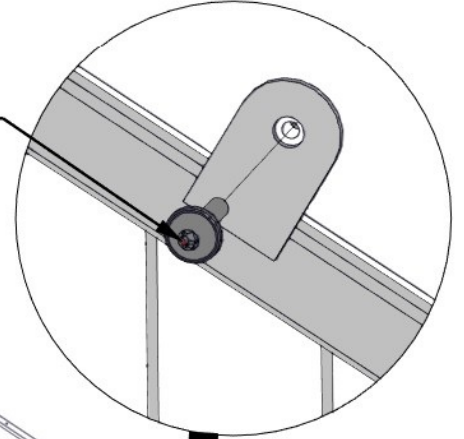


Qty	PART NUMBER	DESCRIPTION
4	H100460	LAG SCREW WH 1/4x1 BLK

MP03 METAL PANEL - A4M02617
(x1) 1 1/16"X20 1/2"X57 15/16" (27.4x520x1472)

- USE PILOT HOLES TO ALIGN CAGE HOLES

460 (x4)
LAG SCREW - 1"

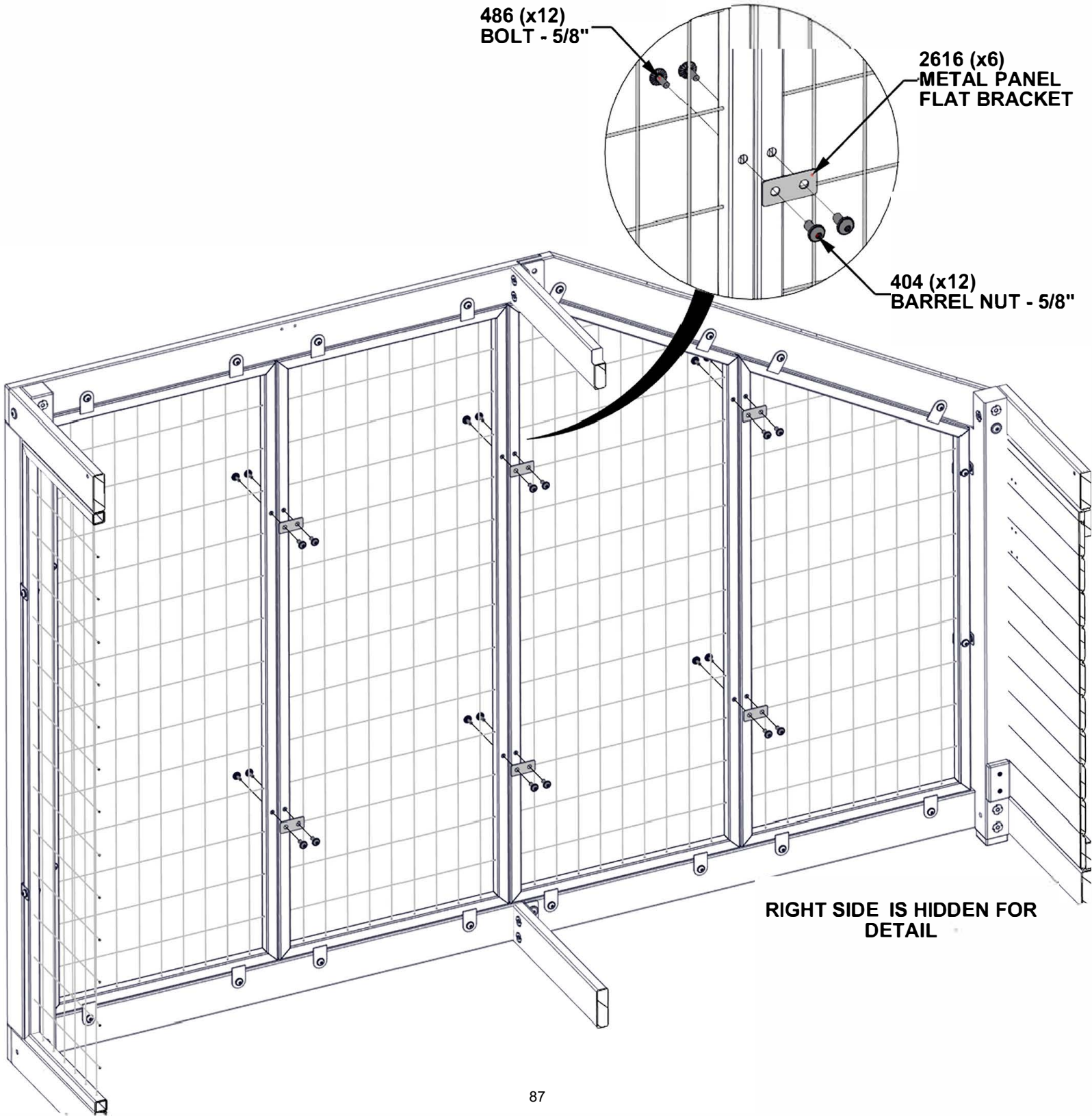


STEP 35 E - LEFT SIDE CAGE

Qty	PART NUMBER	DESCRIPTION
12	H100404	NUT BARREL WH 1/4X5/8 BLK
12	H100486	BOLT WH 1/4X5/8 BLK



A4M02616 METAL PANEL FLAT BRACKET
(x6)

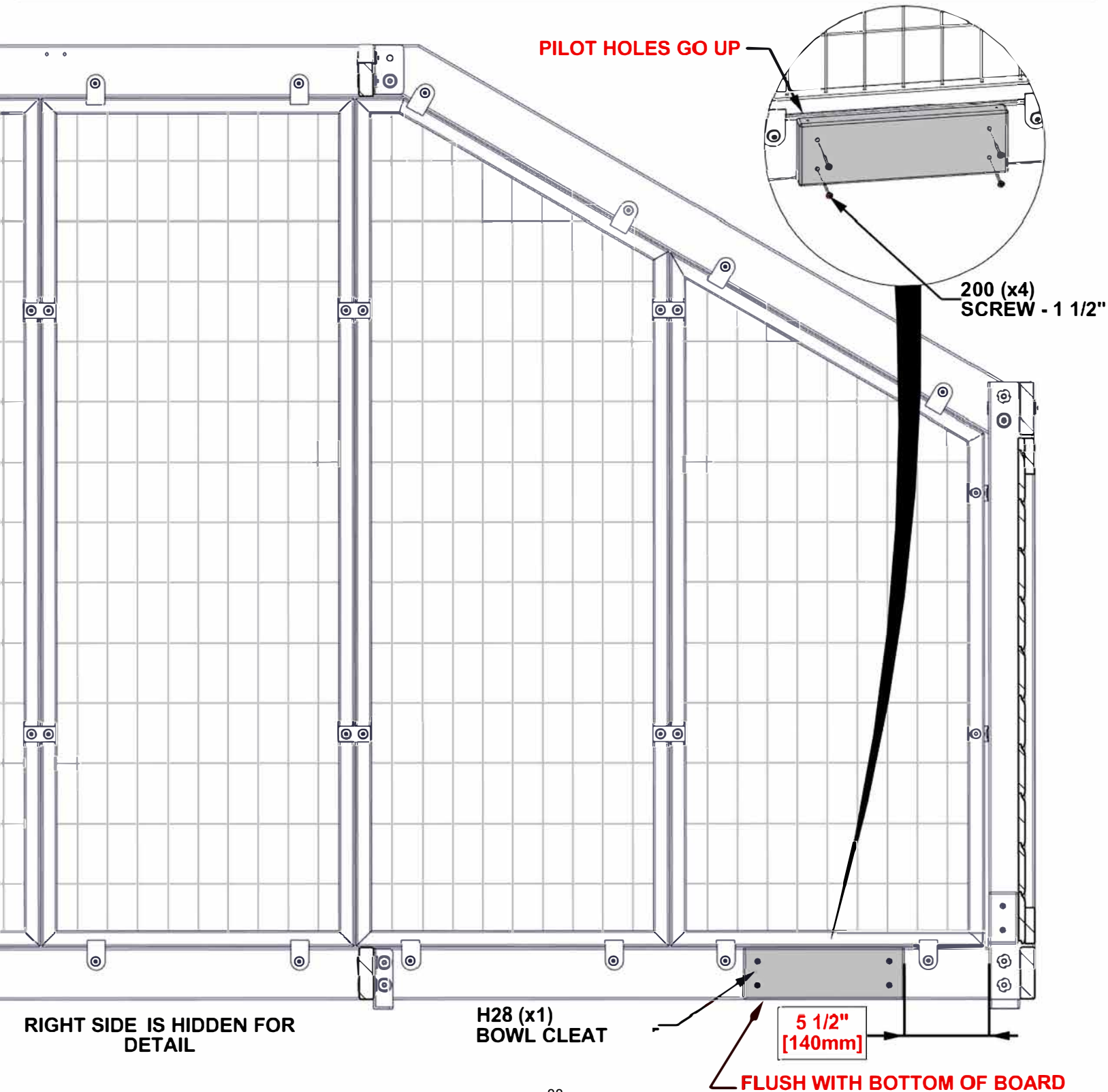


STEP 36 A - DOG KENNEL ASSEMBLY

Qty	PART NUMBER	DESCRIPTION
4	H100200	SCREW PFH 8x1 1/2 BLK



H28 BOWL CLEAT - W4L19525
 (x1) 15/16"x3 3/8"x10 9/16" (24x86x268)

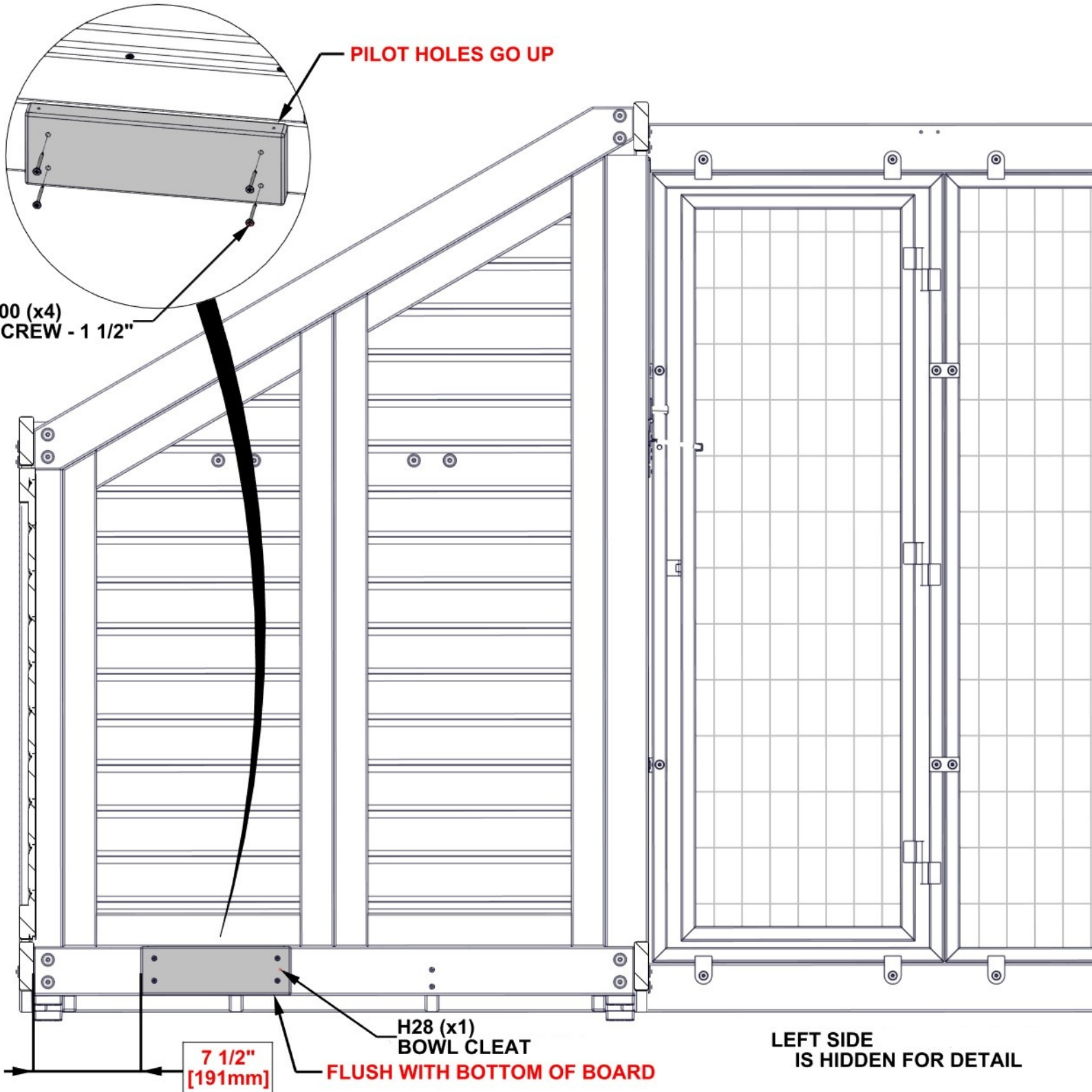


STEP 36 B - DOG KENNEL ASSEMBLY

Qty	PART NUMBER	DESCRIPTION
4	H100200	SCREW PFH 8x1 1/2 BLK

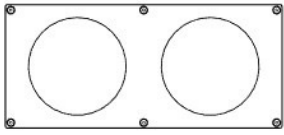


H28 BOWL CLEAT - W4L19525
 (x1) 15/16"x3 3/8"x10 9/16" (24x86x268)



STEP 36 C - BOWL FRAME ASSEMBLY

Qty	PART NUMBER	DESCRIPTION
2	H100823	SCREW PWH 8x1 1/2 BLK

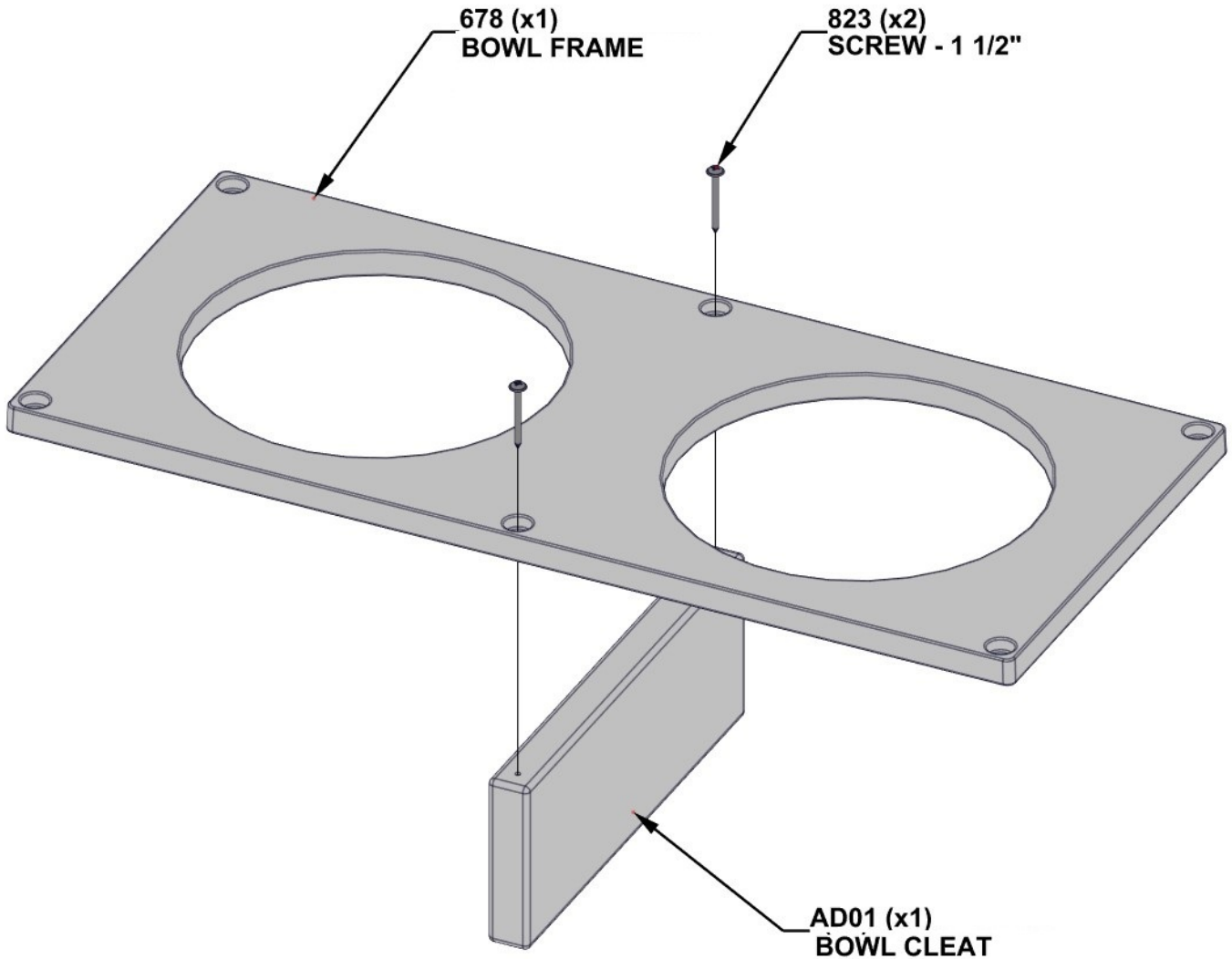


A6P00678 BOWL FRAME
(x1)



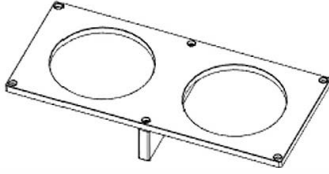
AD01 BOWL CLEAT - W4L19526
(x1) 15/16"x4"x10 9/16" (24x102x268)

- USE PILOT HOLES TO ALIGN SCREWS

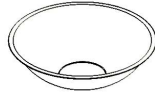


STEP 36 D

Qty	PART NUMBER	DESCRIPTION
4	H100823	SCREW PWH 8x1 1/2 BLK

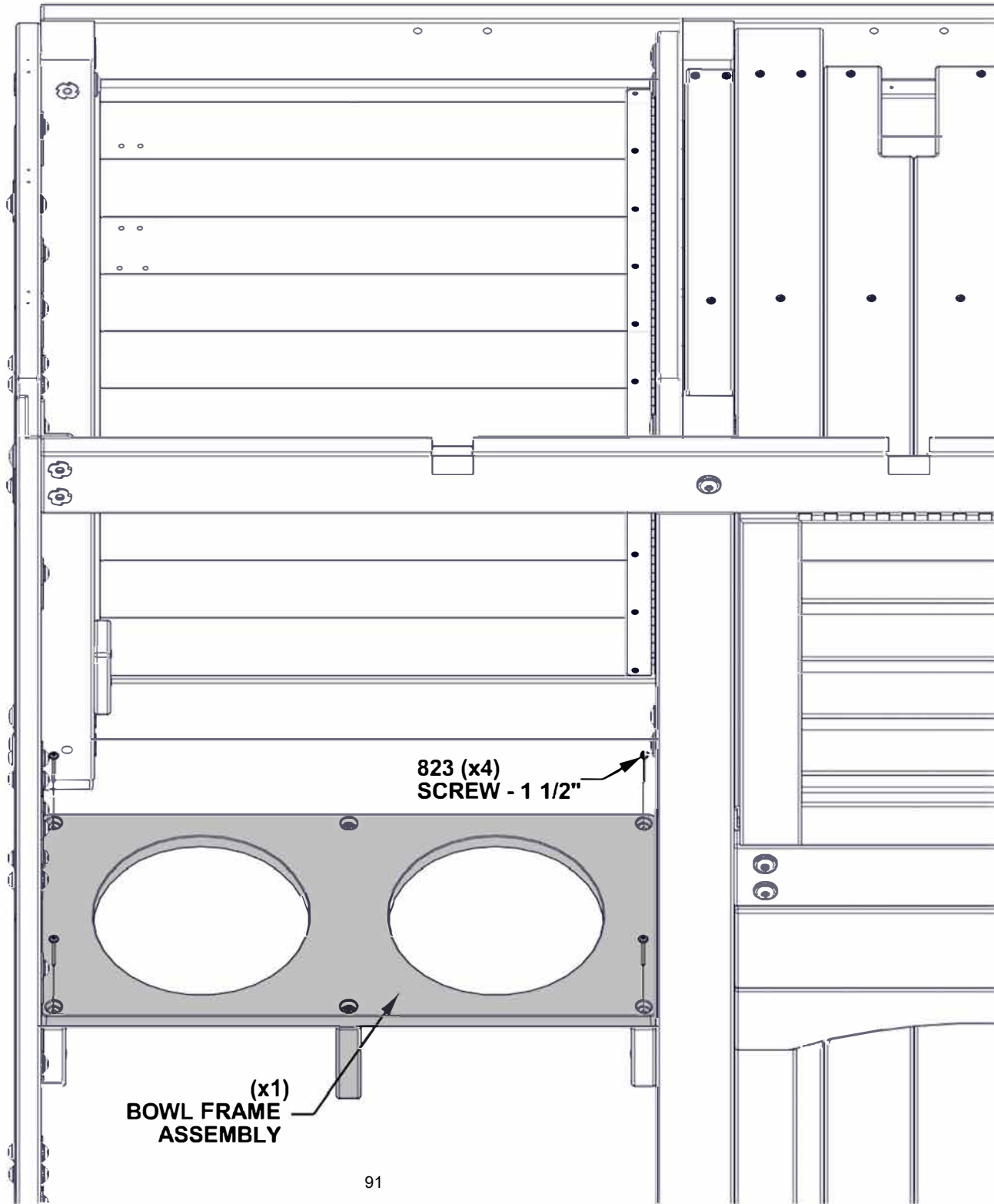


BOWL FRAME ASSEMBLY (x1)
(FROM STEP 36 C)



A4M05903 BOWL
(x2)

- USE PILOT HOLES TO ALIGN SCREWS

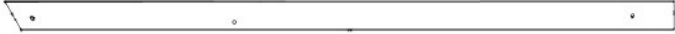


STEP 37 A

Qty	PART NUMBER	DESCRIPTION
3	H100415	BOLT WH 5/16x3 3/4 BLK
3	H100198	WASHER LOCK EXT 8x19

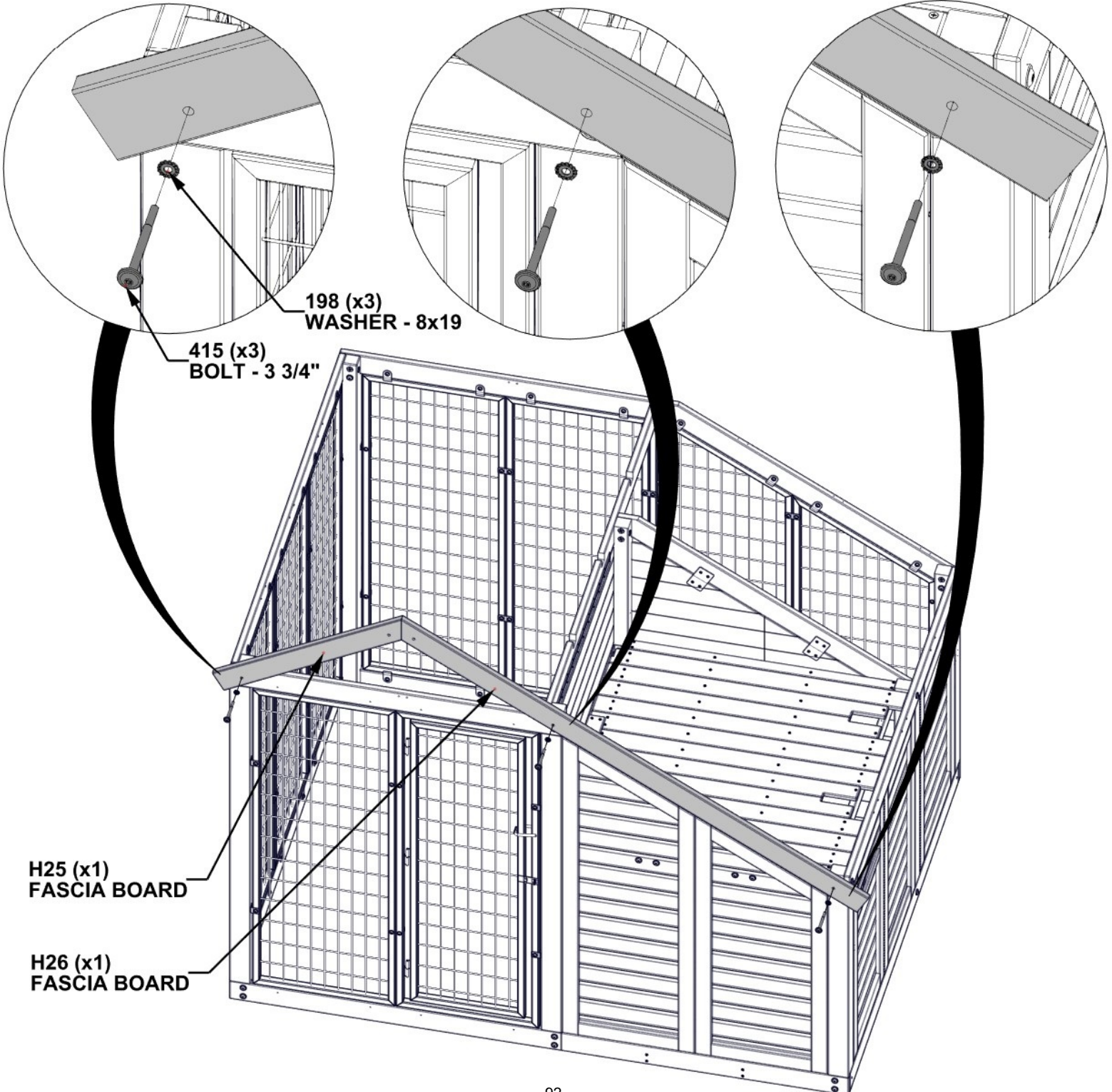


H25 FASCIA BOARD - W4L19522
(x1) 15/16"x3 3/8"x31 5/16" (24x86x795)



H26 FASCIA BOARD - W4L19523
(x1) 15/16"x3 3/8"x77 3/8" (24x86x1966)

- PILOT HOLES GO TO THE INSIDE



STEP 37 B

Qty	PART NUMBER	DESCRIPTION
3	H100797	SCREW PWH 8x1 BLK
10	H100200	SCREW PFH 8x1 1/2 BLK



J8 GABLE BOARD - W4L19462
(x1) 15/16"X2 3/8"X13 7/16" (24x60x341)

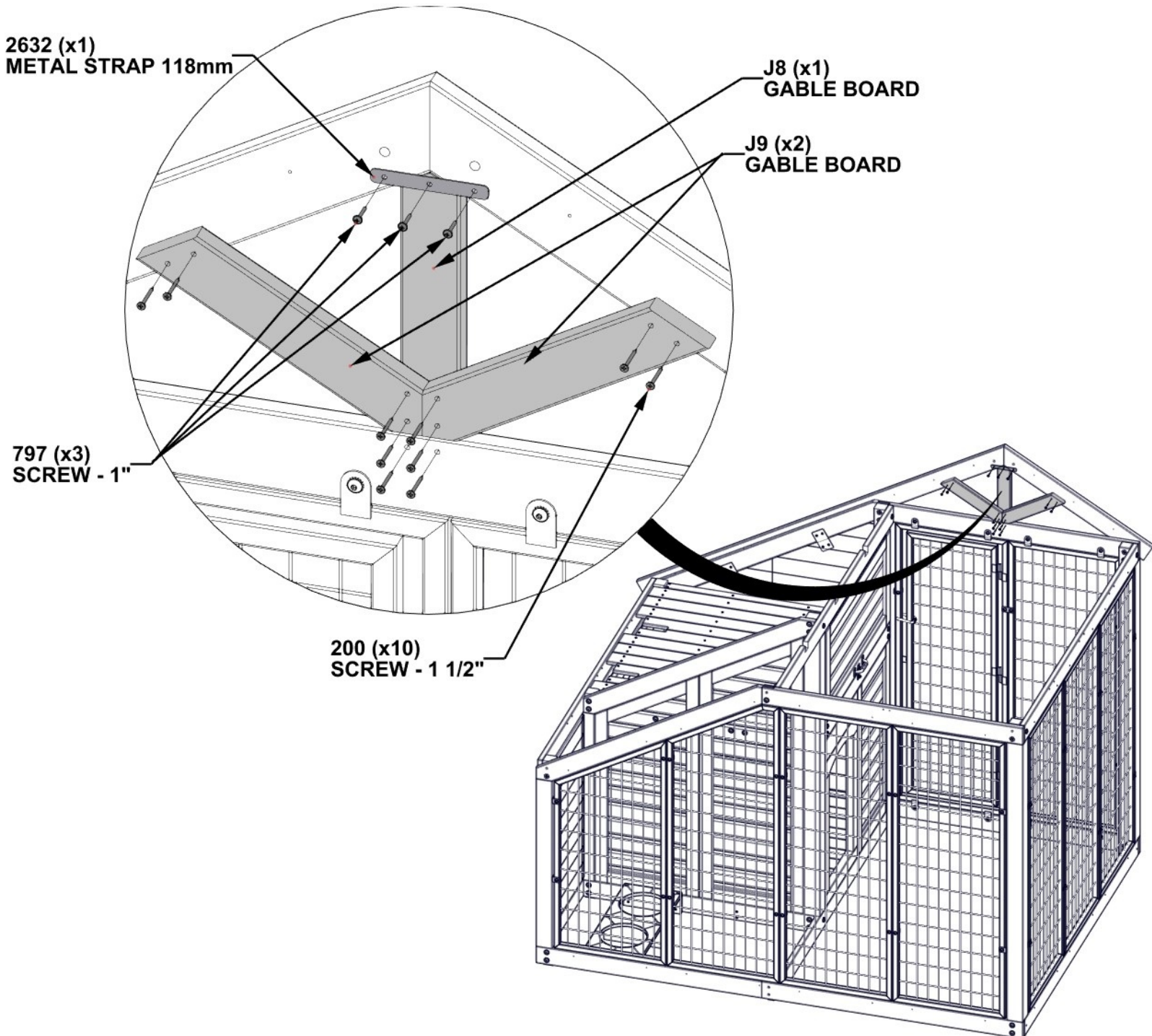


J9 GABLE BOARD - W4L19465
(x2) 15/16"X2 3/8"X12 5/8" (24x60x320)



METAL STRAP 118mm - A4M02632
(x1)

- USE PILOT HOLES TO ALIGN SCREWS



STEP 37 C

Qty	PART NUMBER	DESCRIPTION
6	H100200	SCREW PFH 8x1 1/2 BLK



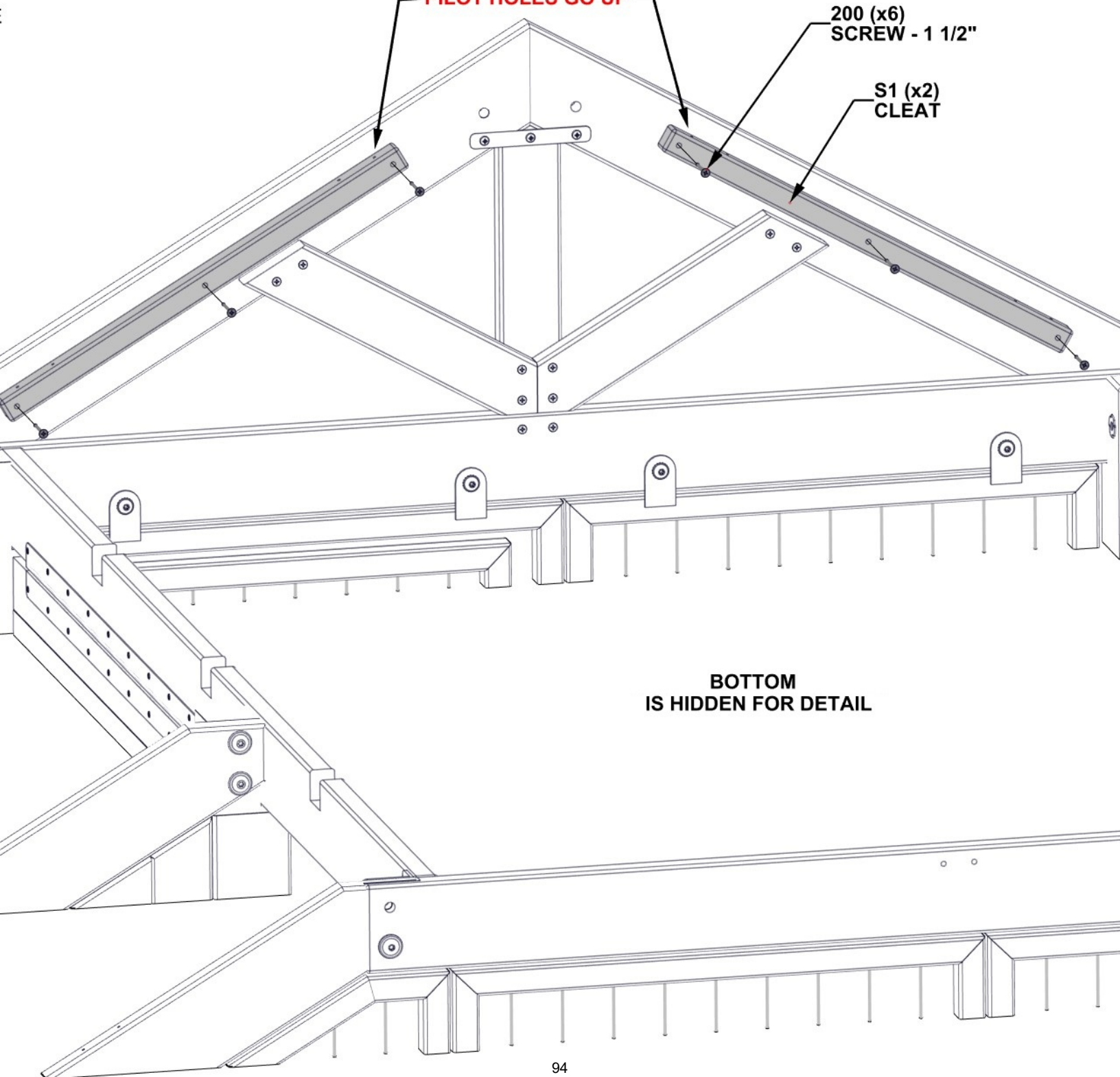
S1 CLEAT - W4L19521
(x2) 15/16"x15/16"x17 11/16" (24x24x450)

- USE PILOT HOLES TO ALIGN SCREWS

PILOT HOLES GO UP

200 (x6)
SCREW - 1 1/2"

S1 (x2)
CLEAT



**BOTTOM
IS HIDDEN FOR DETAIL**

STEP 38 A

Qty	PART NUMBER	DESCRIPTION
1	H100469	NUT BARREL WH 5/16X5/8 BLK
1	H100378	BOLT WH 5/16x1 3/4 BLK
1	H100199	WASHER LOCK EXT 12x19
2	H100415	BOLT WH 5/16x3 3/4 BLK
2	H100198	WASHER LOCK EXT 8x19

H20 FASCIA BOARD - W4L19463
(x1) 15/16"x3 3/8"x31 5/16" (24x86x795)

H21 FASCIA BOARD - W4L19464
(x1) 15/16"x3 3/8"x77 3/8" (24x86x1966)

- PILOT HOLES GO TO THE INSIDE

BACKSIDE OF H21
DETAIL VIEW

199 (x1)
WASHER - 12x19

469 (x1)
BARREL NUT - 5/8"

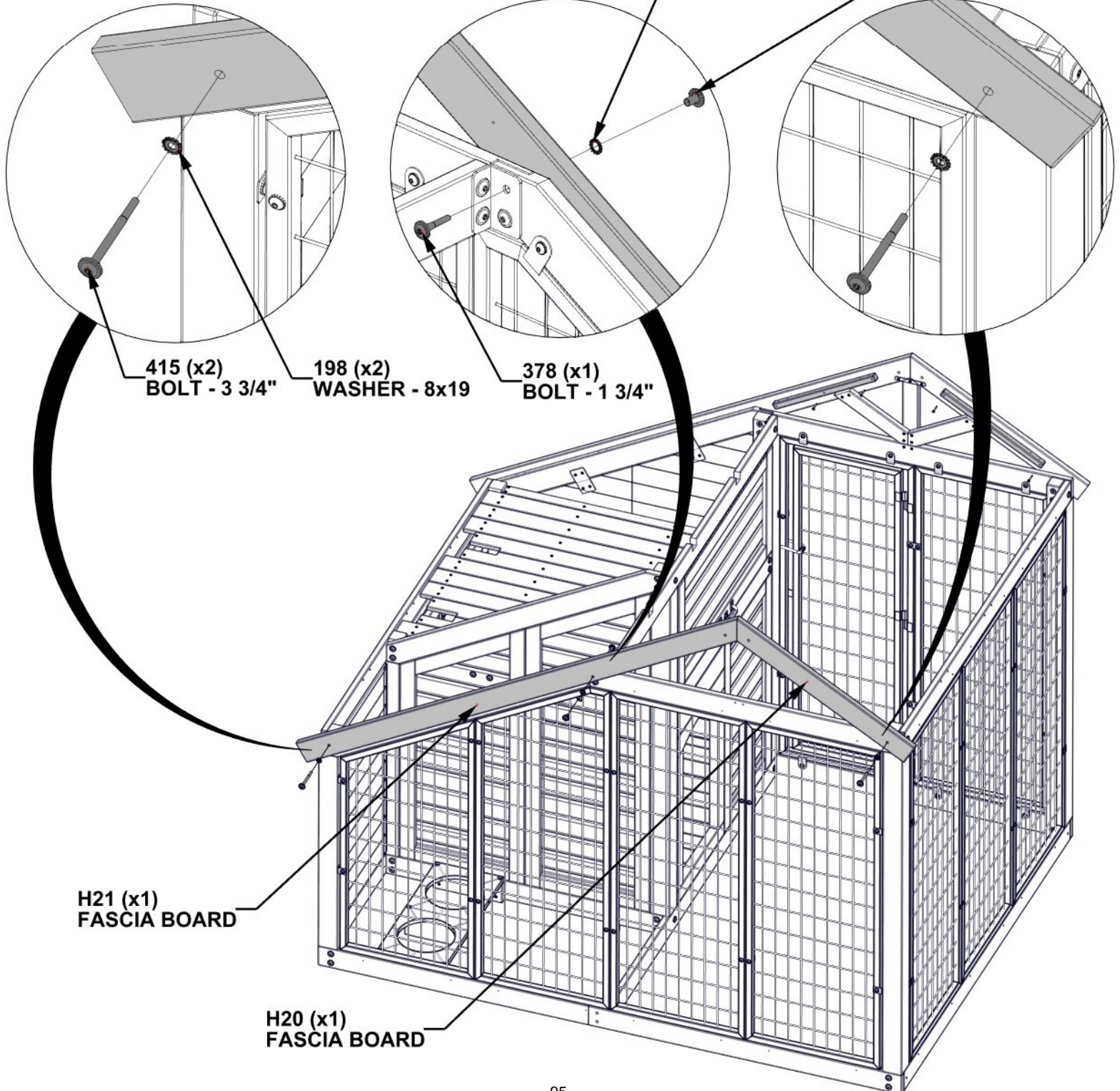
415 (x2)
BOLT - 3 3/4"

198 (x2)
WASHER - 8x19

378 (x1)
BOLT - 1 3/4"

H21 (x1)
FASCIA BOARD

H20 (x1)
FASCIA BOARD



STEP 38 B



J8 GABLE BOARD - W4L19462
(x1) 15/16"X2 3/8"X13 7/16" (24x60x341)



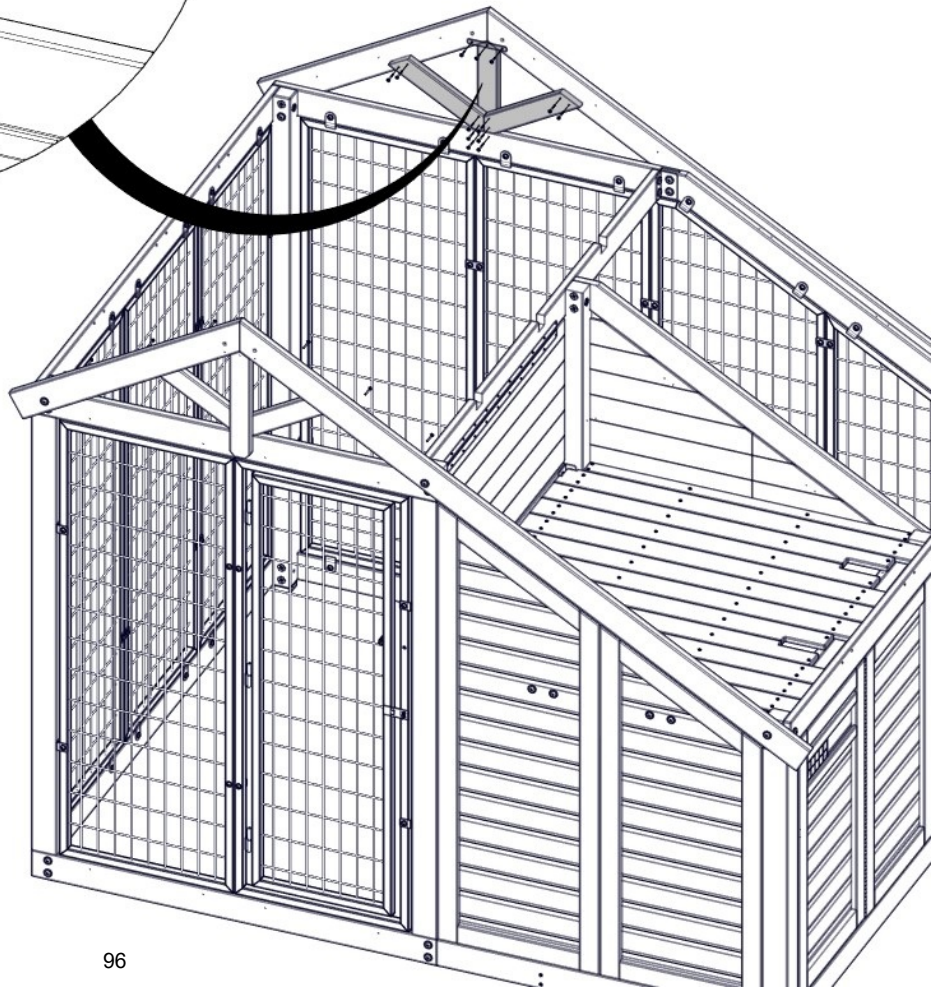
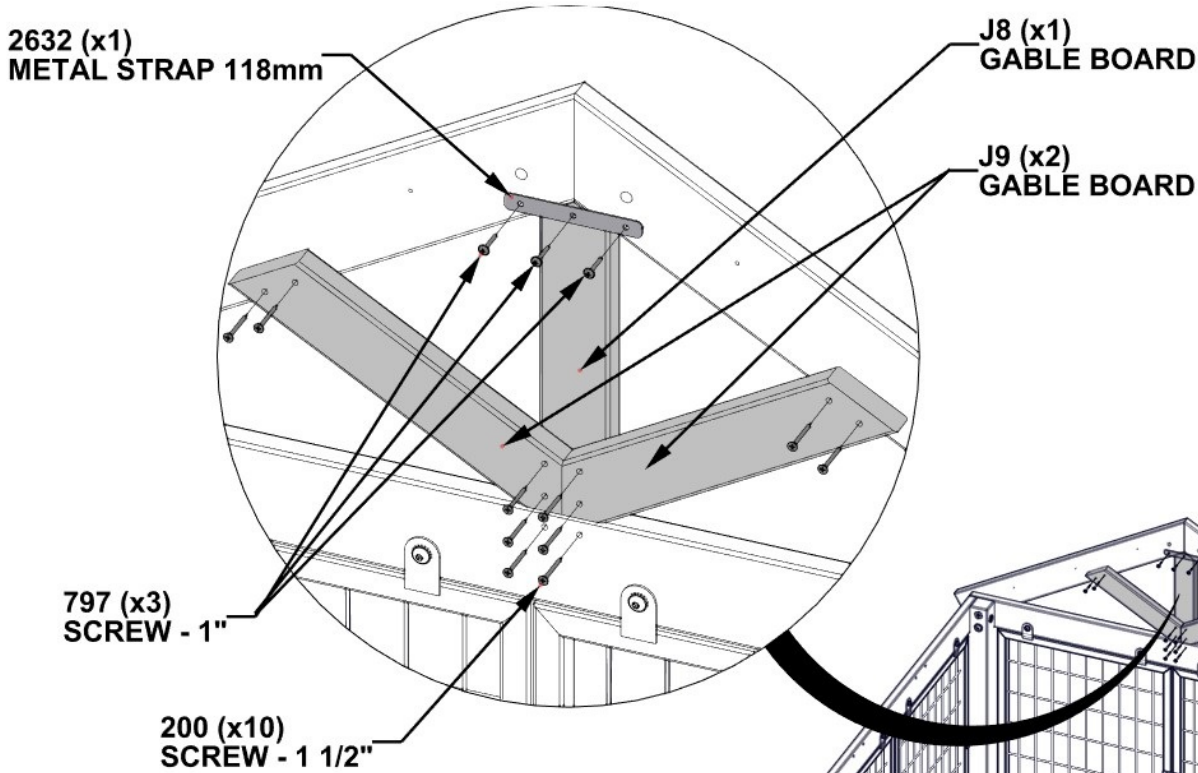
J9 GABLE BOARD - W4L19465
(x2) 15/16"X2 3/8"X12 5/8" (24x60x320)

Qty	PART NUMBER	DESCRIPTION
3	H100797	SCREW PWH 8x1 BLK
10	H100200	SCREW PFH 8x1 1/2 BLK



A4M02632 METAL STRAP 118mm
(x1)

- USE PILOT HOLES TO ALIGN SCREWS



STEP 38 C

Qty	PART NUMBER	DESCRIPTION
6	H100200	SCREW PFH 8x1 1/2 BLK



S1 CLEAT - W4L19521
(x2) 15/16"x15/16"x17 11/16" (24x24x450)

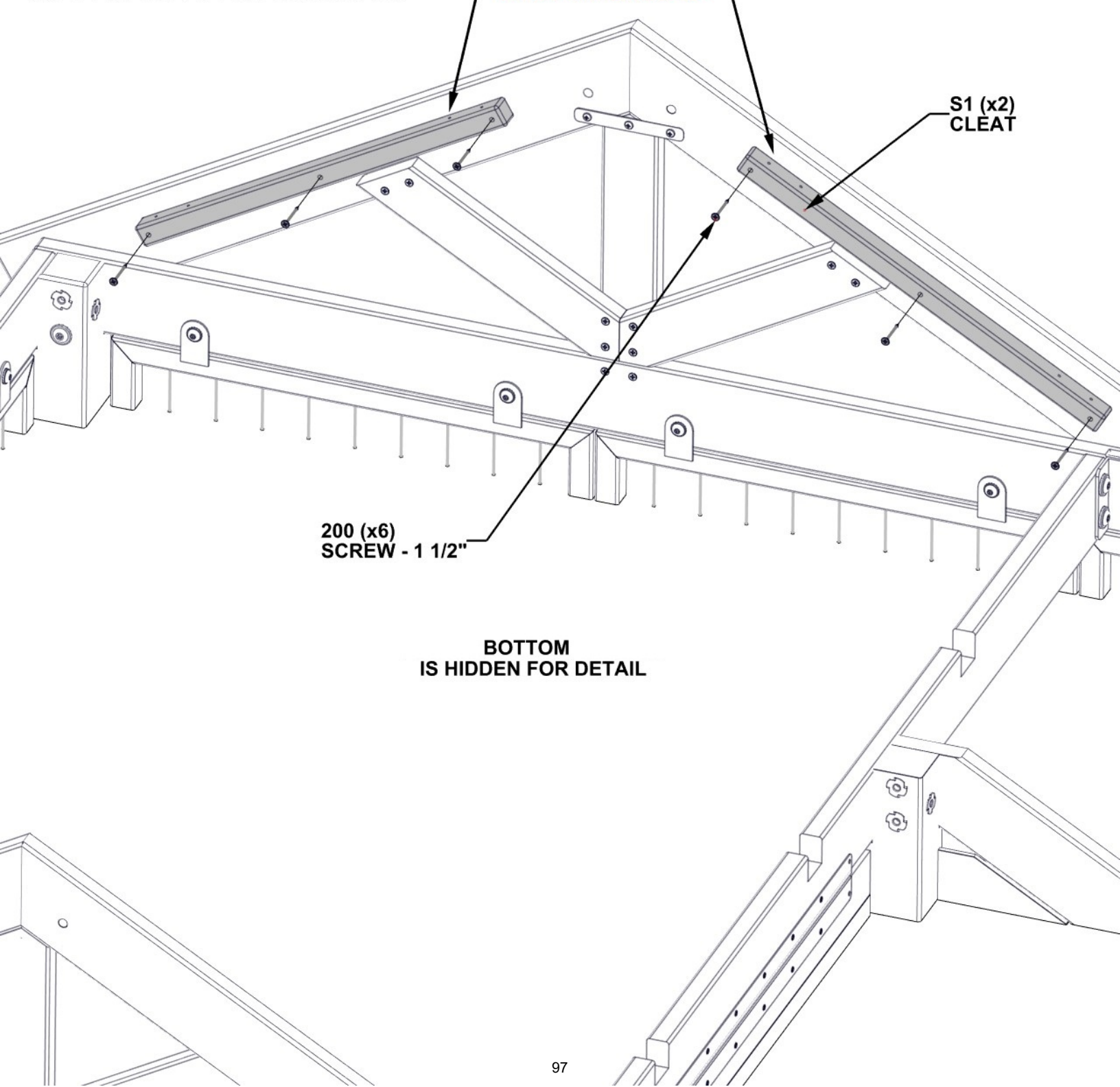
- USE PILOT HOLES TO ALIGN SCREWS

PILOT HOLES GO UP

S1 (x2)
CLEAT

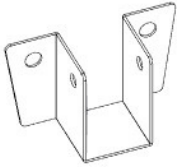
200 (x6)
SCREW - 1 1/2"

**BOTTOM
IS HIDDEN FOR DETAIL**

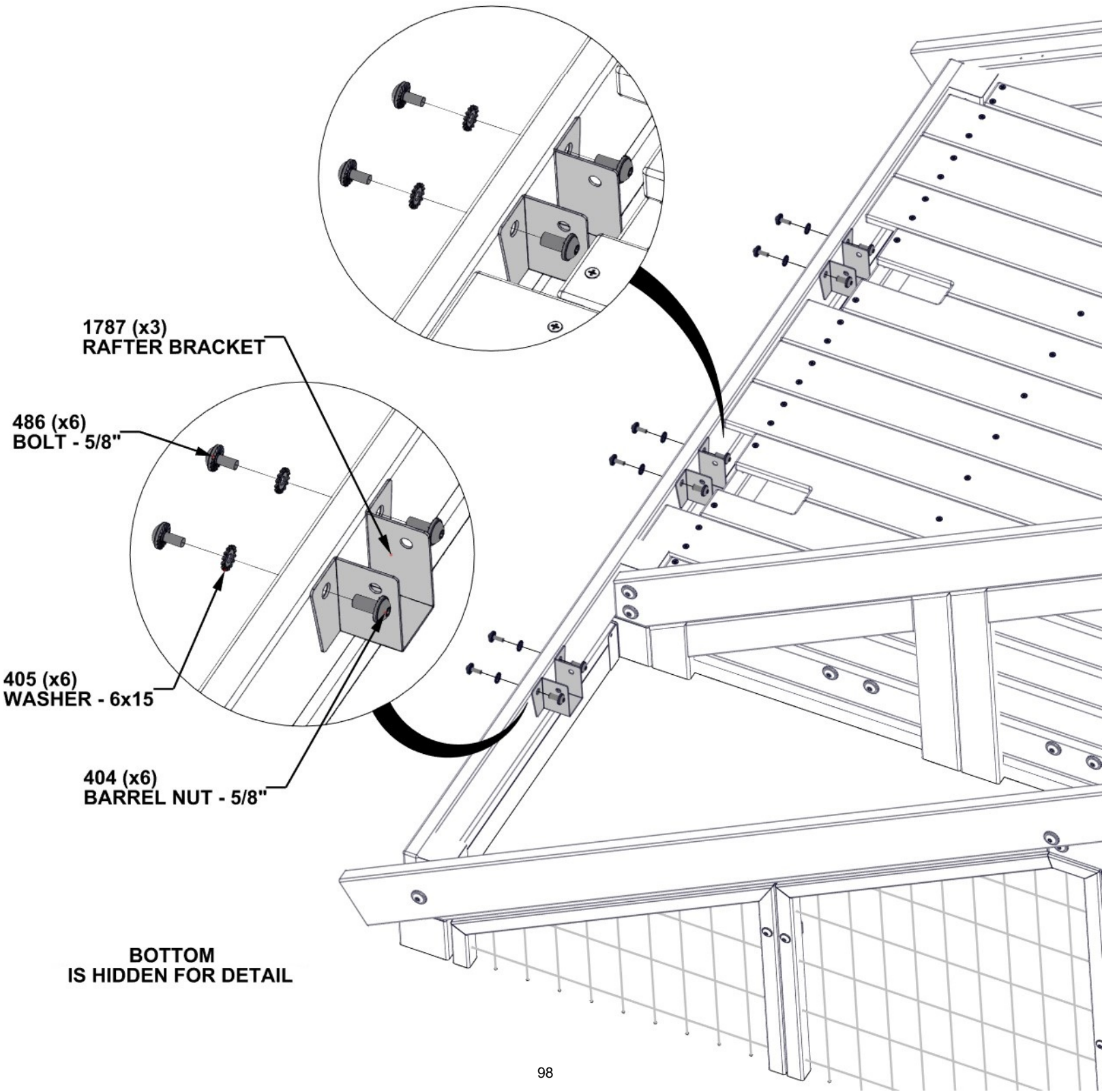


STEP 39

Qty	PART NUMBER	DESCRIPTION
6	H100404	NUT BARREL WH 1/4X5/8 BLK
6	H100486	BOLT WH 1/4x5/8 BLK
6	H100405	WASHER LOCK EXT 6x15



A4M01787 RAFTER BRACKET
(x3)



1787 (x3)
RAFTER BRACKET

486 (x6)
BOLT - 5/8"

405 (x6)
WASHER - 6x15

404 (x6)
BARREL NUT - 5/8"

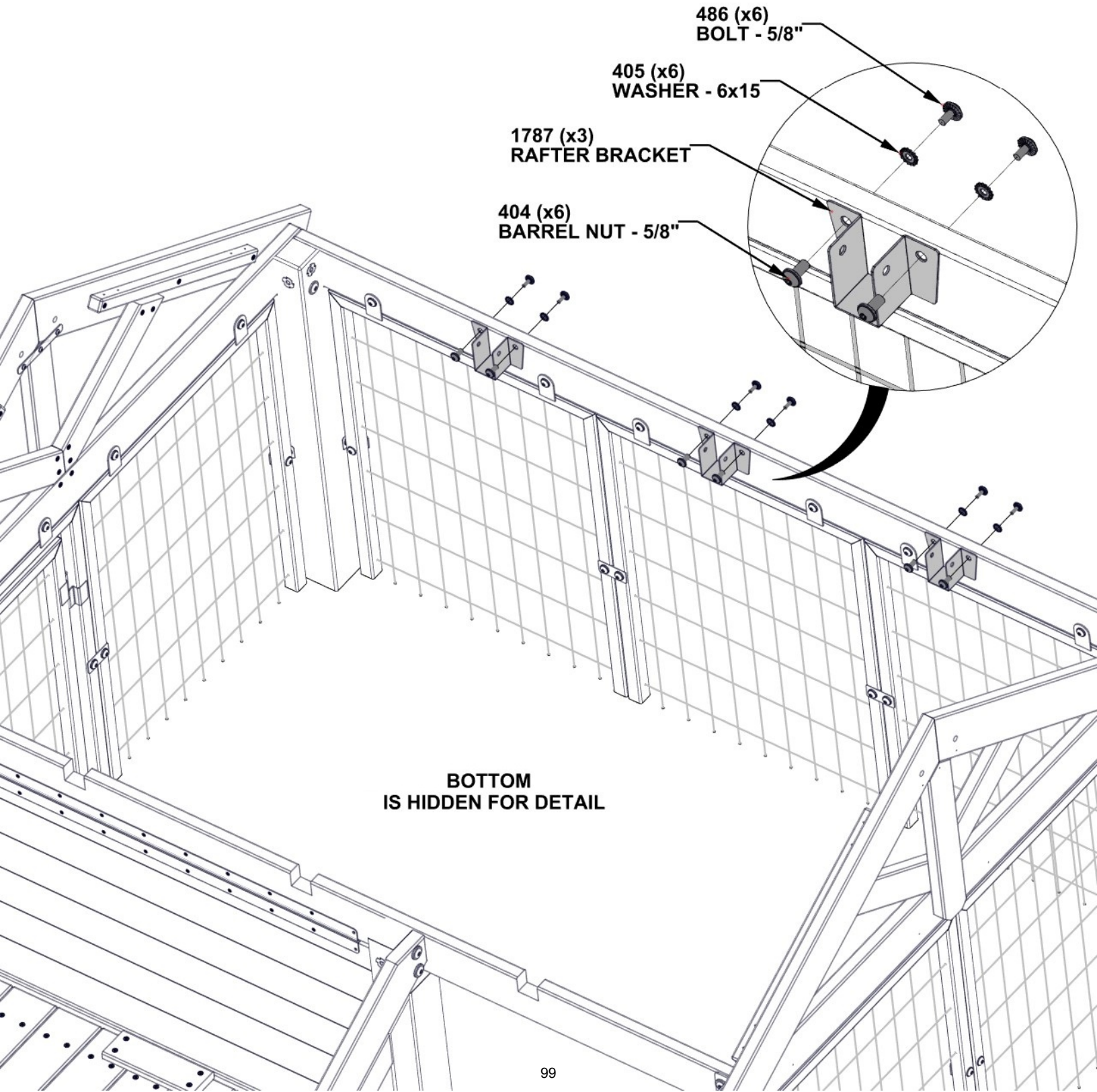
**BOTTOM
IS HIDDEN FOR DETAIL**

STEP 40

Qty	PART NUMBER	DESCRIPTION
6	H100404	NUT BARREL WH 1/4X5/8 BLK
6	H100486	BOLT WH 1/4x5/8 BLK
6	H100405	WASHER LOCK EXT 6x15

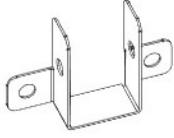


A4M01787 RAFTER BRACKET
(x3)

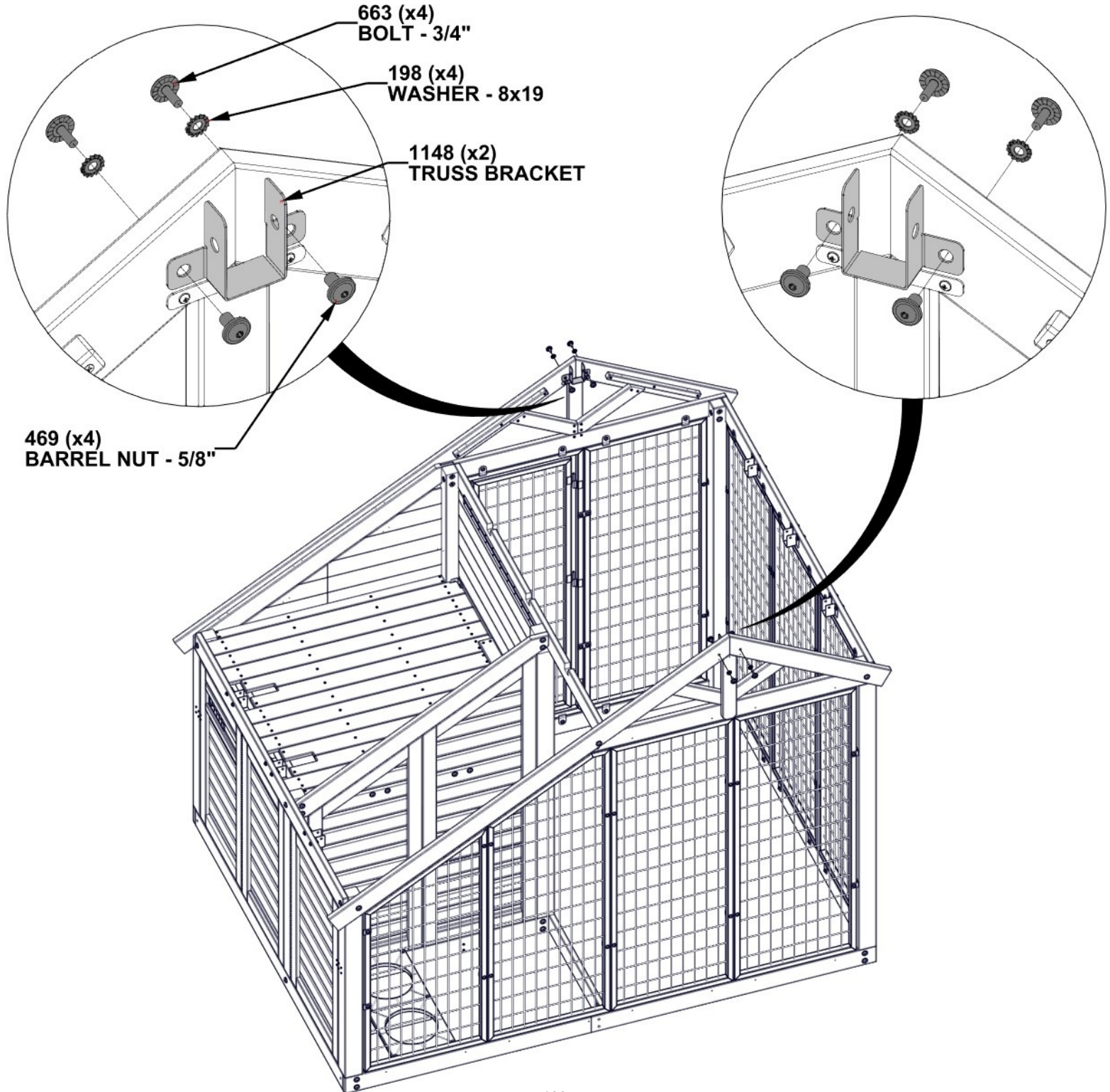


STEP 41

Qty	PART NUMBER	DESCRIPTION
4	H100469	NUT BARREL WH 5/16X5/8 BLK
4	H100663	BOLT WH 5/16x3/4 BLK
4	H100198	WASHER LOCK EXT 8x19



A4M01148 TRUSS BRACKET
(x2)



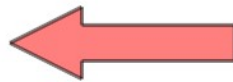
STEP 42 A - ROOF PANEL A ASSEMBLY

ROOF PANEL A

- USE THIS STEP TO FAMILIARIZE YOURSELF WITH THE ROOF PANEL AND ASSIST YOU IN STEPS 42 - 44.
- REMOVE PROTECTIVE BLUE FILM.
- START AT END INDICATED AND ASSEMBLE IN THE DIRECTIONS OF THE ARROW.
- **GLOVES SHOULD BE WORN WHEN HANDLING ROOF PANELS. EDGES ARE SHARP.**

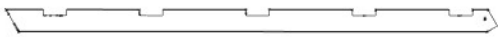


ROOF PANEL STEPS 42 - 44

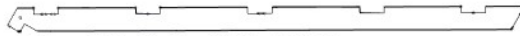


STEP 42 B - ROOF PANEL A ASSEMBLY

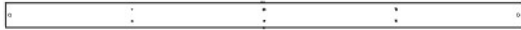
Qty	PART NUMBER	DESCRIPTION
6	H100391	SCREW PFH 8x2 BLK
15	H100382	SCREW PFH 8x1 3/4 BLK



E3 RAFTER - W4L19529
(x1) 1 7/16"x3 3/8"x73 1/8" (36x86x1857)



E2 RAFTER - W4L19468
(x2) 1 7/16"x3 3/8"x73 1/8" (36x86x1857)

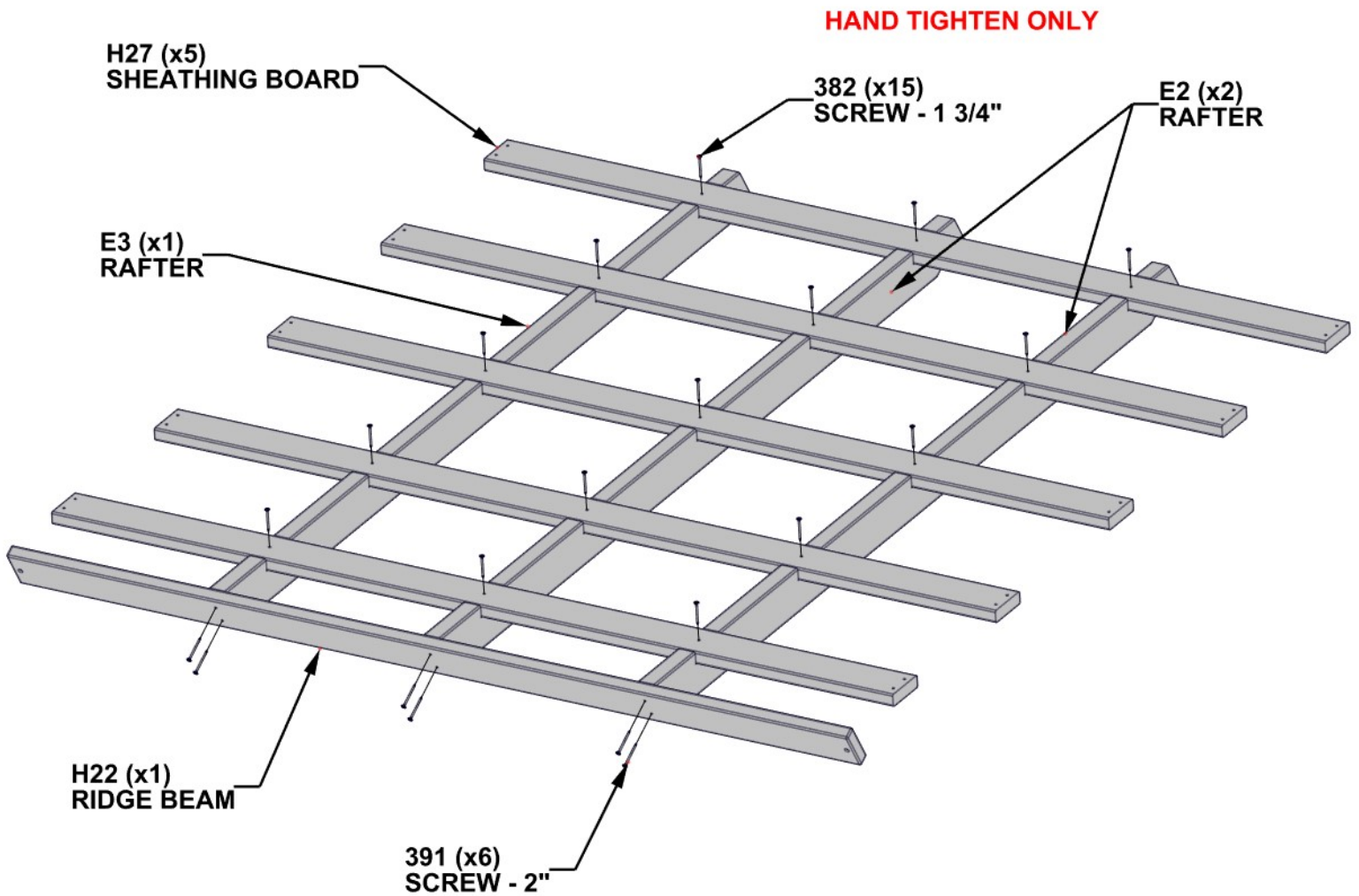


H22 RIDGE BEAM - W4L19466
(x1) 15/16"x3 3/8"x68 1/4" (24x86x1734)



H27 SHEATHING BOARD - W4L19524
(x5) 15/16"x3 3/8"x68 1/4" (24x86x1734)

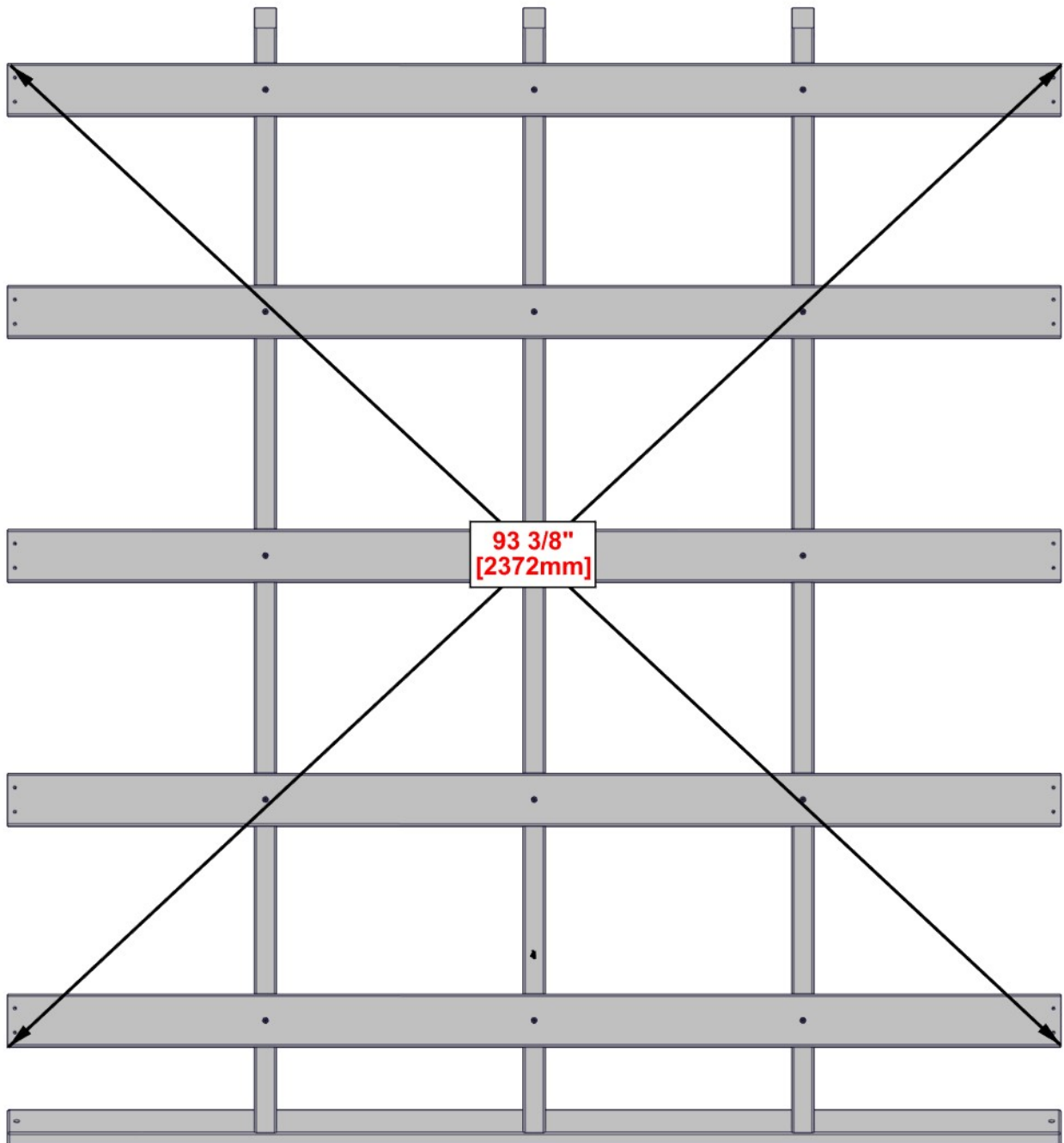
- USE PILOT HOLES TO ALIGN SCREWS



STEP 42 C - ROOF PANEL A ASSEMBLY

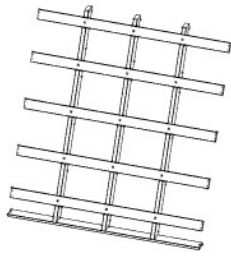
CRITICAL:

- SQUARE UNIT BEFORE PROCEEDING TO NEXT STEP.
- THE BELOW DIMENSIONS ARE CRITICAL TO THE FINAL ROOF ASSEMBLY.
- MEASUREMENTS SHOULD BE HELD WITHIN +/- 1/4" (6mm).
- MEASUREMENTS OUTSIDE OF THE TOLERANCE WILL LEAD TO THE INABILITY TO ASSEMBLE THE ROOF.



ONCE PANEL IS SQUARED, FULLY TIGHTEN SCREWS

STEP 43 - ROOF PANEL A ASSEMBLY

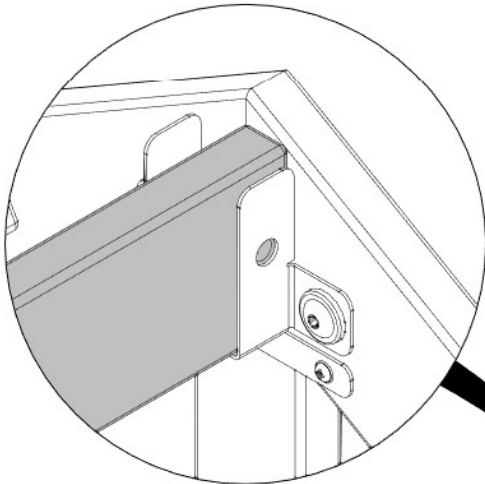


Qty	PART NUMBER	DESCRIPTION
3	H100653	NUT LOCK 1/4 BLK
3	H100488	BOLT WH 1/4x2 BLK
3	H101133	WASHER FLAT 7x14 BLK
20	H100382	SCREW PFH 8x1 3/4 BLK

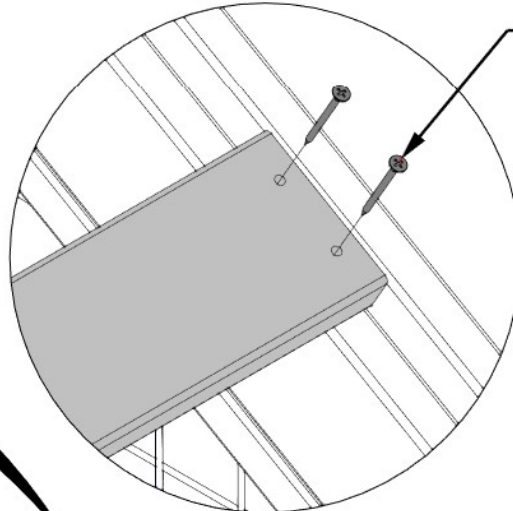
ROOF PANEL ASSEMBLY (LONG SIDE)
(x1) (FROM STEP 42)

- USE PILOT HOLES TO ALIGN SCREWS

10 LOCATIONS



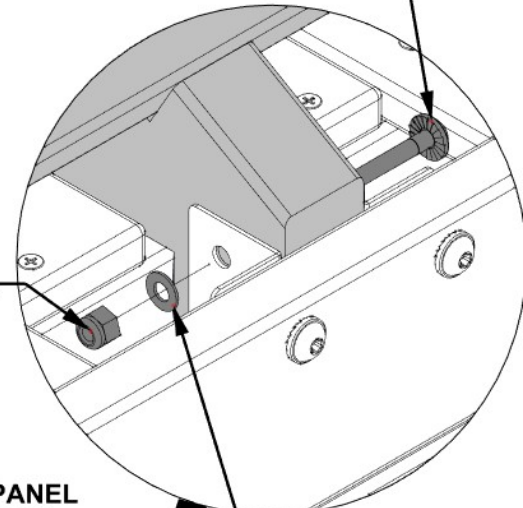
ALIGN TRUSS IN BRACKET
AS SHOWN BOTH ENDS
OF TRUSS



382 (x20)
SCREW - 1 3/4"

488 (x3)
BOLT - 2"

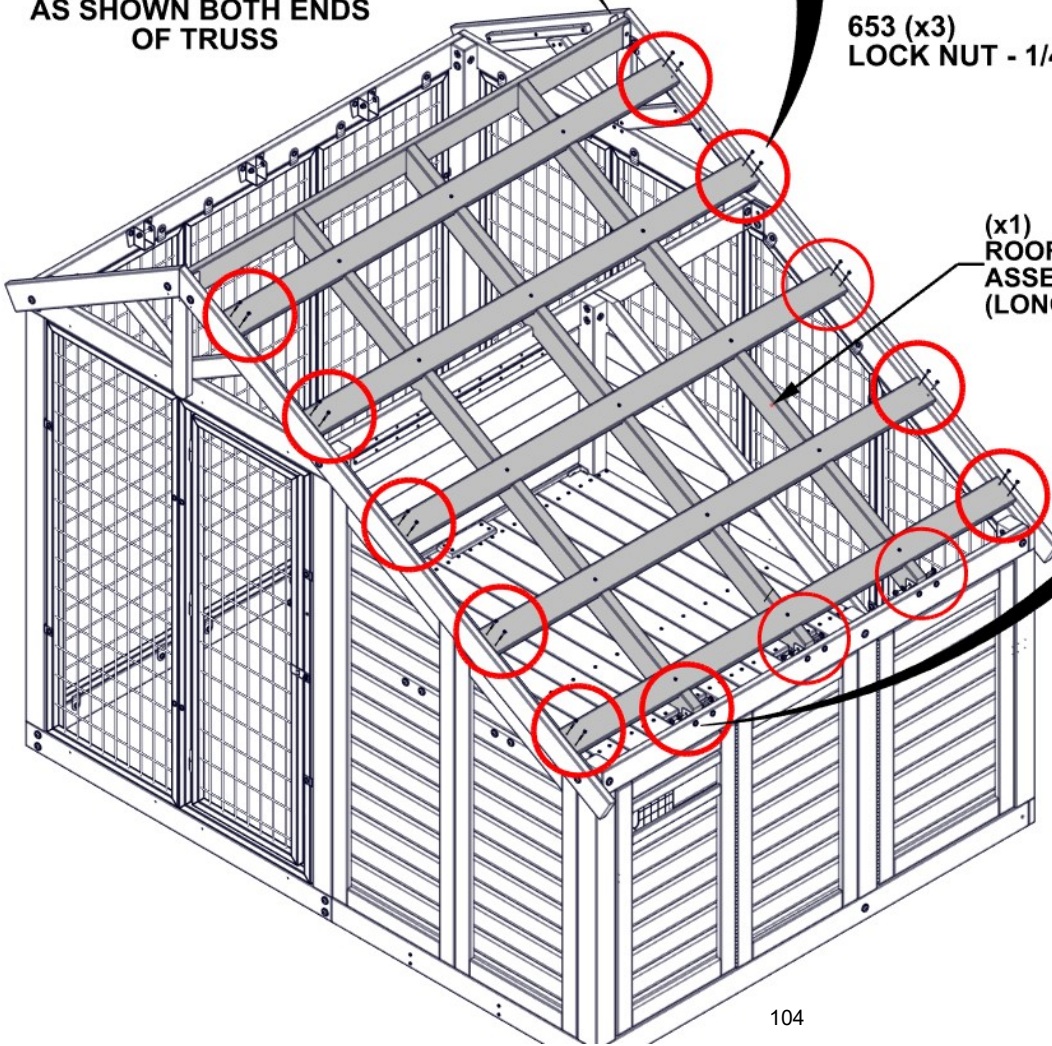
3 LOCATIONS



653 (x3)
LOCK NUT - 1/4"

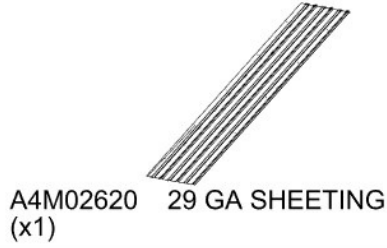
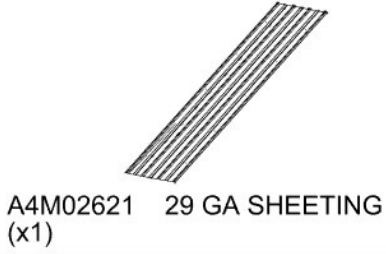
(x1)
ROOF PANEL
ASSEMBLY
(LONG SIDE)

1133 (x3)
WASHER - 7x14

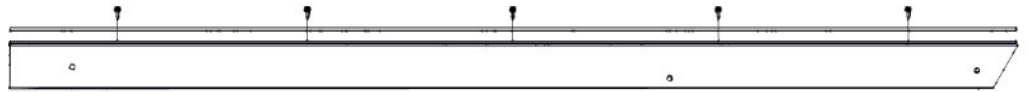


STEP 44 A

Qty	PART NUMBER	DESCRIPTION
10	H101117	SCREW WOODGRIP 10-16x3/4"

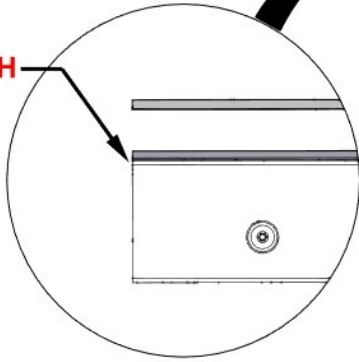


- MAKE SURE YOUR ROOF PANEL IS SQUARE BEFORE MOVING ON
- DO NOT PUT SCREWS IN FIRST ROW OF HOLES

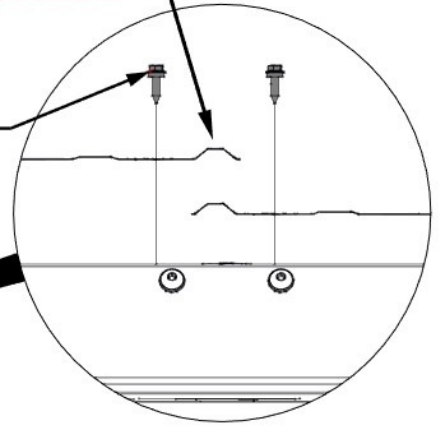


NOTE RIB OVERLAP

FLUSH



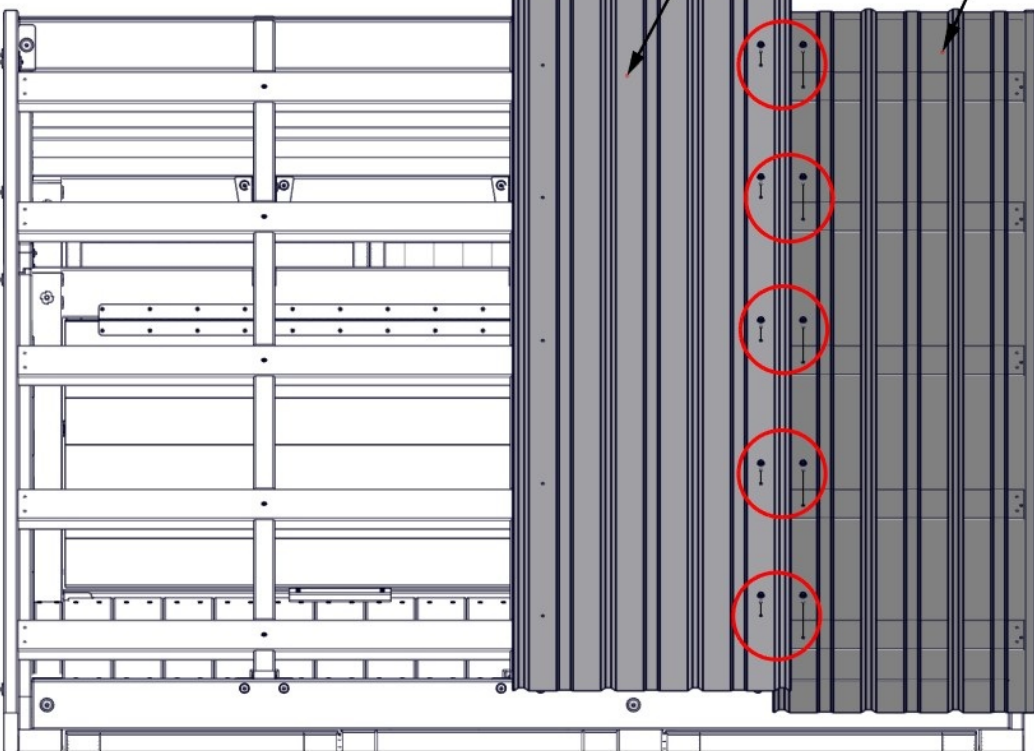
1117 (x10)
SCREW WOODGRIP



BOTTOM OF DOG KENNEL IS HIDDEN FOR DETAIL

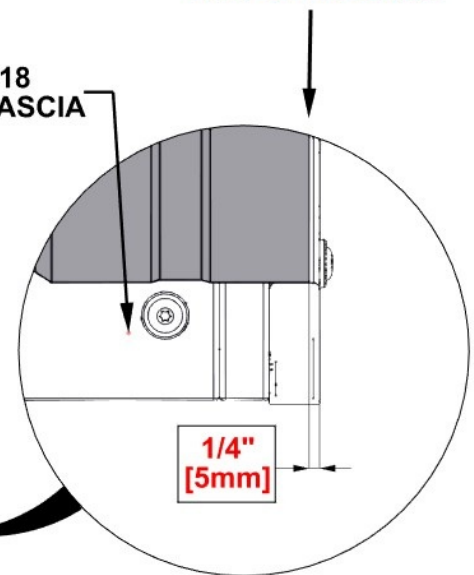
2621 (x1)
29 GA SHEETING

2620 (x1)
29 GA SHEETING



PLACE SHEETING ON ROOF PANEL, ALIGNING EDGE OF RIB 1/4" [5mm] FROM END OF H BOARD

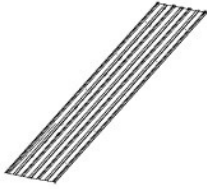
H18 FASCIA



1/4" [5mm]

STEP 44 B

Qty	PART NUMBER	DESCRIPTION
20	H101117	SCREW WOODGRIP 10-16x3/4"



A4M02621 29 GA SHEETING (x1)

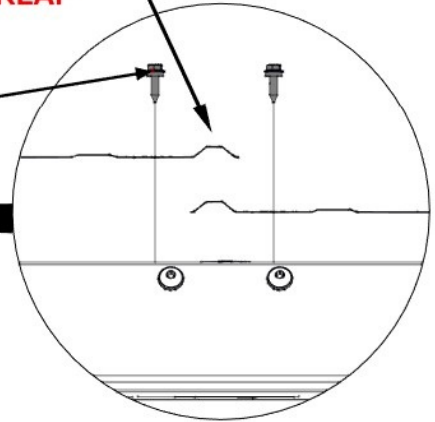


A4M02620 29 GA SHEETING (x1)

- DO NOT PUT SCREWS IN LAST ROW OF HOLES

NOTE RIB OVERLAP

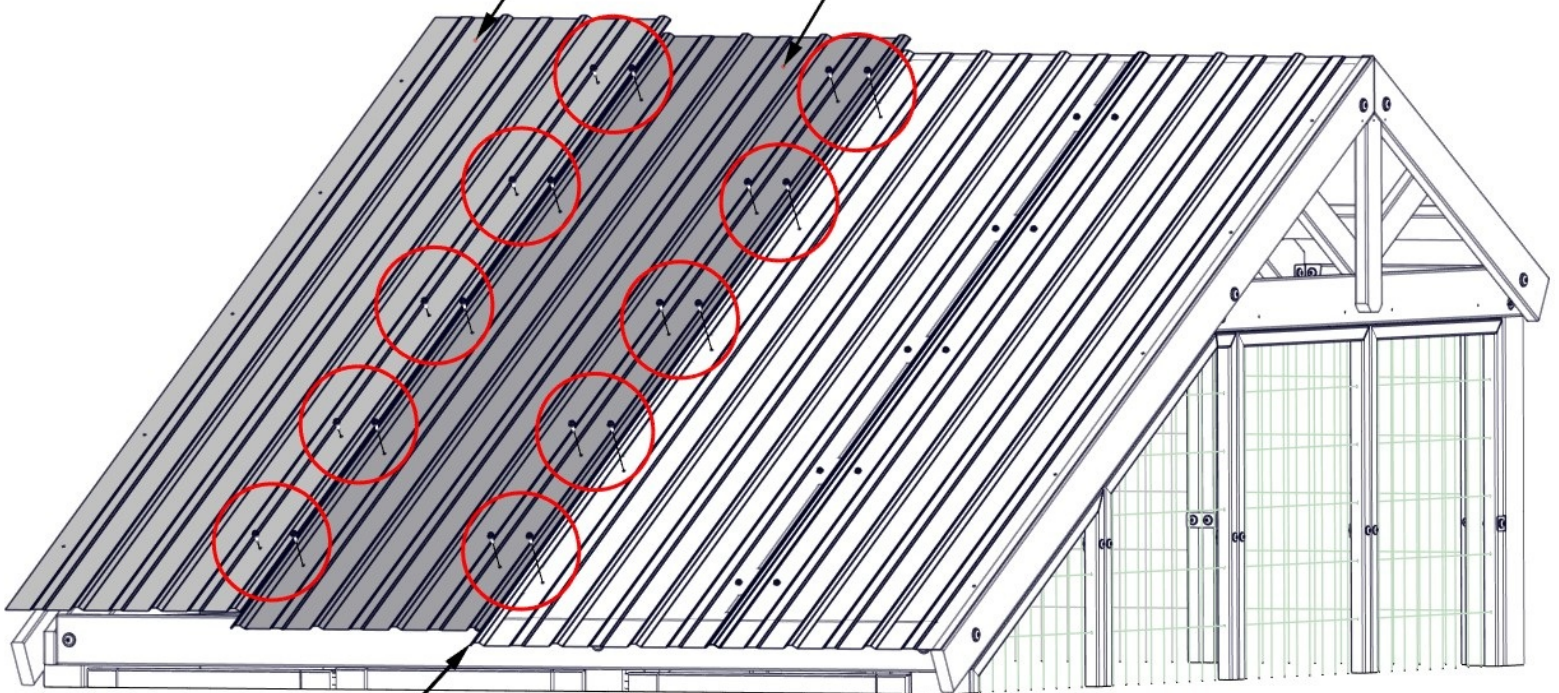
1117 (x20)
SCREW WOODGRIP



ENSURE CORRECT PLACEMENT OF 2620 STEEL SHEETING.

2620 (x1)
29 GA SHEETING

2621 (x1)
29 GA SHEETING



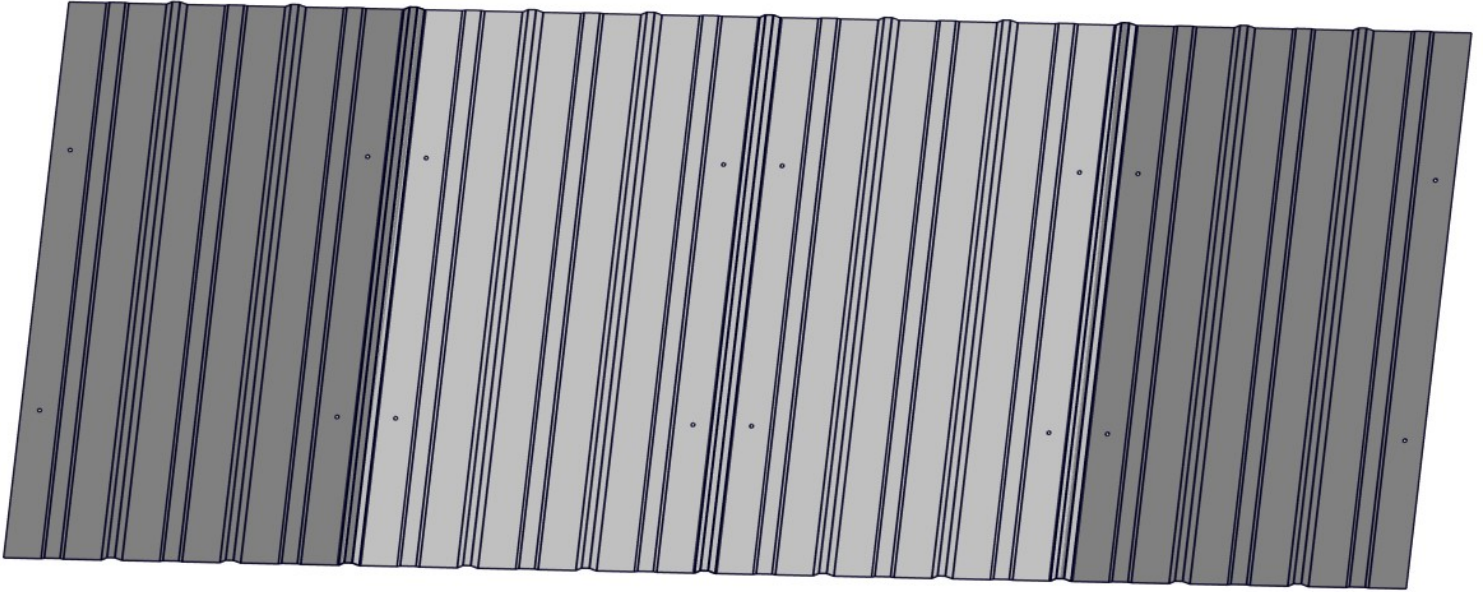
ENDS OF ALL SHEETS SHOULD BE FLUSH

BOTTOM IS HIDDEN FOR DETAIL

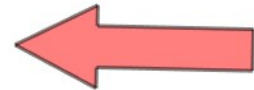
STEP 45 A - ROOF PANEL B ASSEMBLY

ROOF PANEL B

- USE THIS STEP TO FAMILIARIZE YOURSELF WITH THE ROOF PANEL AND ASSIST YOU IN STEPS 45 - 47.
- REMOVE PROTECTIVE BLUE FILM.
- START AT END INDICATED AND ASSEMBLE IN THE DIRECTIONS OF THE ARROW.
- **GLOVES SHOULD BE WORN WHEN HANDLING ROOF PANELS. EDGES ARE SHARP.**



ROOF PANEL STEPS 45 - 47



STEP 45 B - ROOF PANEL B ASSEMBLY

Qty	PART NUMBER	DESCRIPTION
6	H100382	SCREW PFH 8x1 3/4 BLK
6	H100391	SCREW PFH 8x2 BLK



E1 RAFTER - W4L19467
(x3) 1 7/16"x3 3/8"x28 1/4" (36x86x716)



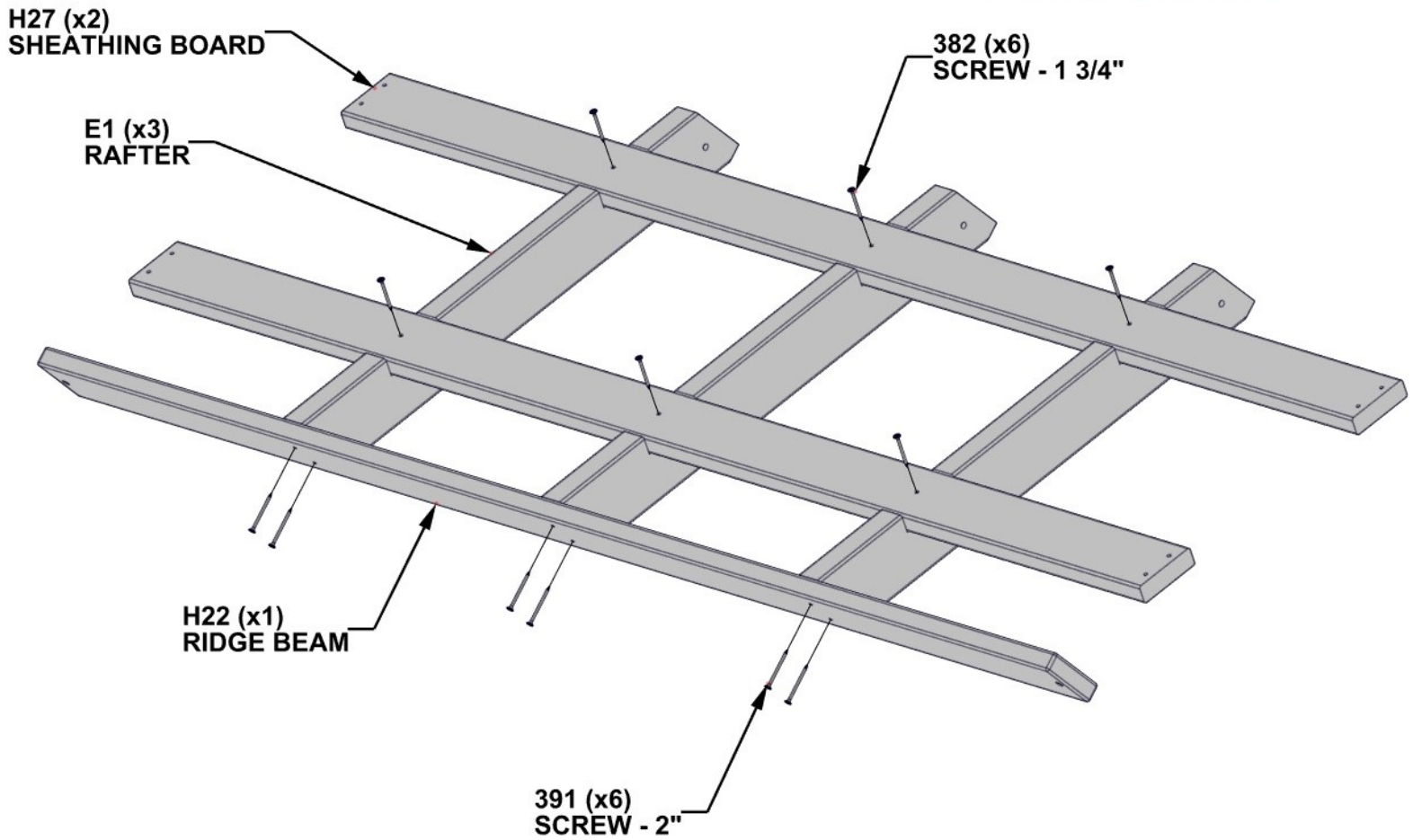
H22 RIDGE BEAM - W4L19466
(x1) 15/16"x3 3/8"x68 1/4" (24x86x1734)



H27 SHEATHING BOARD - W4L19524
(x2) 15/16"x3 3/8"x68 1/4" (24x86x1734)

- USE PILOT HOLES TO ALIGN SCREWS

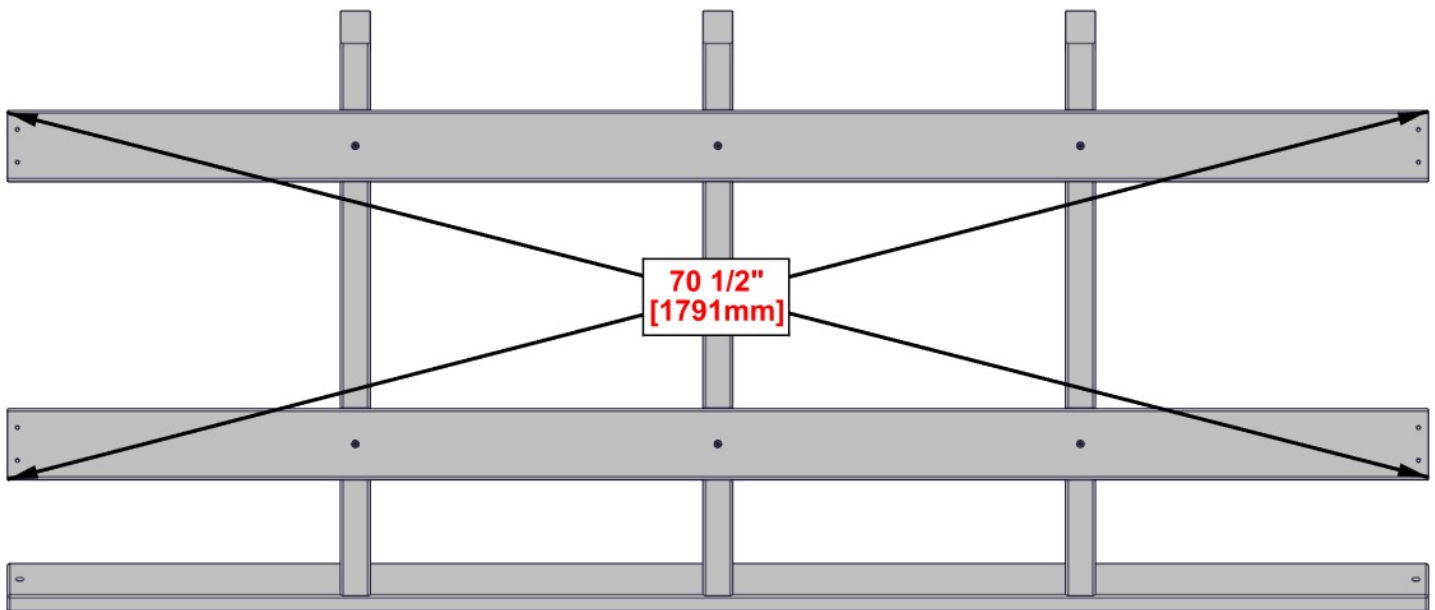
HAND TIGHTEN ONLY



STEP 45 C - ROOF PANEL B ASSEMBLY

CRITICAL:

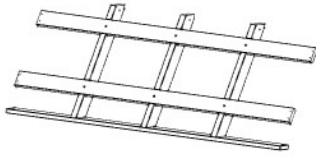
- SQUARE UNIT BEFORE PROCEEDING TO NEXT STEP.
- THE BELOW DIMENSIONS ARE CRITICAL TO THE FINAL ROOF ASSEMBLY.
- MEASUREMENTS SHOULD BE HELD WITHIN $\pm 1/4"$ (6mm).
- MEASUREMENTS OUTSIDE OF THE TOLERANCE WILL LEAD TO THE INABILITY TO ASSEMBLE THE ROOF.



ONCE PANEL IS SQUARED, FULLY TIGHTEN SCREWS

STEP 46 - ROOF PANEL B ASSEMBLY

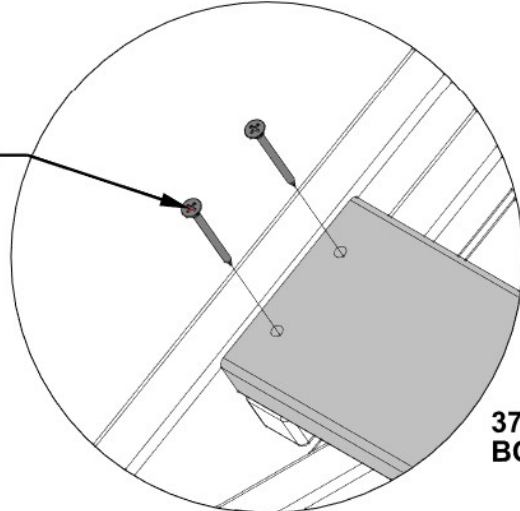
Qty	PART NUMBER	DESCRIPTION
2	H100469	NUT BARREL WH 5/16X5/8 BLK
2	H100378	BOLT WH 5/16x1 3/4 BLK
3	H100653	NUT LOCK 1/4 BLK
3	H100488	BOLT WH 1/4x2 BLK
3	H101133	WASHER FLAT 7x14 BLK
8	H100382	SCREW PFH 8x1 3/4 BLK



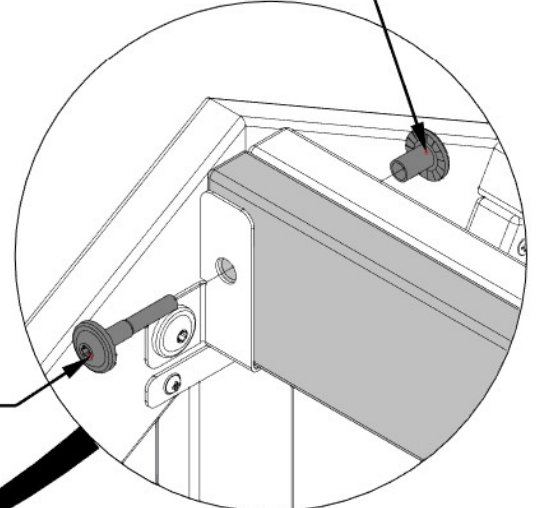
ROOF PANEL ASSEMBLY (SHORT SIDE)
(x1) (FROM STEP 45)

- USE PILOT HOLES TO ALIGN SCREWS

382 (x8)
SCREW - 1 3/4"



469 (x2)
BARREL NUT - 5/8"



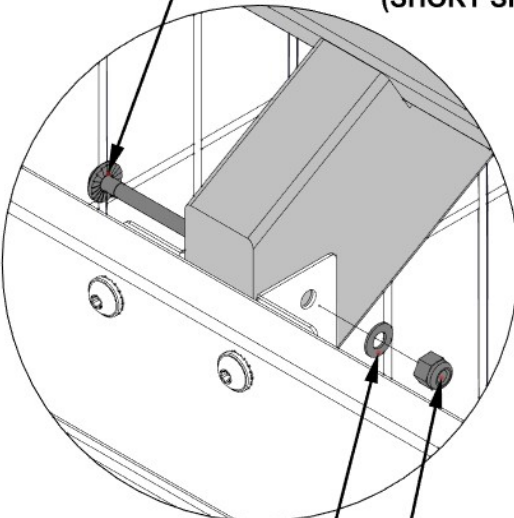
378 (x2)
BOLT - 1 3/4"

4 LOCATIONS

BOTH ENDS
OF TRUSS

488 (x3)
BOLT - 2"

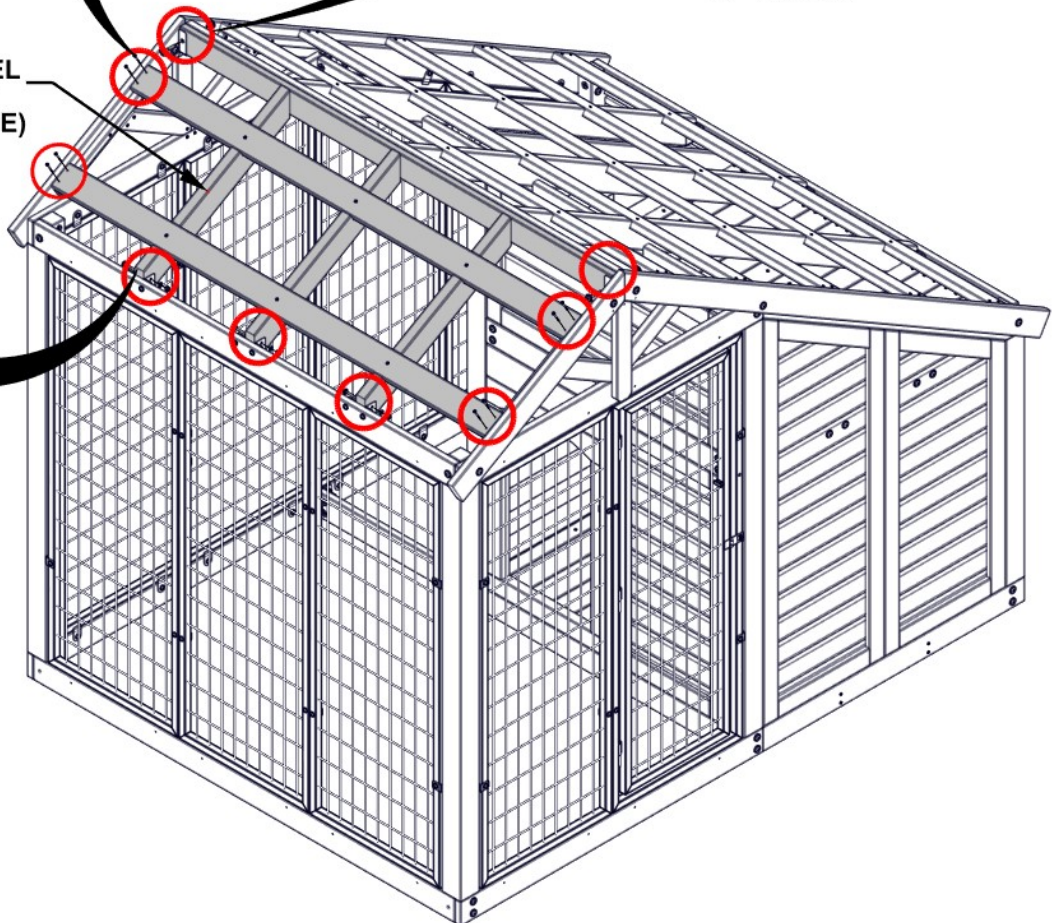
(x1)
ROOF PANEL
ASSEMBLY
(SHORT SIDE)



3 LOCATIONS

1133 (x3)
WASHER - 7x14

653 (x3)
LOCK NUT - 1/4"

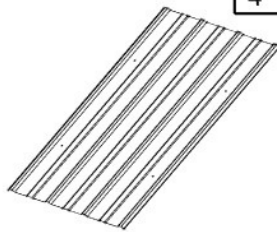


STEP 47 A - ROOF PANEL B ASSEMBLY

Qty	PART NUMBER	DESCRIPTION
4	H101117	SCREW WOODGRIP 10-16x3/4"



A4M02622 29 GA SHEETING (x1)

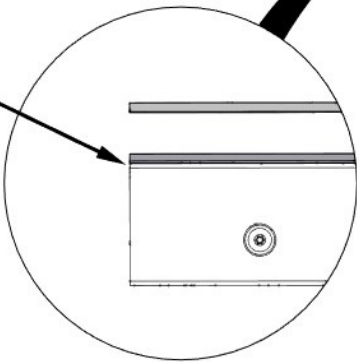


A4M02623 29 GA SHEETING (x1)

- MAKE SURE YOUR ROOF PANEL IS SQUARE BEFORE MOING ON
- DO NOT PUT SCREWS IN FIRST ROW OF HOLES

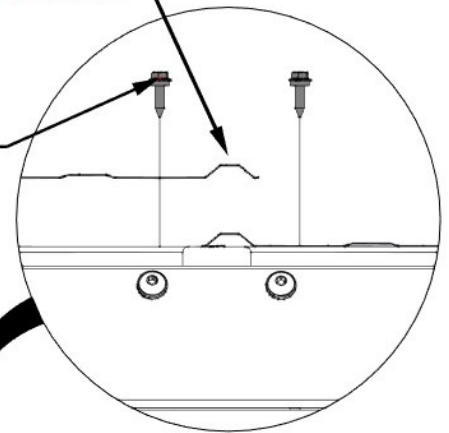


FLUSH



NOTE RIB OVERLAP

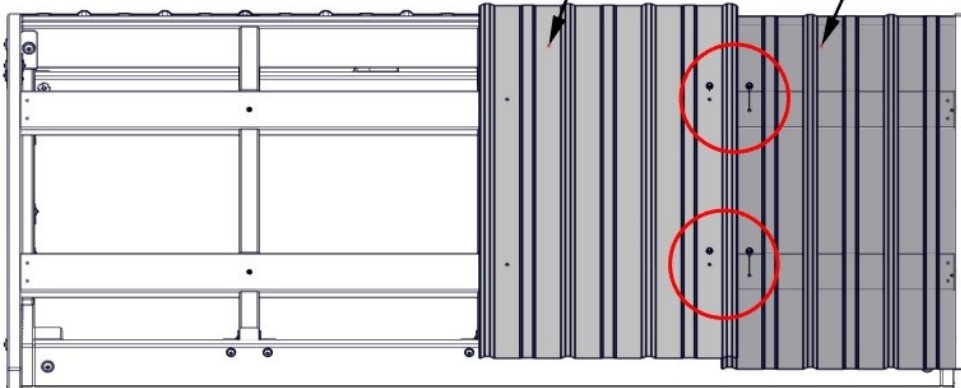
1117 (x4)
SCREW WOODGRIP



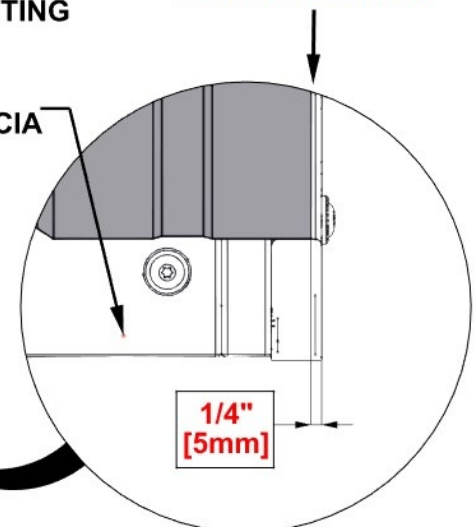
PLACE SHEETING ON ROOF PANEL, ALIGNING EDGE OF RIB 1/4" [5mm] FROM END OF H BOARD

2623 (x1)
29 GA SHEETING

2622 (x1)
29 GA SHEETING



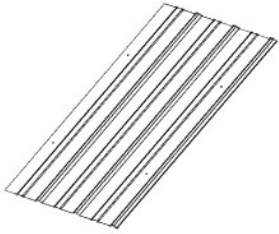
H1
FASCIA



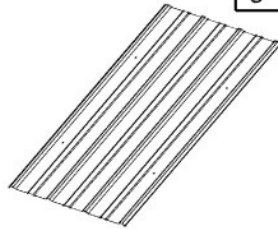
1/4"
[5mm]

STEP 47 B - ROOF PANEL B ASSEMBLY

Qty	PART NUMBER	DESCRIPTION
8	H101117	SCREW WOODGRIP 10-16x3/4"



A4M02622 29 GA SHEETING (x1)

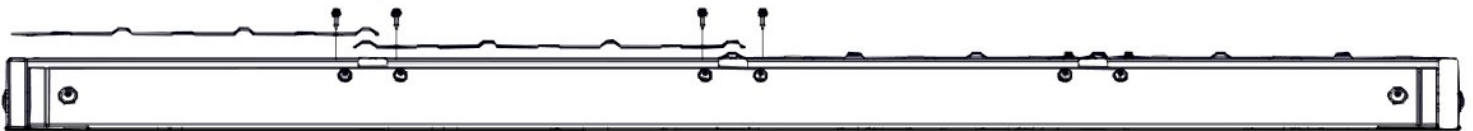
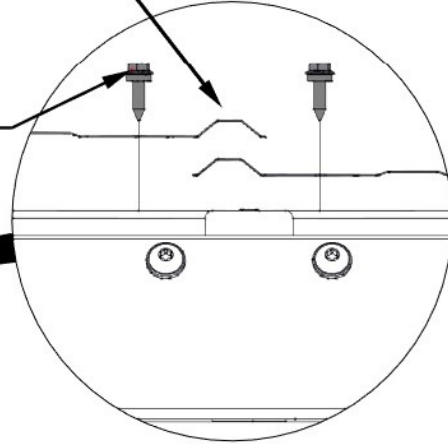


A4M02623 29 GA SHEETING (x1)

- DO NOT PUT SCREWS IN LAST ROW OF HOLES

NOTE RIB OVERLAP

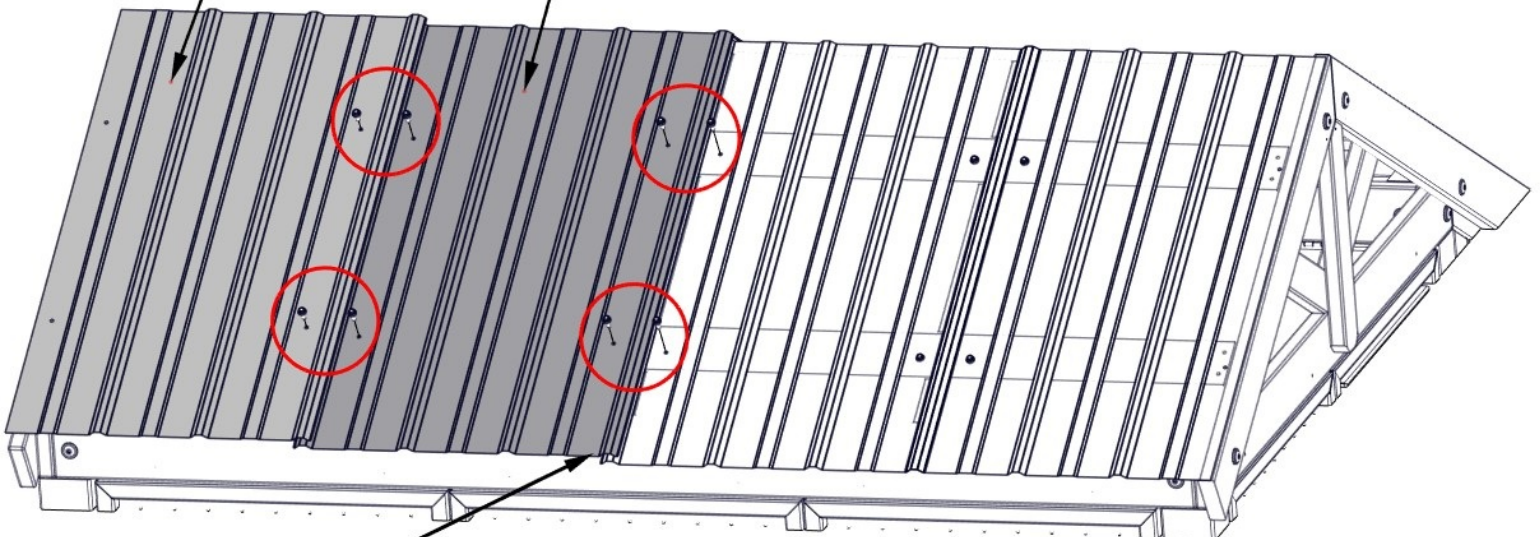
1117 (x8)
SCREW WOODGRIP



2622 (x1)
29 GA SHEETING

2623 (x1)
29 GA SHEETING

ENSURE CORRECT PLACEMENT OF 2622 STEEL SHEETING.



ENDS OF ALL SHEETS SHOULD BE FLUSH

STEP 48 A

Qty	PART NUMBER	DESCRIPTION
4	H101117	SCREW WOODGRIP 10-16x3/4"



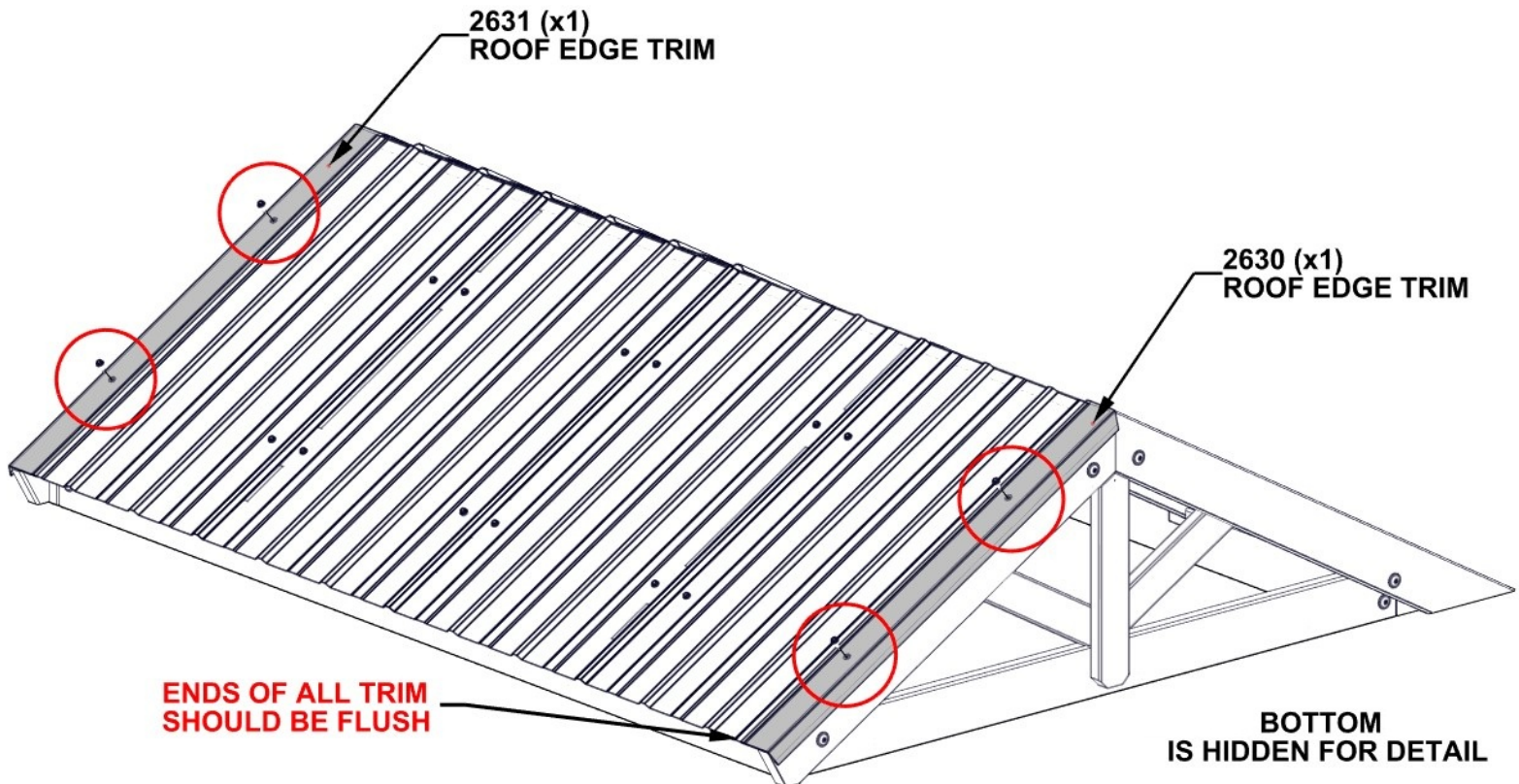
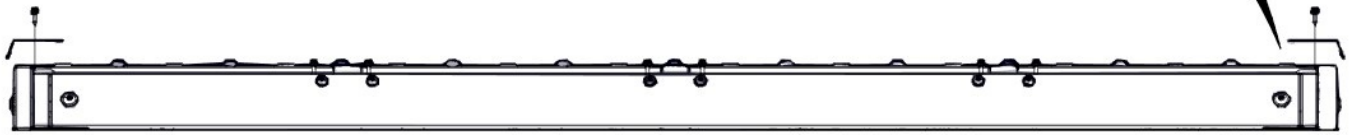
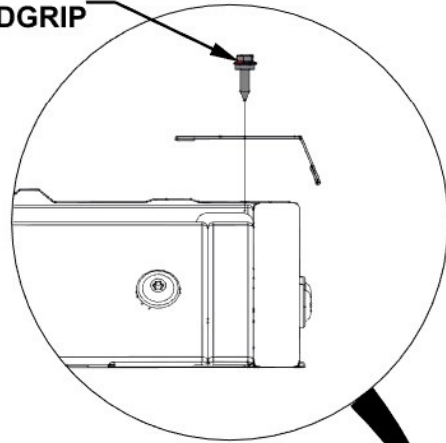
A4M02630 ROOF EDGE TRIM
(x1)



A4M02631 ROOF EDGE TRIM
(x1)

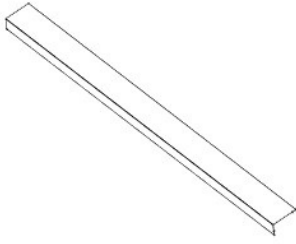
- DUE TO MULTIPLE LAYERS OF METAL ON THE EDGE TRIM, IT IS RECOMMENDED THAT A 1/8" [3mm] DRILL BIT IS USED TO CREATE STARTER HOLES.
- REMOVE PROTECTIVE BLUE FILM.
- **GLOVES SHOULD BE WORN WHEN HANDLING ROOF METAL. EDGES ARE SHARP.**

1117 (x4)
SCREW WOODGRIP



STEP 48 B

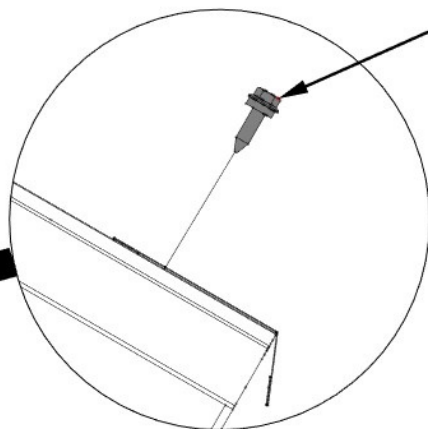
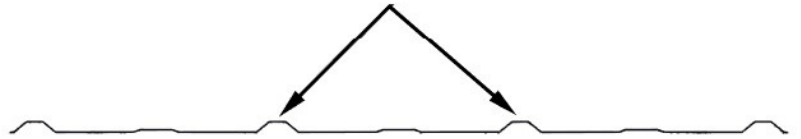
Qty	PART NUMBER	DESCRIPTION
6	H101117	SCREW WOODGRIP 10-16x3/4"



A4M02625 ROOF EDGE TRIM
(x1)

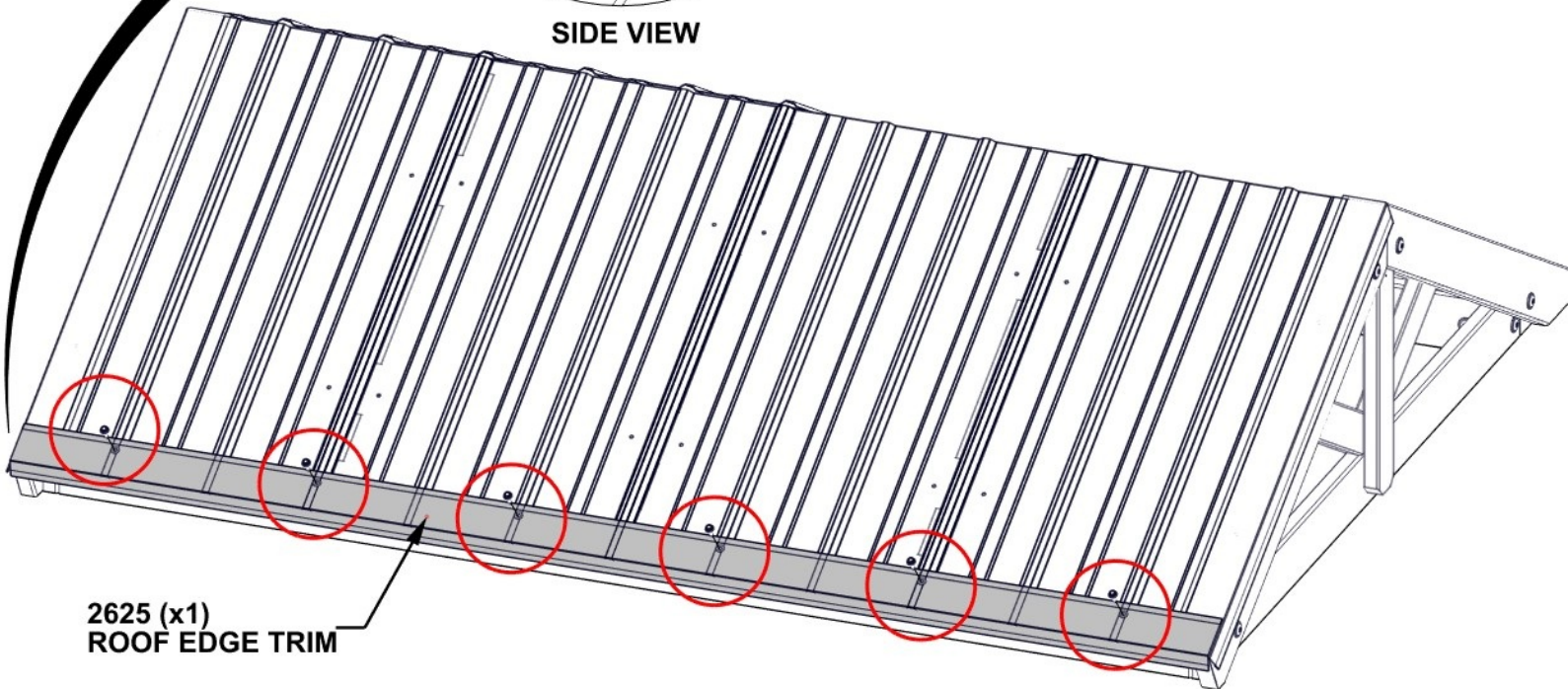
- DUE TO MULTIPLE LAYERS OF METAL ON THE EDGE TRIM, IT IS RECOMMENDED THAT A 1/8" [3mm] DRILL BIT IS USED TO CREATE STARTER HOLES.
- REMOVE PROTECTIVE BLUE FILM.
- **GLOVES SHOULD BE WORN WHEN HANDLING ROOF METAL. EDGES ARE SHARP.**

SCREWS GO THROUGH EDGE TRIM INTO THE TOP OF THE RIBS IN THE APPROXIMATE LOCATIONS SHOWN



1117 (x6)
SCREW WOODGRIP

SIDE VIEW



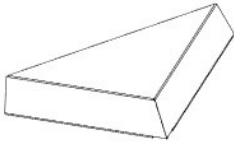
2625 (x1)
ROOF EDGE TRIM

ENSURE THAT BOTH ENDS ARE FLUSH WITH THE EDGES OF ROOF PANELS.

BOTTOM IS HIDDEN FOR DETAIL

STEP 48 C

Qty	PART NUMBER	DESCRIPTION
4	H101117	SCREW WOODGRIP 10-16x3/4"

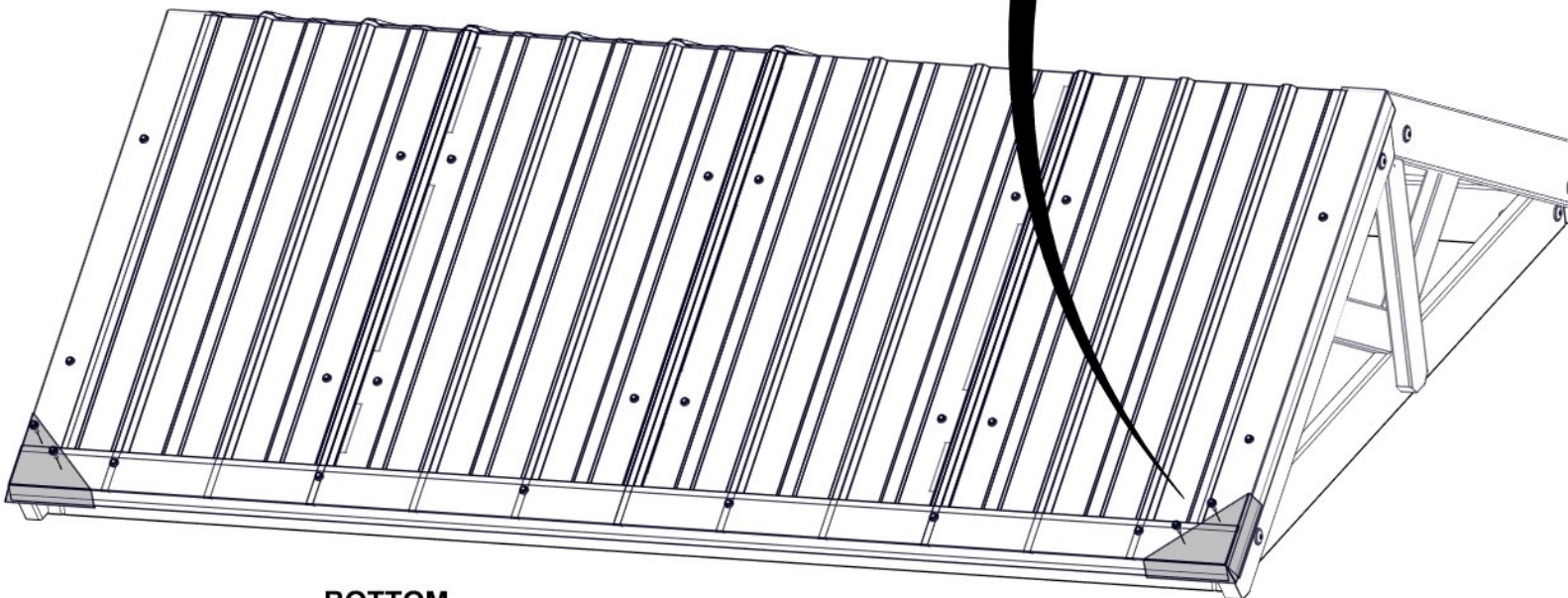
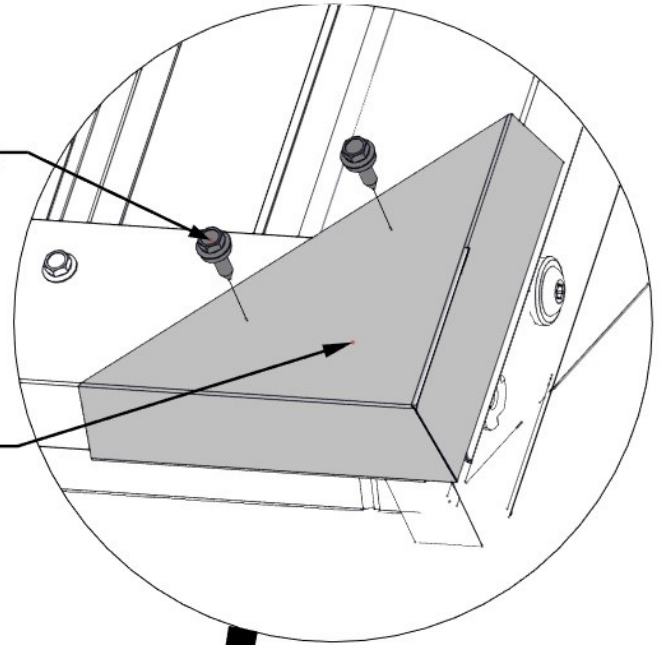


A4M02696 CORNER CAP
(x2)

- DUE TO MULTIPLE LAYERS OF METAL ON THE EDGE TRIM, IT IS RECOMMENDED THAT A 1/8" [3mm] DRILL BIT IS USED TO CREATE STARTER HOLES.
- REMOVE PROTECTIVE BLUE FILM.
- **GLOVES SHOULD BE WORN WHEN HANDLING ROOF METAL. EDGES ARE SHARP.**

1117 (x4)
SCREW WOODGRIP

2696 (x2)
CORNER CAP



**BOTTOM
IS HIDDEN FOR DETAIL**

STEP 49 A

Qty	PART NUMBER	DESCRIPTION
10	H101117	SCREW WOODGRIP 10-16x3/4"

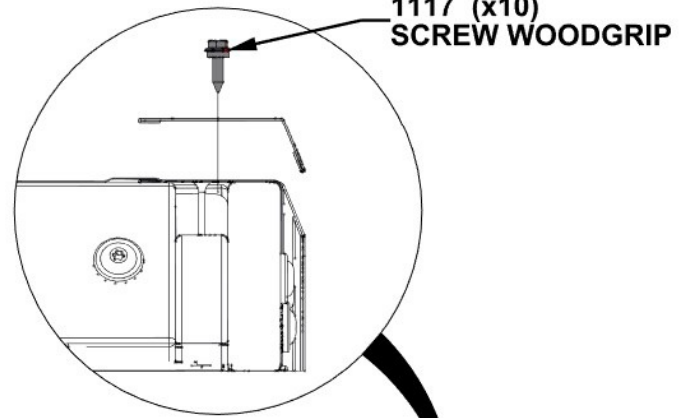


A4M02628 ROOF EDGE TRIM (x1)



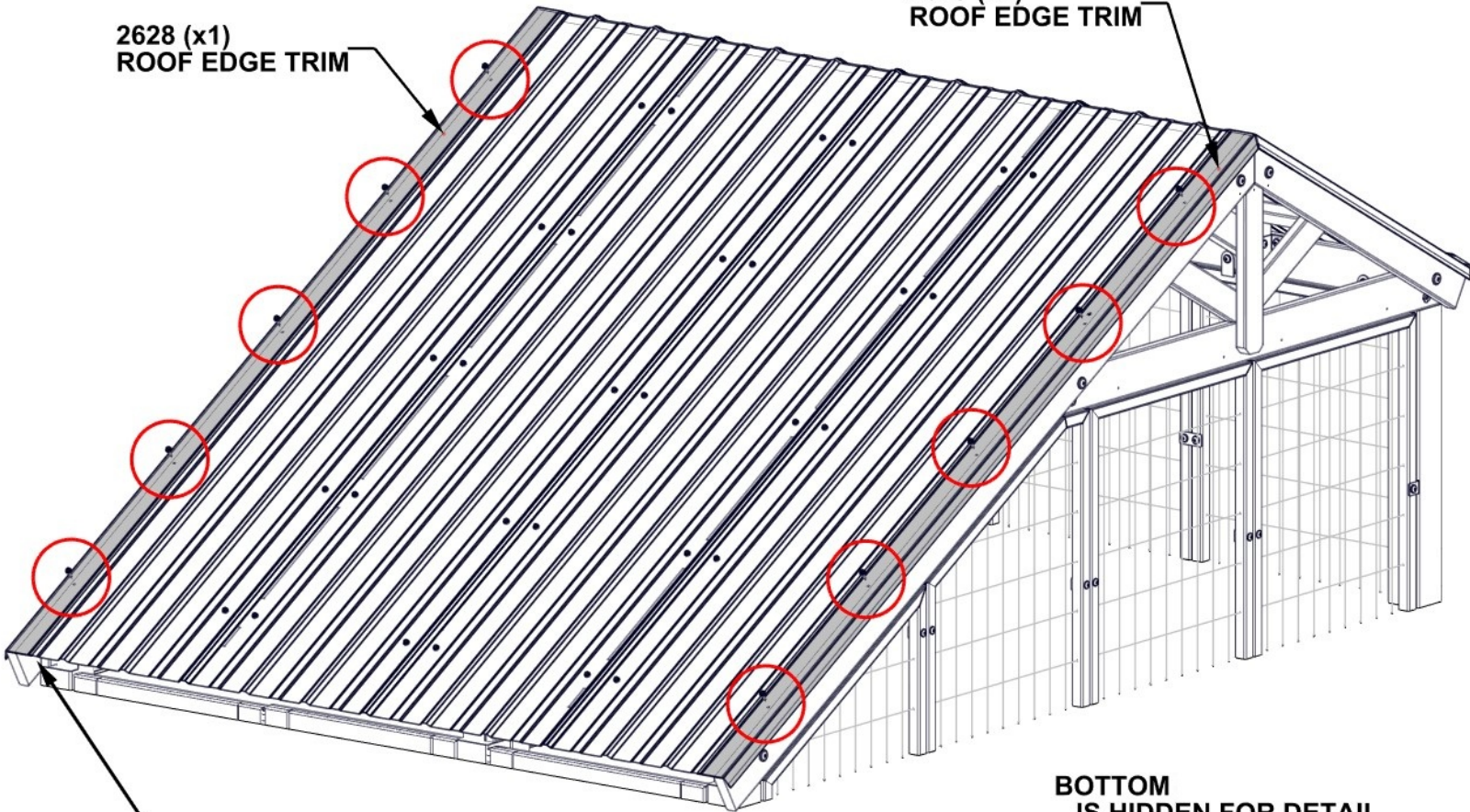
A4M02629 ROOF EDGE TRIM (x1)

- DUE TO MULTIPLE LAYERS OF METAL ON THE EDGE TRIM, IT IS RECOMMENDED THAT A 1/8" [3mm] DRILL BIT IS USED TO CREATE STARTER HOLES.
- REMOVE PROTECTIVE BLUE FILM.
- **GLOVES SHOULD BE WORN WHEN HANDLING ROOF METAL. EDGES ARE SHARP.**



2628 (x1) ROOF EDGE TRIM

2629 (x1) ROOF EDGE TRIM

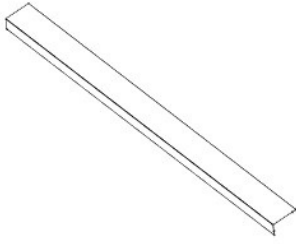


ENDS OF ALL TRIM SHOULD BE FLUSH

BOTTOM IS HIDDEN FOR DETAIL

STEP 49 B

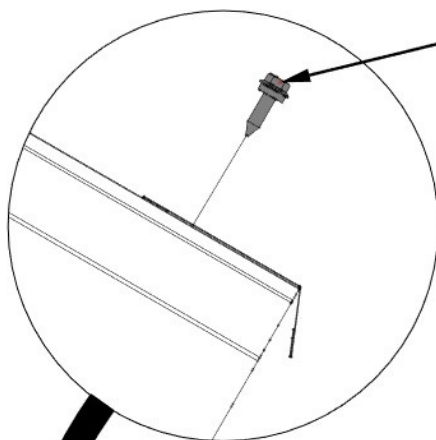
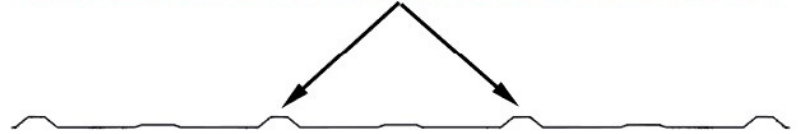
Qty	PART NUMBER	DESCRIPTION
6	H101117	SCREW WOODGRIP 10-16x3/4"



A4M02625 ROOF EDGE TRIM
(x1)

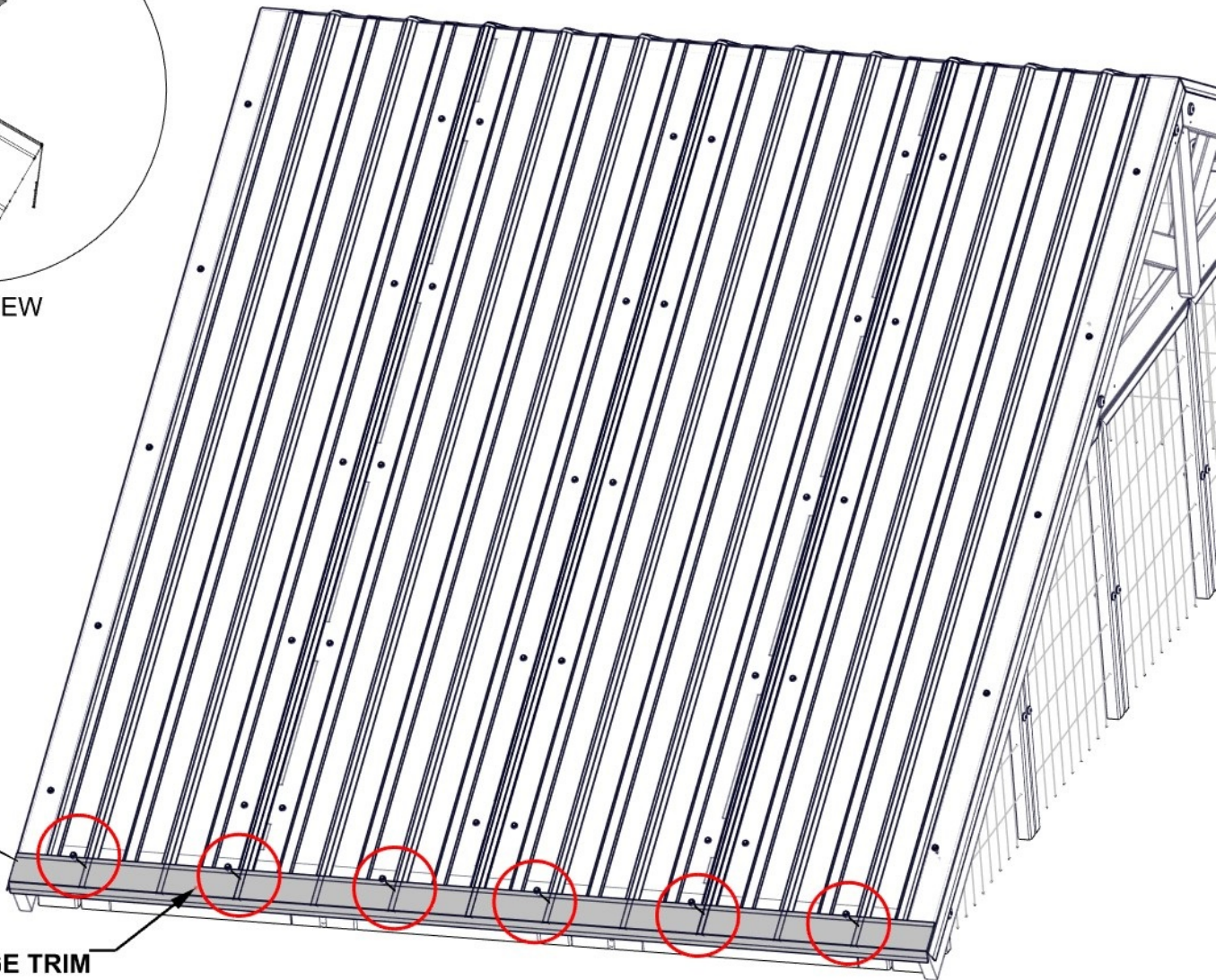
- DUE TO MULTIPLE LAYERS OF METAL ON THE EDGE TRIM, IT IS RECOMMENDED THAT A 1/8" [3mm] DRILL BIT IS USED TO CREATE STARTER HOLES.
- REMOVE PROTECTIVE BLUE FILM.
- **GLOVES SHOULD BE WORN WHEN HANDLING ROOF METAL. EDGES ARE SHARP.**

SCREWS GO THROUGH EDGE TRIM INTO THE TOP OF THE RIBS IN THE APPROXIMATE LOCATIONS SHOWN



1117 (x6)
SCREW WOODGRIP

SIDE VIEW



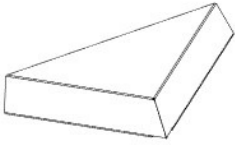
2625 (x1)
ROOF EDGE TRIM

ENSURE THAT BOTH ENDS ARE FLUSH WITH THE EDGES OF ROOF PANELS.

BOTTOM IS HIDDEN FOR DETAIL

STEP 49 C

Qty	PART NUMBER	DESCRIPTION
4	H101117	SCREW WOODGRIP 10-16x3/4"

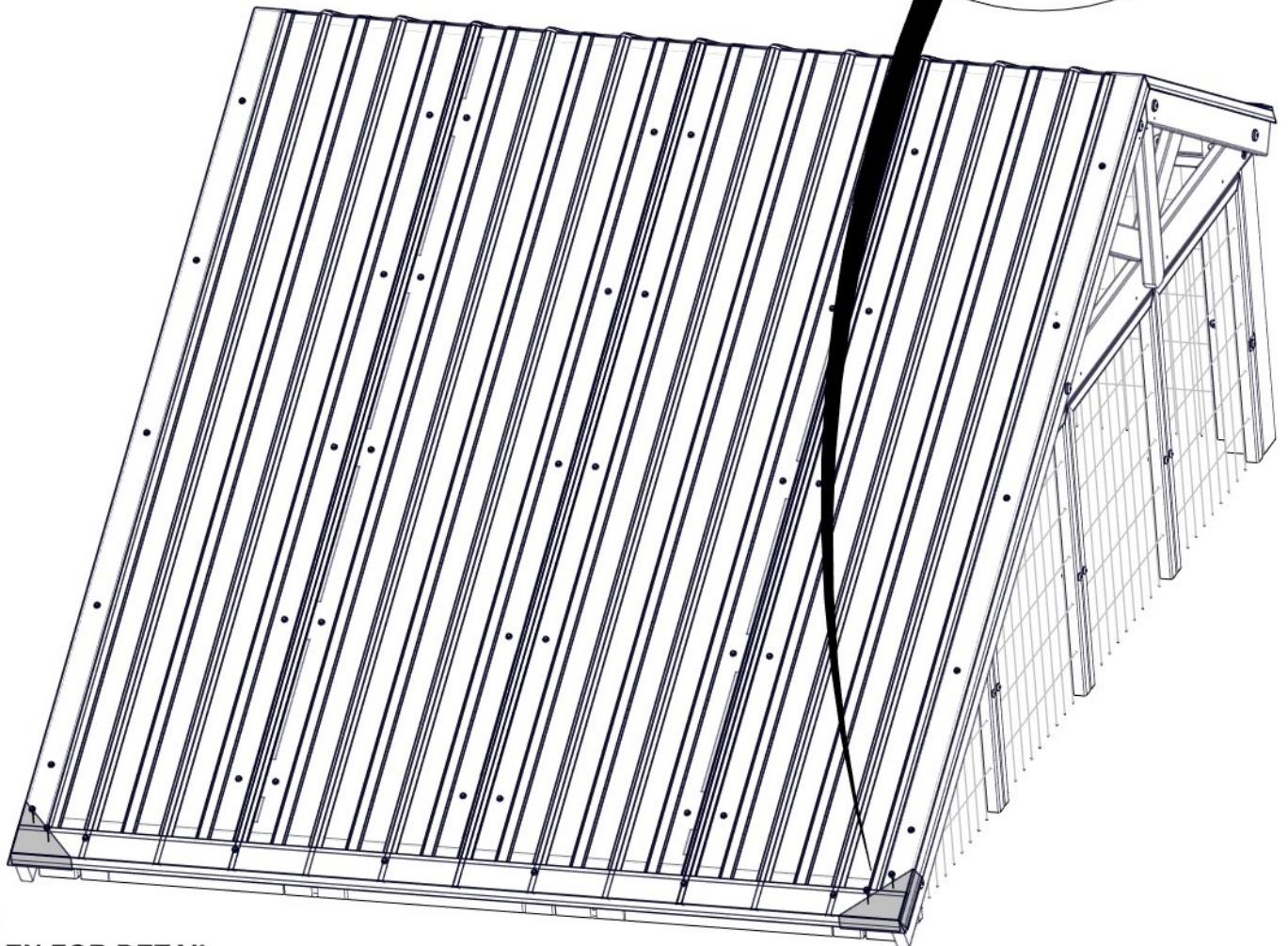
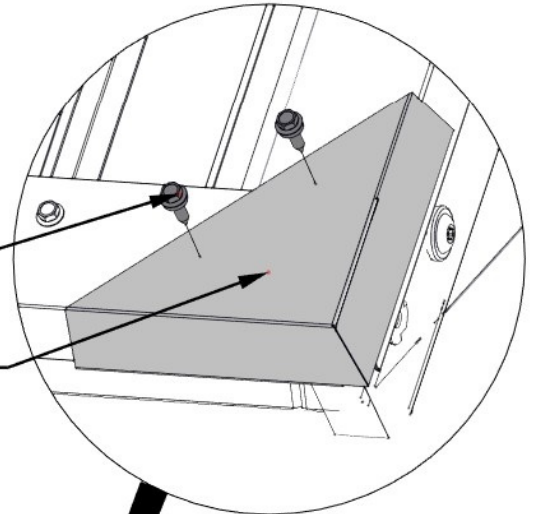


A4M02696 CORNER CAP
(x2)

- DUE TO MULTIPLE LAYERS OF METAL ON THE EDGE TRIM, IT IS RECOMMENDED THAT A 1/8" [3mm] DRILL BIT IS USED TO CREATE STARTER HOLES.
- REMOVE PROTECTIVE BLUE FILM.
- **GLOVES SHOULD BE WORN WHEN HANDLING ROOF METAL. EDGES ARE SHARP.**

1117 (x4)
SCREW WOODGRIP

2696 (x2)
CORNER CAP



**BOTTOM
IS HIDDEN FOR DETAIL**

STEP 50

Qty	PART NUMBER	DESCRIPTION
12	H101117	SCREW WOODGRIP 10-16x3/4"



A4M02624 RIDGE CAP
(x1)

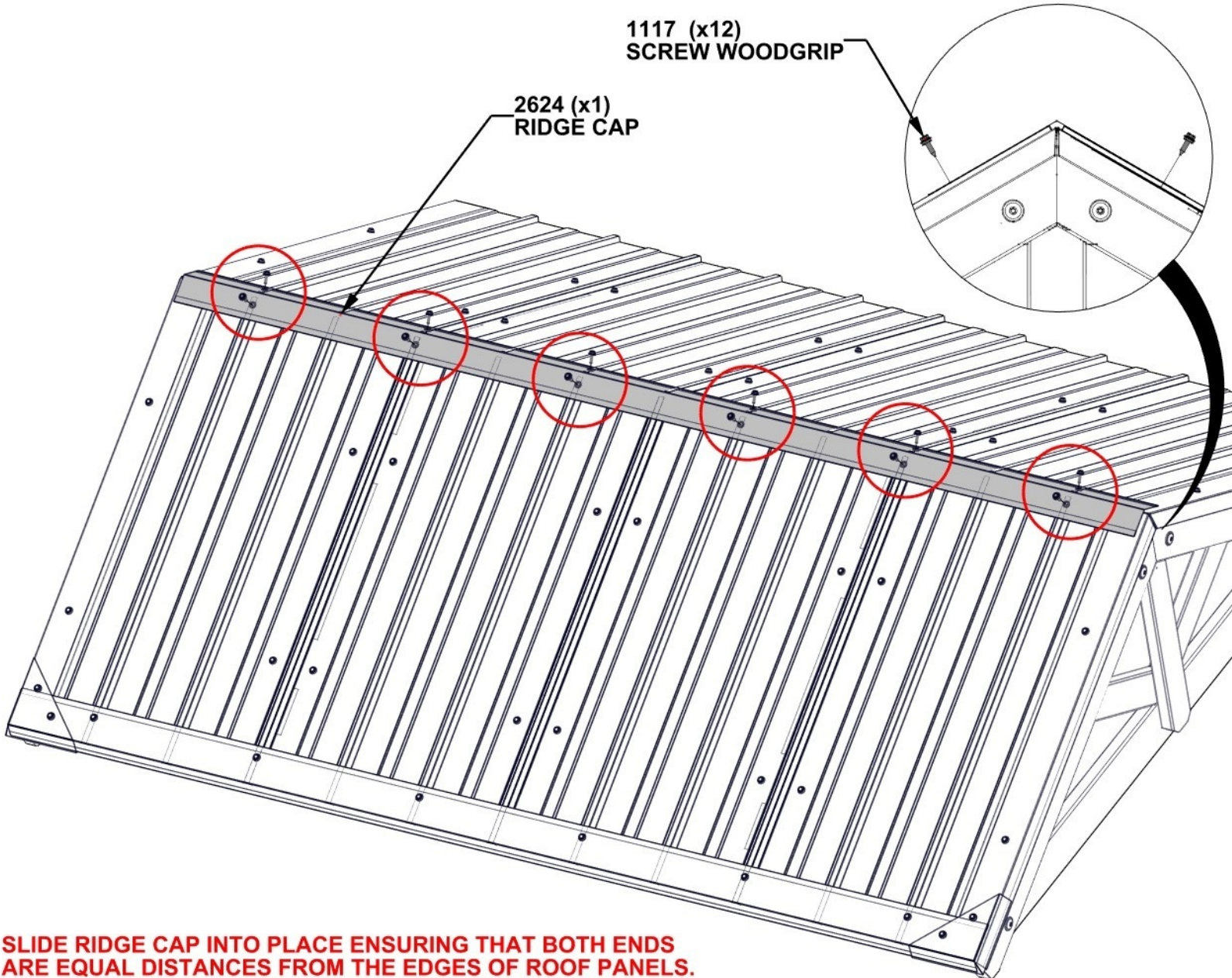
- DUE TO MULTIPLE LAYERS OF METAL ON THE EDGE TRIM, IT IS RECOMMENDED THAT A 1/8" [3mm] DRILL BIT IS USED TO CREATE STARTER HOLES.
- REMOVE PROTECTIVE BLUE FILM.
- **GLOVES SHOULD BE WORN WHEN HANDLING ROOF METAL. EDGES ARE SHARP.**

SCREWS GO THROUGH EDGE TRIM INTO THE TOP OF THE RIBS IN THE APPROXIMATE LOCATIONS SHOWN



1117 (x12)
SCREW WOODGRIP

2624 (x1)
RIDGE CAP

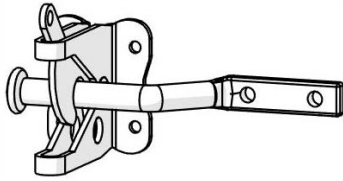


SLIDE RIDGE CAP INTO PLACE ENSURING THAT BOTH ENDS ARE EQUAL DISTANCES FROM THE EDGES OF ROOF PANELS.

BOTTOM IS HIDDEN FOR DETAIL

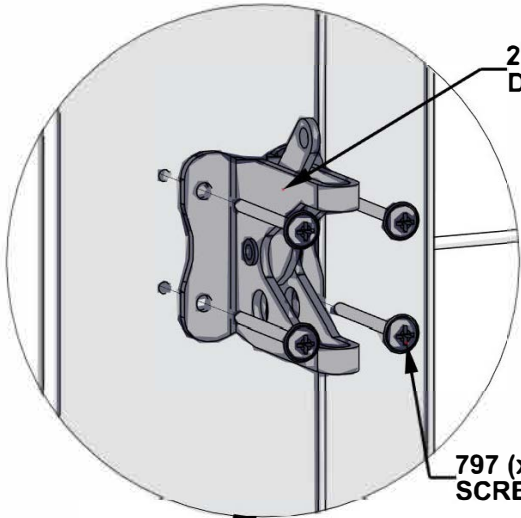
STEP 51

Qty	PART NUMBER	DESCRIPTION
8	H100797	SCREW PWH 8x 1 BLK
4	H100804	T-NUT 8/32
4	H101076	SCREW POH 8-32 x 1 1/4 BLK



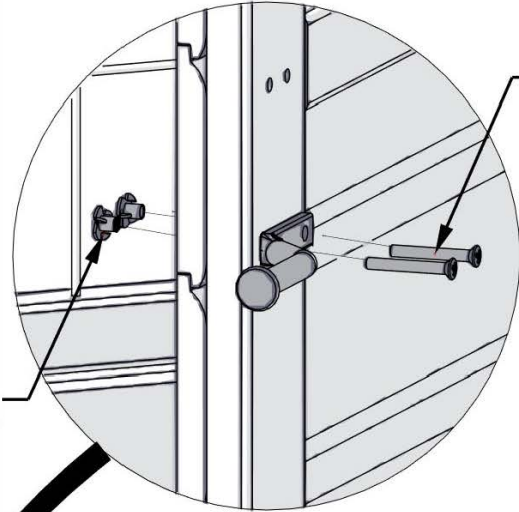
A100264 DOOR LATCH
(x2)

- INSERT T-NUTS FIRST.
- USE PILOT HOLES TO ALIGN SCREWS



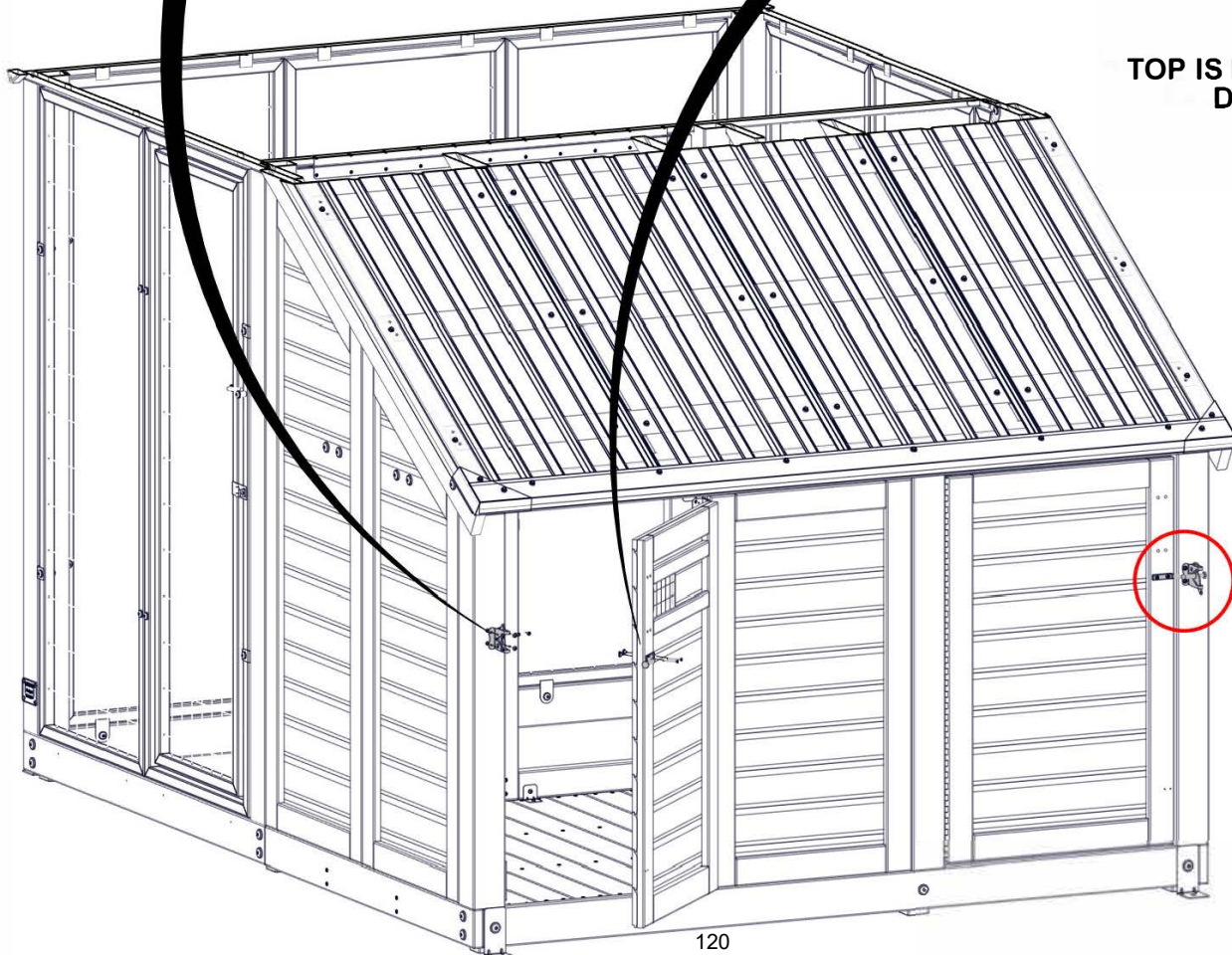
264 (x2)
DOOR LATCH

797 (x8)
SCREW - 1"



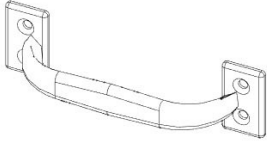
804 (x4)
T-NUT 8-32

1076 (x4)
SCREW - 1 1/4"



TOP IS HIDDEN FOR
DETAIL.

STEP 52

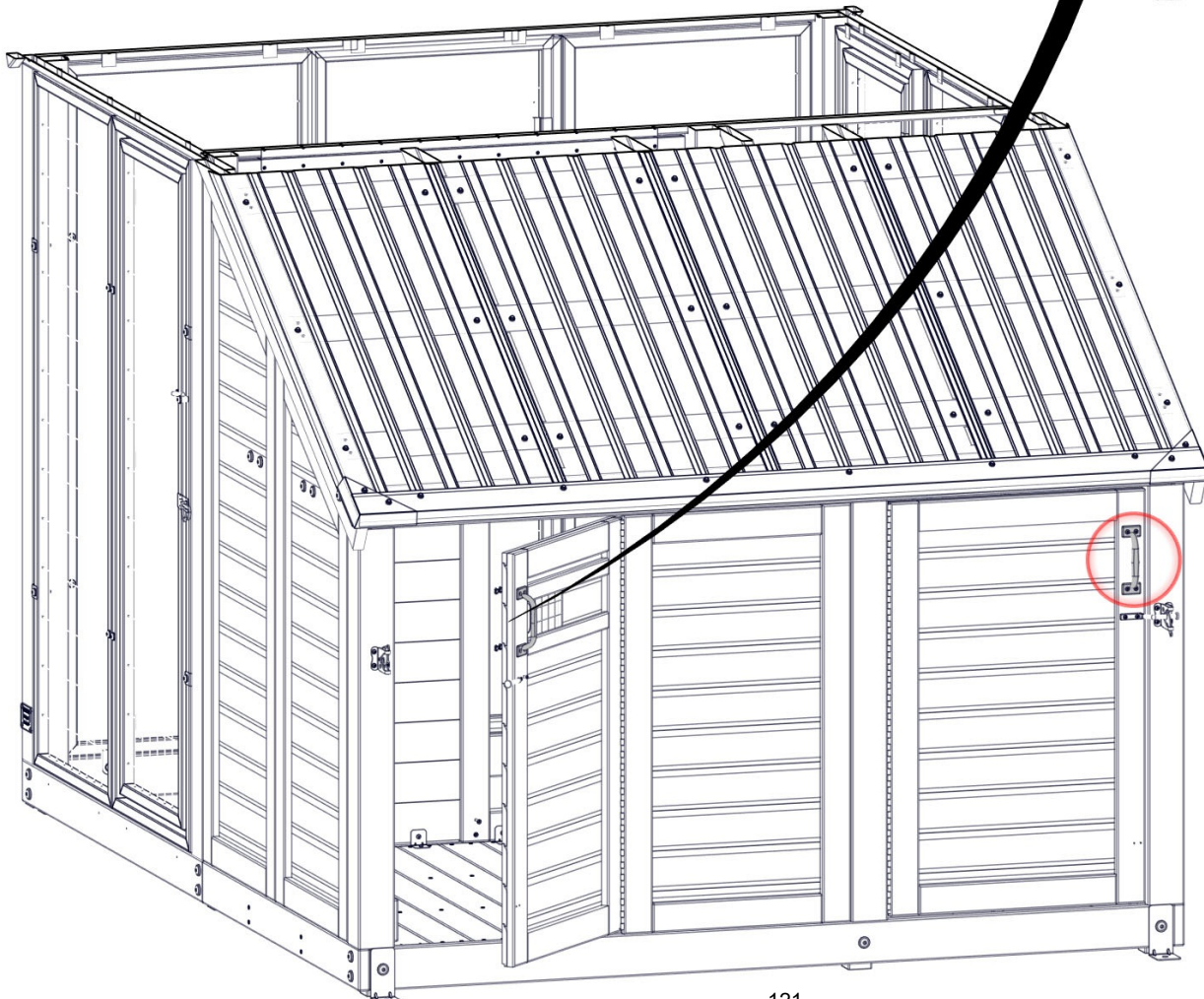
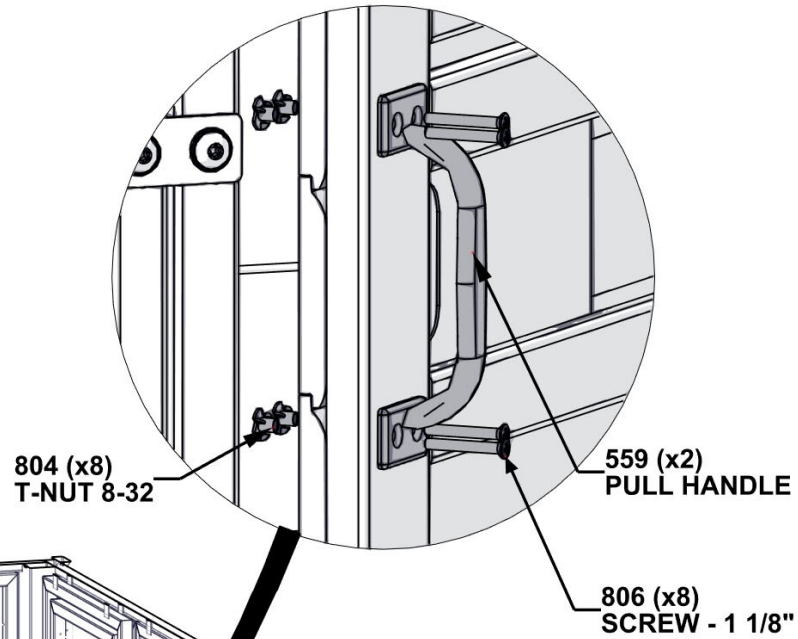


A4M00559 PULL HANDLE
(x2)

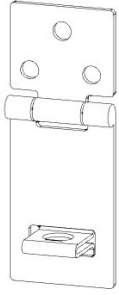
Qty	PART NUMBER	DESCRIPTION
8	H100804	T-NUT 8/32
8	H100806	SCREW POH-MS 8/32x1 1/8" BLK

- INSERT T-NUTS FIRST.

- ALIGN PULL HANDLES WITH PILOT HOLES IN DOORS



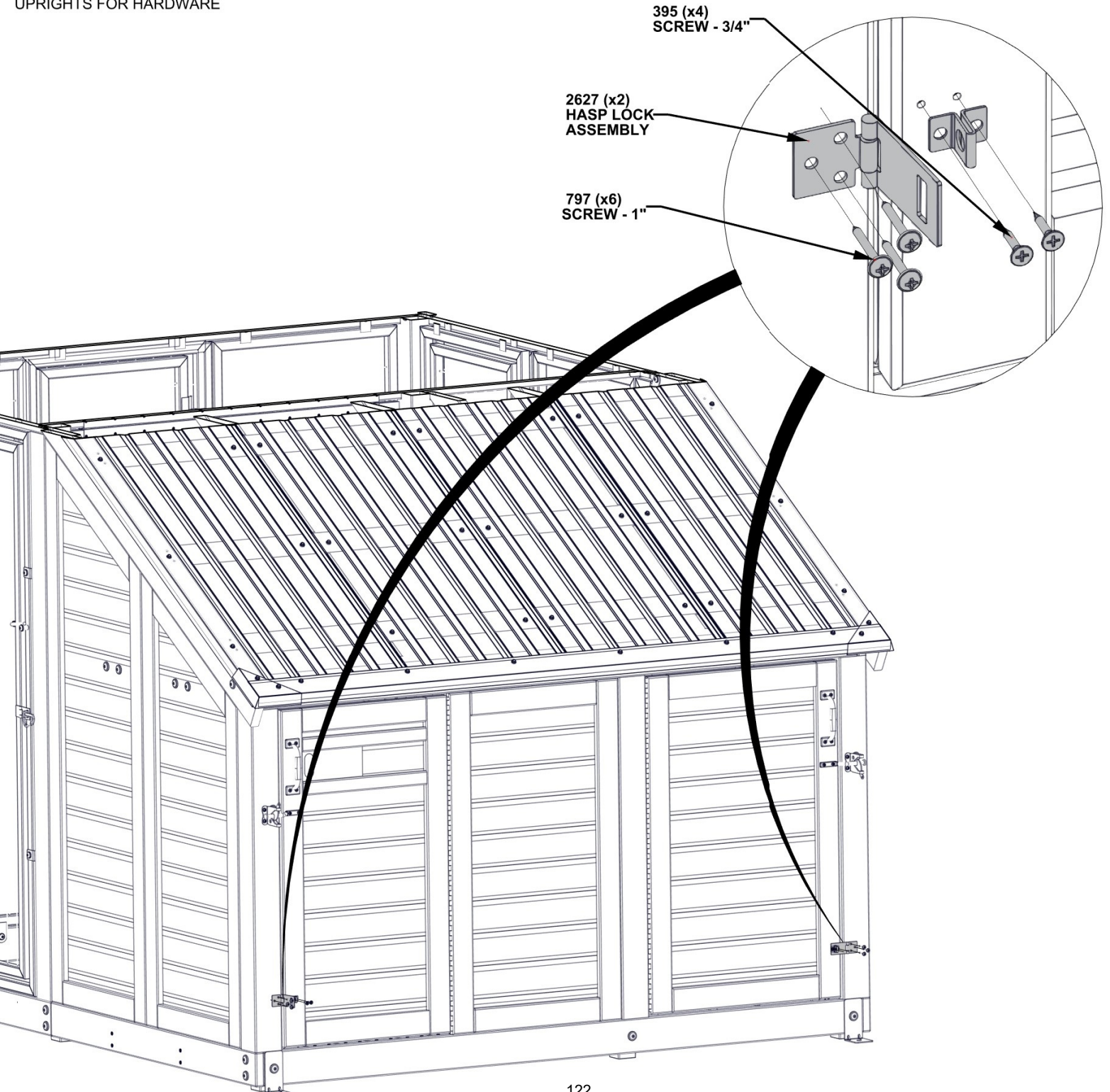
STEP 53



A4M02627 HASP LOCK ASSEMBLY
(x2)

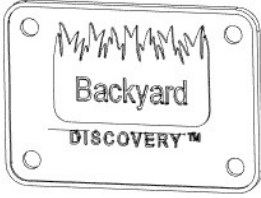
Qty	PART NUMBER	DESCRIPTION
4	H100395	SCREW PFH 8x3/4 BLK
6	H100797	SCREW PWH 8x1 BLK

- USE PILOT HOLES TO ALIGN SCREWS ON THE DOOR PANEL.
- USING THE BRACKET AS A GUIDE, DRILL (3) 1/8" [3mm] HOLE INTO THE UPRIGHTS FOR HARDWARE



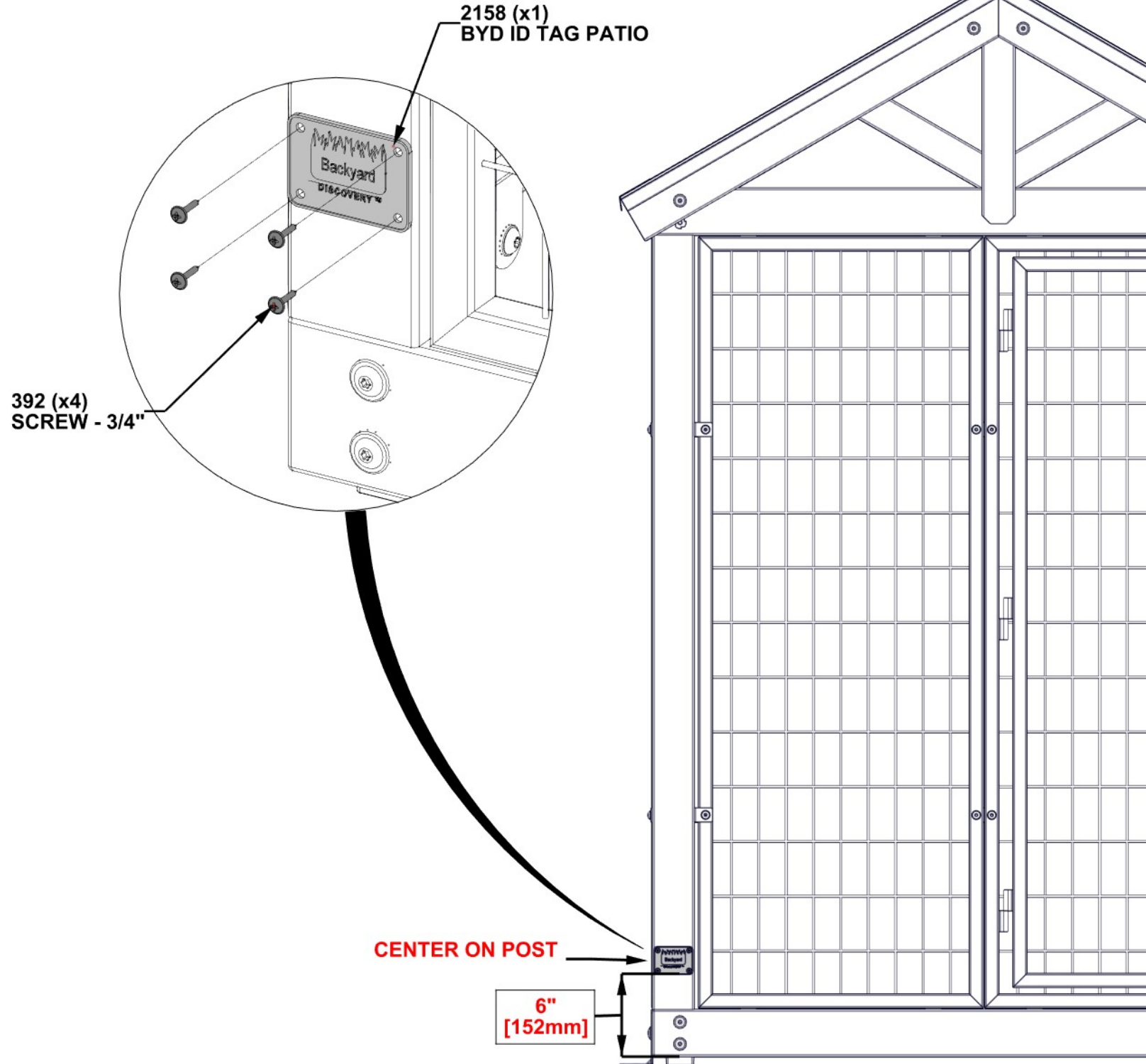
STEP 54

Qty	PART NUMBER	DESCRIPTION
4	H100392	SCREW PWH 8x3/4 BLK

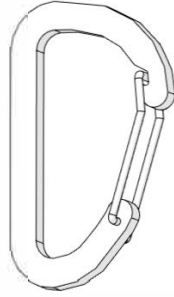


A4M02158 BYD ID TAG PATIO
(x1)

- USE PILOT HOLES TO ALIGN SCREWS



STEP 55

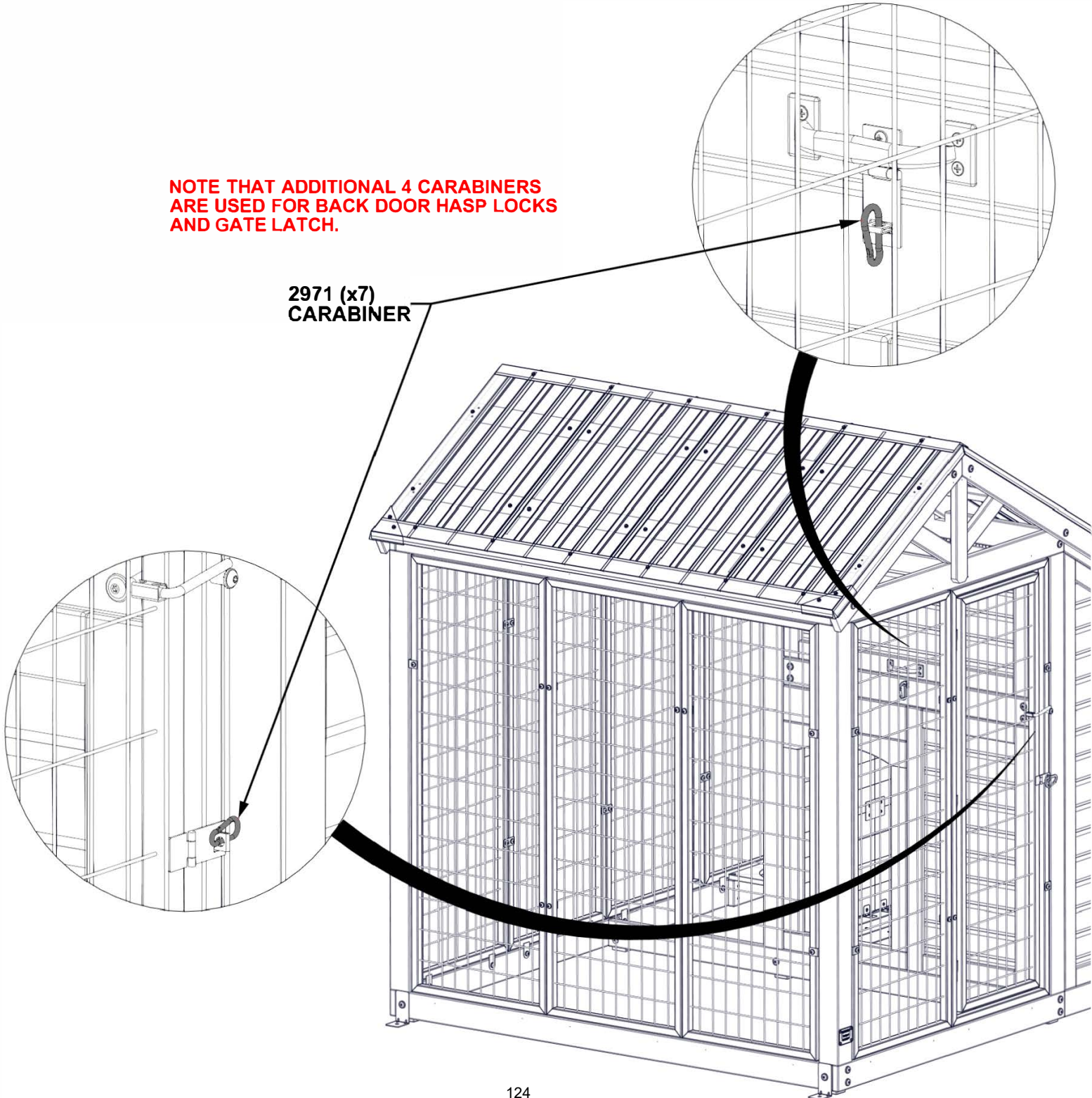


A4M02971 CARABINER
(x7)

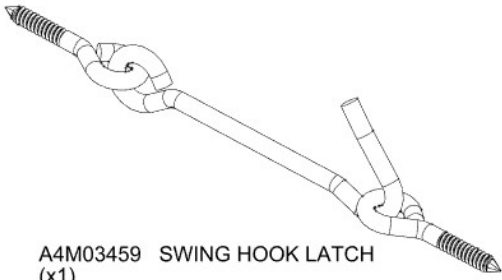
- CARABINERS HAVE BEEN PROVIDED FOR OPTIONAL USE OF SECURING DOOR LATCHES.

**NOTE THAT ADDITIONAL 4 CARABINERS
ARE USED FOR BACK DOOR HASP LOCKS
AND GATE LATCH.**

2971 (x7)
CARABINER

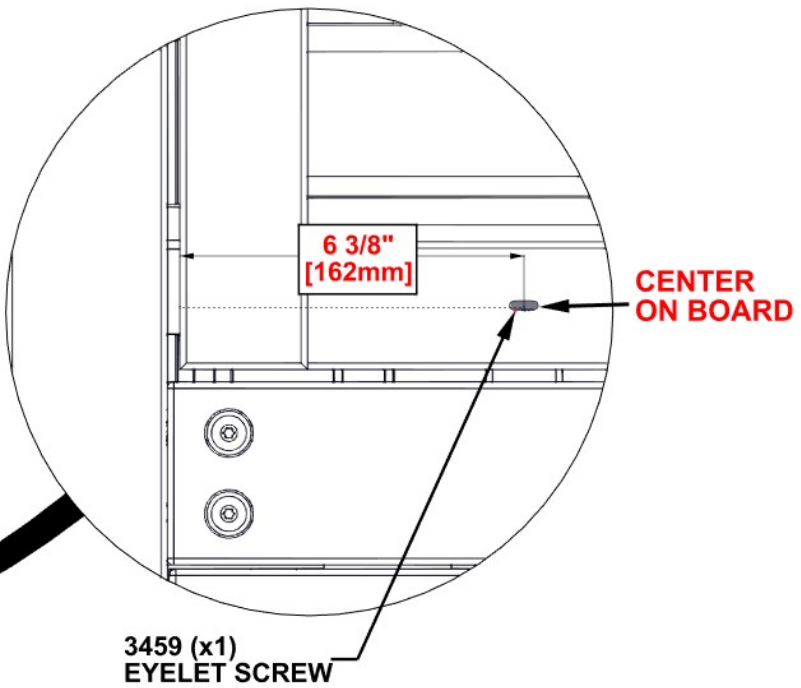
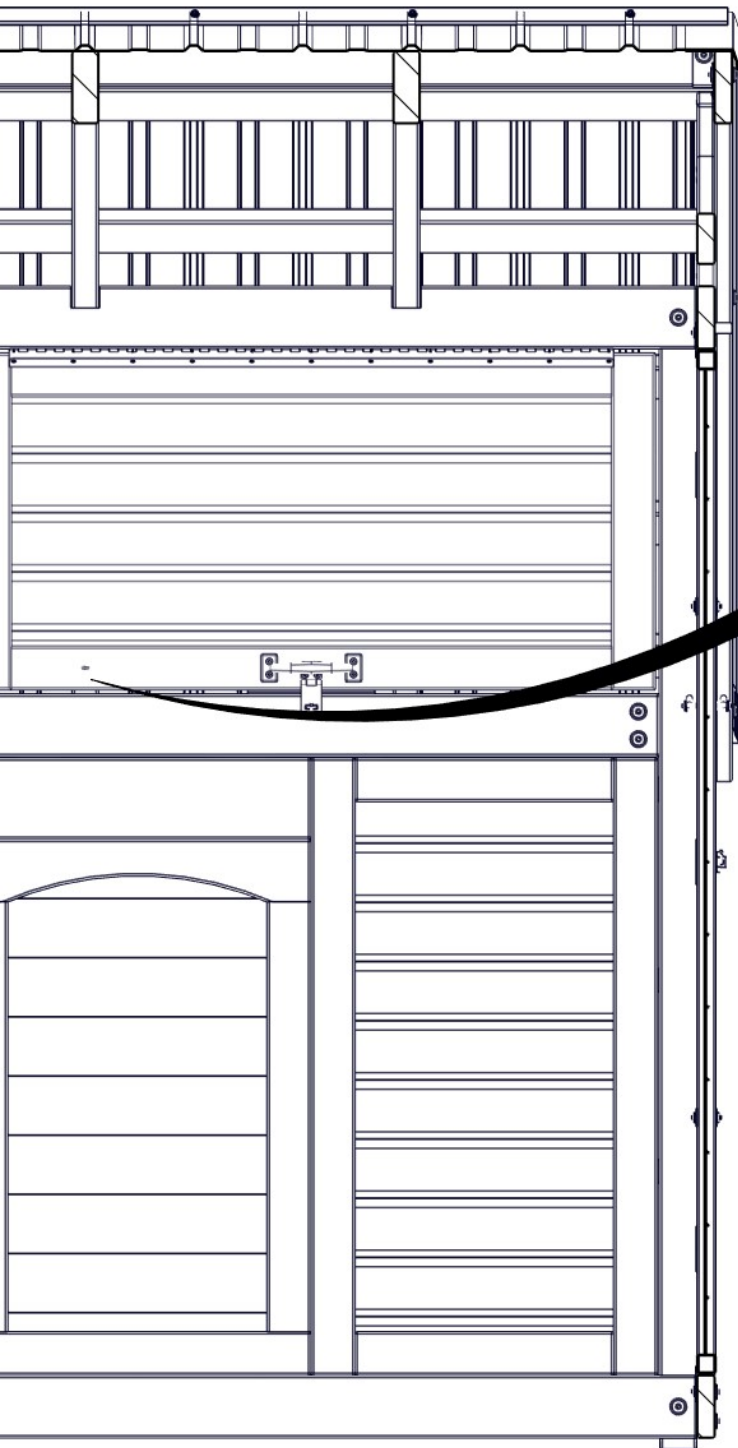


STEP 56A

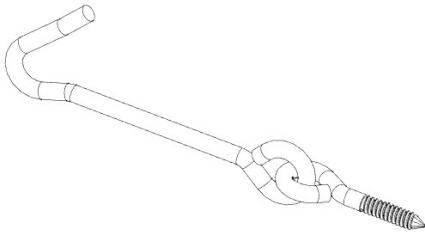


A4M03459 SWING HOOK LATCH
(x1)

- PREDRILL 1/8" [3mm] PILOT HOLES FOR THE ATTACHMENT OF SWING HOOK LATCH
- ATTACH EYELET SCREW & SAVE HOOK FOR NEXT STEP

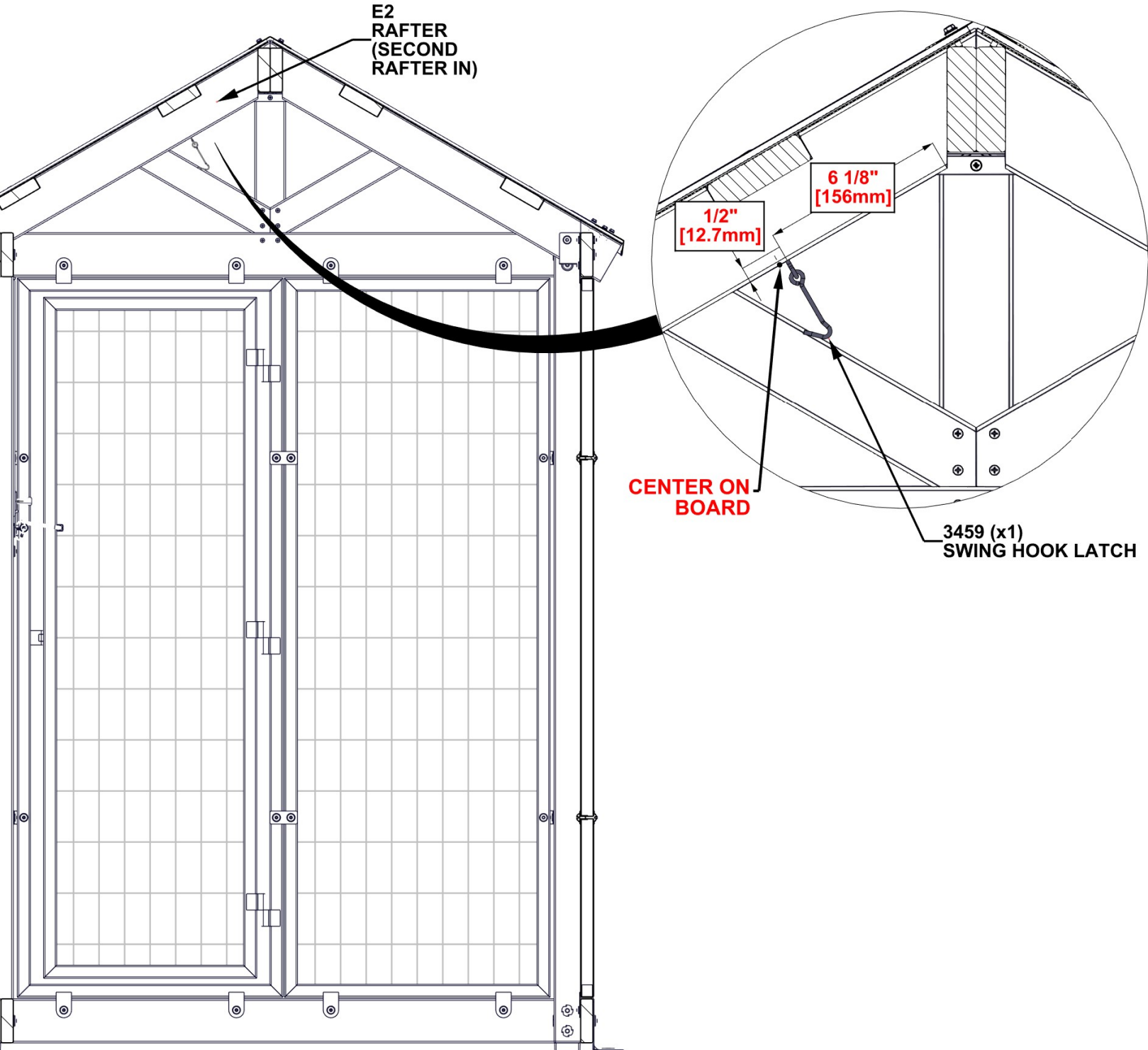


STEP 56 B

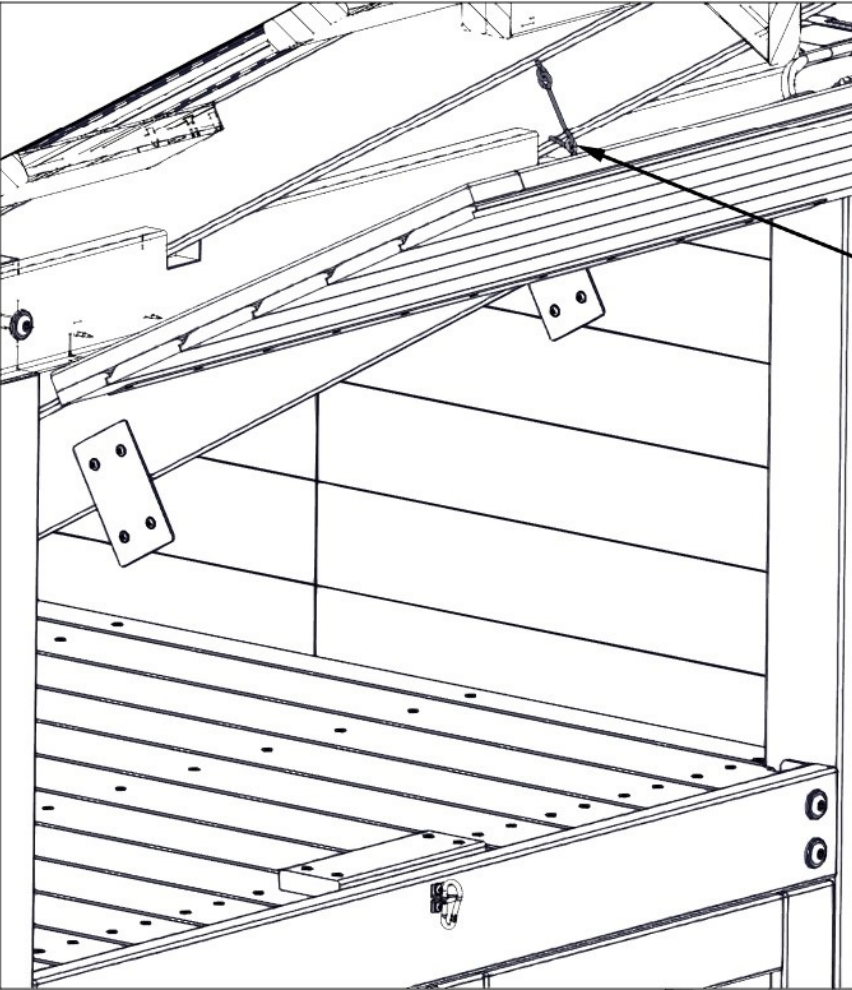


A4M03459 SWING HOOK LATCH
(x1)

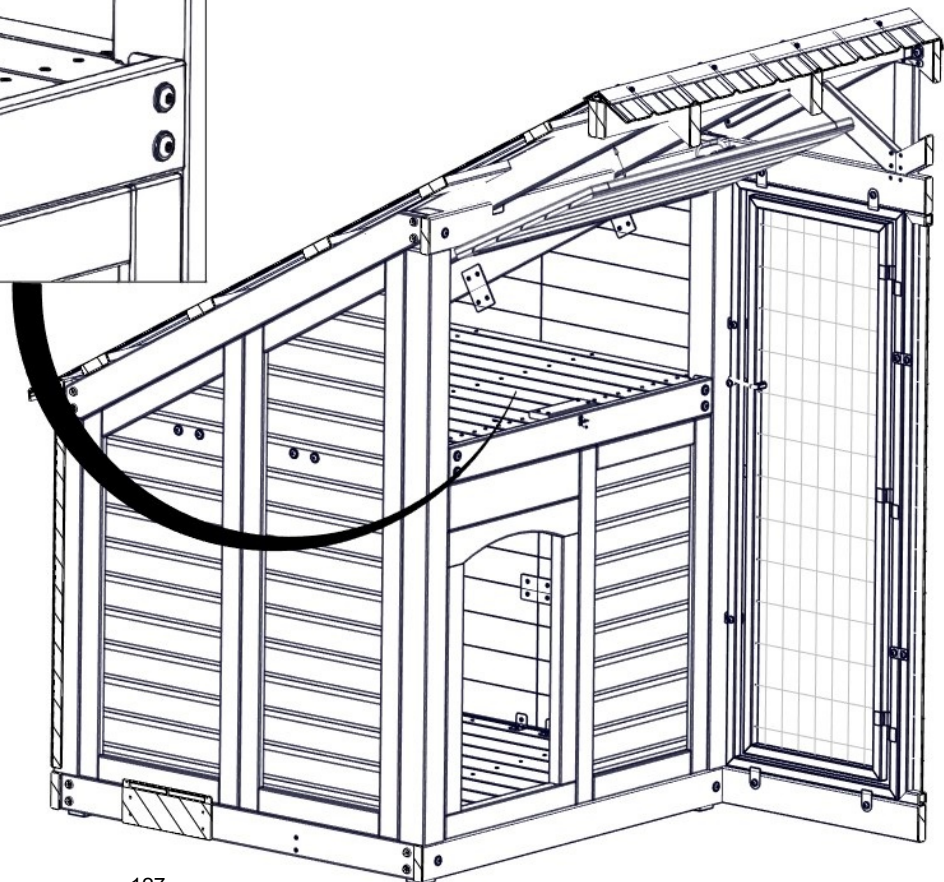
- USE HOOK FROM FROM PREVIOUS STEP



STEP 56 C



AFTER INSTALLING THE SWING HOOK LATCH, YOU CAN SECURE THE STORAGE DOOR IN THE OPEN POSITION AS SHOWN. PLEASE NOTE THAT THE MANUFACTURER RECOMMENDS KEEPING THE STORAGE DOOR CLOSED WHEN NOT IN USE.



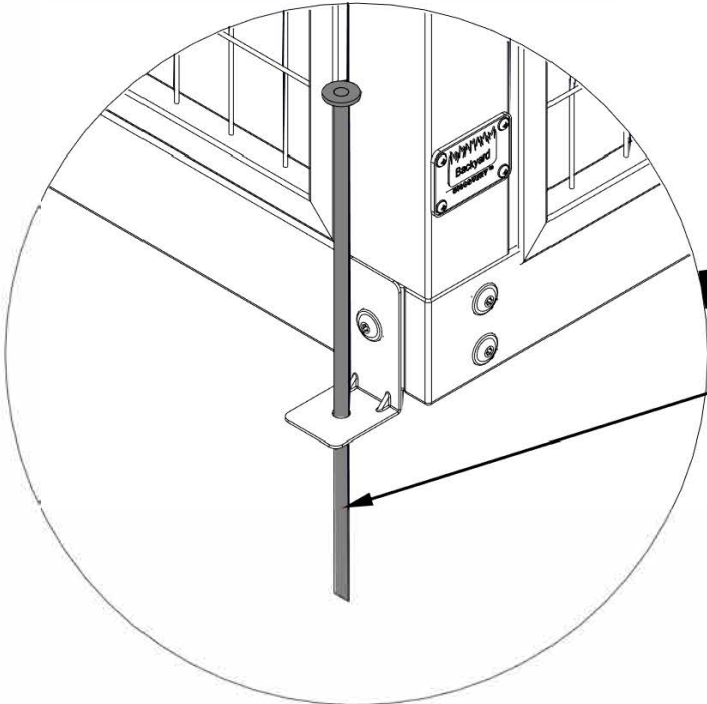
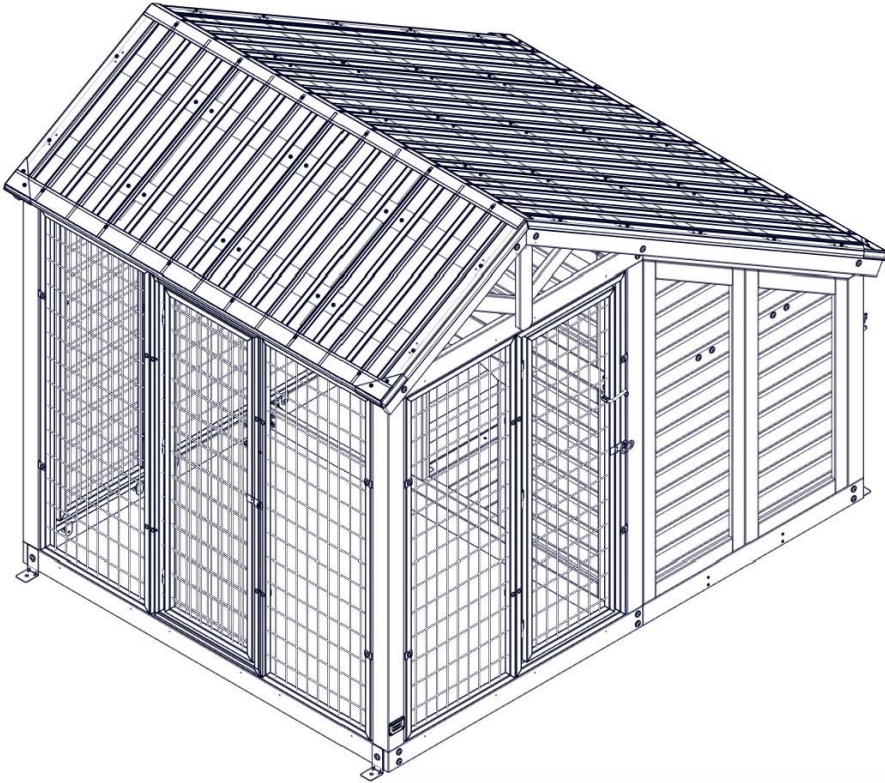
FRONT & LEFT IS HIDDEN FOR DETAIL

STEP 57 A - ANCHORING IN GROUND



A4M02091 GROUND STAKE
(x4)

IF DOG KENNEL IS ON A CONCRETE SURFACE, SEE STEP 57 B FOR ANCHORING STRUCTURE.

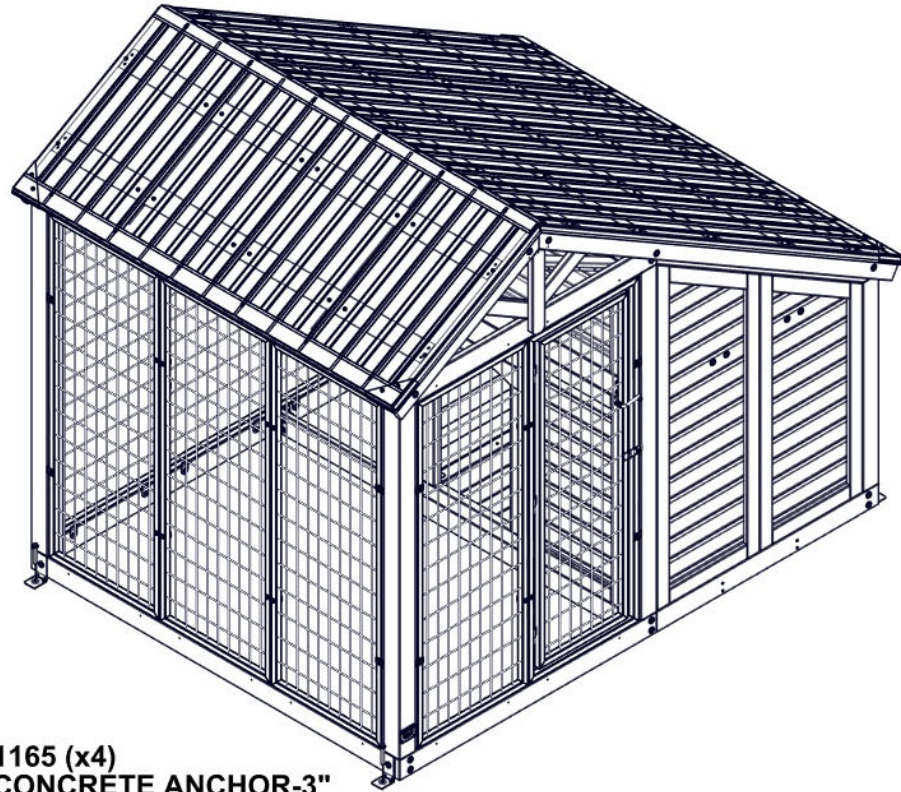


2091 (4x)
GROUND STAKE

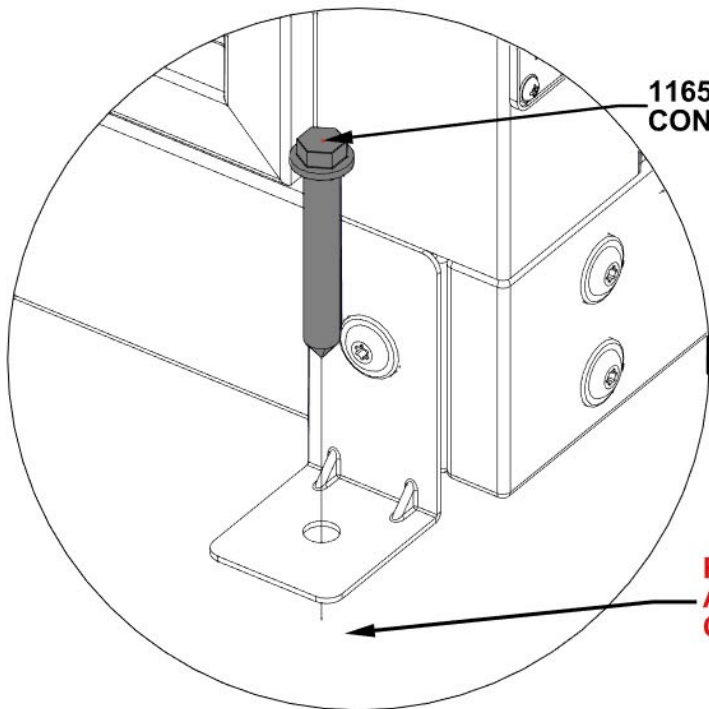
STEP 57 B

Qty	PART NUMBER	DESCRIPTION
4	H101165	CONCRETE ANCHOR 3/8x3" BLK

**IF ENCLOSURE IS ON A CONCRETE SURFACE, SEE STEP 57 A FOR ANCHORING STRUCTURE.
IT IS RECOMMENDED TO ANCHOR ONTO CONCRETE PAD OR POSTS.**



1165 (x4)
CONCRETE ANCHOR-3"



PRE-DRILL FOR CONCRETE ANCHORS USING A 5/16" [8mm] CONCRETE DRILL BIT