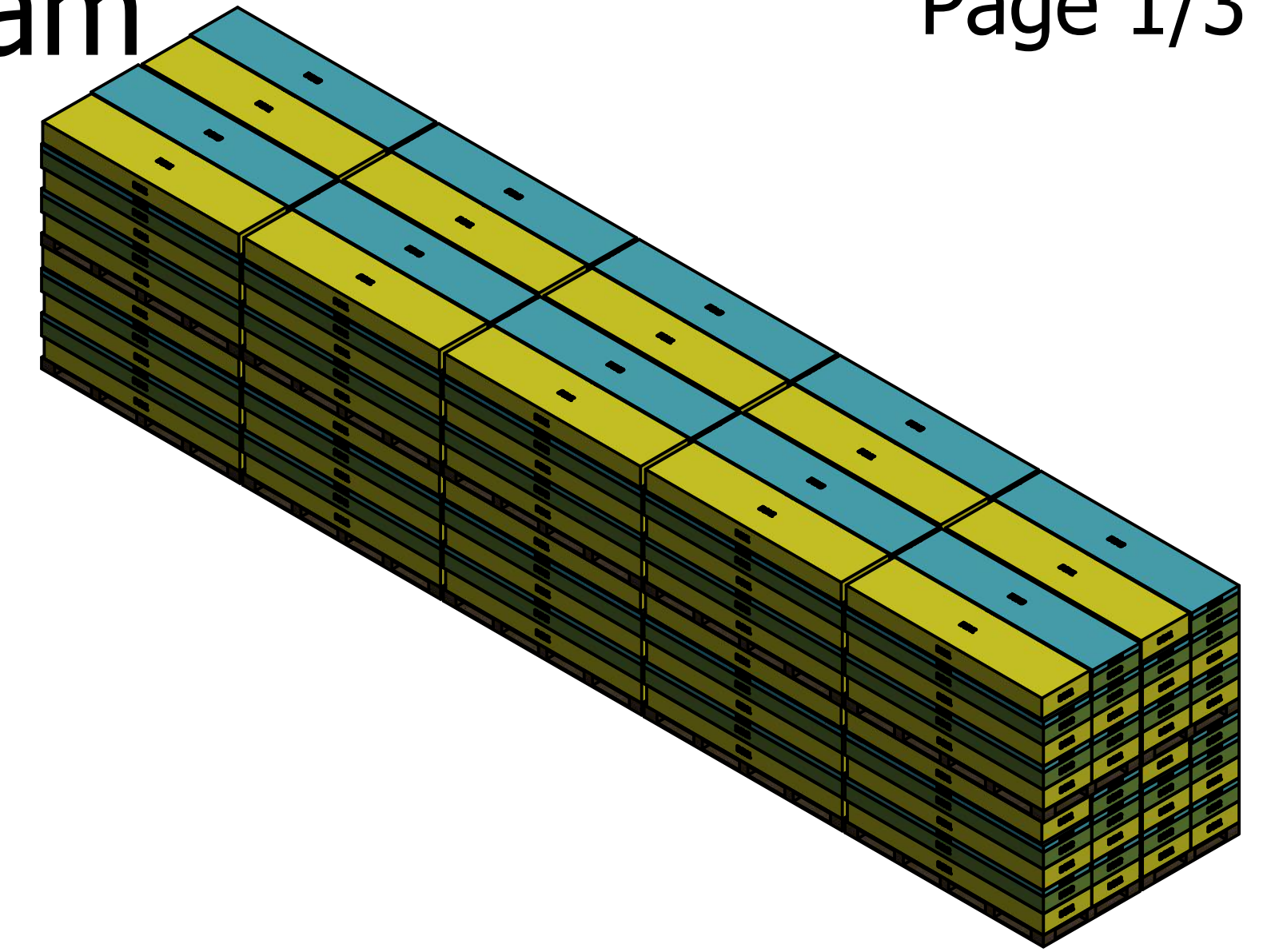
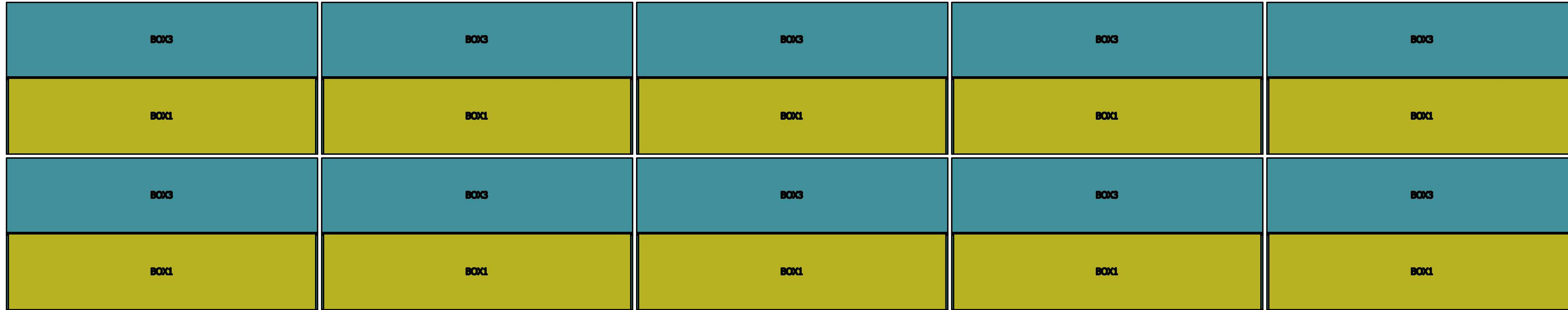


# 2506190 & 2506190-V GRILL GAZEBO XL Container Loading Diagram

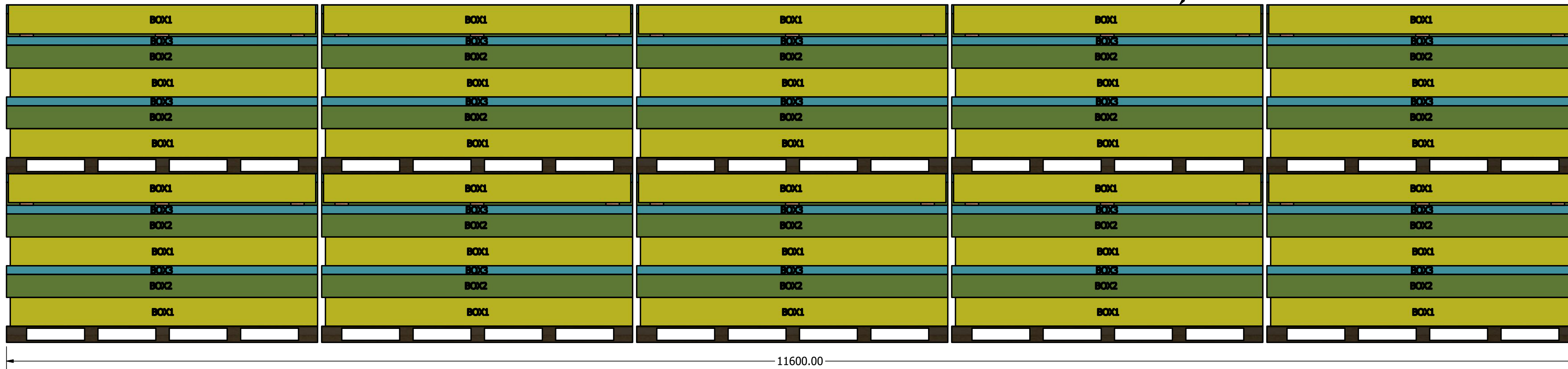
( 1 unit=3 boxes, 100 units/40HQ, 20 pallets/ 40HQ, Gross weight: 21700kg)



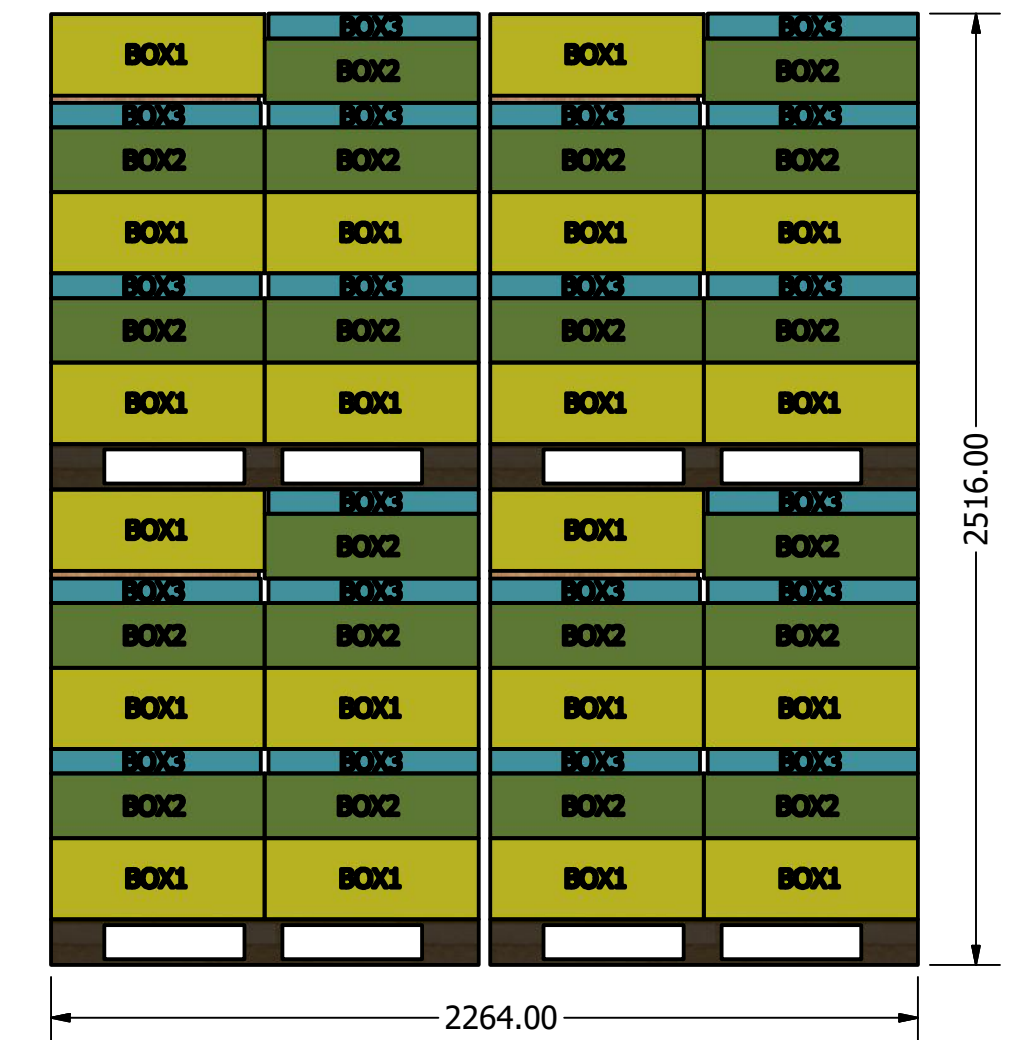
Top view



Side view



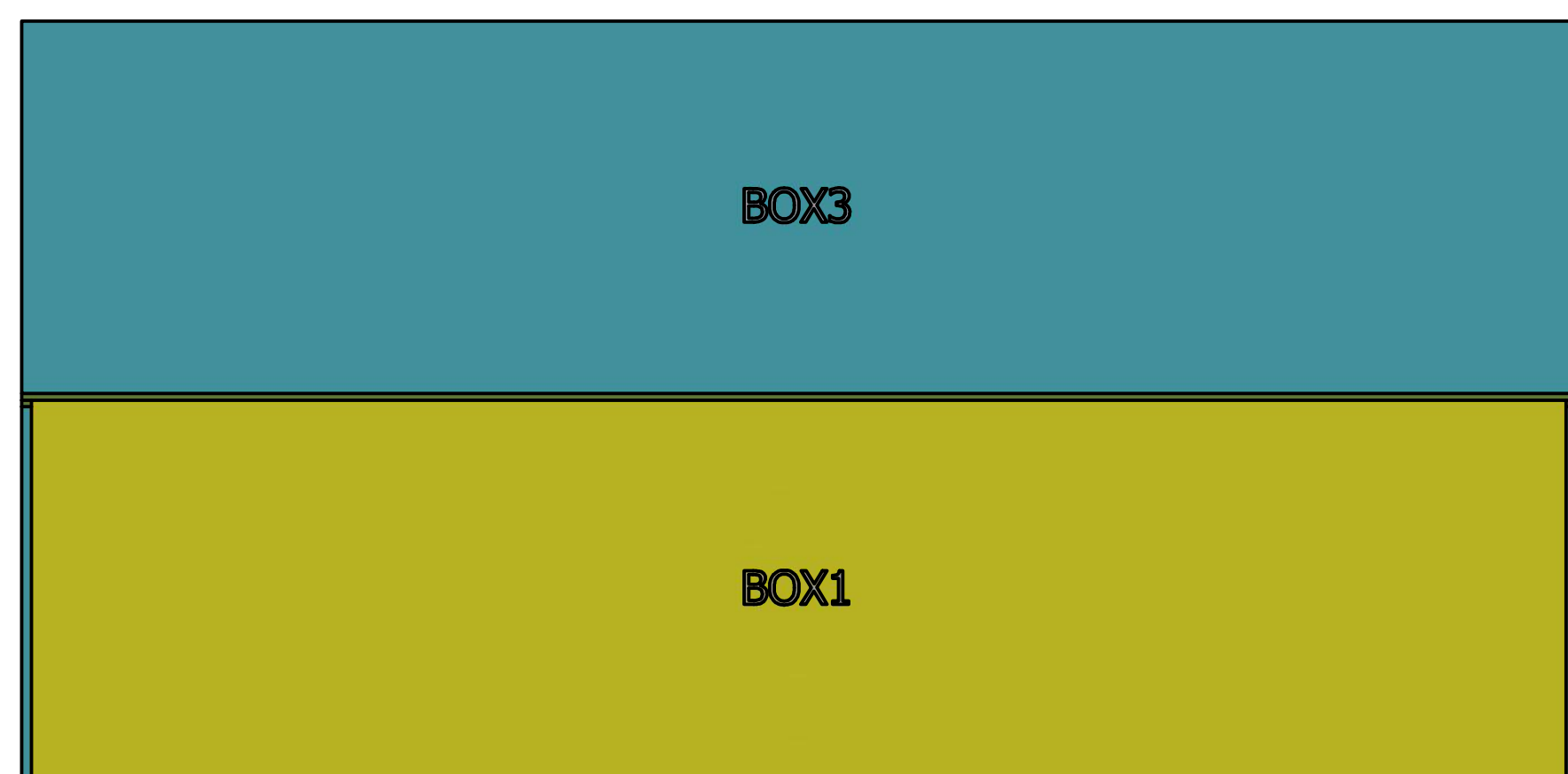
End view



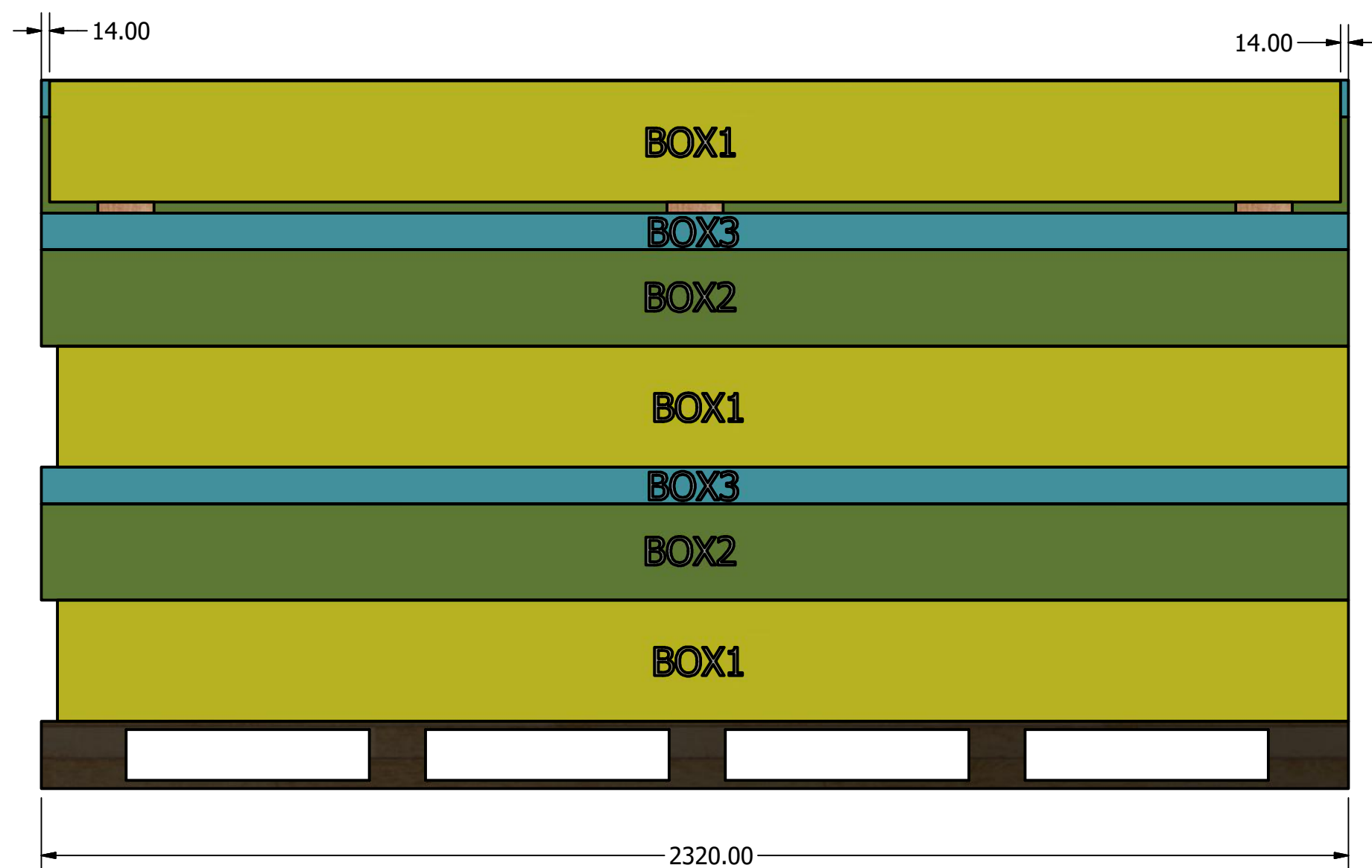
DRAWN Rudy		TITLE		
CHECKED				
QA		SIZE D	DWG NO	REV
MFG				
APPROVED		SCALE 1 : 20		
		SHEET 1 OF 1		

# Pallet A detail (5 sets)

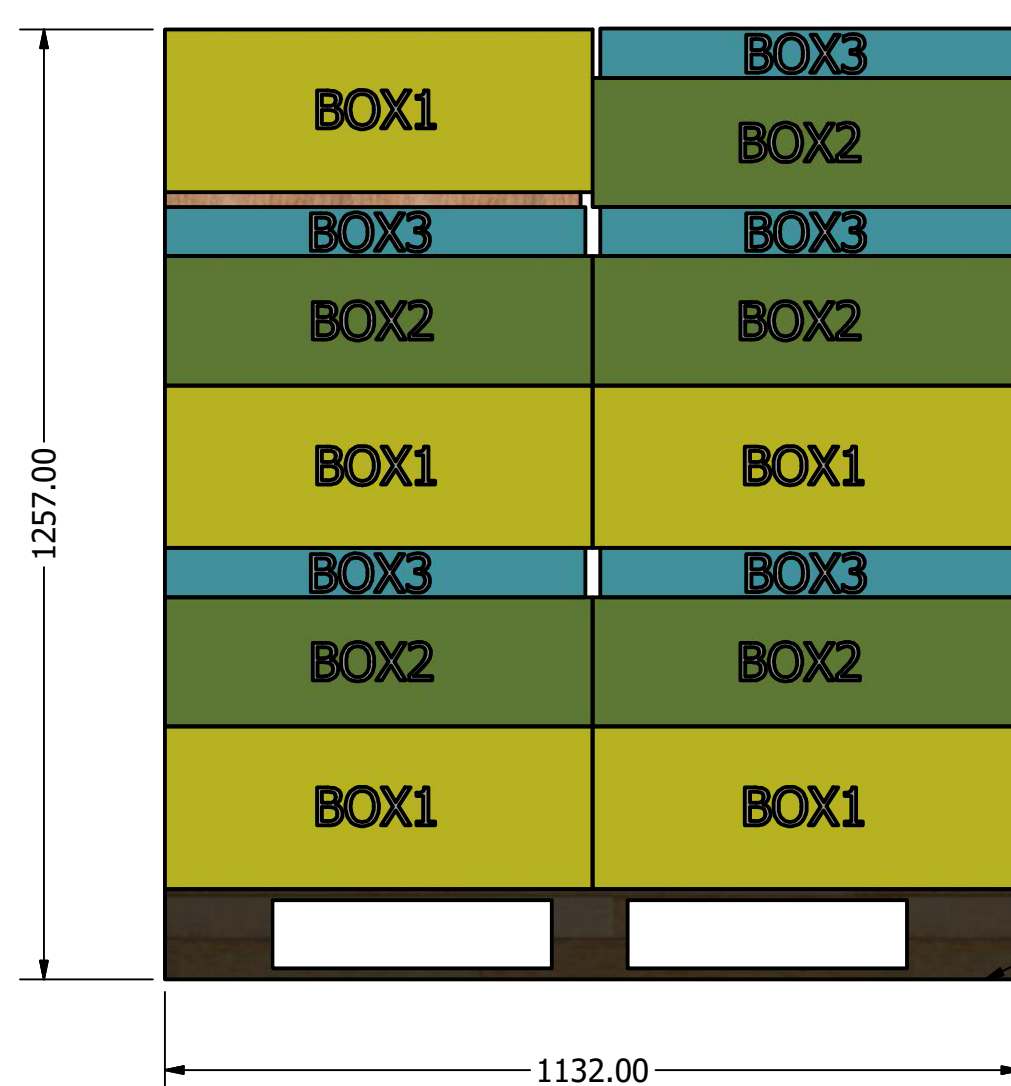
Top View



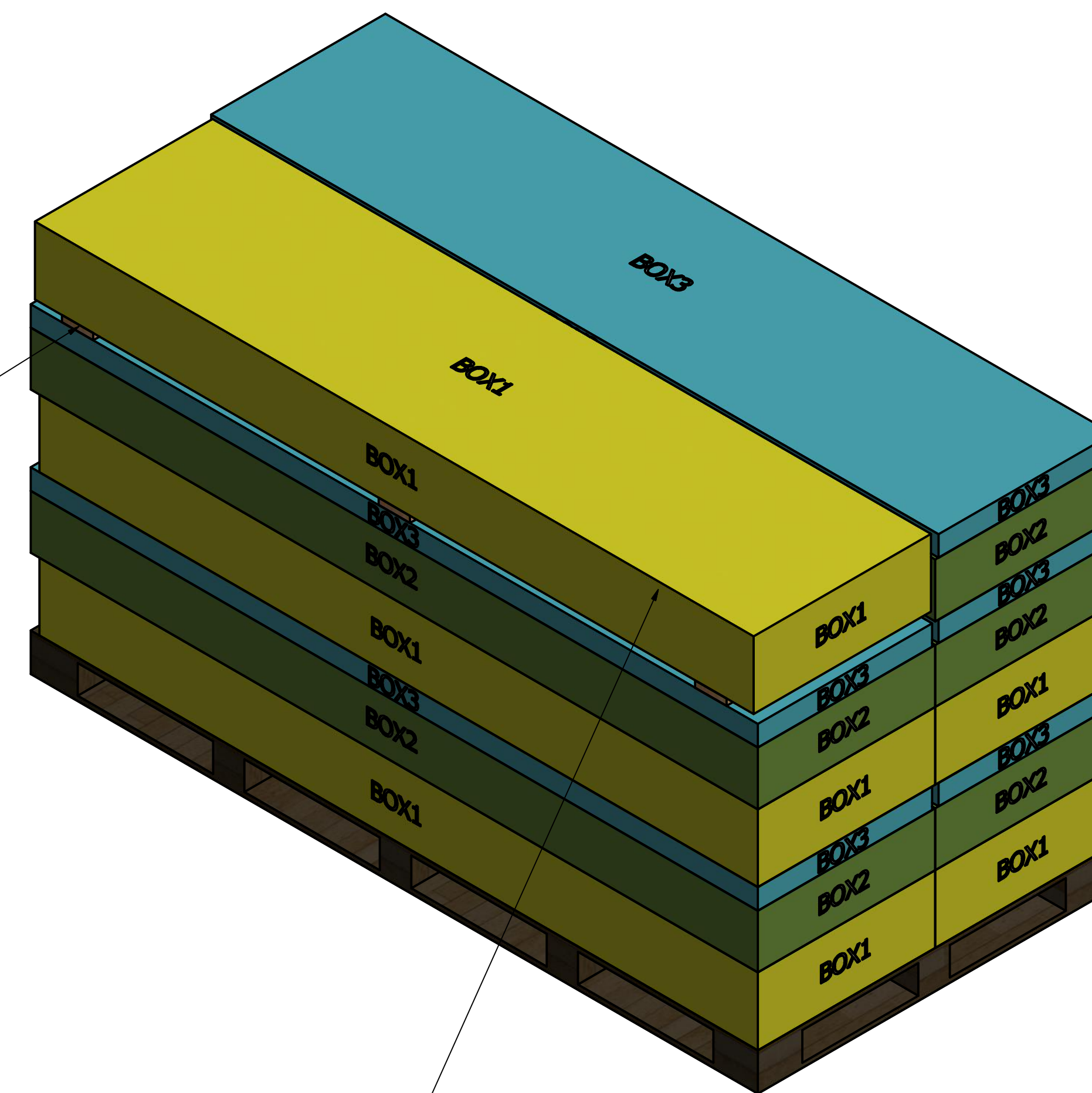
Side View



End View



胶合板块\* 3片 Plywood \* 3pcs  
550mm\*100mm\*18mm



注意：每托最顶上这盒BOX1需保证都是  
盒子内长边有板的这一侧是朝向托盘的外侧的。

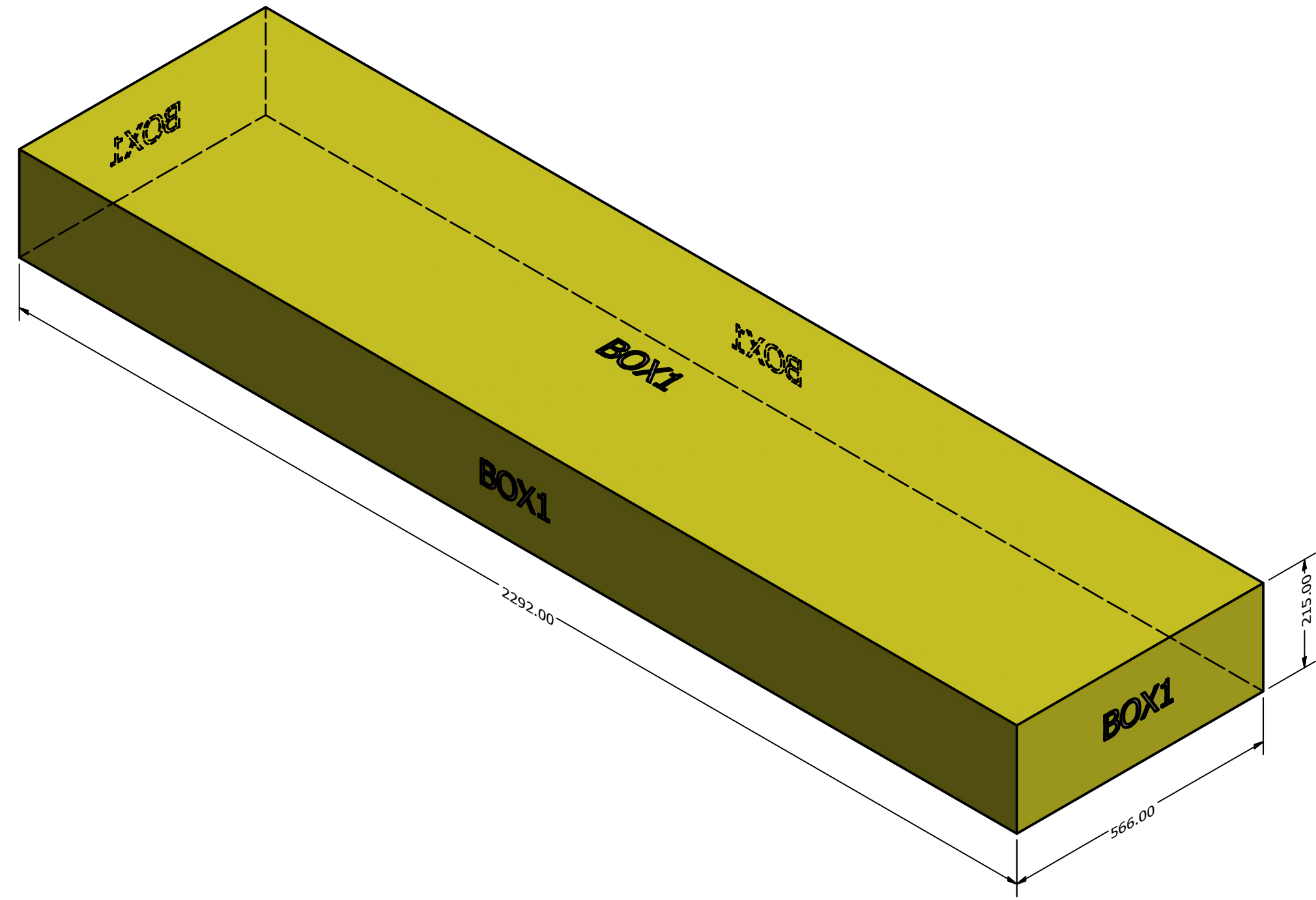
Solid wood pallet part number: PKG101011  
实木托盘料号: PKG101011

DRAWN Rudy		TITLE	
CHECKED			
QA			
MFG			
APPROVED			
		SIZE D	DWG NO Pallet A
		SCALE 0.1 : 1	REV
		SHEET 1 OF 1	

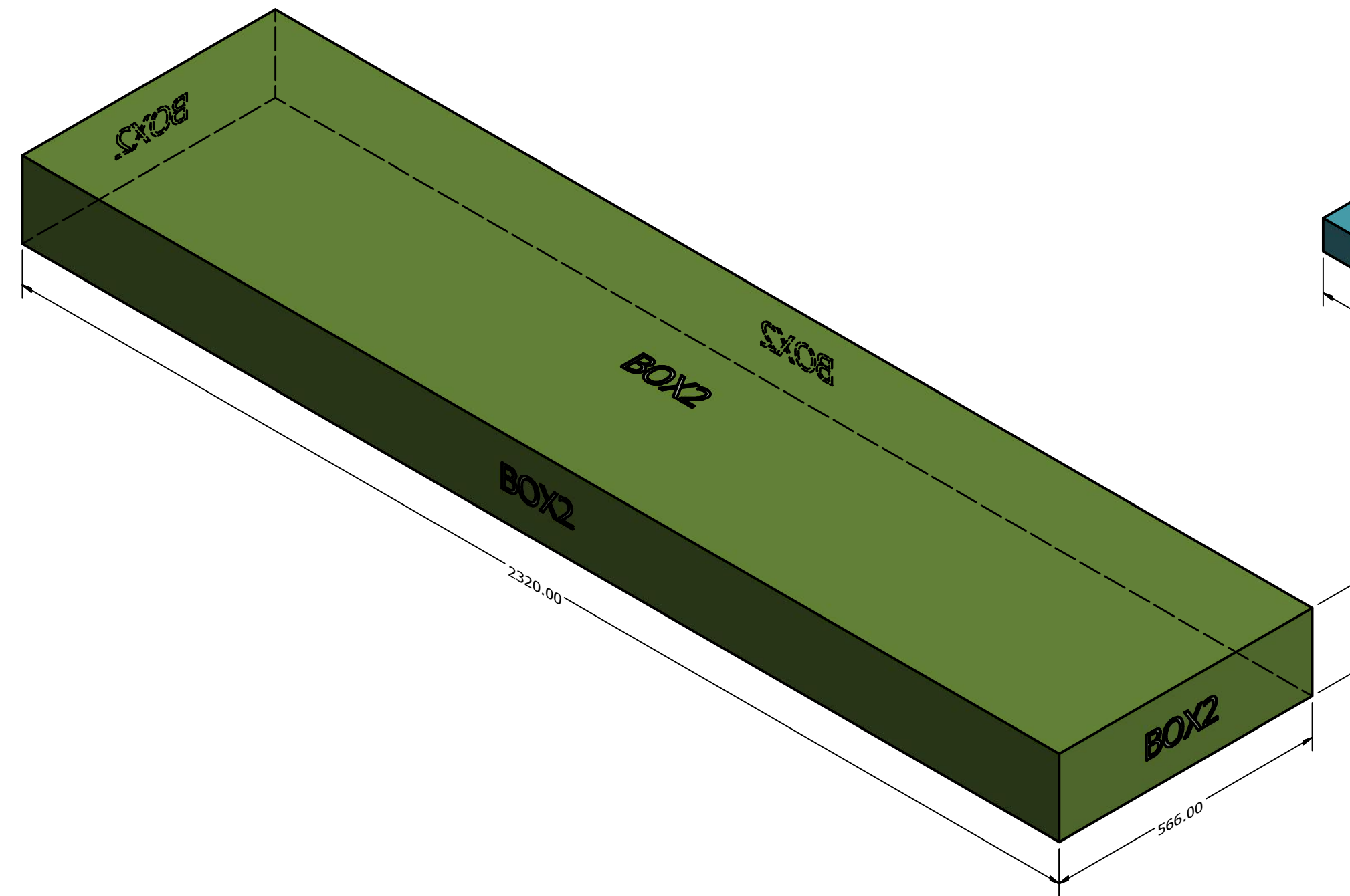
BOX1

BOX2

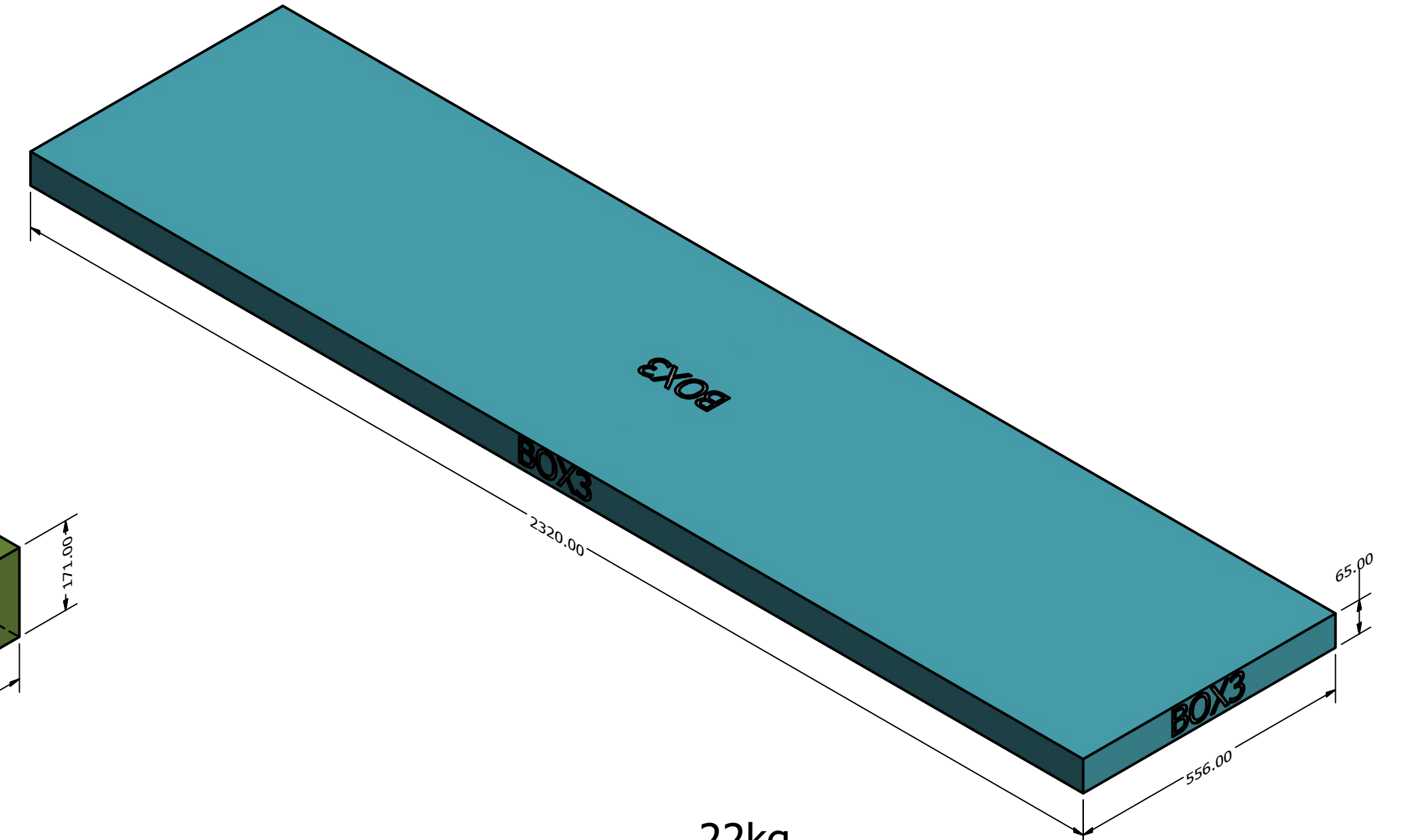
BOX3



94kg



93kg



22kg

DRAWN Rudy		TITLE		
CHECKED				
QA				
MFG				
APPROVED		SIZE D	DWG NO BOXES	REV
		SCALE 0.125	SHEET 1 OF 1	