



OWNER'S MANUAL

**CEILING MOUNT ELECTRIC HEATER
4,800W | 240V**



MODEL: 1VAHG4800

CONTENTS

| | |
|--------------------------------|---|
| Safety Information..... | 3 |
| Installation Instructions..... | 5 |
| Operating Instructions..... | 6 |
| Care & Maintenance..... | 7 |

DESCRIPTION:

- Adjustable Thermostat
- Fan-Forced for Wide Heat Circulation
- Safety Overheat Protection
- Convenient Handle with Integral Cord Wrap
- Sturdy Heavy Gauge Steel Body
- Easily Assembly Bracket

NOTE: SAVE THESE INSTRUCTIONS

SAFETY INFORMATION

IMPORTANT SAFETY FEATURES

AUTOMATIC OVERHEAT PROTECTION

The heater is equipped with an automatic overheat protection device located inside the body of the heater. If the heater grille is obstructed, or if the heater gets too hot for any reason, the automatic overheat protection device will turn the heater off. To reset the heater, simply turn power off and unplug the heater for 10 minutes until it cools down and you may plug in and restart the heater. Be sure that the heater is on a smooth level surface with no obstructions.

SAFETY INFORMATION

PLEASE READ AND UNDERSTAND THIS ENTIRE MANUAL BEFORE ATTEMPTING TO ASSEMBLE, OPERATE OR INSTALL THE PRODUCT.

PRECAUTIONS

Electric Utility heaters are designed to meet a variety of heating requirements. This heater must be plugged in to a 240V AC, 25A (or larger) circuit. Do not plug anything additional into the same circuit. If you have any questions whether your wiring is adequate, consult a qualified electrician. Risk of fire, overheating, malfunction, property damage, injury or even death may result if not adhered to.

Use your heater only with a working smoke detector located in the vicinity of your heater.

While using your heater, you should follow the **GENERAL SAFETY INFORMATION** listed below.

As part of those instructions, we have used the word **"WARNING"** to indicate the level of hazard.

WARNING indicates a hazard which, if not avoided, could result in injury or death.

When using electrical appliances, basic precautions should always be followed to reduce the risk of fire, electric shock and injury to persons, including the following important instructions.

GENERAL SAFETY INFORMATION

- This heater is hot when in use. To avoid burns, do not let bare skin touch hot surfaces. Use provided handle when moving this heater.
- Keep combustible materials, such as furniture, pillows, bedding, papers, clothes and curtains at least 3 feet (0.9 meters) from the front of the heater and keep them away from the sides and rear. Ensure a minimum clearance of 5.5 inches (14cm) from both sides and rear of heater to adjacent walls. Keep rear grille away from walls or drapes so as to not block air intake.
- Do not use heater unattended. Use of extreme caution is necessary when any heater is used by or near children, invalids, disabled persons or pets.
- Do not use heater outdoors. This product is intended for indoor use only.
- Use your heater only in dry environments. This heater is not intended for use in a bathroom, laundry area, or similar locations, or near sinks, washing machines, swimming pools or other sources of water. Never locate heater where it may fall into a bathtub or other water container. Do not use in damp environments such as flooded basements.
- Do not place the heater on a small, unlevelled, uneven or any surface which might allow heater to tip or fall.
- For proper operation, heater should be placed on a smooth, non-combustible surface. Do not place on rugs, carpet, vinyl flooring or other plastic surfaces. Not for use outdoors or in wet areas.
- This heater is not designed as a primary heat source.
- Use only with electrical wiring that is in good working order and that meets applicable codes and ordinances.
- Always plug heaters directly into a wall outlet / receptacle. Never use with an extension cord or relocatable power tap (outlet / power strip). Always unplug heater when not in use.

- Do not run power cord under carpeting. Do not cover cord with throw rugs, runners or similar coverings. Arrange cord away from traffic area where it will not be tripped over.
- To disconnect heater, turn controls off then remove plug from outlet.
- Do not insert or allow foreign objects to enter any ventilation or exhaust opening as this may cause an electric shock or fire or damage the heater.
- To prevent a possible fire, do not block air intakes or exhaust in any manner. Do not use on soft surfaces like a bed, where openings may become blocked.
- A heater has hot and arcing or sparking parts inside. Do not use it in areas where gasoline, paint or flammable liquids are used or stored.
- Use this heater only as described in this manual. Any other use not recommended by the manufacturer may cause fire, electric shock or injury to persons or property.
- Hyperthermia can result in death. Symptoms of hyperthermia include high body temperature, headache, nausea, vomiting, tiredness, dizziness, fainting, and rapid pulse. If you begin to experience symptoms related to hyperthermia, turn off the heater and seek medical attention.
- To avoid excessive room temperatures which can cause hyperthermia: DO NOT leave product running unattended in a confined space around infants, or individuals with reduced physical, sensory, or mental capabilities.

⚠ WARNING SHOCK HAZARD

Use your heater only in dry environments. This heater is not intended for use in a bathroom, laundry area, or similar locations, or near sinks, washing machines, swimming pools or other sources of water. Never locate heater where it may fall into a bathtub or other water container. Do not use heater outdoors. Do not use in damp environments such as flooded basements.

⚠ WARNING HOT SURFACES

Fans have arcing or sparking parts inside. Do not touch body of heater when in use. This heater is hot when in use, to avoid burns, do not

let bare skin touch hot surfaces. If provided, use handles when moving this heater.

⚠ WARNING FIRE HAZARD

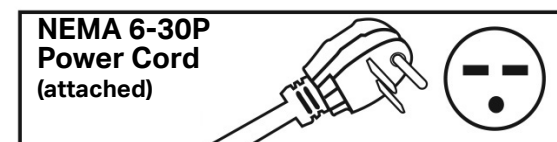
Heater has hot and arcing or sparking parts inside. Do not use near combustible materials or flammable gases or sources of heat. DO NOT USE in areas where gasoline, paint or flammable materials are used or stored. Keep combustible materials such as furniture, pillows, bedding, papers, clothes and curtains at least 3 feet (0.9 m) from the front of the heater and keep them away from the sides and rear. Ensure a minimum of 5.5 inches (14cm) from both sides and rear of heater to adjacent walls.

Keep rear grille away from walls or drapes so as to not block air intake. To prevent a possible fire, do not block air intakes or exhaust in any manner. Do not use on soft surfaces, like a bed, where openings may become blocked. Do not place the heater near a bed because objects such as pillows or blankets can fall off the bed and be ignited by the heater. Do not insert or allow foreign objects to enter any ventilation or exhaust opening as this may cause an electric shock, fire, or damage the heater.

⚠ WARNING ELECTRICAL SHOCK HAZARD

Do not use with damaged cord or plug. Use with adequate electrical system that is up to code.

The supply cord has a NEMA 6-30 plug. As a safety feature this plug will fit in a 240V grounded receptacle (NEMA 6-30P) outlet only one way. To prevent electric shock, match the blade pattern of the plug, fully insert plug (See below). If the plug does not fit contact a qualified electrician.



Do not operate any heater with a damaged cord or plug or after heater malfunctions, has been dropped or damaged in any manner. Do not operate heater with a broken heating element or ceramic cone or any visual imperfections.

PET OWNERS NOTE:

The health of birds and some small pets are extremely sensitive to the fumes given off during the initial use of many appliances. Although these fumes are not harmful to humans, it is recommended that this heater not be used around birds and small pets during its initial use until the manufacturing corrosion coatings burn off.

| SPECIFICATIONS |
|----------------------------------------------|
| High Heat Setting – 4800 watts (16,378 BTUs) |
| Portable - uses NEMA 6-30P Receptacle |
| 240V A.C. |
| 60Hz |
| 20A |

HEATER INSTALLATION

Always operate the heater in the upright position following all instructions and recommendations listed in this manual.

HEATER CONNECTION

Connect to properly grounded outlets only. Check heater voltage and amperage on the back of heater to make sure it agrees with the electrical service supplied. Plug heater directly into 240-volt A.C., 60 Hz, 30A wall outlet. Be sure plug fits tightly in outlet. A loose connection may cause overheating and damage to the plug or heater.

NOTE: To prevent overloading a circuit, do not plug the heater into a circuit that is servicing other electrical needs.

FLOOR APPLICATION

The heater may be used on an unfinished floor. Place the heater on floor or other flat surface and insert plug into the proper wall outlet.

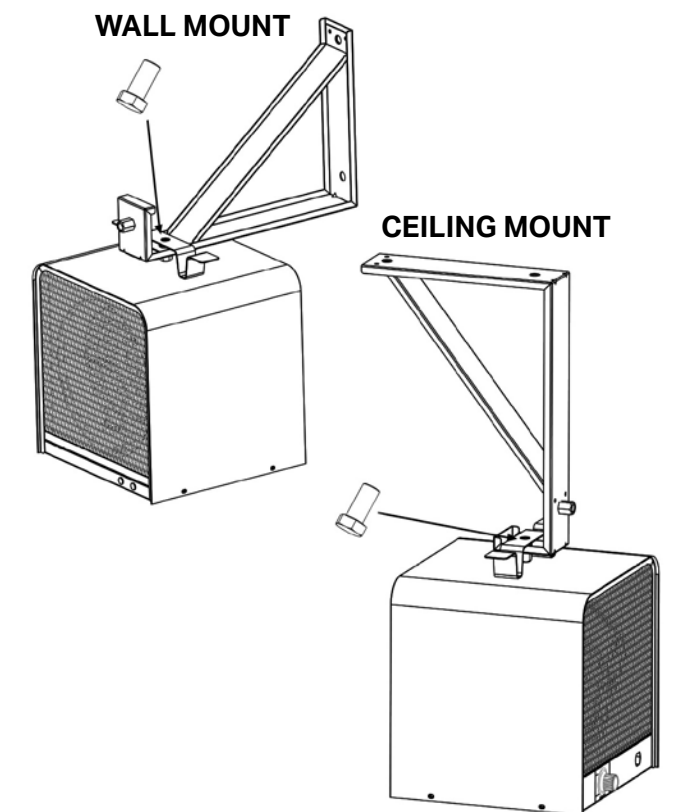
WARNING: Do not place or use the heater on carpeting.

WALL OR CEILING MOUNTING

The garage heater includes a wall / ceiling mounting bracket. The bracket should be mounted to a structure that is capable of supporting the combined weight of the heater and the bracket. Ideally, the bracket should be secured to a wall stud, roof truss, or onto a solid block wall using the proper mounting hardware. The heater should be mounted as close to the power supply as possible. Never use an extension cord. Mount with bottom of heater at least 2.44m / 8 ft. above floor or grade when mounting to a wall or ceiling.

1. Drill two holes in a wall / ceiling, the distance of the holes should match the bracket.
2. Screw two M10*30 screws (not included) to wall / ceiling, make sure the bracket is secured.
3. Hang the heater as shown below, secure the heater to the bracket by inserting a bolt through a washer (included) into the pre-drilled holes.
4. Secure the bolt with a lock washer and nut (included). Tighten with a wrench.

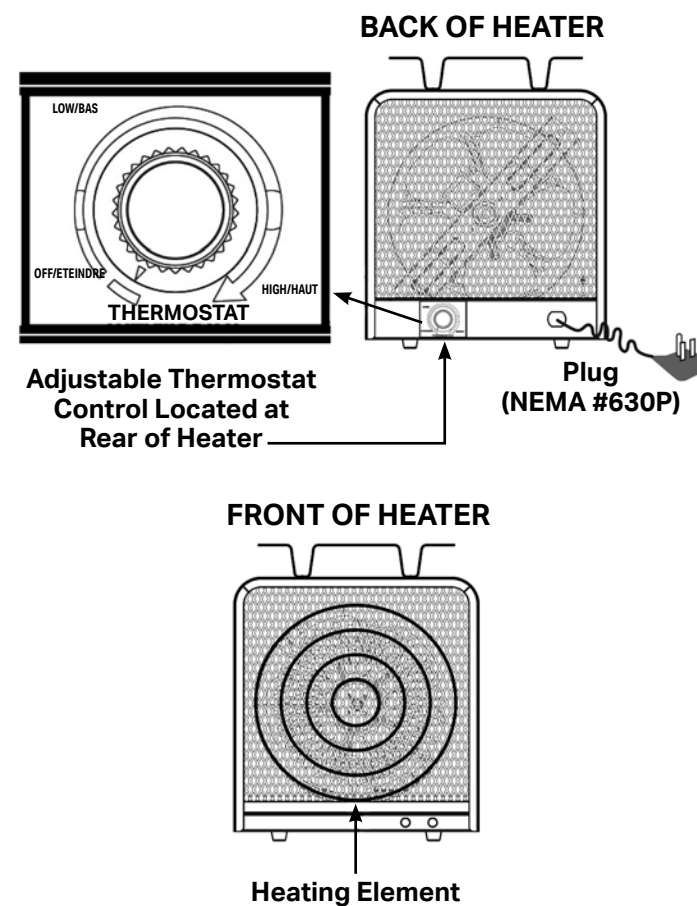
WARNING: To reduce the risk of fire, do not store or use gasoline or other flammable vapors and liquids in the vicinity of the heater.



OPERATING INSTRUCTIONS

TURNING HEATER ON

To start the heater, turn the heater **ON** by turning the **THERMOSTAT CONTROL** (located at rear of heater) away from the **OFF** position. For faster heat up or to increase the heat output, turn the THERMOSTAT CONTROL knob all the way to the right (towards the "HIGH"). To decrease the room temperature, turn the knob counterclockwise. To completely shut off heater, turn the THERMOSTAT CONTROL knob to the OFF position (You should hear a faint "click") and unplug heater.



NOTE: During the heaters initial use, you may experience a slight odor or smoking. This is the result of the heating element fabrication protective coating "burning off". This is normal and will go away after a few minutes of use.

CARE & MAINTENANCE

CLEANING

CAUTION—Before cleaning the heater be sure to disconnect power cord and allow the heater to cool completely. Clean the outside surface with a clean damp cloth. Do not use harsh chemical or abrasive cleaners. **DO NOT IMMERSE THE HEATER IN WATER.** Allow heater to dry completely before use.

Any other service should be performed by an authorized service representative.

REPAIR

DO NOT OPERATE THE HEATER WITHOUT THE GRILLE IN PLACE. DO NOT USE THE HEATER IF IT HAS MALFUNCTIONED OR BECOME DAMAGED IN ANY WAY.

STORAGE

Keep original carton for storage of the heater. Coil and tie the power cord to avoid damage during storage.

⚠ WARNING USE ONLY MANUFACTURER'S REPLACEMENT PARTS. USE OF ANY OTHER PARTS COULD CAUSE INJURY OR DEATH. REPLACEMENT PARTS ARE ONLY AVAILABLE DIRECT FROM THE FACTORY AND MUST BE INSTALLED BY A QUALIFIED SERVICE AGENCY.

HEAT SETTING

This heater has one heat setting: 4800W with heat output of 16,378 BTUs per hour.

SETTING THERMOSTAT

After heater has been turned on and the room has reached the desired temperature, slowly rotate the thermostat knob counterclockwise until the heater shuts off (you should hear a faint "click"). By leaving the thermostat at this setting it will automatically maintain this temperature. To lower room temperature, rotate the knob further counterclockwise (towards the "OFF" LOW position). To raise the room temperature, rotate the thermostat knob clockwise (towards the "HIGH" position).

TURNING OFF

To completely shut off heater, turn the THERMOSTAT CONTROL knob to the OFF position before unplugging or plugging in the heater. Heater should be unplugged when not in use.

WARNING: Do not tamper with the thermostat or high limit.

NOTE: Unplug the unit when not in use.

NOTE: As a result of continual improvements, the design and specifications of the product within may differ slightly to the unit illustrated on the packaging.



4560 W. 160th Street
Cleveland, OH 44135

833-950-1185 | support@visionairproducts.com

www.visionairproducts.com