



Manufactured by: Backyard  
Discovery  
3305 Airport Drive, Pittsburg,  
KS 66762 800-856-4445

Basepoint Business Centre: Rivermead Drive, Westlea, Swindon SN5 7EX Phone: 0800-118-2476  
J.P. Coenstraat 7, The Bridge, The Hague, 2595 WP, Netherlands Phone: 08005678990

# OUTDOOR KITCHEN FRIDGE - RIGHT OPEN

## MODEL # 9240162



### IMPORTANT:

Save for electrical inspector's use.  
Installer: Leave installation instructions with the homeowner.  
Homeowner: Keep installation instructions for future reference.

**Please visit [www.backyarddiscovery.com](http://www.backyarddiscovery.com)**  
For the most up to date assembly manual, to register your product, or to order  
replacement parts *Para obtener instrucciones en español, visite*  
**[www.backyarddiscovery.com](http://www.backyarddiscovery.com)**

---

## Content

<b>1</b>	<b>Operating Manual</b> .....	<b>1</b>
	<b>General</b> .....	<b>1</b>
1.1	<b>Information on this manual</b> .....	<b>1</b>
1.2	<b>Warning notices</b> .....	<b>1</b>
1.3	<b>Limitation of liability</b> .....	<b>2</b>
1.4	<b>Safety</b> .....	<b>2</b>
<b>2</b>	<b>Intended use</b> .....	<b>2</b>
2.1	<b>General Safety information</b> .....	<b>3</b>
2.2	<b>Sources of danger</b> .....	<b>5</b>
2.3	<b>2.3.1 Risk of fire / flammable materials used. Danger of burns or of explosion</b> .....	<b>5</b>
2.3.1	<b>2.3.2 Dangers due to electrical power</b> .....	<b>5</b>
2.3.2	<b>Commissioning</b> .....	<b>6</b>
<b>3</b>	<b>Safety information</b> .....	<b>6</b>
3.1	<b>Delivery scope and transport inspection</b> .....	<b>6</b>
3.2	<b>Unpacking</b> .....	<b>6</b>
3.3	<b>Disposal of the packaging</b> .....	<b>7</b>
3.4	<b>Setup</b> .....	<b>7</b>
3.5	<b>3.5.1 Setup location requirements</b> .....	<b>7</b>
3.5.1	<b>3.5.2 Feet</b> .....	<b>7</b>
3.5.2	<b>3.5.3 The handle installing</b> .....	<b>8</b>
3.5.3	<b>3.5.4 To remove a shelf</b> .....	<b>8</b>
3.5.4	<b>Electrical connection</b> .....	<b>8</b>
3.6	<b>Design and Function</b> .....	<b>9</b>
<b>4</b>	<b>Complete overview</b> .....	<b>9</b>
4.1	<b>Operation and Handling</b> .....	<b>10</b>
<b>5</b>	<b>Rating plate</b> .....	<b>10</b>
5.1	<b>Cleaning and Maintenance</b> .....	<b>10</b>
<b>6</b>	<b>Safety information</b> .....	<b>10</b>
6.1	<b>Cleaning</b> .....	<b>10</b>
6.2	<b>Moving the appliance</b> .....	<b>11</b>
6.3	<b>Troubleshooting</b> .....	<b>11</b>
<b>7</b>	<b>Safety notices</b> .....	<b>11</b>
7.1	<b>Fault indications and rectification of faults</b> .....	<b>11</b>
7.2	<b>Disposal of the Old Device</b> .....	<b>12</b>
<b>8</b>		

---

---

# 1 Operating Manual

## 1.1 General

Please read the information contained herein so that you can become familiar with your device quickly and take advantage of the full scope of its functions.

Your refrigerator will serve you for many years if you handle it and care for it properly.

We wish you a lot of pleasure in using it!

## 1.2 Information on this manual

These Operating Instructions are a component of the Outdoor Cooler (referred to hereafter as the device) and provide you with important information for the initial commissioning, safety, intended use and care of the device.

The Operating Instructions must be available at all times at the device. This Operating Manual must be read and applied by every person who is instructed to work with the device:

- Commissioning
- Operation
- Troubleshooting and/or
- Cleaning Keep the Operating Manual in a safe place and pass it on to the subsequent owner along with the device.

## 1.3 Warning notices

The following warning notices are used in the Operating Manual concerned here.

### **DANGER**

**A warning notice of this level of danger indicates a potentially dangerous situation.**

If the dangerous situation is not avoided, this can lead to death or serious injuries.

- ▶ Observe the instructions in this warning notice in order to avoid the danger of death or serious personal injuries.

### **WARNING**

**A warning notice of this level of danger indicates a possible dangerous situation.**

If the dangerous situation is not avoided, this can lead to serious injuries.

- ▶ Observe the instructions in this warning notice in order to avoid the personal injuries.

### **ATTENTION**

**A warning notice of this level of danger indicates a possible dangerous situation.**

If the dangerous situation is not avoided, this can lead to slight or moderate injuries.

- ▶ Observe the instructions in this warning notice in order to avoid the personal injuries.

### **PLEASE NOTE**

A notice of this kind indicates additional information, which will simplify the handling of the machine.

---

## 1.4 Limitation of liability

All the technical information, data and notices with regard to the installation, operation and care are completely up-to-date at the time of printing and are compiled to the best of our knowledge and belief, taking our past experience and findings into consideration.

No claims can be derived from the information provided, the illustrations or descriptions in this manual. The manufacturer does not assume any liability for damages arising as a result of the following:

- Non-observance of the manual
- Uses for non-intended purposes
- Improper repairs
- Technical alterations, modifications of the device
- Use of unauthorized spare parts

Modifications of the device are not recommended and are not covered by the guarantee.

All translations are carried out to the best of our knowledge. We do not assume any liability for translation errors, not even if the translation was carried out by us or on our instructions.

## 2 Safety

This chapter provides you with important safety notices when handling the device.

The device corresponds with the required safety regulations. Improper use can result in personal or property damages.

### 2.1 Intended use

This appliance is intended for use in the home (indoor and sheltered outdoor) and in similar applications such as

- staff kitchen areas in shops, offices and other work areas;
- in agriculture and by guests in hotels, motels and other accommodation;
- bed and breakfasts;
- in catering and similar wholesale use.

Please note the influence of light/sunlight (see chapter "Installation"). The appliance complies with protection class IPX4 and is protected against splashing water. The appliance is not suitable for freezing food.

Uses for a different purpose or for a purpose which exceeds this description are considered incompatible with the intended or designated use.

## WARNING

**Danger due to unintended use!** Dangers can emanate from the device if it is used for an unintended use and/or a different kind of use.

- ▶ Use the device exclusively for its intended use.

---

## **WARNING**

- ▶ Observe the procedural methods described in this Operating Manual.

Claims of all kinds due to damages resulting from unintended uses are excluded.

The User bears the sole risk.

## **2.2 General Safety information**

### **PLEASE NOTE**

**Please observe the following general safety notices with regard to the safe handling of the device.**

- ▶ Examine the device for any visible external damages prior to using it. Never put a damaged device into operation.
- ▶ If the power cord of this appliance is damaged, it must be replaced by the manufacturer, its customer service or a similarly qualified person to avoid hazards.
- ▶ This unit may be used by children as of 8 years old and anyone with reduced physical, sensory or mental capabilities or a lack of experience and knowledge if they are supervised or have been instructed in connection with the safe use of the appliance and the dangers resulting from it.
- ▶ Cleaning and maintenance by the user must not be performed by children.
- ▶ Children are not allowed to play with the device.
- ▶ The device and its connecting cable must be kept away from children who are less than 8 years old.
- ▶ Do not make any modifications to the appliance or the power cord. Only have repairs carried out by a specialist workshop as appliances that have not been repaired properly endanger the user. Please also observe the enclosed warranty conditions.
- ▶ Defective components must always be replaced with original replacement parts. Only such parts will guarantee that the safety requirements are fulfilled.

---

## PLEASE NOTE

- ▶ For the installation of the unit, the dimensions of the unit (see illustration: Dimensioning), as well as sufficient air flow, must be observed.
- ▶ The power outlet must be freely accessible in case you need to disconnect the appliance from the mains quickly.
- ▶ To avoid contamination of food, observe the following instructions:
  - If the door is open for a long time, the temperature in the compartments of the appliance may rise considerably.
  - Regularly clean any surfaces that may come into contact with food and accessible drainage systems.
  - Store raw meat and fish in suitable containers in the refrigerator.
  - If the refrigerator/freezer will be left empty for a long time, switch off the appliance, defrost it, clean it and leave the door open to avoid mould growth.
- ▶ Use the appliance only as described in the user's guide to avoid possible injury from misuse.
- ▶ Do not operate the appliance unattended.
- ▶ Do not use the appliance:
  - if the appliance itself or parts are damaged,
  - if the power cord or plug is damaged,
  - if the appliance has been dropped.
- ▶ Always unwind the power cord completely before use. When doing so, ensure that the power cord is not damaged by sharp edges or hot objects.
- ▶ Only use the appliance with original accessories.

---

## 2.3 Sources of danger

### 2.3.1 Risk of fire / flammable materials used. Danger of burns or of explosion

#### DANGER

There is a danger of burns and explosion due to excess pressure that is created in the event the device is not used properly.

Observe the following safety notices to avoid dangers of burns or an an explosion:

#### Warning: Risk of fire / flammable materials used.



- Do not store explosive substances in this appliance, such as aerosol containers with flammable propellant gas.

- ▶ Blowing gas inside the unit is flammable.
- ▶ Do not damage the cooling circuit of the device.
- ▶ Do not use electrical devices inside the device.
- ▶ Do not use mechanical devices or other means to accelerate the defrosting process.
- ▶ Never use the device to store or dry flammable materials.
- ▶ Never clean appliance parts with flammable fluids. The fumes can create a fire hazard or explosion.
- ▶ Do not store or use gasoline or any other flammable vapours and liquids in the vicinity of this or any other appliance. The fumes can create a fire hazard or explosion.

### 2.3.2 Dangers due to electrical power

Mortal danger due to electrical power!

**Mortal danger exists when coming into contact with live wires or subassemblies!**

Observe the following safety notices to avoid dangers due to electrical power:

---

## **DANGER**

- ▶ Do not operate this device if it has a damaged cable or plug, if it is not working properly or if it has been damaged or dropped. If the power cable or plug are damaged, then they must be replaced by the manufacturer or its service agent in order to avoid a hazard.
- ▶ Do not open the housing on the device under any circumstances. There is a danger of an electrical shock if live connections are touched and the electrical or mechanical structure is altered. In addition, functional faults on the device can also occur.

### **3 Commissioning**

This chapter provides you with important safety notices during the initial commissioning of the device. Observe the following notices to avoid dangers and damages:

#### **3.1 Safety information**

### **WARNING**

- ▶ Packaging materials may not be used for playing. There is a danger of suffocation.
- ▶ Transport, unpack and use two persons to set down the device because of the heavy weight of the device.

#### **3.2 Delivery scope and transport inspection**

As a rule, the Outdoor Cooler is delivered with the following components:

- Outdoor Cooler •3 shelves
- Operating Instructions with handle and screws

### **Please Note:**

- ▶ Examine the shipment for its completeness and for any visible damages.
- ▶ Immediately notify the carrier, the insurance and the supplier about any incomplete shipment or damages as a result of inadequate packaging or due to transportation.

#### **3.3 Unpacking**

To unpack the device, proceed as follows:

- Remove the device out of the carton and remove the packaging material.
- Your refrigerator should only be moved in an upright position.
- Clean the interior surface with lukewarm water using a soft cloth.
- After at least 24 hours, plugging the appliance into the wall outlet.

---

## 3.4 Disposal of the packaging

The packaging protects the device against damages during transit. The packaging materials are selected in accordance with environmentally compatible and recycling-related points of view and can therefore be recycled.



Returning the packaging back to the material loop saves raw materials and reduces the quantities of accumulated waste. Take any packaging materials that are no longer required to “Green Dot” recycling collection points for disposal.

## 3.5 Setup

### 3.5.1 Setup location requirements:

In order to ensure the safe and trouble-free operation of the device, the setup location must fulfil the following prerequisites:

- Place your appliance on a floor that is strong enough to support the appliance when it is fully loaded.
- Locate the appliance away from direct sunlight and sources of heat (stove, heater, radiator, etc.). Direct sunlight and heat sources may adversely affect energy consumption and cooling performance.
- This cooling appliance is intended for ambient temperatures of 16–38 °C.
- The appliance is suitable for indoor and (protected!) outdoor use. Do not install the appliance in a wet or very humid environment. The device complies with the International protection rating IPX4. Protect the device from the weather conditions and frost.
- The device requires an adequate flow of air in order to operate correctly. **WARNING!** Do not close the ventilation openings in the device housing.
- The electrical socket must be easily accessible so that the power lead can be disconnected easily, in the case of an emergency.
- The installation and assembly of this device in non-stationary setup locations (e.g. on ships) must be carried out by specialist companies / electricians, provided they guarantee the prerequisites for the safe use of this device.
- Installation in outdoor kitchens is possible, provided the requirements for the installation location are met.
- **WARNING:** When positioning the appliance, ensure the supply cord is not trapped or damaged.
- **WARNING:** Do not locate multiple portable socket-outlets or portable power supplies at the rear of the appliance.

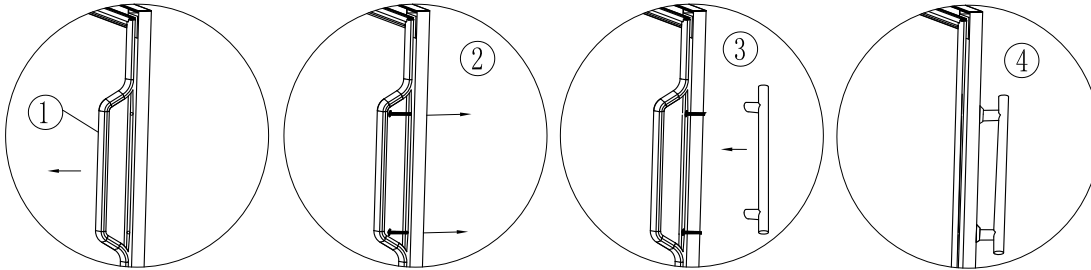
### 3.5.2 Feet

The unit is supplied with 3 long feet and one short foot. Align the feet so that the unit is level and does not tilt.

---

### 3.5.3 The handle installing

The Outdoor Cooler comes with one handle. To install simply screw them to the door with the supplied screws. To do this, slide the rubber seal on the back of the door to the side to lay open the predrilled holes. Use the included screws to install the handle on the door. Then reinsert the rubber seal in the correct position.



### 3.5.4 To remove a shelf

The storage shelves can be positioned individually by means of the holders. To do this, please remove the storage shelf, set the desired height by means of the holders, and put the storage shelf back in place.

### Please Note:

- Ensure that the shelves are firmly engaged in place before storing any bottles.

## 3.6 Electrical connection

In order to ensure the safe and trouble-free operation of the device, the following instructions must be observed for the electrical connection:

- Connect the appliance to a properly installed power outlet with electrical data corresponding to the rating plate's specifications.
- **NOTE: FRIDGE CANNOT BE CONNECTED TO ELECTRICAL ENCLOSURE ATTACHED TO OUTDOOR STRUCTURE**
- The connection between the device and the electrical network may employ a 3 meter long (max.) extension cable with a cross-section of 1.5 mm<sup>2</sup>. The use of multiple plugs or gangs is prohibited because of the danger of fire that is involved with this.
- Make sure that the power cable is undamaged and has not been installed under or over hot or sharp surfaces.
- This unit is not designed to be installed in an RV or used with an inverter.
- The electrical outlet must be protected by a 16A safety cut-out switch.
- The electrical safety of the device is only guaranteed if the device is connected to a properly installed protective conductor system. If in doubt, have the house installation checked over by a qualified electrician.

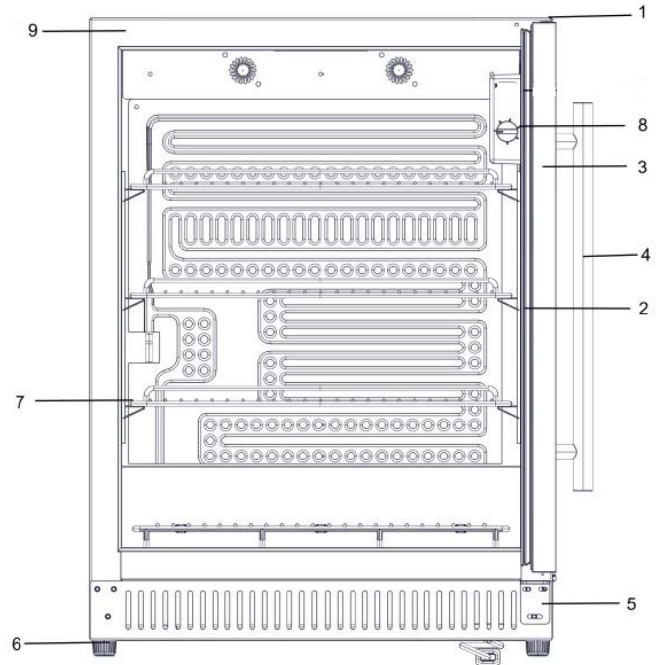
The manufacturer cannot be made responsible for damages that are caused by a missing or damaged protective conductor.

## 4 Design and Function

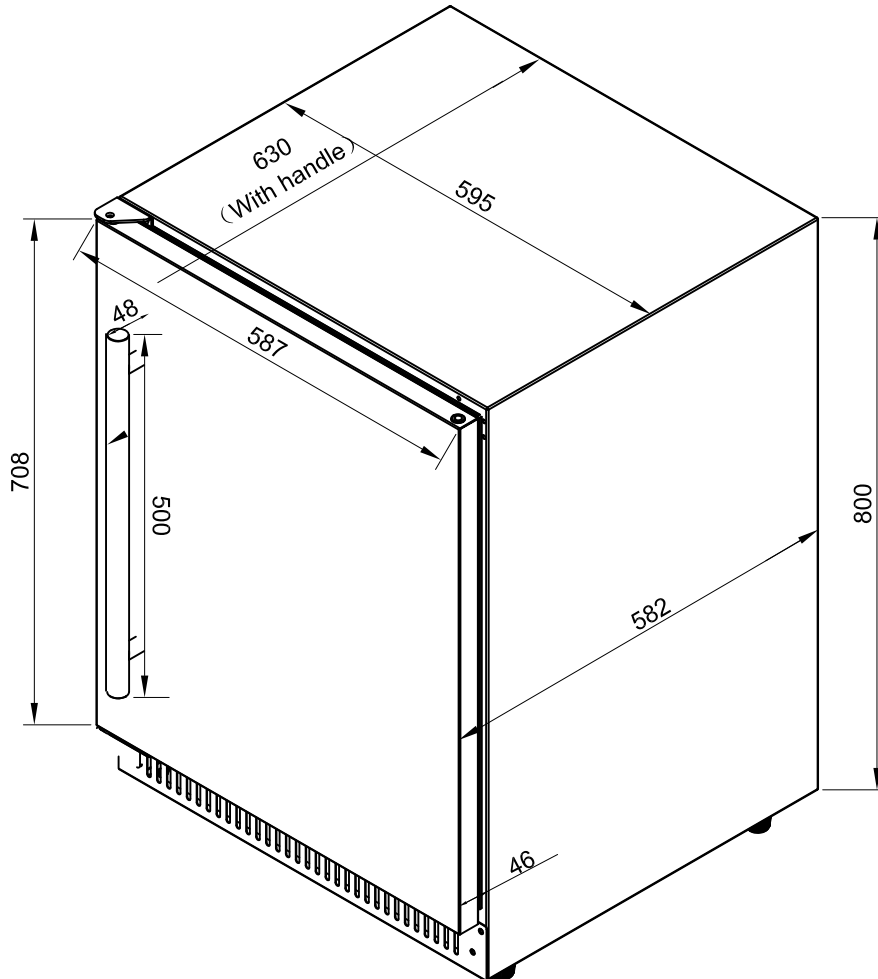
This chapter provides you with important safety notices on the design and function of the device.

### 4.1 Complete overview

- (1) upper hinge
- (2) door sealing
- (3) door frame
- (4) door handle
- (5) down hinge
- (6) foot
- (7) metal shelves 3 pcs
- (8) thermostat with knob
- (9) housing



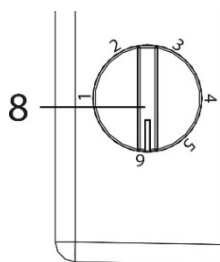
### Illustration: Dimensioning



---

## 5 Operation and Handling

This chapter provides you with important notices with regard to operating the device.



With the knob you can adjust the temperature according to your preferences.

### 5.1 Rating plate

The rating plate with the connection and performance data can be founded on the back of the device.

## 6 Cleaning and Maintenance

This chapter provides you with important notices with regard to cleaning and maintaining the device. Please observe the notices to prevent damages due to cleaning the device incorrectly and to ensure trouble-free operation.

### 6.1 Safety information

#### Attention

Please observe the following safety notices, before you commence with cleaning the device:

- ▶ Before operating the appliance, clean it thoroughly.
- ▶ Unplug the plug from the wall power outlet prior to cleaning it.
- ▶ Do not clean the appliance with hard, scratchy or abrasive cleaning agents such as steel wool or the like.
- ▶ The appliance should not be operated at an ambient temperature below 0°C.
- ▶ The appliance can **remain** in the protected outdoor area when **switched off** with the door open if the temperature is below 0 °C. However, before the next use, the appliance's condition and the electrical connection should be checked.

### 6.2 Cleaning

#### ◆ Interior space

Wash the inside with a damp cloth soaked in lukewarm water and a bit of mild detergent.

#### ◆ Door gasket

Be sure to keep the door gasket clean to keep the unit running efficiently.

#### ◆ Cabinet

The cabinet should be cleaned with a mild detergent and warm water.

Use a soft, damp cloth for drying.

#### ◆ Vent opening

Dust or anything else may block the vent and hinder the cooling efficiency of the appliance. Vacuum the vent if necessary.

## ◆ Manual defrosting

The volume of the collection container (K) may be too small during manual defrosting. We recommend emptying the container with a sponge during the defrosting phase. We recommend defrosting the appliance two to three times a year. The collection container is located at the back of the appliance at the bottom right. Simply unscrew the cover for this purpose.



## 6.3 Moving the appliance

Unplug the unit from the wall outlet. Remove all content. Shurely tape down all lose items inside your appliance. Tape doors shut. Be sure the refrigerator stays in the upright position during transportation.

## 7 Troubleshooting

This chapter provides you with important notices with regard to operating the device. Observe the following notices to avoid dangers and damages:

### 7.1 Safety notices

#### Attention

- ▶ Only qualified electricians, who have been trained by the manufacturer, may carry out any repairs on electrical equipment.
- ▶ Improperly performed repairs can cause considerable dangers for the user and damages to the device.

### 7.2 Fault indications and rectification of faults

The following table assists in localizing and rectifying minor faults.

<b>Fault</b>	<b>Possible Cause</b>
Your device is not cold enough or it does not reach the adjusted temperature:	Check the temperature control setting. External environment may require a higher setting. The door is not closed completely. The door seal does not seal properly. Check the requirements for the installation location. Defrost the device.
The light does not work. Vibrations & too much noise & door does not close properly	Contact customer service. Check to assure that the wine refrigerator is level.
Compressor will not start	The compressor will not start if the ambient temperature is lower than the desired temperature.
Dew on the surface of cabinet :	Dew may form on the glass front, especially if the appliance is placed in a humid environment. Please wipe it away with dry cloth.
Liquid sound	The sound of compressor when starts or stops working

---

## Please Note:

- ▶ If you are unable to solve the problem with the steps shown above, please contact Customer Service.

## 8 Disposal of the Old Device

Old electric and electronic devices frequently still contain valuable materials. However, they also contain damaging substances, which were necessary for their functionality and safety.

If these were put in the non-recyclable waste or were handled incorrectly, they could be detrimental to human health and the environment. Therefore, do not put your old device into the non-recyclable waste under any circumstances.



## Please Note:

- ▶ Utilise the collection point, established in your town, to return and recycle old electric and electronic devices. If necessary, contact your town hall, local refuse collection service or your dealer for information.
- ▶ Ensure that your old device is stored safely away from children until it is taken away: Before you throw away your old refrigerator take off the doors and leave the shelves in place, so that children may not easily climb inside
- ▶ Blowing gas inside the unit is flammable. The disposal of this flammable material should be in accordance with national regulations.