



BOSCH



18V

GSA18V-125

18V EC Brushless 1-1/4 In.-Stroke
Multi-Grip Reciprocating Saw

Easily Tackle Cuts in Any Position

18V EC BRUSHLESS 1-1/4"-STROKE MULTI-GRIP RECIPROCATING SAW

18V

GSA18V-125

VIBRATION CONTROL

Provides maximum user comfort for extended periods of work



TOOLLESS BLADE CHANGE

For easy blade change even with gloves on, tight blade grip



ADJUSTABLE FOOTPLATE

Enables control of the cutting depth and use of a wider array of the blade's teeth



WATER PROTECTION

New lifting rod/sealing gasket system that protects gear and motor from most in-flowing water

DOUBLE LED LIGHTS

Illuminates on both sides of blade in dark work spaces



THREE ORBITAL SETTINGS

Allow optimized cutting in all materials



ERGONOMIC MULTI-GRIP HANDLE

Allows comfortable gripping at various locations when cutting in typical and difficult positions



EC BRUSHLESS MOTOR TECHNOLOGY

Provides up to 30% more power and better efficiency than previous-generation 18V motors



HANGING HOOK

Keeps the tool within reach at all times



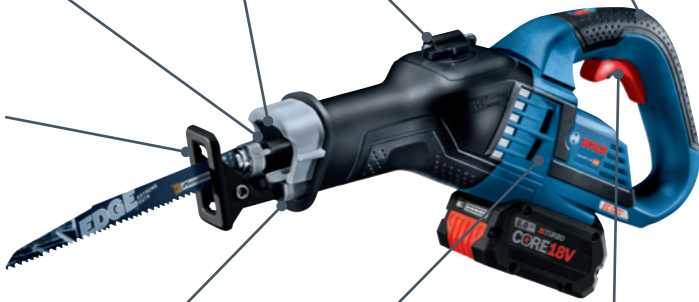
LONG VARIABLE-SPEED TRIGGER

Easily accessed from various grip locations to adjust operating speed, such as when starting a cut



MAXIMUM SPEED DIAL

For setting maximum speed





Specifications

Rating	18V
No Load SPM	0–2,500
Stroke Length	1.25"
Battery Compatibility	All Bosch 18V Lithium-ion Batteries
Cutting Capacity: Wood	9.1"
Cutting Capacity: Non-Alloy Metal	0.8"
Cutting Capacity: Pipe Diameter	6.9"
Length	19.0"
Height (w/o Battery)	7.8"
Width	4.0"
Weight (Bare Tool)	7.7 lbs.

Includes

GSA18V-125N	18V EC Brushless 1-1/4 In.-Stroke Multi-Grip Reciprocating Saw GSA18V-125 , (2) 6 In. Bi-Metal Reciprocating Saw Blades
GSA18V-125K14A	18V EC Brushless 1-1/4 In.-Stroke Multi-Grip Reciprocating Saw GSA18V-125 , (1) 18V CORE18V Lithium-Ion 8.0 Ah Performance Battery GBA18V80 , 18V Fast Charger BC1880 , (2) 6 In. Bi-Metal Reciprocating Saw Blades, Carrying Case



Robert Bosch Tool Corporation

1800 W. Central Rd.
Mount Prospect, IL 60056
www.boschtools.com

2017-430