

127.00 mm

75.00 mm



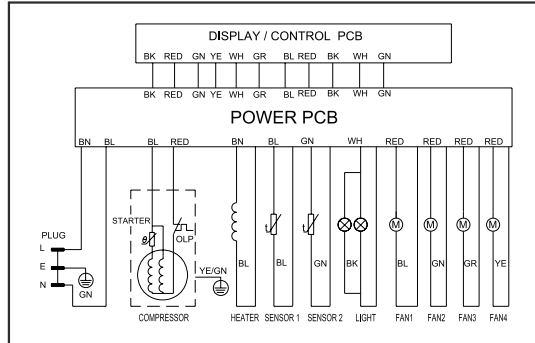
element
by vinotemp

WINE COOLER
Model: EL-142SDST



Intertek
3069814

CONFORMS TO
UL STD. 471
CERTIFIED TO
CSA STD. C22.2
NO. 120



BUILT-IN OR FREESTANDING INSTALLATION
MADE IN CHINA

SPECIFICATIONS

DESIGN PRESSURE	
HIGH SIDE	270 PSI
LOW SIDE	103 PSI
REFRIGERANT	R600a/2.19 Oz.
RATED VOLTAGE	115 V
RATED FREQUENCY	60 Hz
RATED CURRENT	1.4 A
PTC HEATER	0.8A
NET WEIGHT	287 lbs
CLIMATE TYPE	SN,N
INSULATION BLOWING GAS: CYCLOPENTANE	

PROD. NO.

082006010001

082006010001-082006010108