
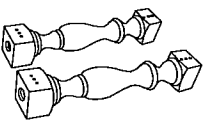


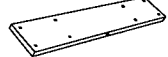
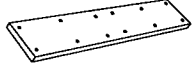
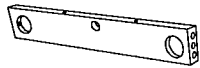
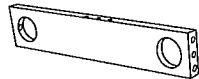

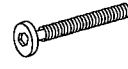


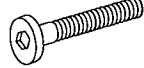
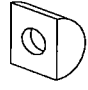


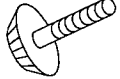

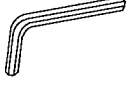
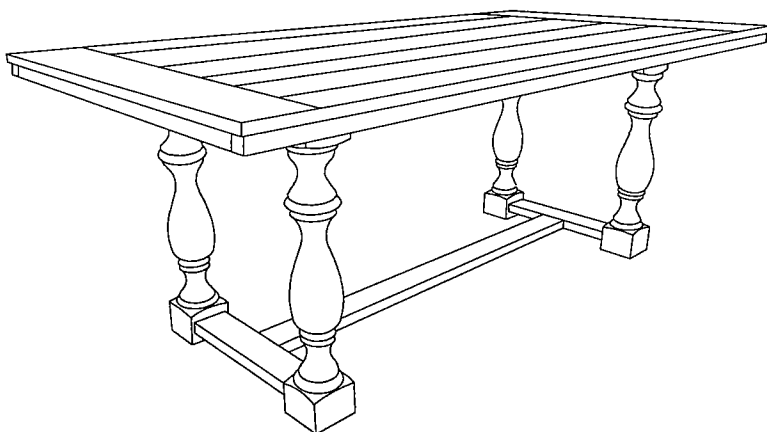


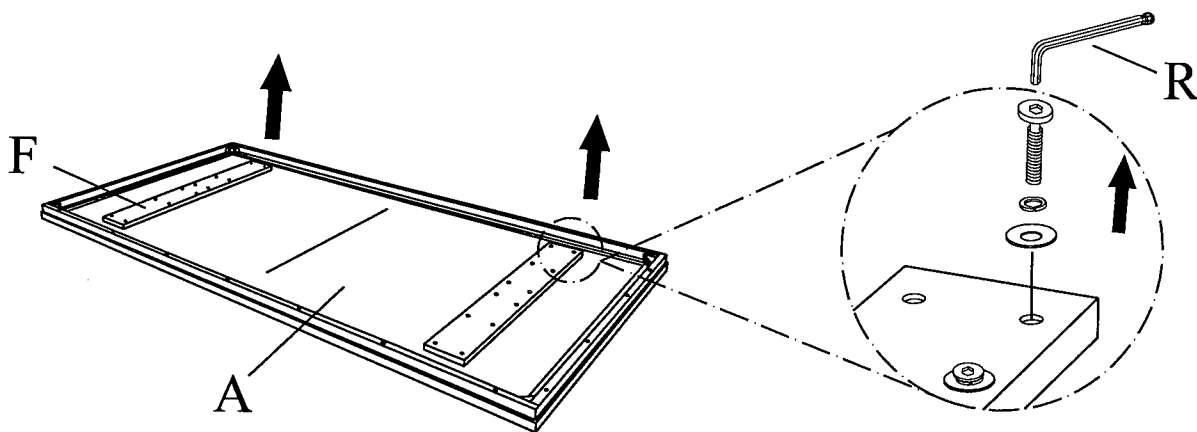
ASSEMBLY INSTRUCTION

A TABLE TOP  1 PC	B TURNED LEG  4 PCS	C UPPER TRESTLE BAR  1 PC	D LOWER TRESTLE BAR  1 PC
E UPPER SUPPORT BAR  2 PCS	F LOWER SUPPORT BAR (Unloose from step 1)  2 PCS	G UPPER RAIL  2 PCS	H LOWER RAIL  2 PCS
I JCBC BOLT M6 x 40MM (Unloose from step 1)  2 PCS	J JCBC BOLT M6 x 65MM  16 PCS	K SPRING WASHER M6 (Included 8 pcs from step 1)  18 PCS	L FLAT WASHER M6 (Included 8 pcs from step 1)  16 PCS
M JCBB BOLT M8 x 50MM  10 PCS	N NYLON WASHER M8  10 PCS	O PVC DOWEL M8 x 30MM  22 PCS	P CSK M4 x 38MM  8 PCS
Q LEVELER M8 x 22MM  4 PCS	R ALLEN WRENCH M4  1 PC	S ALLEN WRENCH M5  1 PC	

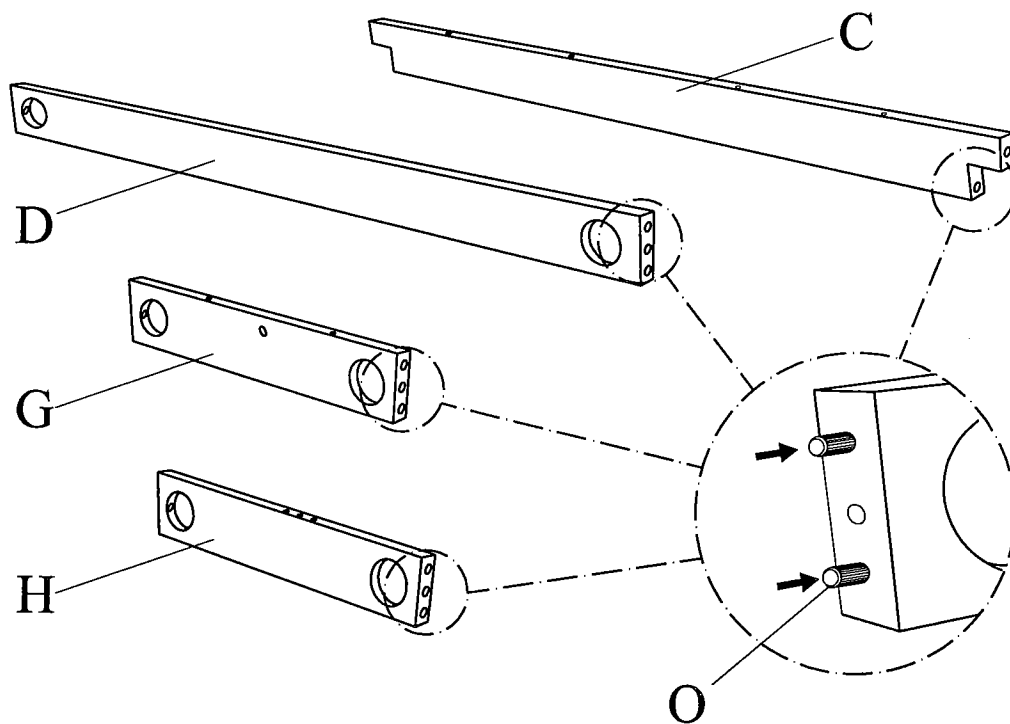


This Page lists all the contents included in the box. Please take the time to identify the hardware as well as the individual components to this product. As you unpack and prepare for assembly, place the contents on a carpeted or padded area to protect them from damage.

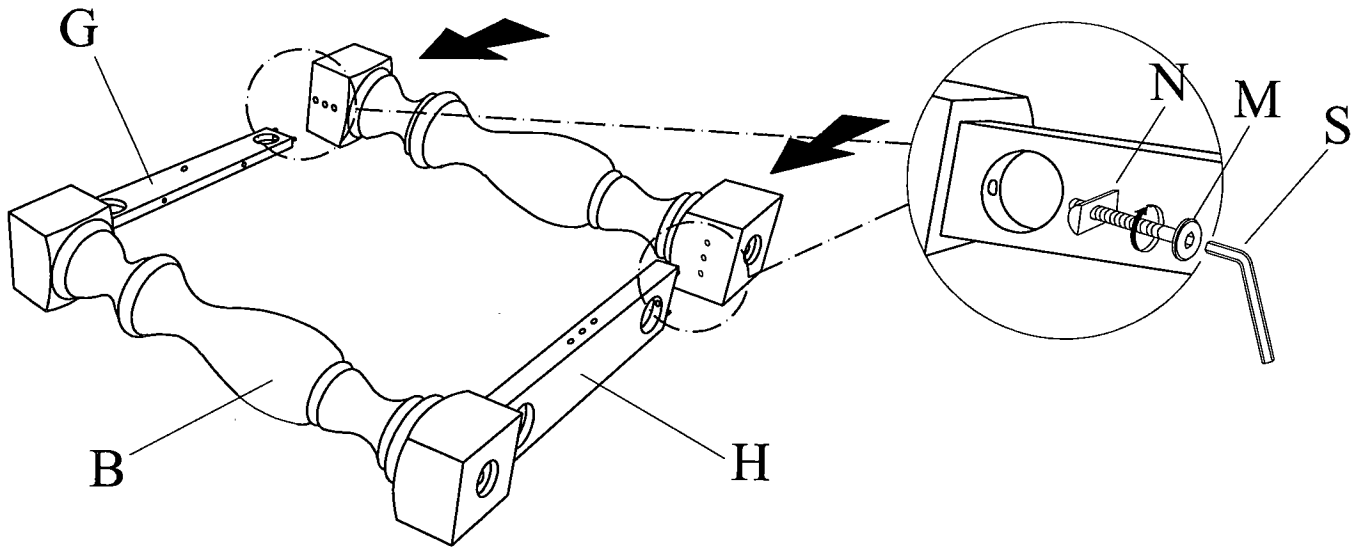
1 Please unloose 8 pcs bolt and spring washer and flat washer from the Lower Support Bar(F) which attached to Table Top(A) with Allen Wrench(R). Keep the hardware for below step use and Lower Support Bar(F) for step 4 use.



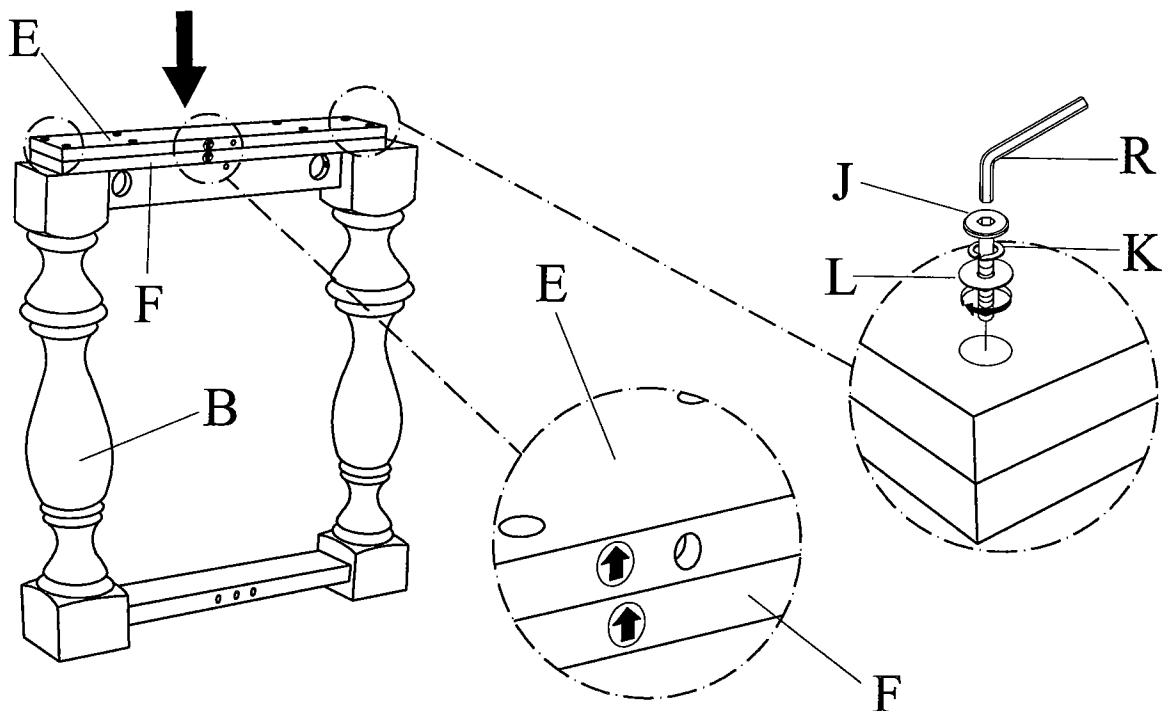
2 Insert PVC Dowel(O) to both end of Upper Trestle Bar(C), Lower Trestle Bar(D), Upper Rail(G), and Lower Rail(H).



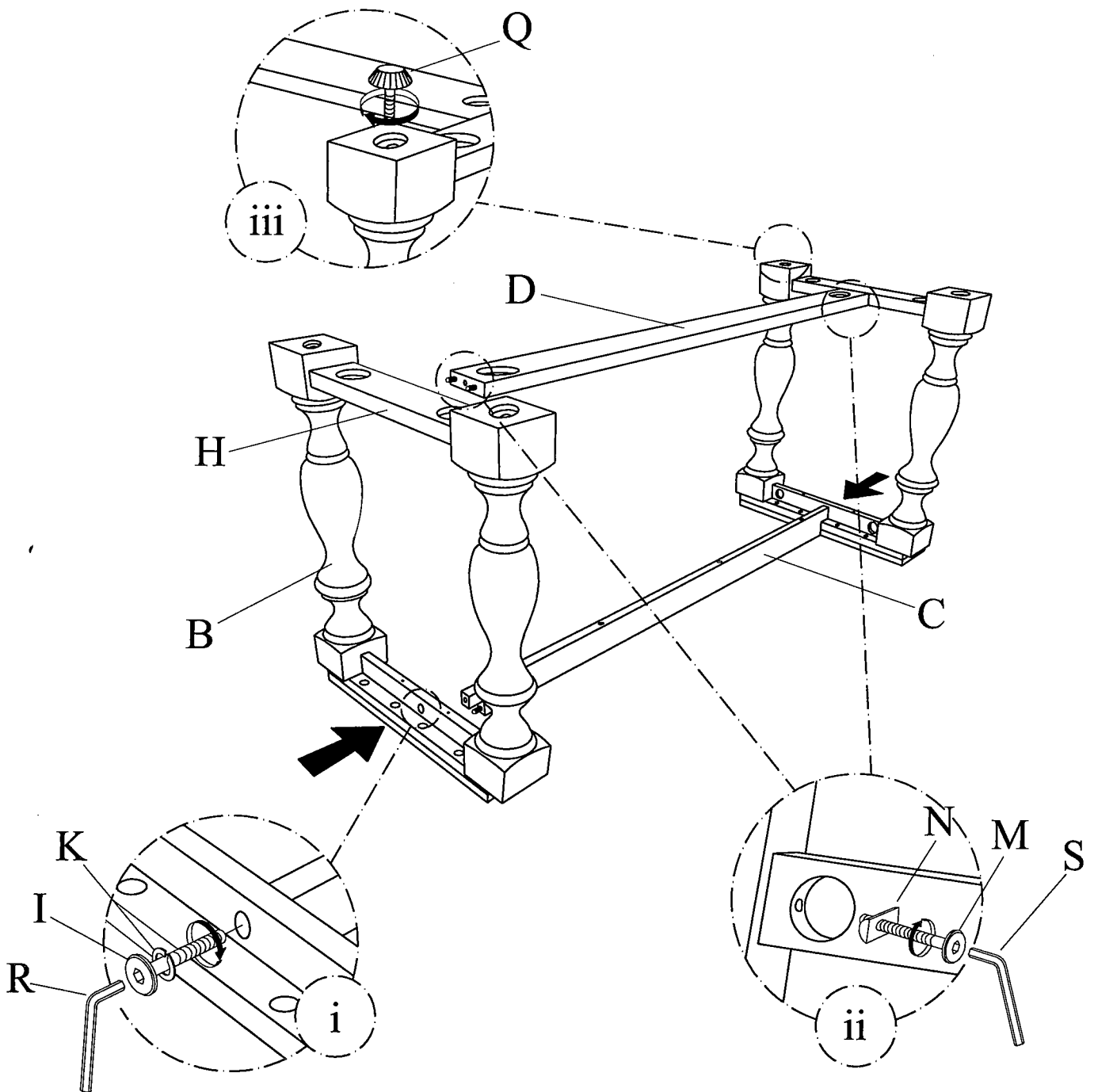
3 Align and fasten Upper Rail(G) and Lower Rail(H) to Turned Leg(B) using JCBB Bolt(M) and Nylon Washer(N) and tighten with Allen Wrench(S).



4 Align and fasten Lower Support Bar(F) and Upper Support Bar(E) to Turned Leg(B) using JCBC Bolt(J), Spring Washer(K) and Flat Washer(L). Please follow the arrow sticker direction as shown below. Fully tighten with Allen Wrench(R).



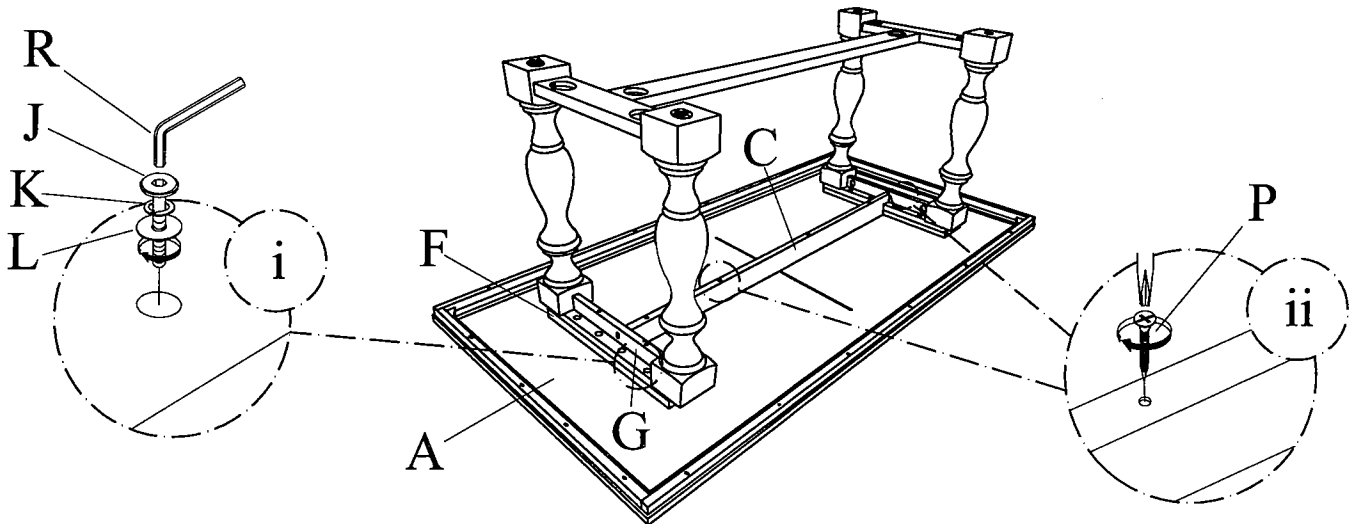
- 5** i) Flip Turned Leg(B) over, align and fasten Upper Trestle Bar(C) to Turned Leg(B) using JCBC Bolt(I) and Spring Washer(K). Do not fully tighten with Allen Wrench(R)
- ii) Align and fasten Lower Trestle Bar(D) to Turned Leg(B) using JCBB Bolt(M) and Nylon Washer(N) with Allen Wrench(S). Do not fully tighten the bolt until all bolt are attached.
- iii) Screw in the Leveler(Q) to bottom leg.



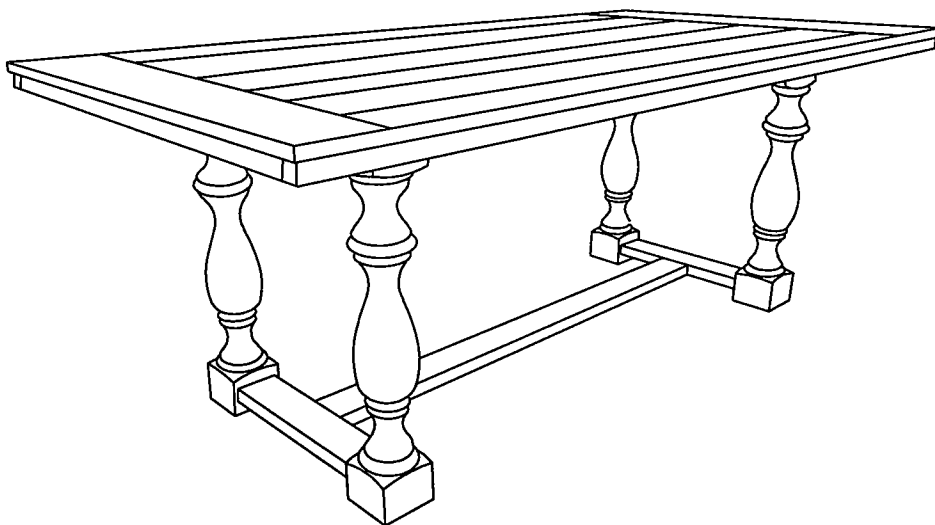
6 Place Table Top(A) upside down on soft surface. Align and fasten Lower Support Bar(F) to Table Top(A) using JCBC Bolt(J), Spring Washer(K), Flat Washer(L), and fully tighten with Allen Wrench(R).

i) Align and fasten Upper Rail(G) to Lower Support Bar(F) using CSK Screw(P) and fully tighten with screw driver (NOT INCLUDED).

ii) Align and fasten Upper Trestle Bar(C) to Table Top(A), using CSK Screw(P) and fully tighten with screw driver (NOT INCLUDED).



7 Stand table up on an even surface and check that it is balanced. If there is a slight wobble, please adjust the leveler.



Cleaning & Care

Treat Surface with care. Surface is resistant to scratches but is not scratch resistant. Clean surface with a dry or damp soft cloth. Do not use abrasive cleaners. Hardware may loosen over time. Periodically check that all connections are tight.