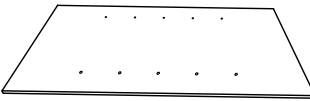

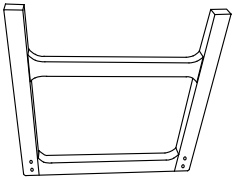
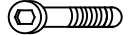




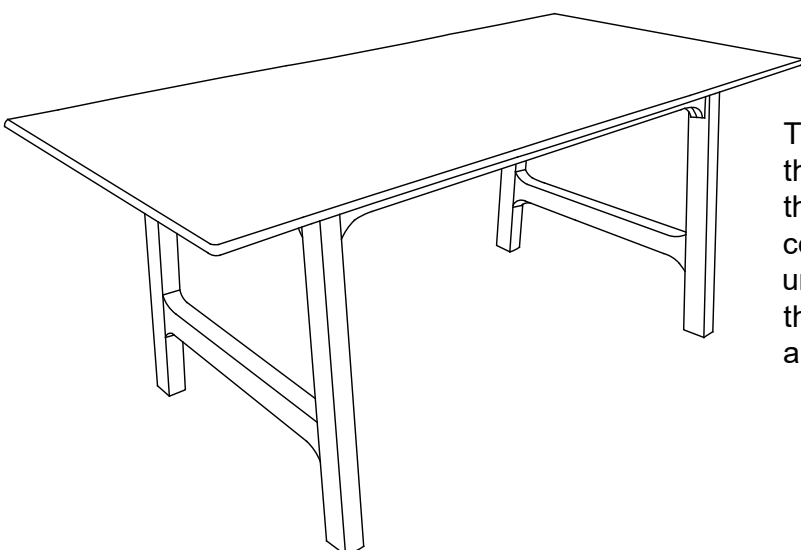


ASSEMBLY INSTRUCTION

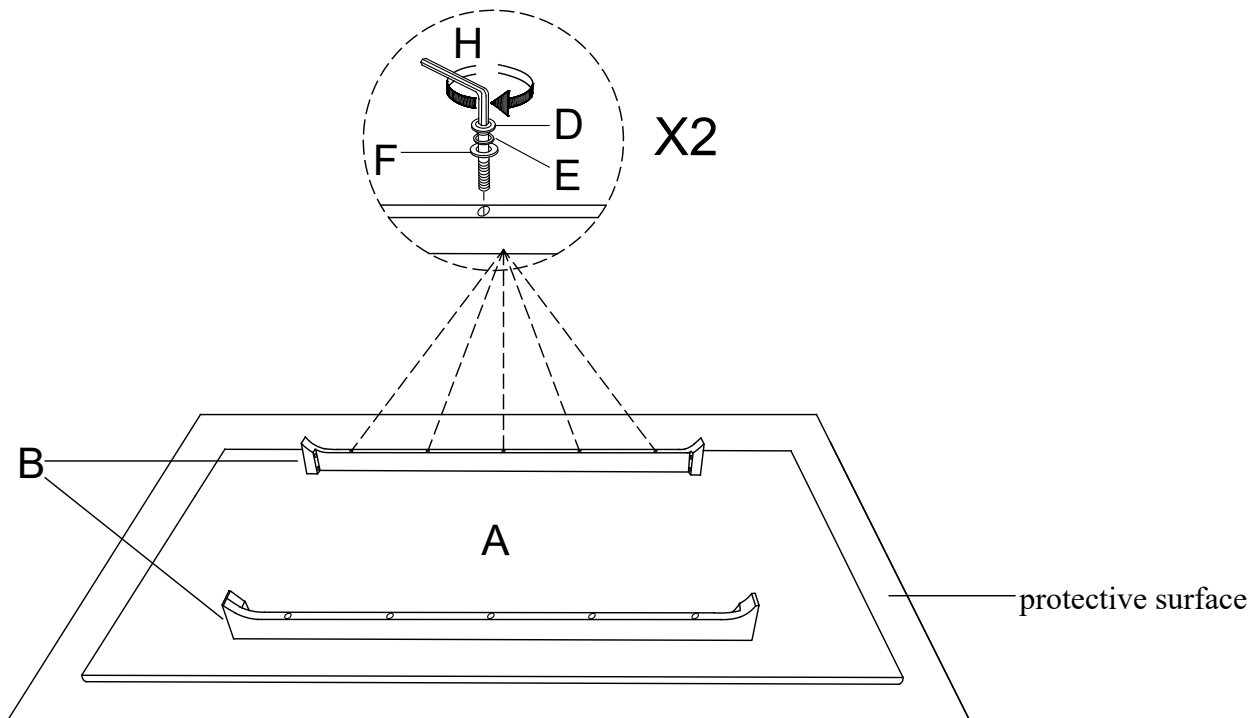
DINING TABLE

A Table Top 	B Apron 	C Leg Frame 	D JCBC Bolt M6 x 50mm 
E Lock Washer M8 x 12mm  18 pcs	F Flat Washer M8 x 13mm  10 pcs	G Flat Washer M8 x 18mm  8 pcs	H Allen Key M4  1 pc

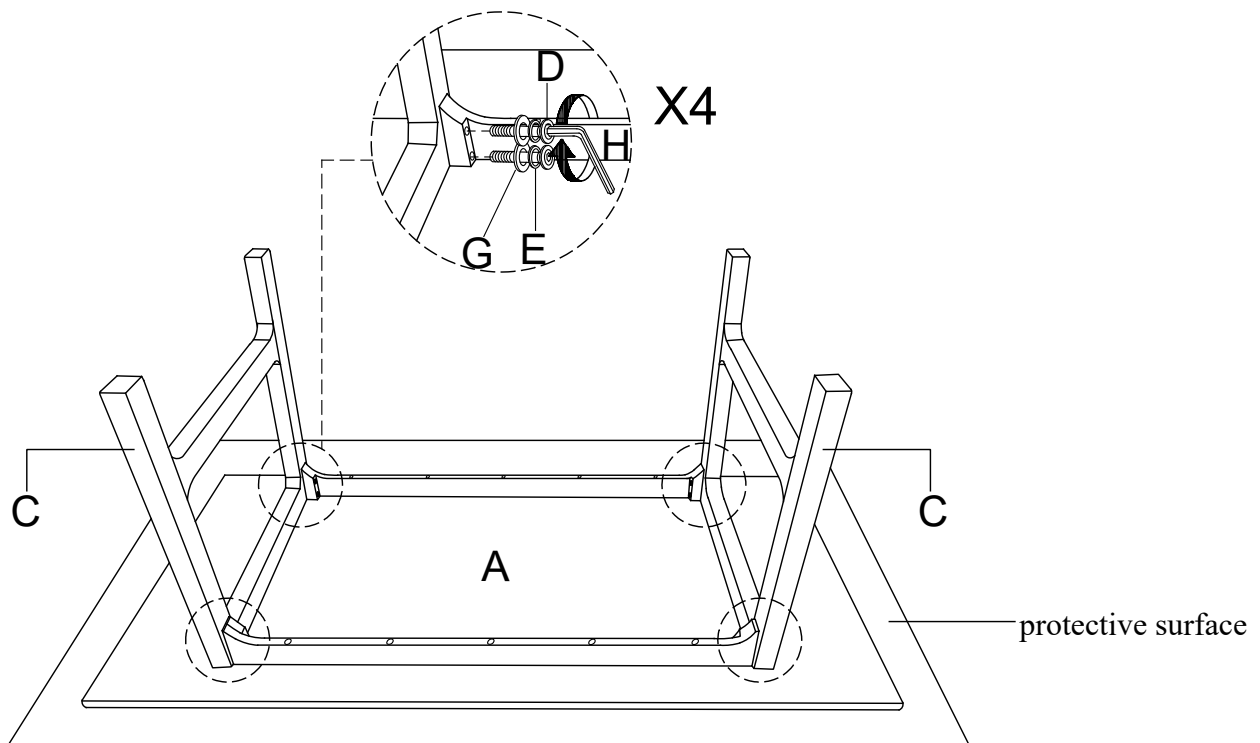


This page lists all the contents included in the box. Please take the time to identify the hardware as well as the individual components to this product. As you unpack and prepare for assembly, place the contents on a carpeted or padded area to protect them from damage.

-
- 1** Place the Table Top (A) on a protective surface. Attach the Apron (B) to the Table Top (A) using JCBC Bolt (D), Lock Washer (E) and Flat Washer (F) with Allen Key (H).
**Do not fully tighten the bolt until all bolts are attached.



-
- 2** Attach the Leg Frame (C) to the Apron (B) using JCBC Bolt (D), Lock Washer (E) and Flat Washer (G) with Allen Key (H).



Cleaning & Care

Treat surfaces with care. Surfaces are resistant to scratches but are not scratch resistant. Clean surfaces with a dry or damp soft cloth. Do not use abrasive cleaners. Hardware may loosen over time. Periodically check that all connections are tight.