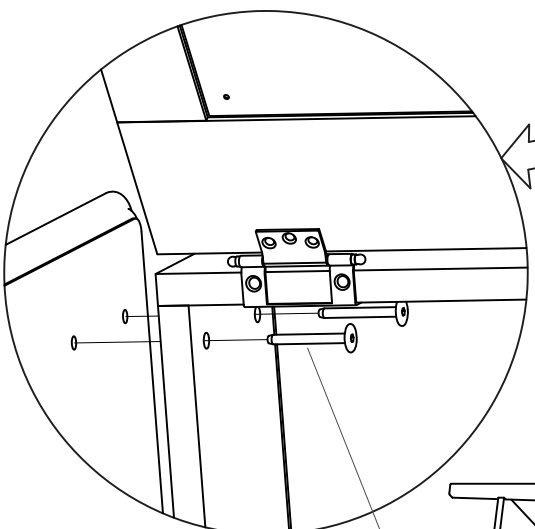


- STEPS:
1. Assemble Table according to separate instructions.
 2. Place Hutch on Table and align holes as shown.
 3. Insert (4) Connector Bolts into holes in Hutch and tighten.



CONNECTOR BOLT

PARTS LIST (INCLUDED)

	Connector Bolt	4 pieces
---	----------------	----------

ALLEN WRENCH REQUIRED FOR ASSEMBLY
(NOT INCLUDED)