

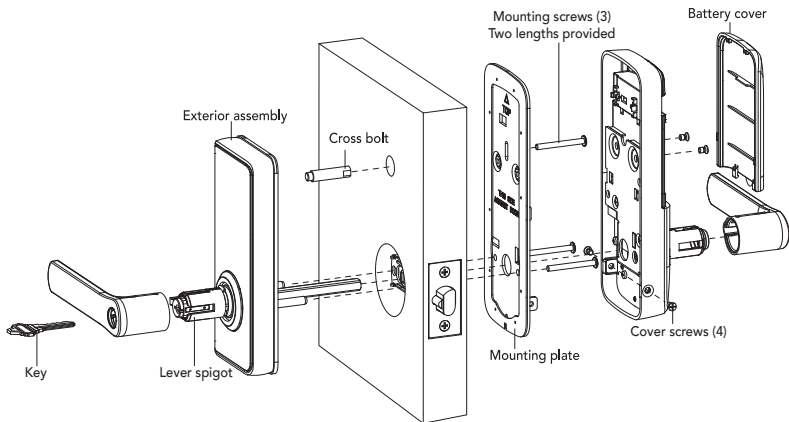


Schlage **Ease**TM

S2 SMART ENTRY LOCK

Quick Start Guide

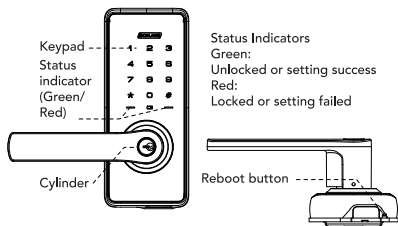
Parts



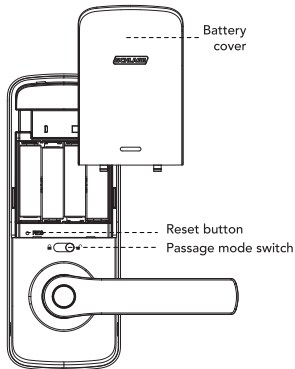
Also includes (not shown):
a) Strike plate & screws
b) 4 x AA Alkaline batteries

For more information visit schlage.com.au/ease or schlage.co.nz/ease

Exterior assembly



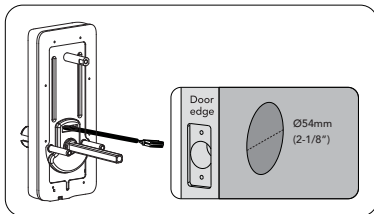
Interior assembly



Master and User PIN codes have 4-10 digits.
The default master PIN code is [12345678].
Please change it prior to programming of the lock.

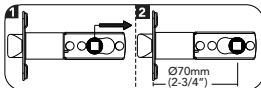
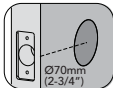
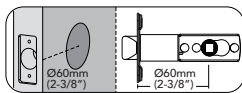
Preparing for installation

1. Measure the dimension of the hole on your door to ensure you have a 54mm hole, or use the drilling template provided.



2. Adjust the latchbolt.

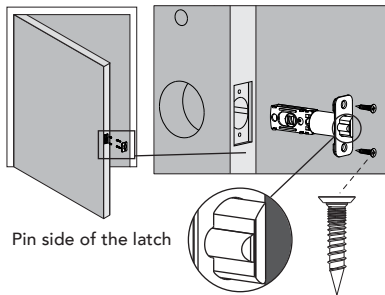
Slide the spindle hole position to suit 60mm (2-3/8") or 70mm (2-3/4") backset



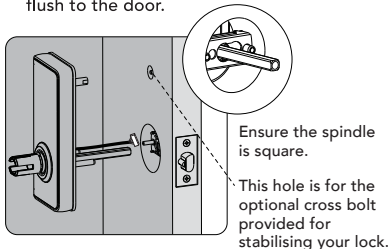
NOTE: Latch ships with backset in 60mm (2-3/8") position. If required, turn the latch case and pull to extend to 70mm (2-3/4") backset position.

Installation

1. Install latch on the door, ensuring the pin side of the latch is facing away from the door jamb/frame.



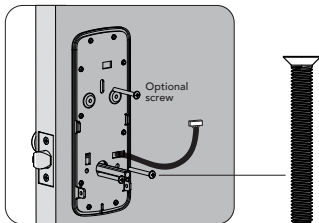
2. Install exterior assembly flush to the door.



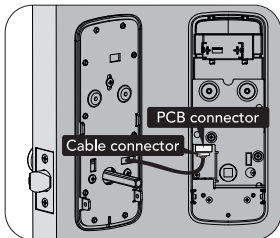
NOTE: Cable must go through door hole above the latch.

If you drilled a hole, securely tighten the post to the exterior Ease unit with the additional screw provided.

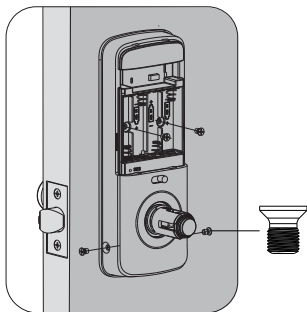
3. Position the inside mounting plate to sit flush on the door, ensuring the cable and spindle go through the holes in the mounting plate. Secure both assemblies using 8/32 screws provided. Make sure the exterior assembly is vertically aligned. If you added the cross bolt, securely tighten the post to the exterior Ease unit with the additional screw provided.



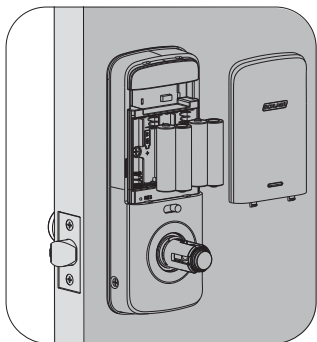
4. Attach cable assembly to the interior assembly PCB by lining up notches on top of cable connector to slots on PCB connector. Press connector in firmly until completely connected.



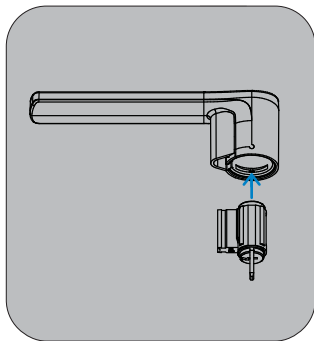
5. Install interior assembly on inside mounting plate. Secure using 4 screws through the interior assembly onto the mounting plate.



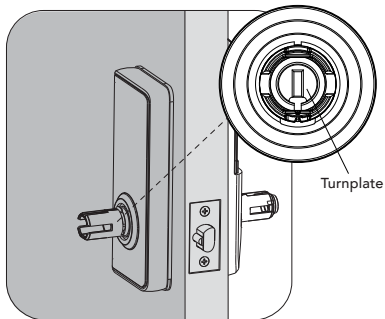
6. Install batteries and battery cover.



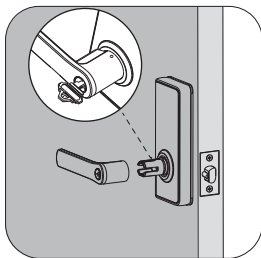
7. Insert the cylinder into the lever, ensure the cylinder sits flush within the lever.



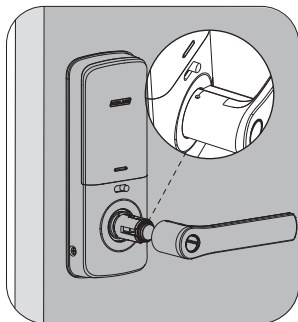
8. Using a flat head screwdriver, ensure the turnplate is set vertical.



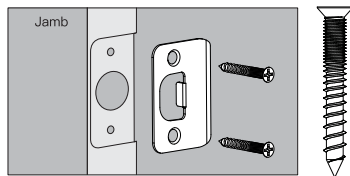
9. Insert the key into the cylinder and ensure the key is horizontal. Check handing to ensure the lever is pointing towards the hinges. Push the lever onto the lever spigot, you may need to turn the key to click the lever into place.



10. Install the internal lever ensuring the handle points towards the door hinges.



11. Install strike into door jamb.



Warnings

- Do not install batteries until the lock is completely installed on the door.
- Failure to follow these instructions could result in damage to the product and void the factory warranty.
- The accuracy of the door preparation is critical for the functioning and security of this product. Misalignment can cause performance degradation and lessening of security.
- Finish Care: This lockset is designed to provide the highest standard of product quality and performance. Care should be taken to ensure a long-lasting finish. When cleaning is required, use a soft, damp cloth. Do not use lacquer thinner, caustic soaps, abrasive cleaners or polishes as these can damage the coating and result in tarnishing.

Definitions

Fake PIN code:

Random numbers that are added before or after the user PIN. This prevents the user PIN from being exposed.

Master mode:

The master mode could be entered by entering [**Master PIN Code #] to program the lock.

Master PIN code:

The master PIN code is used for programming and for feature settings.

Passage mode:

The lock can be switched to passage mode by toggling the switch on the internal side. In this mode, it is unlocked inside/out and you may enter freely. You may still lock the unit externally by holding any key for 2 seconds. It will resume passage mode when unlocked via PIN or key override until the passage mode switch is shifted to the locked position. Note: Enabling and disabling passage mode can only be done on the internal side of the unit via the switch.

Reset button:

After reset operation, the lock will be restored to factory default settings, all user credentials will be deleted. Refer to page 11 for instructions on how to reset your lock.

Shutdown time:

The lock will shutdown for a default of 3 minutes and not allow operation after the wrong code entry limit (5 times) has been met. When the unit is in shutdown, the light will flash if you are trying to use the keypad.

Silent mode:

Disables the tone sound.

Status indicators:

Located on exterior assembly.

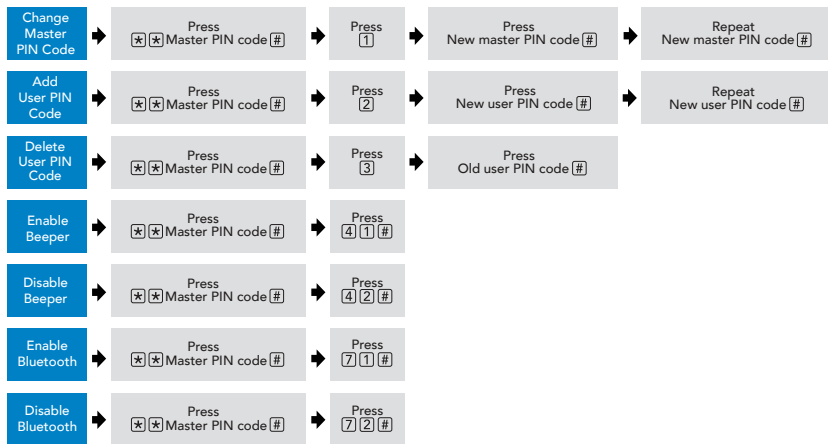
User PIN code:

The user PIN code operates the lock. Maximum number of user PIN codes is 20.

Hardware specifications

Item	Specifications	Notes
External assembly	165mm (L) x 70mm (W) x 22mm (D)	Operation temperature: -20°C to 55°C
Internal assembly	196mm (L) x 73mm (W) x 28mm (D)	
Battery	AA alkaline battery x 4 (Operation voltage: 4.6~6.0V)	Lasts up to one year (10 times open/close per day)

Lock operation



Notes;

1. After each successful setting entry, 2 green lights and 2 beep indicators will occur.
2. The beeping sound occurs only when sound is enabled.
3. If the indicators show 3 red lights and 3 beeps, your setting has failed and the system will exit master mode. Please enter master mode to try again.
4. Refer to page 9 for guidelines on setting PIN codes

Setting PIN codes

1. Master PIN Code (4–10 digit): Default master PIN code is “12345678”. It is essential the master PIN code is modified after installation to complete the setup process. If you forget your master PIN code, you can reset your lock back to factory settings (refer to page 11 for instructions).
2. User PIN Code (4–10 digit): User PIN codes can be set up through master PIN code. Up to 20 user PIN codes can be stored.
3. Both master and user PIN codes don't support the following combination of numbers.

A.

1	2	3	4	5	6	7	8	9
---	---	---	---	---	---	---	---	---

 ✕

Forward number sequence

B.

9	8	7	6	5	4	3	2	1
---	---	---	---	---	---	---	---	---

 ✕

Backward number sequence

C.

2	2	2	2	2	2	2	2	2
---	---	---	---	---	---	---	---	---

 ✕

Repeat number sequence

D. If

5	6	8	3
---	---	---	---

 ✓

Then

5	6	8	3	9	1
---	---	---	---	---	---

 ✕

and

9	1	5	6	8	3
---	---	---	---	---	---

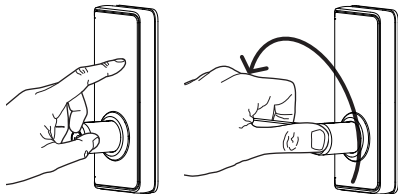
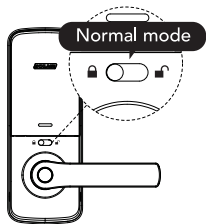
 ✕

Contain existing code sequence

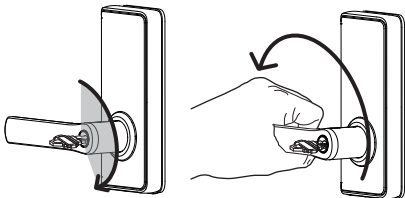
How to use

Normal mode

1. Enter the master or user PIN code, followed by #, then rotate the lever to open the door. Door will automatically re-lock 7 seconds later. If you wish to deactivate the 7-second auto re-lock feature, switch to passage mode (page 10).

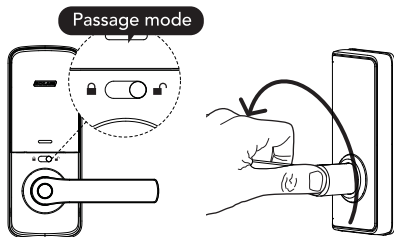


2. Alternatively, use the backup key provided.



Passage mode

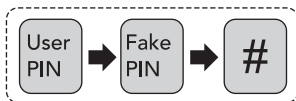
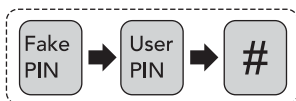
1. Rotate the lever directly to open the door.



2. Press any key on the keypad for 2 seconds to lock the door.



Unlock with fake PIN code



User can prevent PIN code exposure from strangers by entering random digits before or after PIN code.

Warranty conditions

The Schlage Ease™ provides a 2 year mechanical and electronic warranty. Our goods come with guarantees that cannot be excluded under the local consumer law. You are entitled to have the goods repaired or replaced if the goods fail to be of acceptable quality and the failure does not amount to a major failure. The warranty does not cover any defect or damage which may be caused or partly caused if the goods are not properly maintained, installed or are not suitable to the specified application.

Refer to our website for our finish warranty.

Factory default settings

Settings	Factory default
Master PIN code	12345678
Beeper	Enabled
Wrong code entry limit	5 times
Shutdown time	3 minutes
Bluetooth mode	Enabled

If you need to reset your lock, the reset button is located under the left-most battery in the battery casing. Use a pointed object, press and hold the reset button for over 5 seconds until you hear a beep.

Get mobile access with Schlage Abode

For an enhanced experience and additional functionality, try using the Schlage Ease™ with the Schlage Abode mobile application. Simply download the Schlage Abode app from the Apple App Store or the Google Play Store. Manage and control your lock with the ease of your smart phone for greater control and access.



Schlage Wi-Fi Bridge (AB100)

Empower your Schlage Ease™ lock with Wi-Fi capability. The Schlage Wi-Fi Bridge (AB100) pairs to your Schlage Ease™ lock, to provide you with a real-time connection through your smartphone.

Ask your retailer about the Schlage Wi-Fi Bridge (AB100), sold separately.





For more information visit
allegion.com.au/ease or **allegion.co.nz/ease**

Australia
1800 098 094
info.au@allegion.com
www.allegion.com.au

New Zealand
0800 477 869
nzinfo@allegion.com
www.allegion.co.nz

South East Asia
+65 6488 2562
sea.info@allegion.com
www.allegion.com

