

FieldSmart® Fiber Scalability Center (FSC)

Cross-Connect Cabinets: 432, 864 and 1,728 Ports



Application

The FieldSmart FSC Cross-Connect Cabinet is the complete solution for managing up to 1,728 fibers in most any feeder/distribution ratio for an outside plant FTTx application. This solution provides an interconnect environment from the feeder network and the distribution field in a FTTH network.

Description

With the Clearview® Cassette as its foundation, the FieldSmart FSC Cross-Connect Cabinet uses the same components as the FieldSmart Fiber Crossover Distribution System (FxDS) deployed in the central office. This enables service providers to standardize on a single building block, allowing them to stock a single fiber management component for either environment. Technicians also have the ease of working with a single fiber architecture for central office or outside plant deployment - saving training and installation time. Using Clearview, FieldSmart changes the rules of fiber management. Optimal access is ensured to all ports and superior fiber protection is integrated within the Clearview Cassette. Through the incremental design of the Clearview Cassette, user capacity can be scaled from as few as 12 ports to the maximum configuration of the cabinet, allowing the service provider to align the investment in capital equipment to the turn-up of revenue-generating circuits. Further, labor and other field costs are minimized through this craft-friendly layout.



Features and Benefits

Integrity

- Terminations are designed and tested to Telcordia GR-326
- Clearfield® FiberDeep® Guarantee: 0.2 dB insertion loss or less, exceeding industry standards
- Designed to comply to Telcordia GR-20, GR-487 and GR-3125
- Designed to meet NEMA 4 specifications
- Constructed with 0.125 (3.175 mm) aluminum
- Powder coated for additional protection
- 300 series stainless steel fasteners used on all cabinets

Protection

- 12-fiber Clearview Cassette protects fiber from environmental and human factors
- Rugged cable fittings protect the OSP cable breakouts from twisting and pistoning
- Patch only buffer tubes are fully protected with ruggedized bend-limiting tubing
- Snake skin sleeving provides additional buffer tube slack storage protection and manageability for patch and splice (Clearfield's in-cassette splicing solution) configurations

Access

- Clearview Cassette allows for quick visual troubleshooting without opening cassette
- Front access to pre-terminated assemblies with Clearview removable adapter plate
- Easy two captive fasteners for quick removal of individual cassettes for trouble shooting, splicing or replacing
- Front and rear access doors
- Top exit available in 432 Cross-Connect Cabinets

Investment

- Fiber is deployed in increments of 12, providing the users the ability to scale from 12 ports to full capacity, aligning capital investment with network layout or subscriber revenue
- Express ports allow for extensions or parallel networks through the cabinet
- Patch and splice configurations eliminate costs associated with jacketed IFC cabling, hand-holes and splice cases

FieldSmart® Fiber Scalability Center (FSC)

Cross-Connect Cabinets: 432, 864 and 1,728 Ports

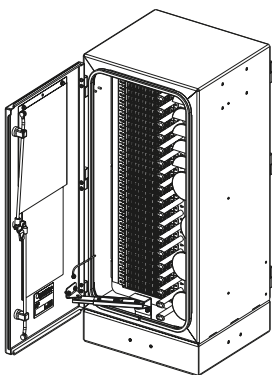


Technical Specifications

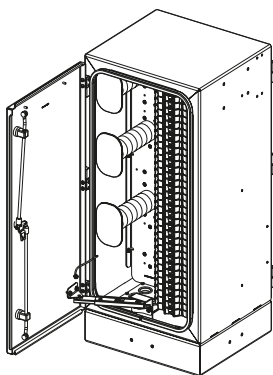
FieldSmart FSC Cross-Connect Cabinets	432 Port	864 Port	1,728 Port
Dimensions (<i>without riser</i>)	32" H x 16.78" W x 16.9" D (812.80 mm x 426.21 mm x 429.26 mm)	32" H x 33" W x 16.9" D (812.80 mm x 838.20 mm x 429.26 mm)	64" H x 33" W x 16.9" D (1625.60 mm x 838.20 mm x 429.26 mm)
Weight	54 lbs (24.49 kg)	86 lbs (39.01 kg)	172 lbs (78.02 kg)
Port Density	432	864	1,728
Cables Entrances	6	12	12
Mounting Options (Hoist kits included with each cabinet)	Vault mount; pole mount; pad mount	Vault mount; pad mount	Vault mount; pad mount
Standard Riser Base	4"; 6 lbs (101.60 mm; 2.72 kg)	4"; 8 lbs (101.60 mm; 3.63 kg)	4"; 8 lbs (101.60 mm; 3.63 kg)
Optional Riser Base	12"; 12 lbs (304.80 mm; 5.44 kg)	12"; 20 lbs (304.80 mm; 9.07 kg)	12"; 20 lbs (304.80 mm; 9.07 kg)
Cassette Types Supported	Clearview® Blue		
Connector Types	SC/UPC, SC/APC, LC/UPC, LC/APC		
Cable Types	Indoor/Outdoor, Outdoor (Riser/Non-Rated), Outdoor Armored (Riser/Non-Rated)		
Splice Capacity	12 splices in each Clearview Cassette		
Material	0.125 (3.175 mm) aluminum with almond powder coating		
Recommended Jumper Length	2 meters	2 meters	4 meters

Accessories

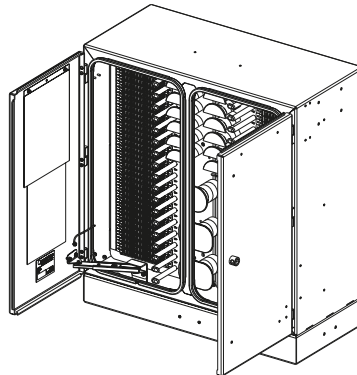
- Risers: 4" (101.60 mm) and 12" (304.80 mm)
- Exterior Ground Box — Available with 12" Riser Only
- FieldSmart Mid-Span/Feed-Through Plate Kit
- Pole Mount Kit
- Optional top exit available on 432 cross-connect



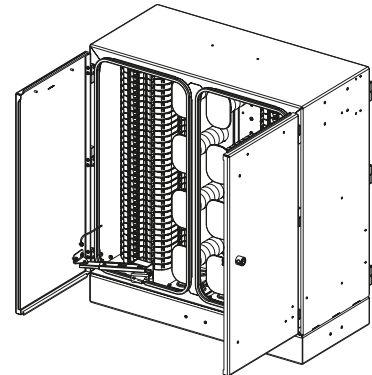
432 Port - Front



432 Port - Rear



864 Port - Front



864 Port - Rear

FieldSmart® Fiber Scalability Center (FSC)

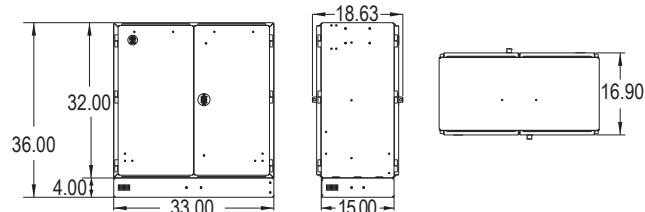
Cross-Connect Cabinets: 432, 864 and 1,728 Ports



Configured Part Numbers

864 Port Cabinet

R	Z										XXXM or XXXF*			
1	2	3	4	5	6	7	8	9	A	B	C	D		
1 Select Cabinet Type Q = Patch only with 4" (101.60 mm) riser R = Patch and splice with 4" (101.60 mm) riser 5 = Patch only with 12" (304.80 mm) riser 6 = Patch and splice with 12" (304.80 mm) riser	2 Select Connector Style A = SC/UPC C = SC/APC F = LC/UPC H = LC/APC	3 Select Mode / Type 1 = Singlemode - non-ribbon 2 = Singlemode - ribbon	4 Select Cable Construction B = OSP riser E = OSP, non-rated F = Patch and splice M = OSP armored Z = None or patch and splice ribbon	5 Select Feeder Port Count XX X = port court in increments of 12	6 Select # of 144 - Fiber Feeder Cables 0 = 0 3 = 3 1 = 1 4 = 4 2 = 2	7 Select # of 96 - Fiber Feeder Cables 0 = 0 3 = 3 1 = 1 4 = 4 2 = 2	8 Select # of 72 - Fiber Feeder Cables 0 = 0 4 = 4 1 = 1 5 = 5 2 = 2 6 = 6 3 = 3	9 Select Distribution Port Count XX X = port court in increments of 12	A Select # of 144 - Fiber Distribution Cables 0 = 0 3 = 3 1 = 1 4 = 4 2 = 2	B Select # of 96 - Fiber Distribution Cables 0 = 0 3 = 3 1 = 1 4 = 4 2 = 2	C Select # of 72 - Fiber Distribution Cables 0 = 0 4 = 4 1 = 1 5 = 5 2 = 2 6 = 6 3 = 3	D Extras B = Clearview Blue Cassettes F = Vented door with Clearview Blue M = Ground Box in riser and Clearview Blue N = Ground Box in riser, vented door, and Clearview Blue		
XXXM or XXXF XXXM = Length of pigtails in meters XXXF = Length of pigtails in feet *200 feet maximum														



Vault Options

864 and 1,728 Port Cabinets

Part Number	Description
V7A-CZP	Vault, below grade Pencil, 30" W x 48" L x 24" D (762.00 mm x 1219.20 mm x 609.60 mm), split HDPE lid, hex bolts, green, with cut out for FieldSmart cabinets, straight wall, with bolt kit
V7B-CZP	Vault, below grade Pencil, 30" W x 48" L x 36" D (762.00 mm x 1219.20 mm x 914.40 mm), split HDPE lid, hex bolts, green, with cut out for FieldSmart cabinets, straight wall, with bolt kit
V7B-HZP	Vault, below grade Pencil, 30" x 48" x 36" (762.00 mm x 1219.20 mm x 914.40 mm), split PC lid, hex bolts, gray, with knock out for FieldSmart Cabinets, straight wall, requires 020538 Bolt Kit - ordered separately
V8A-CZP-F	Vault, Pencil 36" x 60" x 24" (914.40 mm x 1524.00 mm x 609.60 mm), complete split lid with 1/2 cut out for FieldSmart cabinets - with bolt kit, flared wall
V8B-CZP-F	Vault, Pencil 36 x 60 x 36" (914.40 mm x 1524.00 mm x 914.40 mm), complete split lid, with 1/2 cut out for FieldSmart cabinets - with bolt kit, flared wall
V9B-HZP-F	Vault, Quazite 48 x 48 x 36" (1219.20 mm x 1219.20 mm x 914.40 mm), complete split polymer lid, cut out for 864 FieldSmart cabinets, fiberglass straight wall, requires 020538 Bolt Kit - ordered separately

Configured Part Numbers

1,1728 Port Cabinet

Please contact your Clearfield® representative for more information on ordering this option.