
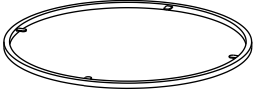

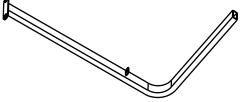
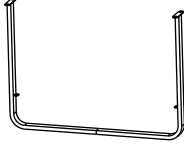


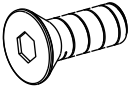
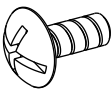
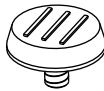

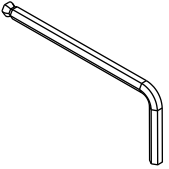
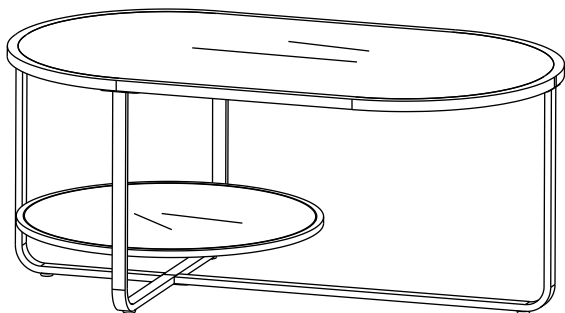


ASSEMBLY INSTRUCTION

OVAL COCKTAIL TABLE WITH ANTIQUE MIRROR TOP

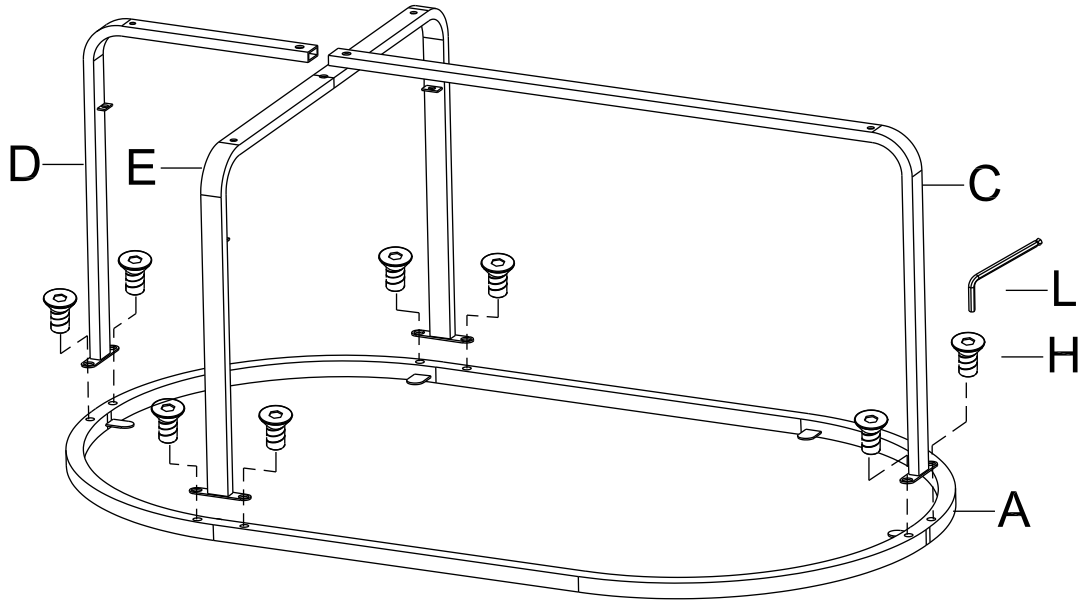
A Top Frame  1pc	B Bottom Frame  1pc	C Long Stretcher  1pc	D Short Stretcher  1pc
E U-Shaped Stretcher  1pc	F Mirror Shelf  1pc	G Mirror Top  1pc	H Bolt 1/4" x 1/2"  11pcs
I Screw 3/16" x 1/2"  3pcs	J Leveler 10mm  4pcs	K Metal Sheet 28 x 80mm  1pc	L Allen Wrench 1/4"  1pc



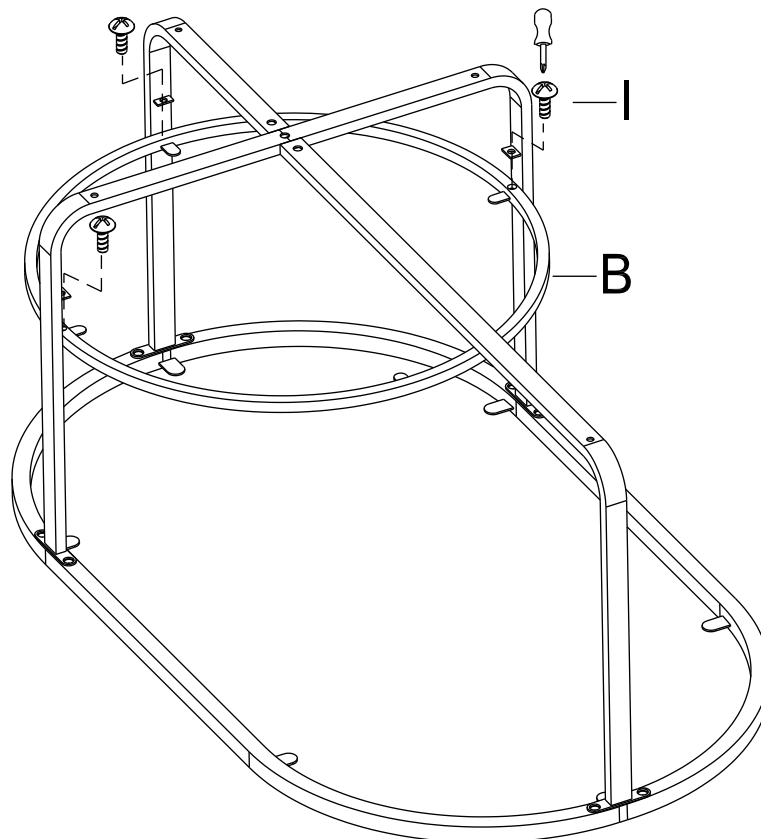
This page lists all the contents included in the box. Please take the time to identify the hardware as well as the individual components to this product. As you unpack and prepare for assembly, place the contents on a carpeted or padded area to protect them from damage.

***** Do not tighten screws & bolts until the entire unit is completely assembled.**

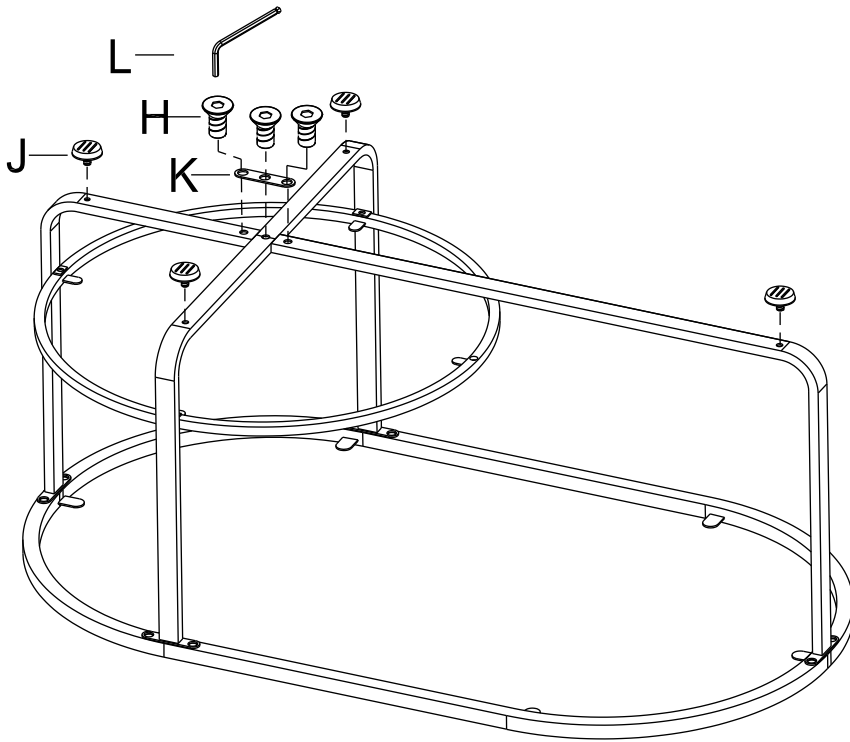
1 Attach U-Shaped Stretcher (E), Long Stretcher (C) and Short Stretcher (D) to Top Frame (A) by Bolt (H) and Allen Wrench (L) as shown.



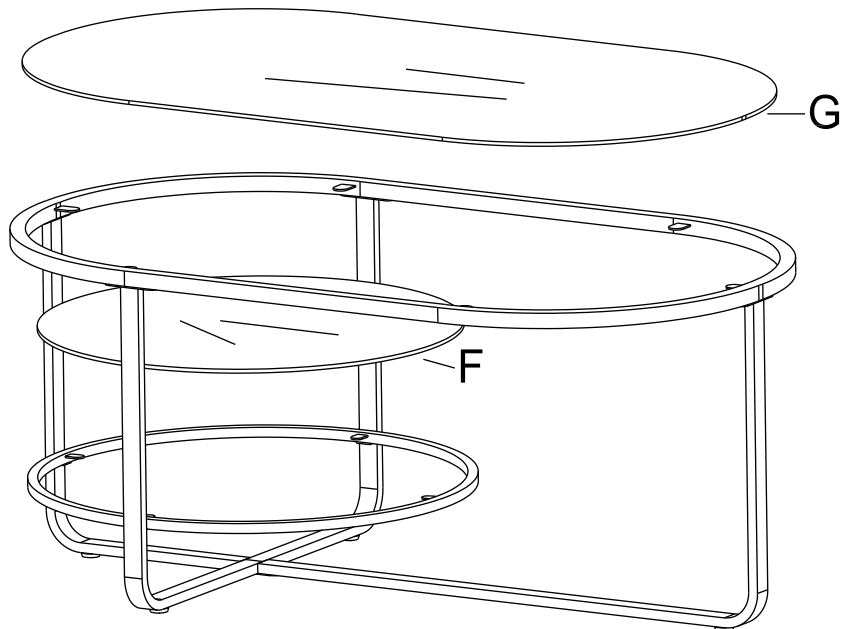
2 Attach Bottom Frame (B) to stretchers by Screw (I) as shown.



- 3** Attach Metal Sheet (K) to stretchers by Bolt (H) and Allen Wrench (L). Then, attach Leveler (J) to stretchers as shown.



- 4** Place Mirror Top (G) and Mirror Shelf (F) as shown.



Cleaning & Care

Treat surface with care. Surface is resistant to scratches but is not scratch resistant. Clean surfaces with a dry or damp soft cloth. Do not use abrasive cleaners. Hardware may loosen over time. Periodically check that all connections are tight.