



RiverBath® | K-1397-H3

75" x 75" drop-in whirlpool with heater without jet trim

Features

- Four Riverjets and eight hydromassage jets can be individually adjusted for water flow and direction
- Two variable-speed pumps for adjusting massage intensity
- Built-in heater
- Lighted keypad control
- Floating remote control
- Spacious design accommodates multiple bathers
- Integral fill with factory-installed faucet valves
- Requires jet trim kit (sold separately)
- Four pillows provide extra comfort



1-800-4KOHLER (1-800-456-4537)
Kohler Co. reserves the right to make revisions without notice to product specifications.
For the most current specification sheet, go to www.kohler.com USA or www.kohler.ca Canada.
5-12-2026 18:30 - US-CA

THE BOLD LOOK
OF **KOHLER**

Codes/Standards

ASME A112.19.7/CSA B45.10
 CSA B45.5/IAPMO Z124
 ASTM E162
 ASTM E662
 UL 1795
 CSA C22.2 No. 218.2
 cUL Listed
 UL Listed

Technical Information

All product dimensions are nominal.

| | |
|----------------------|-------------------------------|
| Drain Location: | Center |
| Drain Hole Diameter: | 2-1/4" (57 mm) |
| Basin Area, Bottom: | 64" x 46" (1626 mm x 1168 mm) |
| Basin Area, Top: | 68" x 58" (1727 mm x 1473 mm) |
| Water Depth: | 20" (508 mm) |
| Water Capacity: | 215 gal (813.9 L) |
| Minimum Floor Load: | 54 lbs/ft ² |
| Weight: | 290 lbs (131.5 kg) |

Material

- Acrylic

Recommended Products/Accessories

K-23726 Drain treatment
 K-23732 Tub & shower cleaner

Required Products/Accessories

- K-T9540-4 Deck-mount trim for transfer valve/vacuum breaker with lever handle, valve not included
 - K-9398 Whirlpool trim kit
- or
- K-T37392 Rotary-turn bath drain trim
 - K-T37391 Rotary-turn bath drain trim
- or
- K-78439 45" cable bath drain
 - K-37385 Rough-in cable drain, PVC, 45" cable, less horizontal tube
- or
- K-78438 30" cable bath drain
 - K-37383 Rough-in cable bath drain, PVC, 30" cable with tubing

Required Electrical Service

Two dedicated circuits required, protected with Class A Ground-Fault Circuit-Interrupter (GFCI). Outside North America, this device may be known as a Residual Current Device (RCD).

| | |
|-------------|-----------------------|
| Pump, Pump: | 240 V, 20 A, 50/60 Hz |
| Heater: | 240 V, 20 A, 50/60 Hz |

Electrical Component Ratings

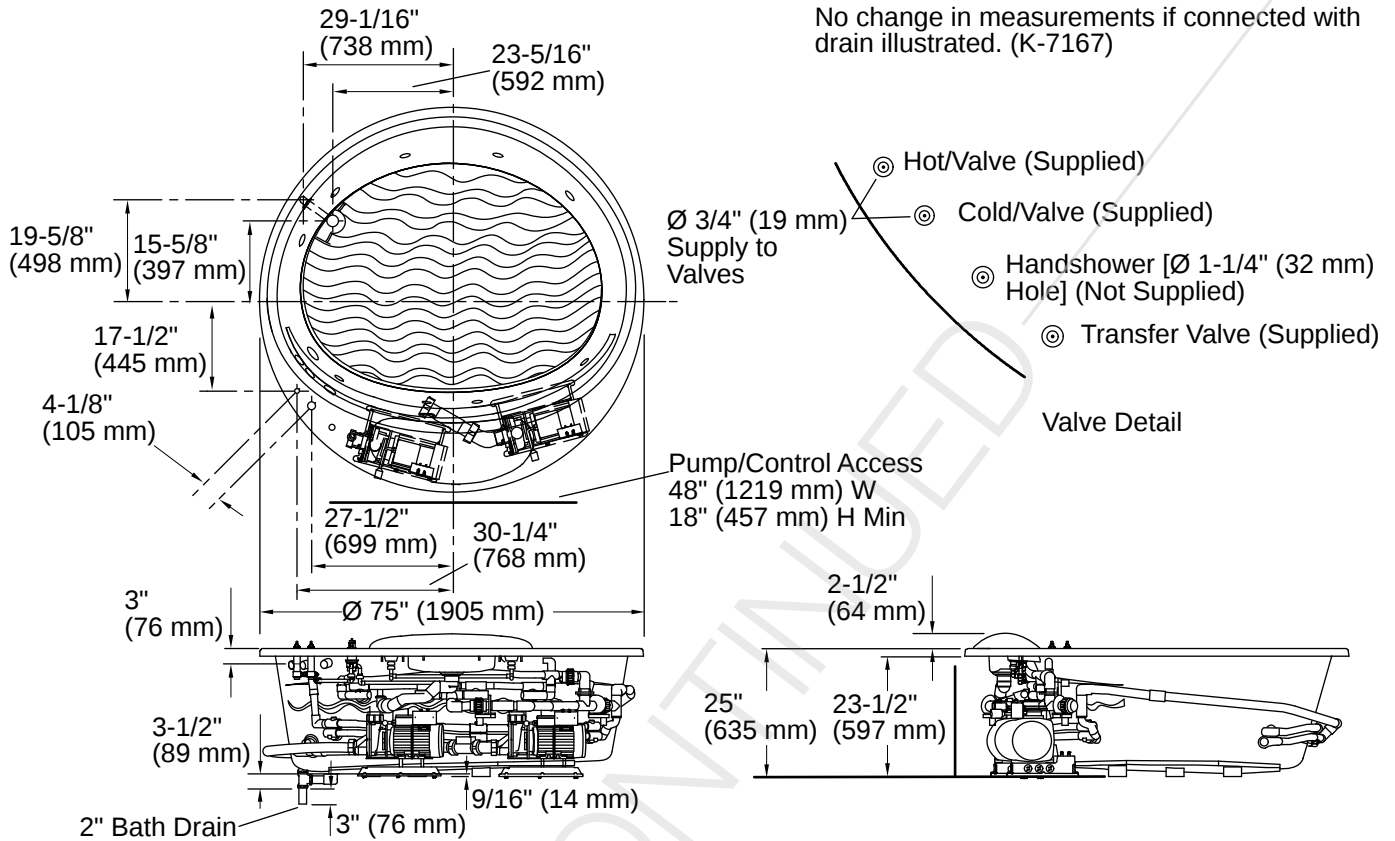
| | |
|-------------------|-------------------------------|
| Pump: | 240 V, 9 A, 50/60 Hz |
| Number of Speeds: | Variable |
| Pump: | 240 V, 9 A, 50/60 Hz |
| Number of Speeds: | Variable |
| Heater: | 240 V, 17 A, 50/60 Hz, 4000 W |

Warranty

See website for detailed warranty information.

KOHLER® Plastic Baths and Shower Bases Lifetime Limited Warranty|KOHLER® Hydrotherapy Components Five-Year Limited Warranty





Installation

- Drop-in

Installation Notes

Install this product according to the installation instructions.

Measure your actual product for rough-in details.

The hot water supply should be 70% of the capacity of the bath or greater. Installations will vary.

Consult local and national codes for minimum air gap requirements when installing a spout on the faucet deck other than that supplied.

