

Aimpoint®

3X-C™ Magnifier User manual



THE FUTURE IN SIGHT.

1 PRESENTATION

The Aimpoint® 3X-C Magnifying module can be used in conjunction with all Aimpoint sights for long-range aiming or observing. A variable (-2 to +2) dioptic setting allows this magnifier to be adapted to the individual shooter's eye. The Aimpoint 3X-C can also be used as a handheld 3X monocular.

Aimpoint magnifiers utilize the red dot in Aimpoint sights as the aiming reticle, eliminating the need for re-zeroing when shifting between non-magnified and magnified aiming.

The Aimpoint 3X-C is encased in a shock absorbing protective rubber cover that also creates an ideal ergonomic grip. Internal optical adjustments make the aligning of the magnifier and sight quick and easy.

For quick attachment/detach, we recommend the use of the Aimpoint FlipMount or the Aimpoint TwistMount.

1.1 Overview

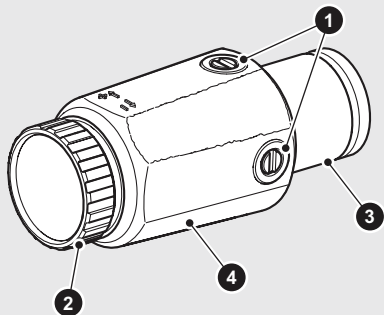


Fig. 1 Overview

1. Screws for centering
2. Diopter ring
3. Mounting surface
4. Rubber cover

1.2 Technical specifications

Optical system

Magnification	3X
Exit pupil diameter	6.5 mm
Field Of View (FOV)	6°
Diopter adjustment range	± 2.0D
Eye relief	56 mm
Photopic, integral transmission	75 %

Physical specification

Material housing	Anodized black aluminum, black rubber cover
Dimensions (L × W × H):	103 mm × 45 mm × 45 mm (4" × 1 ¾" × 1 ¾")
Weight	220 g (7.8 ounces) including rubber cover

Mechanical interface

The 3X-C is provided with a 30 mm diameter tube for mounting

Environmental specification

Temperature range	-25 °C to +40 °C
Humidity	+40 °C, RH: 95 %
Immersion	0.5 m (1.64 ft)

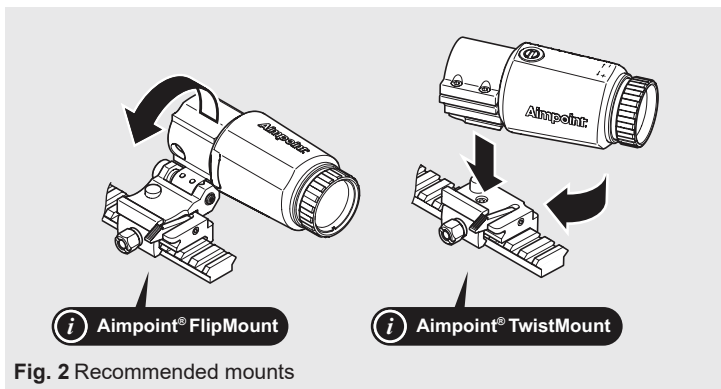
2 OPERATION

WARNING: Ensure the weapon is not loaded and the safety selector is in the "safe" position before attempting to install, remove or perform maintenance on the 3X-C - other than attaching/detaching it under normal use.

2.1 Installing the Aimpoint® 3X-C on a weapon

The mounting surface (3) of the 3X-C allow for mounting to any 30 mm diameter ring mount. Follow the manufacturer's instructions when installing the 3X-C.

For quick attachment/detach, we recommend the Aimpoint FlipMount or the Aimpoint TwistMount as shown in Fig. 2.



The height of the mount is correct when the optical axis of the 3X-C and the Aimpoint sight coincide. Select a suitable position for the 3X-C on the weapon base so the eye relief is correct and feels comfortable.

Assemble the 3X-C to the chosen mount and install it on the weapon. The 3X-C shall be mounted with the Aimpoint logo to the left.

Carefully tighten the mount to the weapon base and retighten after a few rounds.

NOTE: Any adjustments (see 2.2) of the 3X-C does not affect the point of impact.

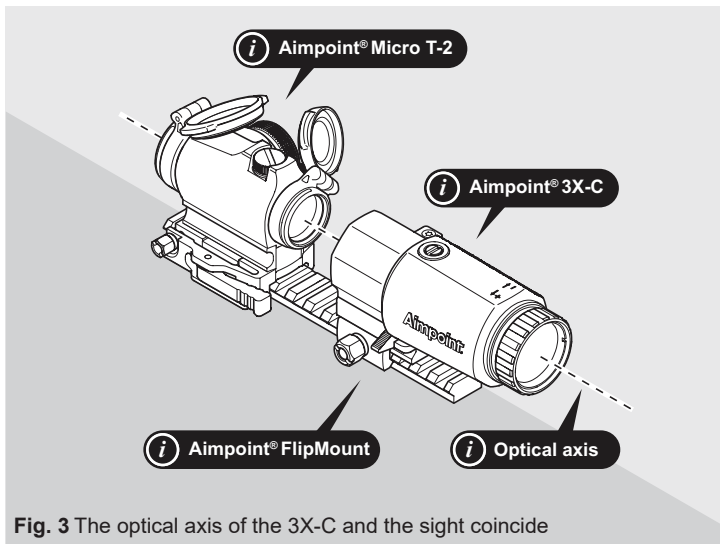


Fig. 3 The optical axis of the 3X-C and the sight coincide

2.2 Centering

The 3X-C does not need to be zeroed. However, an Aimpoint sight used together with the 3X-C must be zeroed so the red dot of the sight creates the correct point of impact.

The 3X-C has two screws (1) that allow the user to center the red dot of the Aimpoint sight when viewed through the 3X-C. Centering the dot inside the 3X-C is not necessary, but creates a more natural feel.

CAUTION: Do not continue to adjust the screws if you encounter resistance.

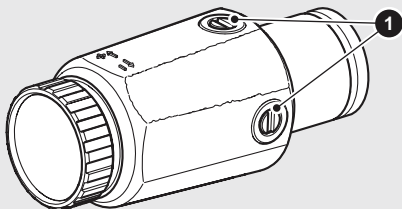


Fig. 5 Centering

1. Screws for centering

2.3 Diopter setting

Additionally, on the 3X-C it is possible to adjust the diopter setting by rotating the diopter ring (2) as shown in Fig. 4.

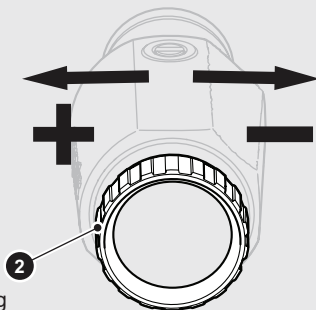


Fig. 4 Diopter setting

2. Diopter ring

3 EXTREME CONDITIONS

Use in extreme heat or cold, salt air, sea spray, water, mud and snow, dust and sand storms or high altitudes does not require any special procedures.

4 MAINTENANCE

To reach maximum protection level for all weather conditions, wax is added into the rubber mixture. The wax is slowly migrating to the surface of the part. The wax is used up completely during frequent use and is not noticed by the user. For long time storage, the wax is not used up as frequently and is seen as a grey film on the surface. Wipe with a damp cloth to restore to its original condition.

CAUTION: Never clean the lenses with the fingers. Use a lens paper/cloth. If no lens paper/cloth is available, simply blow away the dirt or fog up the lenses and dry them with a clean and soft piece of cloth.

Aimpoint AB

Jägershillgatan 15
SE- 213 75 Malmö, Sweden
Phone +46 (0)40 671 50 20
Fax +46 (0)40 21 92 38
e-mail info@aimpoint.se

Aimpoint Inc.

14103 Mariah Court
Chantilly, VA 20151-2113, USA
Phone +1 703-263-9795
Fax +1 703-263-9463
e-mail info@aimpoint.com

WWW.AIMPOINT.COM

© 2016 Aimpoint AB. [14607-1]

