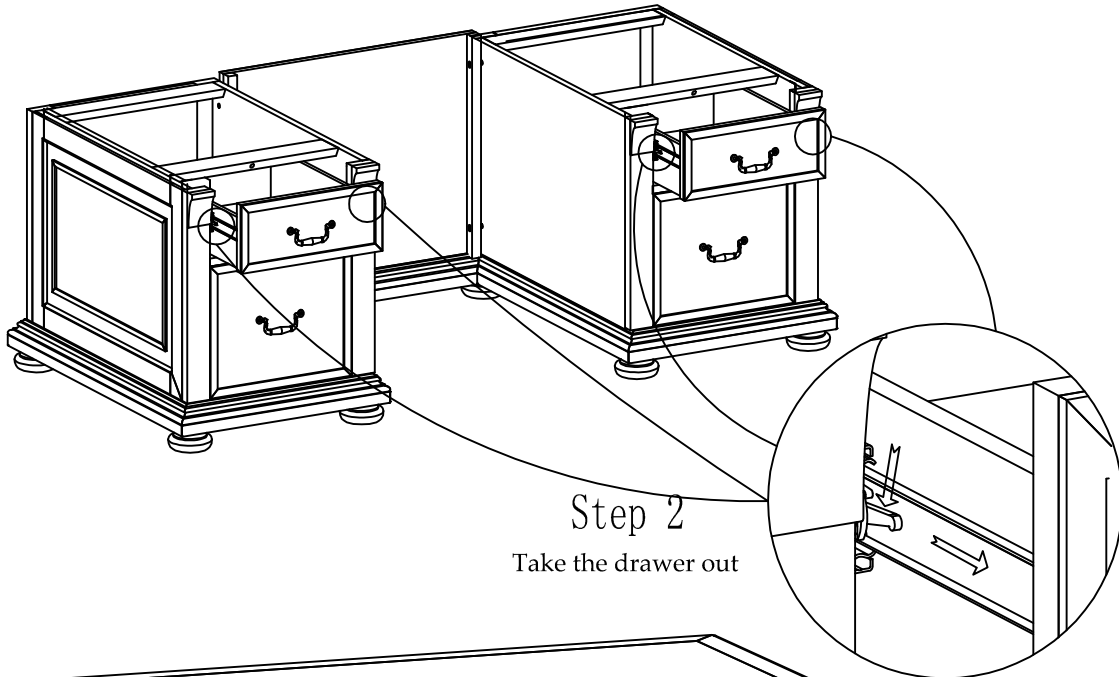


HEKMAN

A HOWARD MILLER COMPANY

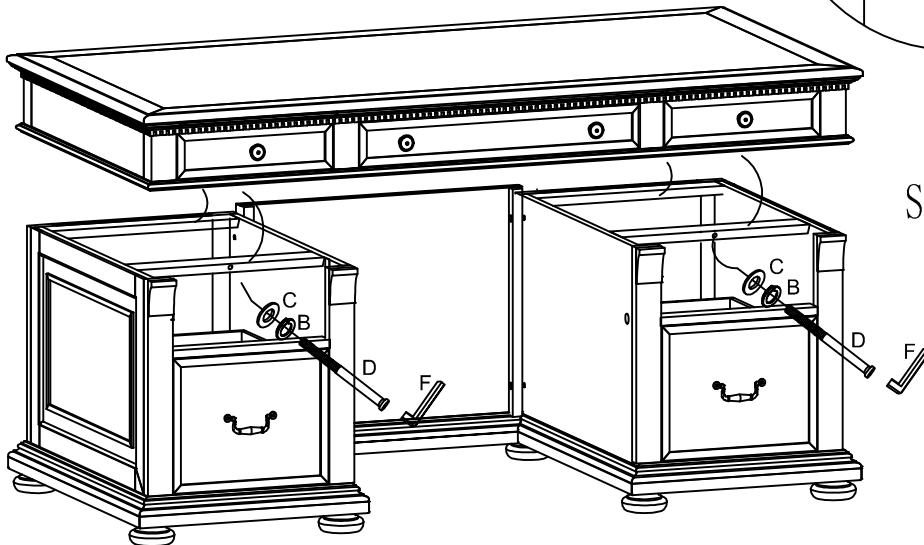
ASSEMBLY INSTRUCTIONS

79300-Executive Desk



Step 2

Take the drawer out



Step 3

Step 2: Remove the upper drawers in both pedestals - Open drawer fully to expose the release levers in the center of the drawer slide. Push the lever on the left side up, and the lever on the right side down to release drawer. With levers pushed gently tug the drawer out of the desk

Step 3: Place the top assembly on the bases with Bolt (D), Lock Washer (B) and Washer (C) using wrench (F). Install and close the drawers after assembling.

MADE IN VIETNAM