



# Highline® | K-6393-RA

Two-piece elongated toilet, dual-flush

## Features

- Two-piece design
- Elongated bowl offers added room and comfort
- Comfort Height® feature offers chair-height seating that makes sitting down and standing up easier for most adults
- Right-hand nested trip lever offers a choice of 1.1 or 1.6 gallons per flush (gpf)
- Combination consists of toilet bowl and tank
- Dual-flush technology allows you to choose between a full or partial flush
- Eligible for consumer rebates in some municipalities
- 2-1/8" (54 mm) fully glazed trapway



## Sustainability



## Available Colors/Finishes

*Color tiles intended for reference only.*

- 0 White
- 96 Biscuit



1-800-4KOHLER (1-800-456-4537)  
Kohler Co. reserves the right to make revisions without notice to product specifications.  
For the most current specification sheet, go to [www.kohler.com](http://www.kohler.com) USA or [www.kohler.ca](http://www.kohler.ca) Canada.  
4-15-2026 5:1 - US-CA

THE BOLD LOOK  
OF **KOHLER**®

## Codes/Standards

ADA, OBC, CSA B651 compliant when installed to the specific requirements of these regulations.  
Accessibility standards may require controls to be located on the open side of the toilet.  
Plumbing codes may require elongated toilets and elongated, open-front seats in public bathrooms.



ASME A112.19.2/CSA B45.1  
EPA WaterSense®  
ADA  
ICC/ANSI A117.1  
CSA B651  
OBC

## Technical Information

|                       |                                |
|-----------------------|--------------------------------|
| Rough-in:             | 10"                            |
| Flush Type:           | Class Five                     |
| Flush Rate:           | 1.1 or 1.6 gpf (4.2 or 6 lpf)  |
| Bowl Shape:           | Elongated                      |
| Seat-Mounting Holes:  | 5-1/2" (140 mm)                |
| Waste Outlet:         | Floor                          |
| Trapway Size:         | 2-1/8" (54 mm)                 |
| Trapway Type:         | Exposed                        |
| Water Surface Size:   | 11-3/8" x 8" (289 mm x 203 mm) |
| Rim to Water Surface: | 5-3/8" (137 mm)                |

## Included Combo Skus

- K-4373 Elongated toilet bowl
- K-4458-RA Toilet tank, dual-flush

## Recommended Products/Accessories

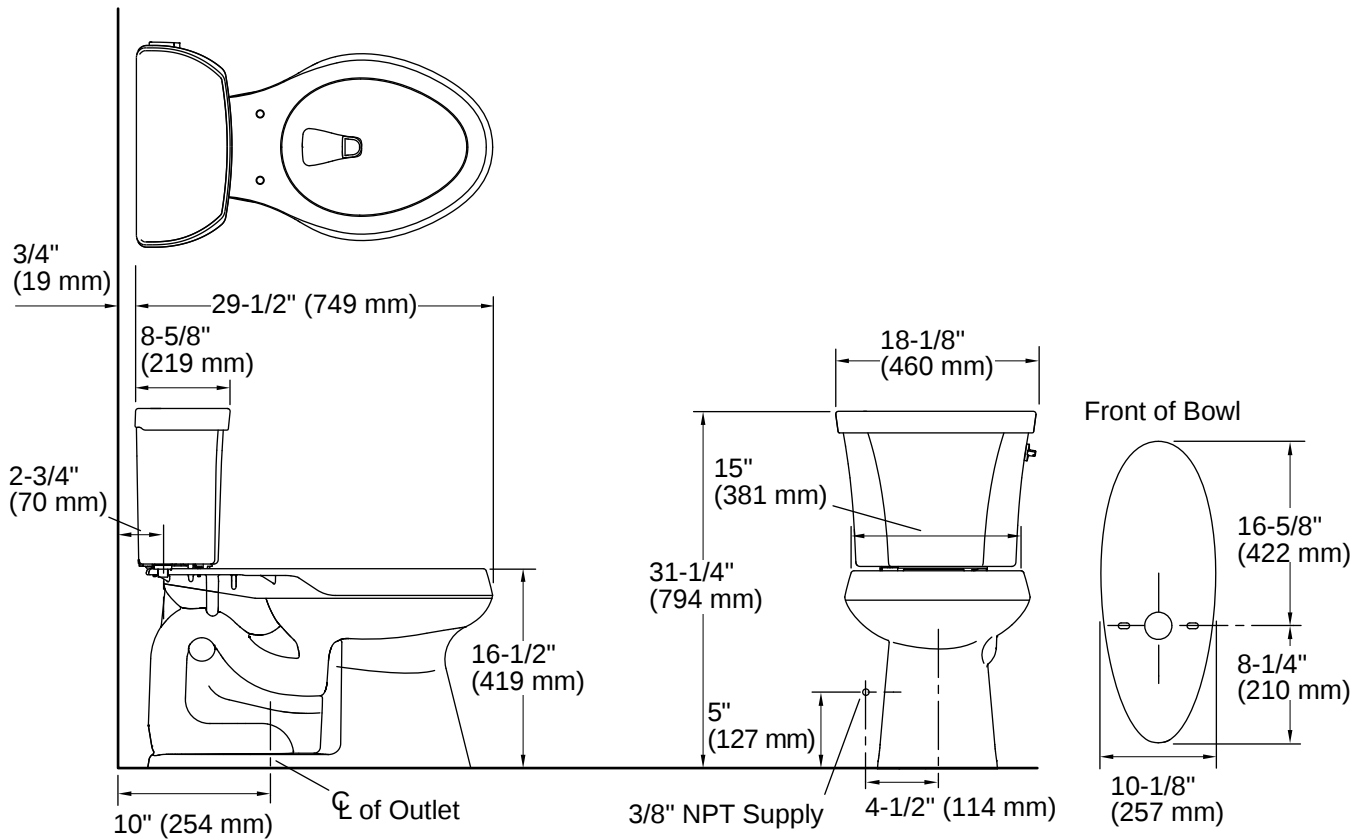
- 1023457 Toilet Wax Ring And Hardware Kit
- 1265114 12" Toilet Supply Line
- K-23726 Drain treatment
- K-9236 Dual-flush trip lever, right hand
- K-5420 Low-profile toilet bolt caps
- K-4636-RL ReadyLatch® Quiet-Close™ elongated toilet seat

## Warranty

See website for detailed warranty information.

KOHLER® Toilets and Seats Limited Warranty





## Installation

- Seat sold separately
- 10" (254 mm) rough-in
- Three-bolt quick-connect installation

## Installation Notes

*Install this product according to the installation instructions.*

The Model Plumbing Codes require the installation of elongated open-front toilet seats in public bathrooms.

Product dimensions are nominal and may vary per ASME A112.19.2 tolerances.

ADA, OBC, CSA B651 compliant when installed to the specific requirements of these regulations.

Plumbing codes may require elongated toilets and elongated, open-front seats in public bathrooms.

Accessibility standards may require controls to be located on the open side of the toilet.

