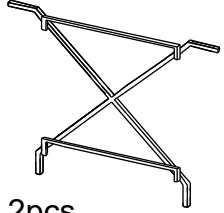
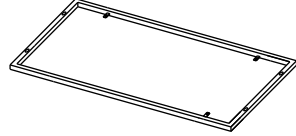
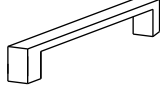
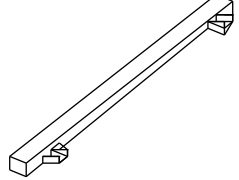
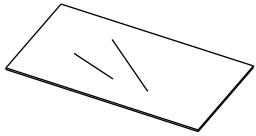
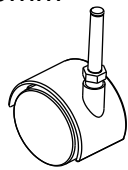
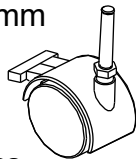
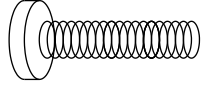
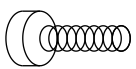
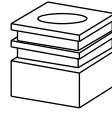
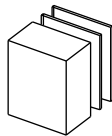

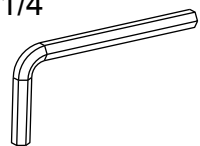
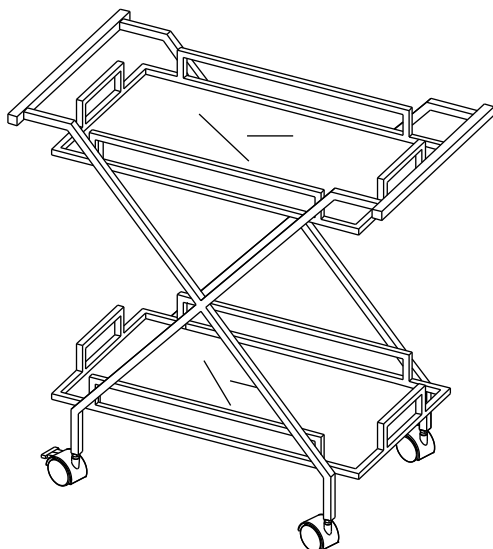


ASSEMBLY INSTRUCTION

BAR CART WITH MIRROR BOTTOM AND TOP

A Side Panel  2pcs	B Metal Frame  2pcs	C Stretcher  4pcs	D Handle  2pcs
E Mirror  2pcs	F Caster Wheel 40mm  2pcs	G Caster Wheel With Brake 40mm  2pcs	H Bolt 1/4" x 1"  16pcs
I Bolt 1/4" x 1/2"  4pcs	J Caster End Cap 16mm  4pcs	K End Cap 20mm  4pcs	L Suction Cap 8mm  8pcs
M Allen Wrench 1/4"  1pc			

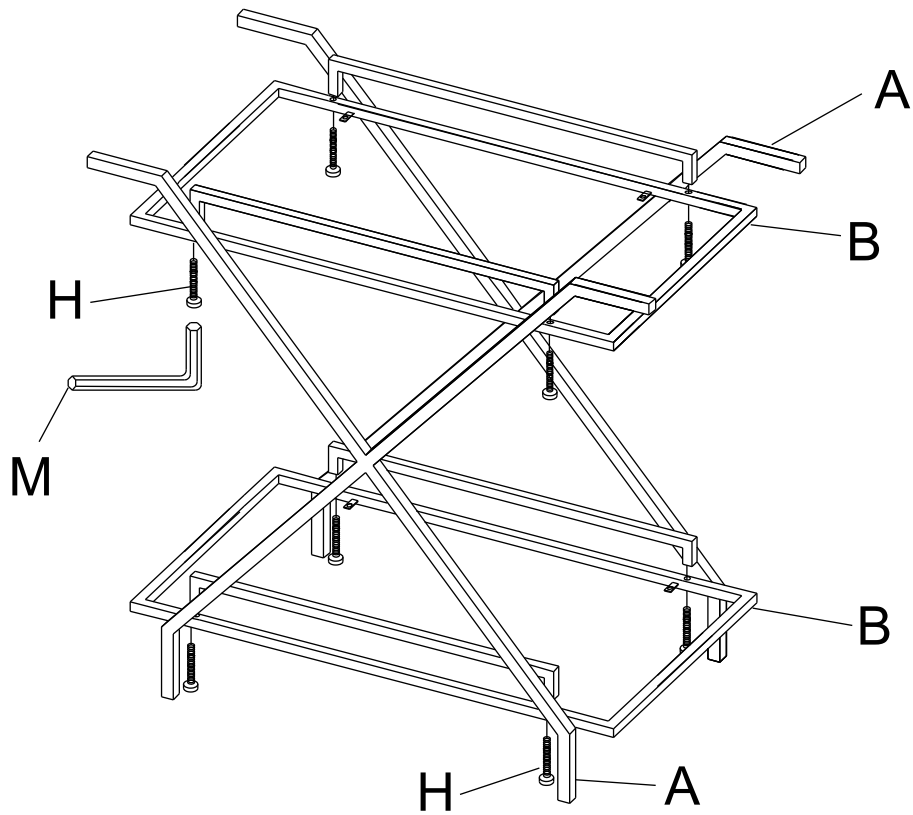


This page lists all the contents included in the box. Please take the time to identify the hardware as well as the individual components to this product. As you unpack and prepare for assembly, place the contents on a carpeted or padded area to protect them from damage.

***** Do not tighten screws & bolts until the entire unit is completely assembled.**

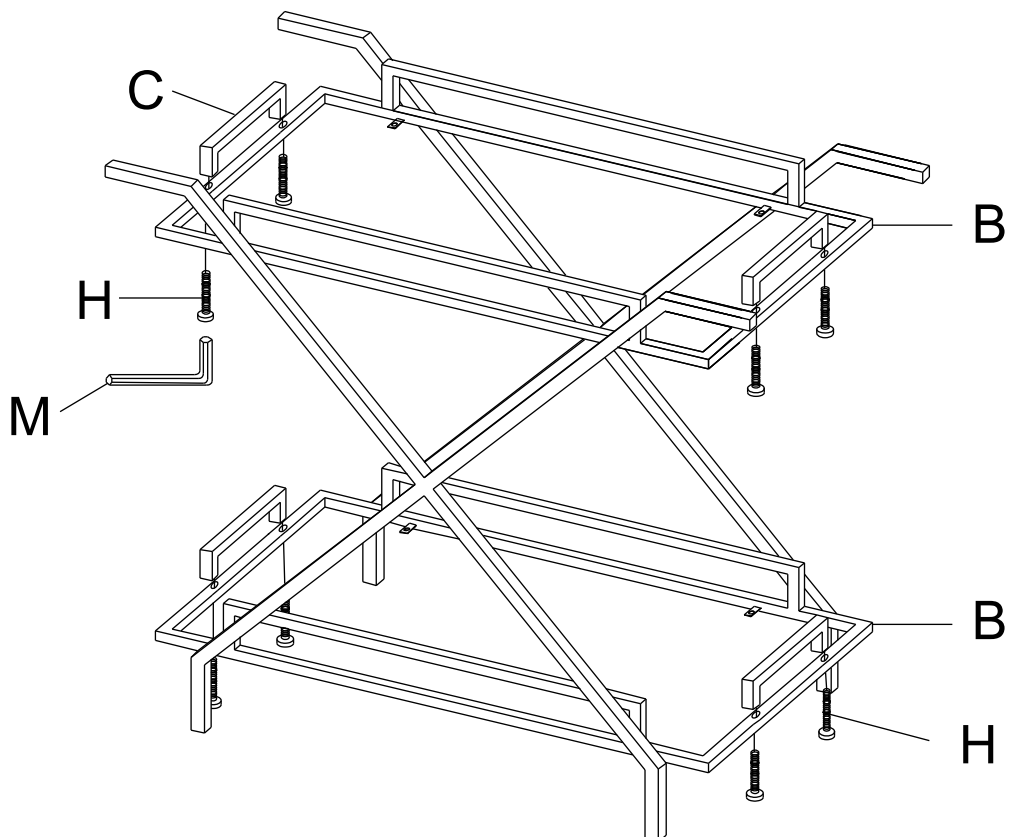
1

Attach Metal Frame (B) to Side Panel (A) by Bolt (H) and Allen Wrench (M) as shown.

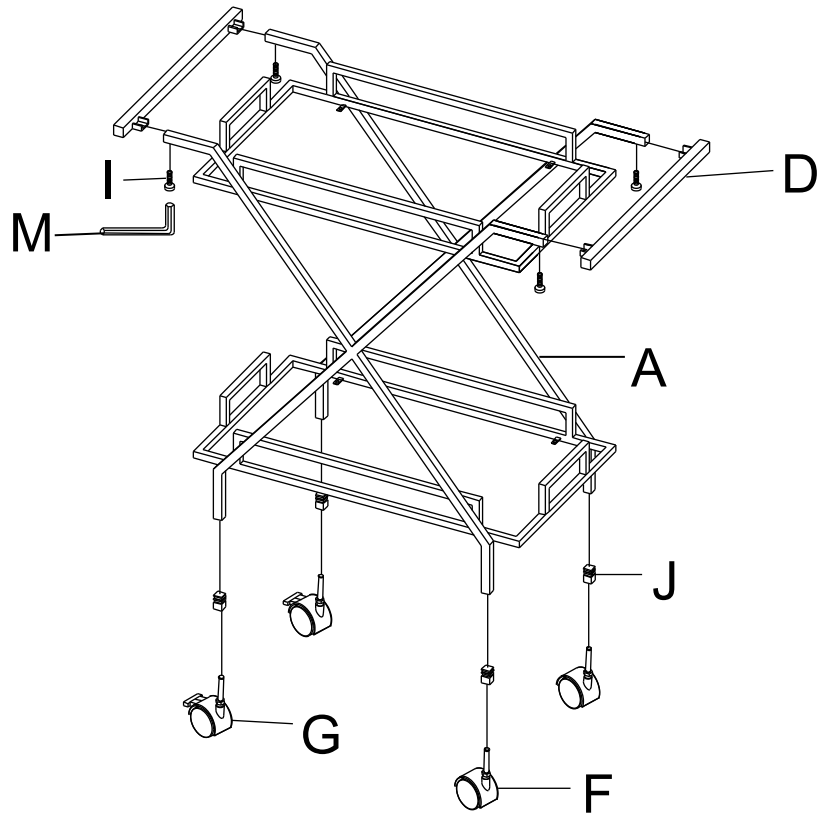


2

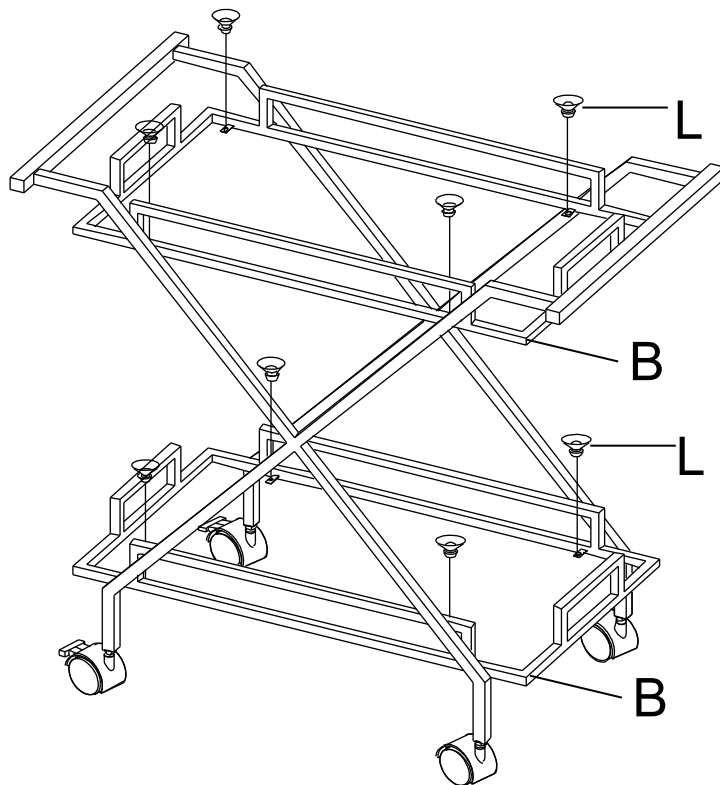
Attach Stretcher (C) to Metal Frame (B) by Bolt (H) and Allen Wrench (M) as shown.



- 3** Attach Handle (D) to Side Panel (A) by Bolt (I) and Allen Wrench (M). Attach Caster End Cap (J) to the bottom of Side Panel (A), then attach Caster Wheel (F) and Caster Wheel With Brake (G) to the bottom of Side Panel (A) as shown.

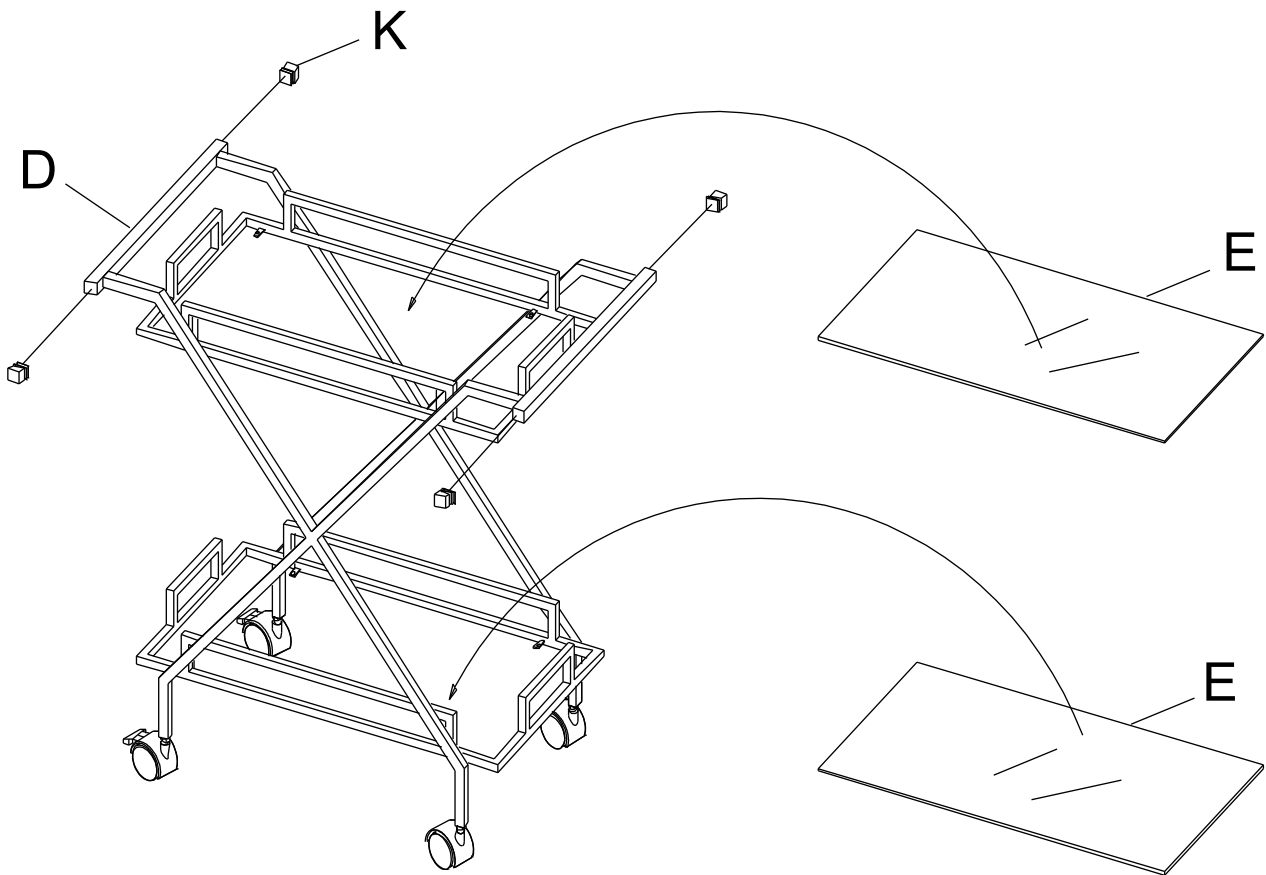


- 4** Attach Suction Cap (L) to Metal Frame (B) as shown.



5

Attach End Cap (K) to Handle (D). Then place Mirror (E) as shown.



Cleaning & Care

Treat surface with care. Surface is resistant to scratches but is not scratch resistant. Clean surfaces with a dry or damp soft cloth. Do not use abrasive cleaners. Hardware may loosen over time. Periodically check that all connections are tight.