

# DIAMOND

TUB & SHOWERS

## Diamond Tub & Showers Spec Sheet

Model: TZ 603177 L/R (Left Shown)  
Description: One Piece Tub-Shower Unit

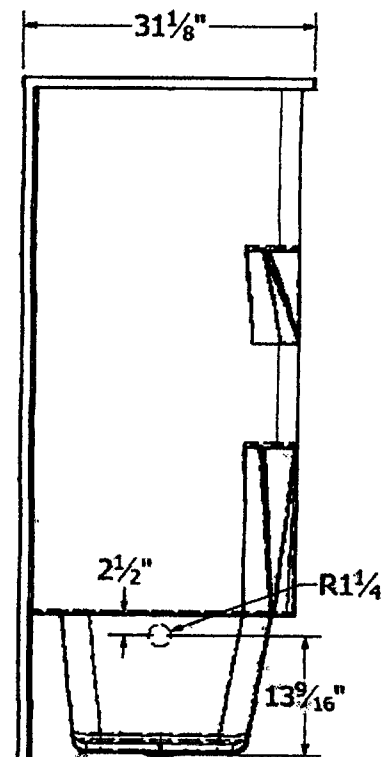
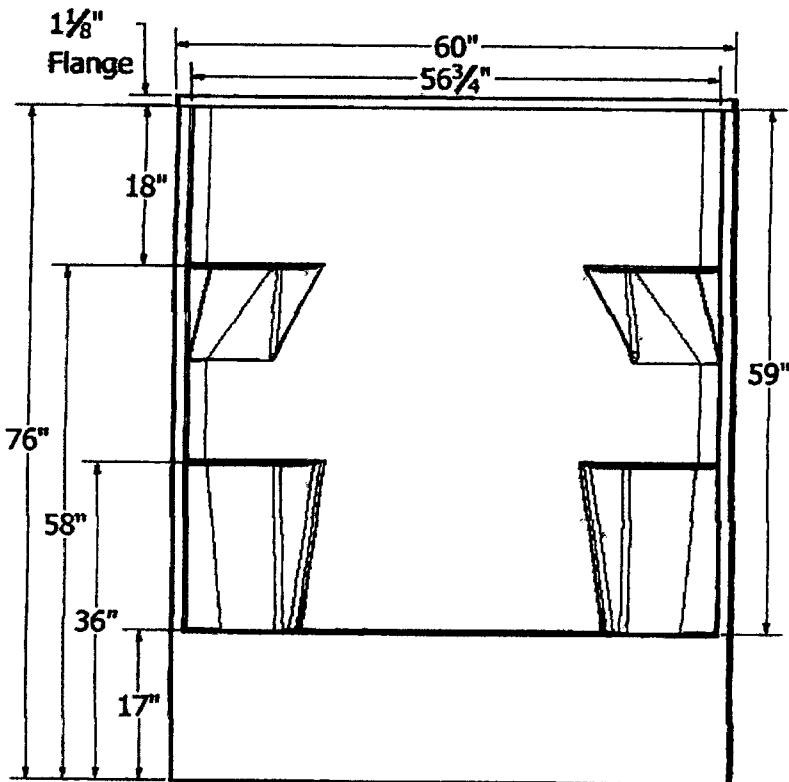
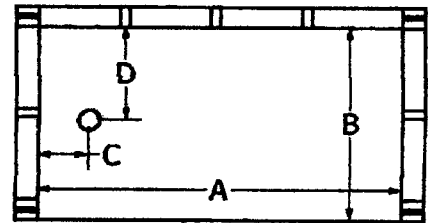
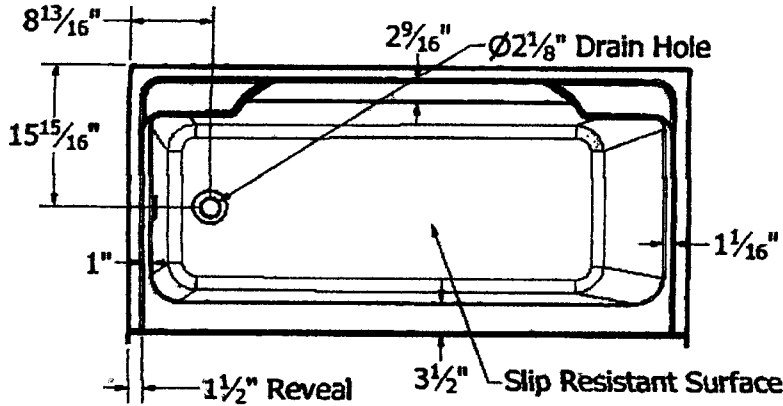
\*Used to be TC603177 (Only model number has changed)\*

### Specifications

Model #	Material	Wall Finish	Pieces	Drain	Threshold Height	Net Weight Lbs.
TZ 603177	Fiberglass/Gelcoat	Smooth	1	L/R	17"	
Enclosure Opening		Sump Capacity				
Width	Height					
60"	59"	48.2 Gallons				

### Framing Dimensions

A	B	C	D
60"	31 1/8"	8 13/16"	15 15/16"



Certified to conform to ANSI Z124.1 and ASTM E-162 Flame Spread Rating 200 or less and Is under a program of factory

7/8" Manufactured by Frontline Mfg., Inc. Warsaw, IN



12/13/24

# DIAMOND

TUB & SHOWERS

## Diamond Tub & Showers Spec Sheet

Model: TZ 603179 L/R (Left Shown)  
Description: One Piece Tub-Shower Unit

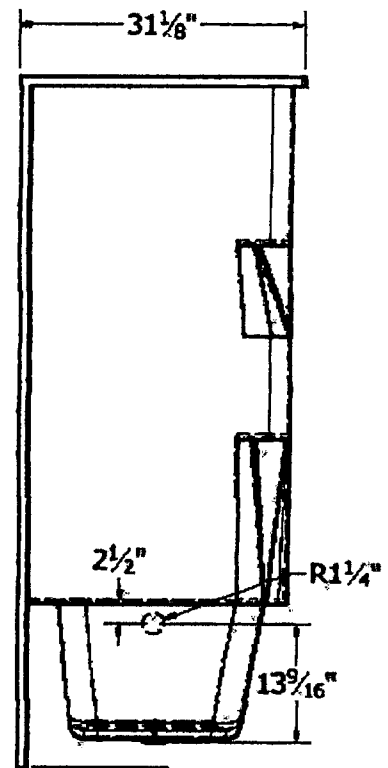
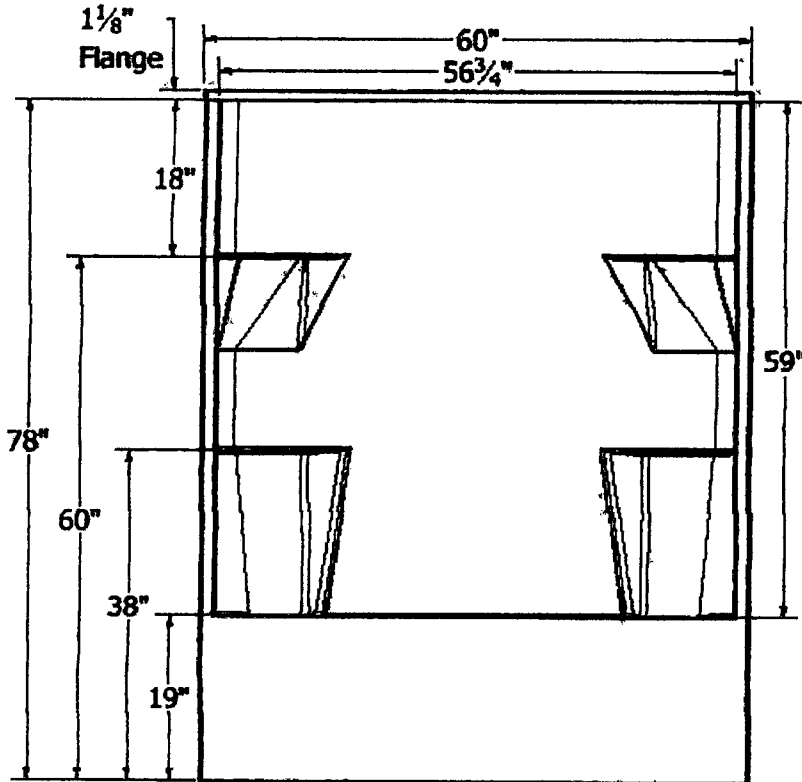
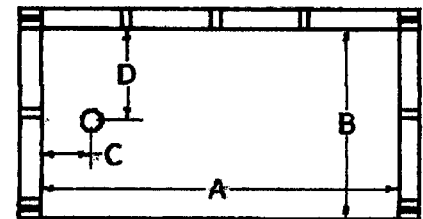
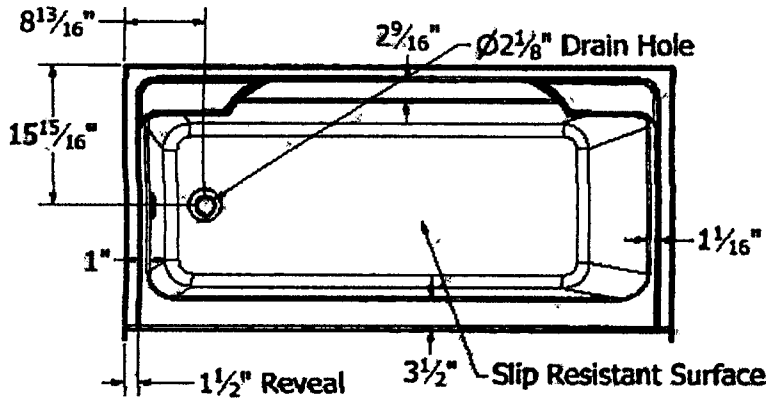
\*Used to be TC603179 (Only model number has changed)\*

### Specifications

Model #	Material	Wall Finish	Pieces	Drain	Threshold Height	Net Weight Lbs.
TZ 603179	Fiberglass/ Gelcoat	Smooth	1	L/R	19"	
Enclosure Opening		Sump Capacity				
Width	Height					
60"	59"	48.2 Gallons				

### Framing Dimensions

A	B	C	D
60"	31 1/8"	8 13/16"	15 15/16"



Certified to conform to ANSI Z124.1 and ASTM E-162 Flame Spread Rating 200 or less and is under a program of factory

Manufactured by Frontline Mfg., Inc. Warsaw, IN



12/13/24