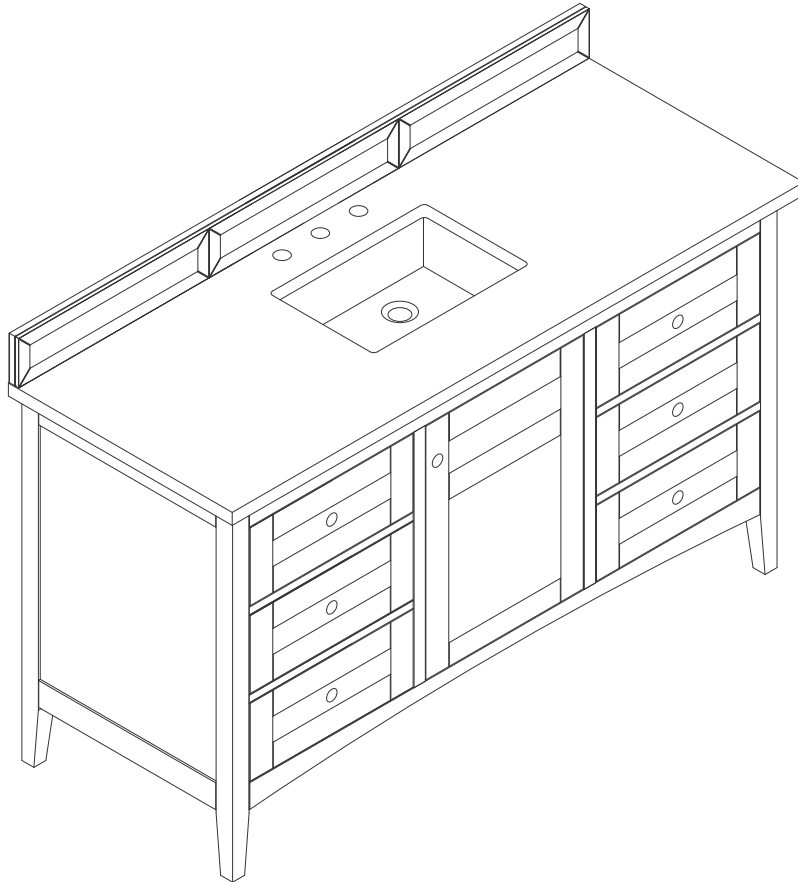


60S" PALISADES VANITY

JAMES MARTIN
VANITIES

527-V60S-BW



Features and Materials

Solids: Soft Maple and Yellow Poplar
Panels: Plywood
Installation Type: Floor Standing
Number of Basins: One, with optional 3 cm top
Vanity Top Included: NO, Optional 3cm Tops Available with Sinks Optional
Wooden Backsplash
Number of Doors: One
Number of Drawers: Six
USB/Power Component: YES (ETL5011080)
Cord Length: 6'6"
Assembly Required: NO
Bamboo Storage Tray: YES
Drawer Box Material and Construction: 15mm Poplar/English Dovetail Joinery
Hardware Material and Finish: Zinc Alloy in Satin Nickel
Fits Drain Hole Size: 1-3/4"
Overflow: Front Facing
Full Extension, Soft Close Glides
European Soft Close Hinges
Aluminum Laminate Drawer Liners
Adjustable Levelers

Dimension

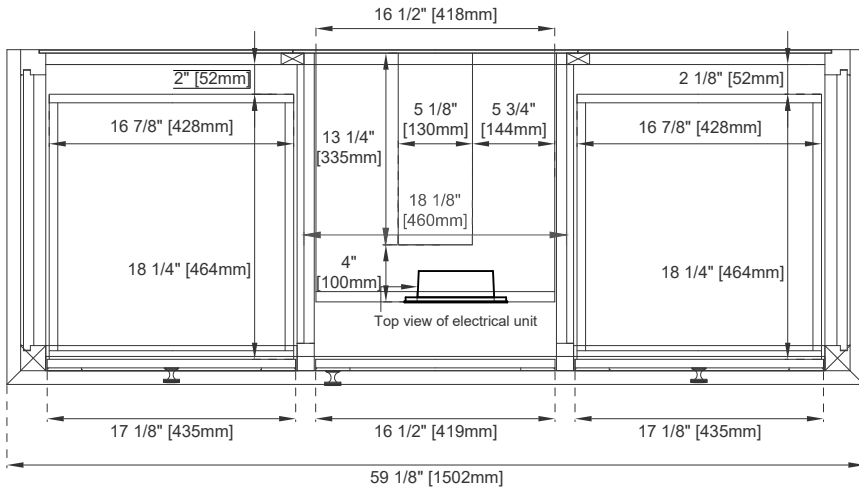
Width: 59-1/8"
Depth: 23-1/8"
Height: 33-7/8"
Rough-In Height: 21-1/2"

Visit website for warranty and installation information
www.jamesmartinvanities.com

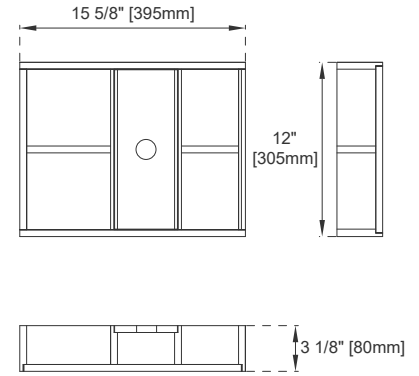
60S" PALISADES VANITY

JAMES MARTIN VANITIES

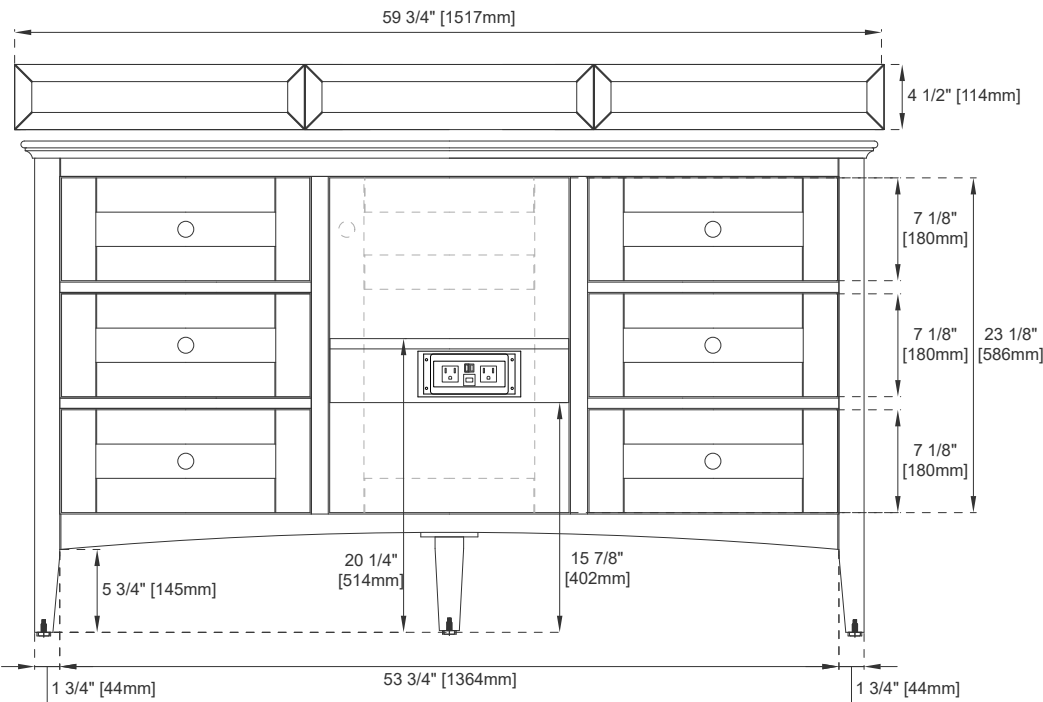
527-V60S-BW



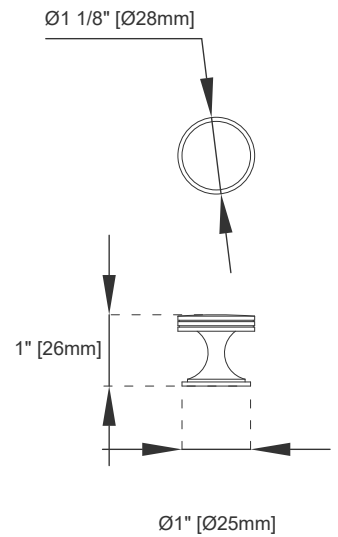
Top View



Bamboo Drawer Organizer



Front View



Knob

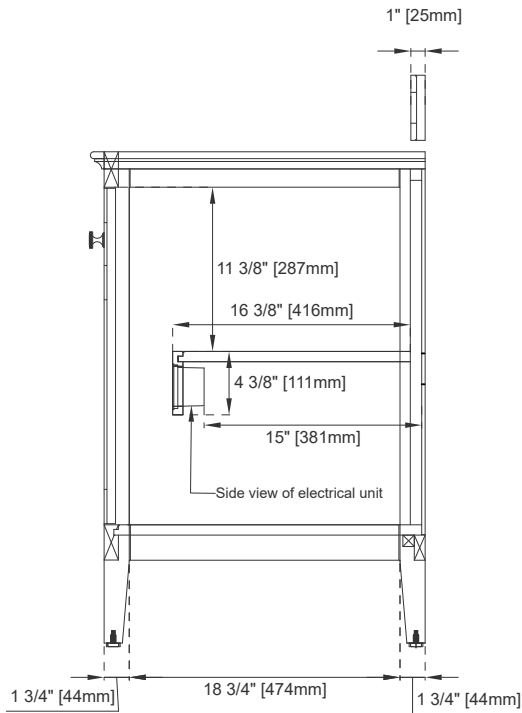
All dimensions are nominal
Diagrams are of cabinet only—James Martin Optional Countertops and sinks are not shown

Visit website for warranty and installation information
www.jamesmartinvanities.com

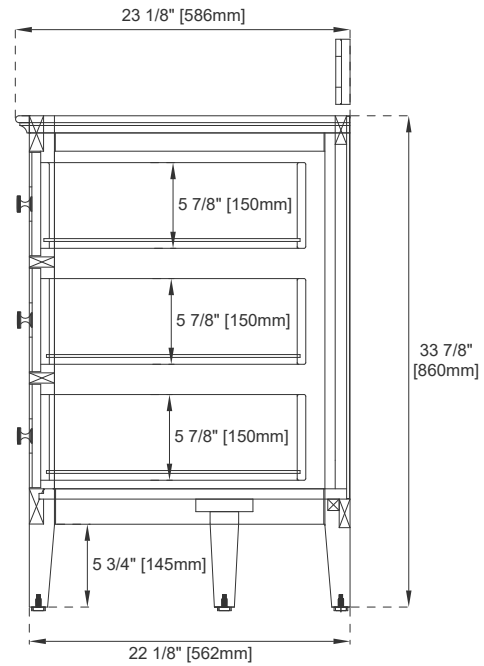
60S" PALISADES VANITY

JAMES MARTIN VANITIES

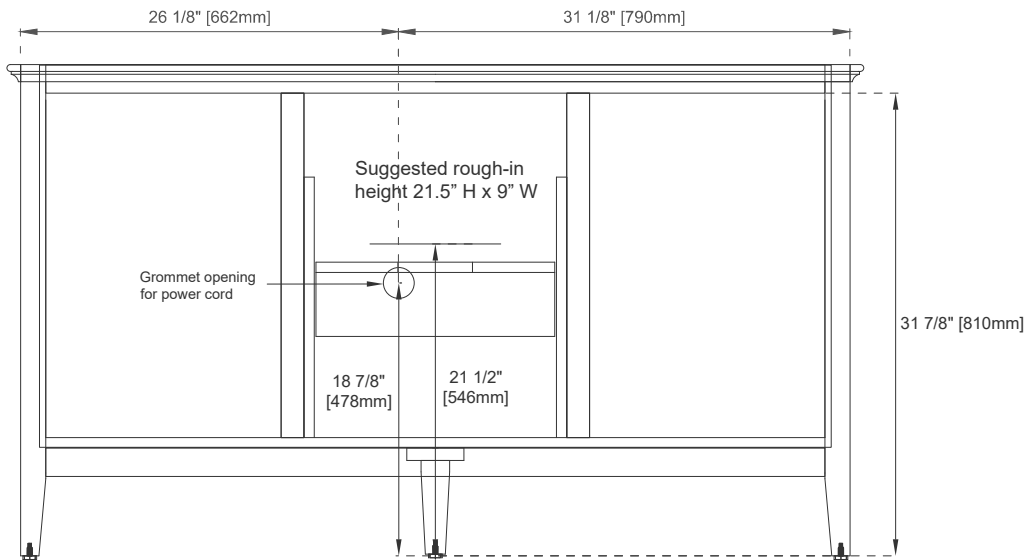
527-V60S-BW



Side View 1



Side View 2



Back View

All dimensions are nominal
Diagrams are of cabinet only—James Martin Optional Countertops and sinks are not shown

Visit website for warranty and installation information
www.jamesmartinvanities.com