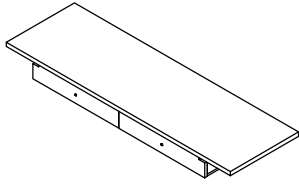


ASSEMBLY INSTRUCTION

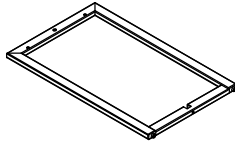
2-DRAWER DESK WITH POWER OUTLET

A Table Top



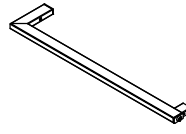
1pc

B Middle Table Base



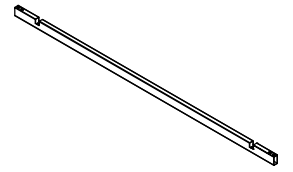
2pcs

C Side Leg Post



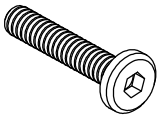
2pcs

D Cross Bar



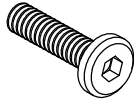
1pc

E Bolt
Ø1/4"x2"



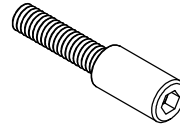
2pcs

F Bolt
Ø1/4"x1-1/4"



6pcs

G Bolt
Ø1/4"x1-1/4"



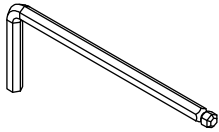
2pcs

H Bolt
Ø1/4"x1/2"



6pcs

I Allen Key
M4



1pc

J Screwdriver
(Not Provided)



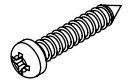
1pc

K Metal Bracket
(Anti - Tipping)



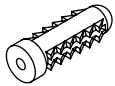
4pcs

L Wood Screw
(Anti - Tipping)



2pcs

M Plastic Anchor
(Anti - Tipping)

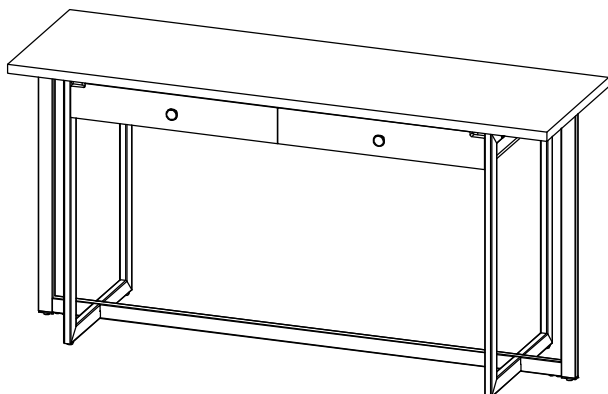


2pcs

N Plastic Mounting Strap
(Anti - Tipping)

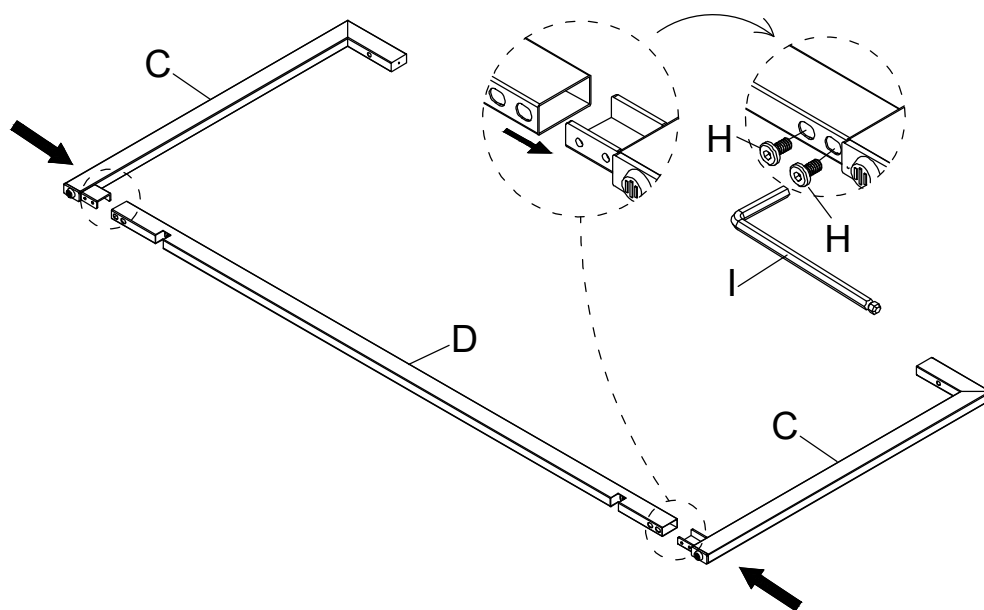


2pcs

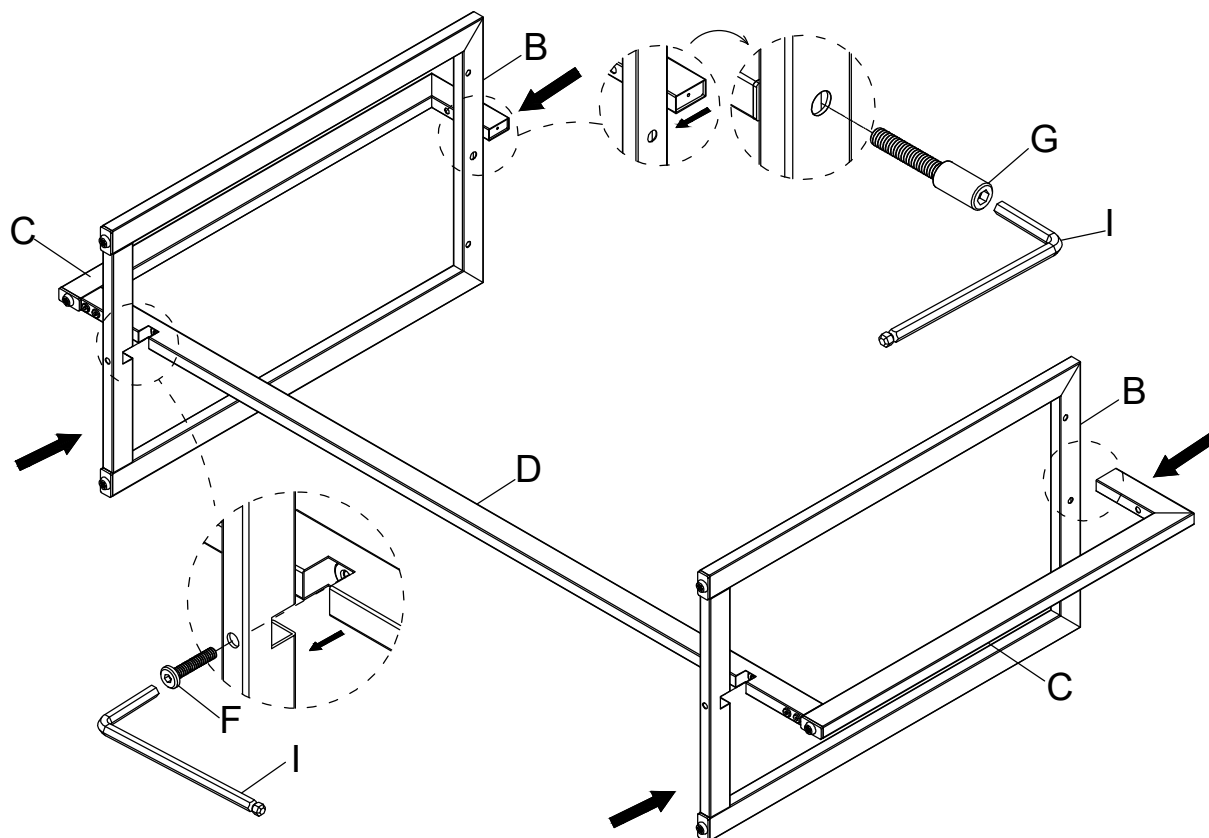


This page list all the contents included in the box. Please take the time to identify the hardware as well as the individual components to this product. As you unpack and prepare for assembly, place the contents on a carpeted or padded area to protect them from damage.

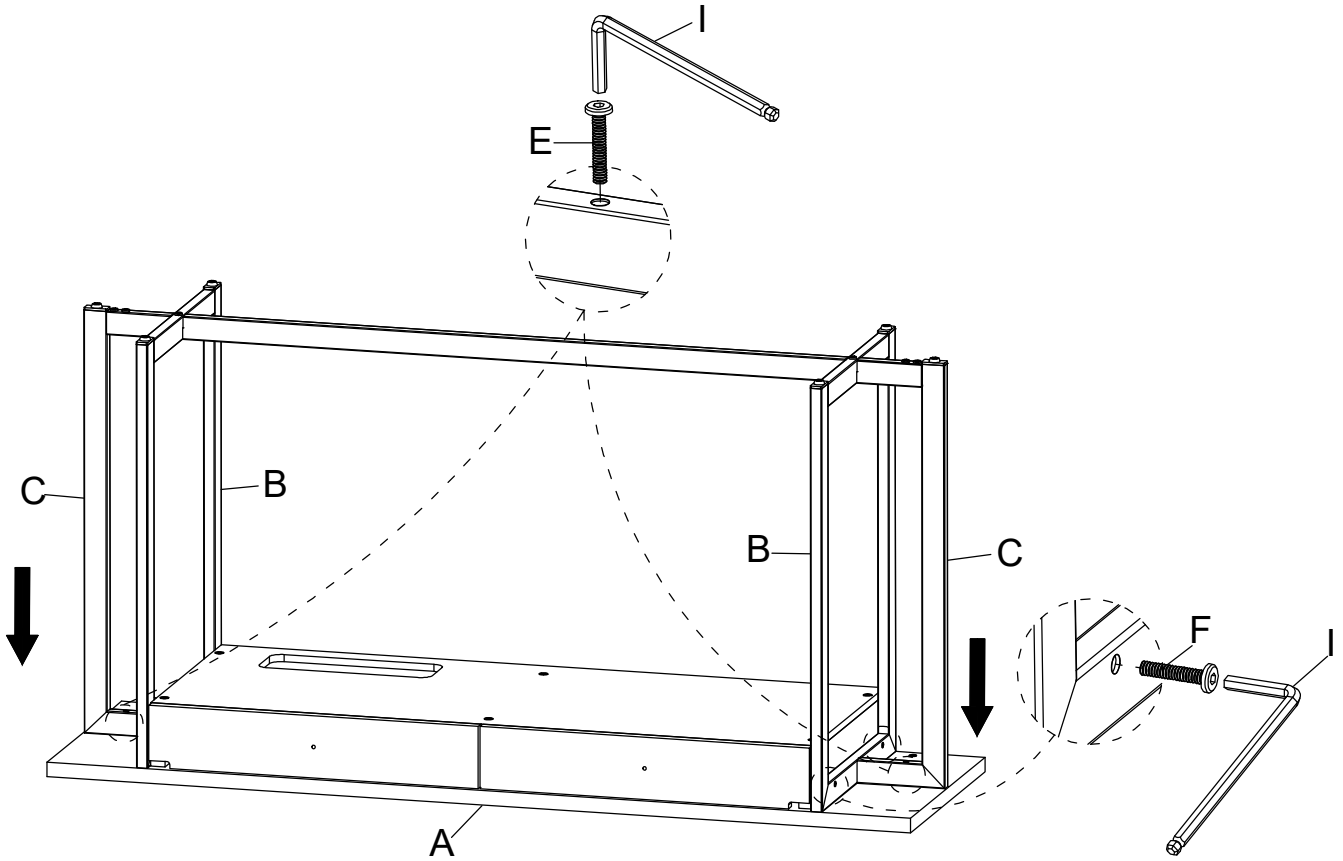
1 Assemble Side Leg Post (C) to Cross Bar (D), using Bolt (H) by Allen Key (I) as below shown.



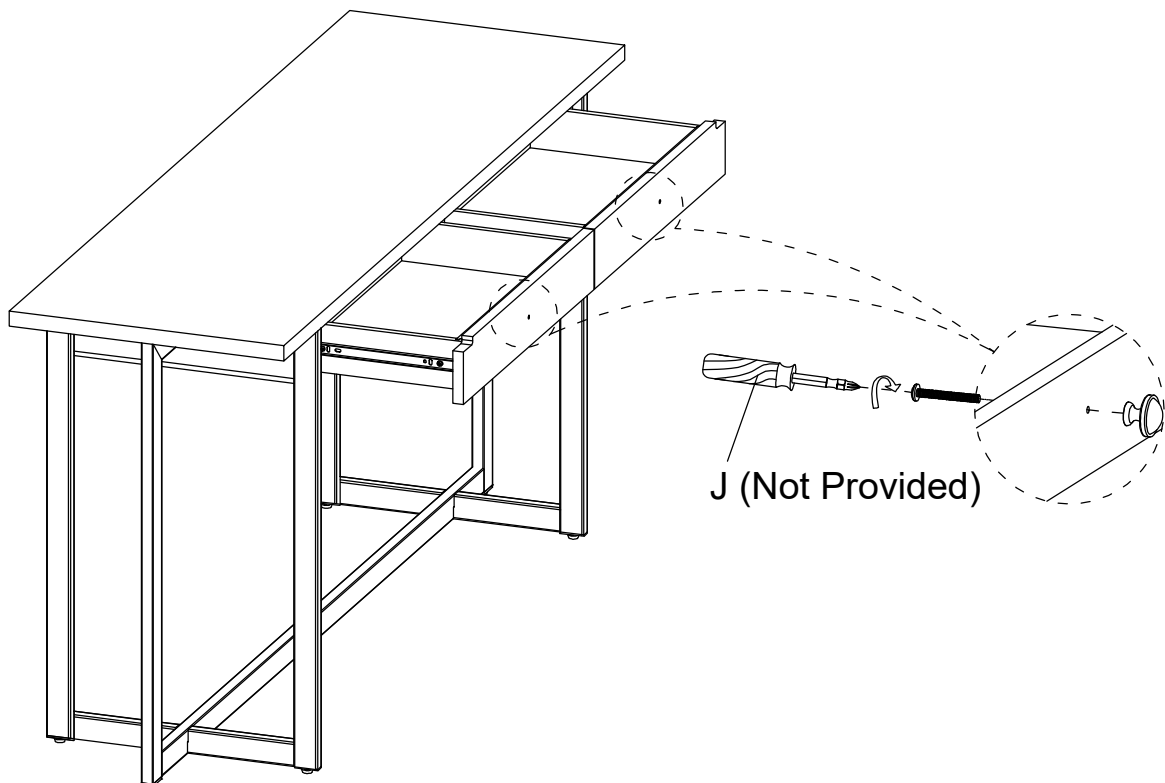
2 Assemble Side Leg Post (C) & Cross Bar (D) to Middle Table Base (B), using Bolt (F) & Bolt (G) by Allen Key (I) as below shown.



- 3** Assemble Side Leg Post (C) & Middle Table Base (B) to Table Top (A), using Bolt (E) & Bolt (F) by Allen Key (I) as below shown.

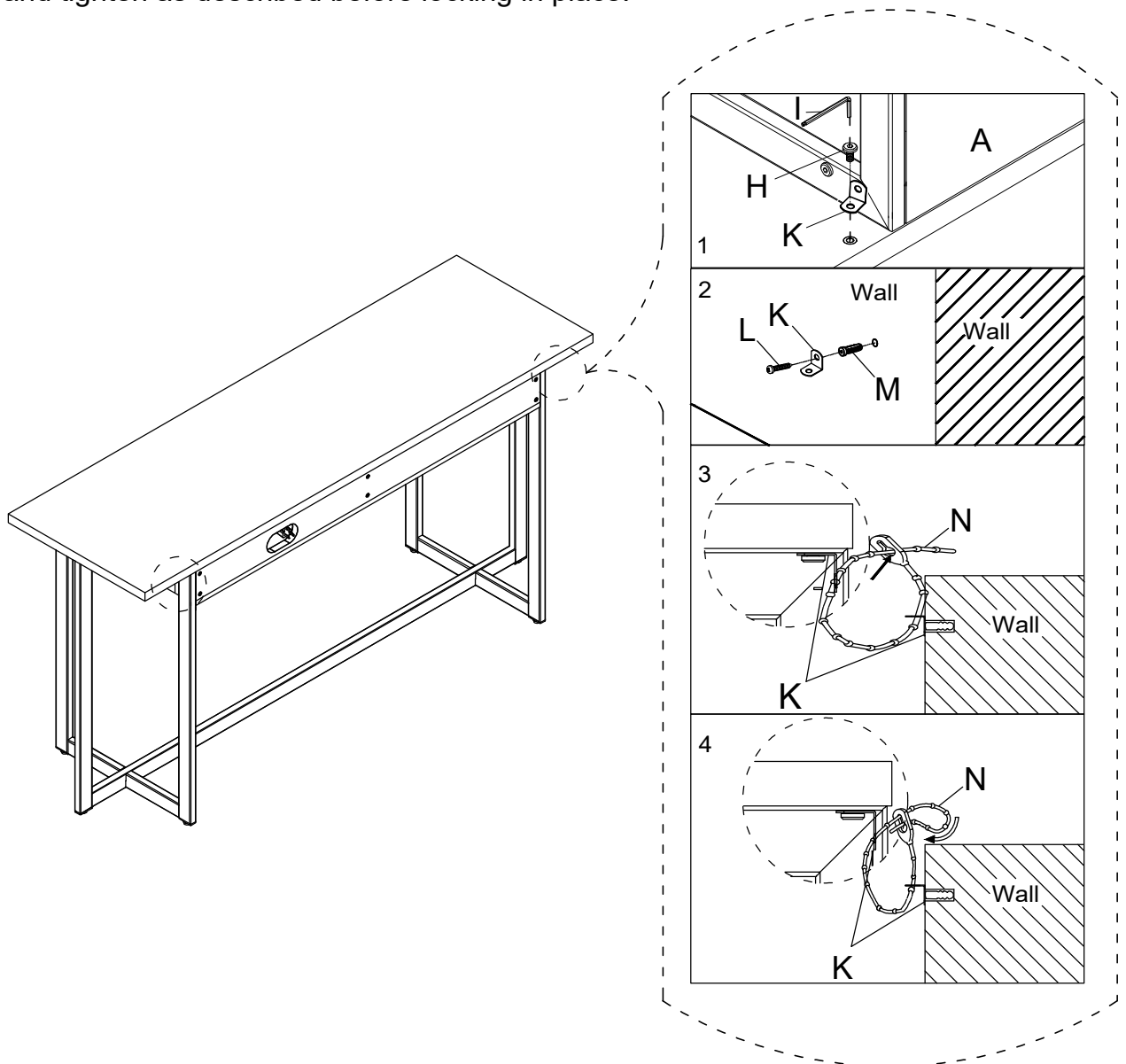


- 4** Remove the handle with bolt from the inside of the drawer, then re-assemble it to the front of drawer using bolt by Screwdriver (J).



5 *NOTE: WE RECOMMEND THAT YOU ATTACH THE PRODUCT TO YOUR WALL AS A SAFETY PRECAUTION USING ANTI-TIPPING KIT (K) AS BELOW INSTRUCTION.

1. Attach 2pcs of the Metal Bracket (K) to the holes on back of Table Top (A), using Bolt (H) by Allen Key (I) as below shown, making sure the Metal Bracket (K) extend DOWNWARD.
2. Determine where furniture is to be placed and mark location on the wall for the Metal Bracket (K). Drill 2 holes in your wall approximately 2" (Inches) BELOW the corresponding positions of Metal Bracket (K) and insert Plastic Anchor (M) as shown.
3. Position the Metal Bracket (K) over the Plastic Anchor (M) and use the Wood Screw (L) to securely attach the bracket to the wall.
4. Place the furniture so the bracket on the back of Table Top (A) is in line with the bracket to the wall. Now connect the corresponding Metal Bracket (K) with Plastic Mounting Strap (N) and tighten as described before locking in place.



Cleaning & Care

Treat surface with care. Surface is resistant to scratches but is not scratch resistant. Clean surfaces with a dry or damp soft cloth. Do not use abrasive cleaners. Hardware may loosen over time. Periodically check that all connections are tight.