

NEWPORT BRASS

NEWPORT BATH THERMOSTATIC ROUGH VALVE

I-540



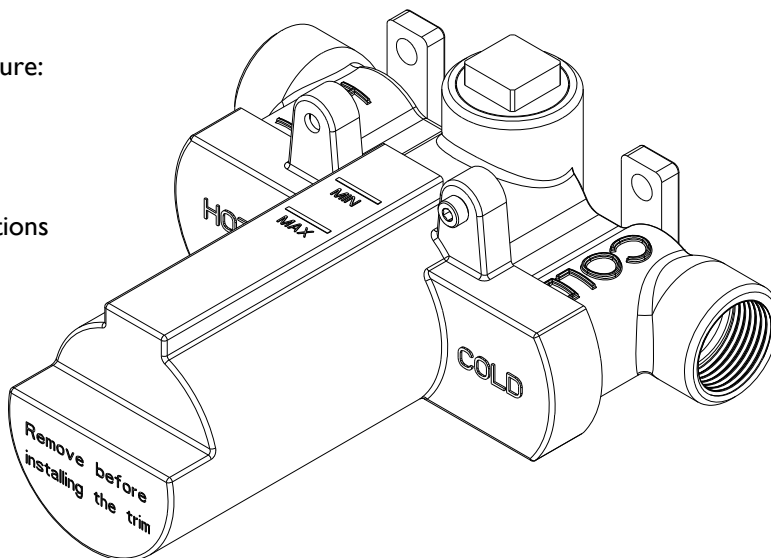
Features

- Solid brass construction
- Provides anti-scald protection and temperature regulation
- Must use with separate stop/volume control
- High temperature safety stop to control maximum temperature
- Integrated hot and cold inlet stops ensure easy cartridge access
- 3/4" NPT female thread (inlet and outlet) valve body
- Single outlet configuration
- Requires Newport Brass 3/4" Thermostatic Trim (sold separately)

Codes / Standards Compliance

Meets or exceeds the following at date of manufacture:

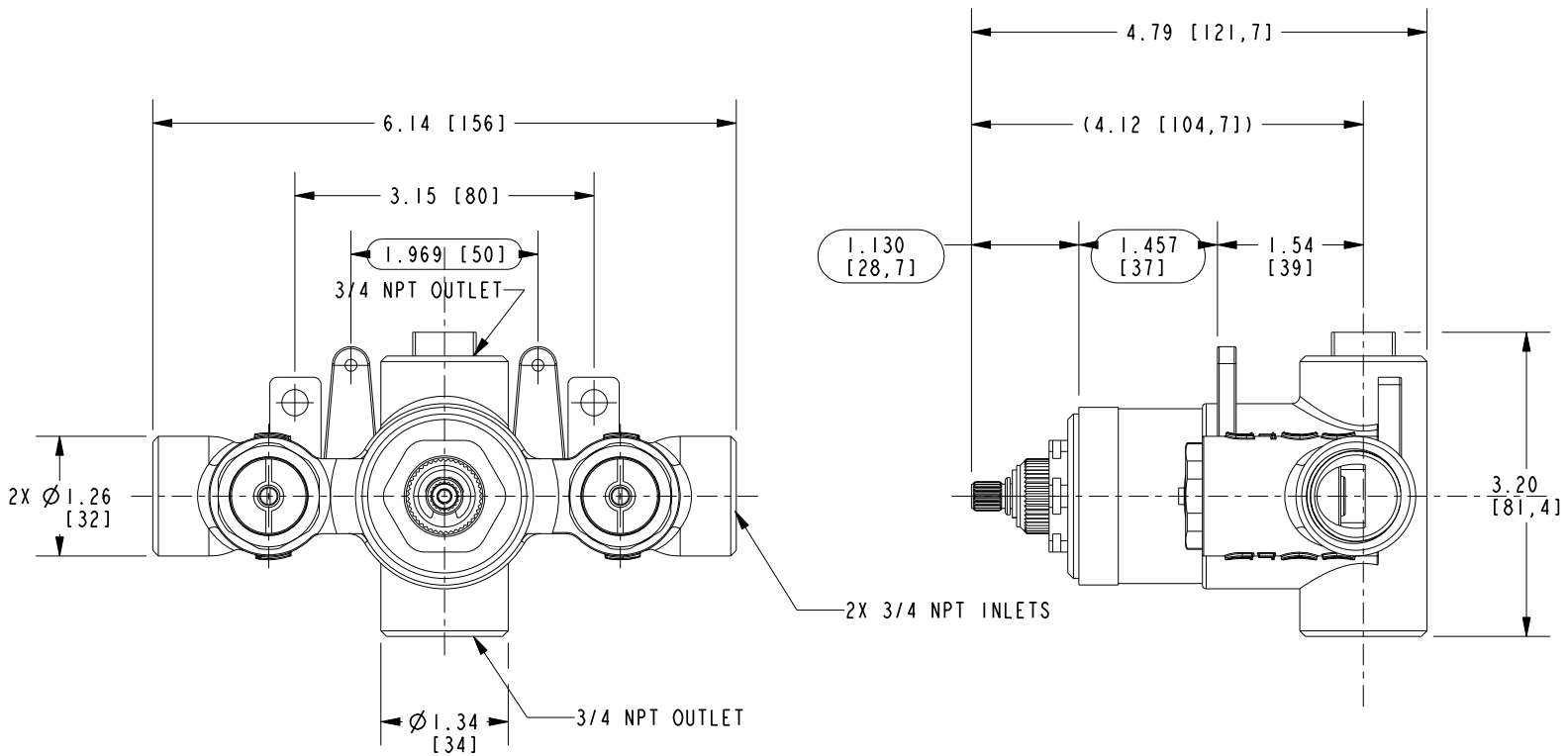
- ASME A112.18.1/CSA B125.1
- IAPMO/cUPC
- IPC
- ASSE 1016/ASME A112.1016
- All applicable US Federal and State material regulations



NEWPORT BRASS

PRODUCT DIMENSIONS *(Units are in inches)*

Product Dimensions are provided for reference only. For specific product installation guidelines, please reference the Installation Instructions of the product being installed.



THERMOSTATIC ROUGH VALVE

I-540