

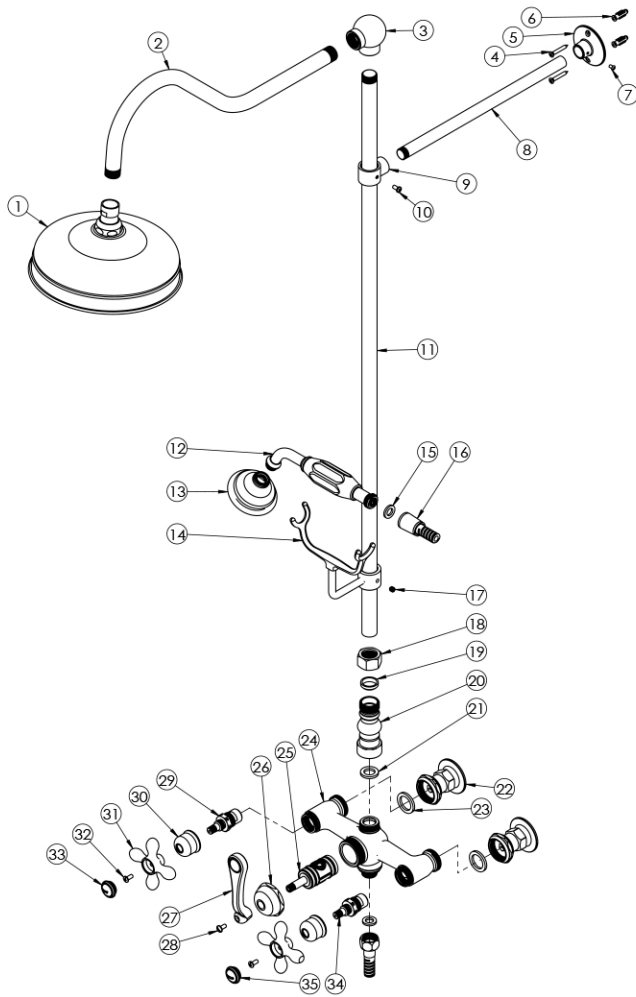


MAIDSTONE

www.MaidstoneSupply.com

Exposed Shower Set

Part No: 141-W11-RS



No.	Part Name	Part No.	FINISH
1	Shower head	HLN-016-8A	Y
2	Shower arm	HL-2980	Y
3	Elbow	HL-4548	Y
4	Screw	HL-4602-6	Y
5	Escutcheon	HL-4602-3	Y
6	Anchor	HL-4602-5	
7	Screw	HL-4602-4	Y
8	Connect tube	HL-4330-12	Y
9	Loop	HL-2722M	Y
10	Screw	HL-1428	Y
11	Riser pipe	HL-43082-36	Y
12	Hand held	HL-4364+5702	Y
13	Shower head	HL-3710	Y
14	Cradle	HLP-0144R	Y
15	Washer	HL-5002-1	
16	Hose	HL-5002	Y
17	Set screw	HL-1420	
18	Locknut	HL-3416-1	Y
19	Seal	HL-1906	
20	Adaptor	HLN-803	Y
21	Washer	HL-1830	
22	Wall coupler	HL-5314	Y
23	Washer	HL-1831	
24	Faucet body	HL-31BD	Y
25	Diverter	HL-308-DVT/32	Y
26	Escutcheon	HL-2011	Y
27	Handle	HL-2370	Y
28	Screw	HL-1410	Y
29	Cartridge - Hot	HL-162M-32TH	
30	Escutcheon	HL-4407	Y
31	Cross Handle	HL-2365	Y
32	Screw	HL-1405	
33	Index- Hot	HL-2514-H	Y
34	Cartridge - Cold	HL-162M-32TC	
35	Index- Cold	HL-2514-C	Y

Contact Maidstone for additional information and specifications. For complete warranty information and a list of dealers visit www.MaidstoneSupply.com. All products and specifications are subject to change without notice. Maidstone is not responsible for typographical and/or dimensional errors. Typographical errors are subject to correction.

Note: Rough-in dimensions may vary +/- 1/2" and are subject to change. No responsibility is assumed by Maidstone.