



D.

DEFINITIVE TECHNOLOGY

Dymension CI PRO Series In-Wall Speakers

The Dymension CI™ PRO Series leverages signature Definitive Technology acoustic innovations in an in-wall/in-ceiling speaker line that delivers the sound and performance you expect, for every budget. Our Dymension CI™ PRO in-wall speakers deliver clear, consistent sound for both home and commercial applications, with features like pivoting tweeters, discreet design, and IP55-rated weather protection.

KEY BENEFITS

Toolless Installation

A simple, elegant two-piece mounting system with pivoting “dog” arms allows speakers to be installed without tools, safely and securely, in minutes. Pre-construction brackets are available for all Dymension CI models.

Discreet Design

Integrated frames and baffles; paintable, micro-perforated magnetic grilles; and a flush, border-free design mean speakers fade into the background for a virtually invisible appearance that’s in perfect harmony with your space.

Mineral-Filled Woofer

A light, rigid woofer reproduces rich, clear music and movie soundtracks. Choose the DW-65 PRO, with a 6.5-inch woofer, or for even more powerful sound and deeper bass, the 8-inch DW-80 PRO.

Pivoting Aluminum Oxide Dome Tweeter

A 1” aimable tweeter lets you place speakers in convenient locations while aiming highs precisely where they matter most.

Two Speaker Sizes

The choice of 6.5” (DW-65 PRO) or 8” (DW-80 PRO) woofers provides unparalleled design freedom to strategically position speakers within your home or business, whether you seek seamless integration in compact spaces or crave room-filling audio in large areas.

IP55-Rated Construction

With IP55-rated protection against dust and low-pressure water streams, you can bring premium sound to any space, including high-humidity environments and outdoor areas.

Timbre-Matched

Combine timbre-matched Dymension, Dymension CI, and Mythos® speakers and Descend Series subwoofers to design high-performance home theater or whole-home systems of any size and scale.

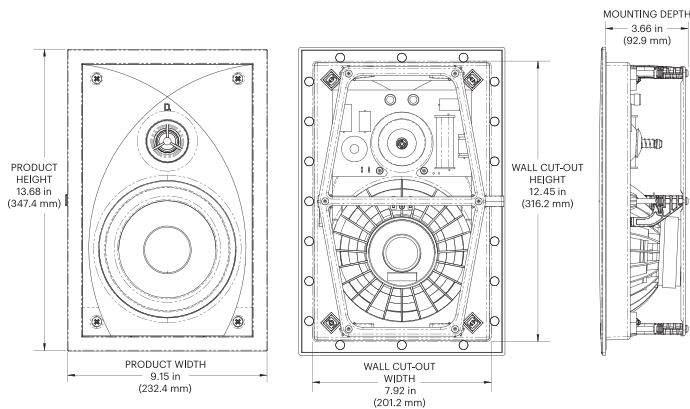
PRODUCT FEATURES

- Effortless, toolless installation; pre-construction brackets available
- Classic Definitive Technology sound in an in-wall speaker
- 6.5” (DW-65 PRO) and 8” (DW-80 PRO) variants
- Pivoting tweeter aims highs where you want them
- Mineral-filled woofer produces rich, balanced mids
- Advanced crossover optimizes drivers for balanced sound
- Low-profile, borderless design vanishes into any room
- Acoustically transparent, paintable micro-perforated grille
- IP55-rated for use outdoors and in high-humidity environments
- Timbre-matched with Definitive Technology Dymension and Mythos speakers

Dymension CI™ PRO Series In-Wall Speakers

SPECIFICATIONS		
	DW-65 PRO	DW-80 PRO
Product Dimensions (W x H x D)	9.15 × 13.68 × 3.95 in (232.4 × 347.4 × 100.3 mm)	10.84 × 15.96 × 3.95 in (275.4 × 405.4 × 100.3 mm)
Cut-Out Dimensions (W x H)	7.92 × 12.45 in (201.2 × 316.2 mm)	9.61 × 14.73 in (244.2 × 374.2 mm)
Mounting Depth	3.66 in (92.9 mm)	3.66 in (92.9 mm)
Weight	4.70 lbs (2.13 kg)	6.39 lbs (2.9 kg)
Color / Material	White Paintable Grille	White Paintable Grille
Grille Material	Micro-Perforated Magnetic Grille	Micro-Perforated Magnetic Grille
Tweeter	1 in Pivoting Aluminum Oxide Dome Tweeter	1 in Pivoting Aluminum Oxide Dome Tweeter
Midrange/Midbass	6.5 in Mineral-Filled Poly	8 in Mineral-Filled Poly
Frequency Response	27 Hz–30 kHz (-10 dB) 46 Hz–25 kHz (-3 dB)	22 Hz–30 kHz (-10 dB) 35 Hz–25 kHz (-3 dB)
Nominal Impedance	6Ω	6Ω
Sensitivity	86dB (2.83V/1m)	87dB (2.83V/1m)
Recommended Amplifier Power	>100W	>100W
IP (Ingress Protection) Rating	IP55	IP55
Warranty	5 years	5 years
Included Accessories	Grille, Literature Pack (QSG/Registration Card/Warranty), Hole Cutting Guide	Grille, Literature Pack (QSG/Registration Card/Warranty), Hole Cutting Guide

DW-65 PRO



DW-80 PRO

