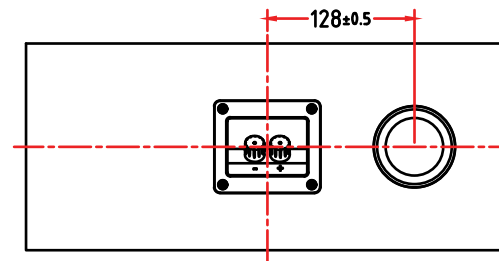
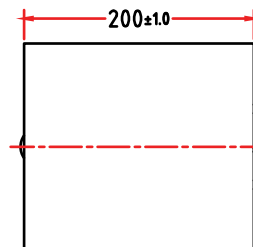
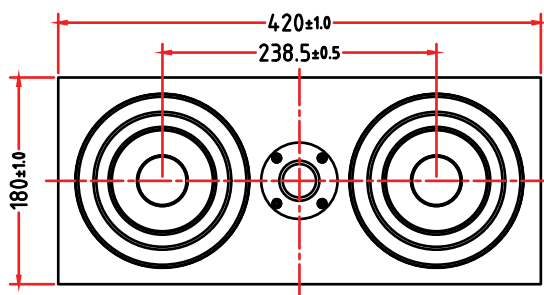
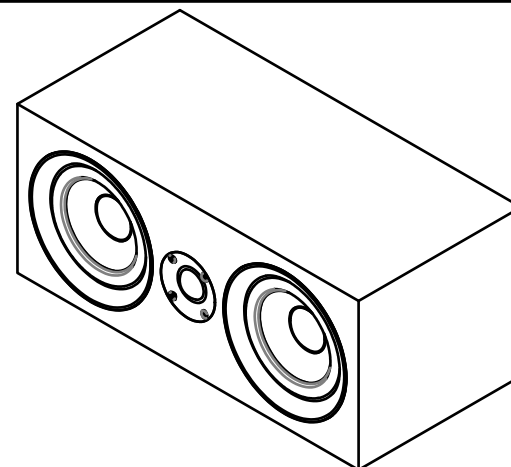
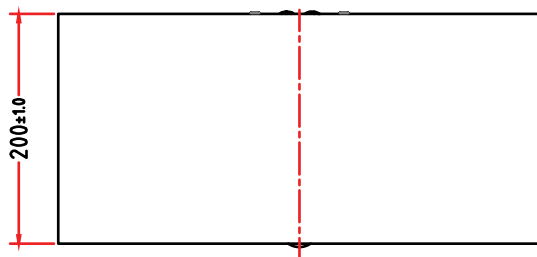


LCR-B2



LCR-B2

Speaker Type: passive left/center/right bookshelf speaker, each

Woofer: (2) 5.25" polypropylene mica-filled cones

Tweeters: 1" ultra-wide dispersion soft dome

Power: 150 watts

Impedance: 6 ohms

Freq Response: 65-23 kHz

Overall Dimensions: 5.0"H x 23.8"W x 2.0"D

ELURA

SOUND + PERFORMANCE