

WALKER EDISON™

Vivienne 2-drawer Spindle Nightstand

SKU# WEVIV012D2



For Residential Use Only

Please visit our website for the most current instructions, assembly tips, report damage, or request parts. www.walkeredison.com



Time to get started

Set up a clean and soft workplace to get started and avoid damage during the assembly. It also helps to double-check that you've got all the pieces and parts before diving in to assembly.

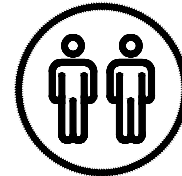
Estimated time for assembly

Say Goodbye to Frustration!
30 Minutes or Less to Build
No Tools Required



People recommended for assembly

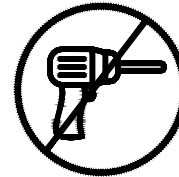
Make it a team effort! Grab a friend for quicker, easier assembly.



2 People Build

Use power tools with caution

You can cause cracking or damage to the material and easily strip the hardware. If you choose to use a power tool, your product will no longer be covered under Walker Edison's warranty.

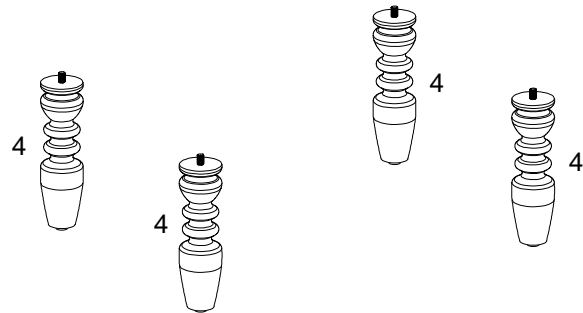
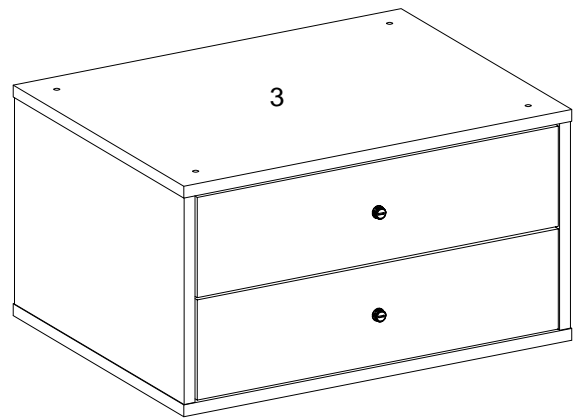
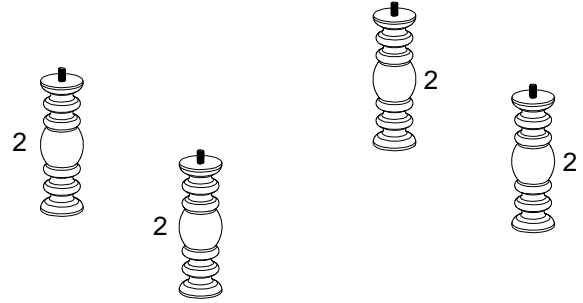
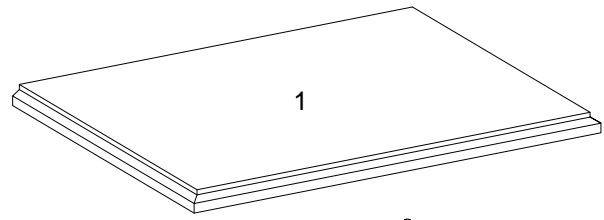


Vivienne

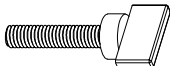
Scan to get assembly tips and help!

WE Parts List

| Part Number | Description | Quantity |
|-------------|-----------------|----------|
| 1 | Top Panel | 1 |
| 2 | Connection Post | 4 |
| 3 | Drawer Frame | 1 |
| 4 | Legs | 4 |



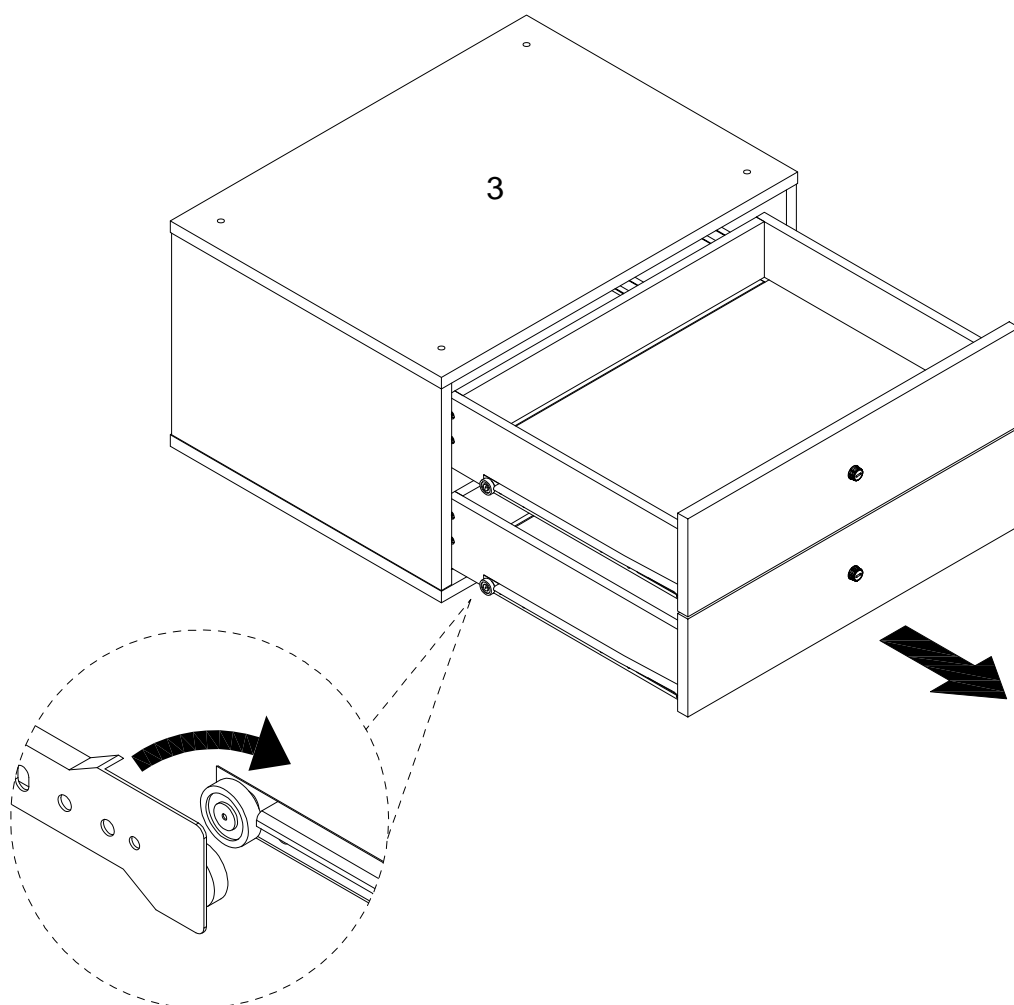
WE Hardware List

| Part | Size | Name | Quantity | |
|------|---|-----------|--------------|---|
| A |  | 1/4"x30mm | Thumb screws | 4 |

*The hardware quantities listed above are required for proper assembly.
Extra hardware pieces may be included.*

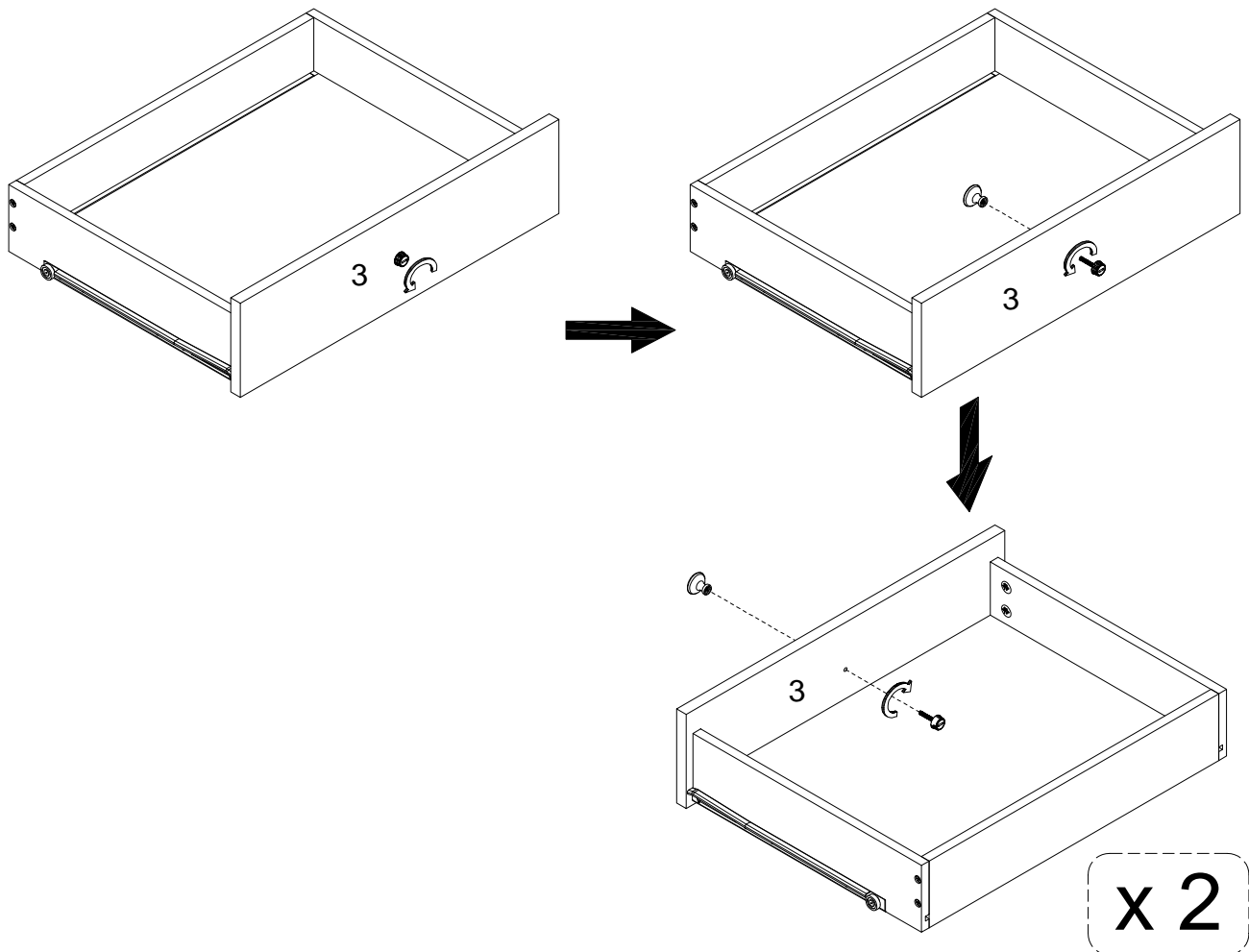
Step 1

Let's get started! Start by sliding the drawers all the way out of the Drawer Frame (3). Once it's fully extended, lift it up at an angle to remove it.



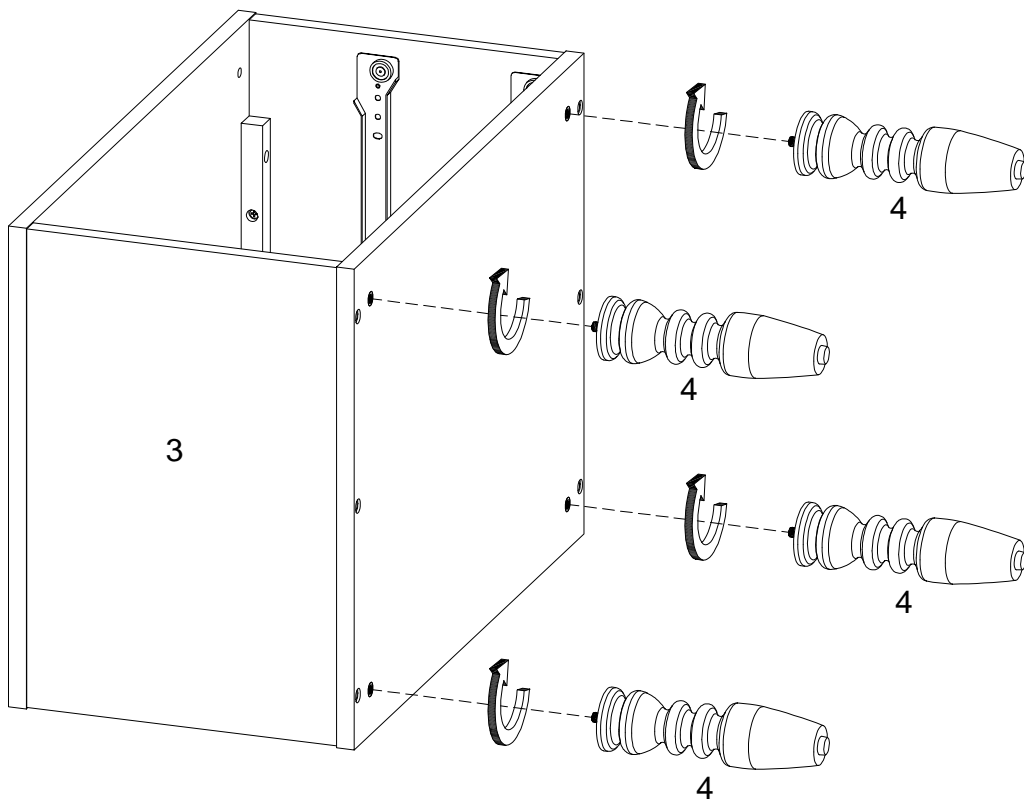
Step 2

Time for a quick swap! Unscrew the knobs from the drawer fronts, then screw them back in on the front side.



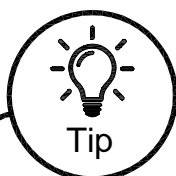
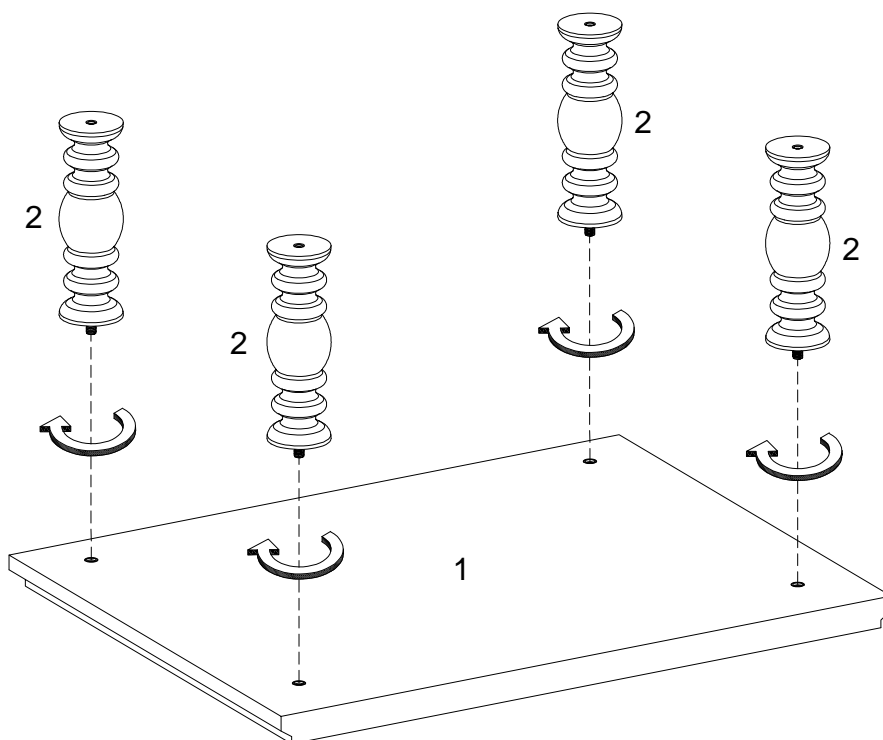
Step 3

Turn the Drawer Frame (3) on its side, and screw in the Legs (4).

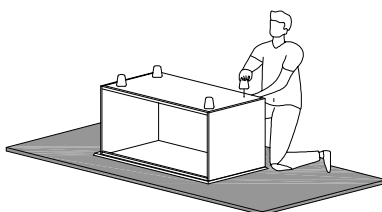


Step 4

Next, screw in the Connection Posts (2) to the Top Panel (1).

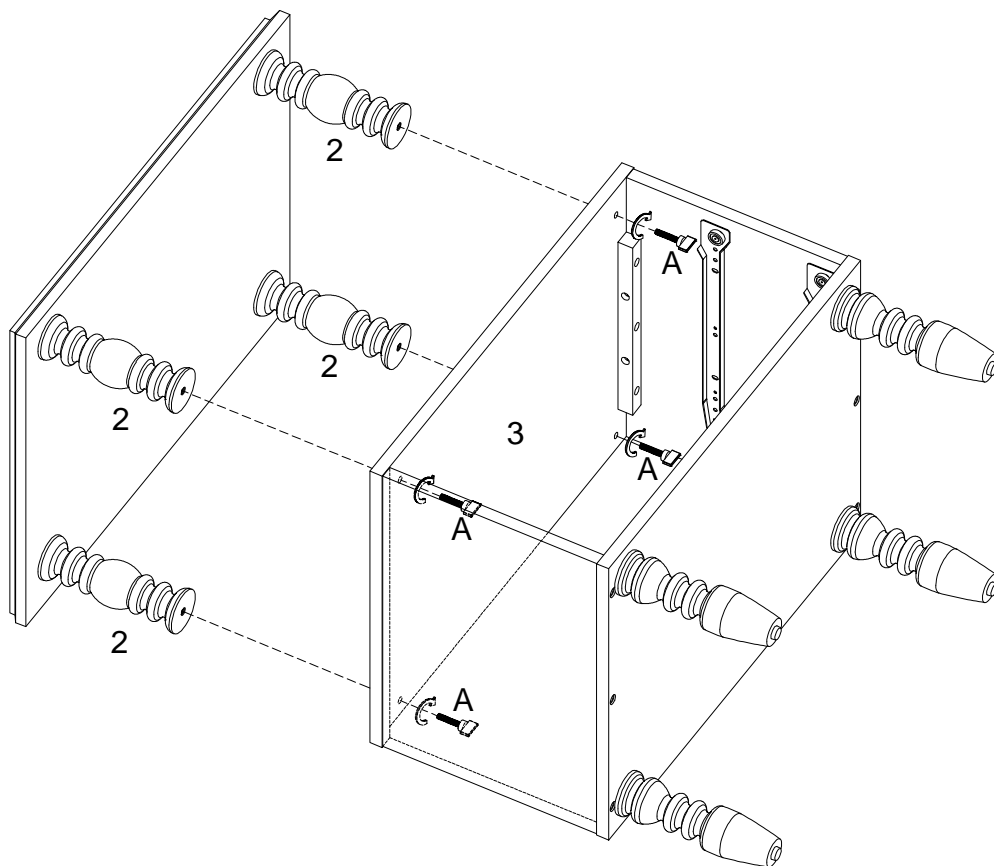


To keep your product looking its best and scratch-free, try assembling it on a soft surface like carpet or a blanket. This helps prevent any accidental scratches and keeps your furniture in top shape!



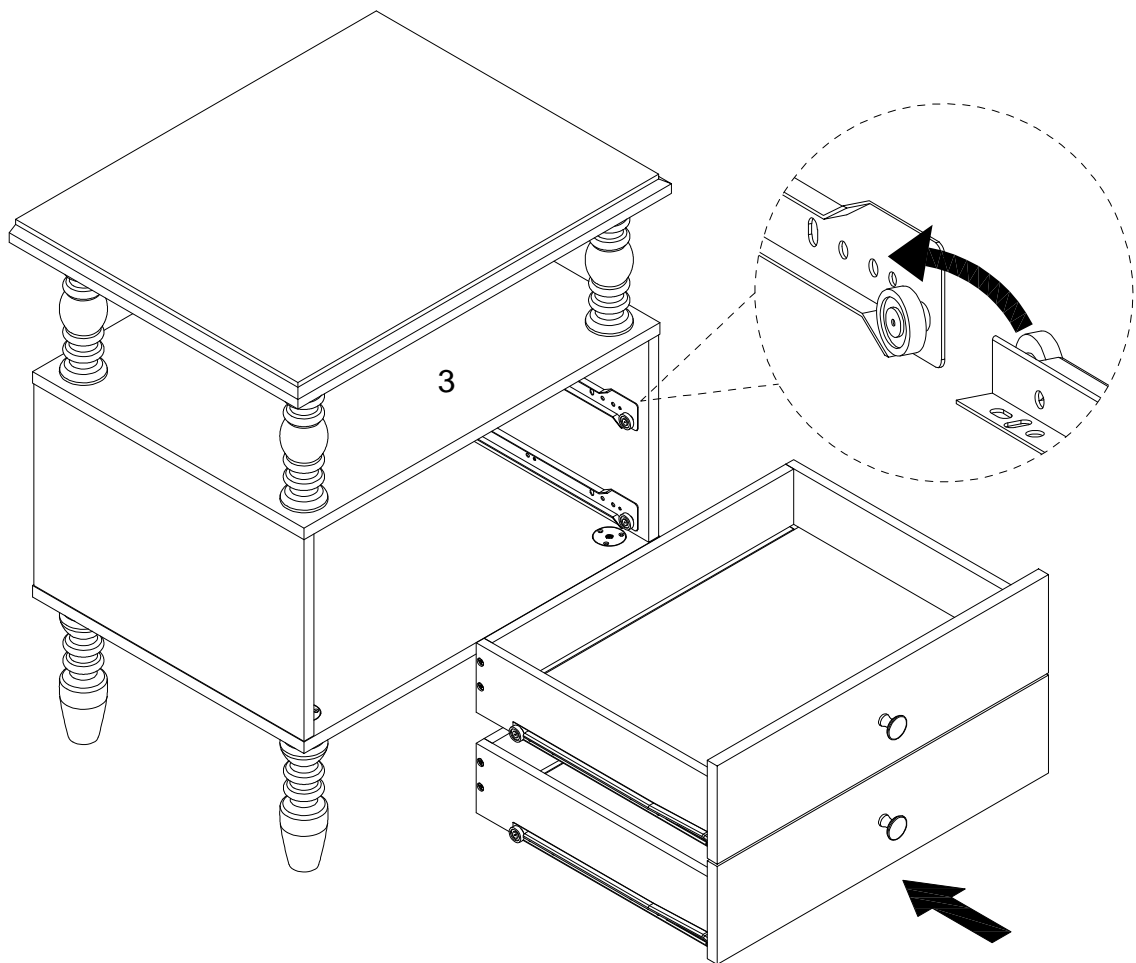
Step 5

Almost there! Attach the Connection Posts (2) to the Drawer Frame (3) with the thumb screws (A).



Step 6

Stand your nightstand upright and slide the drawers back in.



Final Assembly



Congratulations on your new piece of furniture!

We would love to hear about it and see it.
Please leave us a review or post a picture with
[#mywalkerredisonhome](#)

Assembling furniture can be tricky sometimes.

Our customer service team, located in Utah, is here for product information, help assembling a product, or for any other customer support issue

Call us at **801-433-3008**

Email us at service@walkeredison.com

Visit our Customer Service website at
walkeredison.com/pages/customer-service

We are available to help Monday -Thursday 8am-5pm, Friday
8am-3pm MST

For details on Assembly Videos, Assembly Instructions,
Replacement Parts, and Customer service,
SCAN HERE

