

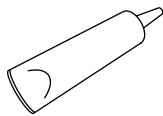
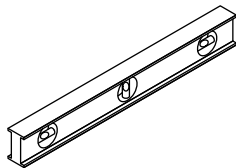
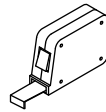
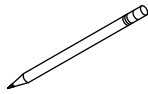
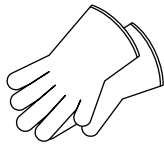
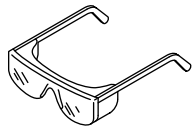
Installation Guide

Freestanding Bath

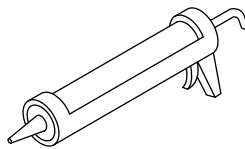
Français, page "Français-1"
Español, página "Español-1"



Tools and Materials



Construction
Adhesive



100% Silicone
Sealant

Plus:

- Drop Cloth
- Shims
- 2x4s
- Wood Blocks
- 1/2" (13 mm) Exterior Grade Plywood (for Rim-mount Faucet)

Before You Begin



CAUTION: Risk of personal injury. Do not sit on the bath rim. The shroud is not designed to support weight.

NOTICE: Provide adequate floor support. Note the **model number** on the back of the bath, then visit the product page at sterlingplumbing.com for additional information.

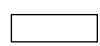
NOTICE: Before installing a rim-mount bath faucet, refer to the specification sheet on the bath product page at sterlingplumbing.com.

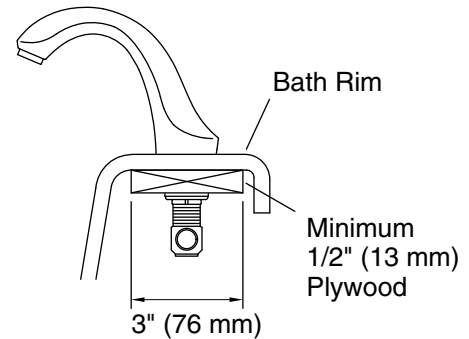
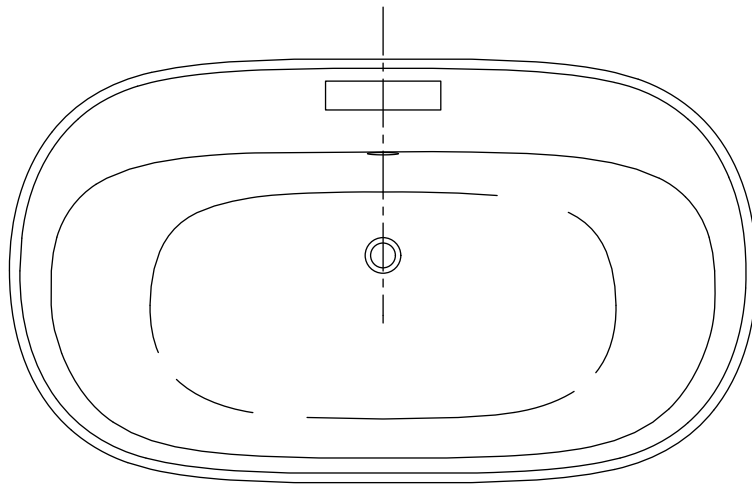
NOTICE: Provide adequate backer board support for a rim-mount faucet; large faucets that may be inadvertently used as a means of support are not safe for this installation.

IMPORTANT! To ensure a successful installation, install the bath on a level finished floor.

IMPORTANT! Carefully follow the silicone sealant manufacturer's instructions for application and curing time.

- Observe all local plumbing and building codes.
- Make sure that the subfloor offers adequate support for the bath.
- Unpack and inspect the bath and components for damage. Return the bath and components to the carton until installation.
- For installations with limited or no access from below, install with a drain elbow and gasket.
- To simplify future maintenance, make sure that all plumbing connections around the bath are easily accessible.
- Two people are needed to install this product.
- This bath is designed for freestanding installation only.
- Install a floor- or rim-mounted faucet with this freestanding bath.
- If installing a rim-mount faucet, make sure that there is no interference above or below the rim before drilling any holes.
- This bath conforms to CSA B45.5/IAPMO Z124. All dimensions are nominal.

 Recommended Faucet Location (See Specification Sheet for Dimensions)



1. Prepare the Rim-Mount Faucet (Optional)

NOTICE: Before installing a rim-mount bath faucet, refer to the specification sheet on the bath product page at sterlingplumbing.com for faucet location dimensions for your model.

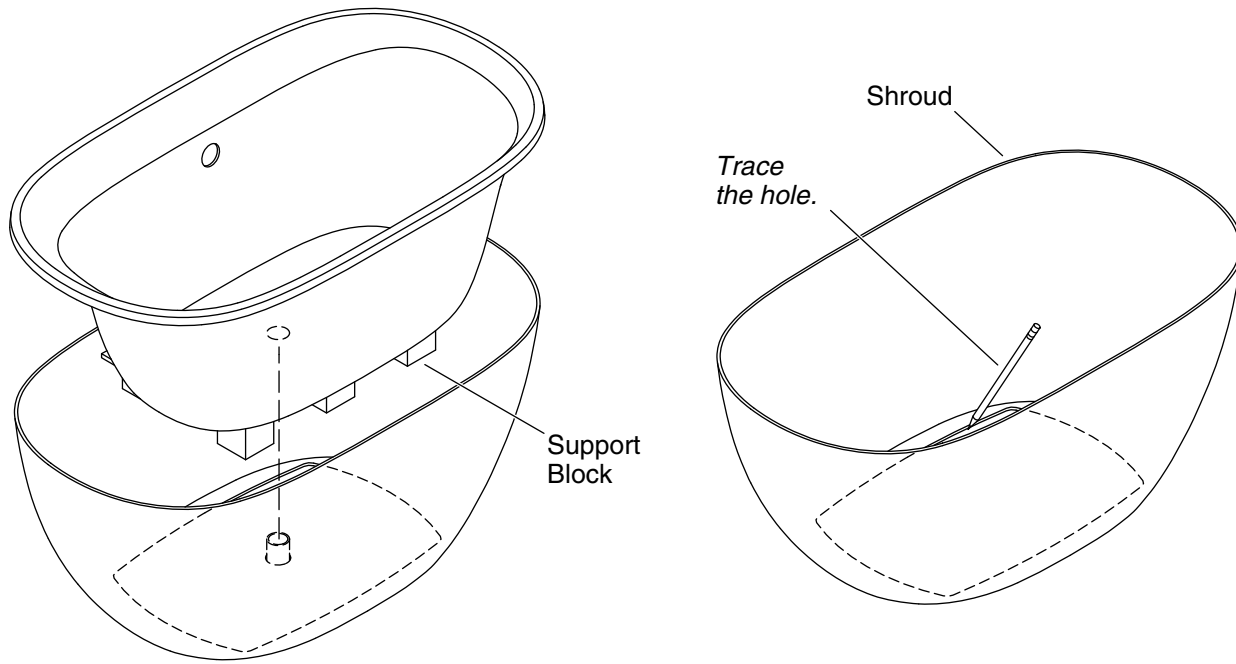
NOTICE: To accommodate the bath shroud, use flexible connections to attach the water supplies to a rim-mount faucet.

NOTICE: For rim-mount faucet installations, route the water supply lines high enough to permit access for making the final connections from above the shroud.

- Measure and cut a piece of 1/2" (13 mm) exterior grade plywood to support the faucet. The board should be 3" (76 mm) wide. The length should extend beyond the width of the faucet holes to ensure proper support.
- Locate the faucet in the desired location on the bath rim. Make sure the faucet trim fits on the bath rim without overhanging. Make sure that there is no interference above or below the rim before drilling any holes.
- Refer to the installation instructions packed with the faucet to determine faucet hole size.
- Use a pencil to mark the faucet hole centerlines. Do not drill the holes at this time.

CAUTION: Risk of product damage. To avoid scratching the bath, position a thin piece of cardboard under any clamps before tightening.

- Position the plywood on the underside of the rim, then clamp in place. Make sure that the clamps do not directly contact the finished surface of the bath.
- Carefully drill the faucet holes.
- Install the valve according to the installation instructions included with the valve. **Do not** install the faucet trim until instructed.

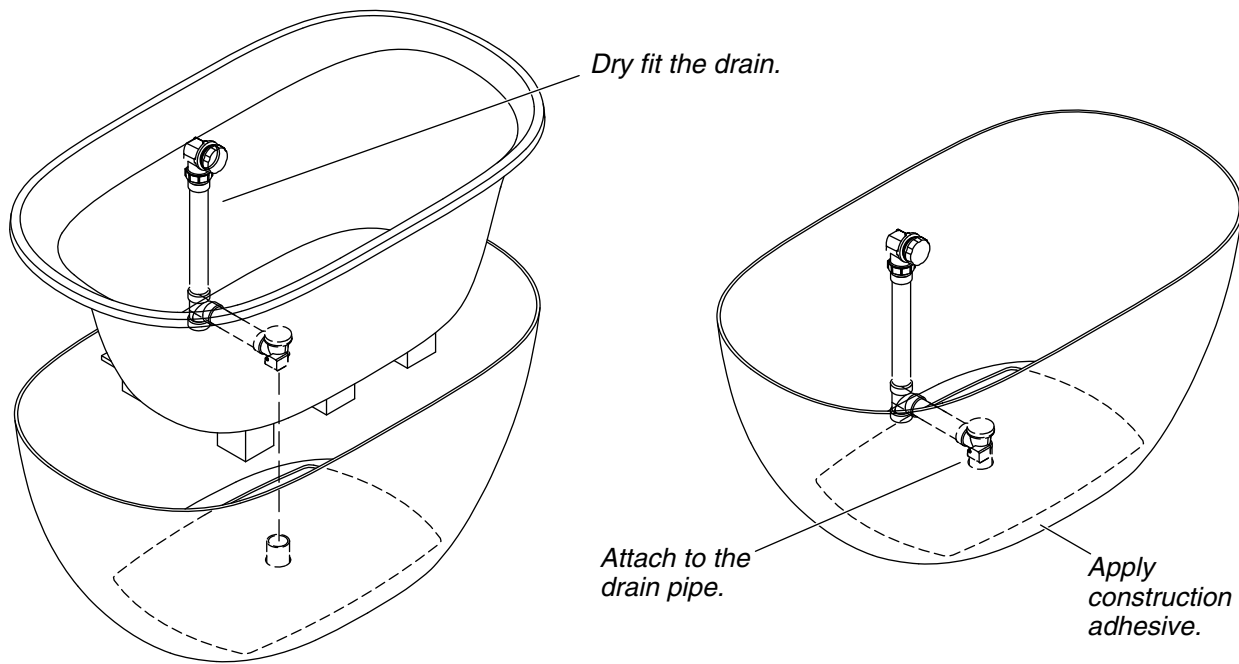


2. Prepare the Site

IMPORTANT! To ensure a successful installation, install the bath on a level, finished floor.

IMPORTANT! Make sure that the subfloor offers adequate support for the bath.

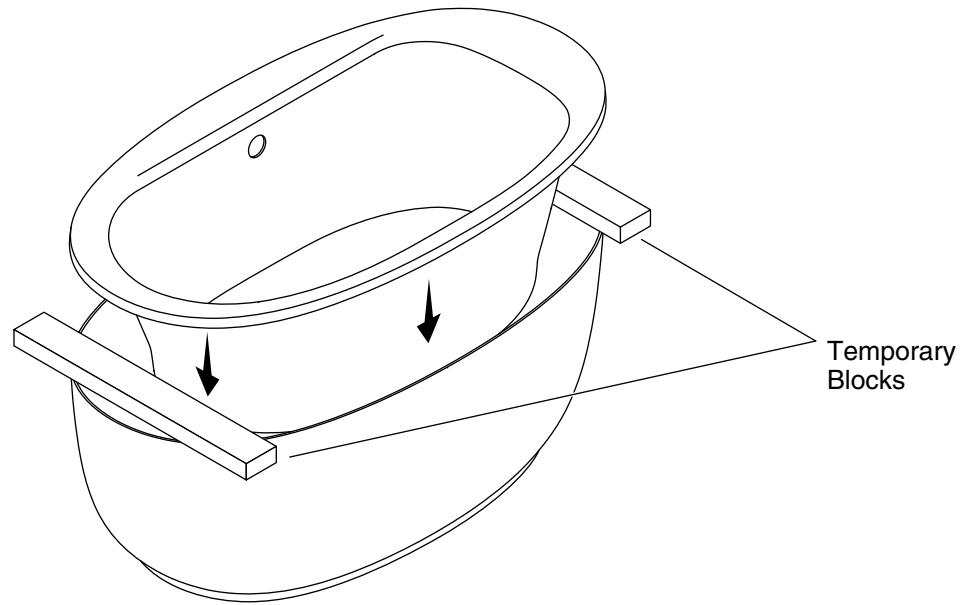
- Temporarily position the bath and shroud in the installation location.
- Verify that the bath drain hole aligns properly with the drain pipe. Adjust the shroud and bath position if necessary.
- Verify that the bath is level. Shim under the support blocks if necessary, and secure the shims to the blocks.
- Without moving the shroud, lift and remove the bath from the shroud.
- Trace the interior edge of the shroud on the floor.



3. Prepare the Bath

NOTICE: Refer to the drain instructions to dry fit the drain to the bath. **Do not cement and complete the drain installation until instructed.**

- Dry fit the drain assembly to the bath. Refer to the drain instructions. **Do not apply sealant or cement** to the drain components at this time.
- Loosen the drain and overflow connections from the bath, and remove the drain assembly from the bath.
- Dry fit the drain assembly to the drain pipe.
- With help, temporarily lift the bath into place in the shroud.
- Verify that the drain and overflow connections line up properly with the drain and overflow holes on the bath. Measure and record any adjustments needed to the drain or overflow tube lengths.
- Remove the bath and shroud, leaving the drain and overflow assembly attached to the drain pipe.
- Adjust the length of the drain tubes as needed to ensure drain alignment with the drain and overflow holes in the bath.
- Cement and assemble the drain and overflow components. Connect the drain tee to the drain pipe.
- Apply 100% silicone sealant to both sides of the drain and overflow gaskets.
- Apply slow-drying construction adhesive to the bottom of the shroud.
- Carefully position the shroud over the drain, aligning the hole with the traced mark on the floor.



4. Install the Bath

NOTE: To provide access for securing the connections, temporarily position blocks on opposing ends between the shroud and the bath rim.

- With help, carefully lift the bath into place over the shroud and onto the temporary blocks.
- Secure all drain connections and fittings according to the drain instructions.
- For a rim-mount faucet, install the faucet and trim according to the faucet and trim instructions. Make sure that there is adequate support under the bath rim to support the faucet. Refer to the "Prepare the Rim-Mount Faucet (Optional)" section.
- Carefully remove the blocks and make sure that the bath rim engages the top of the shroud on all sides.
- Install the drain flange and overflow cover according to the drain instructions.
- Close the bath drain. Fill the bath to the overflow, and check for leaks.
- Apply a thin, continuous bead of clear or color-matched 100% silicone sealant to the seam between the shroud and the finished floor.