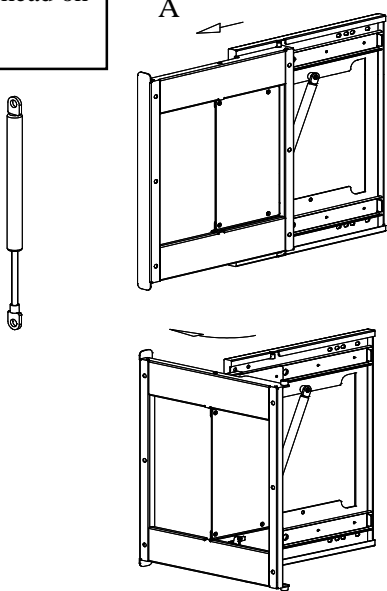


INSTALLATION INSTRUCTIONS

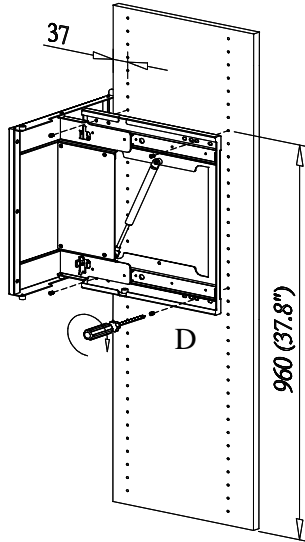
FOR POP OUT IRONING BOARD-Left

Step 1: Pull-out the mechanism and swivel.

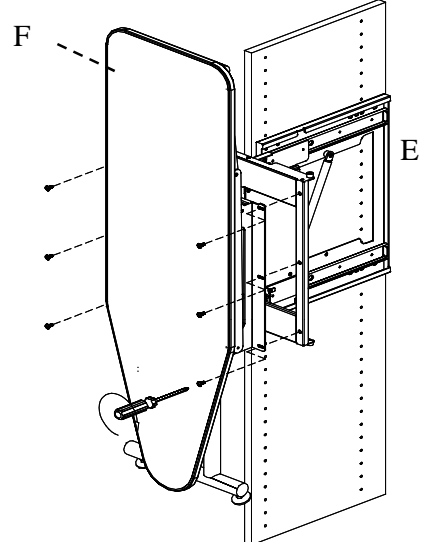
Keep piston big head on top.



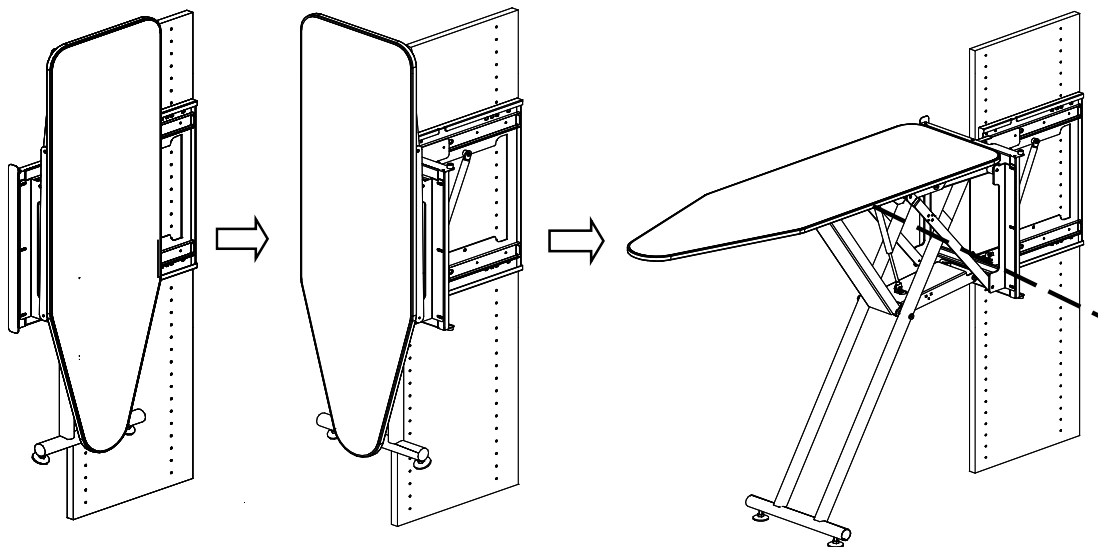
Step 2: Attach to partition using 4 euro screws(D), Top screw must be between 37.8" from the floor.



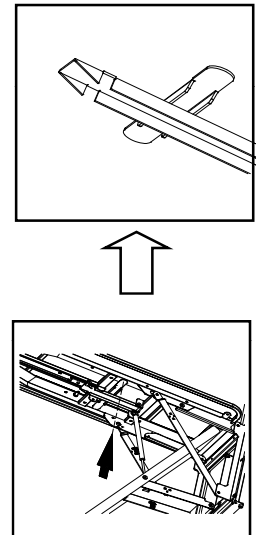
Step 3: Screw Ironing Board(F) to mechanism(A) using 6 machine screws(E).



Step 4: Finished



* Pull stoper to release
* Push board down to close



	Type	Q'ty	Type	Q'ty	Type	Q'ty	Type	Q'ty			
A		1pc	D		4pcs	E		6pcs	F		1pc



12400 Earl Jones Way
Louisville, KY 40299
rev-a-shelf.com
Customer Service: 800-626-1126