





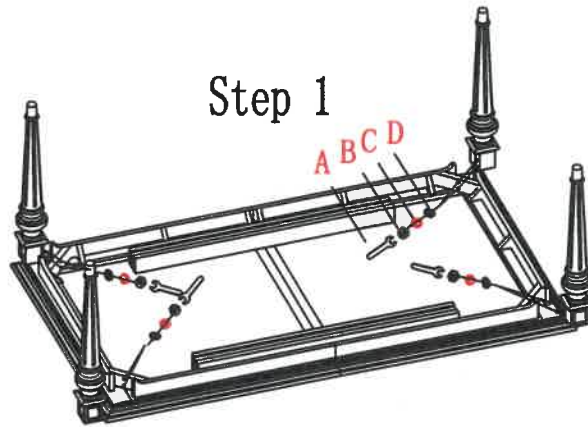
# HEKMAN

## ASSEMBLY INSTRUCTIONS

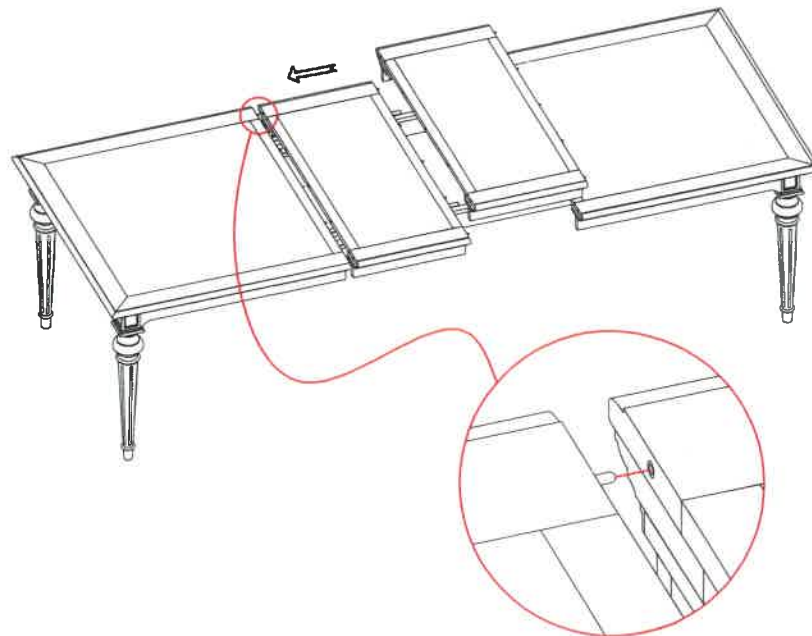
23320- Rectangle Dining Table

A HOWARD MILLER COMPANY

A			1Pc
B		3/8	8Pcs
C		3/8	8Pcs
D		3/8 *19	8Pcs



Step 2



MADE IN VIETNAM

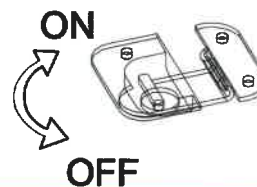
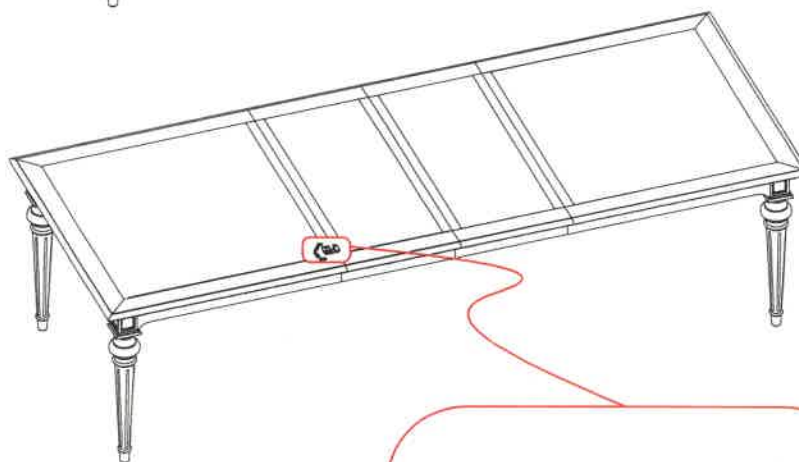
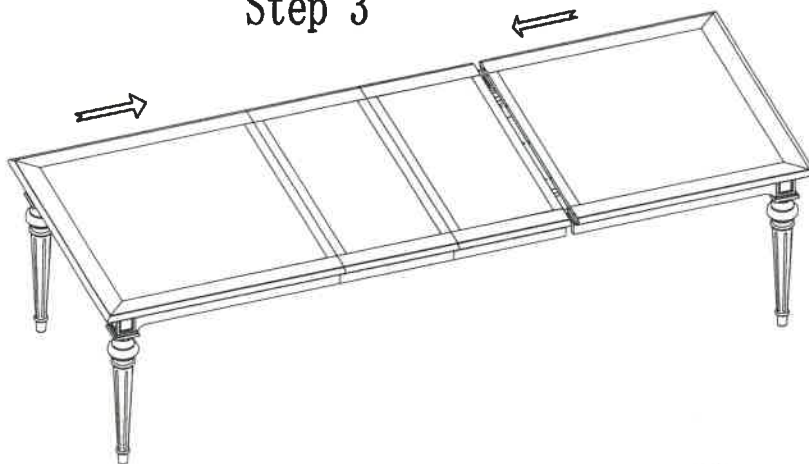
# HEKMAN

A HOWARD MILLER COMPANY

## ASSEMBLY INSTRUCTIONS

23320- Rectangle Dining Table

### Step 3



Place the table top upside down on soft and clean surface to prevent scratching

Step1: Assembly the legs to the table top with Nut (B), Lock Washer (D) and Washer (C) using wrench (A) .

Step 2: Set the table upright, open the latches under the table and pull the table open to insert leaves

Step 3: Push the table together & lock table hardware that is on bottom side of table top.

MADE IN VIETNAM