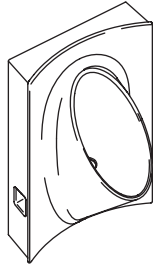


Installation Guide

Waterless Urinal

K-4919



M product numbers are for Mexico (i.e. K-12345**M**)
Los números de productos seguidos de
M corresponden a México (Ej.
K-12345**M**)
Français, page "Français-1"
Español, página "Español-1"

THE BOLD LOOK
OF **KOHLER**®

1048746-2-D

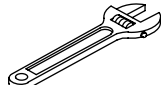
Tools and Materials



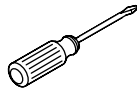
Safety Glasses



Tape Measure



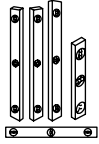
Adjustable Wrench



Blade Screwdriver



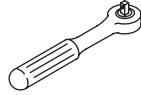
Pencil



Levels



Thread Sealant



1/4" Ratchet

Plus:

- Hole Cutting Equipment

Before You Begin

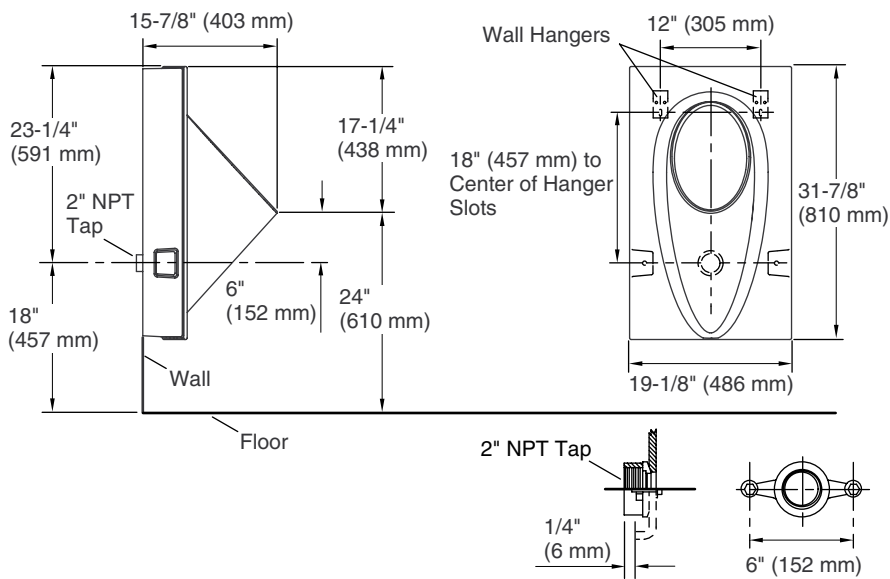


CAUTION: Risk of property damage. When connecting waterless urinals to the building drain waste vent system, do not use copper pipe or copper tube connectors. The use of a copper connector will result in corrosion of the connector and potential building structure damage caused by leakage.



CAUTION: Risk of personal injury. Handle this product with care. Vitreous china can break or chip if the product is handled carelessly.

- Observe all local plumbing and building codes.
- Carefully inspect the new urinal for damage.
- Roughing-in remains the same when using the optional 3" outlet spud.
- Fixture dimensions are nominal and conform to tolerances by ASME Standard A112.19.2.
- Site preparation may require additional tools and hardware.



Spud Detail

Roughing-In

- Roughing-in dimensions are identical if using an optional 3" outlet spud.
- The urinal complies with ADA requirements when the rim is mounted no higher than 17" (432 mm) from the finished floor.

1. Prepare the Site

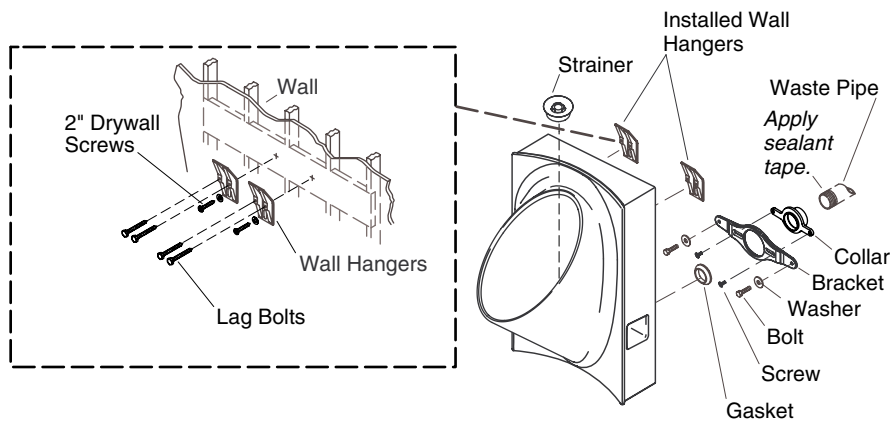
NOTE: If a pre-existing waste pipe will be used and will result in an acceptable rim height (refer to the rough-in dimensions), follow the retrofit installation instructions.

For Retrofit Installations

- Turn the water supply line off, remove the existing urinal, then cap off the water supply line inside the wall.

For New Installations

- Install waste pipe as necessary to conform to the roughing-in dimensions.
- Install adequate support framing for the wall hangers as needed.



2. Install the Urinal



CAUTION: Risk of personal injury. Handle with care. Vitreous china can break or chip if the product is handled carelessly.

IMPORTANT! Do not overtighten the bolts.

For Retrofit Installations

NOTE: The lip height of the urinal will be 6" (152 mm) above the center of the outlet location. If this lip height is not acceptable, relocate the outlet to achieve an acceptable lip height. The existing collar may be used with the bracket.

For New Installations

- Install the hangers at the vertical dimension above the outlet hole shown on the roughing-in illustration.
- Apply thread sealant tape to the pipe threads on the drain and install the collar to the drain.

For All Installations

- Reference the installation template and position each wall hanger at the vertical dimension above the outlet hole shown on the template. To allow for vertical adjustment, place initial screws through the center of the slots on the wall hangers.
- Apply thread sealant tape to the threads on the waste pipe, then install the collar to the waste pipe.

Install the Urinal (cont.)

- Center the bracket on top of the collar. Secure two screws through the slots on the bracket and into the threaded holes on the collar.
- With the beveled surface of the gasket facing away from the collar, seat the gasket firmly against the collar.
- Carefully position the urinal on the wall hangers.
- Verify the urinal is properly positioned, then remove the urinal from the wall.

NOTE: If adjustment is necessary, make vertical adjustments along the slots on each wall hanger until the urinal can be tightened to the collar.

- Install permanent screws or lag bolts into the holes on the wall hangers, as shown on the installation template.
- Carefully position the urinal on the wall hangers, then secure the urinal to the bracket using the washers and bolts provided.

3. Complete the Installation

- Pour 1/2 gallon (1.89 L) of water into the trapway.
- Check for leaks. Repair as needed.
- Pour 3 ounces (89 ml) of sealing liquid (provided) into the trapway. The sealing liquid will float on top of the water in the trapway.
- Position the strainer in the drain hole.
- Set the urinal ball in the urinal.