




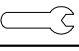



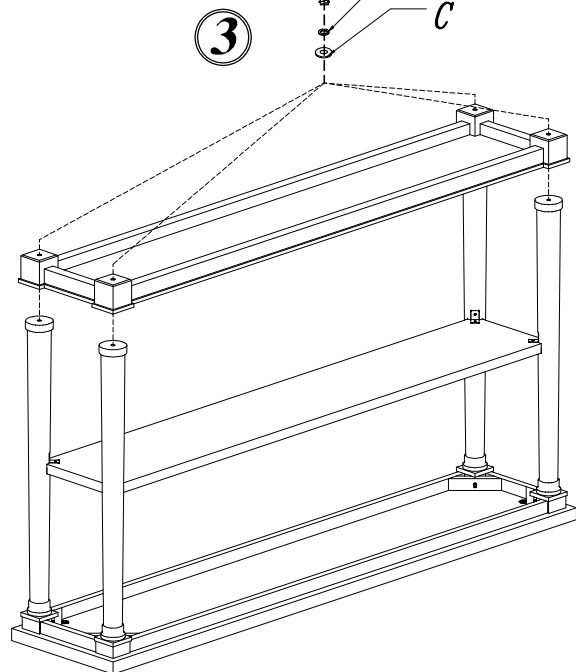
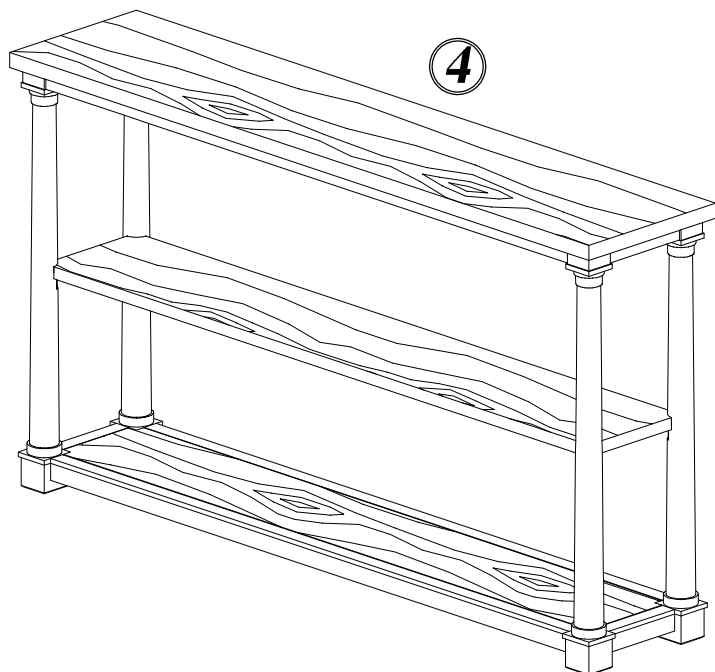
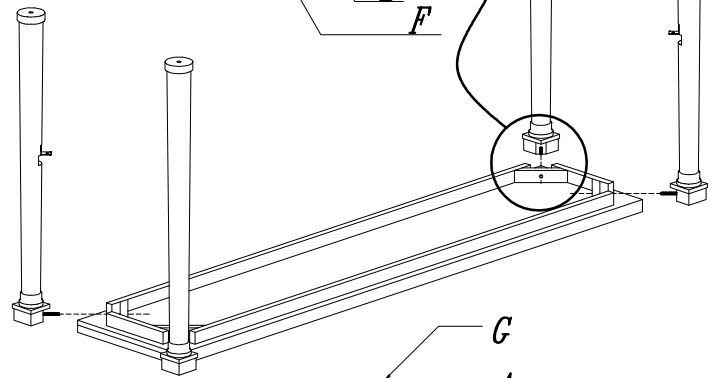
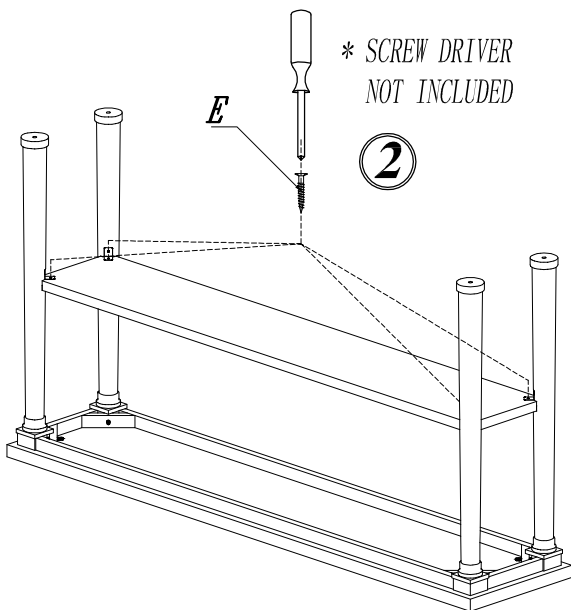
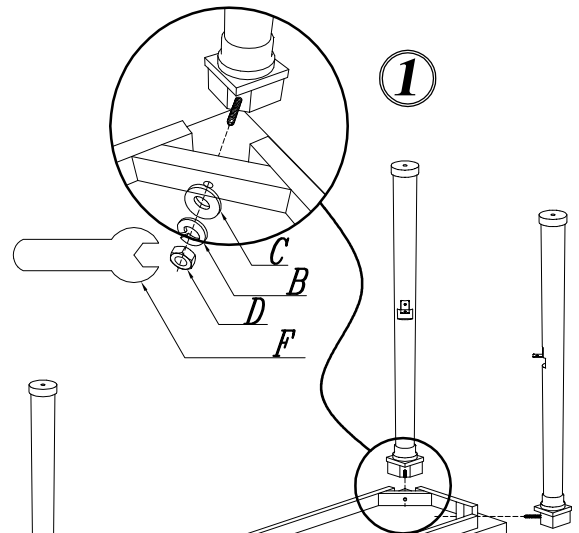
# HEKMAN

A HOWARD MILLER COMPANY

## ASSEMBLY INSTRUCTIONS

25607 - SOFA TABLE

NO.	Hardware List		Q'ty
A		Bolt 5/16" * 80mm L	4
B		Lock Washer	8
C		Flat Washer	8
D		Nut m8	4
E		Screw 6 * 1/2"	4
F		Wrench	1
G		Wrench 3/16" Dia*4-3/4" L	1



MADE IN INDONESIA