

Installation Guide

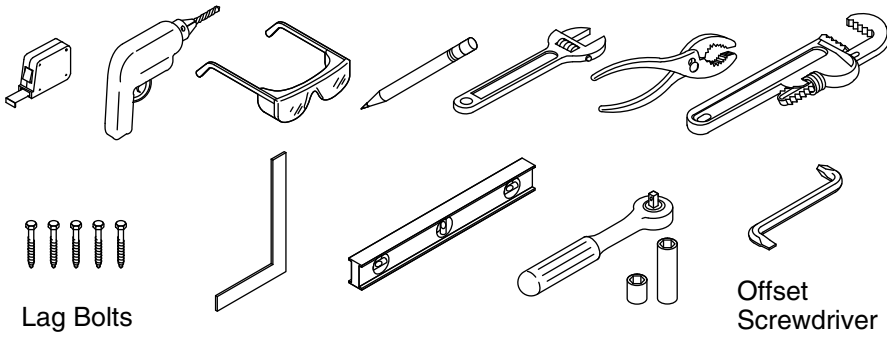
Bathroom Sink with Shroud

Français, page "Français-1"
Español, página "Español-1"

1015627-2-E

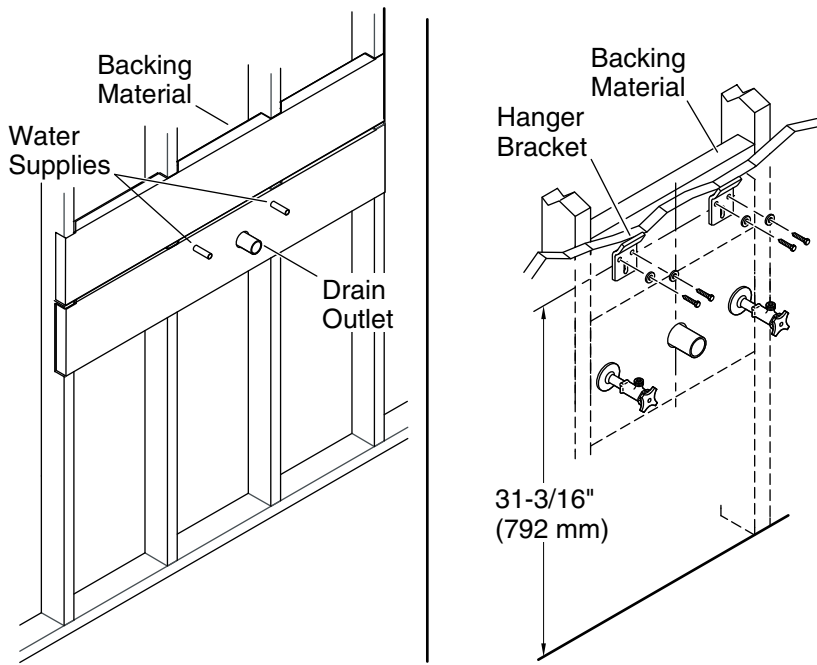
THE BOLD LOOK
OF **KOHLER**®

Tools and Materials



Before You Begin

- Observe all local plumbing and building codes.
- Before installation, unpack the new bathroom sink and inspect it for damage. Return the sink to its protective carton until you are ready to install it.
- These instructions are for installing the sink to wood frame construction. For other installations, supply suitable bracing and fastening devices of sufficient size and strength.
- Ensure that the walls and the floor are square, plumb, and level before proceeding with the installation.
- Fixture dimensions are nominal and conform to tolerances in ASME A112.19.2/CSA B45.1.



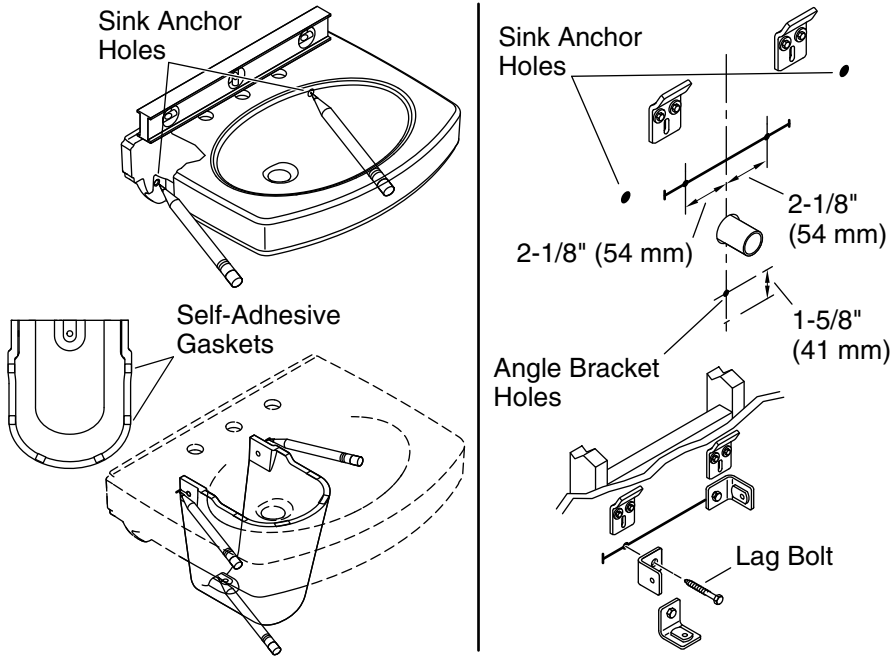
1. Prepare the Site

NOTICE: Refer to the roughing-in information in the product specification sheet.

- Install the water supplies and drain piping according to the roughing-in information. Install the supply stops so the handles will not touch the shroud when fully open.
- Install sufficient backing behind the finished wall to provide a secure material for the hanger bracket and angle brackets.
- Install the finished wall.
- On the finished wall, draw a vertical centerline that is plumb and that runs through the drain outlet location.
- Measure 31-3/16" (792 mm) from the floor and mark the centerline. Use a level to draw a horizontal line at the marked location.
- Make pencil marks 4" (102 mm) to the left and right of the centerline.

Prepare the Site (cont.)

- Use lag bolts (not provided) to install the hanger brackets to the wall at the marked locations. Make sure that the hanger brackets are level and are secured to the backing material behind the finished wall.



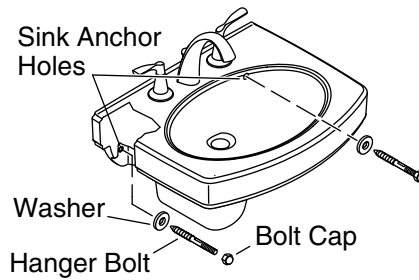
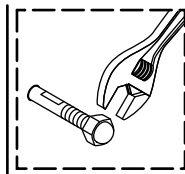
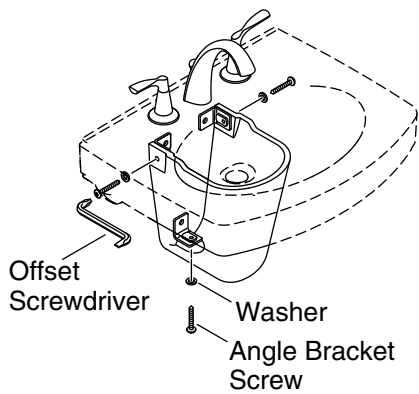
2. Install the Angle Brackets

NOTE: This product is heavy. Get help when lifting and securing the sink and shroud.

- With assistance, carefully lift the sink into place on the hanger brackets and level the sink. Adjust the hanger brackets as needed.
- On the underside of the sink, locate and mark the sink anchor holes on the finished wall.
- Apply six self-adhesive gaskets to the top of the shroud as shown.
- With assistance, carefully position and center the shroud tight against the underside of the sink. Mark the three shroud hole locations on the finished wall.
- Carefully remove the shroud and sink.
- Draw a level line connecting the top shroud hole marks. Measure 2-1/8" (54 mm) on each side of the centerline to mark the top two angle bracket holes.
- For the bottom angle bracket hole, measure and mark the centerline 1-5/8" (41 mm) above the bottom shroud hole mark.

Install the Angle Brackets (cont.)

- Use lag bolts (not provided) to secure the three angle brackets to the wall at the marked locations.



3. Install the Sink and Shroud

IMPORTANT! The sink **must** be supported by the hanger brackets.

- Drill 1/4" sink anchor holes at the marked locations.
- Carefully set the sink on the hanger brackets. Level the sink.
- Install the faucet and drain to the sink according to the manufacturer's instructions.
- Connect and tighten the trapway to the drain. Complete the water supply connections to the faucet according to the instructions packed with the faucet.

NOTICE: Risk of product damage. Vitreous material can crack or chip. Do not overtighten the hanger bolts or angle bracket screws.

- Carefully position the shroud under the sink.
- Partially thread the angle bracket screws. For a snug fit against the sink, tighten the bottom screw first. Then, use an offset screwdriver to tighten the top screws. **Do not overtighten!**
- Thread the bolt caps onto the hanger bolts. Secure the sink to the wall with the hanger bolts and washers. Tighten until snug. **Do not overtighten!**