

## NEWPORT BATH

### Features

Solid brass construction  
Contemporary styling  
Multi-function engine with 3 spray modes  
Rubber nozzles facilitate easy cleaning  
1/2" NPSM inlet fitting  
4" (10.2 cm) showerhead diameter  
1.8 GPM (6.8 LPM) Max

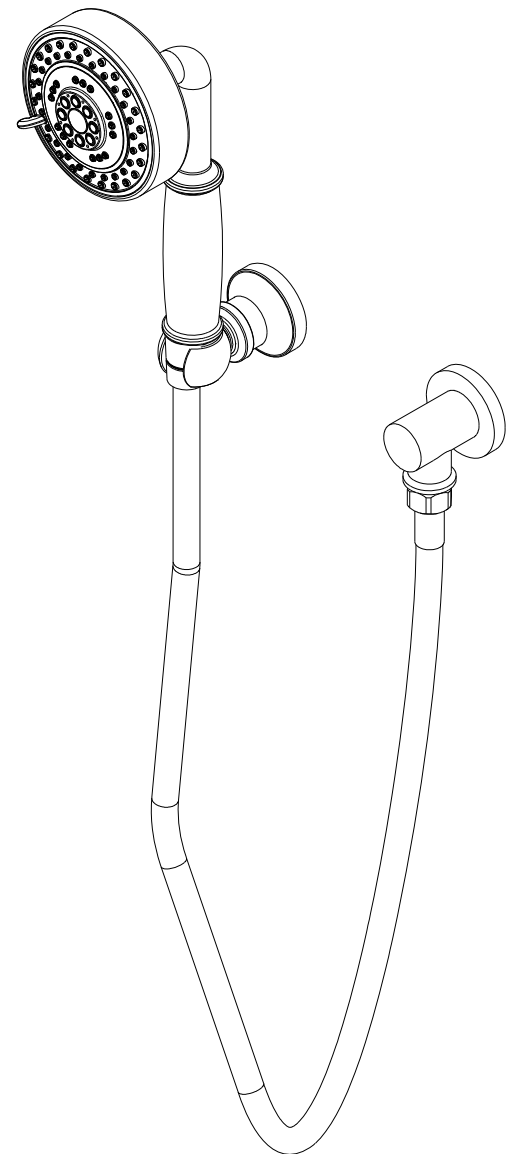
### Codes / Standards Compliance

Meets or exceeds the following at date of manufacture:

ASME A112.18.1/CSA B125.1-18  
IAPMO/cUPC  
IPC  
Energy Policy Act of 1992  
EPA WaterSense  
California Energy Commission  
ASME A112.18.3 (Back Flow)  
ASSE 1016  
All applicable US Federal and State material regulations

### HANDSHOWER SET

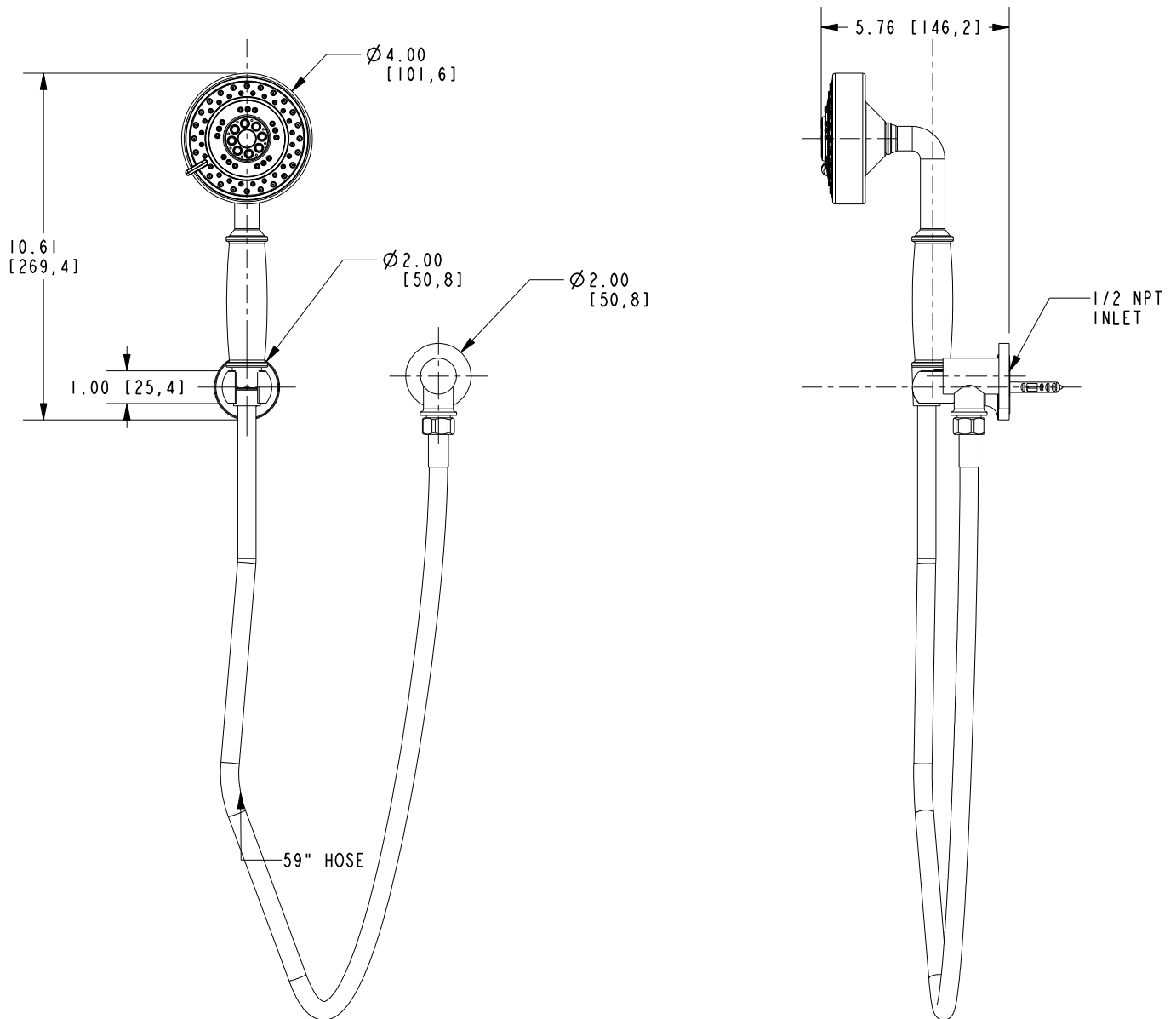
# 280H



# 280H

## PRODUCT DIMENSIONS *(Units are in inches)*

Product Dimensions are provided for reference only. For specific product installation guidelines, please reference the Installation Instructions of the product being installed.



HANDSHOWER SET

**280H**

Page 2 of 2  
EN- 5005-1  
REV D

**NEWPORT BRASS**  
Flawless Beauty. From Faucet to Finish.

t: 949.417.5207 | [www.newportbrass.com](http://www.newportbrass.com)  
©2025 NewportBrass